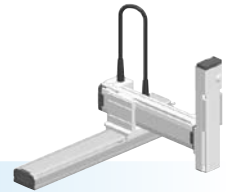


● Moving arm type

● Whipover

● Z-axis: clamped base / moving table type (200W)



### Ordering method

**SXYx - S** - **ZFL20** - **RCX340-3**

Model	Cable	Combination	X-axis stroke <sup>Note 1</sup>	Y-axis stroke <sup>Note 1</sup>	ZR-axis	Z-axis stroke	Cable	Controller / Number of controllable axes	Safety standard	Option A (OP.A)	Option B (OP.B)	Option C (OP.C)	Option D (OP.D)	Option E (OP.E)	Absolute battery
		M1 M3	15 to 85cm	15 to 35cm		15 to 35cm	3L: 3.5m 5L: 5m 10L: 10m	Specify various controller setting items. RCX340 ▶ P.678							

Note 1. The total of the X and Y strokes should be 1000mm or less.

### Specification

	X-axis	Y-axis	Z-axis
Axis construction <sup>Note 1</sup>	F14H	F14	F10H-BK
AC servo motor output (W)	200	100	200
Repeatability <sup>Note 2</sup> (mm)	+/-0.01	+/-0.01	+/-0.01
Drive system	Ball screw φ15	Ball screw φ15	Ball screw φ15
Ball screw lead <sup>Note 3</sup> (Deceleration ratio) (mm)	20	20	20
Maximum speed <sup>Note 4</sup> (mm/sec)	1200	1200	1200
Moving range (mm)	150 to 850	150 to 350	150 to 350
Robot cable length (m)	Standard: 3.5 Option: 5,10		

Note 1. Use caution that the flame machining (installation holes, tap holes) differs from single-axis robots.

Note 2. Positioning repeatability in one direction.

Note 3. Leads not listed in the catalog are also available. Contact us for details.

Note 4. When the X-axis stroke is longer than 750mm, resonance of the ball screw may occur depending on the operation conditions (critical speed). In this case, reduce the speed setting on the program by referring to the maximum speeds shown in the table below.

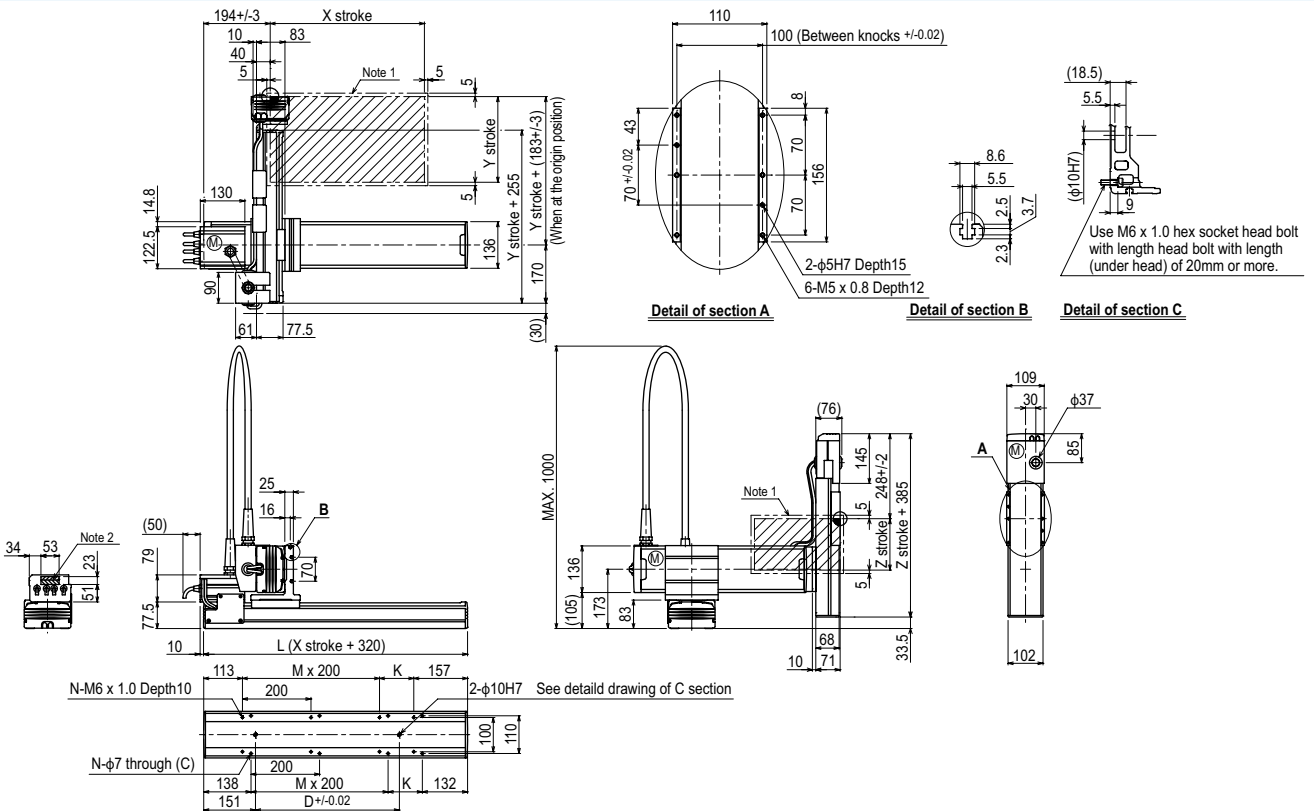
### Maximum payload (kg)

Y stroke (mm)	Z stroke (mm)		
	150	250	350
150	8	8	7
250	8	7	6
350	7	6	5

### Controller

Controller	Operation method
RCX340	Programming / I/O point trace / Remote command / Operation using RS-232C communication

### SXYx 3 axes / ZFL20 M1



X stroke <sup>Note 3</sup>	150	250	350	450	550	650	750	850	
	L	470	570	670	770	870	970	1070	1170
A	200	100	200	100	200	100	200	100	
D	240	240	420	420	600	600	780	960	
M	0	1	1	2	2	3	3	4	
N	4	6	6	8	8	10	10	12	
Y stroke <sup>Note 3</sup>	150	250	350						
Z stroke	150	250	350						
Maximum speed for each stroke (mm/sec) <sup>Note 4</sup>	X-axis	1200			960	780			
	Speed setting	-			80%	65%			

Note 1. The moving range when returning to origin and the stop position when stopping by the mechanical stopper.

Note 2. The shaded position indicates a user cable extraction port.

Note 3. The total of the X and Y strokes should be 1000mm or less.

Note 4. When the X-axis stroke is longer than 750mm, resonance of the ball screw may occur depending on the operation conditions (critical speed). In this case, reduce the speed setting on the program by referring to the maximum speeds shown in the table at the left.