

YK350XGC

Clean type: Small type

- Arm length 350mm
- Maximum payload 4kg

Ordering method

YK350XGC - 150 **S** **RCX340-4**

Model	Z axis stroke	Tool flange	Hollow shaft	Cable length	Controller / Number of controllable axes	Safety standard	Option A (OP.A)	Option B (OP.B)	Option C (OP.C)	Option D (OP.D)	Option E (OP.E)	Absolute battery
	150: 150mm	No entry: None F: With tool flange	S: With hollow shaft	3L: 3.5m 5L: 5m 10L: 10m								

Specify various controller setting items. RCX340 ▶ **P.678**

Basic specifications

	X axis	Y axis	Z axis	R axis
Axis specifications				
Arm length (mm)	200	150	150	-
Rotation angle (°)	+/-129	+/-134	-	+/-360
AC servo motor output (W)	200	150	50	100
Repeatability ^{Note 1} (XYZ: mm) (R: °)	+/-0.01		+/-0.01	+/-0.004
Maximum speed (XYZ: m/sec) (R: °/sec)	5.6		1.1	1020
Maximum payload (kg)	4			
Standard cycle time: with 2kg payload (sec) ^{Note 2}	0.52			
R-axis tolerable moment of inertia ^{Note 3} (kgm ²)	0.05			
User wiring (sq x wires)	0.2x10			
User tubing (Outer diameter)	φ4x4			
Travel limit	1.Soft limit, 2.Mechanical stopper (X, Y, Z axes)			
Robot cable length (m)	Standard: 3.5 Option: 5, 10			
Weight (kg)	22			
Degree of cleanliness	ISO CLASS 3 (ISO 14644-1) ^{Note 4} +ESD ^{Note 5}			
Intake air (Nl/min)	30 ^{Note 6}			

- Note 1. This is the value at a constant ambient temperature. (X,Y axes)
 Note 2. When reciprocating 25mm in vertical direction and 300mm in horizontal direction (rough-positioning arch motion).
 Note 3. The acceleration coefficient is set automatically in accordance with the tip weight and R-axis moment of inertia settings.
 Note 4. Class 10 (0.1μm) equivalent to FED-STD-209D
 Note 5. ESD (ElectroStatic Discharge) prevention is an option. Please contact our distributor.
 Note 6. The necessary intake amount varies depending on the use conditions and environment.

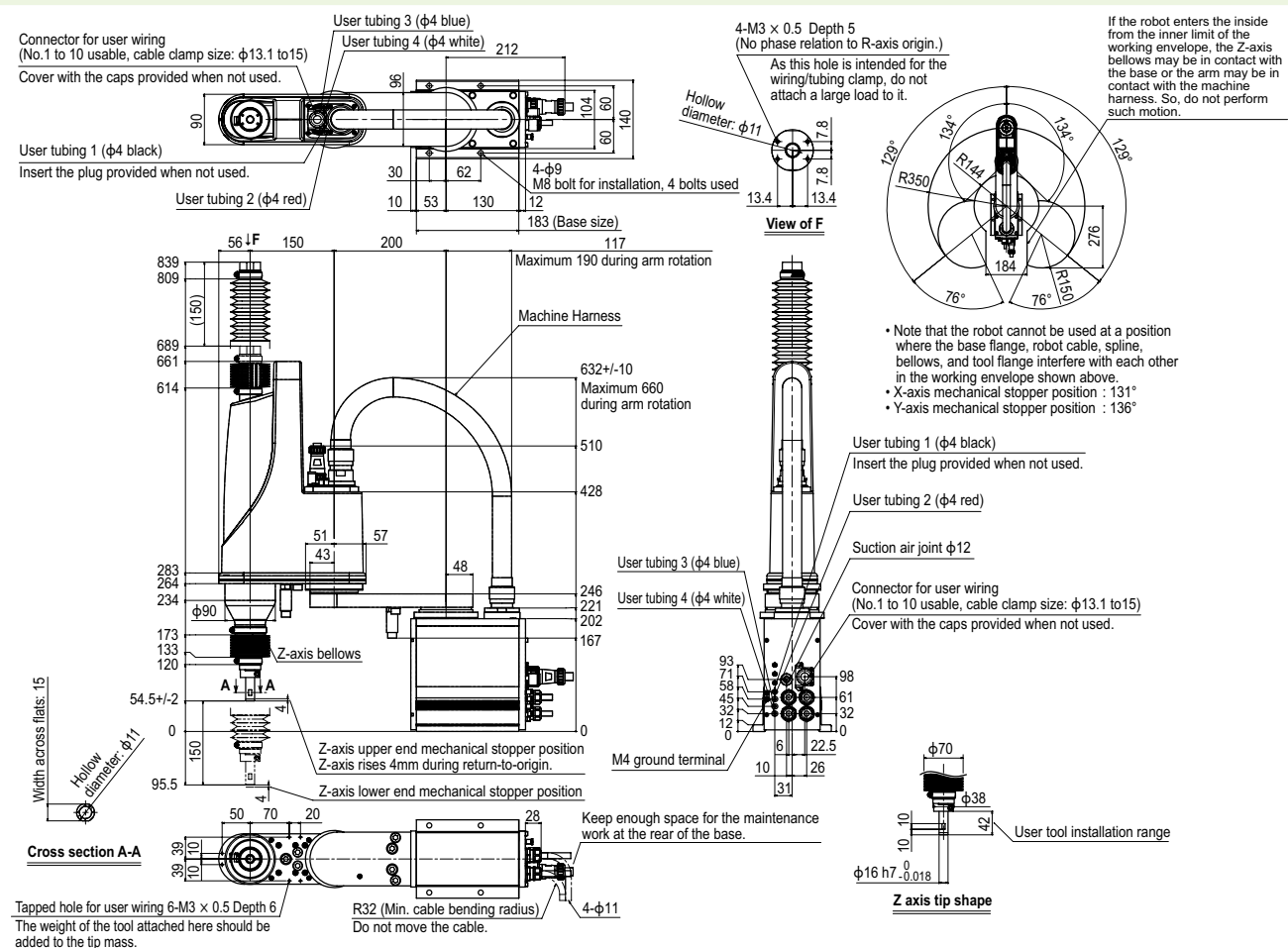
Controller

Controller	Power capacity (VA)	Operation method
RCX340	1000	Programming / I/O point trace / Remote command / Operation using RS-232C communication

- Note. The movement range can be limited by changing the positions of X and Y axis mechanical stoppers. (The movement range is set to the maximum at the time of shipment.)
 See our robot manuals (installation manuals) for detailed information.
 Note. To set the standard coordinates with high accuracy, use a standard coordinate setting jig (option). Refer to the user's manual (installation manual) for more details.

Our robot manuals (installation manuals) can be downloaded from our website at the address below:
<https://global.yamaha-motor.com/business/robot/>

YK350XGC



YA	Articulated robots
LCM	Linear conveyor modules
CX	Single-axis robots
Robonity	Motor-less single axis actuator
TRANSERO	Compact single-axis robots
FLIP-X	Single-axis robots
PHASER	Linear motor single-axis robots
XY-X	Cartesian robots
YK-X	SCARA robots
YP-X	Pick & place robots
CLEAN	CLEAN
CONTROLLER	CONTROLLER
INFORMATION	INFORMATION
Single-axis	Single-axis
Cartesian	Cartesian
SCARA	SCARA

YK350XGC Tool flange mount type

