

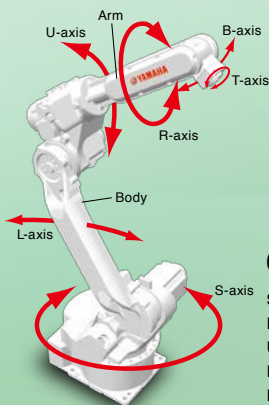
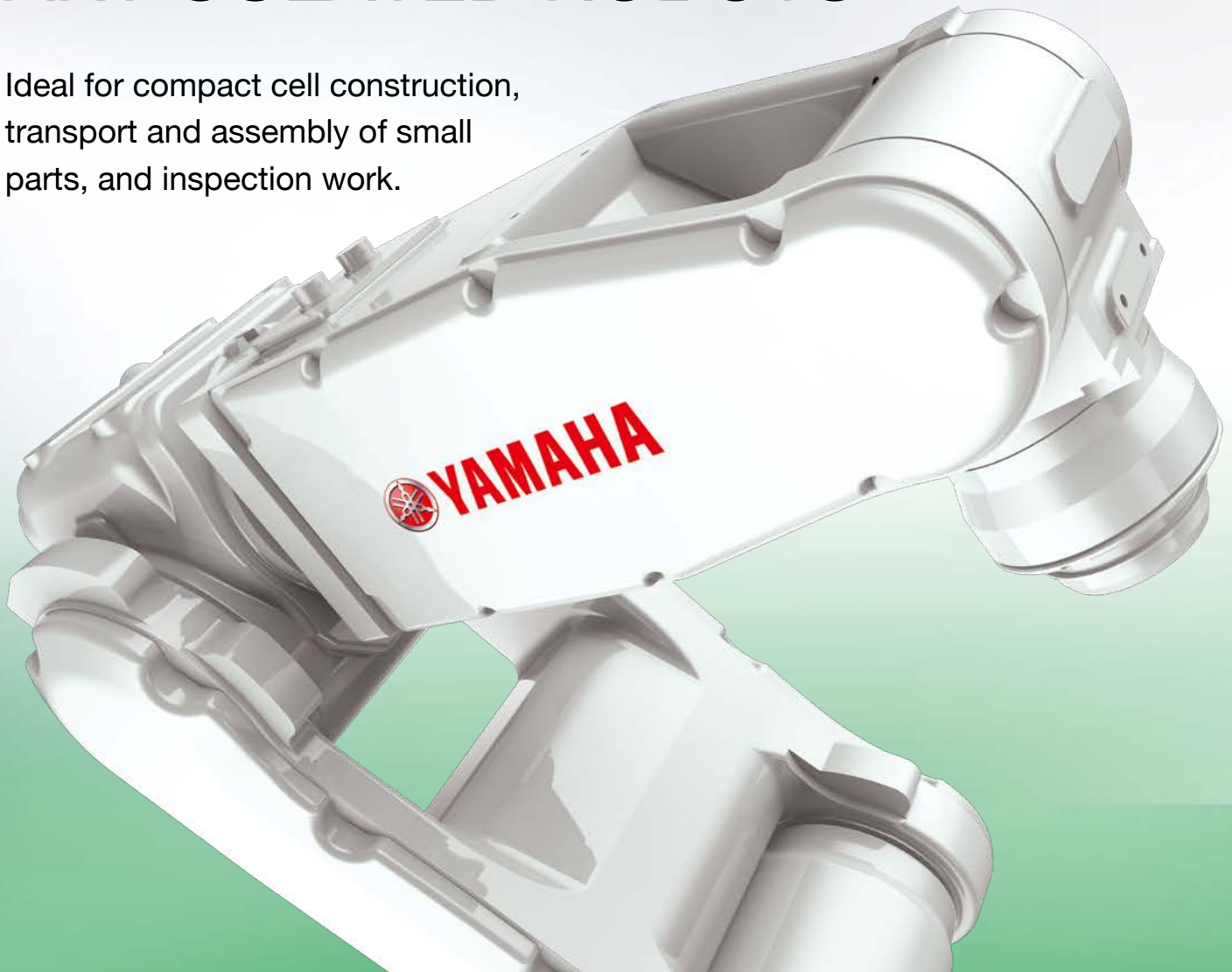
YA Series

Product Lineup

The YA series does not comply with the EU RoHS directive.

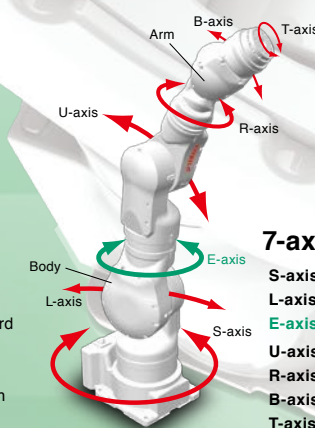
ARTICULATED ROBOTS

Ideal for compact cell construction, transport and assembly of small parts, and inspection work.



6-axis robots

- S-axis:** Rotate the body horizontally
- L-axis:** Move the body forward/backward
- U-axis:** Move the arm up/down
- R-axis:** Rotate the arm
- B-axis:** Move the tip of the arm up/down
- T-axis:** Rotate the tip of the arm



7-axis robots

- S-axis:** Rotate the body horizontally
- L-axis:** Move the body forward/backward
- E-axis:** Twist the arm
- U-axis:** Move the arm up/down
- R-axis:** Rotate the arm
- B-axis:** Move the tip of the arm up/down
- T-axis:** Rotate the tip of the arm

Reduce personnel, increase productivity

6-axis



7-axis



Type	Model	Application	Number of axes	Payload (kg)	Vertical reach (mm)	Horizontal reach (mm)	Page
6-axis	YA-RJ	Handling (general)	6-axis	1 kg (max. 2 kg ^{Note})	909	545	P.149
	YA-R3F			3	804	532	P.150
	YA-R5F			5	1193	706	P.151
	YA-R5LF			5	1560	895	P.152
	YA-R6F			6	2486	1422	P.153
7-axis	YA-U5F	Assembly / Placement	7-axis	5	1007	559	P.154
	YA-U10F			10	1203	720	P.155
	YA-U20F			20	1498	910	P.156

Note. When a load is more than 1 kg, the motion range will be smaller. Use the robot within the recommended motion range.

POINT

High-speed operation reduces cycle time

Thanks to high-speed, low-inertia AC servo motors, an arm designed for light weight, and the latest control technology, these robots achieve an operating speed that is best in their class. From supply, assembly, inspection, and packing to palletization, all applications can enjoy shorter cycle time and improved productivity.

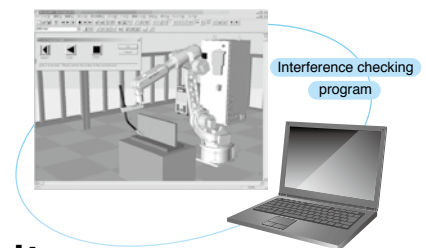
Workpieces with a high wrist load are also supported

With a wrist section that has the highest allowable moment of inertia in its class, these robots can support jobs involving a high wrist load, or simultaneous handling of multiple workpieces.

Robot simulator dramatically reduces startup time

We provide software that lets you use 3D CAD data to construct a production facility in virtual space in a personal computer, and easily perform engineering tasks such as creating programs and checking for robot interference. Teaching can be performed even before the actual production line is completed, dramatically reducing line startup time.

Note. Optional support



Free arm movement further boosts productivity.

7-axis Reduced space allows sophisticated system layouts

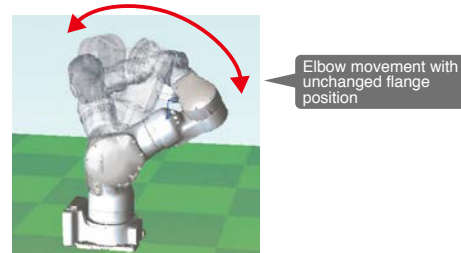
Since these robots can be installed close to workpieces or other equipment, you can reduce the space required for your production facility. By locating multiple robots close to each other, processing can be integrated and shortened.

7-axis Access the workpiece from the opposite side or from below

Rotation of the seventh axis enables flexible movement with the same freedom of motion as a human arm, allowing the workpiece to be accessed from the opposite side or from below. This allows the robot to enter narrow locations that a person could not fit in, or to approach the workpiece in a way that avoids obstructions, giving you more freedom to design the layout for shorter cycle time and reduced space.

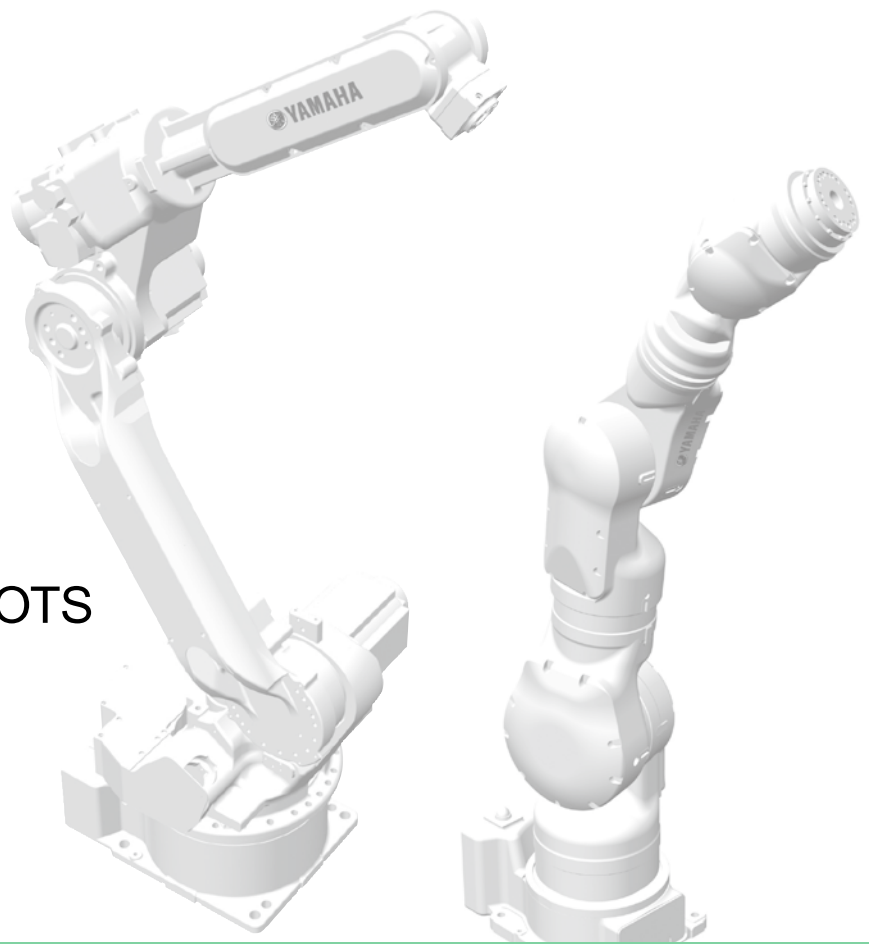
7-axis "Elbow movement" unique to 7-axis models allows optimal posture to be maintained

The 7-axis U-type robots allow "elbow movement," changing only the elbow angle without affecting the position or posture of the tool. This permits operation to avoid nearby obstructions.



ARTICULATED ROBOTS

YA SERIES



CONTENTS

■ YA SERIES MANIPULATOR SPECIFICATIONS 148

6-axis

YA-RJ	149
YA-R3F	150
YA-R5F	151
YA-R5LF	152
YA-R6F	153

7-axis









YA-U5F	154
YA-U10F	155
YA-U20F	156

■ YAC100 Specifications 157

■ Accessories and part options ... 158

Articulated robots YA
Linear conveyor modules LCM
Single-axis robots CX
Motor-less single axis actuator Robonity
Compact single-axis robots TRANSEVO
Single-axis robots FLIP-X
Linear motor single-axis robots PHASER
Cartesian robots XY-X
SCARA robots YK-X
Pick & place robots YP-X
CLEAN
CONTROLLER
INFORMATION

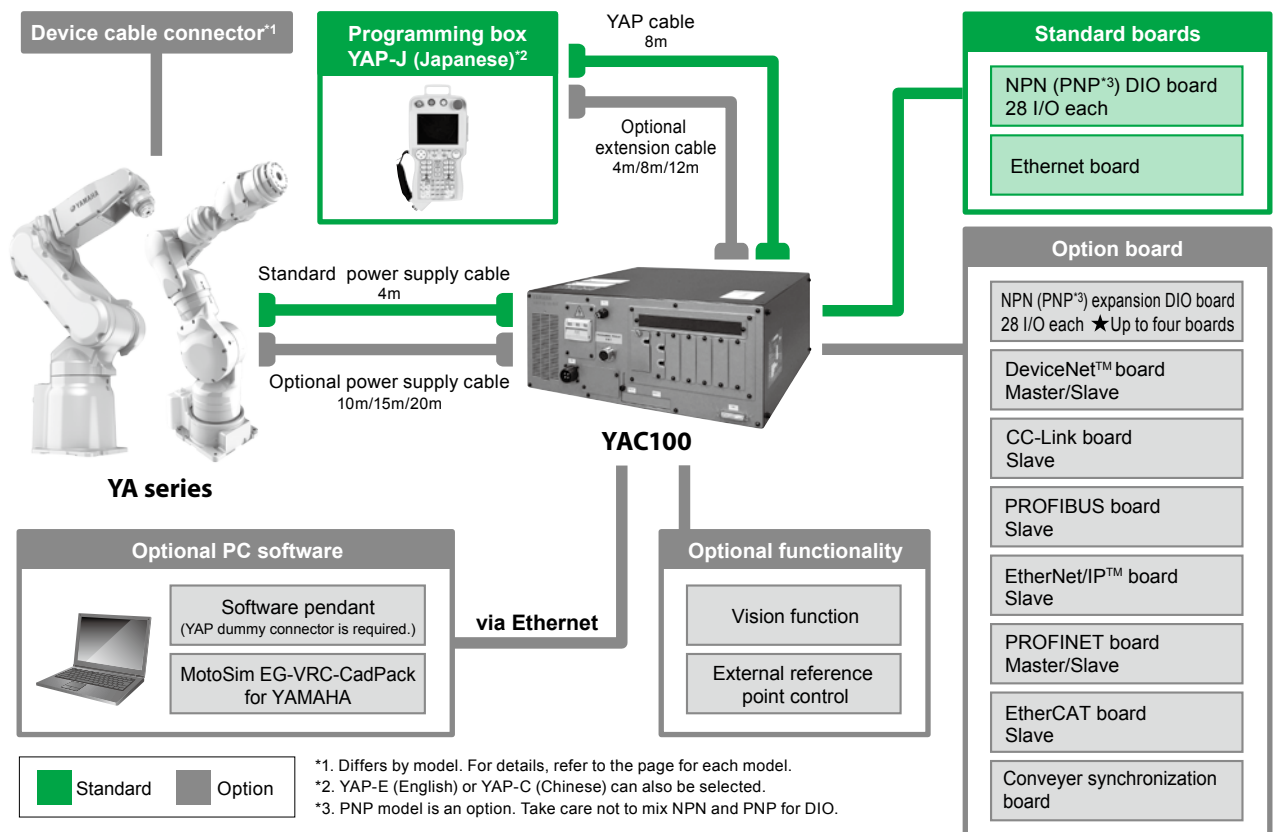
YA SERIES MANIPULATOR SPECIFICATIONS

	6-axis					7-axis			
Applications	Handling (general)					Assembly / Placement			
									
	YA-RJ	YA-R3F	YA-R5F	YA-R5LF	YA-R6F	YA-U5F	YA-U10F	YA-U20F	
Number of axes	6	6	6	6	6	7	7	7	
Payload	1 kg (max. 2 kg ^{Note 2})	3 kg	5 kg	5 kg	6 kg	5 kg	10 kg	20 kg	
Vertical reach	909 mm	804 mm	1193 mm	1560 mm	2486 mm	1007 mm	1203 mm	1498 mm	
Horizontal reach	545 mm	532 mm	706 mm	895 mm	1422 mm	559 mm	720 mm	910 mm	
Repeatability	+/-0.03 mm	+/-0.03 mm	+/-0.02 mm	+/-0.03 mm	+/-0.08 mm	+/-0.06 mm	+/-0.1 mm	+/-0.1 mm	
Range of Motion	S-axis (turning)	-160° to +160°	-160° to +160°	-170° to +170°	-170° to +170°	-170° to +170°	-180° to +180°	-180° to +180°	-180° to +180°
	L-axis (lower Arm)	-90° to +110°	-85° to +90°	-65° to +150°	-65° to +150°	-90° to +155°	-110° to +110°	-110° to +110°	-110° to +110°
	E-axis (elbow twist)	-	-	-	-	-	-170° to +170°	-170° to +170°	-170° to +170°
	U-axis (upper arm)	-290° to +105°	-105° to +260°	-136° to +255°	-138° to +255°	-175° to +250°	-90° to +115°	-135° to +135°	-130° to +130°
	R-axis (wrist roll)	-180° to +180°	-170° to +170°	-190° to +190°	-190° to +190°	-180° to +180°	-180° to +180°	-180° to +180°	-180° to +180°
	B-axis (wrist pitch/yaw)	-130° to +130°	-120° to +120°	-135° to +135°	-135° to +135°	-45° to +225°	-110° to +110°	-110° to +110°	-110° to +110°
	T-axis (wrist twist)	-360° to +360°	-360° to +360°	-360° to +360°	-360° to +360°	-360° to +360°	-180° to +180°	-180° to +180°	-180° to +180°
Maximum Speed	S-axis (turning)	160°/s	200°/s	376°/s	270°/s	220°/s	200°/s	170°/s	130°/s
	L-axis (lower Arm)	130°/s	150°/s	350°/s	280°/s	200°/s	200°/s	170°/s	130°/s
	E-axis (elbow twist)	-	-	-	-	-	200°/s	170°/s	170°/s
	U-axis (upper arm)	200°/s	190°/s	400°/s	300°/s	220°/s	200°/s	170°/s	170°/s
	R-axis (wrist roll)	300°/s	300°/s	450°/s	450°/s	410°/s	200°/s	200°/s	200°/s
	B-axis (wrist pitch/yaw)	400°/s	300°/s	450°/s	450°/s	410°/s	230°/s	200°/s	200°/s
	T-axis (wrist twist)	500°/s	420°/s	720°/s	720°/s	610°/s	350°/s	400°/s	400°/s
Allowable Moment	R-axis (wrist roll)	3.33 N·m	5.39 N·m	12 N·m	12 N·m	11.8 N·m	14.7 N·m	31.4 N·m	58.8 N·m
	B-axis (wrist pitch/yaw)	3.33 N·m	5.39 N·m	12 N·m	12 N·m	9.8 N·m	14.7 N·m	31.4 N·m	58.8 N·m
	T-axis (wrist twist)	0.98 N·m	2.94 N·m	7 N·m	7 N·m	5.9 N·m	7.35 N·m	19.6 N·m	29.4 N·m
Allowable Inertia (GD²/4)	R-axis (wrist roll)	0.058 kg·m ²	0.1 kg·m ²	0.30 kg·m ²	0.30 kg·m ²	0.27 kg·m ²	0.45 kg·m ²	1.0 kg·m ²	4.0 kg·m ²
	B-axis (wrist pitch/yaw)	0.058 kg·m ²	0.1 kg·m ²	0.30 kg·m ²	0.30 kg·m ²	0.27 kg·m ²	0.45 kg·m ²	1.0 kg·m ²	4.0 kg·m ²
	T-axis (wrist twist)	0.005 kg·m ²	0.03 kg·m ²	0.1 kg·m ²	0.1 kg·m ²	0.06 kg·m ²	0.11 kg·m ²	0.4 kg·m ²	2.0 kg·m ²
Mass	15 kg	27 kg	27 kg	29 kg	130 kg	30 kg	60 kg	120 kg	
Power Requirements^{Note 1}	0.5 kVA	0.5 kVA	1.0 kVA	1.0 kVA	1.0 kVA	1.0 kVA	1.0 kVA	1.5 kVA	
Detailed info page	P.149	P.150	P.151	P.152	P.153	P.154	P.155	P.156	

Note 1. Varies in accordance with applications and motion patterns.

Note 2. When a load is more than 1 kg, the motion range will be smaller. Use the robot within the recommended motion range. For details, refer to the dimensional diagram on P.149.

YA series basic system contents



YA-RJ

6-axis

● Maximum payload 2 kg

● Longest Reach R545 mm

Note. The YA series does not comply with the EU RoHS directive.



Ordering method

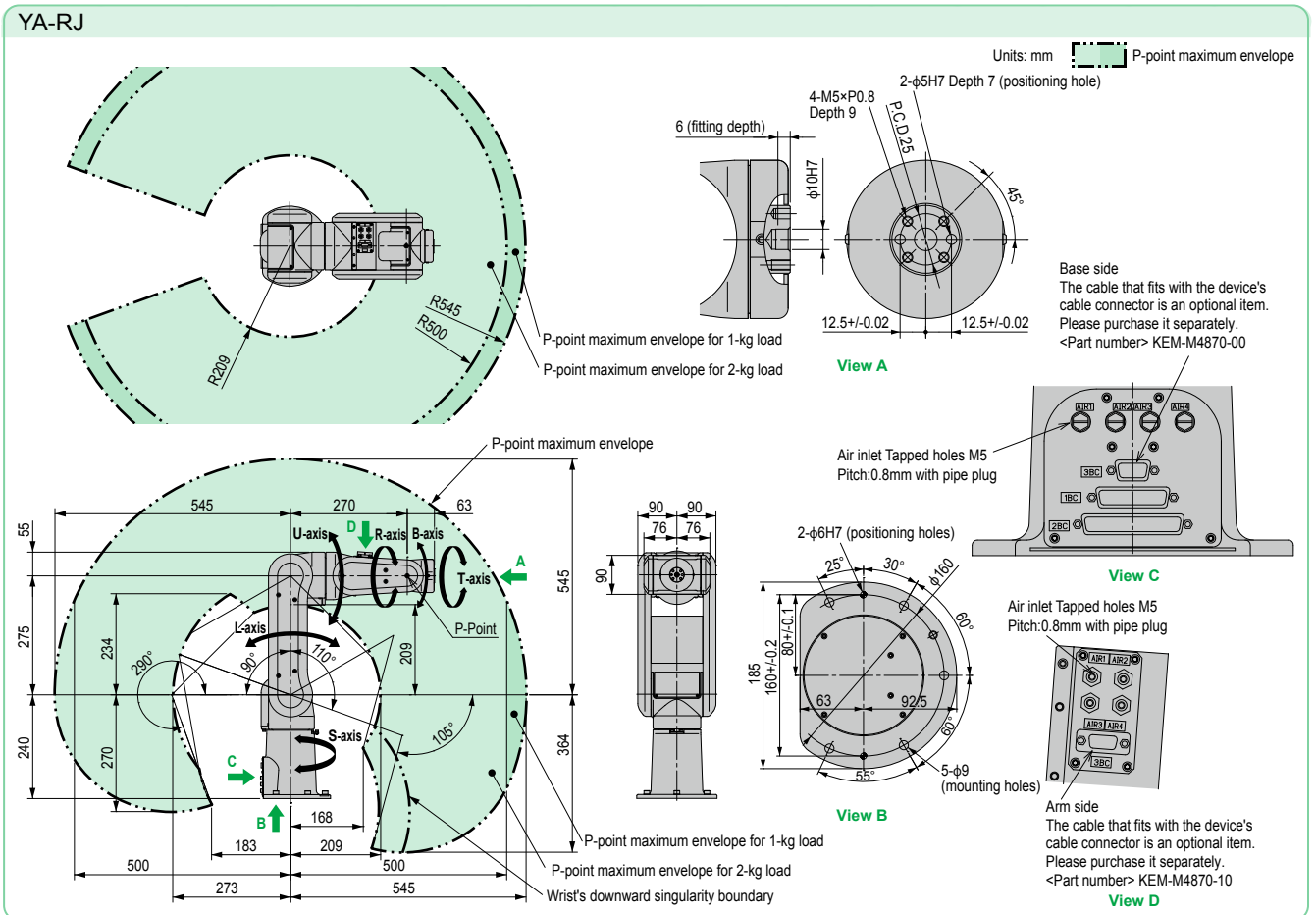
YA-RJ	4L	YAC100	N			
Model	Power cable length 4L: 4m	Controller	Safety standard N: Normal	Language setting JE: Japanese/English JC: Japanese/Chinese EJ: English/Japanese EC: English/Chinese	Option I/O N, P: Standard I/O 28/28 N1, P1: 56/56 points N2, P2: 84/84 points N3, P3: 112/112 points N4, P4: 140/140 points	Network option No entry: None CC: CC-Link DM: DeviceNet master DS: DeviceNet slave PB: PROFIBUS EP: EtherNet/IP™ PM: Profinet master PT: Profinet slave ES: EtherCAT slave

Note. This unit is ideal for small tabletop devices or for education.
 Note. The ultra-light, compact YA-RJ features portability and easy installation for simplified system integration.
 Note. Each axis uses a motor of 80 W or less.
 Note. This unit can also be used in combination with a travel axis or other external axis. Please contact us.

Specifications

Controlled Axis	6	
Payload	1 kg (max. 2 kg ^{Note 1})	
Repeatability	±0.03 mm	
Range of Motion	S-axis (turning)	-160° to +160°
	L-axis (lower Arm)	-90° to +110°
	U-axis (upper arm)	-290° to +105°
	R-axis (wrist roll)	-180° to +180°
	B-axis (wrist pitch/yaw)	-130° to +130°
	T-axis (wrist twist)	-360° to +360°
Axis with brake^{Note 2}	L-axis, U-axis	
Maximum Speed	S-axis (turning)	2.79 rad/s, 160°/s
	L-axis (lower Arm)	2.27 rad/s, 130°/s
	U-axis (upper arm)	3.49 rad/s, 200°/s
	R-axis (wrist roll)	5.23 rad/s, 300°/s
	B-axis (wrist pitch/yaw)	6.98 rad/s, 400°/s
	T-axis (wrist twist)	8.72 rad/s, 500°/s
Allowable Moment	R-axis (wrist roll)	3.33 N·m
	B-axis (wrist pitch/yaw)	3.33 N·m
Allowable Inertia (GD²/4)	R-axis (wrist roll)	0.058 kg·m ²
	B-axis (wrist pitch/yaw)	0.058 kg·m ²
Mass	R-axis (wrist roll)	0.98 N·m
	T-axis (wrist twist)	0.005 kg·m ²
Ambient Conditions	Ambient Temperature	During operation: 0 to +40°C, During storage: -10 to +60°C
	Relative Humidity	90% max. (non-condensing)
	Vibration Acceleration	4.9 m/s ² or less
	Others	<ul style="list-style-type: none"> Free from corrosive gasses or liquids, or explosive gasses Free from exposure to water, oil, or dust Free from excessive electrical noise (plasma)
Power Requirements^{Note 3}		0.5 kVA

Note 1. When a load is more than 1 kg, the motion range will be smaller. Use the robot within the recommended motion range. (See diagrams below)
 Note 2. The S-, R-, B-, and T-axes do not have any brakes. Make sure that the operation does not require brakes.
 Note 3. Varies in accordance with applications and motion patterns.
 Note. SI units are used for specifications.



Articulated robots YA
 Linear conveyor/modules LCM
 Single-axis robots CX
 Motor-less single-axis actuator RoboUnity
 Compact single-axis robots TRANSEVO
 Single-axis robots FLIP-X
 Linear motor single-axis robots PHASER
 Cartesian robots XY-X
 SCARA robots YK-X
 Pick & place robots YP-X
 CLEAN CONTROLLER INFORMATION

YA-R3F

6-axis



- Maximum payload 3 kg
- Longest Reach R532 mm

Note. The YA series does not comply with the EU RoHS directive.

Ordering method

YA-R3F	4L	YAC100	N			
Model	Power cable length 4L: 4m	Controller	Safety standard N: Normal	Language setting JE: Japanese/English JC: Japanese/Chinese EJ: English/Japanese EC: English/Chinese	Option I/O N, P: Standard I/O 28/28 N1, P1: 56/56 points N2, P2: 84/84 points N3, P3: 112/112 points N4, P4: 140/140 points	Network option No entry: None CC: CC-Link DM: DeviceNet master DS: DeviceNet slave PB: PROFIBUS EP: EtherNet/IP™ PM: Profinet master PT: Profinet slave ES: EtherCAT slave

Note. The YA-R3F, a compact manipulator with a motor of 80 W or less mounted on all axes, requires minimal space (baseplate: 240 mm × 170 mm). No fence is required for robot's working area. The robot can be used in applications such as automated guided vehicles (AGVs), testing equipment, and educational tools.

Note. Standard models include four air hoses (diameter: 4 mm), and an internal user I/O wiring harness (0.2 mm² × 10) running through the U-arm. This structure simplifies wiring and tubing for easier system construction.

Note. Floor-mounted, wall-mounted, and ceiling-mounted types are available. Please contact us separately regarding wall-mounted or ceiling-mounted installations.

Note. This unit can also be used in combination with a travel axis or other external axis. Please contact us.

Specifications

Controlled Axis	6	
Payload	3 kg	
Repeatability	+/-0.03 mm	
Range of Motion	S-axis (turning)	-160° to +160° ^{Note 1}
	L-axis (lower Arm)	-85° to +90°
	U-axis (upper arm)	-105° to +260°
	R-axis (wrist roll)	-170° to +170°
	B-axis (wrist pitch/yaw)	-120° to +120°
	T-axis (wrist twist)	-360° to +360°
Maximum Speed	S-axis (turning)	3.49 rad/s, 200°/s
	L-axis (lower Arm)	2.62 rad/s, 150°/s
	U-axis (upper arm)	3.32 rad/s, 190°/s
	R-axis (wrist roll)	5.24 rad/s, 300°/s
	T-axis (wrist twist)	5.24 rad/s, 300°/s

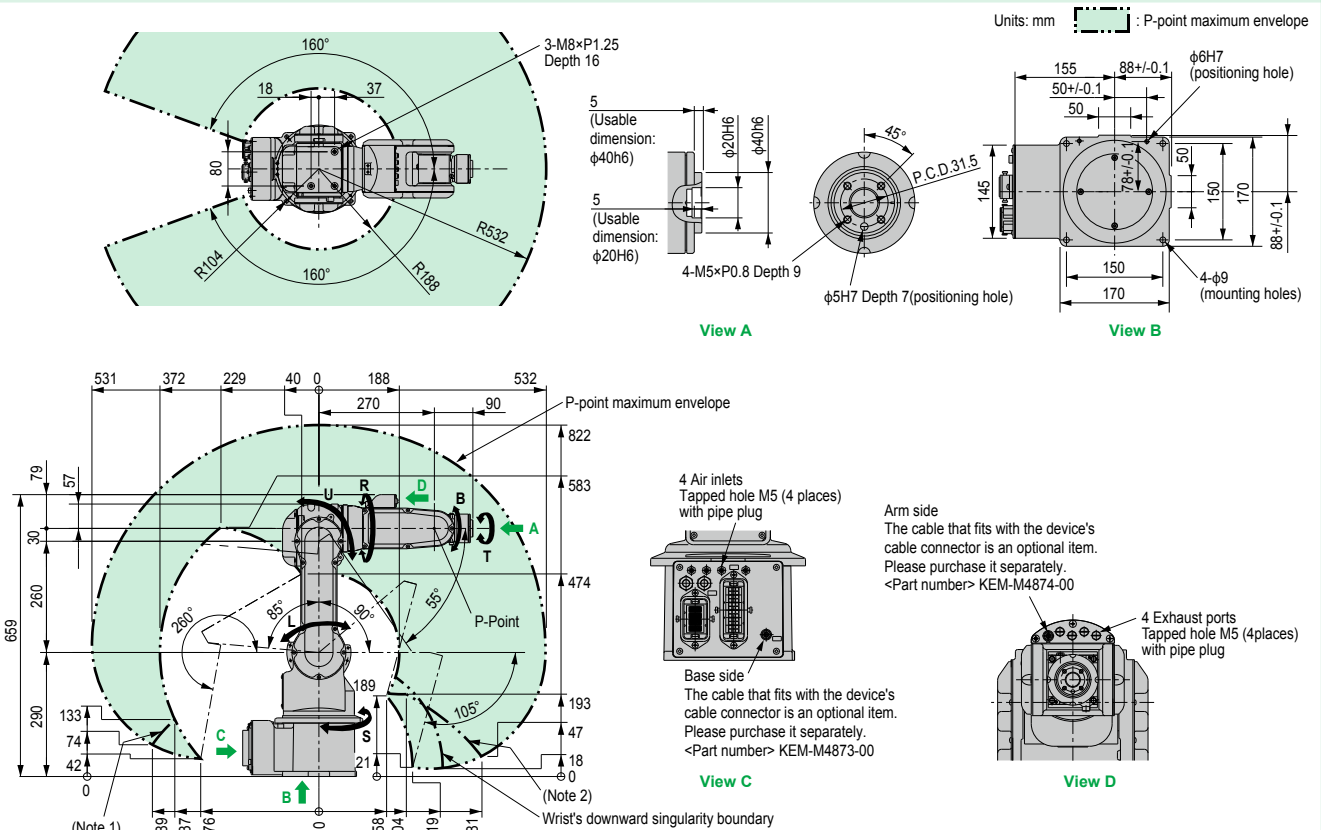
Allowable Moment	R-axis (wrist roll)	5.39 N·m
	B-axis (wrist pitch/yaw)	5.39 N·m
	T-axis (wrist twist)	2.94 N·m
Allowable Inertia (GD²/4)	R-axis (wrist roll)	0.1 kg·m ²
	B-axis (wrist pitch/yaw)	0.1 kg·m ²
	T-axis (wrist twist)	0.03 kg·m ²
Mass		27 kg
Ambient Conditions	Temperature	0 to +40°C
	Humidity	20 to 80%RH (non-condensing)
	Vibration	4.9 m/s ² or less
	Others	<ul style="list-style-type: none"> Free from corrosive gasses or liquids, or explosive gasses Free from exposure to water, oil, or dust Free from excessive electrical noise (plasma)
Power Requirements ^{Note 2}		0.5 kVA

Note 1. For wall-mounted installation, the S-axis operating range is +/-25°.

Note 2. Varies in accordance with applications and motion patterns.

Note. SI units are used for specifications.

YA-R3F



Note 1. Motion range of point P when the S-axis is between -40° to +40°.

Note 2. Motion range of point P when the S-axis is between -125° to -160° or +125° to +160°.

YA-R5F

6-axis

- Maximum payload 5 kg
- Longest Reach R706 mm

Note. The YA series does not comply with the EU RoHS directive.



Ordering method

YA-R5F	4L	YAC100	N			
Model	Power cable length 4L: 4m	Controller	Safety standard N: Normal	Language setting J/E: Japanese/English J/C: Japanese/Chinese E/J: English/Japanese E/C: English/Chinese	Option I/O N, P: Standard I/O 28/28 N1, P1: 56/56 points N2, P2: 84/84 points N3, P3: 112/112 points N4, P4: 140/140 points	Network option No entry: None CC: CC-Link DM: DeviceNet master DS: DeviceNet slave PB: PROFIBUS EP: EtherNet/IP™ PM: Profinet master PT: Profinet slave ES: EtherCAT slave

Note. Thanks to the higher control rate of the YAC100 controller and vibration-damping control of the arm, we have reduced the residual vibration when the arm stops moving, while shortening the cycle time and achieving the fastest speed in this class.

Note. Longest reach in a respective class (706 mm)

Note. Floor-mounted, wall-mounted, and ceiling-mounted types are available. Please contact us separately regarding wall-mounted or ceiling-mounted installations.

Note. This unit can also be used in combination with a travel axis or other external axis. Please contact us.

Specifications

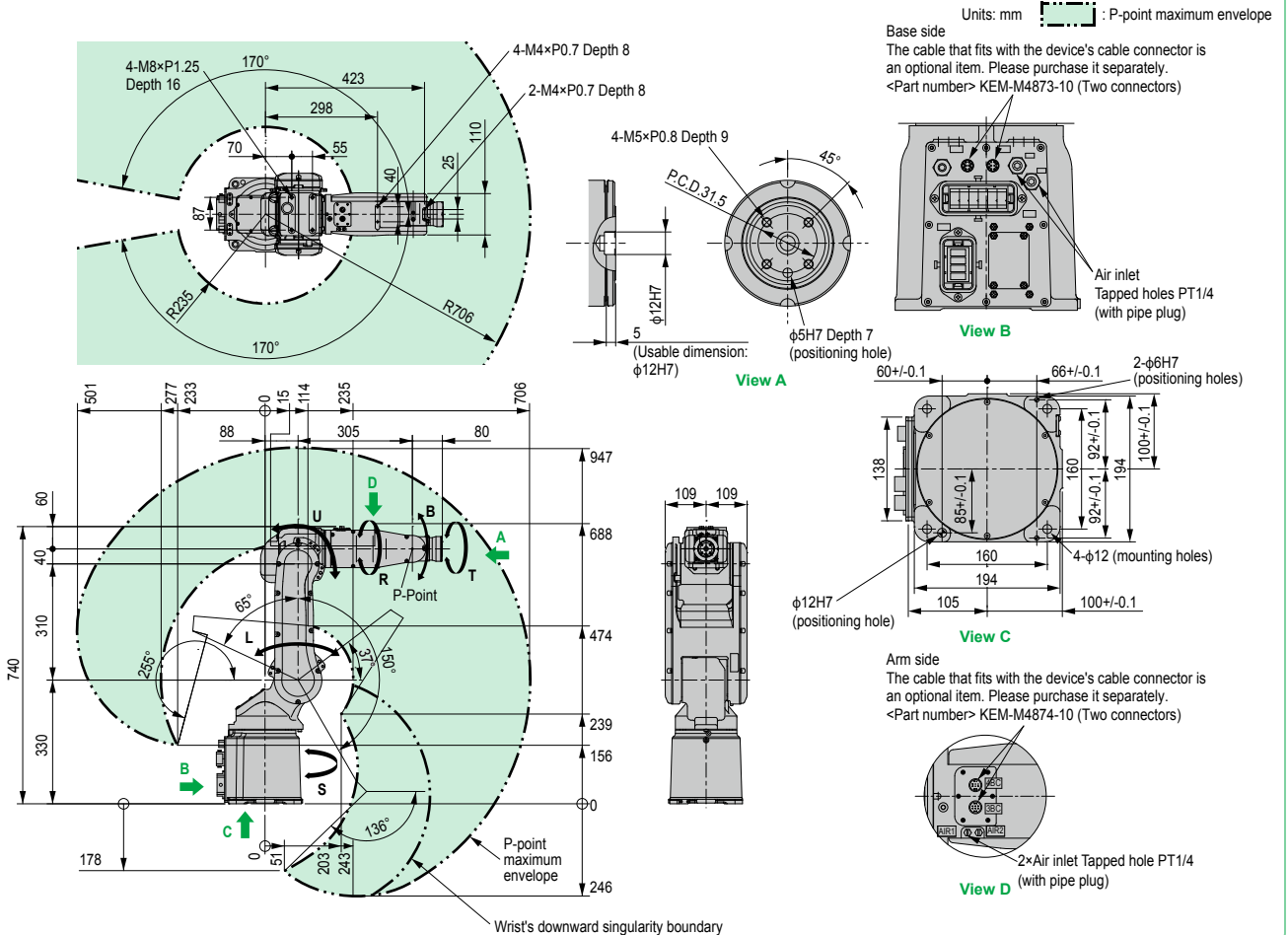
Controlled Axis	6	Allowable Moment	R-axis (wrist roll)	12 N·m	
Payload	5 kg	Allowable Inertia (GD²/4)	B-axis (wrist pitch/yaw)	12 N·m	
Repeatability	+/-0.02 mm	Mass	T-axis (wrist twist)	7 N·m	
Range of Motion	S-axis (turning)	-170° to +170° ^{Note 1}	R-axis (wrist roll)	0.3 kg·m ²	
	L-axis (lower Arm)	-65° to +150°	B-axis (wrist pitch/yaw)	0.3 kg·m ²	
	U-axis (upper arm)	-136° to +255°	T-axis (wrist twist)	0.1 kg·m ²	
	R-axis (wrist roll)	-190° to +190°	Ambient Conditions	Temperature	0 to +45°C
	B-axis (wrist pitch/yaw)	-135° to +135°	Humidity	20 to 80%RH (non-condensing)	
	T-axis (wrist twist)	-360° to +360°	Vibration	4.9 m/s ² or less	
Maximum Speed	S-axis (turning)	6.56 rad/s, 376°/s	Others	<ul style="list-style-type: none"> Free from corrosive gasses or liquids, or explosive gasses Free from exposure to water, oil, or dust Free from excessive electrical noise (plasma) 	
	L-axis (lower Arm)	6.11 rad/s, 350°/s	Power Requirements^{Note 2}	1.0 kVA	
	U-axis (upper arm)	6.98 rad/s, 400°/s			
	R-axis (wrist roll)	7.85 rad/s, 450°/s			
	B-axis (wrist pitch/yaw)	7.85 rad/s, 450°/s			
	T-axis (wrist twist)	12.57 rad/s, 720°/s			

Note 1. For wall-mounted installation, the S-axis operating range is +/-30°.

Note 2. Varies in accordance with applications and motion patterns.

Note. SI units are used for specifications.

YA-R5F



YA-R5LF

6-axis

● Maximum payload 5 kg ● Longest Reach R895 mm

Note. The YA series does not comply with the EU RoHS directive.



Ordering method

YA-R5LF	4L	YAC100	N			
Model	Power cable length 4L: 4m	Controller	Safety standard N: Normal	Language setting JE: Japanese/English JC: Japanese/Chinese EJ: English/Japanese EC: English/Chinese	Option I/O N, P: Standard I/O 28/28 N1, P1: 56/56 points N2, P2: 84/84 points N3, P3: 112/112 points N4, P4: 140/140 points	Network option No entry: None CC: CC-Link DM: DeviceNet master DS: DeviceNet slave PB: PROFIBUS EP: EtherNet/IP™ PM: Profinet master PT: Profinet slave ES: EtherCAT slave

Note. Thanks to the higher control rate of the YAC100 controller and vibration-damping control of the arm, we have reduced the residual vibration when the arm stops moving, while shortening the cycle time and achieving the fastest speed in this class.

Note. Longest reach in a respective class (895 mm)

Note. Floor-mounted, wall-mounted, and ceiling-mounted types are available. Please contact us separately regarding wall-mounted or ceiling-mounted installations.

Note. This unit can also be used in combination with a travel axis or other external axis. Please contact us.

Specifications

Controlled Axis	6	
Payload	5 kg	
Repeatability	+/-0.03 mm	
Range of Motion	S-axis (turning)	-170° to +170° ^{Note 1}
	L-axis (lower Arm)	-65° to +150°
	U-axis (upper arm)	-138° to +255°
	R-axis (wrist roll)	-190° to +190°
	B-axis (wrist pitch/yaw)	-135° to +135°
	T-axis (wrist twist)	-360° to +360°
Maximum Speed	S-axis (turning)	4.71 rad/s, 270°/s
	L-axis (lower Arm)	4.89 rad/s, 280°/s
	U-axis (upper arm)	5.24 rad/s, 300°/s
	R-axis (wrist roll)	7.85 rad/s, 450°/s
	B-axis (wrist pitch/yaw)	7.85 rad/s, 450°/s
	T-axis (wrist twist)	12.57 rad/s, 720°/s

Allowable Moment	R-axis (wrist roll)	12 N·m
	B-axis (wrist pitch/yaw)	12 N·m
	T-axis (wrist twist)	7 N·m
Allowable Inertia (GD²/4)	R-axis (wrist roll)	0.3 kg·m ²
	B-axis (wrist pitch/yaw)	0.3 kg·m ²
	T-axis (wrist twist)	0.1 kg·m ²
Mass		29 kg
Ambient Conditions	Temperature	0 to +45°C
	Humidity	20 to 80%RH (non-condensing)
	Vibration	4.9 m/s ² or less
	Others	<ul style="list-style-type: none"> Free from corrosive gasses or liquids, or explosive gasses Free from exposure to water, oil, or dust Free from excessive electrical noise (plasma)
Power Requirements ^{Note 2}		1.0 kVA

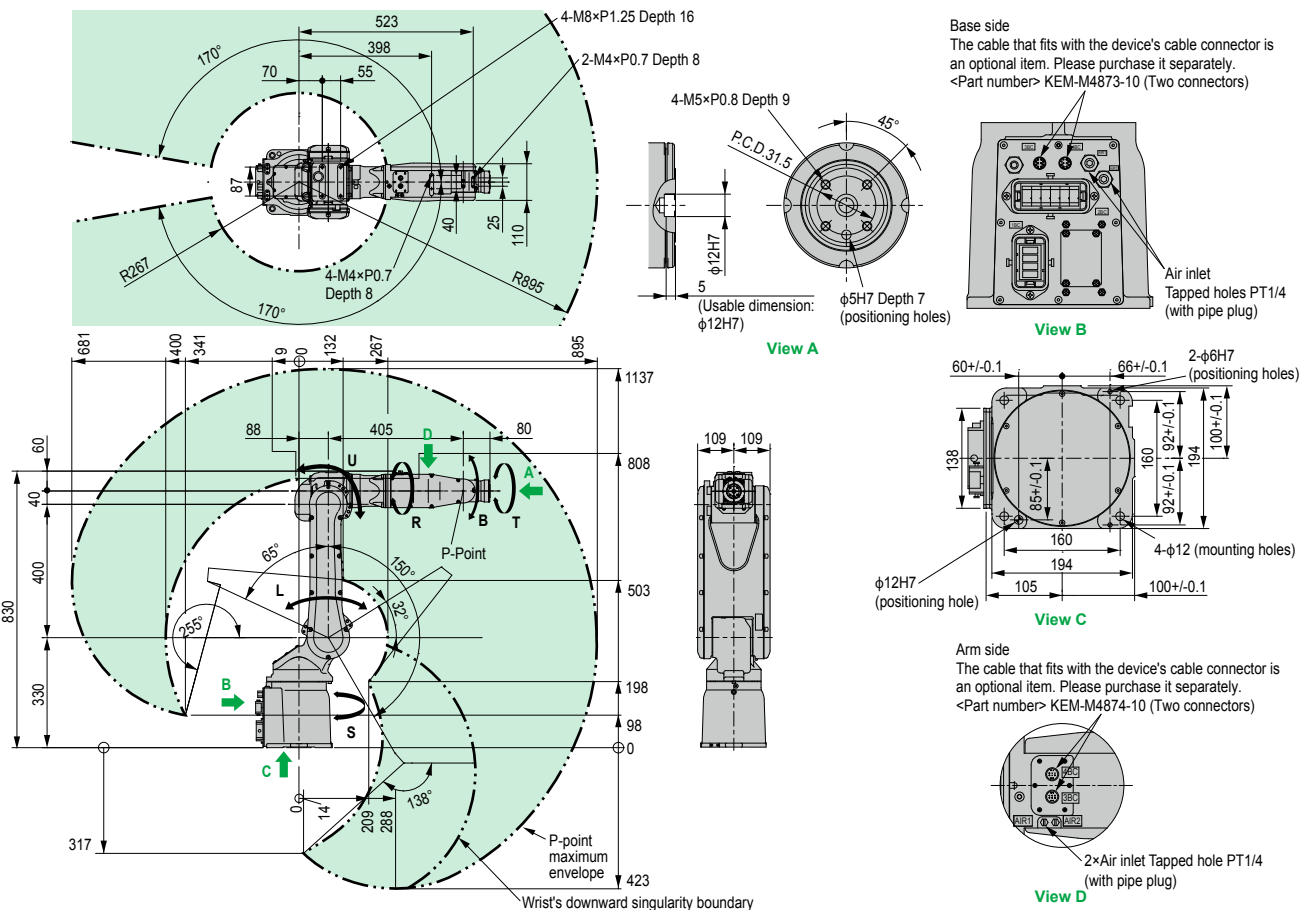
Note 1. For wall-mounted installation, the S-axis operating range is +/-30°.

Note 2. Varies in accordance with applications and motion patterns.

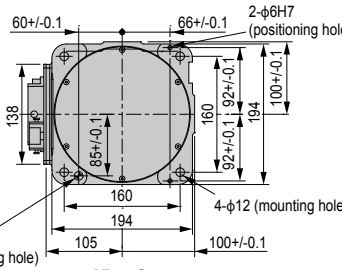
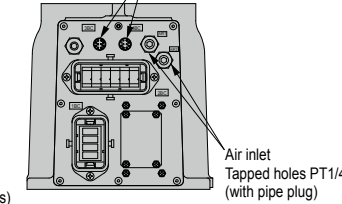
Note. SI units are used for specifications.

YA-R5LF

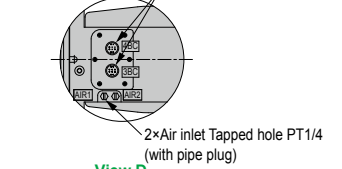
Units: mm : P-point maximum envelope



Base side
The cable that fits with the device's cable connector is an optional item. Please purchase it separately.
<Part number> KEM-M4873-10 (Two connectors)



Arm side
The cable that fits with the device's cable connector is an optional item. Please purchase it separately.
<Part number> KEM-M4874-10 (Two connectors)



YA-U10F

7-axis

Maximum payload 10 kg

Note. The YA series does not comply with the EU RoHS directive.

Ordering method

YA-U10F	4L	YAC100	N			
Model	Power cable length 4L: 4m	Controller	Safety standard N: Normal	Language setting JE: Japanese/English JC: Japanese/Chinese EJ: English/Japanese EC: English/Chinese	Option I/O N, P: Standard I/O 28/28 N1, P1: 56/56 points N2, P2: 84/84 points N3, P3: 112/112 points N4, P4: 140/140 points	Network option No entry: None CC: CC-Link DM: DeviceNet master DS: DeviceNet slave PB: PROFIBUS EP: EtherNet/IP™ PM: Profinet master PT: Profinet slave ES: EtherCAT slave

Note. High degree of motion like a human arm with its 7-axis arm.
 Note. The high flexibility of motion makes operation possible even in narrow spaces inaccessible to humans.
 Note. Folds to compact size when not in use.
 Note. Many installation options: on the floor, on the wall or on the ceiling. Please contact us separately regarding wall-mounted or ceiling-mounted installations.
 Note. Optimal for handling small objects.
 Note. By utilizing internal user I/O wiring harness and air lines integrated in the arm, layout can be planned offline without worrying about peripheral interference.
 (Internal user I/O wiring harness and air lines specifications: two air hoses and twelve-core cables)
 External axis specification for a hand can be accommodated. Contact YAMAHA regarding your requirements.

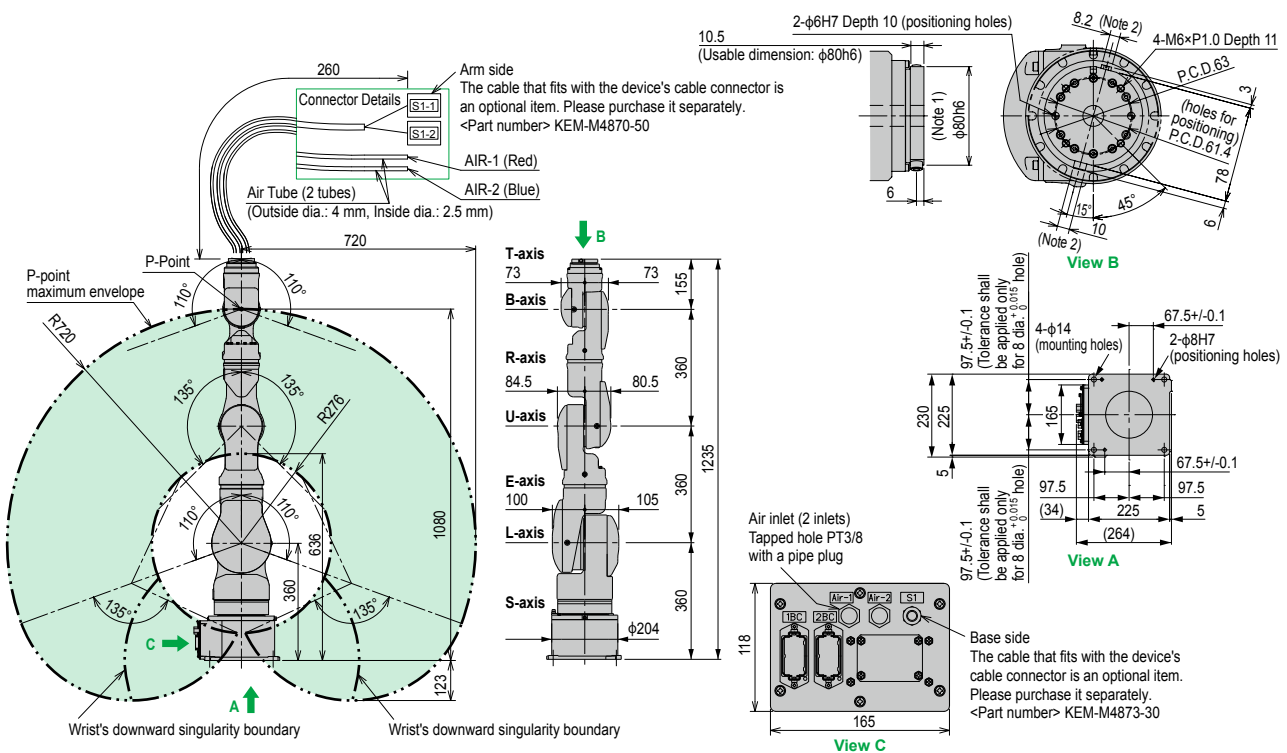
Specifications

Controlled Axis	7	Allowable Moment	R-axis (wrist roll)	31.4 N-m	
Payload	10 kg		B-axis (wrist pitch/yaw)	31.4 N-m	
Repeatability	+/-0.1 mm		T-axis (wrist twist)	19.6 N-m	
Range of Motion	S-axis (turning)	-180° to +180°	Allowable Inertia (GD²/4)	R-axis (wrist roll)	1.0 kg-m ²
	L-axis (lower Arm)	-110° to +110°		B-axis (wrist pitch/yaw)	1.0 kg-m ²
	E-axis (elbow twist)	-170° to +170°		T-axis (wrist twist)	0.4 kg-m ²
	U-axis (upper arm)	-135° to +135°		Mass	60 kg
	R-axis (wrist roll)	-180° to +180°		Power Requirements ^{Note 1}	1.0 kVA
	B-axis (wrist pitch/yaw)	-110° to +110°		Temperature	0 to +40°C
	T-axis (wrist twist)	-180° to +180°		Humidity	20 to 80%RH (non-condensing)
Maximum Speed	S-axis (turning)	2.97 rad/s, 170°/s	Ambient Conditions	Vibration	4.9 m/s ² or less
	L-axis (lower Arm)	2.97 rad/s, 170°/s		Others	• Free from corrosive gasses or liquids, or explosive gasses • Free from exposure to water, oil, or dust • Free from excessive electrical noise (plasma)
	E-axis (elbow twist)	2.97 rad/s, 170°/s			
	U-axis (upper arm)	2.97 rad/s, 170°/s			
	R-axis (wrist roll)	3.49 rad/s, 200°/s			
	B-axis (wrist pitch/yaw)	3.49 rad/s, 200°/s			
	T-axis (wrist twist)	6.98 rad/s, 400°/s			

Note 1. Varies in accordance with applications and motion patterns.
 Note. SI units are used for specifications.

YA-U10F

Units: mm [] : P-point maximum envelope



Note 1. The flange is equipped with a cable through hole. When mounting equipment such as an attachment, ensure that no foreign liquid, oil, or dust go into hole.
 Note 2. A bolt is mounted for T-axis grease replenished. When attaching an attachment to 80 dia. -0.035/0 part of the T-axis, enough space for the grease zerk (A-MT6X1) is required to the shape of the attachment.

Articulated robots
YA

Linear conveyor modules
LCM

Single-axis robots
CX

Motor-less single axis actuator
Robonity

Compact single-axis robots
TRANSEVO

Single-axis robots
FLIP-X

Linear motor single-axis robots
PHASER

Cartesian robots
XY-X

SCARA robots
YK-X

Pick & place robots
YP-X

CLEAN CONTROLLER INFORMATION



YA-U20F

7-axis



● Maximum payload 20 kg

Note. The YA series does not comply with the EU RoHS directive.

Ordering method

YA-U20F	4L	YAC100	N			
Model	Power cable length 4L: 4m	Controller	Safety standard N: Normal	Language setting JE: Japanese/English JC: Japanese/Chinese EJ: English/Japanese EC: English/Chinese	Option I/O N, P: Standard I/O 28/28 N1, P1: 56/56points N2, P2: 84/84 points N3, P3: 112/112 points N4, P4: 140/140 points	Network option No entry: None CC: CC-Link DM: DeviceNet master DS: DeviceNet slave PB: PROFIBUS EP: EtherNet/IP™ PM: Profinet master PT: Profinet slave ES: EtherCAT slave

Note. High degree of motion like a human arm with its 7-axis arm.
 Note. The high flexibility of motion makes operation possible even in narrow spaces inaccessible to humans.
 Note. Folds to compact size when not in use.
 Note. Many installation options: on the floor, on the wall or on the ceiling. Please contact us separately regarding wall-mounted or ceiling-mounted installations.
 Note. Assembles and handles heavy objects up to 20 kg.
 Note. By utilizing internal user I/O wiring harness and air lines integrated in the arm, layout can be planned offline without worrying about peripheral interference.
 (Internal user I/O wiring harness and air lines specifications: two air hoses and sixteen-core cables)
 External axis specification for a hand can be accommodated. Contact YAMAHA regarding your requirements.

Specifications

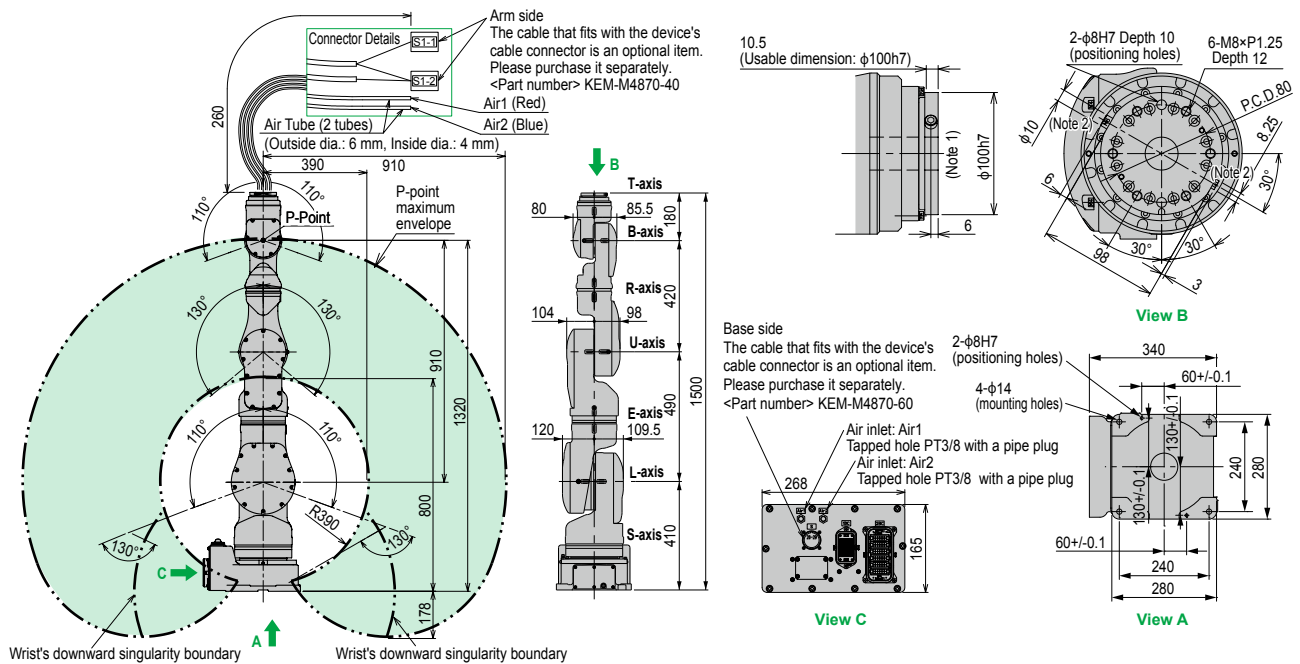
Controlled Axis	7	
Payload	20 kg	
Repeatability	+/-0.1 mm	
Range of Motion	S-axis (turning)	-180° to +180°
	L-axis (lower Arm)	-110° to +110°
	E-axis (elbow twist)	-170° to +170°
	U-axis (upper arm)	-130° to +130°
	R-axis (wrist roll)	-180° to +180°
	B-axis (wrist pitch/yaw)	-110° to +110°
	T-axis (wrist twist)	-180° to +180°
Maximum Speed	S-axis (turning)	2.27 rad/s, 130°/s
	L-axis (lower Arm)	2.27 rad/s, 130°/s
	E-axis (elbow twist)	2.97 rad/s, 170°/s
	U-axis (upper arm)	2.97 rad/s, 170°/s
	R-axis (wrist roll)	3.49 rad/s, 200°/s
	B-axis (wrist pitch/yaw)	3.49 rad/s, 200°/s
	T-axis (wrist twist)	6.98 rad/s, 400°/s

Allowable Moment	R-axis (wrist roll)	58.8 N·m
	B-axis (wrist pitch/yaw)	58.8 N·m
	T-axis (wrist twist)	29.4 N·m
Allowable Inertia (GD²/4)	R-axis (wrist roll)	4.0 kg·m ²
	B-axis (wrist pitch/yaw)	4.0 kg·m ²
	T-axis (wrist twist)	2.0 kg·m ²
Mass		120 kg
Power Requirements ^{Note 1}		1.5 kVA
Ambient Conditions	Temperature	0 to +40°C
	Humidity	20 to 80%RH (non-condensing)
	Vibration	4.9 m/s ² or less
	Others	<ul style="list-style-type: none"> Free from corrosive gasses or liquids, or explosive gasses Free from exposure to water, oil, or dust Free from excessive electrical noise (plasma)

Note 1. Varies in accordance with applications and motion patterns.
 Note. SI units are used for specifications.

YA-U20F

Units: mm : P-point maximum envelope



Note 1. The flange is equipped with a cable through hole. When mounting equipment such as an attachment, ensure that no foreign liquid, oil, or dust go into hole.
 Note 2. A bolt is mounted for T-axis grease replenished. When attaching an attachment to 80 dia. -0.035/0 part of the T-axis, enough space for the grease zerk (A-MT6X1) is required to the shape of the attachment.

YAC100 Specifications

■ YAC100 controller specifications

Configuration	Standard: IP20 (open structure)
Dimensions	470 mm (W) × 420 mm (D) × 200 mm (H) (Protrusions are not included.)
Mass	20 kg
Cooling System	Direct cooling
Ambient Temperature	During operation: 0°C to +40°C During storage : -10°C to +60°C
Relative Humidity	90% max. (non-condensing)
Power Supply ^{Note}	Single-phase 200/230 VAC (+10% to -15%), 50/60 Hz Three-phase 200/220 VAC (+10% to -15%), 50/60 Hz
Grounding	Grounding resistance: 100 Ω or less
Digital I/Os	Specialized signals: 8 inputs and 11 output General signals : 16 inputs and 16 outputs Max. I/O (optional) : 1,024 inputs and 1,024 outputs
Positioning System	By serial encoder
Programming Capacity	JOB: 10,000 steps, 1,000 instructions C/O ladder: 1,500 steps
Expansion Slots	MP2000 bus × 5 slots
LAN (Connection to Host)	1 (10BASE-T/100BASE-TX)
Interface	RS-232C: 1ch
Control Method	Software servo control
Drive Units	Six axes for robots. Two more axes can be added as external axes. (Can be installed in the controller.)
Painting Color	Munsell notation 5Y7/1 (reference value)

Note. YA-R6F: Three-phase only.

■ YAP programming pendant specifications



Dimensions	169 mm (W) × 314.5 mm (H) × 50 mm (D)
Mass	0.990 kg
Material	Reinforced plastics
Operation Device	Select keys, axis keys (8 axes), numerical/application keys, Mode switch with key (mode: teach, play, and remote), emergency stop button, enable switch, compact flash card interface device (compact flash is optional.), USB port (1 port)
Display	640 × 480 pixels color LCD, touch panel (Alphanumeric characters, Chinese characters, Japanese letters, Others)
IEC Protection Class	IP65
Cable Length	Standard: 8 m, 4 m / 8 m / 12 m extension cable (maximum 20 m)

■ Optimum controller for handling and assembly

The YAC100 is a compact controller with improved performance and functions optimized for handling and assembly.

- Fits in a 19-inch rack and can be installed under conveyors.
- Commands specifically designed for workpiece handling with synchronized conveyors.



Hardware Options
<ul style="list-style-type: none"> • External axis (max.: 2 axes) • I/O module (28 points, NPN or PNP) • Major fieldbus interface boards DeviceNet™ (master/slave), CC-Link (slave), PROFIBUS (slave), EtherNet/IP™ (slave, I/O communications), EtherCAT (slave), PROFINET (master/slave)

Optional Functions
<ul style="list-style-type: none"> • Conveyor synchronization • Vision function • External reference point control • Software pendant

■ Regarding the concurrent I/O ladder program

The YAC100 controller is equipped with an NPN (or PNP) for standard I/O. Dedicated input/output is assigned to this standard I/O board. For this reason, if dedicated input/output is to be assigned to various types of field bus, concurrent I/O ladder program settings must be made.

Sample programs can be downloaded from our website.^{Note}

<https://global.yamaha-motor.com/business/robot/>

Note. The member site requires registration.

A robot simulator that implements the same functionality as the actual controller

MotoSim EG-VRC-CadPack for YAMAHA

Virtual programming before the actual line is completed allows major reduction in line startup time.

■ Modeling layout

Models of workers and workpieces can be easily laid out.

■ Intuitive control of models

Models can be moved intuitively, simply by using the mouse.

■ Programming and debugging

Automatic generation of robot operating programs, job editing, and job analysis can be performed easily.

■ Intuitive robot operation

The robot's posture can be operated intuitively, allowing more efficient teaching.

■ Robot simulation

The robot can be watched as it operates, allowing visual verification.

Articulated robots
YA

Linear conveyor modules
LCM

Single-axis robots
CX

Motor-less single axis actuator
Robonity

Compact single-axis robots
TRANSEVO

Single-axis robots
FLIP-X

Linear motor single-axis robots
PHASER

Cartesian robots
XY-X

SCARA robots
YK-X

Pick & place robots
YP-X

CLEAN

CONTROLLER

INFORMATION

Accessories and part options

YA Series

Standard accessories

YAP programming box (with 8m cable)

Name	Model	Language
YAP-J	KEN-M5110-0J	Japanese
YAP-E	KEN-M5110-0E	English
YAP-C	KEN-M5110-0C	Chinese

Parts for the YAC100 controller

Name	Model
Power supply connector	KEN-M4871-00
Power supply cable clamp	KEN-M4836-00
Dummy connector for shorting safety signal	KEN-M5370-00
Power supply protection fuse	KEN-M5853-00
Standard I/O connector (STD.IO)	KBH-M4420-00
	KEN-M4420-00

Power cable (robot cable)

Manipulator name	Model	Cable length	Cable diameter		Bending radius
			Signal wire	Power wire	
YA-RJ	KEM-M4710-40	4 m	Signal wire	φ8.5 mm	85.0 mm
			Power wire	φ13.5 mm	140.0 mm
YA-R3F	KEM-M4711-40	4 m	Signal wire	φ17.5 mm	180.0 mm
			Power wire	φ19.5 mm	200.0 mm
YA-R5F/R5LF/R6F	KEM-M4712-40	4 m	Signal wire	φ17.5 mm	180.0 mm
			Power wire	φ19.5 mm	180.0 mm
YA-U5F/U10F	KEM-M4713-40	4 m	Signal wire	φ17.5 mm	180.0 mm
			Power wire	φ16.1 mm	180.0 mm
YA-U20F	KEM-M4714-40	4 m	Signal wire	φ17.5 mm	180.0 mm
			Power wire	φ26.0 mm	260.0 mm

Options

Power cable (robot cable)

Manipulator name	Model			Cable diameter		Bending radius
	Cable length (10 m)	Cable length (15 m)	Cable length (20 m)	Signal wire	Power wire	
YA-RJ	KEM-M4710-A0	KEM-M4710-F0	KEM-M4710-L0	Signal wire	φ8.5 mm	85.0 mm
				Power wire	φ13.5 mm	140.0 mm
YA-R3F	KEM-M4711-A0	KEM-M4711-F0	KEM-M4711-L0	Signal wire	φ17.5 mm	180.0 mm
				Power wire	φ19.5 mm	200.0 mm
YA-R5F/R5LF/R6F	KEM-M4712-A0	KEM-M4712-F0	KEM-M4712-L0	Signal wire	φ17.5 mm	180.0 mm
				Power wire	φ19.5 mm	180.0 mm
YA-U5F/U10F	KEM-M4713-A0	KEM-M4713-F0	KEM-M4713-L0	Signal wire	φ17.5 mm	180.0 mm
				Power wire	φ16.1 mm	180.0 mm
YA-U20F	KEM-M4714-A0	KEM-M4714-F0	KEM-M4714-L0	Signal wire	φ17.5 mm	180.0 mm
				Power wire	φ26.0 mm	260.0 mm

Device cable connector (connector for user wiring)

Manipulator name	Part position	Model	Remarks
YA-RJ	Base side	KEM-M4870-00	
	Arm side	KEM-M4870-10	
YA-R3F	Base side	KEM-M4873-00	
	Arm side	KEM-M4874-00	
YA-R5F/R5LF	Base side	KEM-M4873-10	Two connectors
	Arm side	KEM-M4874-10	Two connectors
YA-R6F	Base side	KEM-M4870-20	
	Arm side	KEM-M4870-30	
YA-U5F	Base side	KEM-M4873-30	
	Arm side	KEM-M4870-40	
YA-U10F	Base side	KEM-M4873-30	
	Arm side	KEM-M4870-50	
YA-U20F	Base side	KEM-M4870-60	
	Arm side	KEM-M4870-40 ^{Note}	

Note: Two connectors are required on the arm side of YA-U20F.

Extension cable for YAP (extension cable for programming box)

Name	Model	Cable length
Extension cable for YAP	KEN-M531F-10	4 m
	KEN-M531F-20	8 m
	KEN-M531F-30	12 m

Dummy connector for YAP

Name	Model
YAP dummy connector	KEN-M5163-00

Maintenance parts

Name	Model
Battery unit for YA-RJ/R3F	KEM-M53G3-10
YA-R5F/R5LF/R6F	KEM-M53G3-00
Battery unit for YA-U5F/U10F/U20F	
Battery unit for YAC100 controller	KEN-M53G3-00
AC fan motor	KEN-M6175-00