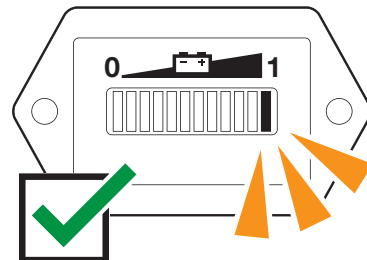
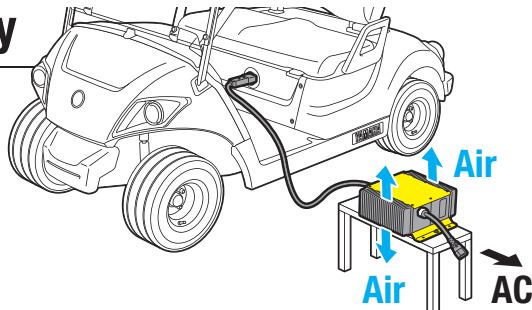


Battery Maintenance

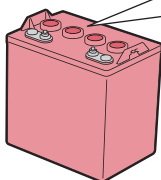
Every Day

Charging

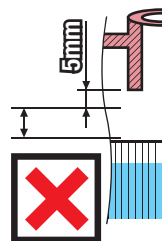
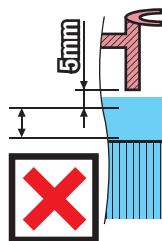
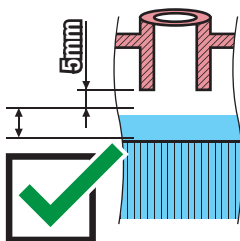


Every Week

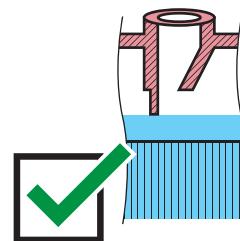
Liquid level check



Trojan Battery



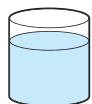
GS Battery



Every Month

(Every Week if heavy corrosion)

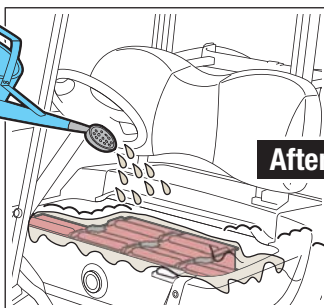
Cleaning



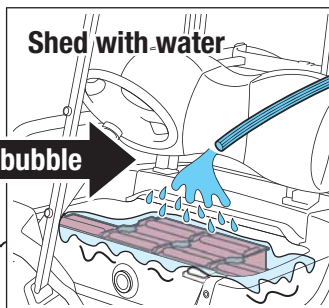
+



Water 100 : Baking soda 3



Shed with water



After bubble

