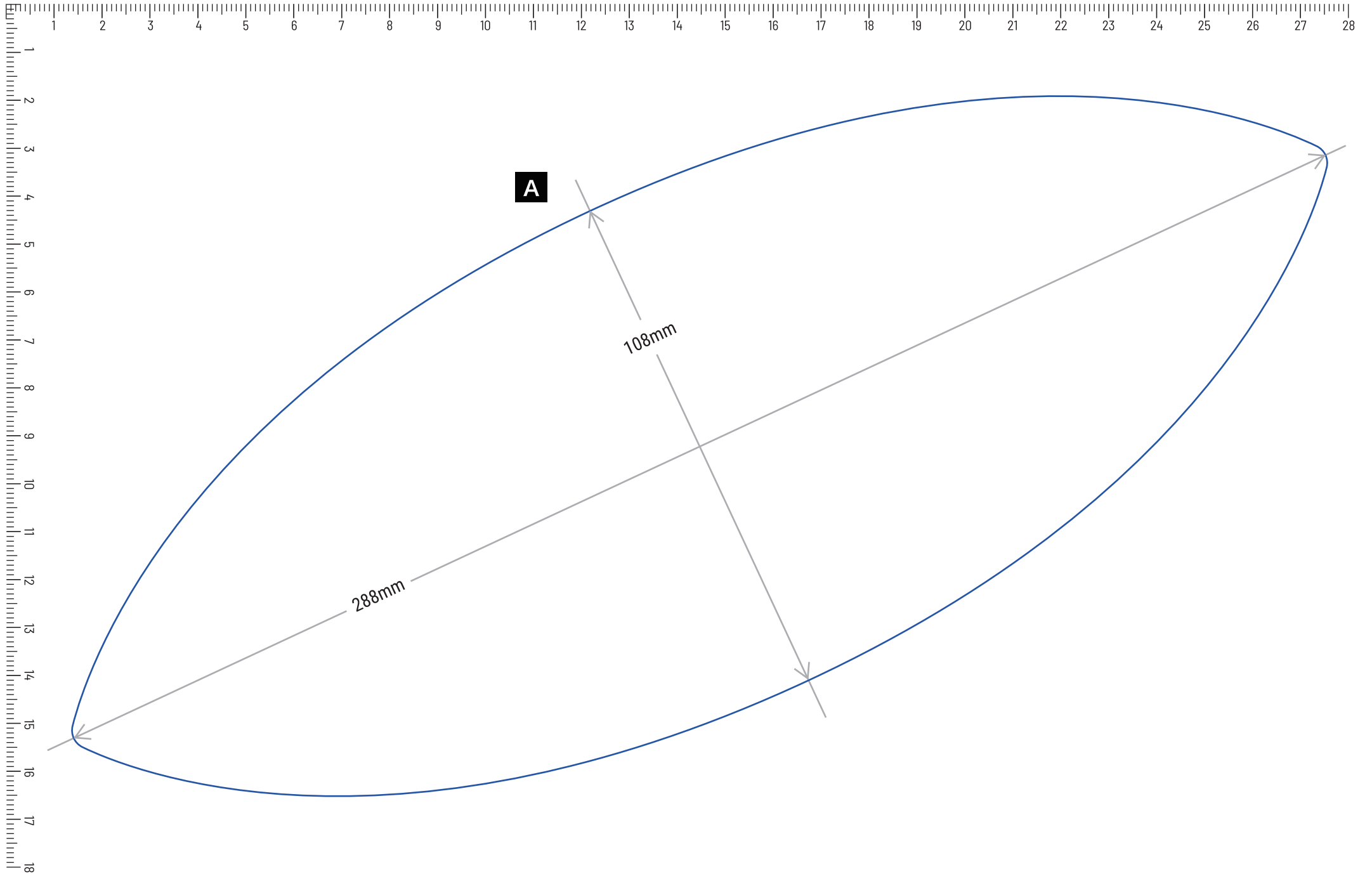


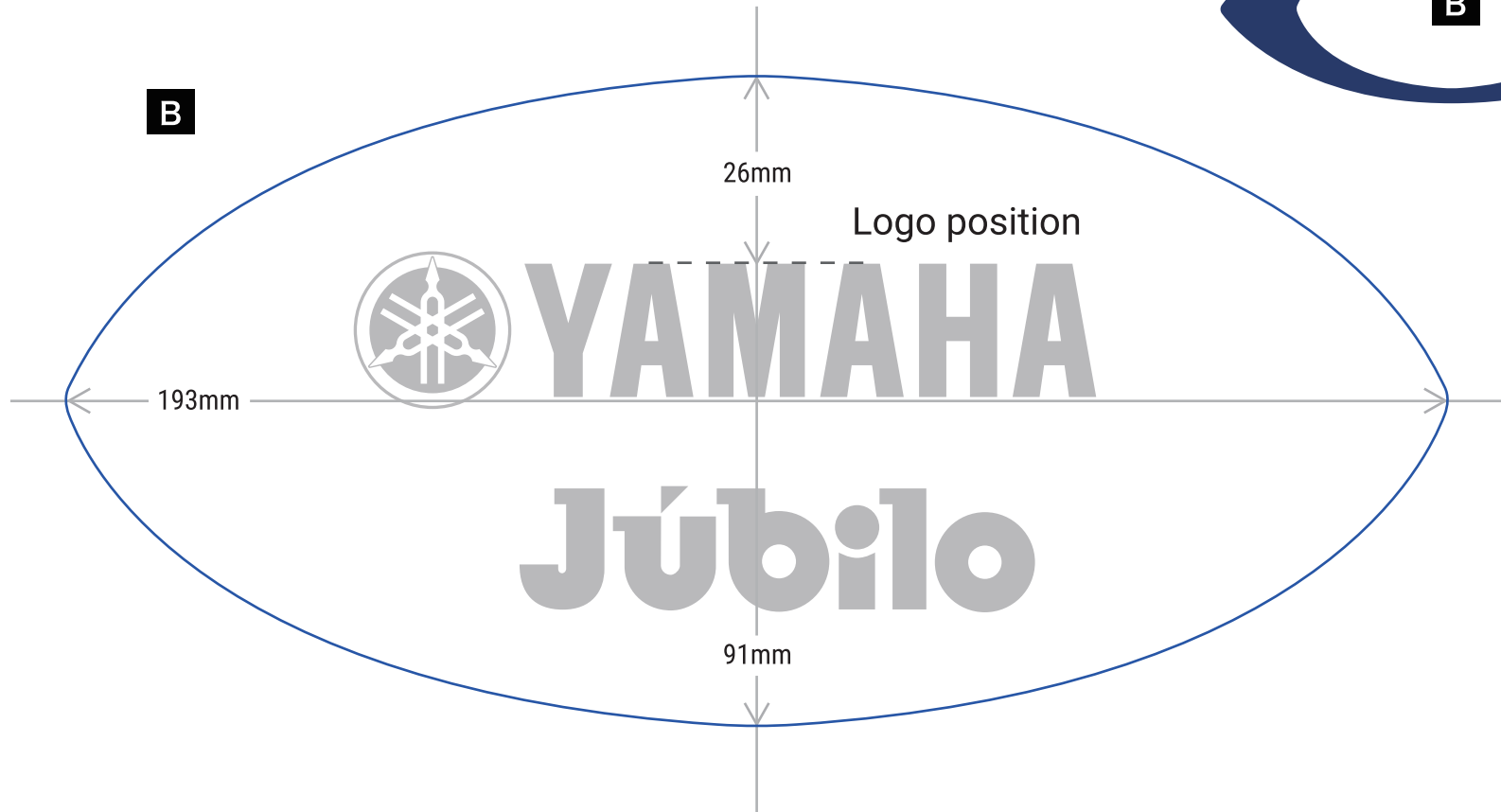
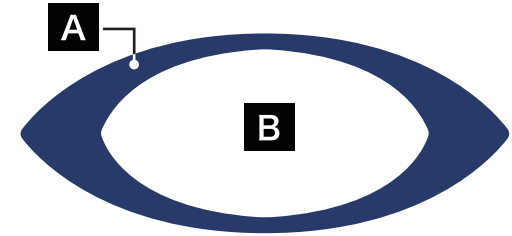


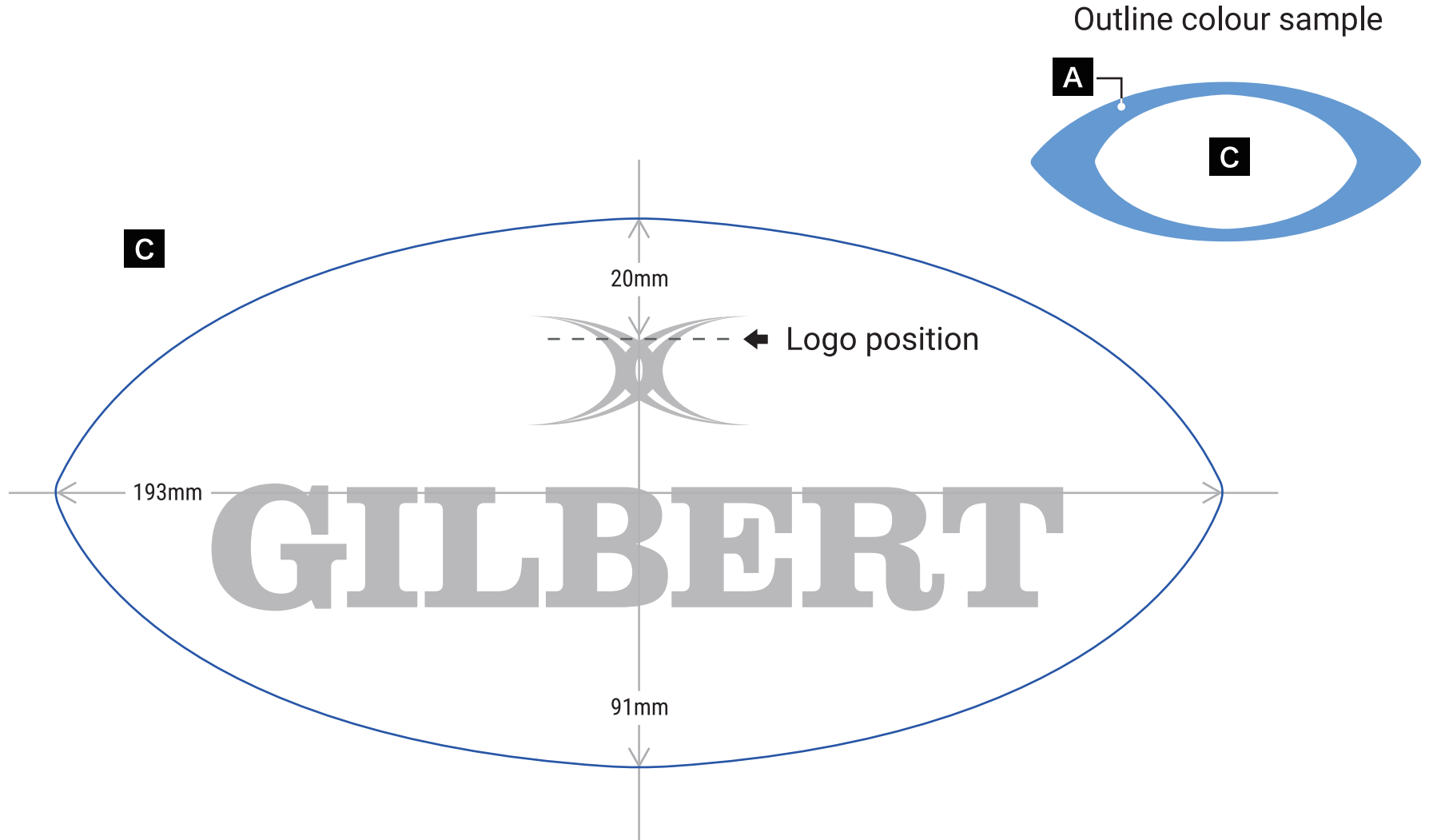
RUGBY BALL *by Needle Felting Pattern 1*





Outline colour sample

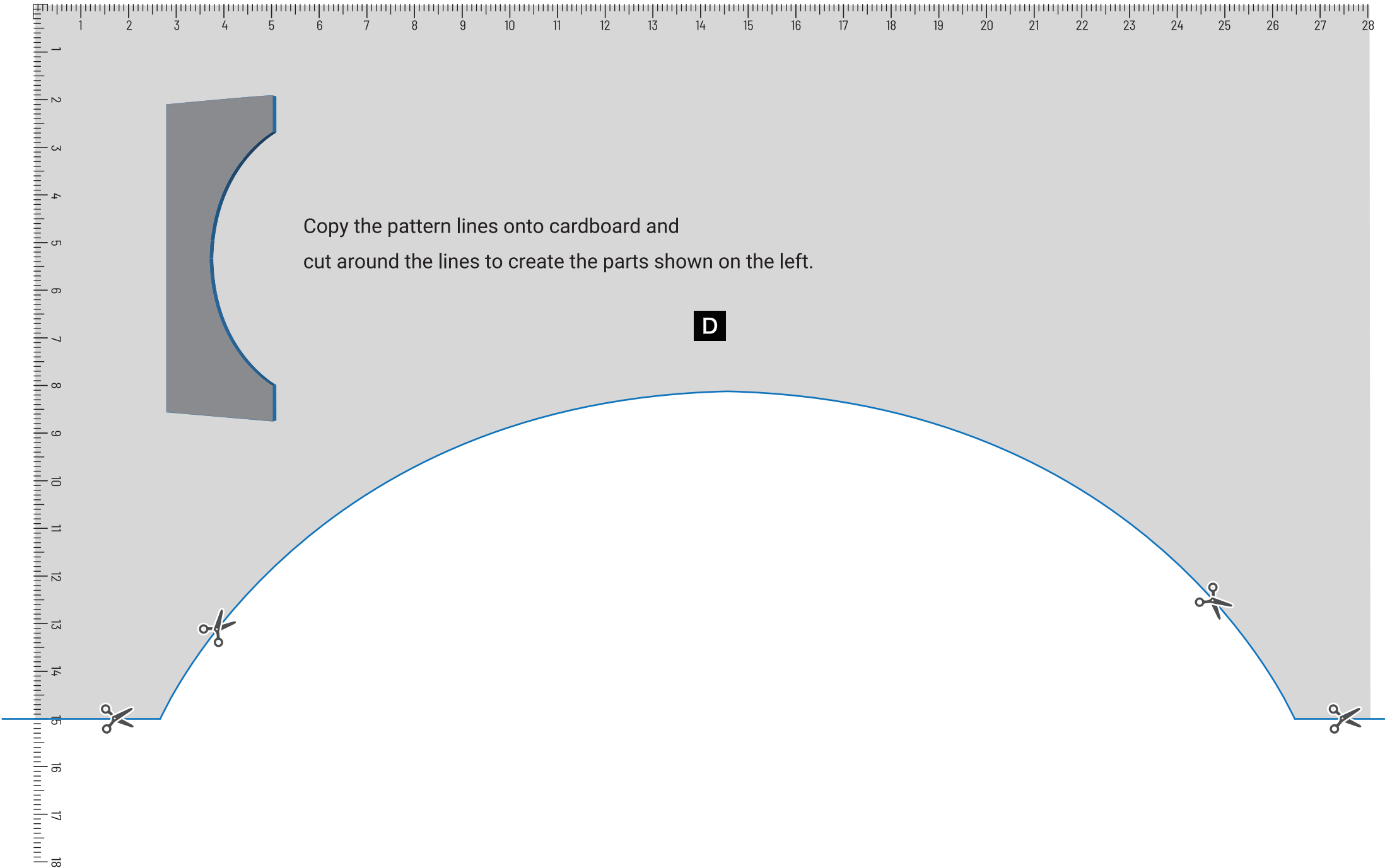




RUGBY BALL *by Needle Felting Pattern 4*

Copy the pattern lines onto cardboard and cut around the lines to create the parts shown on the left.

D





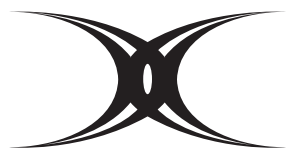
RUGBY BALL *by Needle Felting Pattern 5*



Logo colour sample (actual size)



Júbilo

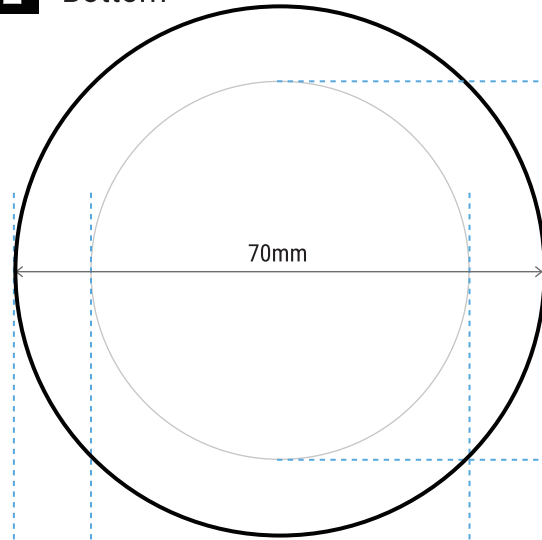


GILBERT

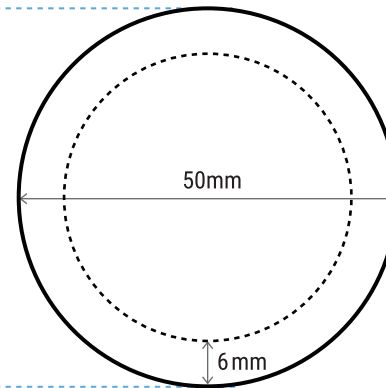


Ball stand

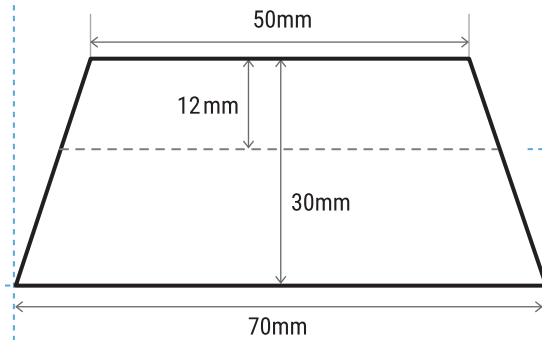
E Bottom



H Top



G Finished side



F Unfinished side

