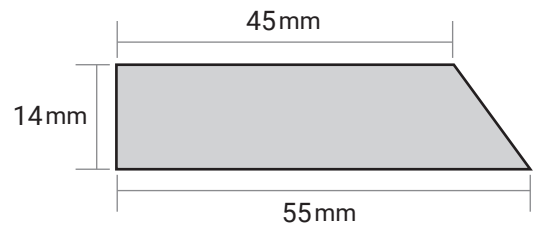
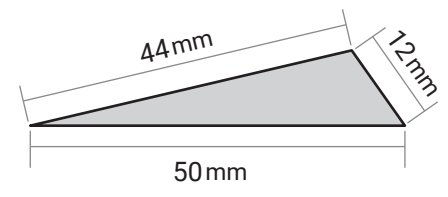


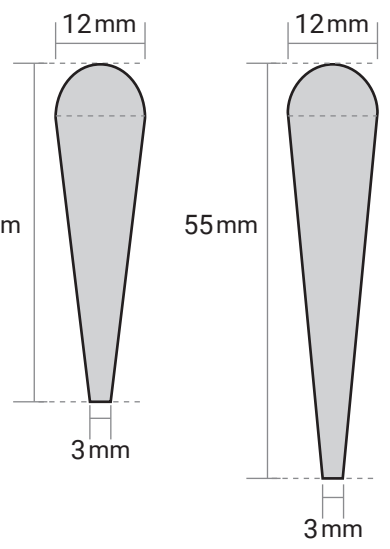
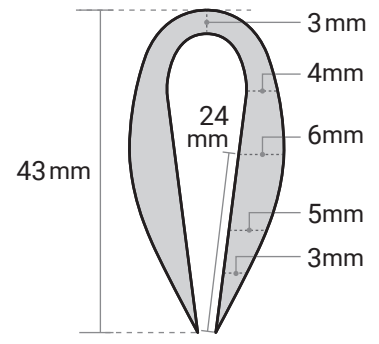
**D**



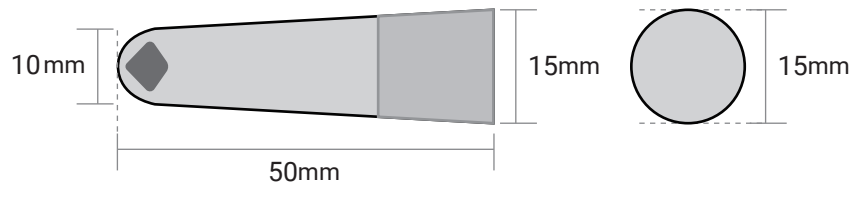
**E** x 2 Thickness 3mm



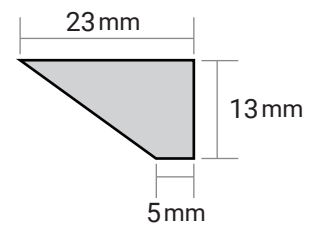
**F** Thickness 3mm



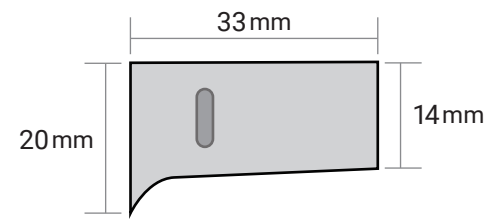
**G**



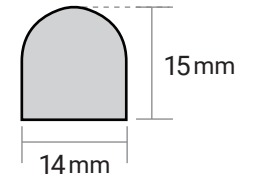
**H** Thickness 3mm



**I** Thickness 6mm



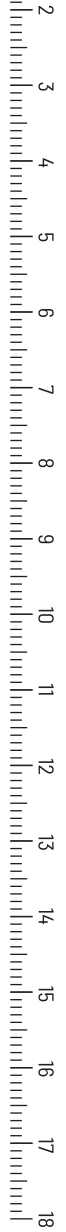
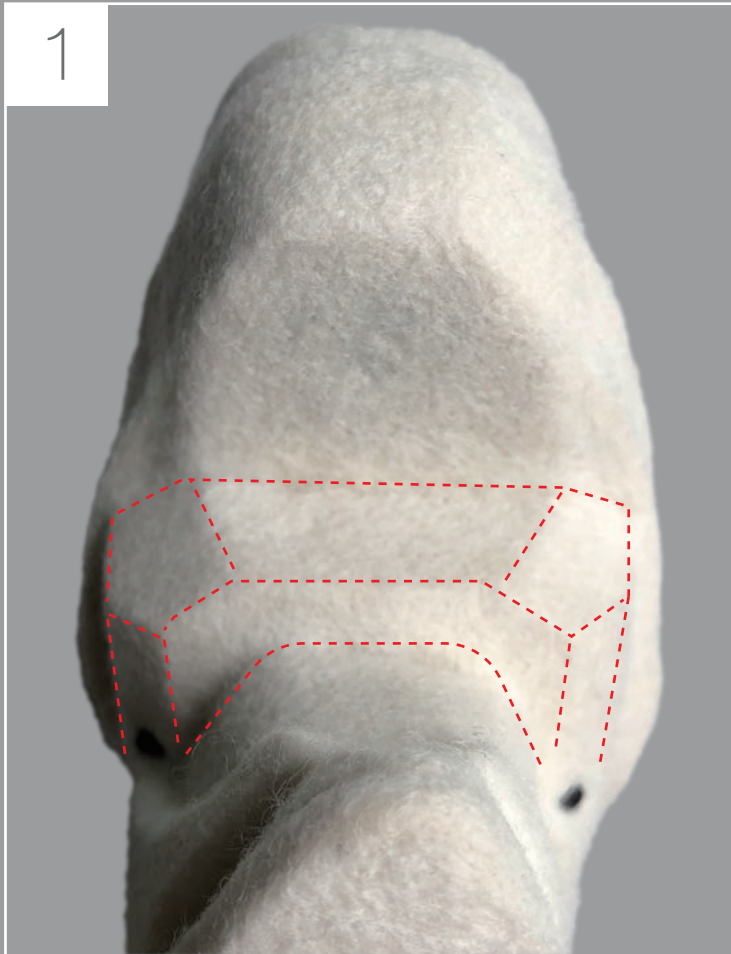
**J** x 3 Thickness 2mm

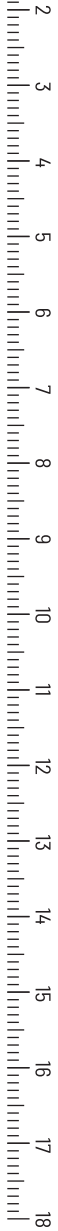




**Reference photos**

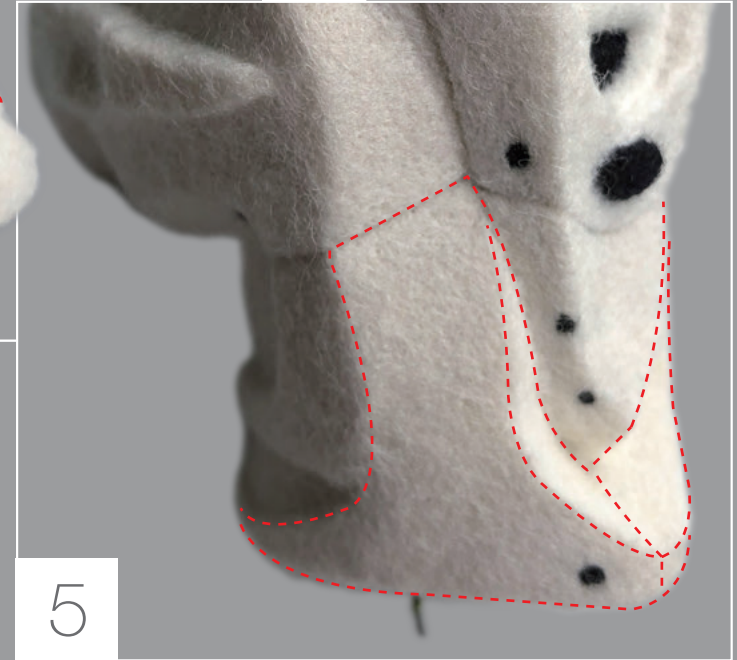
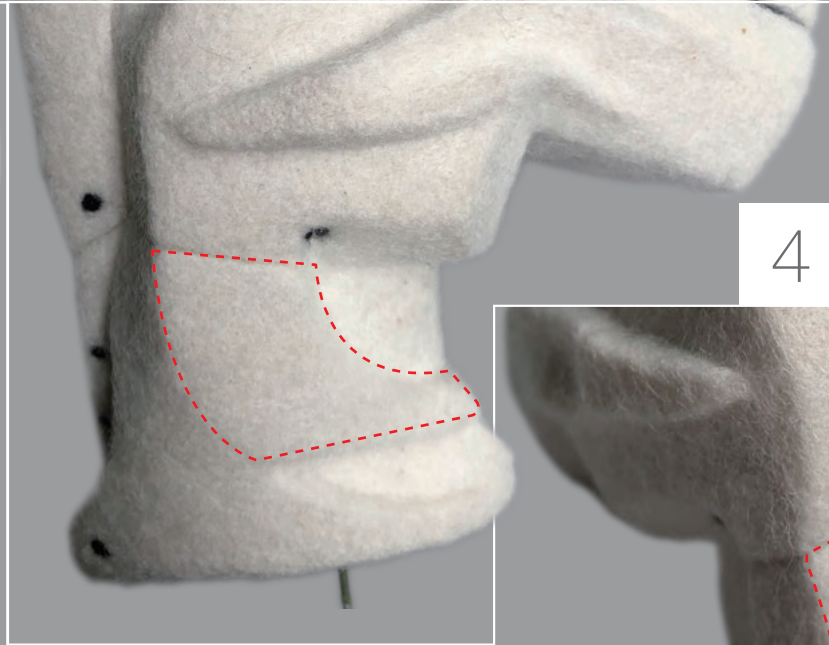
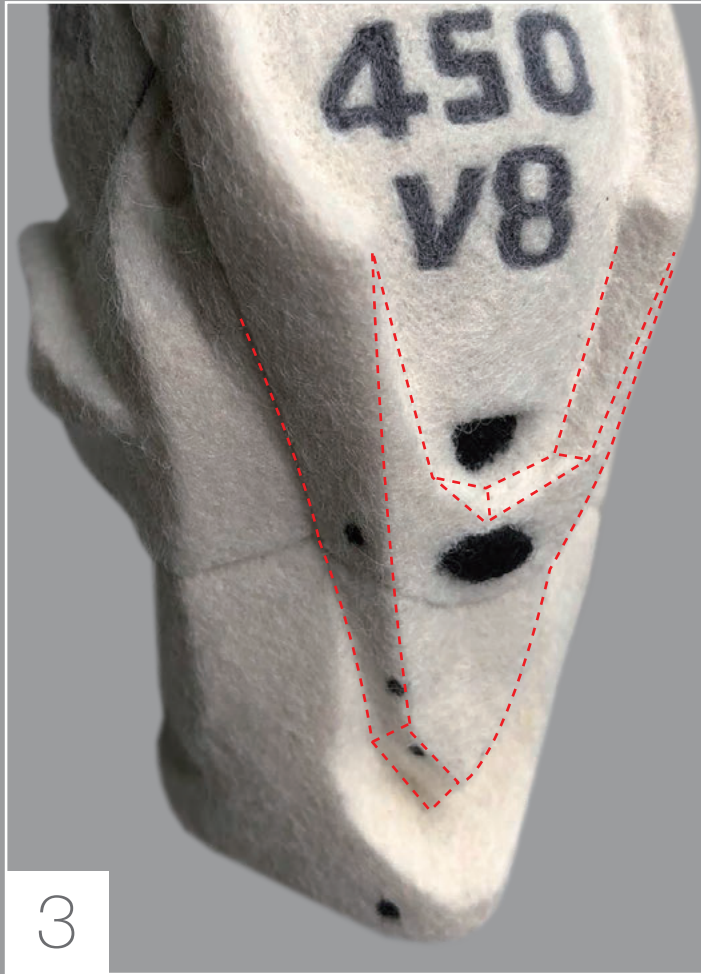
Surface indents and bumps are shown with dotted lines for easy understanding. Please use as a reference.

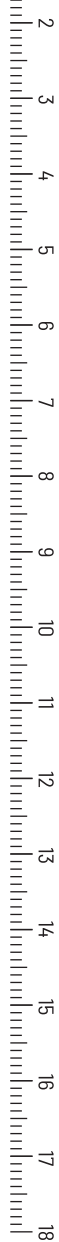




**Reference photos**

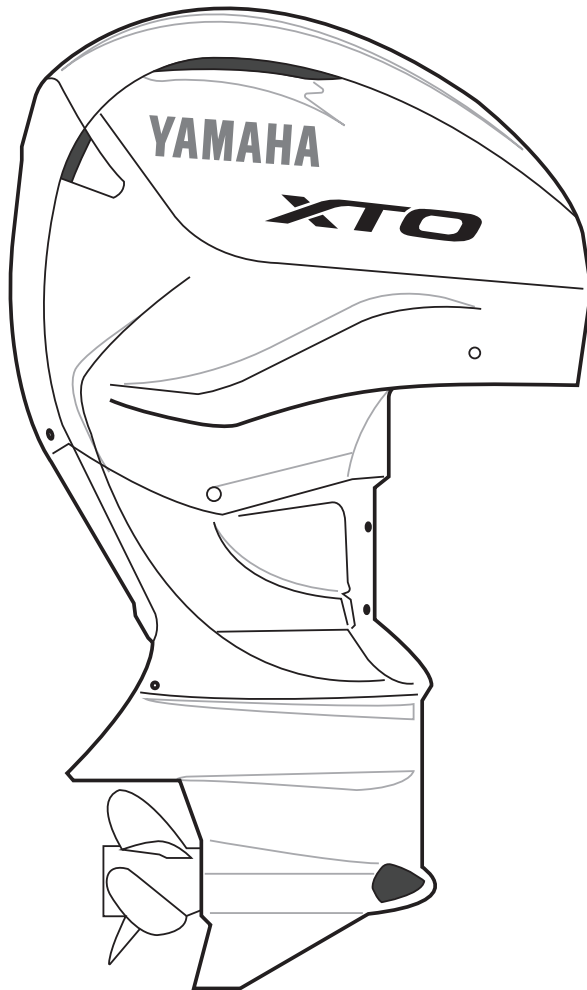
Surface indents and bumps are shown with dotted lines for easy understanding. Please use as a reference.





### Form reference

Deformation diagram of the product as the basis for wool felting.



### Logo data

The logo on the actual product is shown.  
Use as a reference and apply to your work as small as you can.

