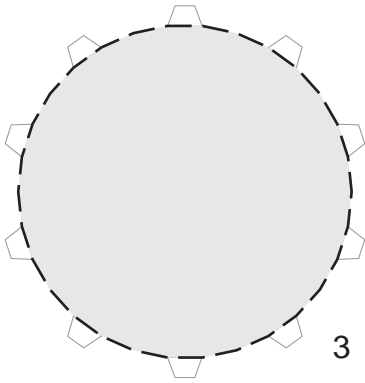


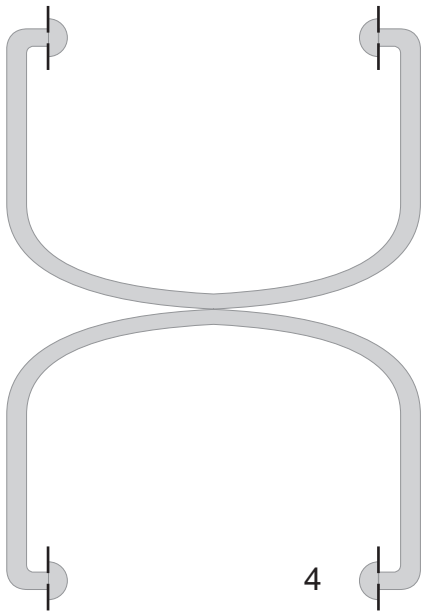
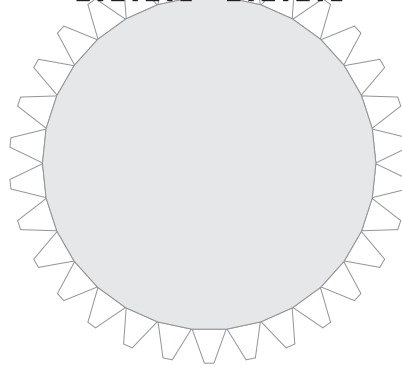
1



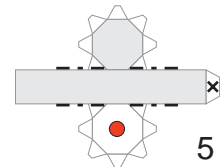
2



3



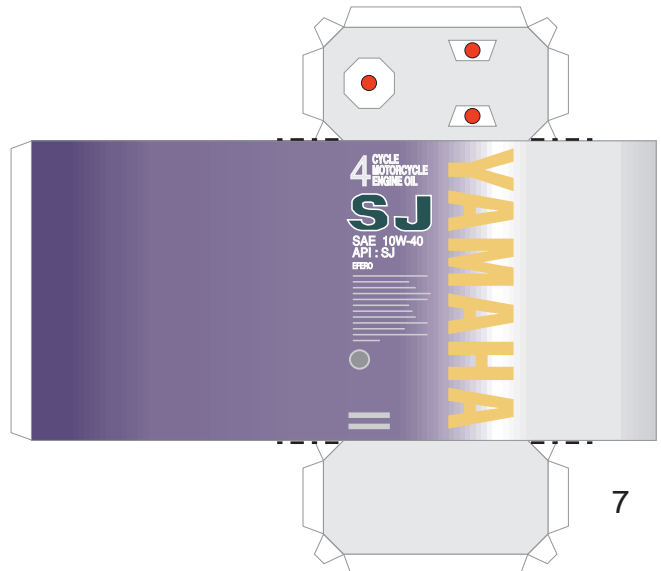
4



5



6



7

# Assembling the Engine Oil

First, assemble each component by following the working method and markings. Then, refer to the illustration and photos below to glue the parts together.

Indication of Working Methods

 Fold or Curve  Adhere

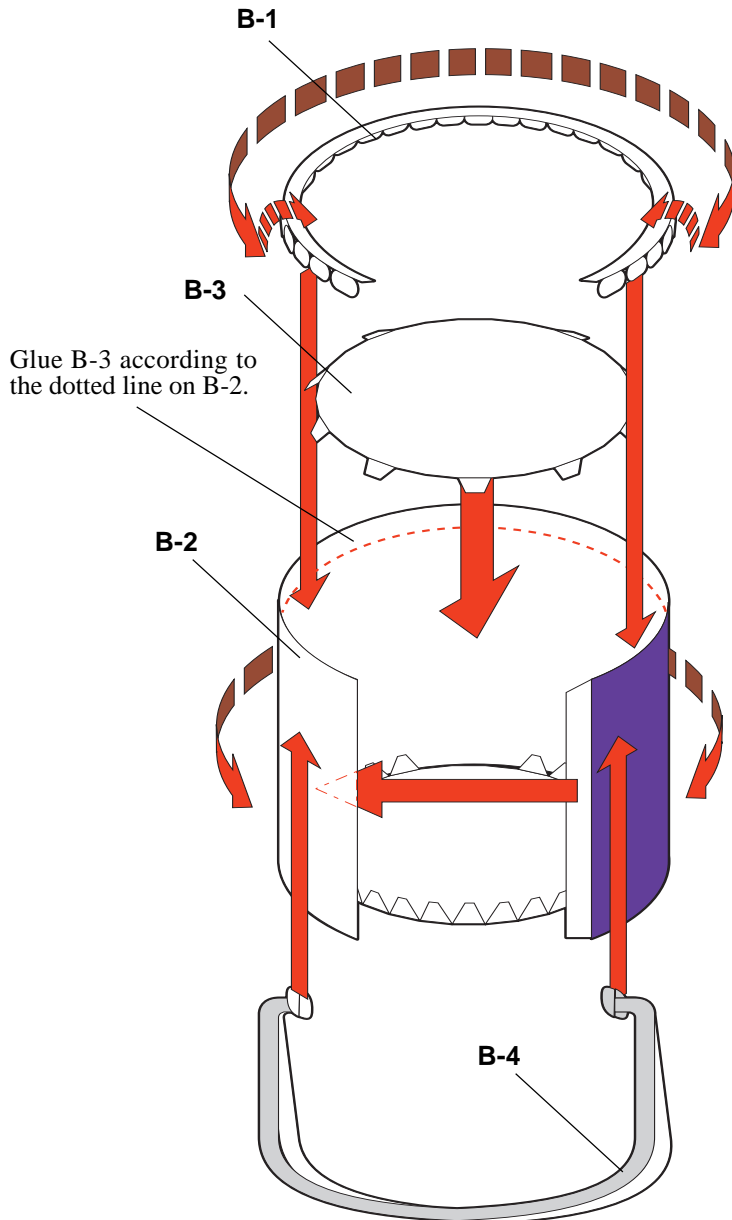
## Engine Oil

Sheet B, 7 parts in total

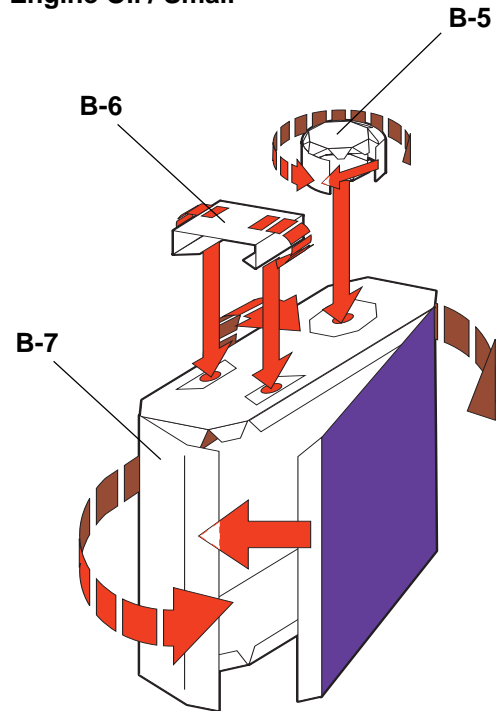
Fold each relevant part according to the assembly symbols.

Please use the ● dots on each component as reference when gluing surfaces.

### Engine Oil / Large



### Engine Oil / Small



### Reference photo

