

Assembling the Maintenance Chemicals

First, assemble each component by following the working method and markings. Then, refer to the illustration and photos below to glue the parts together.

Indication of Working Methods

■■■■▶ Fold or Curve ▶ Adhere

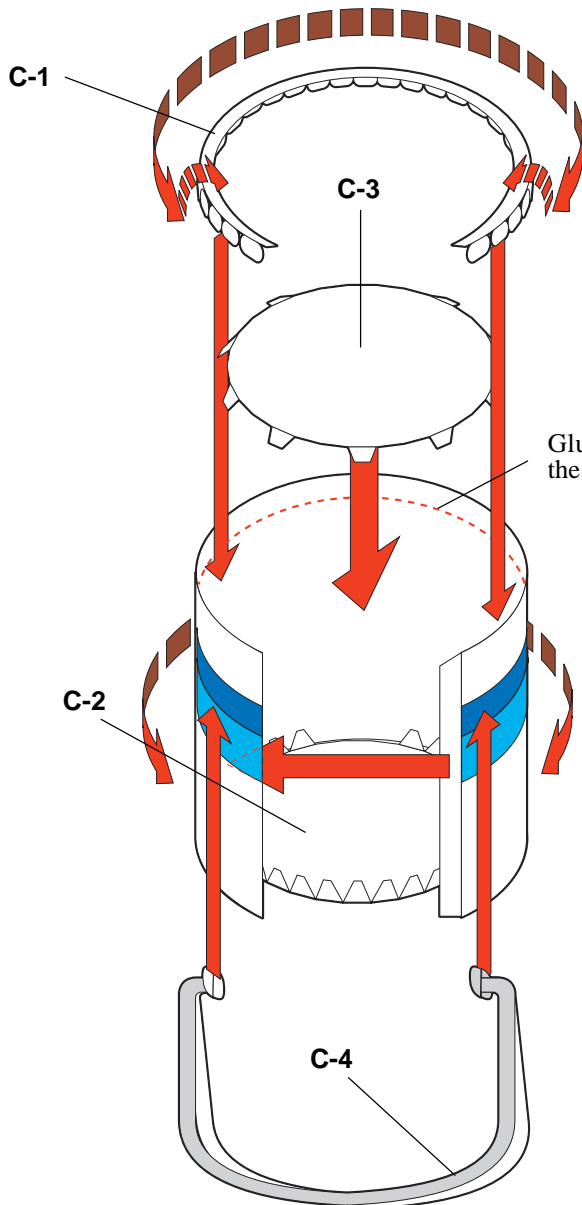
Maintenance Chemicals

Sheet C, 8 parts in total

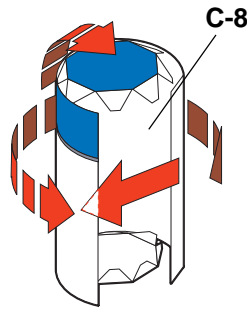
Fold each relevant part according to the assembly symbols.

Please use the ● dots on each component as reference when gluing surfaces.

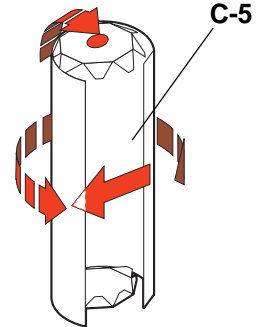
Long Life Coolant



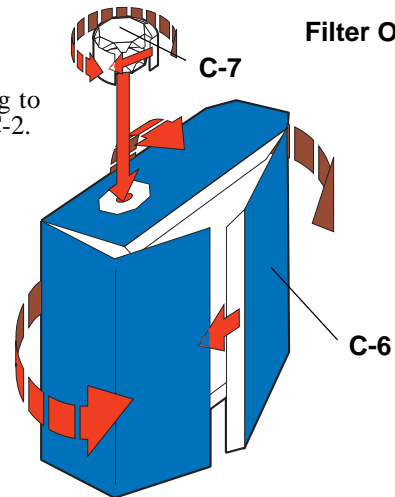
Grease Spray



Filter Oil / Small



Filter Oil / Large



Glue C-3 according to the dotted line on C-2.

Reference photo

