

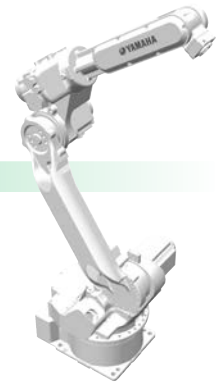
# YA-R6F

6-axis

● Maximum payload 6 kg

● Longest Reach R1422 mm

Note. The YA series does not comply with the EU RoHS directive.



## Ordering method

<b>YA-R6F</b>	<b>4L</b>	<b>YAC100</b>	<b>N</b>			
Model	Power cable length 4L: 4m	Controller	Safety standard N: Normal	Language setting JE: Japanese/English JC: Japanese/Chinese EJ: English/Japanese EC: English/Chinese	Option I/O N, P: Standard I/O 28/28 N1, P1: 56/56 points N2, P2: 84/84 points N3, P3: 112/112 points N4, P4: 140/140 points	Network option No entry : None CC: CC-Link DM: DeviceNet master DS: DeviceNet slave PB: PROFIBUS EP: EtherNet/IP™ PM: Profinet master PT: Profinet slave ES: EtherCAT slave

Note. Thanks to the higher control rate of the YAC100 controller and vibration-damping control of the arm, we have reduced the residual vibration when the arm stops moving, while shortening the cycle time and achieving the fastest speed in this class.

Note. Longest reach in its class (1422 mm) and increased moment capacity of the wrist.

Note. Floor-mounted, wall-mounted, and ceiling-mounted types are available. Please contact us separately regarding wall-mounted or ceiling-mounted installations.

Note. This unit can also be used in combination with a travel axis or other external axis. Please contact us.

## Specifications

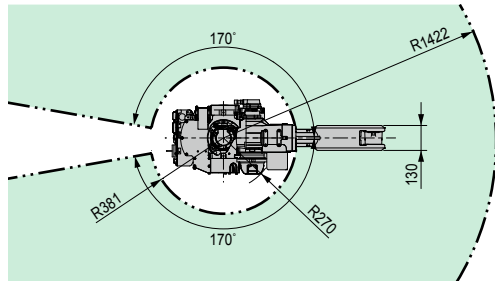
Controlled Axis	6	
Payload	6 kg	
Repeatability	±0.08 mm	
Range of Motion	S-axis (turning)	-170° to +170° Note 1
	L-axis (lower Arm)	-90° to +155°
	U-axis (upper arm)	-175° to +250°
	R-axis (wrist roll)	-180° to +180°
	B-axis (wrist pitch/yaw)	-45° to +225°
	T-axis (wrist twist)	-360° to +360°
Maximum Speed	S-axis (turning)	3.84 rad/s, 220°/s
	L-axis (lower Arm)	3.49 rad/s, 200°/s
	U-axis (upper arm)	3.84 rad/s, 220°/s
	R-axis (wrist roll)	7.16 rad/s, 410°/s
	B-axis (wrist pitch/yaw)	7.16 rad/s, 410°/s
	T-axis (wrist twist)	10.65 rad/s, 610°/s
Allowable Moment	R-axis (wrist roll)	11.8 N·m
	B-axis (wrist pitch/yaw)	9.8 N·m
	T-axis (wrist twist)	5.9 N·m
	Allowable Inertia (GD <sup>2</sup> /4)	R-axis (wrist roll) B-axis (wrist pitch/yaw) T-axis (wrist twist)
Mass	130 kg	
	Temperature	0 to +45°C
Ambient Conditions	Humidity	20 to 80%RH (non-condensing)
	Vibration	4.9 m/s <sup>2</sup> or less
	Others	• Free from corrosive gasses or liquids, or explosive gasses • Free from exposure to water, oil, or dust • Free from excessive electrical noise (plasma)
	Power Requirements <sup>Note 2</sup>	1.0 kVA

Note 1. For wall-mounted installation, the S-axis operating range is ±30°.

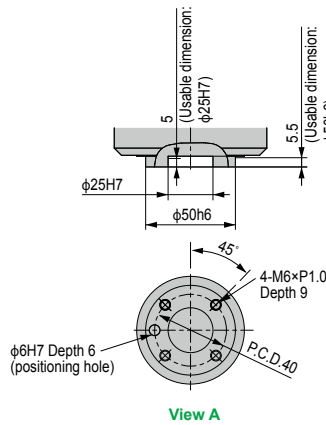
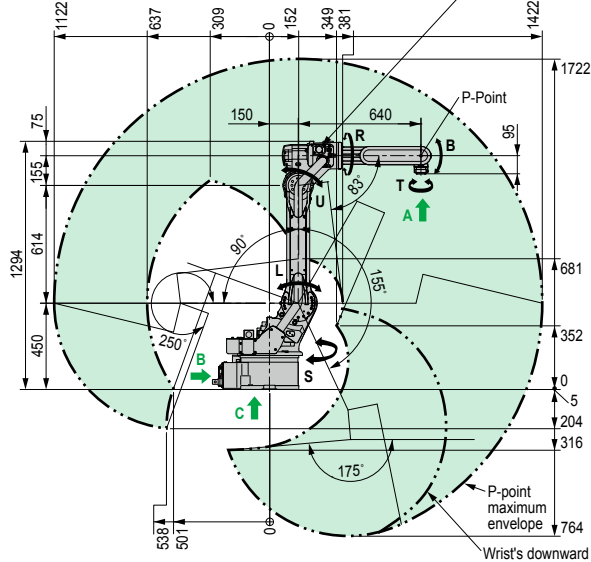
Note 2. Varies in accordance with applications and motion patterns.

Note. SI units are used for specifications.

## YA-R6F



Arm side  
The cable that fits with the device's cable connector is an optional item. Please purchase it separately.  
<Part number> KEM-M4870-30



Units: mm □ : P-point maximum envelope

