

YK350XGP

Dust-proof & drip-proof type

- Arm length 350mm
- Maximum payload 4kg

Ordering method

YK350XGP - 150 **S** **RCX340-4**

Model	Z axis stroke 150: 150mm	Tool flange No entry: None F: With tool flange	Hollow shaft S: With hollow shaft	Cable 3L: 3.5m 5L: 5m 10L: 10m	Controller / Number of controllable axes	Safety standard	Option A (OP.A)	Option B (OP.B)	Option C (OP.C)	Option D (OP.D)	Option E (OP.E)	Absolute battery
-------	-----------------------------	--	--------------------------------------	---	--	-----------------	-----------------	-----------------	-----------------	-----------------	-----------------	------------------

Specify various controller setting items. RCX340 ▶ **P.566**

Specifications

		X-axis	Y-axis	Z-axis	R-axis
Axis specifications	Arm length	200 mm	150 mm	150 mm	-
	Rotation angle	+/-129 °	+/-134 °	-	+/-360 °
AC servo motor output		200 W	150 W	50 W	100 W
Deceleration mechanism	Transmission method	Direct-coupled			
	Motor to speed reducer Speed reducer to output	Direct-coupled			
Repeatability ^{Note 1}		+/-0.01 mm	+/-0.01 mm	+/-0.004 °	
Maximum speed		5.6 m/sec	1.1 m/sec	1020 °/sec	
Maximum payload		4 kg			
Standard cycle time: with 2kg payload ^{Note 2}		0.52 sec			
R-axis tolerable moment of inertia ^{Note 3}		0.05 kgm ²			
Protection class ^{Note 4}		Equivalent to IP65 (IEC 60529)			
User wiring		0.2 sq × 10 wires			
User tubing (Outer diameter)		φ 4 × 4			
Travel limit		1.Soft limit 2.Mechanical stopper (X,Y,Z axis)			
Robot cable length		Standard: 3.5 m Option: 5 m, 10 m			
Weight		22 kg			

Note 1. This is the value at a constant ambient temperature. (X,Y axes)
 Note 2. When reciprocating 25mm in vertical direction and 300mm in horizontal direction (rough-positioning arch motion).
 Note 3. The acceleration coefficient is set automatically in accordance with the tip weight and R-axis moment of inertia settings.
 Note 4. Do not use robots where the bellows section is directly exposed to water jet. Contact our distributor for information on drip-proof structure preventing liquid other than water.

Controller

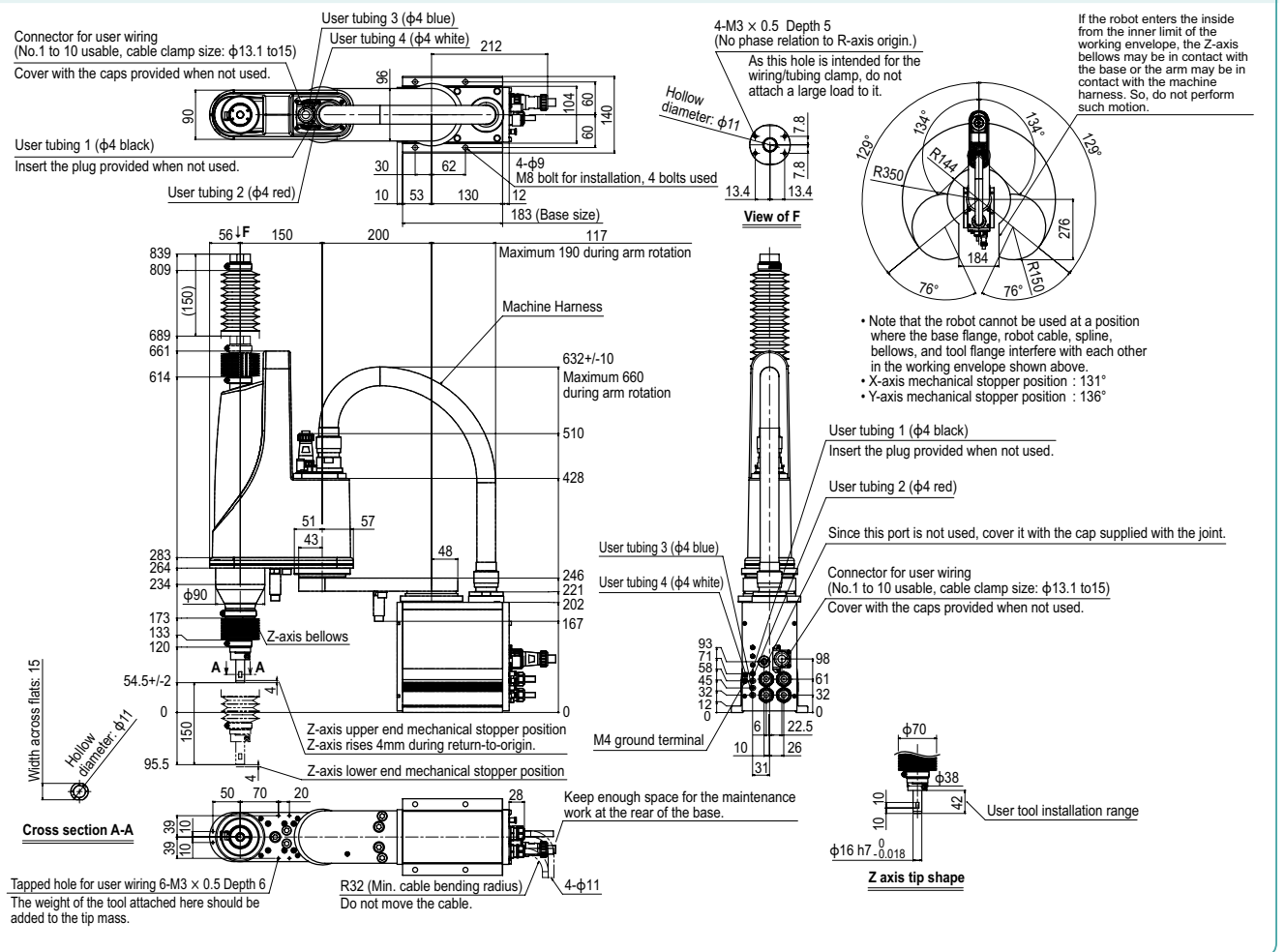
Controller	Power capacity (VA)	Operation method
RCX340	1000	Programming / I/O point trace / Remote command / Operation using RS-232C communication

Note. The movement range can be limited by changing the positions of X and Y axis mechanical stoppers. (The movement range is set to the maximum at the time of shipment.)
 See our robot manuals (installation manuals) for detailed information.

Note. To set the standard coordinates with high accuracy, use a standard coordinate setting jig (option). Refer to the user's manual (installation manual) for more details.

Our robot manuals (installation manuals) can be downloaded from our website at the address below:
<https://global.yamaha-motor.com/business/robot/>

YK350XGP



Articulated robots
 YA
 Linear conveyor modules
 LCM100
 Motor-assist single axis reducer
 Robonity
 Compact single-axis robots
 TRANSEVO
 Single-axis robots
 FLIP-X
 Linear motor single-axis robots
 PHASER
 Cartesian robots
 XY-X
 SCARA robots
 YK-X
 Pick & place robots
 YP-X
 CLEAN
 CONTROLLER INFORMATION
 Orbital/Extra small type
 Small / Medium type
 Large type
 Wall mount / Inverse type
 Dust-proof & drip-proof type

YK350XGP Tool flange mount type

