

YK800XGP

Dust-proof & drip-proof type

- Arm length 800mm
- Maximum payload 20kg

Ordering method

YK800XGP		F		RCX340-4							
Model	Z axis stroke	Tool flange	Cable	Controller / Number of controllable axes	Safety standard	Option A (OP.A)	Option B (OP.B)	Option C (OP.C)	Option D (OP.D)	Option E (OP.E)	Absolute battery
	200: 200mm 400: 400mm	F: With tool flange	3L: 3.5m 5L: 5m 10L: 10m								

Specify various controller setting items. RCX340 ▶ **P.566**

Specifications

		X-axis	Y-axis	Z-axis	R-axis
Axis specifications	Arm length	400 mm	400 mm	200 mm / 400 mm	—
	Rotation angle	+/-130 °	+/-150 °	—	+/-360 °
AC servo motor output		750 W	400 W	400 W	200 W
Deceleration mechanism	Transmission method	Direct-coupled			
	Motor to speed reducer Speed reducer to output	Direct-coupled			
Repeatability ^{Note 1}		+/-0.02 mm	+/-0.01 mm	+/-0.004 °	
Maximum speed		9.2 m/sec	2.3 m/sec / 1.7 m/sec	920 °/sec	
Maximum payload		20 kg			
Standard cycle time: with 2kg payload ^{Note 2}		0.58 sec			
R-axis tolerable moment of inertia ^{Note 3}		1.0 kgm ²			
Protection class ^{Note 4}		Equivalent to IP65 (IEC 60529)			
User wiring		0.2 sq × 20 wires			
User tubing (Outer diameter)		φ 6 × 3			
Travel limit		1. Soft limit 2. Mechanical stopper (X,Y,Z axis)			
Robot cable length		Standard: 3.5 m Option: 5 m, 10 m			
Weight		Z axis 200 mm: 56 kg Z axis 400 mm: 58 kg			

Note 1. This is the value at a constant ambient temperature. (X,Y axes)
 Note 2. When reciprocating 25mm in vertical direction and 300mm in horizontal direction (rough-positioning arch motion).
 Note 3. The acceleration coefficient is set automatically in accordance with the tip weight and R-axis moment of inertia settings.
 Note 4. Do not use robots where the bellows section is directly exposed to water jet. Contact our distributor for information on drip-proof structure preventing liquid other than water.

Controller

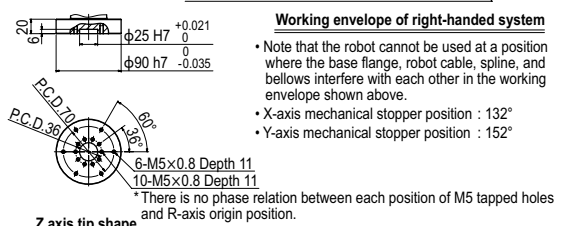
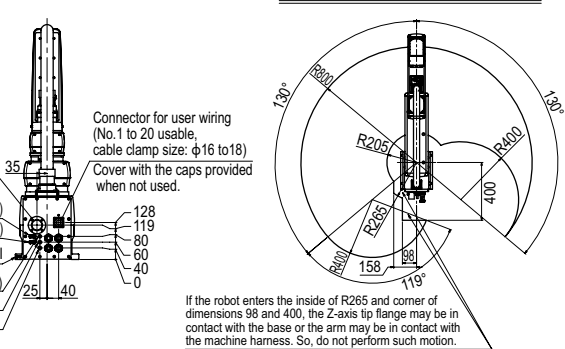
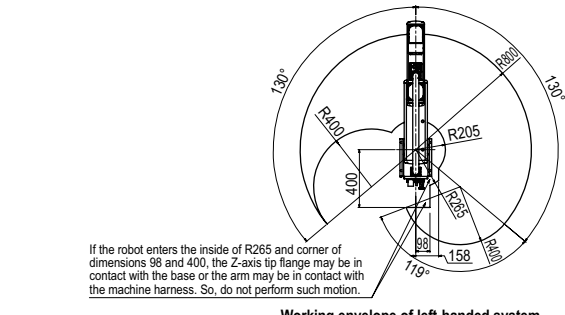
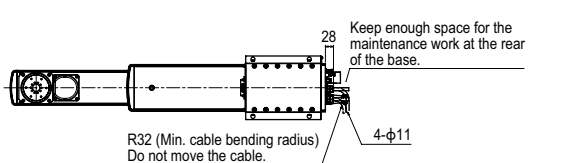
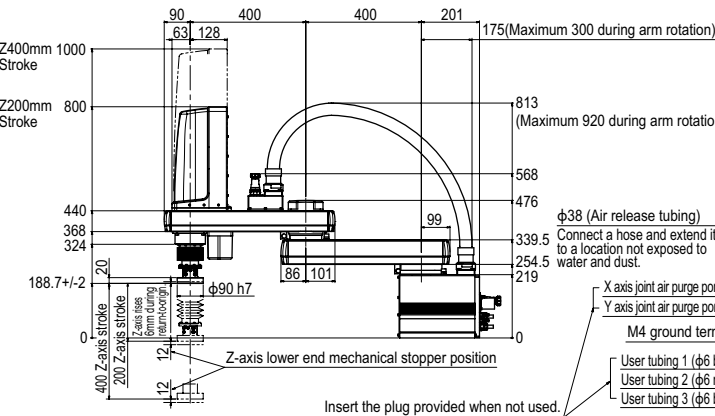
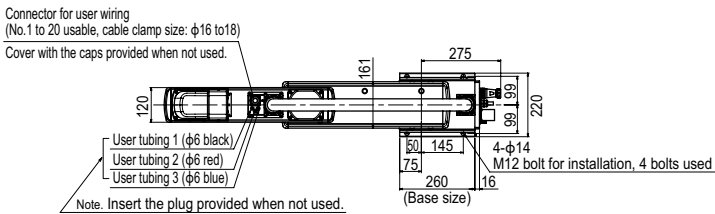
Controller	Power capacity (VA)	Operation method
RCX340	2500	Programming / I/O point trace / Remote command / Operation using RS-232C communication

Note. The movement range can be limited by changing the positions of X and Y axis mechanical stoppers. (The movement range is set to the maximum at the time of shipment.)
 See our robot manuals (installation manuals) for detailed information.

Note. To set the standard coordinates with high accuracy, use a standard coordinate setting jig (option). Refer to the user's manual (installation manual) for more details.

Our robot manuals (installation manuals) can be downloaded from our website at the address below:
<https://global.yamaha-motor.com/business/robot/>

YK800XGP



Articulated robots
YA
Linear conveyor modules
LCM100
Motor-assist single axis actuator
Robonity
Compact single-axis robots
TRANSEVO
Single-axis robots
FLIP-X
Linear motor single-axis robots
PHASER
Cartesian robots
XY-X
SCARA robots
YK-X
Pick & place robots
YP-X
CLEAN
CONTROLLER INFORMATION
Extra small type
Oht/ Small / Medium type
Large type
Wall mount / Inverse type
Dust-proof & drip-proof type