

YK600XGP

Dust-proof & drip-proof type

- Arm length 600mm
- Maximum payload 10kg

Ordering method

YK600XGP	F	RCX340-4									
Model	Z axis stroke	Tool flange	Cable	Controller / Number of controllable axes	Safety standard	Option A (OP.A)	Option B (OP.B)	Option C (OP.C)	Option D (OP.D)	Option E (OP.E)	Absolute battery
	200: 200mm 300: 300mm	F: With tool flange	3L: 3.5m 5L: 5m 10L: 10m								

Specify various controller setting items. RCX340 ▶ **P.566**

Specifications

		X-axis	Y-axis	Z-axis	R-axis
Axis specifications	Arm length	300 mm	300 mm	200 mm / 300 mm	—
	Rotation angle	+/-130 °	+/-145 °	—	+/-360 °
AC servo motor output		400 W	200 W	200 W	200 W
Deceleration mechanism	Transmission method	Direct-coupled			
	Motor to speed reducer	Direct-coupled			
Repeatability <small>Note 1</small>	Speed reducer to output	Direct-coupled			
		+/-0.01 mm	+/-0.01 mm	+/-0.004 °	
Maximum speed		8.4 m/sec	2.3 m/sec	1.7 m/sec	1700 °/sec
Maximum payload		10 kg			
Standard cycle time: with 2kg payload <small>Note 2</small>		0.56 sec			
R-axis tolerable moment of inertia <small>Note 3</small>		0.3 kgm ²			
Protection class <small>Note 4</small>		Equivalent to IP65 (IEC 60529)			
User wiring (sq × wires)		0.2 × 20			
User tubing (Outer diameter)		φ 6 × 3			
Travel limit		1.Soft limit 2.Mechanical stopper (X,Y,Z axis)			
Robot cable length		Standard: 3.5 m Option: 5 m, 10 m			
Weight		Z axis 200 mm: 33 kg Z axis 300 mm: 34 kg			

Note 1. This is the value at a constant ambient temperature. (X,Y axes)
 Note 2. When reciprocating 25mm in vertical direction and 300mm in horizontal direction (rough-positioning arch motion).
 Note 3. The acceleration coefficient is set automatically in accordance with the tip weight and R-axis moment of inertia settings.
 Note 4. Do not use robots where the bellows section is directly exposed to water jet. Contact our distributor for information on drip-proof structure preventing liquid other than water.

Controller

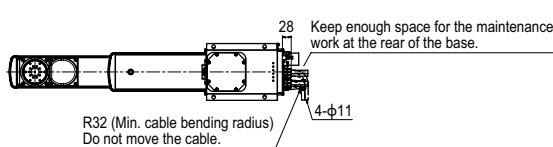
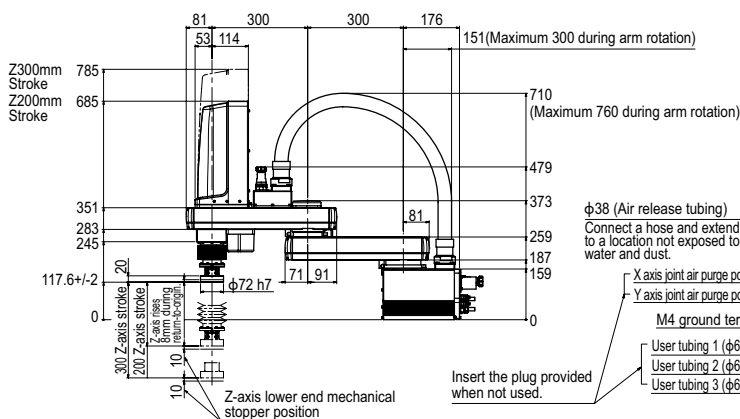
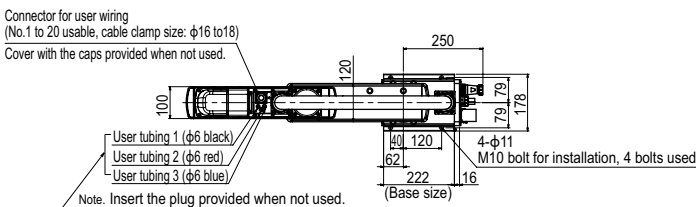
Controller	Power capacity (VA)	Operation method
RCX340	1700	Programming / I/O point trace / Remote command / Operation using RS-232C communication

Note. The movement range can be limited by changing the positions of X and Y axis mechanical stoppers. (The movement range is set to the maximum at the time of shipment.)
 See our robot manuals (installation manuals) for detailed information.

Note. To set the standard coordinates with high accuracy, use a standard coordinate setting jig (option). Refer to the user's manual (installation manual) for more details.

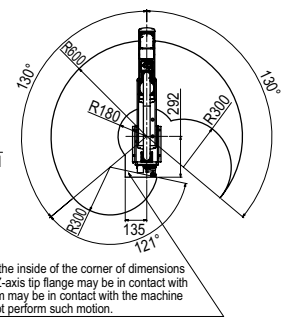
Our robot manuals (installation manuals) can be downloaded from our website at the address below:
<https://global.yamaha-motor.com/business/robot/>

YK600XGP



If the robot enters the inside of the corner of dimensions 135 and 292, the Z-axis tip flange may be in contact with the base or the arm may be in contact with the machine harness. So, do not perform such motion.

Working envelope of left-handed system



Working envelope of right-handed system

- Note that the robot cannot be used at a position where the base flange, robot cable, spline, and bellows interfere with each other in the working envelope shown above.
- X-axis mechanical stopper position : 132°
- Y-axis mechanical stopper position : 147°

Z axis tip shape