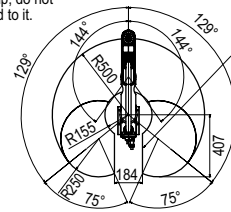
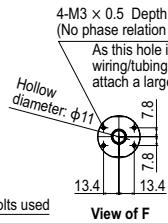
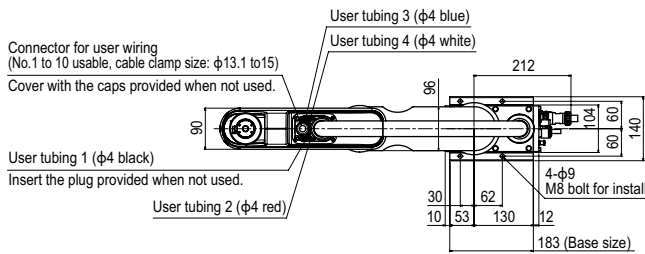
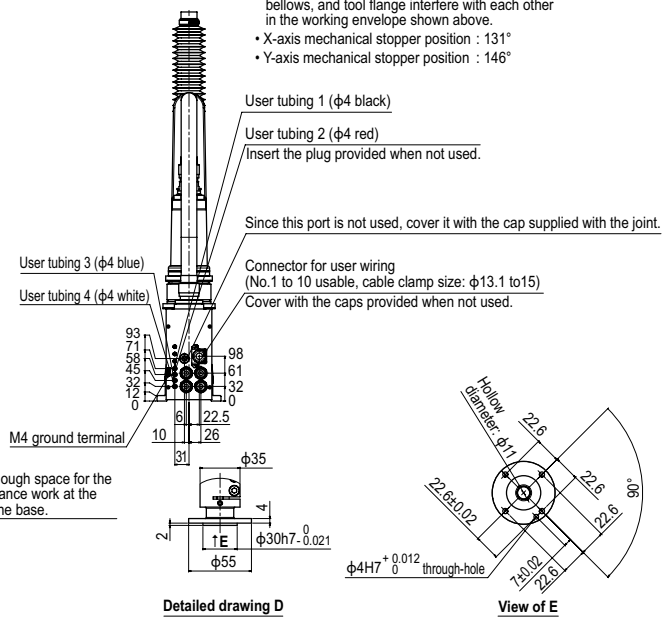
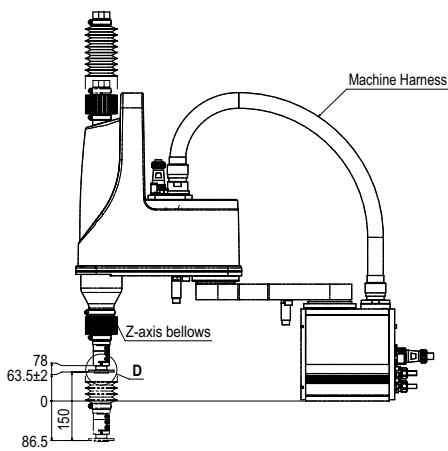


YK500XGLP Tool flange mount type



If the robot enters the inside from the inner limit of the working envelope, the Z-axis bellows may be in contact with the base or the arm may be in contact with the machine harness. So, do not perform such motion.

- Note that the robot cannot be used at a position where the base flange, robot cable, spline, bellows, and tool flange interfere with each other in the working envelope shown above.
- X-axis mechanical stopper position : 131°
- Y-axis mechanical stopper position : 146°



Tapped hole for user wiring 6-M3 x 0.5 Depth 6
The weight of the tool attached here should be added to the tip mass.

Keep enough space for the maintenance work at the rear of the base.

R32 (Min. cable bending radius)
Do not move the cable.

4- $\phi 11$