

# YK350XGP

Dust-proof & drip-proof type

- Arm length 350mm
- Maximum payload 4kg

## Ordering method

**YK350XGP - 150**

<b>Model</b>	<b>Z axis stroke</b>	<b>Tool flange</b>	<b>Hollow shaft</b>	<b>Cable</b>
	150: 150mm	No entry: None F: With tool flange	S: With hollow shaft	3L: 3.5m 5L: 5m 10L: 10m

**RCX340-4**

<b>Controller / Number of controllable axes</b>	<b>Safety standard</b>	<b>Option A (OP.A)</b>	<b>Option B (OP.B)</b>	<b>Option C (OP.C)</b>	<b>Option D (OP.D)</b>	<b>Option E (OP.E)</b>	<b>Absolute battery</b>
---	------------------------	------------------------	------------------------	------------------------	------------------------	------------------------	-------------------------

Specify various controller setting items. RCX340 ▶ **P.508**

**RCX240S**

<b>Controller</b>	<b>CE Marking</b>	<b>Expansion I/O</b>	<b>Network option</b>	<b>iVY System</b>	<b>Gripper</b>	<b>Battery</b>
-------------------	-------------------	----------------------	-----------------------	-------------------	----------------	----------------

Specify various controller setting items. RCX240/RCX240S ▶ **P.495**

## Specifications

		X-axis	Y-axis	Z-axis	R-axis
<b>Axis specifications</b>	<b>Arm length</b>	200 mm	150 mm	150 mm	-
	<b>Rotation angle</b>	+/-129 °	+/-134 °	-	+/-360 °
<b>AC servo motor output</b>		200 W	150 W	50 W	100 W
<b>Deceleration mechanism</b>	<b>Speed reducer</b>	Harmonic drive	Harmonic drive	Ball screw	Harmonic drive
	<b>Transmission method</b>	Direct-coupled			
	<b>Motor to speed reducer</b> <b>Speed reducer to output</b>	Direct-coupled			
<b>Repeatability</b> <small>Note 1</small>	+/-0.01 mm		+/-0.01 mm	+/-0.004 °	
<b>Maximum speed</b>		5.6 m/sec	1.1 m/sec	1020 °/sec	
<b>Maximum payload</b>		4 kg			
<b>Standard cycle time: with 2kg payload</b> <small>Note 2</small>		0.57 sec			
<b>R-axis tolerable moment of inertia</b> <small>Note 3</small>		0.05 kgm <sup>2</sup>			
<b>Protection class</b> <small>Note 4</small>		Equivalent to IP65 (IEC 60529)			
<b>User wiring</b>		0.2 sq x 10 wires			
<b>User tubing (Outer diameter)</b>		φ 4 x 4			
<b>Travel limit</b>		1. Soft limit 2. Mechanical stopper (X,Y,Z axis)			
<b>Robot cable length</b>		Standard: 3.5 m Option: 5 m, 10 m			
<b>Weight</b>		22 kg			

Note 1. This is the value at a constant ambient temperature. (X,Y axes)

Note 2. When reciprocating 25mm in vertical direction and 300mm in horizontal direction (rough-positioning arch motion).

Note 3. There are limits to acceleration coefficient settings. See P.537.

Note 4. Do not use robots where the bellows section is directly exposed to water jet. Contact our distributor for information on drip-proof structure preventing liquid other than water.

## Controller

Controller	Power capacity (VA)	Operation method
RCX340 RCX240S	1000	Programming / I/O point trace / Remote command / Operation using RS-232C communication

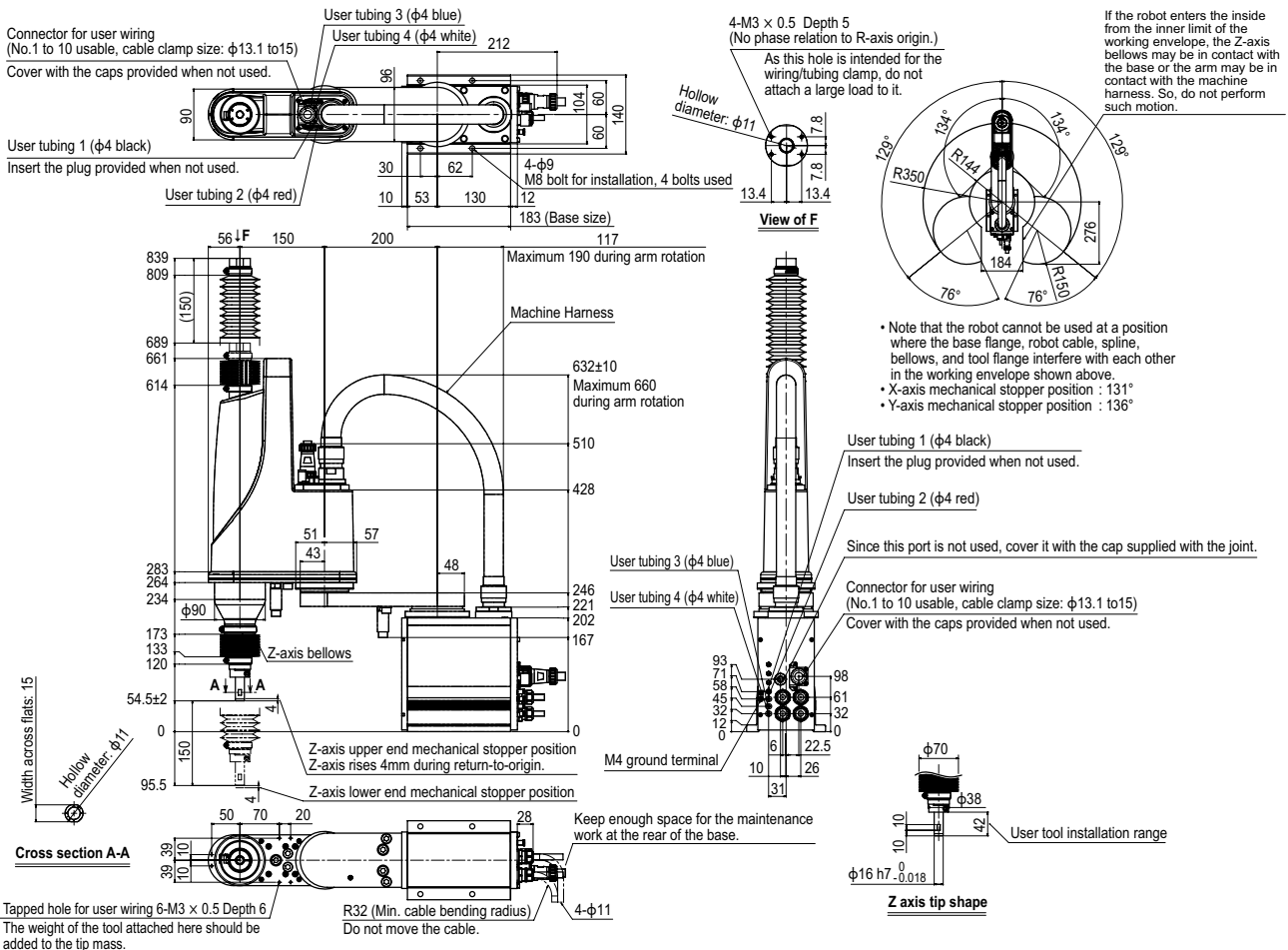
Note. "Harmonic" and "Harmonic drive" are the registered trademarks of Harmonic Drive Systems Inc.

Note. The movement range can be limited by changing the positions of X and Y axis mechanical stoppers. (The movement range is set to the maximum at the time of shipment.) See our robot manuals (installation manuals) for detailed information.

Note. To set the standard coordinates with high accuracy, use a standard coordinate setting jig (option). Refer to the user's manual (installation manual) for more details.

Our robot manuals (installation manuals) can be downloaded from our website at the address below:  
<http://global.yamaha-motor.com/business/robot/>

## YK350XGP



APPLICATION  
Linear conveyor / modules  
LCM100  
Compact single-axis robots  
TRANSEURO  
Single-axis robots  
FLIP-X  
Linear motor single-axis robots  
PHASER  
Cartesian robots  
XX-X  
SCARA robots  
YK-X  
Pick & place robots  
YP-X  
CLEAN  
CONTROLLER INFORMATION  
Orbit / Tray type  
Small / Medium type  
Large type  
Walk-mount / Inverse type  
Dust-proof & drip-proof type

## YK350XGP Tool flange mount type

