

YA-R5F 6-axis

● Maximum payload 5 kg ● Longest Reach R706 mm

Ordering method

YA-R5F	4L	YAC100				
Model	Power cable length	Controller	Safety standard	Language setting	Option I/O	Network option
	4L: 4m		N: Normal E: CE marking	JE: Japanese/English JC: Japanese/Chinese EJ: English/Japanese EC: English/Chinese	N, P: Standard I/O 28/28 N1, P1: 56/56 points N2, P2: 84/84 points N3, P3: 112/112 points N4, P4: 140/140 points	No entry : None CC: CC-Link DM: DeviceNet master DS: DeviceNet slave PB: PROFIBUS EP: EtherNet/IP™ PM: Profinet master PT: Profinet slave ES: EtherCAT slave



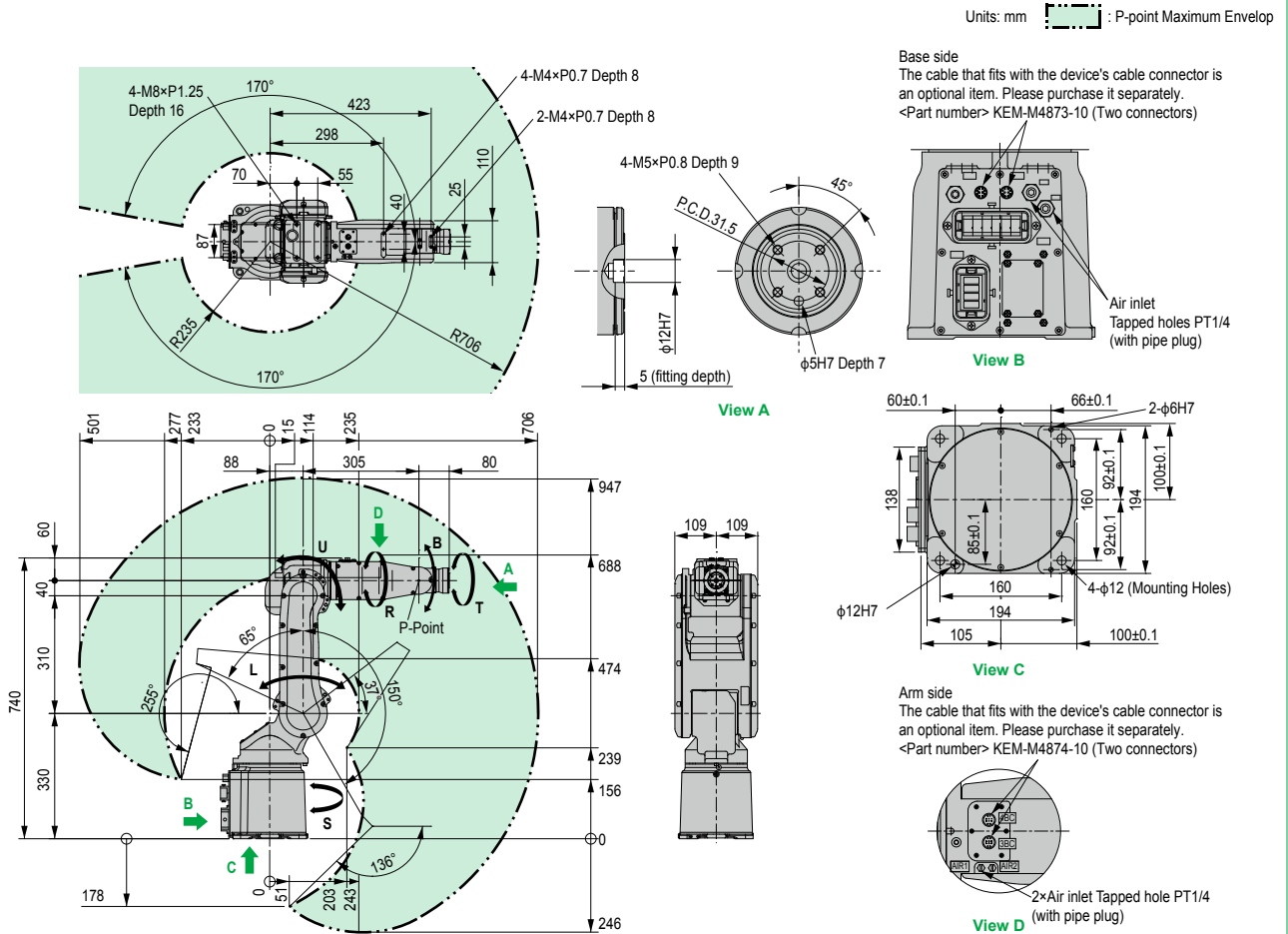
Note. Thanks to the higher control rate of the YAC100 controller and vibration-damping control of the arm, we have reduced the residual vibration when the arm stops moving, while shortening the cycle time and achieving the fastest speed in this class.
 Note. Longest reach in a respective class (706 mm)
 Note. Floor-mounted, wall-mounted, and ceiling-mounted types are available. Please contact us separately regarding wall-mounted or ceiling-mounted installations.
 Note. This unit can also be used in combination with a travel axis or other external axis. Please contact us.

Specifications

Controlled Axis	6	Allowable Moment	R-axis (wrist roll)	12 N·m	
Payload	5 kg	Allowable Inertia (GD²/4)	B-axis (wrist pitch/yaw)	12 N·m	
Repeatability	±0.02 mm		T-axis (wrist twist)	7 N·m	
Range of Motion	S-axis (turning)	-170° to +170° ^{Note 1}	R-axis (wrist roll)	0.3 kg·m ²	
	L-axis (lower Arm)	-65° to +150°	B-axis (wrist pitch/yaw)	0.3 kg·m ²	
	U-axis (upper arm)	-136° to +255°	T-axis (wrist twist)	0.1 kg·m ²	
	R-axis (wrist roll)	-190° to +190°	Mass	27 kg	
	B-axis (wrist pitch/yaw)	-135° to +135°	Ambient Conditions	Temperature	0 to +45°C
	T-axis (wrist twist)	-360° to +360°		Humidity	20 to 80%RH (non-condensing)
Maximum Speed	S-axis (turning)	6.56 rad/s, 376°/s	Vibration	4.9 m/s ² or less	
	L-axis (lower Arm)	6.11 rad/s, 350°/s	Others	<ul style="list-style-type: none"> Free from corrosive gasses or liquids, or explosive gasses Free from exposure to water, oil, or dust Free from excessive electrical noise (plasma) 	
	U-axis (upper arm)	6.98 rad/s, 400°/s			
	R-axis (wrist roll)	7.85 rad/s, 450°/s			
	B-axis (wrist pitch/yaw)	7.85 rad/s, 450°/s	Power Requirements ^{Note 2}	1.0 kVA	
T-axis (wrist twist)	12.57 rad/s, 720°/s				

Note 1. For wall-mounted installation, the S-axis operating range is ±30°.
 Note 2. Varies in accordance with applications and motion patterns.
 Note. SI units are used for specifications.

YA-R5F



Articulated robots
YA

Linear conveyor modules
LCM100

Compact single-axis robots
TRANSEVO

Single-axis robots
FLIP-X

Linear motor single-axis robots
PHASER

Cartesian robots
XX-X

SCARA robots
YK-X

Pick & place robots
YP-X

CLEAN

CONTROLLER INFORMATION