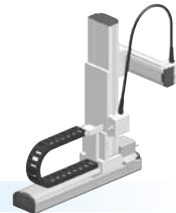


HXYx

3 axes / ZPH

- Pole type
- Cable carrier
- Z-axis: Clamped table / moving base type (200W) for Pole type



Ordering method

HXYx - C - P2 **RCX340-3**

Model	Cable	Combination	X-axis stroke ^{Note 1}	Y-axis stroke ^{Note 1}	ZR-axis	Z-axis stroke	Cable	Controller / Number of controllable axes	Safety standard	Option A (OP.A)	Option B (OP.B)	Option C (OP.C)	Option D (OP.D)	Option E (OP.E)	Absolute battery
			25 to 125cm	25 to 95cm	ZPHL ZPHR	25 to 65cm	3L: 3.5m 5L: 5m 10L: 10m								

Specify various controller setting items. RCX340 ▶ **P.566**

Note 1. The total of the Y and Z strokes should be 1200mm or less.

Specification

	X-axis	Y-axis	Z-axis
Axis construction ^{Note 1}	F20	F20-BK	F14H
AC servo motor output (W)	600	600	200
Repeatability ^{Note 2} (mm)	+/-0.01	+/-0.01	+/-0.01
Drive system	Ball screw ϕ 20	Ball screw ϕ 20	Ball screw ϕ 15
Ball screw lead ^{Note 3} (Deceleration ratio) (mm)	20	10	20
Maximum speed ^{Note 4} (mm/sec)	1200	600	1200
Moving range (mm)	250 to 1250	250 to 950	250 to 650
Robot cable length (m)	Standard: 3.5 Option: 5,10		

Note 1. Use caution that the flame machining (installation holes, tap holes) differs from single-axis robots.
 Note 2. Positioning repeatability in one direction.
 Note 3. Leads not listed in the catalog are also available. Contact us for details.
 Note 4. When the X-axis/Y-axis stroke is longer than 850mm, resonance of the ball screw may occur depending on the operation conditions (critical speed). In this case, reduce the speed setting on the program by referring to the maximum speeds shown in the table below.

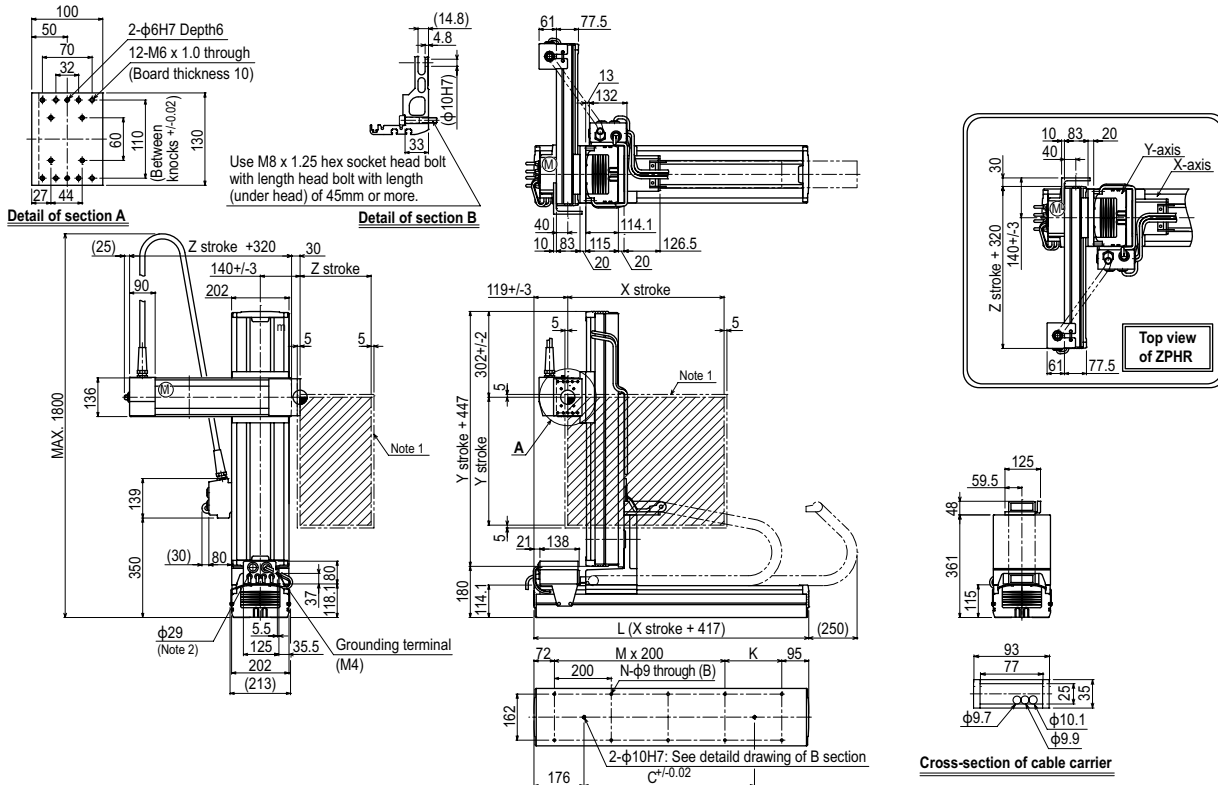
Maximum payload (kg)

Y stroke (mm)	Z stroke (mm)
250 to 950	15

Controller

Controller	Operation method
RCX340	Programming / I/O point trace / Remote command / Operation using RS-232C communication

HXYx 3 axes / ZPHL (P2)



X stroke ^{Note 4}	250	350	450	550	650	750	850	950	1050	1150	1250	
	L	667	767	867	967	1067	1167	1267	1367	1467	1567	1667
K	100	200	100	200	100	200	100	200	100	200	100	
C	420	420	600	600	780	780	960	960	1140	1320	1320	
M	2	2	3	3	4	4	5	5	6	6	7	
N	8	8	10	10	12	12	14	14	16	16	18	
Y stroke ^{Note 4}	250	350	450	550	650	750	850	950				
Z stroke	250	350	450	550	650							
Maximum speed for each stroke (mm/sec) ^{Note 5}	X-axis	1200					960	840	720	600	480	
	Y-axis	600					480	420				
	Speed setting	-					80%	70%	60%	50%	40%	

Note 1. The moving range when returning to origin and the stop position when stopping by the mechanical stopper.
 Note 2. User cable extraction port.
 Note 3. This figure shows the combination for ZPHL. For the combination for ZPHR, see the top view in the figure.

Note 4. The total of the Y and Z strokes should be 1200mm or less.
 Note 5. When the X-axis/Y-axis stroke is longer than 850mm, resonance of the ball screw may occur depending on the operation conditions (critical speed). In this case, reduce the speed setting on the program by referring to the maximum speeds shown in the table at the left.