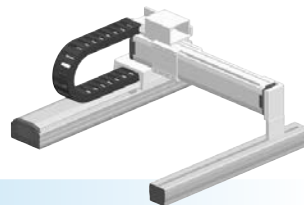


MXYx 2 axes



- Gantry type
- Cable carrier

Ordering method

MXYx - C

Model	Cable	Combination	X-axis stroke	Y-axis stroke	Cable
G1			25 to 125cm	15 to 85cm	3L: 3.5m
G2					5L: 5m
G3					10L: 10m
G4					

RCX320-2

Controller / Number of controllable axes	Safety standard	Regenerative unit	Option A (OP.A)	Option B (OP.B)	Vision System	Absolute battery
RCX320-2		R				

Specify various controller setting items. **RCX320 ▶ P.548**

RCX222

Controller	Usable for CE	Regenerative unit	I/O selection 1	I/O selection 2
RCX222		R		

Specify various controller setting items. **RCX222 ▶ P.558**

Specification

	X-axis	Y-axis
Axis construction <small>Note 1</small>	F17	F14H
AC servo motor output (W)	400	200
Repeatability <small>Note 2</small> (mm)	+/-0.01	+/-0.01
Drive system	Ball screw φ20	Ball screw φ15
Ball screw lead <small>Note 3</small> (Deceleration ratio) (mm)	20	20
Maximum speed <small>Note 4</small> (mm/sec)	1200	1200
Moving range (mm)	250 to 1250	150 to 850
Robot cable length (m)	Standard: 3.5 Option: 5, 10	

Note 1. Use caution that the flame machining (installation holes, tap holes) differs from single-axis robots.
 Note 2. Positioning repeatability in one direction.
 Note 3. Leads not listed in the catalog are also available. Contact us for details.
 Note 4. When the X-axis stroke is longer than 850mm (750mm for Y-axis), resonance of the ball screw may occur depending on the operation conditions (critical speed). In this case, reduce the speed setting on the program by referring to the maximum speeds shown in the table below.

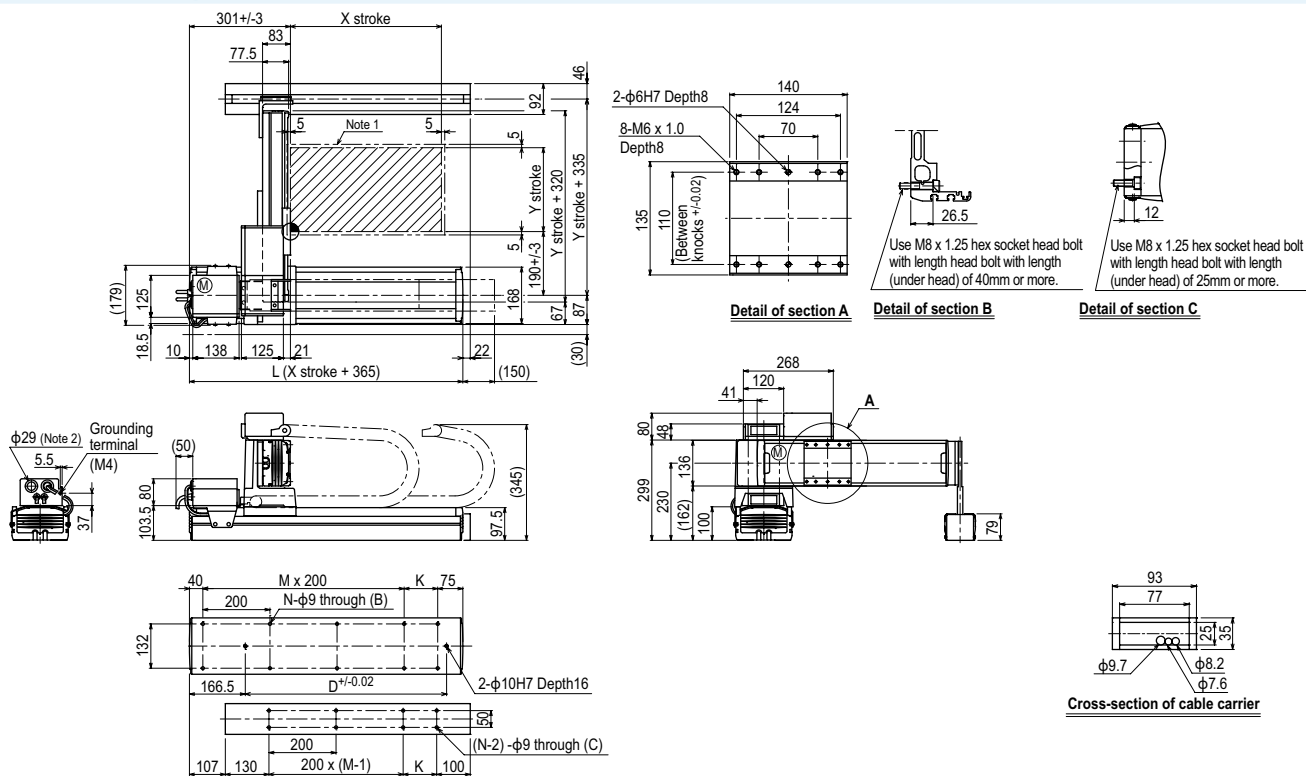
Maximum payload (kg)

Y stroke (mm)	XY 2 axes
150	30
250	30
350	30
450	30
550	30
650	30
750	25
850	20

Controller

Controller	Operation method
RCX320-R	Programming / I/O point trace / Remote command / Operation using RS-232C communication
RCX222-R	

MXYx 2 axes G1

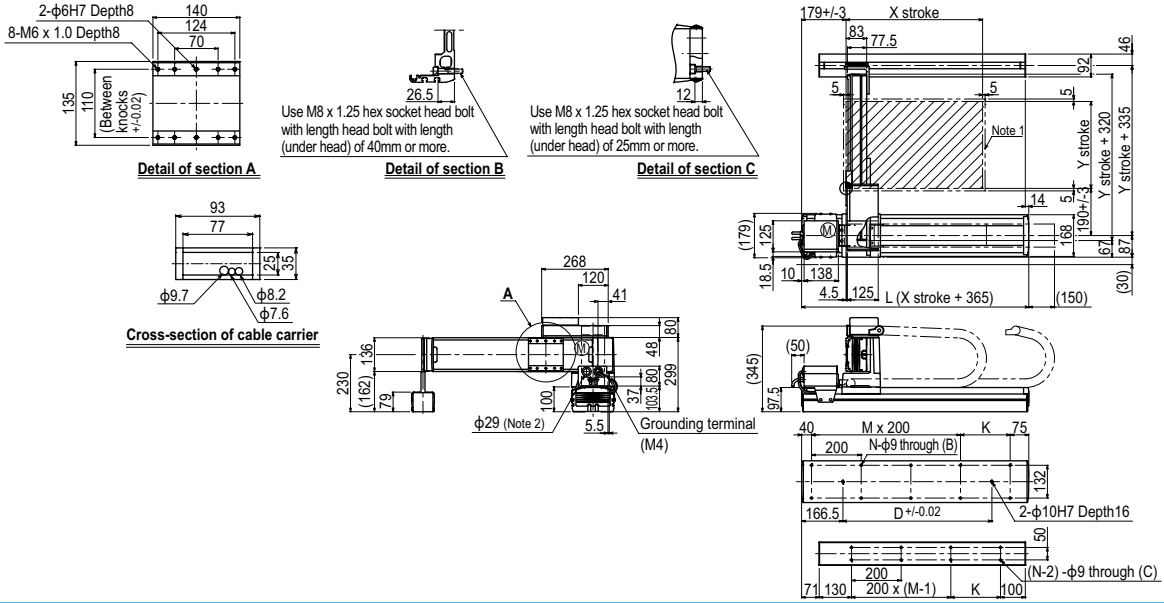


X stroke	250	350	450	550	650	750	850	950	1050	1150	1250
L	615	715	815	915	1015	1115	1215	1315	1415	1515	1615
K	100	200	100	200	100	200	100	200	100	200	100
D	240	420	600	600	780	780	960	960	1140	1140	1320
M	2	2	3	3	4	4	5	5	6	6	7
N	8	8	10	10	12	12	14	14	16	16	18
Y stroke	150	250	350	450	550	650	750	850			
Maximum speed for each stroke <small>Note 3</small> (mm/sec)	X-axis		1200		960		840	720	600	480	
	Speed setting		-		80%		70%	60%	50%	40%	
	Y-axis		1200		960		780				
	Speed setting		-		80%		65%				

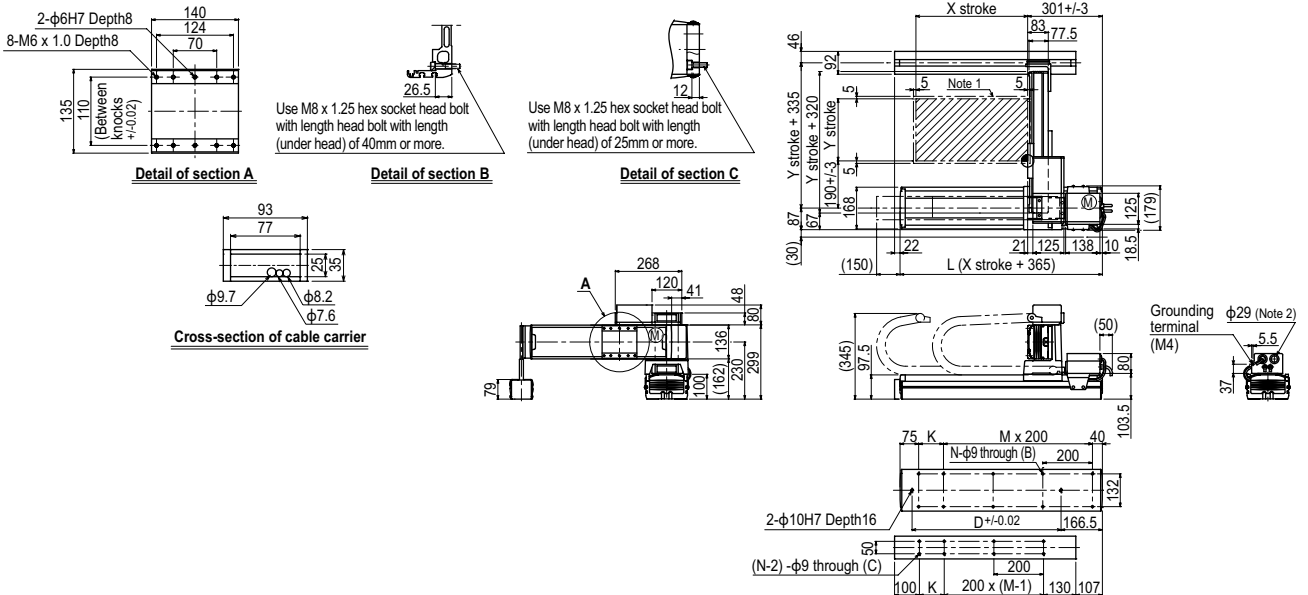
Note 1. The moving range when returning to origin and the stop position when stopping by the mechanical stopper.
 Note 2. User cable extraction port.

Note 3. When the X-axis stroke is longer than 850mm (750mm for Y-axis), resonance of the ball screw may occur depending on the operation conditions (critical speed). In this case, reduce the speed setting on the program by referring to the maximum speeds shown in the table at the left.

MXyX 2 axes G2



MXyX 2 axes G3



MXyX 2 axes G4

