

FXYx 2 axes

● Arm type ● Cable carrier



Ordering method

FXYx - C

Model	Cable	Combination	X-axis stroke	Y-axis stroke	Cable
A1			15 to 105cm	15 to 55cm	3L: 3.5m
A2					5L: 5m
A3					10L: 10m
A4					

RCX320-2

Controller / Number of controllable axes	Safety standard	Option A (OP.A)	Option B (OP.B)	Vision System	Absolute battery

Specify various controller setting items. RCX320 ▶ **P.548**

RCX222

Controller	Usable for CE	I/O selection 1	I/O selection 2

Specify various controller setting items. RCX222 ▶ **P.558**

Specification

	X-axis	Y-axis
Axis construction	—	—
AC servo motor output (W)	100	60
Repeatability ^{Note 1} (mm)	+/-0.01	+/-0.02
Drive system	Ball screw φ15	Ball screw φ12
Ball screw lead ^{Note 2} (Deceleration ratio) (mm)	20	12
Maximum speed ^{Note 3} (mm/sec)	1200	800
Moving range (mm)	150 to 1050	150 to 550
Robot cable length (m)	Standard: 3.5 Option: 5,10	

Note 1. Positioning repeatability in one direction.
 Note 2. Leads not listed in the catalog are also available. Contact us for details.
 Note 3. When the X-axis stroke is longer than 750mm, resonance of the ball screw may occur depending on the operation conditions (critical speed). In this case, reduce the speed setting on the program by referring to the maximum speeds shown in the table below.

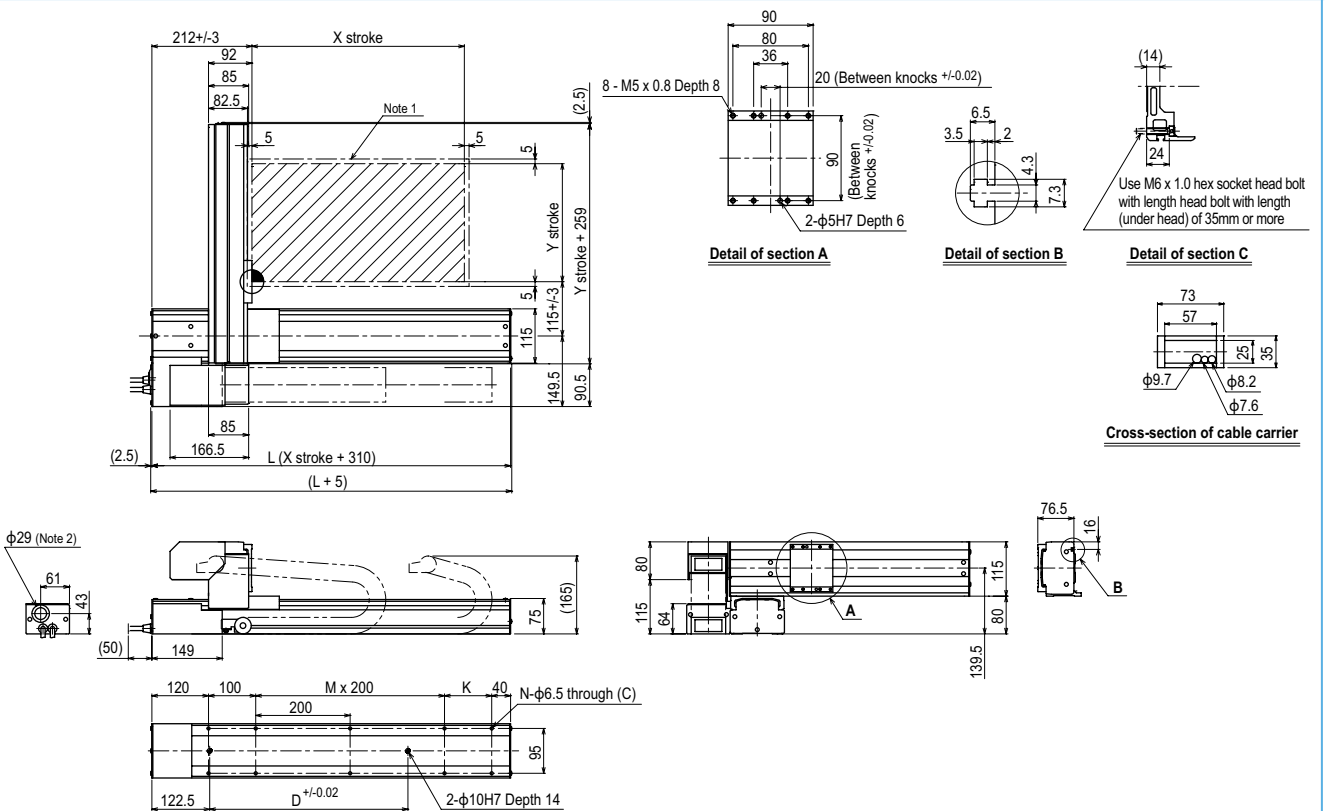
Maximum payload (kg)

Y stroke (mm)	XY 2 axes
150	12
250	12
350	11
450	9
550	7

Controller

Controller	Operation method
RCX320	Programming / I/O point trace / Remote command / Operation using RS-232C communication
RCX222	

FXYx 2 axes A1

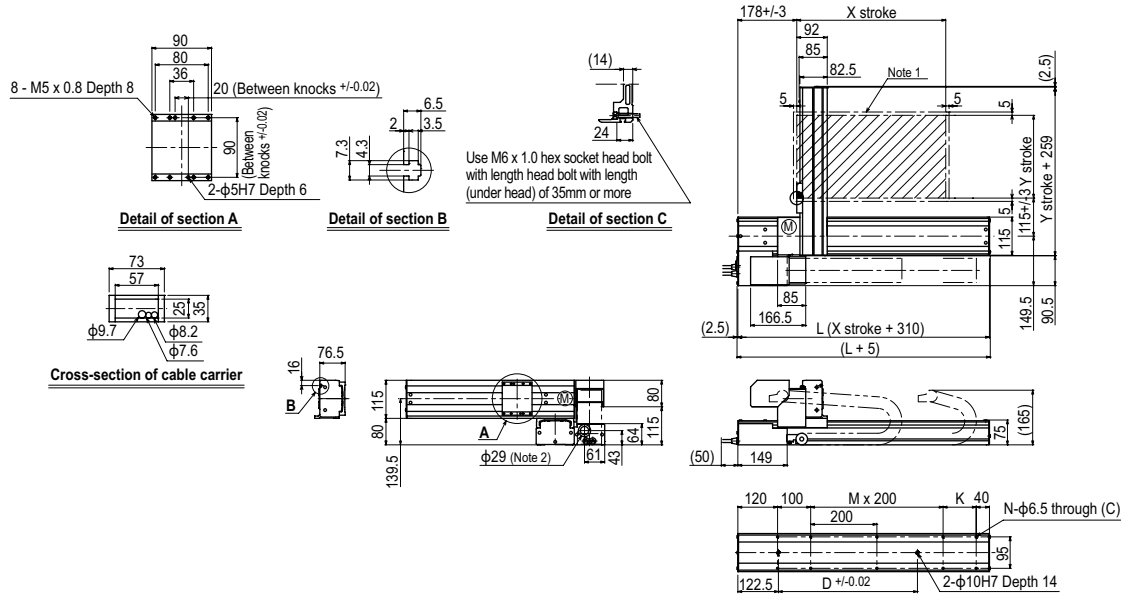


X stroke	150	250	350	450	550	650	750	850	950	1050
	L	460	560	660	760	860	960	1060	1160	1260
K	200	100	200	100	200	100	200	100	200	100
D	240	240	420	420	600	600	780	960	960	1140
M	0	1	1	2	2	3	3	4	4	5
N	6	8	8	10	10	12	12	14	14	16
Y stroke	150	250	350	450	550					
Maximum speed for each stroke (mm/sec)	1200					960	780	600	540	
Speed setting	—					80%	65%	50%	45%	

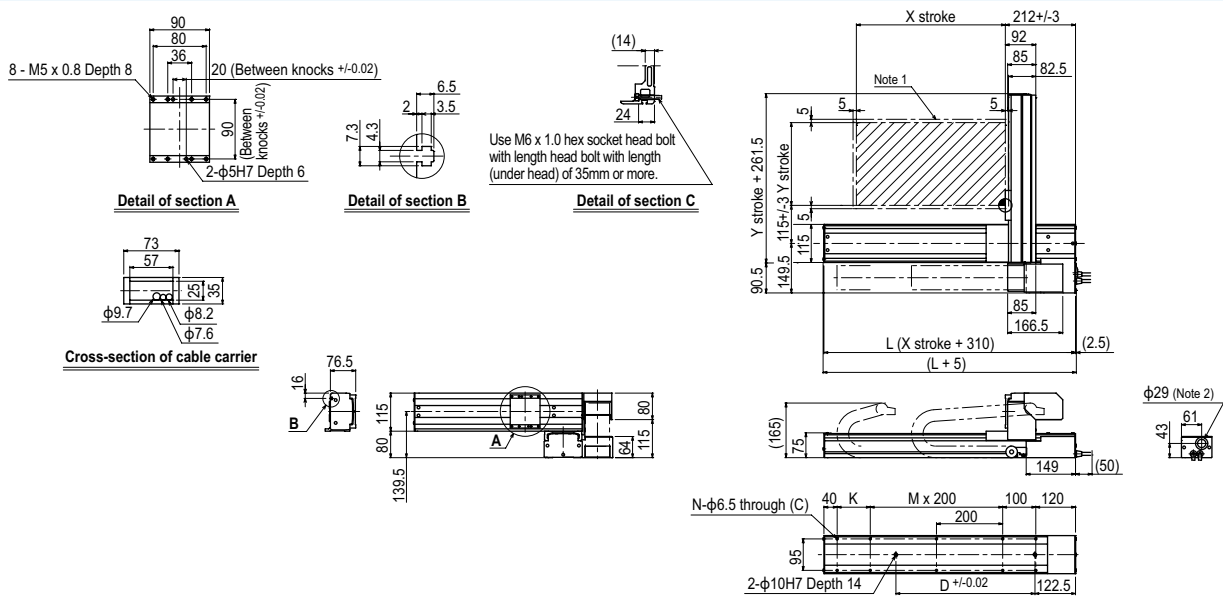
Note 1. The moving range when returning to origin and the stop position when stopping by the mechanical stopper.
 Note 2. User cable extraction port.

Note 3. When the X-axis stroke is longer than 750mm, resonance of the ball screw may occur depending on the operation conditions (critical speed). In this case, reduce the speed setting on the program by referring to the maximum speeds shown in the table at the left.

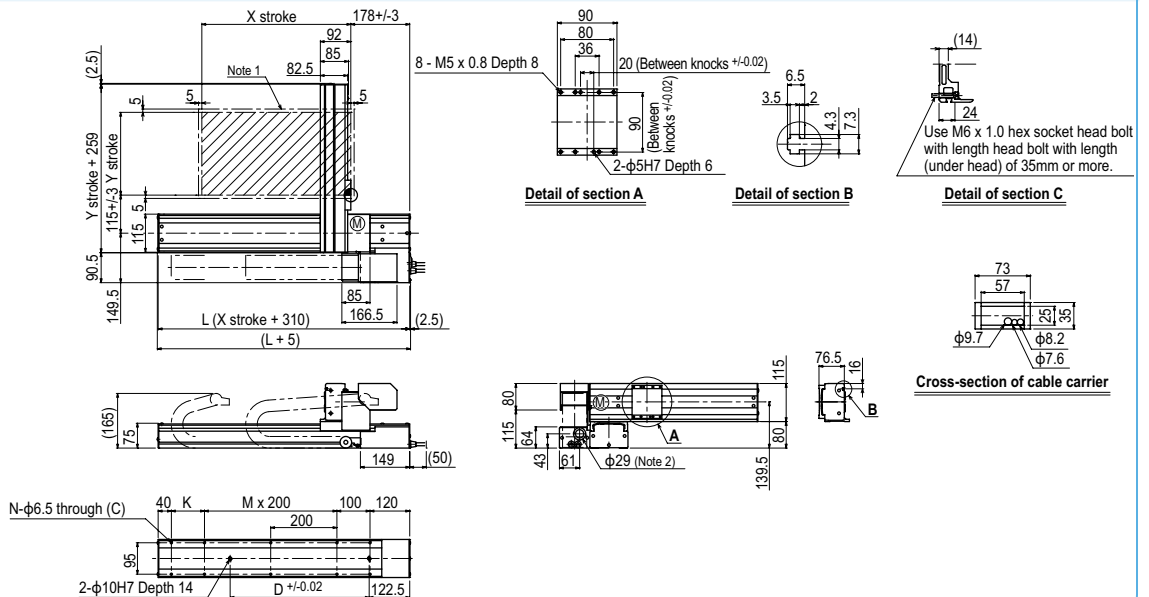
FXYx 2 axes A2



FXYx 2 axes A3



FXYx 2 axes A4



Articulated robots
YA
Linear conveyor modules
LCM100
Motor-less single axis actuator
Robonity
Compact single-axis robots
TRANSEVO
Single-axis robots
FLIP-X
Linear motor single-axis robots
PHASER
Cartesian robots
XY-X
SCARA robots
YK-X
Pick & place robots
YP-X
CLEAN
CONTROLLER INFORMATION
Arm type
Gantry type
Moving arm type
Pole type
XZ type