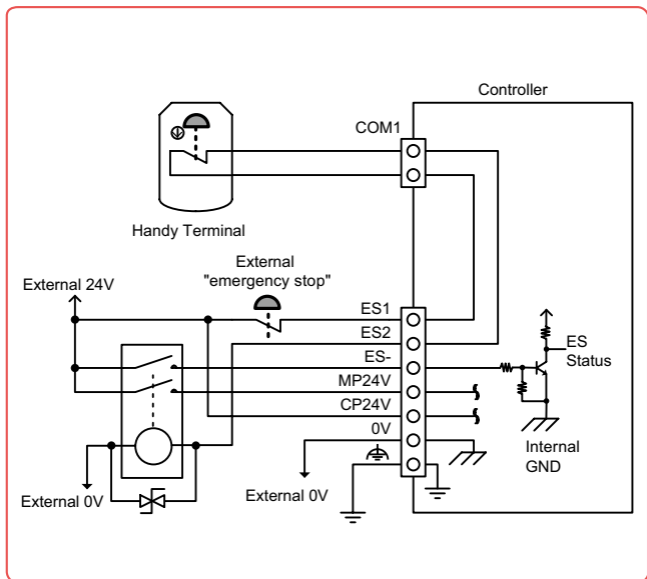
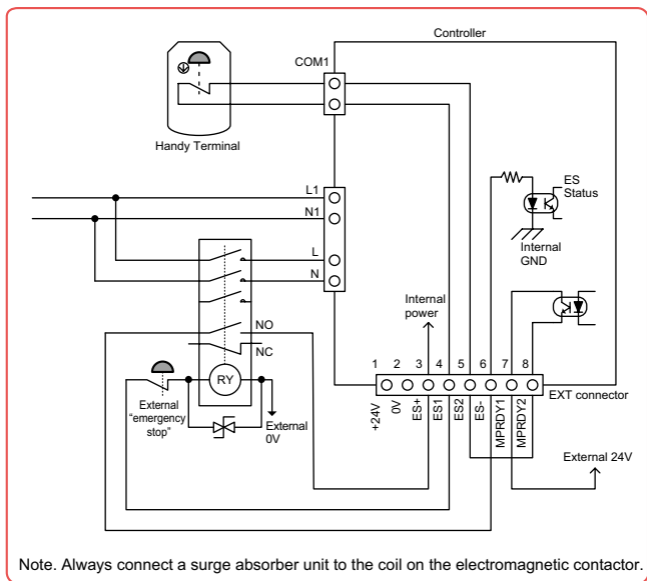


## Emergency stop circuit example

### TS-S (power connector and host unit connection example)



### TS-X / TS-P (EXT connector and host unit connection example)



Installing an external safety circuit will satisfy safety category class 4 standards. See P.483 for more information.