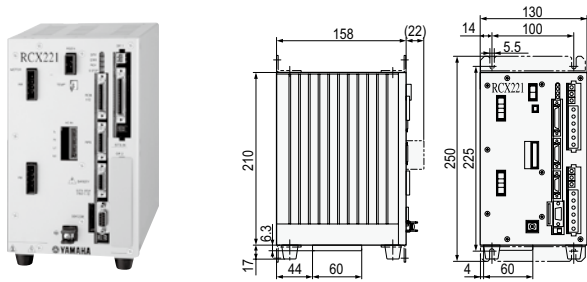


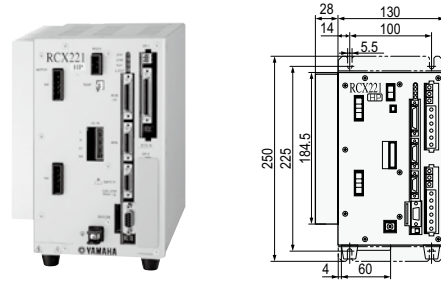
# RCX221/RCX222

## Part names / dimensions

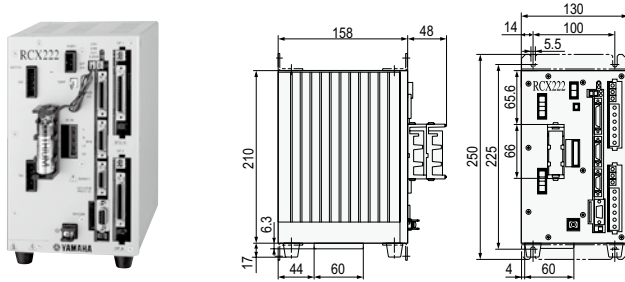
### RCX221 Dimensions



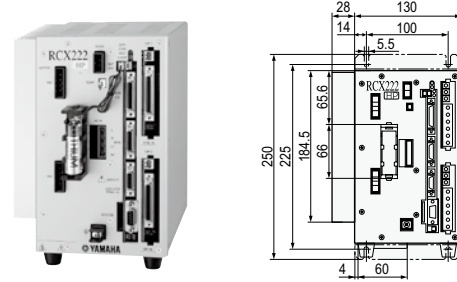
### RCX221HP Dimensions



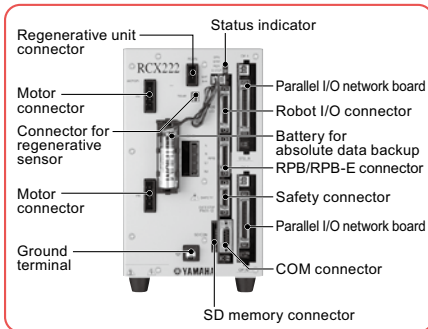
### RCX222 Dimensions



### RCX222HP Dimensions

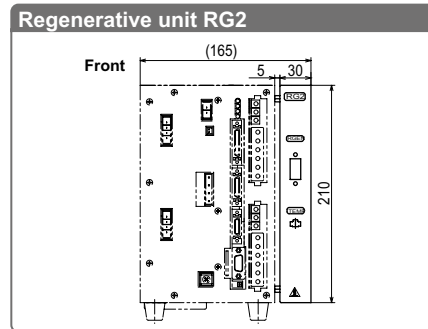


## Part names



Note. Photograph shows RCX222. The component names on the RCX221 are the same but it does not come with an absolute backup battery.

## Regenerative unit RG2



Note. Depth (D) is 158mm. Installs on the right side of the RCX221 (HP), RCX222 (HP). Cannot be installed as a separate unit.

## Basic specifications

Item	RG2
Model	KAS-M4130-00 (including cable supplied with unit)
Dimensions	W35 × H210 × D158mm
Weight	0.8kg
Regenerative voltage	Approx. 420V or more
Regenerative stop voltage	Approx. 380V or less
Accessory	Cable for connection with controller (300mm)

Note. Installs on the right side of the RCX221 (HP), RCX222 (HP). Cannot be installed as a separate unit..

## Specification selection table

The robot type automatically determines the normal specifications or HP specifications.

### RCX221 / RCX221HP

RCX221 RCX221HP Regenerative unit	No entry (None) R (RG2)	PHASER									
		MR12D	MR16D	MR16HD	MR20D	MR25D	MF15D	MF20D	MF30D	MF50D	MF75D
●	●	●	●	●	●	●	●	●	●	●	●

● : Applicable

### RCX222 / RCX222HP

RCX222 RCX222HP Regenerative unit	No entry (None) R (RG2)	XY-X												YP-X YP320X	Clean SXYC				
		FLIP-X						Arm type, Gantry type, Moving arm type, Pole type											
		N15D	N18D	PXYx	FXYx	FXYBx	SXYx	SXYBx	NXY	MXYx	HXYx	HXYLx	SXYx (ZF)	SXYx (ZFL20)	SXYBx (ZF)	SXYBx (ZFL20)	MXYx	HXYx	
●	●	●	●	●	●	●	●	●	●	●	●	●	●	●	●	●	●	●	●

● : Applicable ○ : Select per conditions

## Conditions where regenerative unit is needed on multi robots

- Where motor capacity exceeds a total of 450W.
- Where motor capacity for perpendicular axis exceeds a total of 240W.
- Where the following conditions apply when perpendicular axis capacity is 240W or less.
  - perpendicular axis is 200W.
  - perpendicular axis is 100W and stroke is 700mm or more
  - where there are 2 perpendicular axes at 100W, and includes leads of 5mm
- Where maximum speed exceeds 1250mm per second with B14H.