

PARTS CATALOGUE

EF2000iS (7PB3) AUS,KOR,CHN,IDN,RUS,ARG



1M7PB-400E1

()

2016/9/29

NEWS NO.	DATE	COMMENT
PE0-GE-160006	Sep.,27,2016	MOD:FIG.6 CARBURETOR LIST/ ILLUSTRATION REVISION

EF2000iS
PARTS CATALOGUE
©2013 by Yamaha Motor Co., Ltd.
1st edition, December 2013
All rights reserved.
Any reprinting or unauthorized use
without the written permission of
Yamaha Motor Co., Ltd.
is expressly prohibited.
Printed in Japan.

FOREWORD

This Parts Catalogue is related to the parts for the model(s) on the cover page. When you are ordering replacement parts, please refer to this Parts Catalogue and quote both part numbers and part names correctly.

1. Modifications or additions which have been made after the issue of the Parts Catalogue will be announced in the Parts News.

It is advisable that you make the necessary corrections to the Parts Catalogue according to the Parts News.

2. Abbreviations

The following abbreviations are used in this Parts Catalogue.

“UR” Use specified parts number.

“UN” Use as many as needed.

“AP” Alternate Parts

“LM” Locally Made (Parts need to be ordered locally)

“F#” Frame No. (Applicable machine No.)

“O/S” Over Size

3. The number of components for assembly

- Parts, which are to be supplied in an assembly, are listed with a dot (.) in front of the part name as shown below.
- The numeral appearing to the right of each component part indicates the quantity of parts for each assembly unit.

PART NO.	DESCRIPTION	Q'TY	REMARKS
2F5-83310-60	FRONT FLASHER LIGHT ASSY	2	
115-83311-60	.BULB (6V-18W)	1	

4. Applicable colours of graphics are represented in the “REMARKS” as shown below.

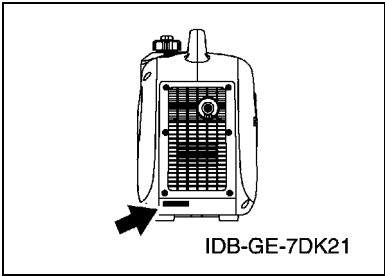
PART NO.	DESCRIPTION	Q'TY	REMARKS
2N4-24110-00-X5	FUEL TANK COMP.	2	MXR
3J1-24240-10	.GRAPHIC, FUEL TANK	1	FOR MXR

5. Note that the illustrations for reference in finding parts numbers are not to be used for assembling. When assembling, please use the applicable service manual.

6. The asterisk (*) before a reference number indicates modified items after the first edition.

FOREWORD

7. Applicable Serial No.
 Frame Serial No.



8. Applicable Colour Code (The (*) mark shows Model colour.)

Abbreviation	Colour Name	Colour Code
PBS3(*)	PURPLISH BLUE SOLID 3	0714

9. Applicable Starting Serial No.
 *****Serial NO.

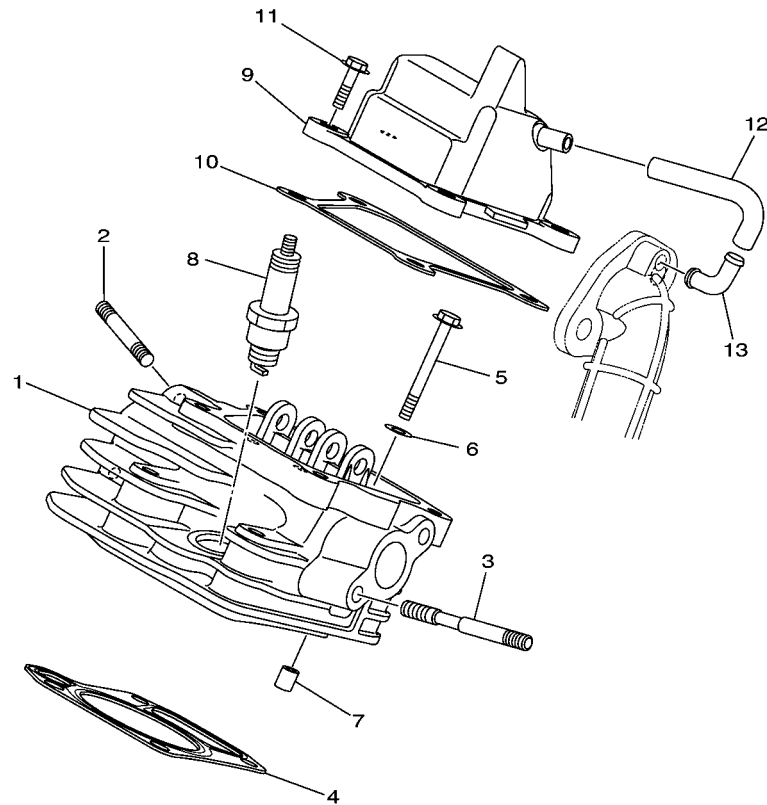
Model	Model Code	Destination	Voltage	Serial NO.
EF2000iS	7PB3	AUS	230V-50Hz	7PB-0320101
EF2000iS	7PB3	KOR	220V-60Hz	7PB-0350101
EF2000iS	7PB3	CHN	220V-50Hz	7PB-0360101
EF2000iS	7PB3	IDN/RUS	220V-50Hz	7PB-0370101
EF2000iS	7PB3	ARG	220V-50Hz	7PB-0380101

CONTENTS

CYLINDER	1
CRANKSHAFT & PISTON	2
CAMSHAFT & VALVE	3
AIR SHROUD & STARTER	4
INTAKE	5
CARBURETOR	6
EXHAUST	7
CRANKCASE	8
FRAME	9
FRAME 2	11
FUEL TANK	13
TCI MAGNETO	14
GENERATOR	15
CONTROL BOX 1	16
CONTROL BOX 2	18
CONTROL BOX 3	20
CONTROL BOX 4	22
CONTROL BOX 5	24
EMBLEM & LABEL 1	26
EMBLEM & LABEL 2	27
EMBLEM & LABEL 3	28
EMBLEM & LABEL 4	29

INDEX

NUMERICAL INDEX	30
-----------------------	----

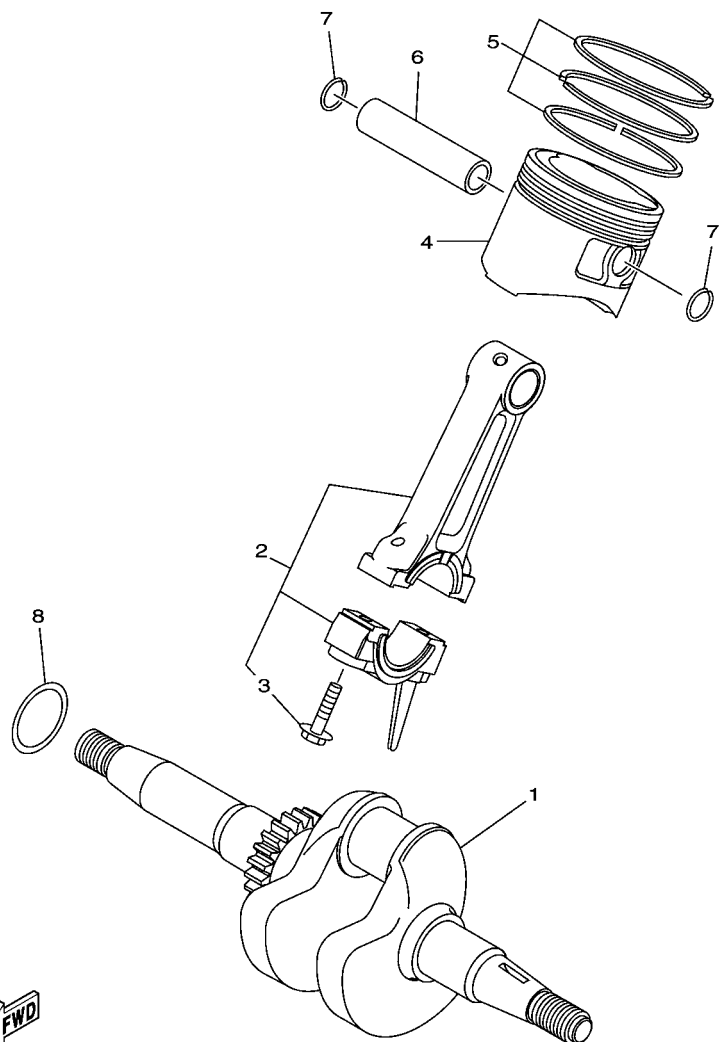



 7DK2110-H010

FIG. 1 CYLINDER

REF. NO.	PART NO.	DESCRIPTION	AUS	KOR	CHN	IDN	ARG	REMARKS
1	7DX-E1111-01	HEAD, CYLINDER 1	1	1	1	1	1	
2	95602-06615	BOLT, STUD	2	2	2	2	2	
3	7DX-E1179-00	BOLT, STUD	2	2	2	2	2	
4	7CY-E1181-00	GASKET, CYLINDER HEAD 1	1	1	1	1	1	
5	95822-06050	BOLT, FLANGE	4	4	4	4	4	
6	92902-06200	WASHER	2	2	2	2	2	
7	99530-08012	PIN, DOWEL	2	2	2	2	2	
8	94702-00821	PLUG, SPARK (NGK BPR6HS)	1	1	1	1	1	
9	7DX-E1190-00	COVER, CYLINDER HEAD 1	1	1	1	1	1	
10	7DX-E1351-00	GASKET, CYLINDER	1	1	1	1	1	
11	95822-06016	BOLT, FLANGE	4	4	4	4	4	
12	7DX-E1166-00	PIPE, BREATHER 1	1	1	1	1	1	
13	7DX-E111J-00	PIPE 1	1	1	1	1	1	

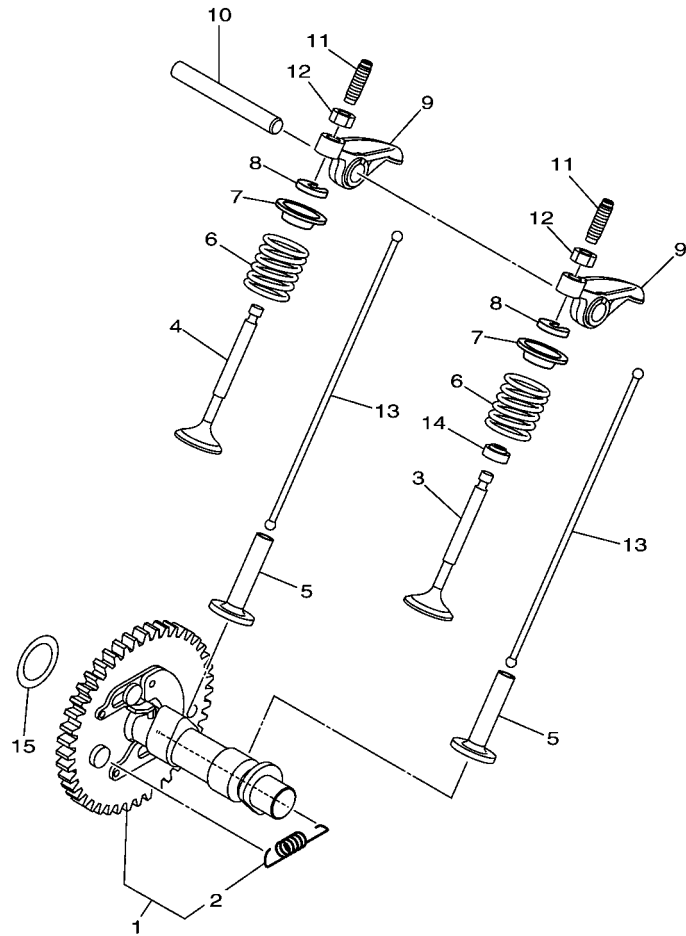
FIG. 2 CRANKSHAFT & PISTON



7DK2110-H020

REF. NO.	PART NO.	DESCRIPTION	AUS	KOR	CHN	IDN	ARG	REMARKS
1	7DX-E1400-10	CRANKSHAFT ASSY	1	1	1	1	1	
2	7DX-E1650-00	CONNECTING ROD ASSY	1	1	1	1	1	
3	7DX-E1654-00	.BOLT, CONNECTING ROD	2	2	2	2	2	
4	7DX-E1631-00-A0	PISTON (STD)	1	1	1	1	1	
	7DX-E1635-00	PISTON (0.25MM O/S)	1	1	1	1	1	AP
	7DX-E1636-00	PISTON (0.50MM O/S)	1	1	1	1	1	AP
5	7CY-E1610-00	PISTON RING SET (STD)	1	1	1	1	1	
	7CY-E1610-10	PISTON RING SET (0.25MM O/S)	1	1	1	1	1	AP
	7CY-E1610-20	PISTON RING SET (0.50MM O/S)	1	1	1	1	1	AP
6	7DX-E1633-00	PIN, PISTON	1	1	1	1	1	
7	93450-13819	CIRCLIP	2	2	2	2	2	
8	7DX-E1561-00	SHIM, CRANK 1	1	1	1	1	1	UN

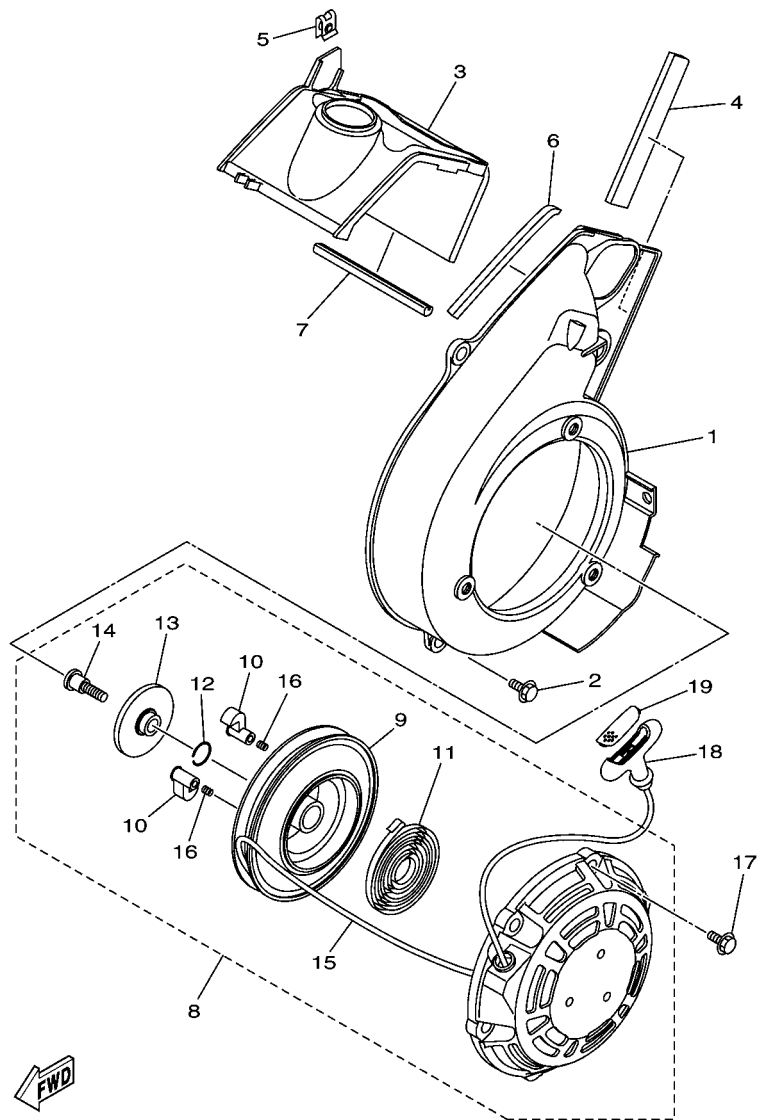
FIG. 3 CAMSHAFT & VALVE




7DKE110-J031

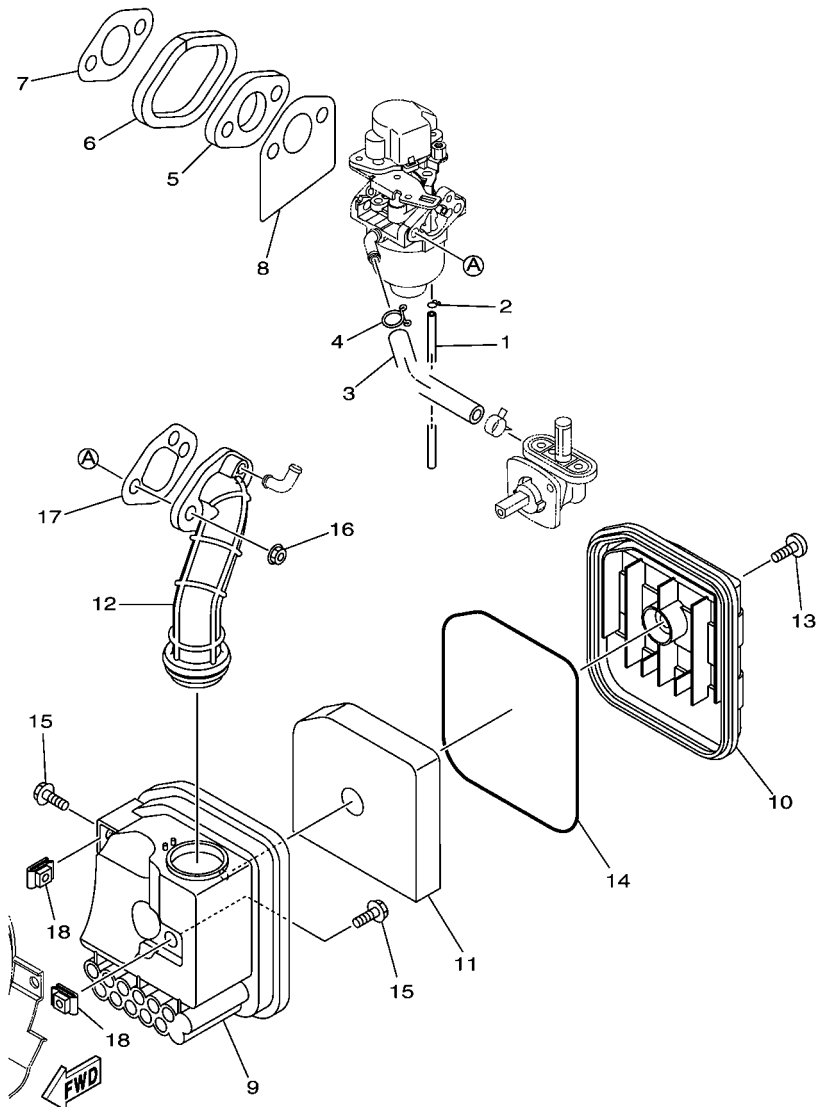
REF. NO.	PART NO.	DESCRIPTION	AUS	KOR	CHN	IDN	ARG	REMARKS
1	7DX-E2180-11	CAMSHAFT ASSY 2	1	1	1	1	1	
2	7DX-E2287-00	.SPRING, DECOMPRESSION	1	1	1	1	1	
3	7DX-E2111-10	VALVE, INTAKE	1	1	1	1	1	
4	7DX-E2121-10	VALVE, EXHAUST	1	1	1	1	1	
5	7DX-E2153-00	LIFTER, VALVE	2	2	2	2	2	
6	90501-20800	SPRING, COMPRESSION	2	2	2	2	2	
7	7DX-E2117-00	RETAINER, VALVE SPRING	2	2	2	2	2	
8	7DX-E2118-00	LOCK, VALVE SPRING RETAINER	2	2	2	2	2	
9	7DX-E2151-00	ARM, VALVE ROCKER	2	2	2	2	2	
10	7DX-E2156-00	SHAFT, ROCKER 2	1	1	1	1	1	
11	7CT-E2159-00	SCREW, VALVE ADJUSTING	2	2	2	2	2	
12	90170-05806	NUT	2	2	2	2	2	
13	7DX-E2154-00	ROD, VALVE PUSH	2	2	2	2	2	
14	7DX-E2119-01	SEAL, VALVE STEM	1	1	1	1	1	
15	7DX-F5153-00	SHIM, CAMSHAFT	1	1	1	1	1	

FIG. 4 AIR SHROUD & STARTER




7DKF400-L040

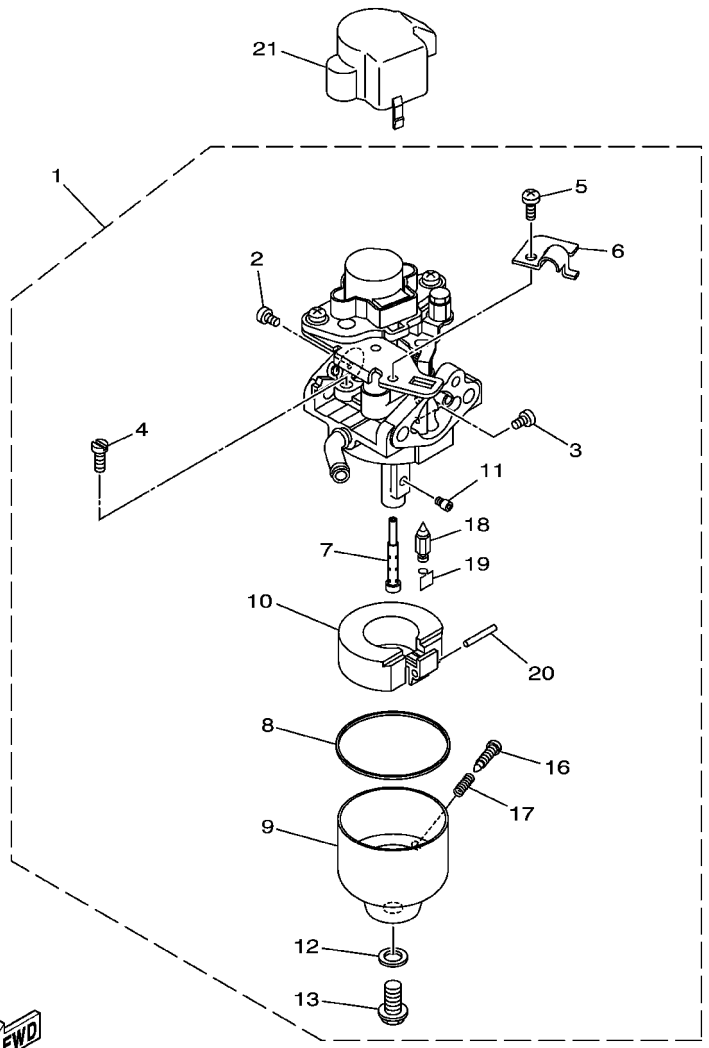
REF. NO.	PART NO.	DESCRIPTION	AUS	KOR	CHN	IDN	ARG	REMARKS
1	7DX-E2621-00	CASE, FAN	1	1	1	1	1	
2	95802-06016	BOLT, FLANGE	4	4	4	4	4	
3	7DX-E2651-00	AIR SHROUD, CYLINDER 1	1	1	1	1	1	
4	90520-05800	DAMPER, PLATE	1	1	1	1	1	
5	7DX-E261D-00	NUT SPRING 1	1	1	1	1	1	
6	7CP-E262J-00	PAD, FAN CASE 3	1	1	1	1	1	
7	90520-05801	DAMPER, PLATE	1	1	1	1	1	
8	7DX-E5710-00	STARTER ASSY	1	1	1	1	1	
9	7DX-E5714-00	.DRUM, SHEAVE	1	1	1	1	1	
10	7CN-E5741-01	.PAWL, DRIVE	2	2	2	2	2	
11	7CN-E5713-00	.SPRING, STARTER	1	1	1	1	1	
12	7CN-E5715-00	.SPRING, FRICTION	1	1	1	1	1	
13	7DX-E5716-00	.PLATE, DRIVE	1	1	1	1	1	
14	7DX-E5793-00	.SCREW	1	1	1	1	1	
15	7DX-E5751-00	.WIRE, STARTER	1	1	1	1	1	
16	7DX-E5734-00	.SPRING, RETURN	2	2	2	2	2	
17	95802-06016	BOLT, FLANGE	3	3	3	3	3	
18	7PB-E5755-00	HANDLE, STARTER	1	1	1	1	1	
19	7PB-E5720-01	CAP, HANDLE	1	1	1	1	1	



7PB2110-M050

FIG. 5 INTAKE

REF. NO.	PART NO.	DESCRIPTION	AUS	KOR	CHN	IDN	ARG	REMARKS
1	90446-05006	HOSE	1	1	1	1	1	
2	90467-05800	CLIP	1	1	1	1	1	
3	7DX-F4311-00	PIPE, FUEL 1	1	1	1	1	1	
4	90467-09804	CLIP	1	1	1	1	1	
5	7DX-E3595-00	JOINT	1	1	1	1	1	
6	7DX-E3593-00	DAMPER	1	1	1	1	1	
7	7DX-E3556-00	GASKET, MANIFOLD	1	1	1	1	1	
8	7DX-E3556-10	GASKET, MANIFOLD	1	1	1	1	1	
9	7DX-E4411-00	CASE, AIR CLEANER 1	1	1	1	1	1	
10	7DX-E4412-00	CAP, CLEANER CASE 1	1	1	1	1	1	
11	7DX-E4451-00	ELEMENT, AIR CLEANER	1	1	1	1	1	
12	7DX-E4453-01	JOINT, AIR CLEANER 1	1	1	1	1	1	
13	90154-06823	SCREW, BINDING	1	1	1	1	1	
14	7DX-E4467-00	SEAL	1	1	1	1	1	
15	95802-06020	BOLT, FLANGE	2	2	2	2	2	
16	95702-06500	NUT, FLANGE	2	2	2	2	2	
17	7DX-E4416-00	GASKET, AIR CLEANER	1	1	1	1	1	
18	90183-06808	NUT, SPRING	2	2	2	2	2	



FWD
7PB2110M0601

FIG. 6 CARBURETOR

REF. NO.	PART NO.	DESCRIPTION	AUS	KOR	CHN	IDN	ARG	REMARKS
1	7PB-E4101-00	CARBURETOR ASSY 1	1	1	1	1	1	
2	7BX-E4216-00	.SCREW	1	1	1	1	1	
3	7BX-E4486-00	.SCREW, ROD	2	2	2	2	2	
4	7PB-E4A42-19	.JET, PILOT	1	1	1	1	1	
5	98502-05008	.SCREW, PAN HEAD	1	1	1	1	1	
6	7PB-E4243-00	.PLATE	1	1	1	1	1	
7	7PB-E4A41-00	.NOZZLE, MAIN	1	1	1	1	1	
8	7BX-E4184-00	.GASKET, FLOAT CHAMBER	1	1	1	1	1	
9	7PB-E4A81-00	.BODY, FLOAT CHAMBER 1	1	1	1	1	1	
10	7BX-E4185-00	.FLOAT	1	1	1	1	1	
11	7PB-E4A43-34	.JET, MAIN	1	1	1	1	1	
12	7PB-E4227-00	.WASHER	1	1	1	1	1	
13	7PB-E4162-00	.BOLT, HOLDING	1	1	1	1	1	
16	7BX-E4191-00	.PLUG, DRAIN	1	1	1	1	1	
17	7BX-E4212-00	.SPRING, PILOT ADJUSTING	1	1	1	1	1	
18	7BX-E4150-00	.NEEDLE ASSY	1	1	1	1	1	
19	7BX-E4159-00	.CLIP	1	1	1	1	1	
20	7PB-E4186-00	.PIN, FLOAT	1	1	1	1	1	
21	7PB-E4293-00	COVER 1	1	1	1	1	1	



7PB2110-M070

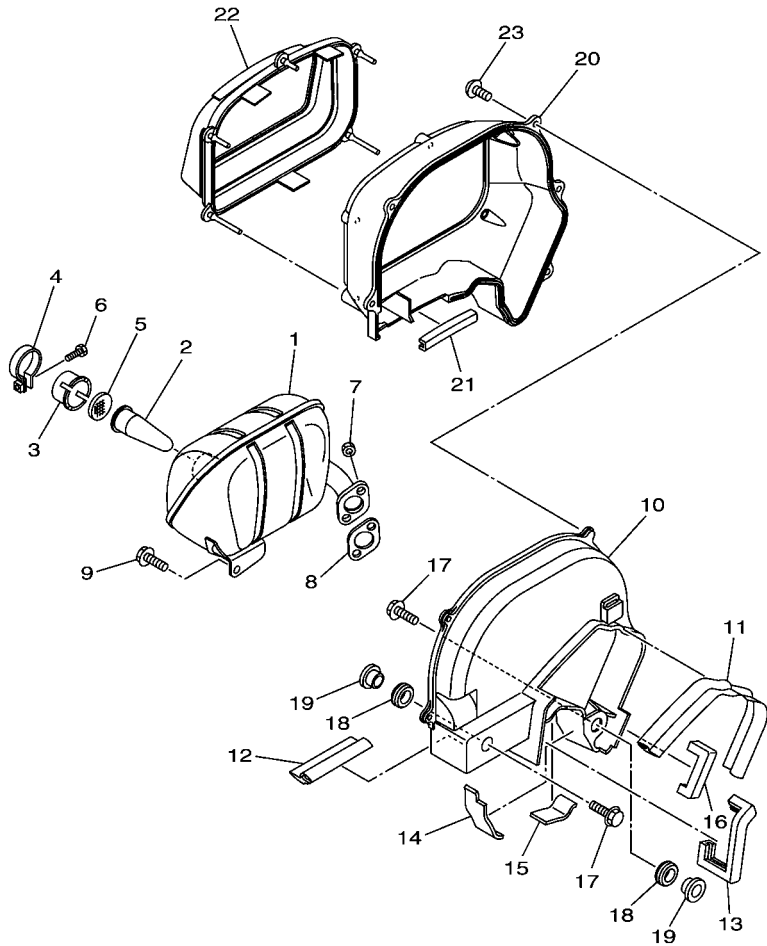
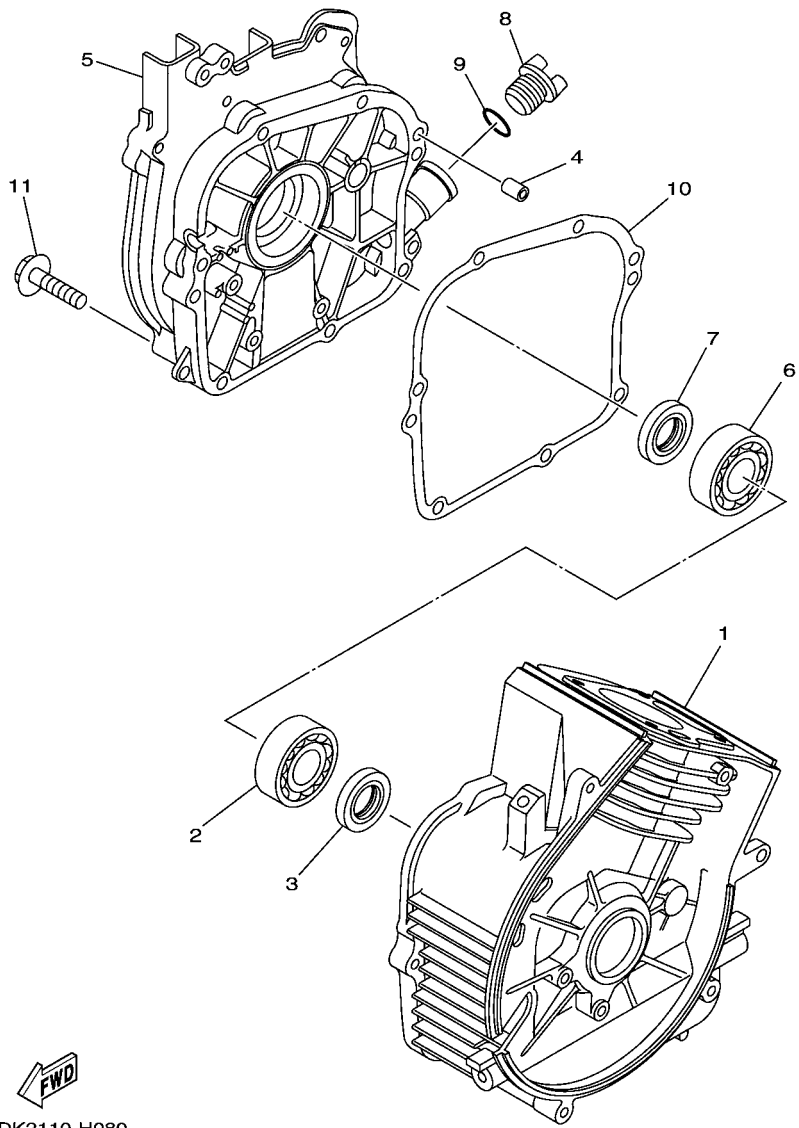


FIG. 7 EXHAUST

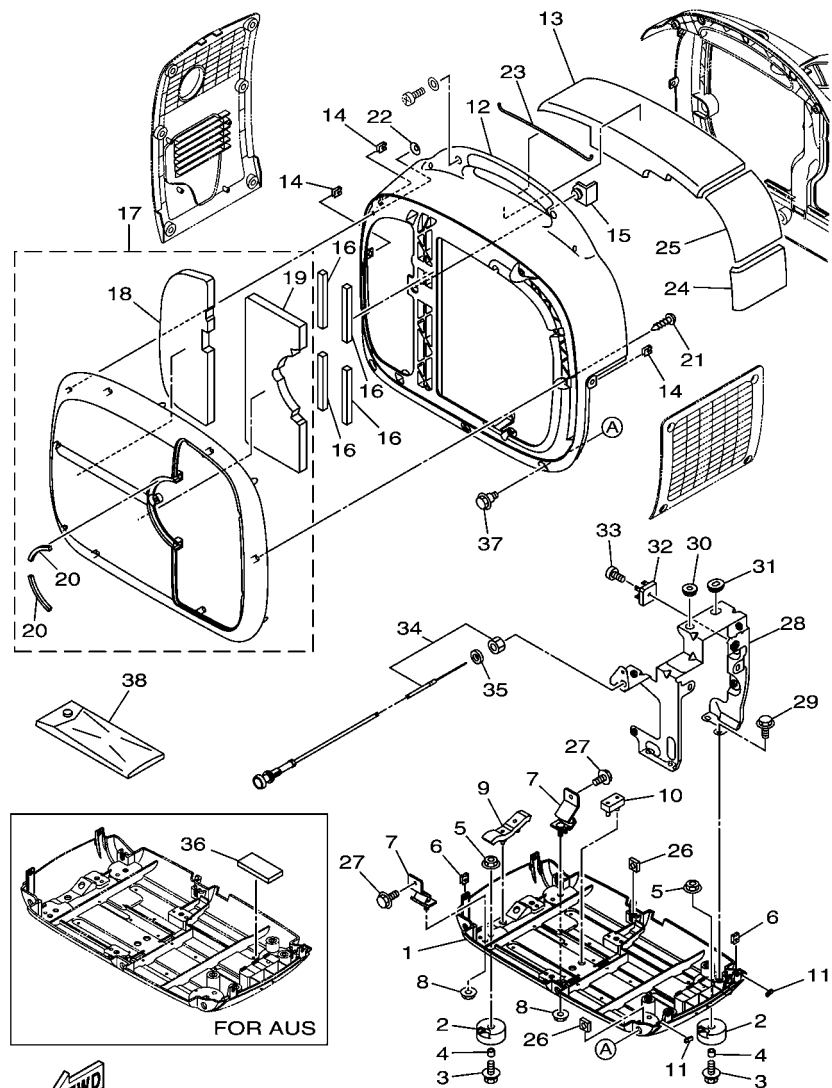
REF. NO.	PART NO.	DESCRIPTION	AUS	KOR	CHN	IDN	ARG	REMARKS
1	7DX-E4721-10	MUFFLER 2	1	1	1	1	1	
2	7DX-E4786-00	ARRESTER, SPARK	1	1	1	1	1	
3	7CA-E4799-00	CAP	1	1	1	1	1	
4	7CA-E4788-00	BAND, SILENCER	1	1	1	1	1	
5	7CA-E479E-00	NET, WIRE 2	1	1	1	1	1	
6	90153-05800	SCREW, HEXAGON	1	1	1	1	1	
7	95302-06600	NUT	2	2	2	2	2	
8	7DX-E4613-00	GASKET, EXHAUST PIPE	1	1	1	1	1	
9	95822-06014	BOLT, FLANGE	1	1	1	1	1	
10	7DX-E471C-10	PROTECTOR ASSY 1	1	1	1	1	1	
11	7DX-E4452-00	SEAL	1	1	1	1	1	
12	7DX-E4457-00	SEAL	1	1	1	1	1	
13	7DX-E5494-00	SEAL, PROTECTOR	1	1	1	1	1	
14	7DX-E5496-00	SEAL, PROTECTOR 2	1	1	1	1	1	
15	7DX-E549D-00	SEAL, PROTECTOR	1	1	1	1	1	
16	7DX-E5495-00	SEAL, PROTECTOR 1	1	1	1	1	1	
17	95822-06016	BOLT, FLANGE	2	2	2	2	2	
18	90480-12237	GROMMET	2	2	2	2	2	
19	90387-068L2	COLLAR	2	2	2	2	2	
20	7DX-E472C-10	PROTECTOR ASSY., 2	1	1	1	1	1	
21	7DX-E5495-00	SEAL, PROTECTOR 1	1	1	1	1	1	
22	7DX-E2691-00	DUCT 1	1	1	1	1	1	
23	97702-50014	SCREW, TAPPING	5	5	5	5	5	




 7DK2110-H080

FIG. 8 CRANKCASE

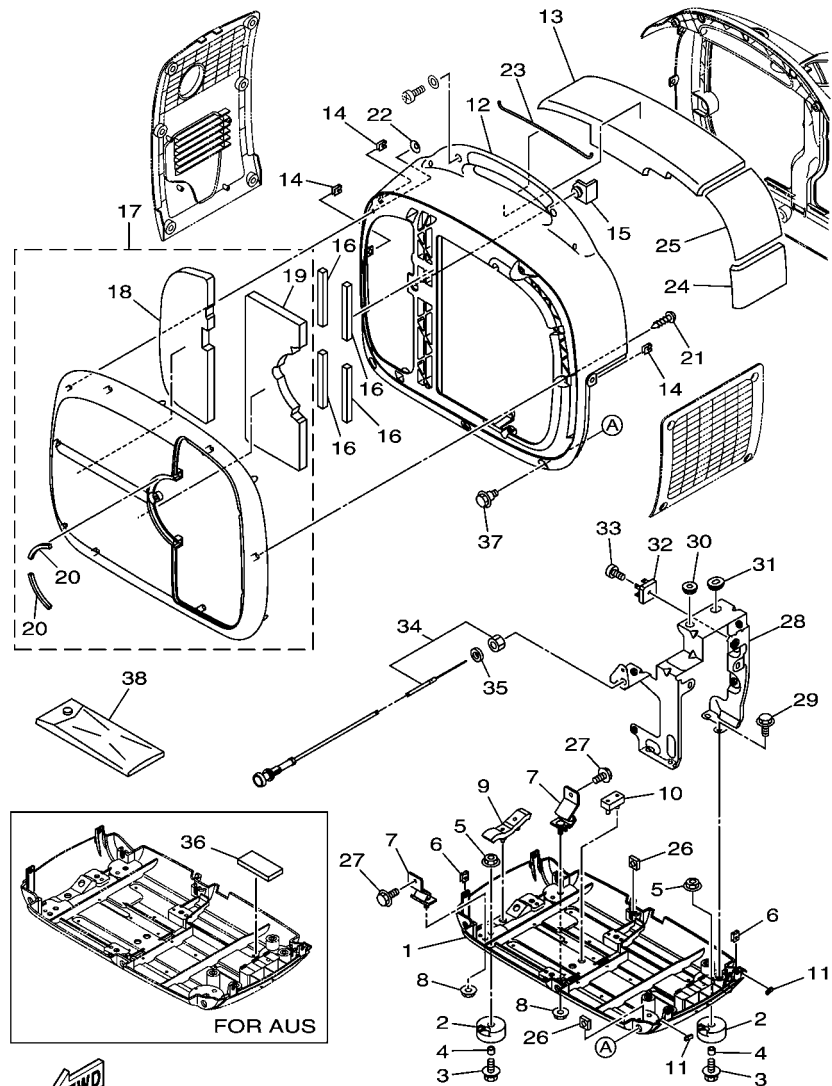
REF. NO.	PART NO.	DESCRIPTION	AUS	KOR	CHN	IDN	ARG	REMARKS
1	7DX-E5111-00	CRANKCASE 1	1	1	1	1	1	
2	93306-204YY	BEARING	1	1	1	1	1	
3	93102-20802	OIL SEAL	1	1	1	1	1	
4	99530-08012	PIN, DOWEL	2	2	2	2	2	
5	7DX-E5411-00	COVER, CRANKCASE 1	1	1	1	1	1	
6	93306-204YY	BEARING	1	1	1	1	1	
7	93102-20802	OIL SEAL	1	1	1	1	1	
8	7DX-E5363-00	PLUG, OIL	1	1	1	1	1	
9	93210-15803	O-RING	1	1	1	1	1	
10	7DX-E5451-00	GASKET, CRANKCASE COVER 1	1	1	1	1	1	
11	95822-06020	BOLT, FLANGE	7	7	7	7	7	



7PB3400-M090

FIG. 9 FRAME

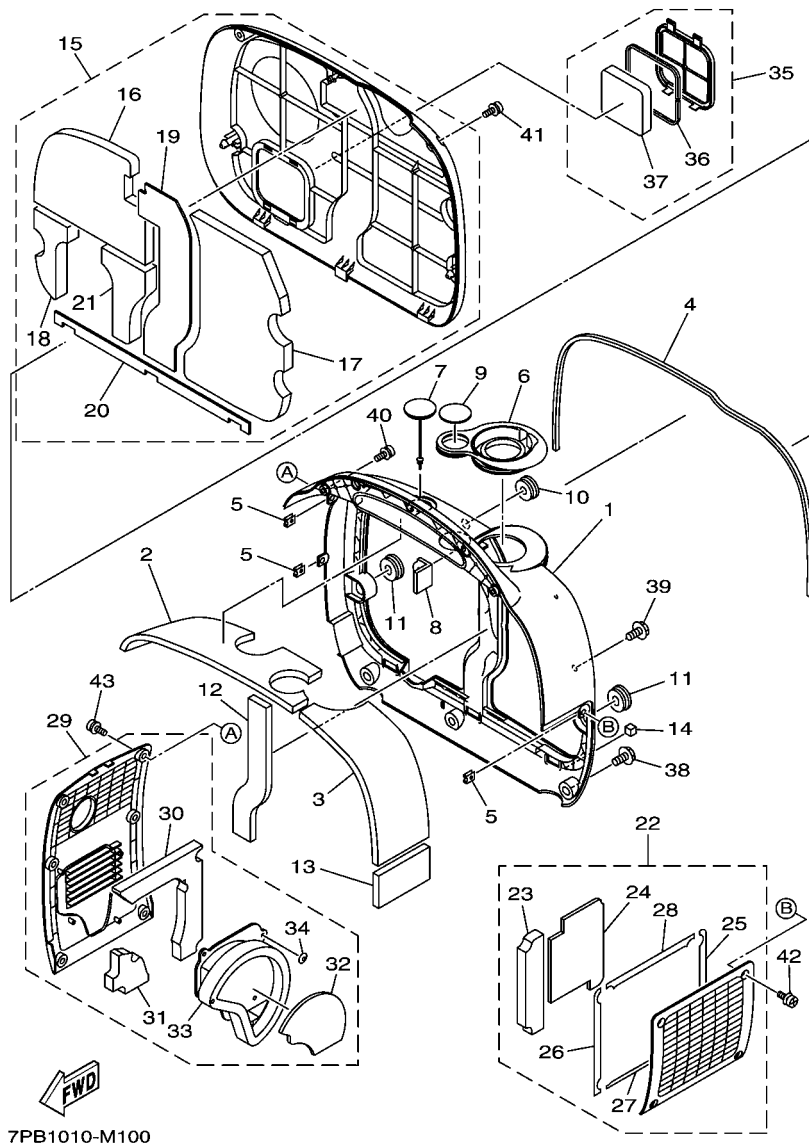
REF. NO.	PART NO.	DESCRIPTION	AUS	KOR	CHN	IDN	ARG	REMARKS
1	7PB-F2881-02	BASE, MOUNTING	1	1	1	1	1	
2	7PB-F2895-00	INSULATOR, MOUNTING	4	4	4	4	4	
3	90119-06147	BOLT, WITH WASHER	4	4	4	4	4	
4	90387-063K3	COLLAR	4	4	4	4	4	
5	95702-06500	NUT, FLANGE	4	4	4	4	4	
6	90183-050A7	NUT, SPRING	4	4	4	4	4	
7	7PB-F2891-00	INSULATOR, MOUNTING	4	4	4	4	4	
8	95702-06500	NUT, FLANGE	4	4	4	4	4	
9	7PB-F2275-00	DAMPER, STOPPER	1	1	1	1	1	
10	7PB-F2218-00	DAMPER, SHOCK ABSORBER LOWER	1	1	1	1	1	
11	90520-03006	DAMPER, PLATE	2	2	2	2	2	
12	7PB-F2865-01	COVER, FRONT	1	1	1	1	1	
13	7PB-F2873-00	SEAL 1	1	1	1	1	1	
14	90183-050A7	NUT, SPRING	3	3	3	3	3	
15	7PB-F282E-00	STOPPER	1	1	1	1	1	
16	90520-05005	DAMPER, PLATE	4	4	4	4	4	
17	7PB-F28B0-01	COVER ASSY 2	1	1	1	1	1	
18	7PB-F2874-00	.SEAL 2	1	1	1	1	1	
19	7PB-F2875-00	.SEAL 3	1	1	1	1	1	
20	90520-05004	.DAMPER, PLATE	2	2	2	2	2	
21	97702-50016	SCREW, TAPPING	6	6	6	6	6	
22	90183-05004	NUT, SPRING	2	2	2	2	2	
23	7PB-F3383-00	COVER, DUST SEAL 1	1	1	1	1	1	
24	90520-10009	DAMPER, PLATE	1	1	1	1	1	
25	90520-05010	DAMPER, PLATE	1	1	1	1	1	
26	90173-06008	NUT, SQUARE	6	6	6	6	6	
27	95812-06012	BOLT, FLANGE	4	4	4	4	4	



7PB3400-M090

FIG. 9 FRAME

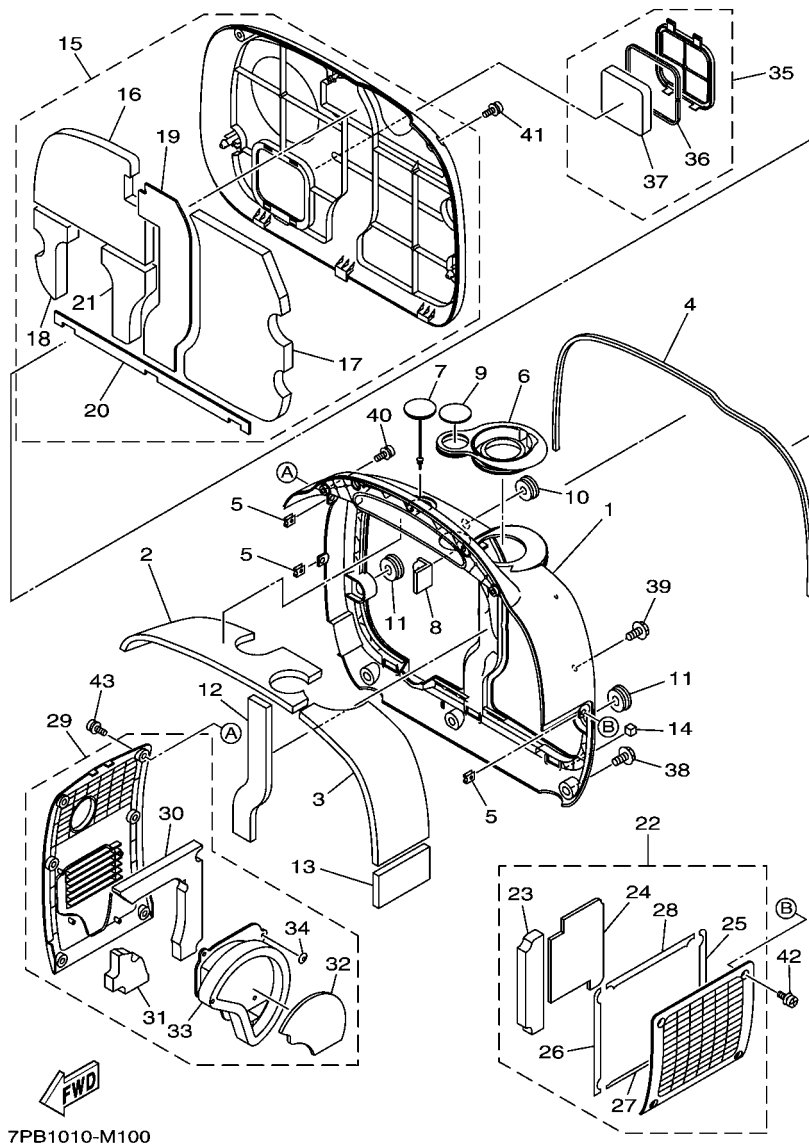
REF. NO.	PART NO.	DESCRIPTION	AUS	KOR	CHN	IDN	ARG	REMARKS
28	7PB-F4191-00	BRACKET, FUEL TANK 1	1	1	1	1	1	
29	95802-06010	BOLT, FLANGE	4	4	4	4	4	
30	90480-13567	GROMMET	1	1	1	1	1	
31	90480-01558	GROMMET	1	1	1	1	1	
32	7PB-H7105-00	RECTIFIER ASSY 1	1	1	1	1	1	
33	98502-05014	SCREW, PAN HEAD	1	1	1	1	1	
34	7PB-F6331-00	CABLE, STARTER 1	1	1	1	1	1	
35	90201-11597	WASHER, PLATE	1	1	1	1	1	
36	7PB-F2483-00	DAMPER 1	1					
37	90109-06278	BOLT	3	3	3	3	3	
38	7CN-F8100-20	TOOL KIT	1	1	1	1	1	



7PB1010-M100

FIG. 10 FRAME 2

REF. NO.	PART NO.	DESCRIPTION	AUS	KOR	CHN	IDN	ARG	REMARKS
1	7PB-F2866-01	COVER, REAR	1	1	1	1	1	
2	7PB-F2876-00	SEAL 4	1	1	1	1	1	
3	7PB-F2886-00	SEAL 9	1	1	1	1	1	
4	90520-04003	DAMPER, PLATE	1	1	1	1	1	
5	90183-050A7	NUT, SPRING	3	3	3	3	3	
6	7PB-F419A-00	HOLDER	1	1	1	1	1	
7	7PB-F2855-00	COVER 2	1	1	1	1	1	
8	7PB-F282E-00	STOPPER	1	1	1	1	1	
9	7PB-F1764-00	LENS, LEVEL GAUGE	1	1	1	1	1	
10	90480-13398	GROMMET	1	1	1	1	1	
11	90480-01559	GROMMET	2	2	2	2	2	
12	7PB-F289F-00	SEAL 17	1	1	1	1	1	
13	90520-10009	DAMPER, PLATE	1	1	1	1	1	
14	90520-04004	DAMPER, PLATE	1	1	1	1	1	
15	7PB-F28D0-01	COVER ASSY 4	1	1	1	1	1	
16	7PB-F2877-00	.SEAL, 5	1	1	1	1	1	
17	7PB-F2878-00	.SEAL 6	1	1	1	1	1	
18	7PB-F289H-00	.SEAL 19	1	1	1	1	1	
19	7PB-F289J-00	.SEAL 20	1	1	1	1	1	
20	7PB-F289K-00	.SEAL 21	1	1	1	1	1	
21	7PB-F289U-00	.SEAL, 7	1	1	1	1	1	
22	7PB-F28E0-01	COVER ASSY 5	1	1	1	1	1	
23	7PB-F2879-00	.SEAL, 7	1	1	1	1	1	
24	7PB-F289M-00	.SEAL 23	1	1	1	1	1	
25	7PB-F281K-00	.SEAL, RUBBER 7	1	1	1	1	1	
26	7PB-F281L-00	.SEAL, RUBBER 8	1	1	1	1	1	
27	7PB-F281M-00	.SEAL, RUBBER 9	1	1	1	1	1	

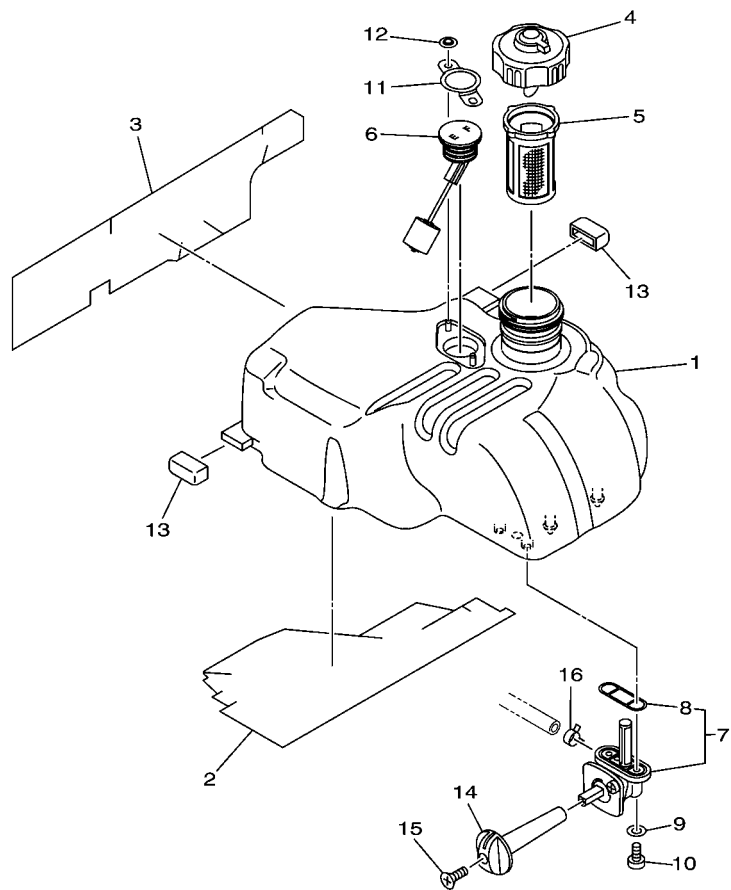


7PB1010-M100

FIG. 10 FRAME 2

REF. NO.	PART NO.	DESCRIPTION	AUS	KOR	CHN	IDN	ARG	REMARKS
28	7PB-F281N-00	.SEAL, RUBBER 10	1	1	1	1	1	
29	7PB-F28F0-00	COVER ASSY 6	1	1	1	1	1	
30	7PB-F2885-00	.SEAL 8	1	1	1	1	1	
31	7PB-F2888-00	.SEAL 11	1	1	1	1	1	
32	7PB-F2889-00	.SEAL 12	1	1	1	1	1	
33	7PB-F286A-00	.DUCT 1	1	1	1	1	1	
34	90183-05004	.NUT, SPRING	4	4	4	4	4	
35	7PB-F28H0-01	COVER ASSY 8	1	1	1	1	1	
36	90520-04010	.DAMPER, PLATE	1	1	1	1	1	
37	90520-15011	.DAMPER, PLATE	1	1	1	1	1	
38	90109-06278	BOLT	3	3	3	3	3	
39	95802-06010	BOLT, FLANGE	1	1	1	1	1	
40	97607-05212	SCREW, WITH WASHER	4	4	4	4	4	
41	97607-05212	SCREW, WITH WASHER	2	2	2	2	2	
42	97607-05212	SCREW, WITH WASHER	4	4	4	4	4	
43	97607-05212	SCREW, WITH WASHER	6	6	6	6	6	

FIG. 11 FUEL TANK



REF. NO.	PART NO.	DESCRIPTION	AUS	KOR	CHN	IDN	ARG	REMARKS
1	7PB-F4110-10	FUEL TANK COMP.	1	1	1	1	1	
2	7PB-F4141-00	PROTECTOR, FUEL TANK	1	1	1	1	1	
3	7PB-F4129-00	COVER, SIDE 1	1	1	1	1	1	
4	7PB-F4610-00	CAP ASSY	1	1	1	1	1	
5	7PB-F4167-00	STRAINER	1	1	1	1	1	
6	7C6-H5710-00	FUEL LEVEL GAUGE ASSY	1	1	1	1	1	
7	7PB-F4500-00	FUEL COCK ASSY 1	1	1	1	1	1	
8	7PB-F4512-00	.GASKET	1	1	1	1	1	
9	90202-05193	WASHER, PLATE	2	2	2	2	2	
10	90149-06108	SCREW	2	2	2	2	2	
11	7PB-F413X-00	PLATE	1	1	1	1	1	
12	90183-05004	NUT, SPRING	2	2	2	2	2	
13	7PB-F4181-00	DAMPER, LOCATING 1	2	2	2	2	2	
14	7PB-F4524-00	LEVER, COCK	1	1	1	1	1	
15	98707-04020	SCREW, FLAT HEAD	1	1	1	1	1	
16	90467-09806	CLIP	1	1	1	1	1	

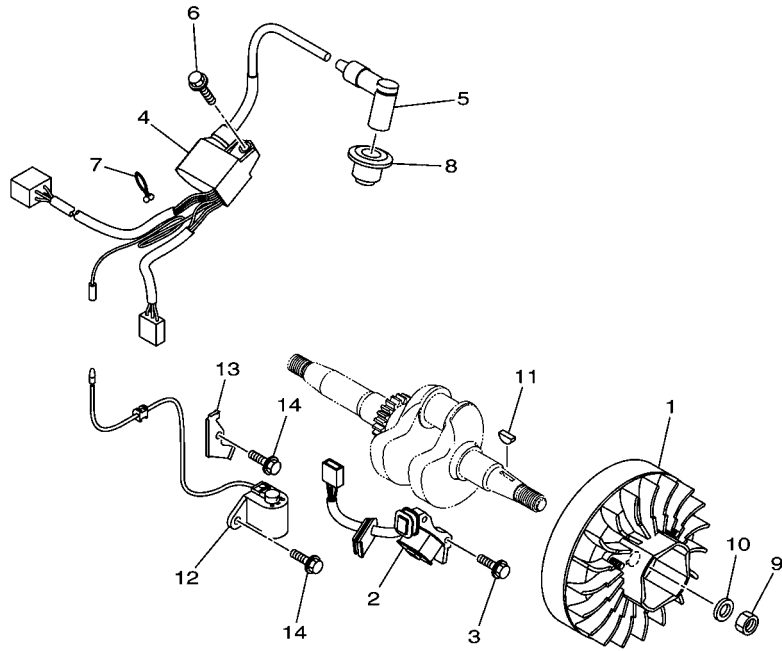
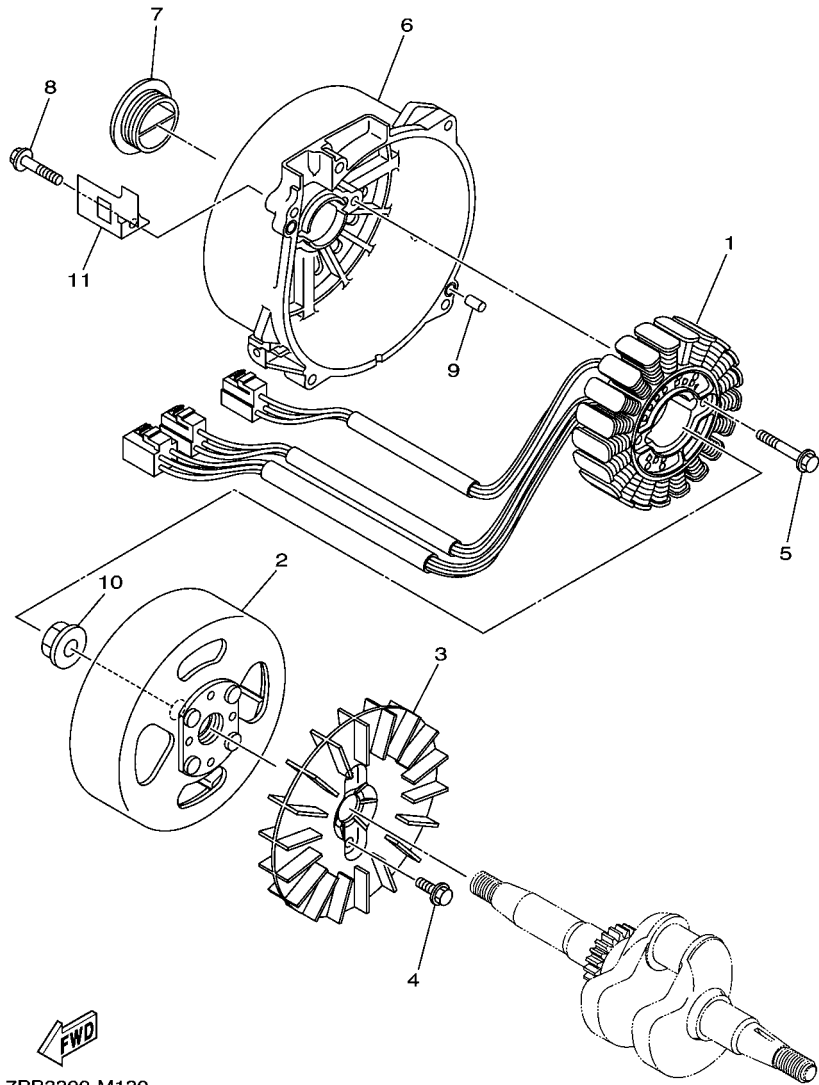


FIG. 12 TCI MAGNETO

REF. NO.	PART NO.	DESCRIPTION	AUS	KOR	CHN	IDN	ARG	REMARKS
1	7DX-H5550-10	ROTOR ASSY	1	1	1	1	1	
2	7DX-H5521-10	COIL ASSY	1	1	1	1	1	
3	95822-06020	BOLT, FLANGE	2	2	2	2	2	
4	7DX-H2310-01	IGNITION COIL ASSY	1	1	1	1	1	
5	7CN-H2370-00	PLUG CAP ASSY	1	1	1	1	1	
6	95802-06020	BOLT, FLANGE	1	1	1	1	1	
7	90464-16805	CLAMP	1	1	1	1	1	
8	7CP-H2372-00	SEAL, PLUG CAP	1	1	1	1	1	
9	95302-12700	NUT	1	1	1	1	1	
10	92902-12600	WASHER, PLATE	1	1	1	1	1	
11	90280-03045	KEY, WOODRUFF	1	1	1	1	1	
12	7DX-H5720-00	OIL LEVEL GAUGE ASSY	1	1	1	1	1	
13	7DX-H5724-00	CLAMP	1	1	1	1	1	
14	95822-06012	BOLT, FLANGE	3	3	3	3	3	



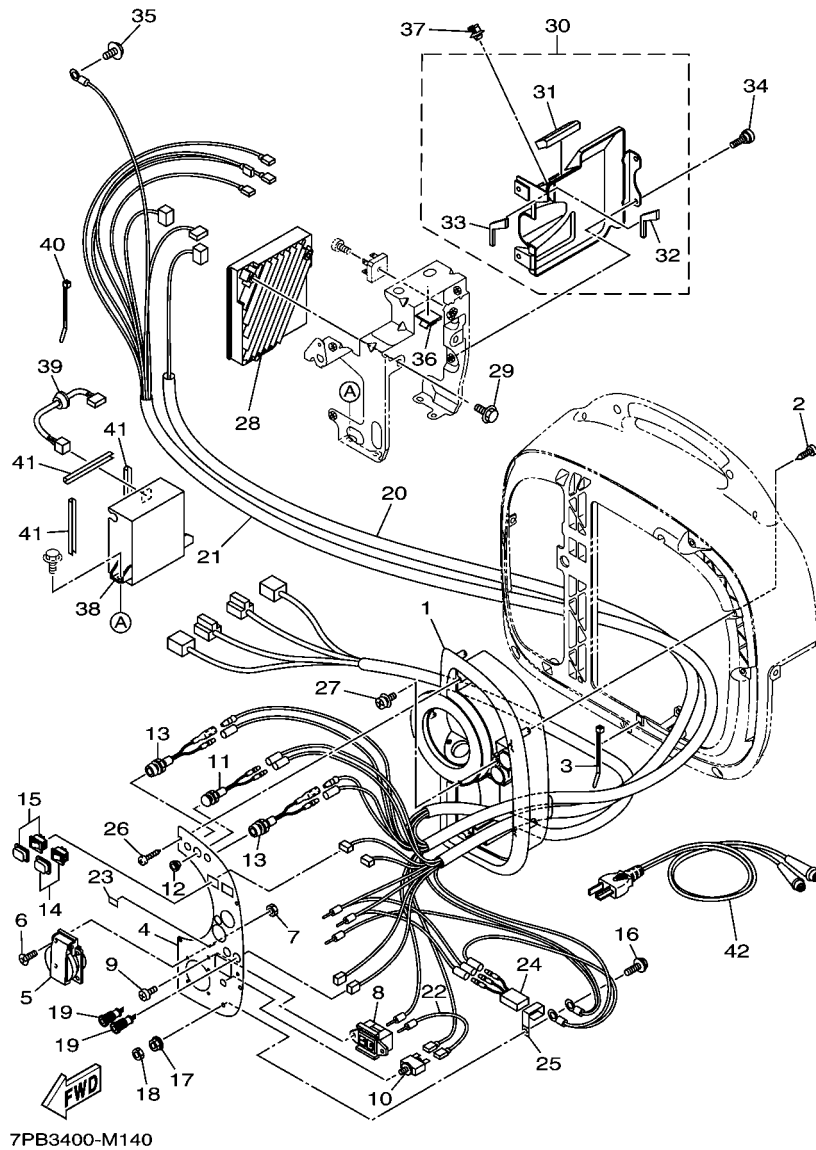
7PB2110-M120



7PB3300-M130

FIG. 13 GENERATOR

REF. NO.	PART NO.	DESCRIPTION	AUS	KOR	CHN	IDN	ARG	REMARKS
1	7PB-H7150-30	STATOR ASSY	1	1	1	1	1	
2	7PB-H7160-00	ROTOR ASSY	1	1	1	1	1	
3	7PB-H7172-00	FAN, GENERATOR	1	1	1	1	1	
4	95802-06012	BOLT, FLANGE	2	2	2	2	2	
5	95822-06040	BOLT, FLANGE	2	2	2	2	2	
6	7PB-H7174-00	COVER, REAR END	1	1	1	1	1	
7	7PB-H4762-00	GROMMET	1	1	1	1	1	
8	95802-06030	BOLT, FLANGE	5	5	5	5	5	
9	99530-08012	PIN, DOWEL	2	2	2	2	2	
10	90179-12013	NUT	1	1	1	1	1	
11	7PB-H5542-00	BRACKET	1	1	1	1	1	



7PB3400-M140

FIG. 14 CONTROL BOX 1

REF. NO.	PART NO.	DESCRIPTION	AUS	KOR	CHN	IDN	ARG	REMARKS
1	7PB-H7201-01	CONTROL BOX COMP.	1					
2	97702-50016	SCREW, TAPPING	5					
3	7CN-H7188-00	BINDER	1					
4	7PB-H7249-50	PLATE	1					
5	7C2-H7221-90	RECEPTACLE 1 (15A 250V)	1					
6	90151-03032	SCREW, COUNTERSUNK	4					
7	90179-03800	NUT	4					
8	7H8-87214-11	RECEPTACLE COMP. (WCZ 1220-125)	1					PANASONIC
9	98507-04008	SCREW, PAN HEAD	2					
10	7PB-H2181-10	CIRCUIT BREAKER COMP.	1					CARLING
11	7PB-H3530-G0	PILOT LIGHT ASSY	1					
12	90480-13012	GROMMET	1					
13	7PB-H3582-00	PILOT LIGHT ASSY	2					
14	7PB-H2550-00	ENGINE STOP SWITCH ASSY	1					(RED)
15	7C3-H2550-10	ENGINE STOP SWITCH ASSY	1					ECON. SW.(BLACK)
16	97080-05016	BOLT	1					
17	95702-05500	NUT, FLANGE	1					
18	95380-05700	NUT	1					
19	7PB-H7231-00	TERMINAL 1	2					
20	7PB-H7226-A0	WIRE HARNESS ASSY	1					
21	7PB-H722J-A0	WIRE, LEAD	1					
22	7PB-H722Y-20	WIRE, LEAD 4	1					
23	7PB-H4306-30	LABEL, CAUTION	1					
24	7PB-H8188-10	FILTER, NOISE	1					
25	90462-05061	CLAMP	1					
26	97707-40516	SCREW, TAPPING	5					
27	97607-05212	SCREW, WITH WASHER	1					

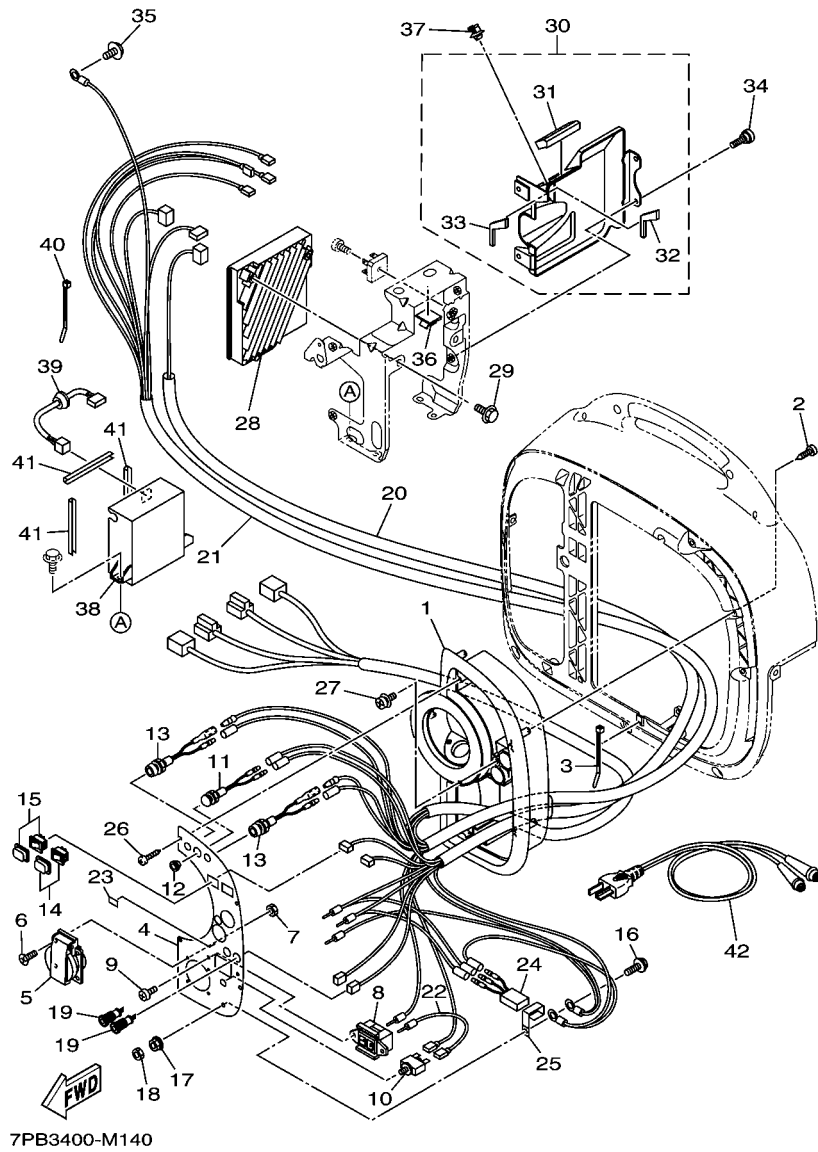
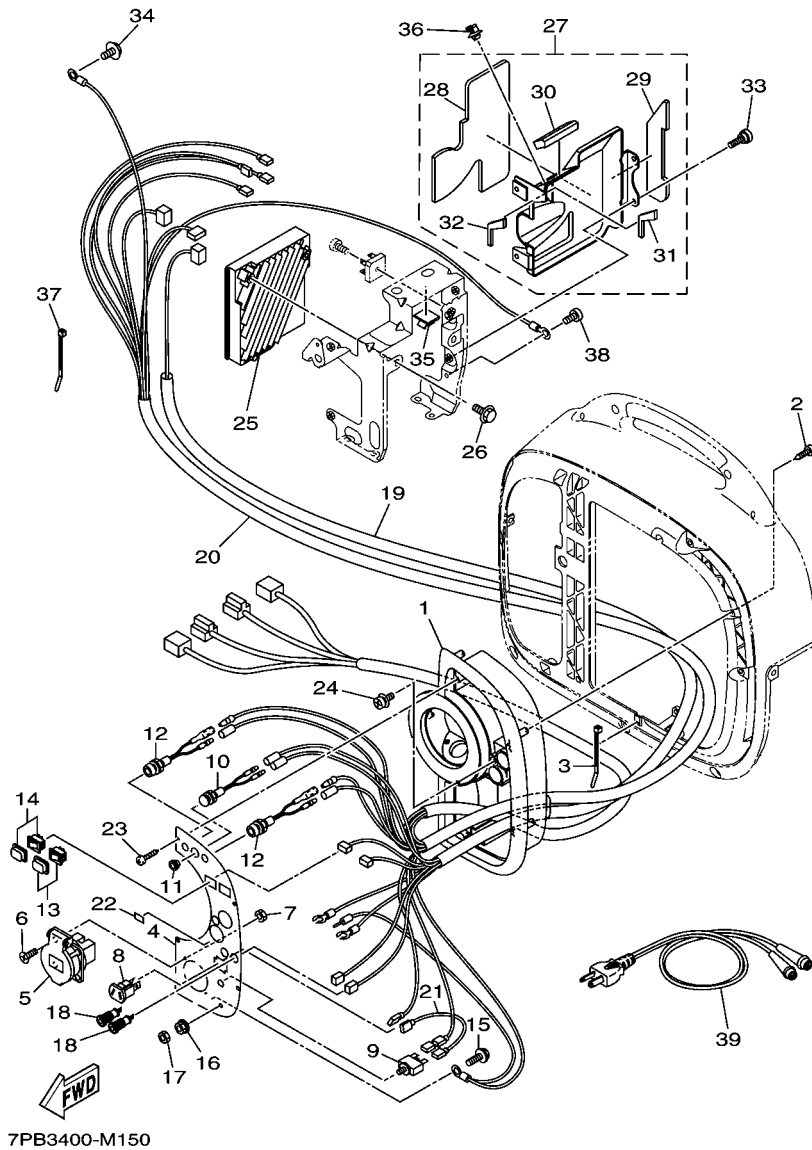


FIG. 14 CONTROL BOX 1

REF. NO.	PART NO.	DESCRIPTION	AUS	KOR	CHN	IDN	ARG	REMARKS
28	7PB-HA210-30	CONTROL UNIT	1					
29	95802-06010	BOLT, FLANGE	2					
30	7PB-F28G0-11	COVER ASSY 7	1					
31	90520-10003	.DAMPER, PLATE	1					
32	7PB-F289N-00	.SEAL 24	1					
33	7PB-F289R-00	.SEAL 25	1					
34	90157-05814	SCREW, PAN HEAD	3					
35	95802-06010	BOLT, FLANGE	1					
36	90464-07806	CLAMP	1					
37	90464-05002	CLAMP	1					
38	7PB-H8188-30	FILTER, NOISE	1					
39	7PB-H7223-M0	WIRE, LEAD 1	1					
40	7CN-H7188-00	BINDER	1					
41	7PB-F2831-00	STAY 1	3					
42	7PB-H7209-10	CHARGE CORD ASSY	1					



7PB3400-M150

FIG. 15 CONTROL BOX 2

REF. NO.	PART NO.	DESCRIPTION	AUS	KOR	CHN	IDN	ARG	REMARKS
1	7PB-H7201-01	CONTROL BOX COMP.		1				
2	97702-50016	SCREW, TAPPING		5				
3	7CN-H7188-00	BINDER		1				
4	7PB-H7249-20	PLATE		1				
5	7PB-H7221-80	RECEPTACLE 1 (S235E-2)		1				KEDU ELECTRIC
6	90151-03032	SCREW, COUNTERSUNK		4				
7	90179-03800	NUT		4				
8	7PB-H7239-00	RECEPTACLE COMP. (DC 24V-12A)		1				
9	7PB-H2181-10	CIRCUIT BREAKER COMP.		1				CARLING
10	7PB-H3530-G0	PILOT LIGHT ASSY		1				
11	90480-13012	GROMMET		1				
12	7PB-H3582-00	PILOT LIGHT ASSY		2				
13	7PB-H2550-00	ENGINE STOP SWITCH ASSY		1				(RED)
14	7C3-H2550-10	ENGINE STOP SWITCH ASSY		1				ECON. SW.(BLACK)
15	97080-05016	BOLT		1				
16	95702-05500	NUT, FLANGE		1				
17	95380-05700	NUT		1				
18	7PB-H7231-00	TERMINAL 1		2				
19	7PB-H7226-40	WIRE HARNESS ASSY		1				
20	7PB-H722J-20	WIRE, LEAD		1				
21	7PB-H722Y-00	WIRE, LEAD 4		1				
22	7PB-H4306-30	LABEL, CAUTION		1				
23	97707-40516	SCREW, TAPPING		5				
24	97607-05212	SCREW, WITH WASHER		1				
25	7PB-HA210-60	CONTROL UNIT		1				
26	95802-06010	BOLT, FLANGE		2				
27	7PB-F28G0-01	COVER ASSY 7		1				

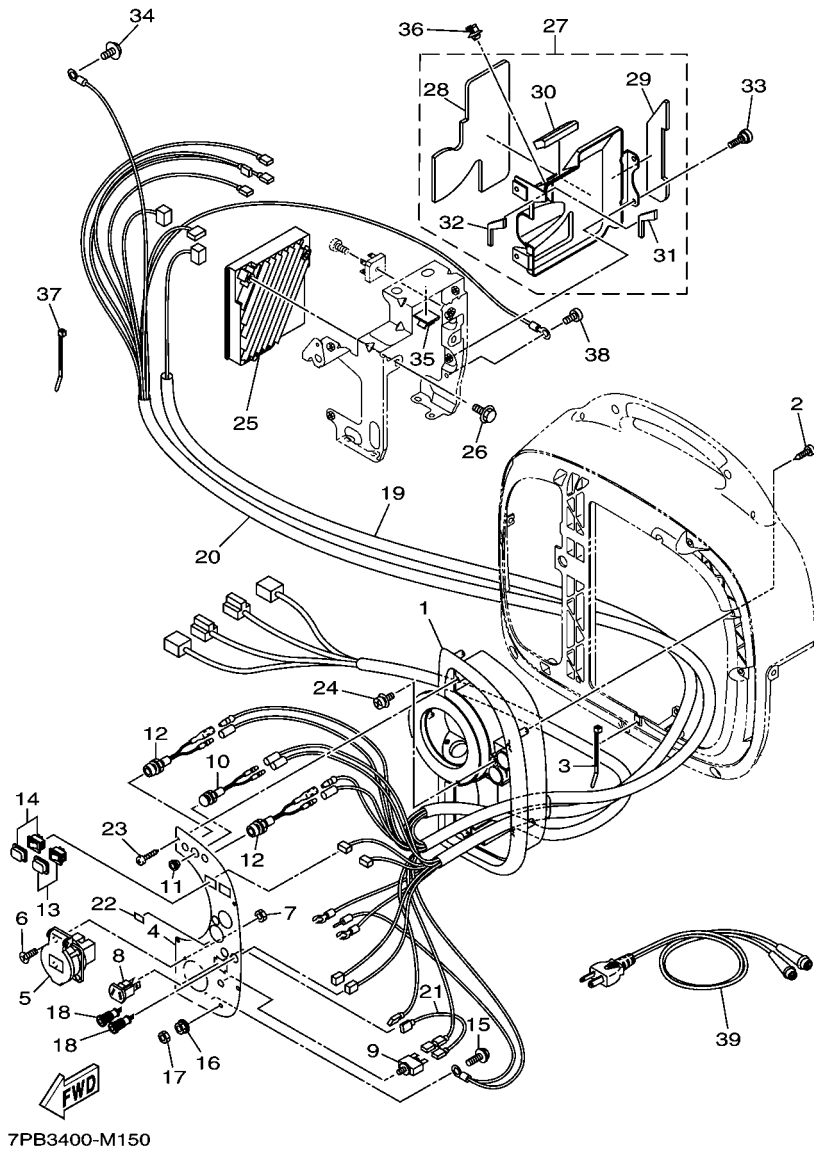


FIG. 15 CONTROL BOX 2

REF. NO.	PART NO.	DESCRIPTION	AUS	KOR	CHN	IDN	ARG	REMARKS
28	7PB-F2896-00	.SEAL 13		1				
29	7PB-F289L-00	.SEAL 22		1				
30	90520-10003	.DAMPER, PLATE		1				
31	7PB-F289N-00	.SEAL 24		1				
32	7PB-F289R-00	.SEAL 25		1				
33	90157-05814	SCREW, PAN HEAD		4				
34	95802-06010	BOLT, FLANGE		1				
35	90464-07806	CLAMP		1				
36	90464-05002	CLAMP		1				
37	7CN-H7188-00	BINDER		1				
38	98502-05008	SCREW, PAN HEAD		1				
39	7C3-H7209-00	CHARGE CORD ASSY		1				

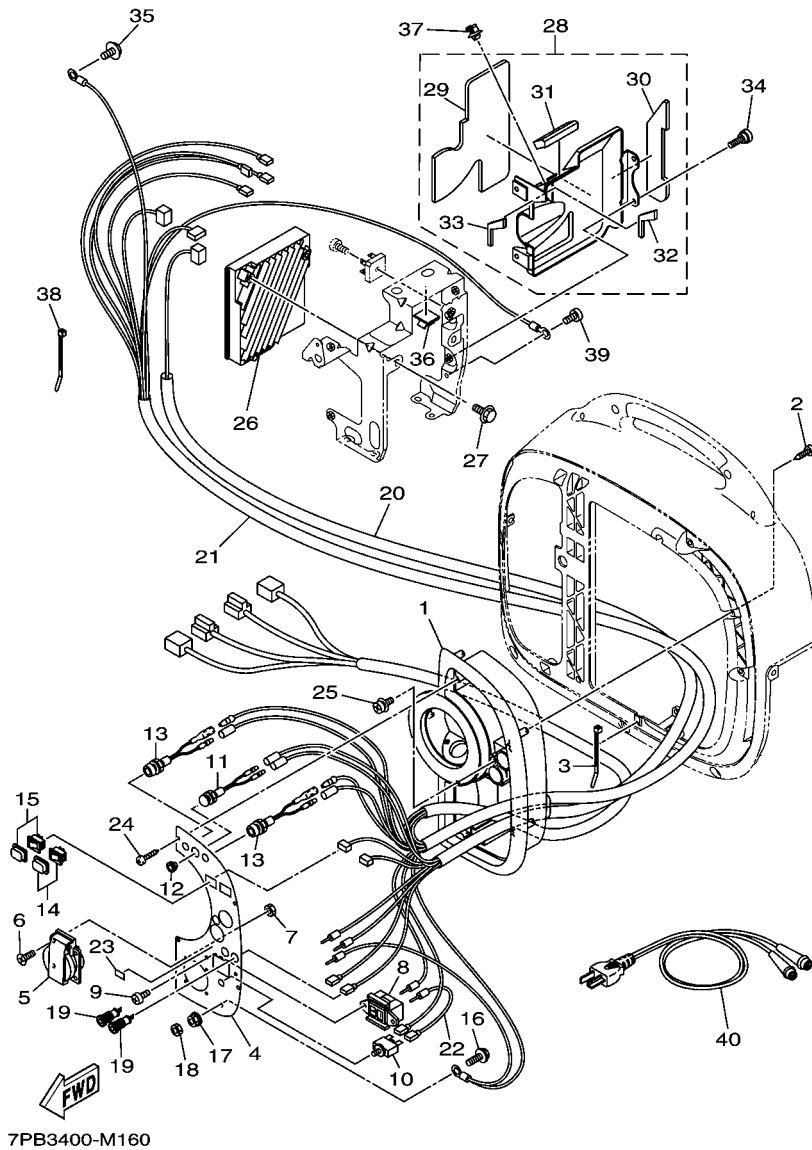


FIG. 16 CONTROL BOX 3

REF. NO.	PART NO.	DESCRIPTION	AUS	KOR	CHN	IDN	ARG	REMARKS
1	7PB-H7201-01	CONTROL BOX COMP.			1			
2	97702-50016	SCREW, TAPPING			5			
3	7CN-H7188-00	BINDER			1			
4	7PB-H7249-50	PLATE			1			
5	7C2-H7221-90	RECEPTACLE 1 (15A 250V)			1			
6	90151-03032	SCREW, COUNTERSUNK			4			
7	90179-03800	NUT			4			
8	7H8-87214-11	RECEPTACLE COMP. (WCZ 1220-125			1			PANASONIC
9	98507-04008	SCREW, PAN HEAD			2			
10	7PB-H2181-10	CIRCUIT BREAKER COMP.			1			CARLING
11	7PB-H3530-G0	PILOT LIGHT ASSY			1			
12	90480-13012	GROMMET			1			
13	7PB-H3582-00	PILOT LIGHT ASSY			2			
14	7PB-H2550-00	ENGINE STOP SWITCH ASSY			1			(RED)
15	7C3-H2550-10	ENGINE STOP SWITCH ASSY			1			ECON. SW.(BLACK)
16	97080-05016	BOLT			1			
17	95702-05500	NUT, FLANGE			1			
18	95380-05700	NUT			1			
19	7PB-H7231-00	TERMINAL 1			2			
20	7PB-H7226-50	WIRE HARNESS ASSY			1			
21	7PB-H722J-40	WIRE, LEAD			1			
22	7PB-H722Y-20	WIRE, LEAD 4			1			
23	7PB-H4306-30	LABEL, CAUTION			1			
24	97707-40516	SCREW, TAPPING			5			
25	97607-05212	SCREW, WITH WASHER			1			
26	7PB-HA210-30	CONTROL UNIT			1			
27	95802-06010	BOLT, FLANGE			2			

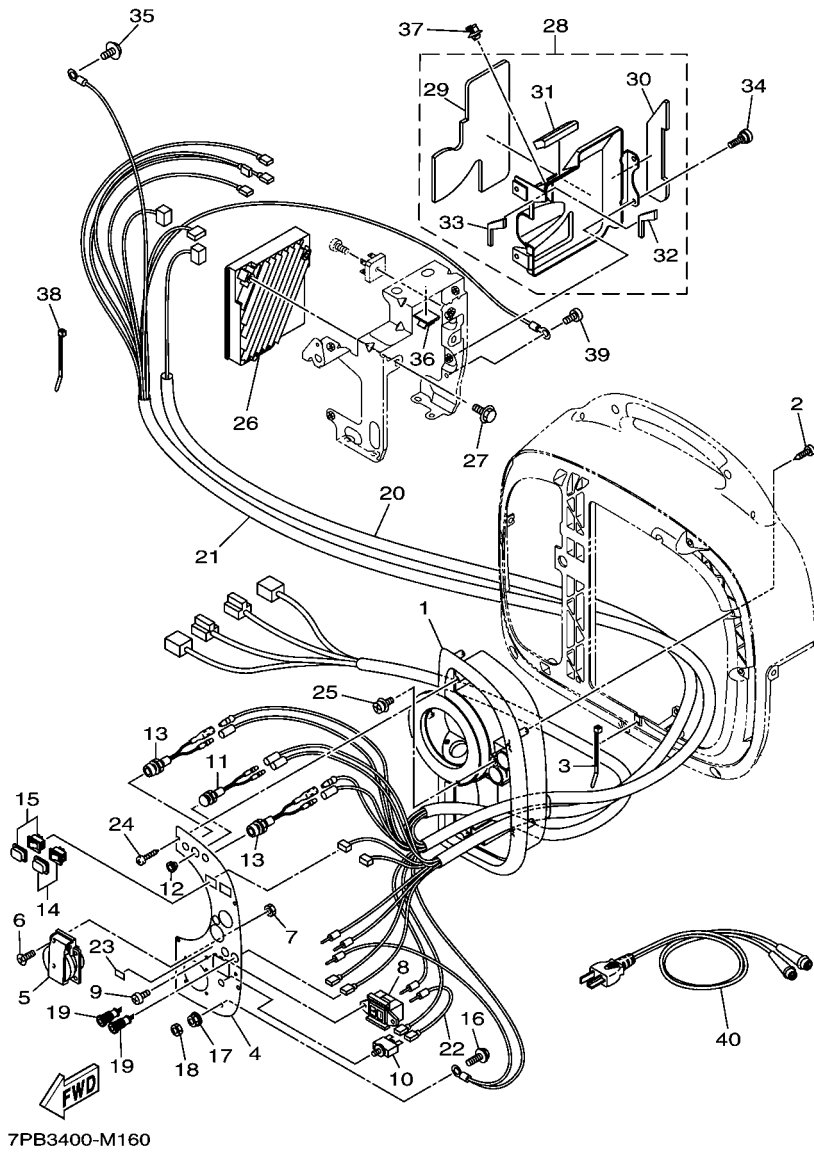
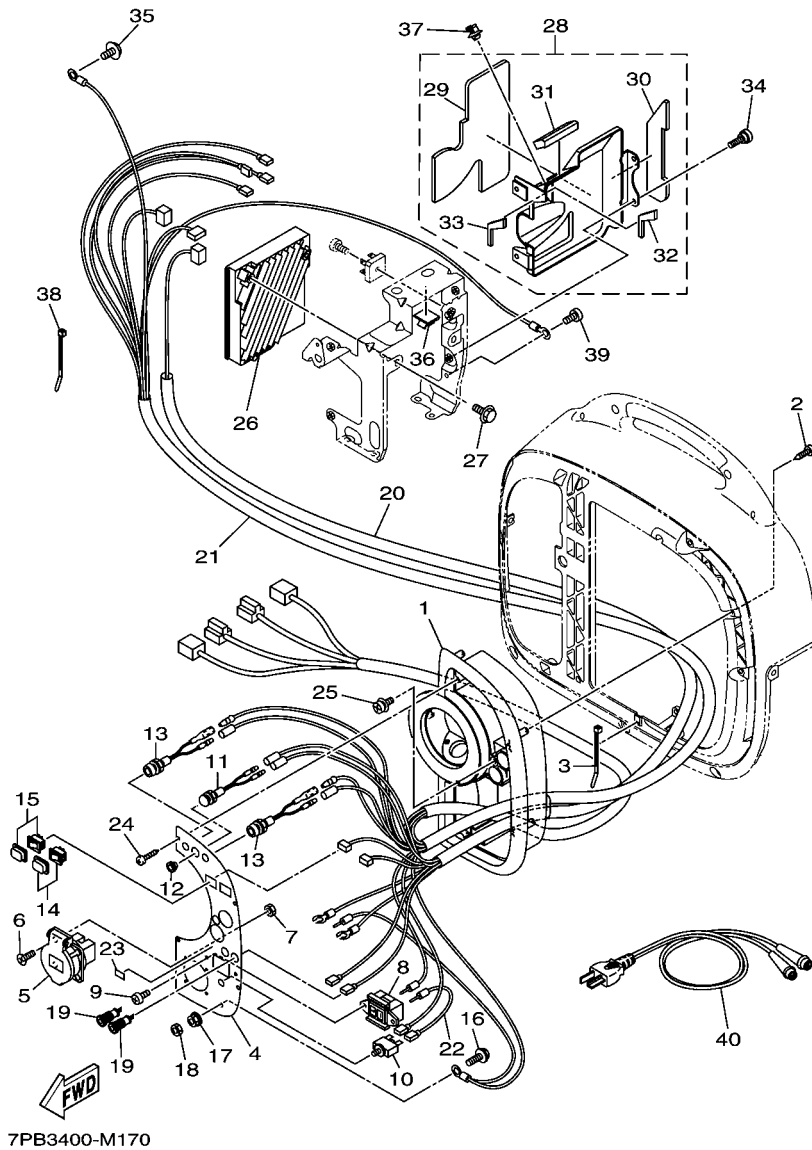


FIG. 16 CONTROL BOX 3

REF. NO.	PART NO.	DESCRIPTION	AUS	KOR	CHN	IDN	ARG	REMARKS
28	7PB-F28G0-01	COVER ASSY 7			1			
29	7PB-F2896-00	.SEAL 13			1			
30	7PB-F289L-00	.SEAL 22			1			
31	90520-10003	.DAMPER, PLATE			1			
32	7PB-F289N-00	.SEAL 24			1			
33	7PB-F289R-00	.SEAL 25			1			
34	90157-05814	SCREW, PAN HEAD			4			
35	95802-06010	BOLT, FLANGE			1			
36	90464-07806	CLAMP			1			
37	90464-05002	CLAMP			1			
38	7CN-H7188-00	BINDER			1			
39	98502-05008	SCREW, PAN HEAD			1			
40	7PB-H7209-10	CHARGE CORD ASSY			1			



7PB3400-M170

FIG. 17 CONTROL BOX 4

REF. NO.	PART NO.	DESCRIPTION	AUS	KOR	CHN	IDN	ARG	REMARKS
1	7PB-H7201-01	CONTROL BOX COMP.				1		
2	97702-50016	SCREW, TAPPING				5		
3	7CN-H7188-00	BINDER				1		
4	7PB-H7249-50	PLATE				1		
5	7PB-H7221-80	RECEPTACLE 1 (S235E-2)				1		KEDU ELECTRIC
6	90151-03032	SCREW, COUNTERSUNK				4		
7	90179-03800	NUT				4		
8	7H8-87214-11	RECEPTACLE COMP. (WCZ 1220-125				1		PANASONIC
9	98507-04008	SCREW, PAN HEAD				2		
10	7PB-H2181-10	CIRCUIT BREAKER COMP.				1		CARLING
11	7PB-H3530-G0	PILOT LIGHT ASSY				1		
12	90480-13012	GROMMET				1		
13	7PB-H3582-00	PILOT LIGHT ASSY				2		
14	7PB-H2550-00	ENGINE STOP SWITCH ASSY				1		(RED)
15	7C3-H2550-10	ENGINE STOP SWITCH ASSY				1		ECON. SW.(BLACK)
16	97080-05016	BOLT				1		
17	95702-05500	NUT, FLANGE				1		
18	95380-05700	NUT				1		
19	7PB-H7231-00	TERMINAL 1				2		
20	7PB-H7226-40	WIRE HARNESS ASSY				1		
21	7PB-H722J-40	WIRE, LEAD				1		
22	7PB-H722Y-20	WIRE, LEAD 4				1		
23	7PB-H4306-30	LABEL, CAUTION				1		
24	97707-40516	SCREW, TAPPING				5		
25	97607-05212	SCREW, WITH WASHER				1		
26	7PB-HA210-30	CONTROL UNIT				1		
27	95802-06010	BOLT, FLANGE				2		

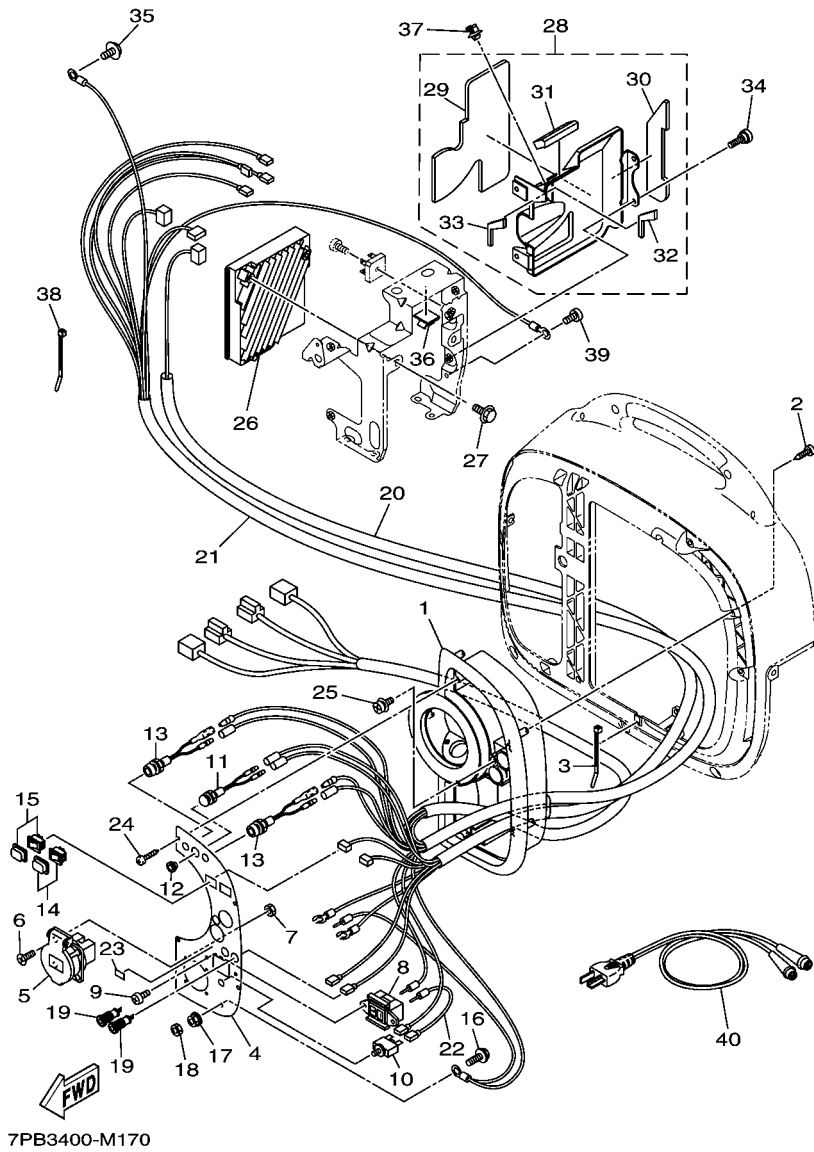
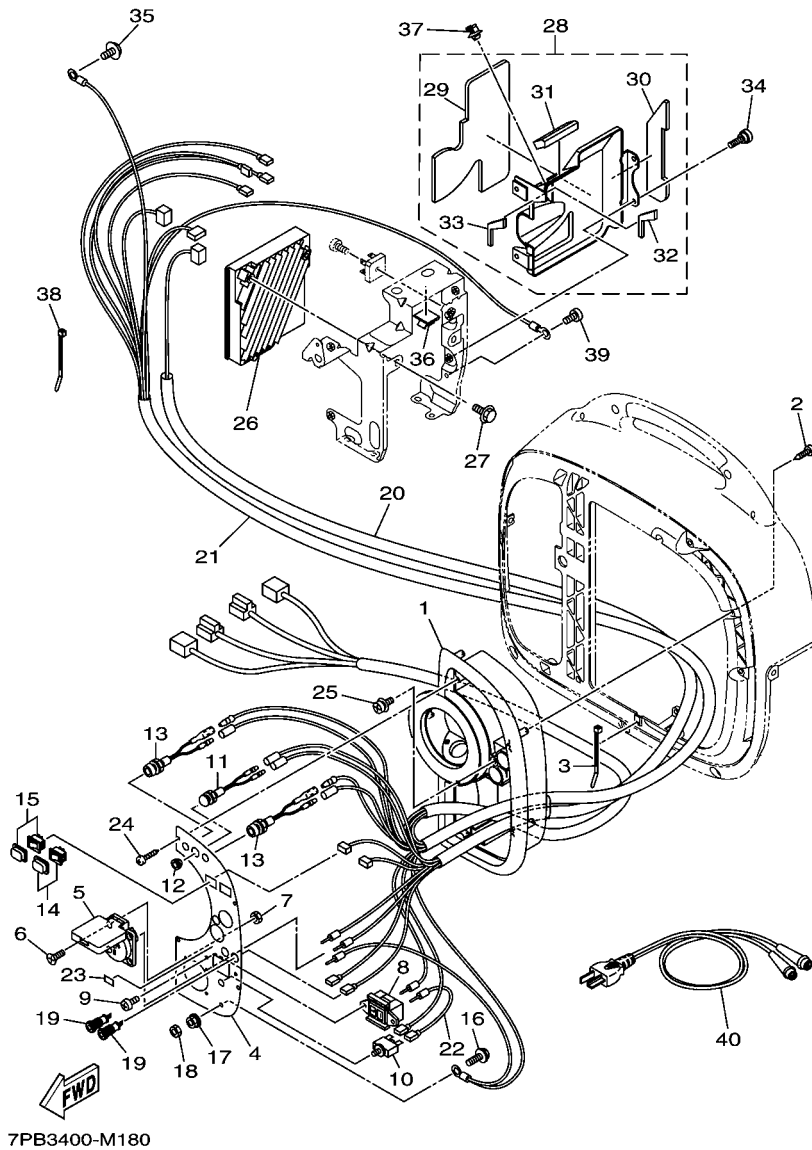


FIG. 17 CONTROL BOX 4

REF. NO.	PART NO.	DESCRIPTION	AUS	KOR	CHN	IDN	ARG	REMARKS
28	7PB-F28G0-01	COVER ASSY 7				1		
29	7PB-F2896-00	.SEAL 13				1		
30	7PB-F289L-00	.SEAL 22				1		
31	90520-10003	.DAMPER, PLATE				1		
32	7PB-F289N-00	.SEAL 24				1		
33	7PB-F289R-00	.SEAL 25				1		
34	90157-05814	SCREW, PAN HEAD				4		
35	95802-06010	BOLT, FLANGE				1		
36	90464-07806	CLAMP				1		
37	90464-05002	CLAMP				1		
38	7CN-H7188-00	BINDER				1		
39	98502-05008	SCREW, PAN HEAD				1		
40	7PB-H7209-10	CHARGE CORD ASSY				1		



7PB3400-M180

FIG. 18 CONTROL BOX 5

REF. NO.	PART NO.	DESCRIPTION	AUS	KOR	CHN	IDN	ARG	REMARKS
1	7PB-H7201-01	CONTROL BOX COMP.					1	
2	97702-50016	SCREW, TAPPING					5	
3	7CN-H7188-00	BINDER					1	
4	7PB-H7249-40	PLATE					1	
5	7PB-H7221-50	RECEPTACLE 1 (S230E-7-5)					1	KEDU ELECTRIC
6	90151-03032	SCREW, COUNTERSUNK					4	
7	90179-03800	NUT					4	
8	7H8-87214-11	RECEPTACLE COMP. (WCZ 1220-125					1	PANASONIC
9	98507-04008	SCREW, PAN HEAD					2	
10	7PB-H2181-10	CIRCUIT BREAKER COMP.					1	CARLING
11	7PB-H3530-G0	PILOT LIGHT ASSY					1	
12	90480-13012	GROMMET					1	
13	7PB-H3582-00	PILOT LIGHT ASSY					2	
14	7PB-H2550-00	ENGINE STOP SWITCH ASSY					1	(RED)
15	7C3-H2550-10	ENGINE STOP SWITCH ASSY					1	ECON. SW.(BLACK)
16	97080-05016	BOLT					1	
17	95702-05500	NUT, FLANGE					1	
18	95380-05700	NUT					1	
19	7PB-H7231-00	TERMINAL 1					2	
20	7PB-H7226-50	WIRE HARNESS ASSY					1	
21	7PB-H722J-40	WIRE, LEAD					1	
22	7PB-H722Y-20	WIRE, LEAD 4					1	
23	7PB-H4306-30	LABEL, CAUTION					1	
24	97707-40516	SCREW, TAPPING					5	
25	97607-05212	SCREW, WITH WASHER					1	
26	7PB-HA210-30	CONTROL UNIT					1	
27	95802-06010	BOLT, FLANGE					2	

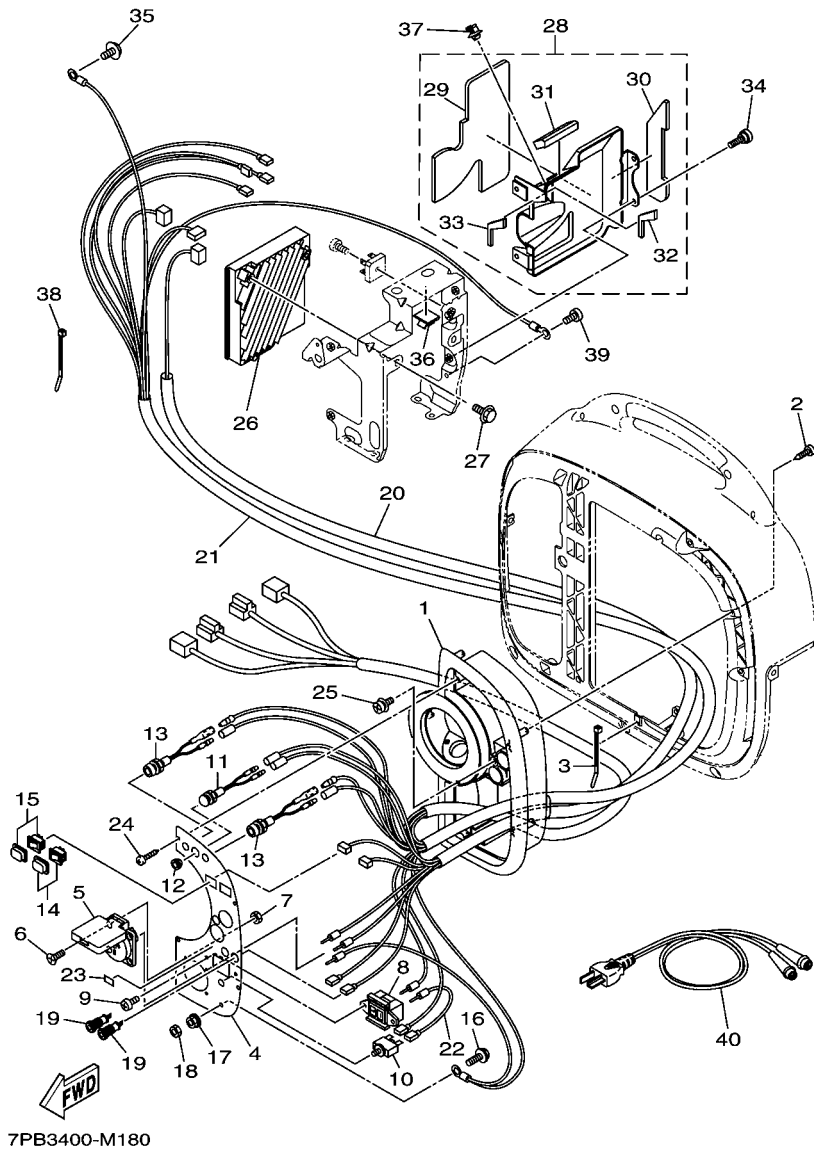
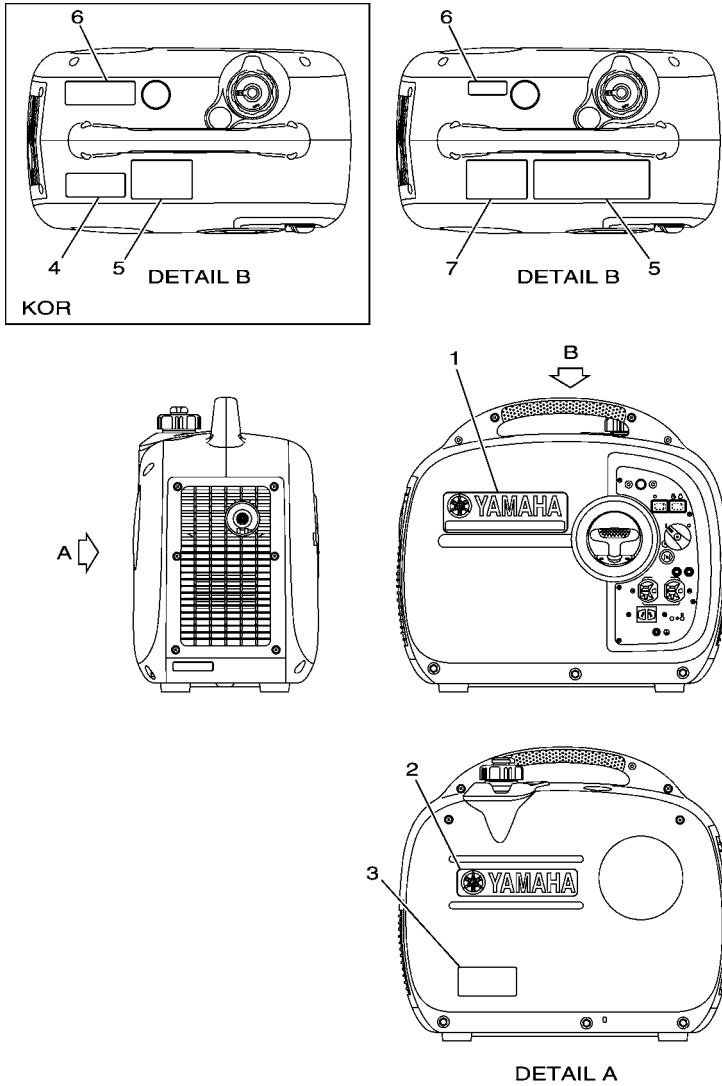


FIG. 18 CONTROL BOX 5

REF. NO.	PART NO.	DESCRIPTION	AUS	KOR	CHN	IDN	ARG	REMARKS
28	7PB-F28G0-01	COVER ASSY 7					1	
29	7PB-F2896-00	.SEAL 13					1	
30	7PB-F289L-00	.SEAL 22					1	
31	90520-10003	.DAMPER, PLATE					1	
32	7PB-F289N-00	.SEAL 24					1	
33	7PB-F289R-00	.SEAL 25					1	
34	90157-05814	SCREW, PAN HEAD					4	
35	95802-06010	BOLT, FLANGE					1	
36	90464-07806	CLAMP					1	
37	90464-05002	CLAMP					1	
38	7CN-H7188-00	BINDER					1	
39	98502-05008	SCREW, PAN HEAD					1	
40	7PB-H7209-10	CHARGE CORD ASSY					1	

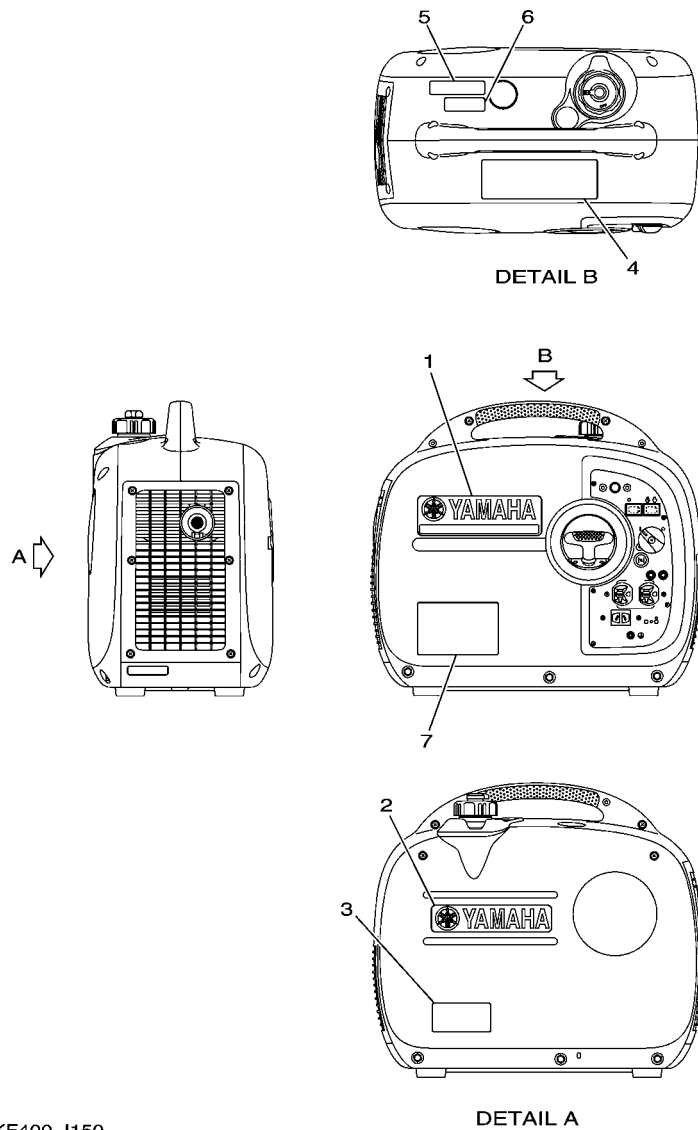


7PB3400-M190

FIG. 19 EMBLEM & LABEL 1

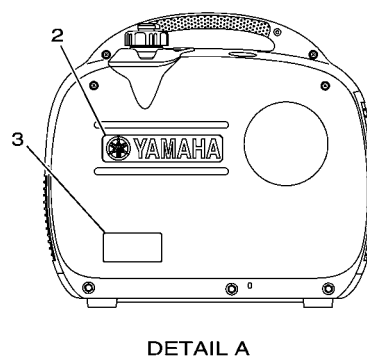
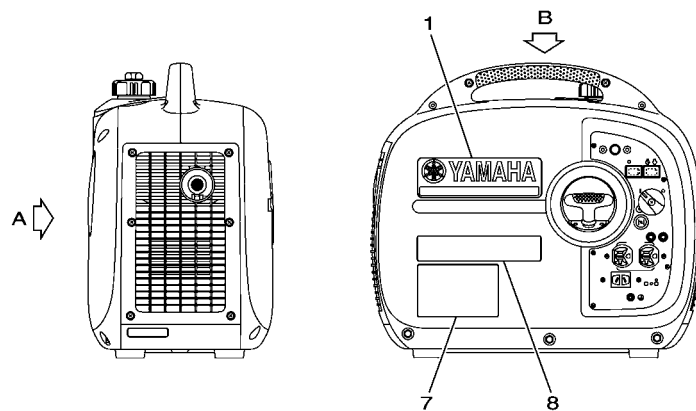
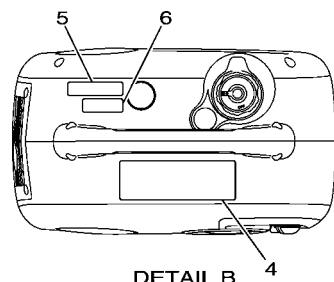
REF. NO.	PART NO.	DESCRIPTION	AUS	KOR	CHN	IDN	ARG	REMARKS
1	7PB-F4161-10	EMBLEM 1 (YAMAHA EF2000IS)	1	1				
2	7PB-F4161-30	EMBLEM 1 (YAMAHA)	1	1				
3	7PB-F4164-40	EMBLEM 4 (CN432, OIL)	1					
	7PB-F4164-30	EMBLEM 4 (OIL)		1				
4	7PB-H432R-00	LABEL (PARALLEL OPERATION...)		1				
5	7PB-F4162-10	EMBLEM 2 (WARNING)	1					
	7PB-F4162-50	EMBLEM 2 (STOP THE ENGINE...)		1				
6	7PB-F1696-10	LABEL, CAUTION (NOTICE)	1					
	7PB-F1696-50	LABEL, CAUTION (NOTICE)		1				
7	7PB-F4877-00	LABEL, CAUTION (WARHING)	1					

FIG. 20 EMBLEM & LABEL 2



7DKF400-J150

REF. NO.	PART NO.	DESCRIPTION	AUS	KOR	CHN	IDN	ARG	REMARKS
1	7PB-F4161-10	EMBLEM 1 (YAMAHA EF2000IS)			1			
2	7PB-F4161-30	EMBLEM 1 (YAMAHA)			1			
3	7PB-F4164-51	EMBLEM 4 (OIL)			1			
4	7PB-F4162-30	EMBLEM 2 (WARNING)			1			
5	7PB-F1696-30	LABEL, CAUTION (NOTICE)			1			
6	7PB-F1696-40	LABEL, CAUTION			1			
7	7PB-F4162-40	EMBLEM 2			1			

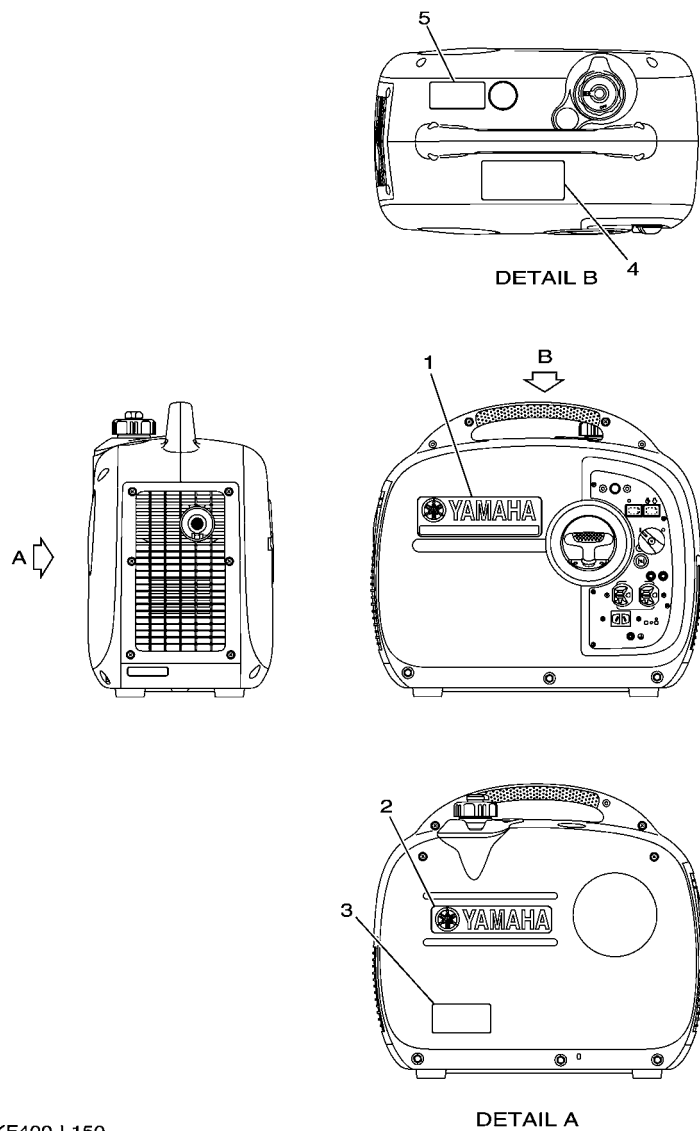


7PB3400-M210

FIG. 21 EMBLEM & LABEL 3

REF. NO.	PART NO.	DESCRIPTION	AUS	KOR	CHN	IDN	ARG	REMARKS
1	7PB-F4161-10	EMBLEM 1 (YAMAHA EF2000IS)				1		
2	7PB-F4161-30	EMBLEM 1 (YAMAHA)				1		
3	7PB-F4164-51	EMBLEM 4 (OIL)				1		
4	7PB-F4162-30	EMBLEM 2 (WARNING)				1		
5	7PB-F1696-30	LABEL, CAUTION (NOTICE)				1		
6	7PB-F1696-40	LABEL, CAUTION				1		
7	7PB-F4162-40	EMBLEM 2				1		
8	7PB-F4162-R0	EMBLEM 2				1		

FIG. 22 EMBLEM & LABEL 4



7DKF400-L150

REF. NO.	PART NO.	DESCRIPTION	AUS	KOR	CHN	IDN	ARG	REMARKS
1	7PB-F4161-10	EMBLEM 1 (YAMAHA EF2000IS)					1	
2	7PB-F4161-30	EMBLEM 1 (YAMAHA)					1	
3	7PB-F4164-51	EMBLEM 4 (OIL)					1	
4	7PB-F4162-50	EMBLEM 2 (STOP THE ENGINE...)					1	
5	7PB-F1696-50	LABEL, CAUTION (NOTICE)					1	
<hr/>								
<hr/>								
<hr/>								
<hr/>								
<hr/>								
<hr/>								
<hr/>								
<hr/>								

NUMERICAL INDEX

PART NO.	REF. NO.	PART NO.	REF. NO.	PART NO.	REF. NO.	PART NO.	REF. NO.	PART NO.	REF. NO.	PART NO.	REF. NO.
7H8-87214-11	14 - 8	7BX-E4184-00	6 - 8	7DX-E5751-00	4 - 15	7PB-F289L-00	16 - 30	7PB-F4164-51	20 - 3	7PB-H4306-30	18 - 23
	16 - 8	7BX-E4185-00	6 - 10	7PB-E5755-00	4 - 18		17 - 30		21 - 3	7PB-H432R-00	19 - 4
	17 - 8	7PB-E4186-00	6 - 20	7DX-E5793-00	4 - 14		18 - 30		22 - 3	7PB-H4762-00	13 - 7
	18 - 8	7BX-E4191-00	6 - 16	7PB-F1696-10	19 - 6	7PB-F289M-00	10 - 24	7PB-F4167-00	11 - 5	7DX-H5521-10	12 - 2
7DX-E1111-01	1 - 1	7PB-E4211-00	6 - 14	7PB-F1696-30	20 - 5	7PB-F289N-00	14 - 32	7PB-F4181-00	11 - 13	7PB-H5542-00	13 - 11
7DX-E1111J-00	1 - 13	7BX-E4212-00	6 - 15		21 - 5		15 - 31	7PB-F4191-00	9 - 28	7DX-H5550-10	12 - 1
7DX-E1166-00	1 - 12	7BX-E4216-00	6 - 2	7PB-F1696-40	20 - 6		16 - 32	7PB-F419A-00	10 - 6	7C6-H5710-00	11 - 6
7DX-E1179-00	1 - 3	7PB-E4227-00	6 - 12		21 - 6		17 - 32	7DX-F4311-00	5 - 3	7DX-H5720-00	12 - 12
7CY-E1181-00	1 - 4	7PB-E4243-00	6 - 6	7PB-F1696-50	19 - 6		18 - 32	7PB-F4500-00	11 - 7	7DX-H5724-00	12 - 13
7DX-E1190-00	1 - 9	7PB-E4293-00	6 - 21		22 - 5	7PB-F289R-00	14 - 33	7PB-F4512-00	11 - 8	7PB-H7105-00	9 - 32
7DX-E1351-00	1 - 10	7DX-E4411-00	5 - 9	7PB-F1764-00	10 - 9		15 - 32	7PB-F4524-00	11 - 14	7PB-H7150-30	13 - 1
7DX-E1400-10	2 - 1	7DX-E4412-00	5 - 10	7PB-F2218-00	9 - 10		16 - 33	7PB-F4610-00	11 - 4	7PB-H7160-00	13 - 2
7DX-E1561-00	2 - 8	7DX-E4416-00	5 - 17	7PB-F2275-00	9 - 9		17 - 33	7PB-F4877-00	19 - 7	7PB-H7172-00	13 - 3
7CY-E1610-00	2 - 5	7DX-E4451-00	5 - 11	7PB-F2483-00	9 - 36		18 - 33	7DX-F5153-00	3 - 15	7PB-H7174-00	13 - 6
7CY-E1610-10	2 - 5	7DX-E4452-00	7 - 11	7PB-F281K-00	10 - 25	7PB-F289U-00	10 - 21	7PB-F6331-00	9 - 34	7CN-H7188-00	14 - 3
7CY-E1610-20	2 - 5	7DX-E4453-01	5 - 12	7PB-F281L-00	10 - 26	7PB-F28B0-01	9 - 17	7CN-F8100-20	9 - 38		14 - 40
7DX-E1631-00-A0	2 - 4	7DX-E4457-00	7 - 12	7PB-F281M-00	10 - 27	7PB-F28D0-01	10 - 15	7PB-H2181-10	14 - 10		15 - 3
7DX-E1633-00	2 - 6	7DX-E4467-00	5 - 14	7PB-F281N-00	10 - 28	7PB-F28E0-01	10 - 22		15 - 9		15 - 37
7DX-E1635-00	2 - 4	7BX-E4486-00	6 - 3	7PB-F282E-00	9 - 15	7PB-F28F0-00	10 - 29		16 - 10		16 - 3
7DX-E1636-00	2 - 4	7DX-E4613-00	7 - 8		10 - 8	7PB-F28G0-01	15 - 27		17 - 10		16 - 38
7DX-E1650-00	2 - 2	7DX-E471C-10	7 - 10	7PB-F2831-00	14 - 41		16 - 28		18 - 10		17 - 3
7DX-E1654-00	2 - 3	7DX-E4721-10	7 - 1	7PB-F2855-00	10 - 7		17 - 28	7DX-H2310-01	12 - 4		17 - 38
7DX-E2111-10	3 - 3	7DX-E472C-10	7 - 20	7PB-F2865-01	9 - 12		18 - 28	7CN-H2370-00	12 - 5		18 - 3
7DX-E2117-00	3 - 7	7DX-E4786-00	7 - 2	7PB-F2866-01	10 - 1	7PB-F28G0-11	14 - 30	7CP-H2372-00	12 - 8		18 - 38
7DX-E2118-00	3 - 8	7CA-E4788-00	7 - 4	7PB-F286A-00	10 - 33	7PB-F28H0-01	10 - 35	7PB-H2550-00	14 - 14	7PB-H7201-01	14 - 1
7DX-E2119-01	3 - 14	7CA-E4799-00	7 - 3	7PB-F2873-00	9 - 13	7PB-F3383-00	9 - 23		15 - 13		15 - 1
7DX-E2121-10	3 - 4	7CA-E479E-00	7 - 5	7PB-F2874-00	9 - 18	7PB-F4110-10	11 - 1		16 - 14		16 - 1
7DX-E2151-00	3 - 9	7PB-E4A41-00	6 - 7	7PB-F2875-00	9 - 19	7PB-F4129-00	11 - 3		17 - 14		17 - 1
7DX-E2153-00	3 - 5	7PB-E4A42-19	6 - 4	7PB-F2876-00	10 - 2	7PB-F413X-00	11 - 11		18 - 14		18 - 1
7DX-E2154-00	3 - 13	7PB-E4A43-34	6 - 11	7PB-F2877-00	10 - 16	7PB-F4141-00	11 - 2	7C3-H2550-10	14 - 15	7C3-H7209-00	15 - 39
7DX-E2156-00	3 - 10	7PB-E4A81-00	6 - 9	7PB-F2878-00	10 - 17	7PB-F4161-10	19 - 1		15 - 14	7PB-H7209-10	14 - 42
7CT-E2159-00	3 - 11	7DX-E5111-00	8 - 1	7PB-F2879-00	10 - 23		20 - 1		16 - 15		16 - 40
7DX-E2180-11	3 - 1	7DX-E5363-00	8 - 8	7PB-F2881-02	9 - 1		21 - 1		17 - 15		17 - 40
7DX-E2287-00	3 - 2	7DX-E5411-00	8 - 5	7PB-F2885-00	10 - 30		22 - 1		18 - 15		18 - 40
7DX-E261D-00	4 - 5	7DX-E5451-00	8 - 10	7PB-F2886-00	10 - 3	7PB-F4161-30	19 - 2	7PB-H3530-G0	14 - 11	7PB-H7221-50	18 - 5
7DX-E2621-00	4 - 1	7DX-E5494-00	7 - 13	7PB-F2888-00	10 - 31		20 - 2		15 - 10	7PB-H7221-80	15 - 5
7CP-E262J-00	4 - 6	7DX-E5495-00	7 - 16	7PB-F2889-00	10 - 32		21 - 2		16 - 11		17 - 5
7DX-E2651-00	4 - 3		7 - 21	7PB-F2891-00	9 - 7		22 - 2		17 - 11	7C2-H7221-90	14 - 5
7DX-E2691-00	7 - 22	7DX-E5496-00	7 - 14	7PB-F2895-00	9 - 2	7PB-F4162-10	19 - 5		18 - 11		16 - 5
7DX-E3556-00	5 - 7	7DX-E549D-00	7 - 15	7PB-F2896-00	15 - 28	7PB-F4162-30	20 - 4	7PB-H3582-00	14 - 13	7PB-H7223-M0	14 - 39
7DX-E3556-10	5 - 8	7DX-E5710-00	4 - 8		16 - 29		21 - 4		15 - 12	7PB-H7226-40	15 - 19
7DX-E3593-00	5 - 6	7CN-E5713-00	4 - 11		17 - 29	7PB-F4162-40	20 - 7		16 - 13		17 - 20
7DX-E3595-00	5 - 5	7DX-E5714-00	4 - 9		18 - 29		21 - 7		17 - 13	7PB-H7226-50	16 - 20
7PB-E4101-00	6 - 1	7CN-E5715-00	4 - 12	7PB-F289F-00	10 - 12	7PB-F4162-50	19 - 5		18 - 13		18 - 20
7BX-E4121-00	6 - 17	7DX-E5716-00	4 - 13	7PB-F289H-00	10 - 18		22 - 4	7PB-H4306-30	14 - 23	7PB-H7226-A0	14 - 20
7BX-E4150-00	6 - 18	7PB-E5720-01	4 - 19	7PB-F289J-00	10 - 19	7PB-F4162-R0	21 - 8		15 - 22	7PB-H722J-20	15 - 20
7BX-E4159-00	6 - 19	7DX-E5734-00	4 - 16	7PB-F289K-00	10 - 20	7PB-F4164-30	19 - 3		16 - 23	7PB-H722J-40	16 - 21
7PB-E4162-00	6 - 13	7CN-E5741-01	4 - 10	7PB-F289L-00	15 - 29	7PB-F4164-40	19 - 3		17 - 23		17 - 21

NUMERICAL INDEX

PART NO.	REF. NO.	PART NO.	REF. NO.	PART NO.	REF. NO.	PART NO.	REF. NO.	PART NO.	REF. NO.	PART NO.	REF. NO.
7PB-H722J-40	18 - 21	90179-12013	13 - 10	90520-05801	4 - 7	95802-06016	4 - 17	98507-04008	18 - 9		
7PB-H722J-A0	14 - 21	90183-05004	9 - 22	90520-10003	14 - 31	95802-06020	5 - 15	98707-04020	11 - 15		
7PB-H722Y-00	15 - 21		10 - 34		15 - 30		12 - 6	99530-08012	1 - 7		
7PB-H722Y-20	14 - 22		11 - 12		16 - 31	95802-06030	13 - 8		8 - 4		
	16 - 22	90183-050A7	9 - 6		17 - 31	95812-06012	9 - 27		13 - 9		
	17 - 22		9 - 14		18 - 31	95822-06012	12 - 14				
	18 - 22		10 - 5	90520-10009	9 - 24	95822-06014	7 - 9				
7PB-H7231-00	14 - 19	90183-06808	5 - 18		10 - 13	95822-06016	1 - 11				
	15 - 18	90201-11597	9 - 35	90520-15011	10 - 37		7 - 17				
	16 - 19	90202-05193	11 - 9	92902-06200	1 - 6	95822-06020	8 - 11				
	17 - 19	90280-03045	12 - 11	92902-12600	12 - 10		12 - 3				
	18 - 19	90387-063K3	9 - 4	93102-20802	8 - 3	95822-06040	13 - 5				
7PB-H7239-00	15 - 8	90387-068L2	7 - 19		8 - 7	95822-06050	1 - 5				
7PB-H7249-20	15 - 4	90446-05006	5 - 1	93210-15803	8 - 9	97080-05016	14 - 16				
7PB-H7249-40	18 - 4	90462-05061	14 - 25	93306-204YY	8 - 2		15 - 15				
7PB-H7249-50	14 - 4	90464-05002	14 - 37		8 - 6		16 - 16				
	16 - 4		15 - 36	93450-13819	2 - 7		17 - 16				
	17 - 4		16 - 37	94702-00821	1 - 8		18 - 16				
7PB-H8188-10	14 - 24		17 - 37	95302-06600	7 - 7	97607-05212	10 - 40				
7PB-H8188-30	14 - 38		18 - 37	95302-12700	12 - 9		10 - 41				
7PB-HA210-30	14 - 28	90464-07806	14 - 36	95380-05700	14 - 18		10 - 42				
	16 - 26		15 - 35		15 - 17		10 - 43				
	17 - 26		16 - 36		16 - 18		14 - 27				
	18 - 26		17 - 36		17 - 18		15 - 24				
7PB-HA210-60	15 - 25		18 - 36		18 - 18		16 - 25				
90109-06278	9 - 37	90464-16805	12 - 7	95602-06615	1 - 2		17 - 25				
	10 - 38	90467-05800	5 - 2	95702-05500	14 - 17		18 - 25				
90119-06147	9 - 3	90467-09804	5 - 4		15 - 16	97702-50014	7 - 23				
90149-06108	11 - 10	90467-09806	11 - 16		16 - 17	97702-50016	9 - 21				
90151-03032	14 - 6	90480-01558	9 - 31		17 - 17		14 - 2				
	15 - 6	90480-01559	10 - 11		18 - 17		15 - 2				
	16 - 6	90480-12237	7 - 18	95702-06500	5 - 16		16 - 2				
	17 - 6	90480-13012	14 - 12		9 - 5		17 - 2				
	18 - 6		15 - 11		9 - 8		18 - 2				
90153-05800	7 - 6		16 - 12	95802-06010	9 - 29	97707-40516	14 - 26				
90154-06823	5 - 13		17 - 12		10 - 39		15 - 23				
90157-05814	14 - 34		18 - 12		14 - 29		16 - 24				
	15 - 33	90480-13398	10 - 10		14 - 35		17 - 24				
	16 - 34	90480-13567	9 - 30		15 - 26		18 - 24				
	17 - 34	90501-20800	3 - 6		15 - 34	98502-05008	6 - 5				
	18 - 34	90520-03006	9 - 11		16 - 27		15 - 38				
90170-05806	3 - 12	90520-04003	10 - 4		16 - 35		16 - 39				
90173-06008	9 - 26	90520-04004	10 - 14		17 - 27		17 - 39				
90179-03800	14 - 7	90520-04010	10 - 36		17 - 35		18 - 39				
	15 - 7	90520-05004	9 - 20		18 - 27	98502-05014	9 - 33				
	16 - 7	90520-05005	9 - 16		18 - 35	98507-04008	14 - 9				
	17 - 7	90520-05010	9 - 25	95802-06012	13 - 4		16 - 9				
	18 - 7	90520-05800	4 - 4	95802-06016	4 - 2		17 - 9				