



# PARTS CATALOGUE

**ET-1** (7L52) CSA

**ET-1** (7L53) SEA,AFR,PHL,PER,OCE,SAU,RUS,IDN

ET-1  
PARTS CATALOGUE  
©2015 by Yamaha Motor Co., Ltd.  
1st edition, September 2015  
All rights reserved.  
Any reprinting or unauthorized use  
without the written permission of  
Yamaha Motor Co., Ltd.  
is expressly prohibited.  
Printed in Japan.

# FOREWORD

This Parts Catalogue is related to the parts for the model(s) on the cover page. When you are ordering replacement parts, please refer to this Parts Catalogue and quote both part numbers and part names correctly.

1. Modifications or additions which have been made after the issue of the Parts Catalogue will be announced in the Parts News.

It is advisable that you make the necessary corrections to the Parts Catalogue according to the Parts News.

2. Abbreviations

The following abbreviations are used in this Parts Catalogue.

“UR” Use specified parts number.

“UN” Use as many as needed.

“AP” Alternate Parts

“LM” Locally Made (Parts need to be ordered locally)

“F#” Frame No. (Applicable machine No.)

“O/S” Over Size

3. The number of components for assembly

- Parts, which are to be supplied in an assembly, are listed with a dot (.) in front of the part name as shown below.
- The numeral appearing to the right of each component part indicates the quantity of parts for each assembly unit.

PART NO.	DESCRIPTION	Q'TY	REMARKS
2F5-83310-60	FRONT FLASHER LIGHT ASSY	2	
115-83311-60	.BULB (6V-18W)	1	

4. Applicable colours of graphics are represented in the “REMARKS” as shown below.

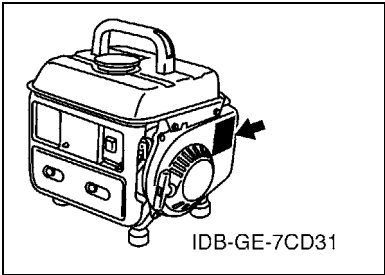
PART NO.	DESCRIPTION	Q'TY	REMARKS
2N4-24110-00-X5	FUEL TANK COMP.	2	MXR
3J1-24240-10	.GRAPHIC, FUEL TANK	1	FOR MXR

5. Note that the illustrations for reference in finding parts numbers are not to be used for assembling. When assembling, please use the applicable service manual.

6. The asterisk (\*) before a reference number indicates modified items after the first edition.

# FOREWORD

7. Applicable Serial No.  
 Frame Serial No.



8. Applicable Colour Code (The (\*) mark shows Model colour.)

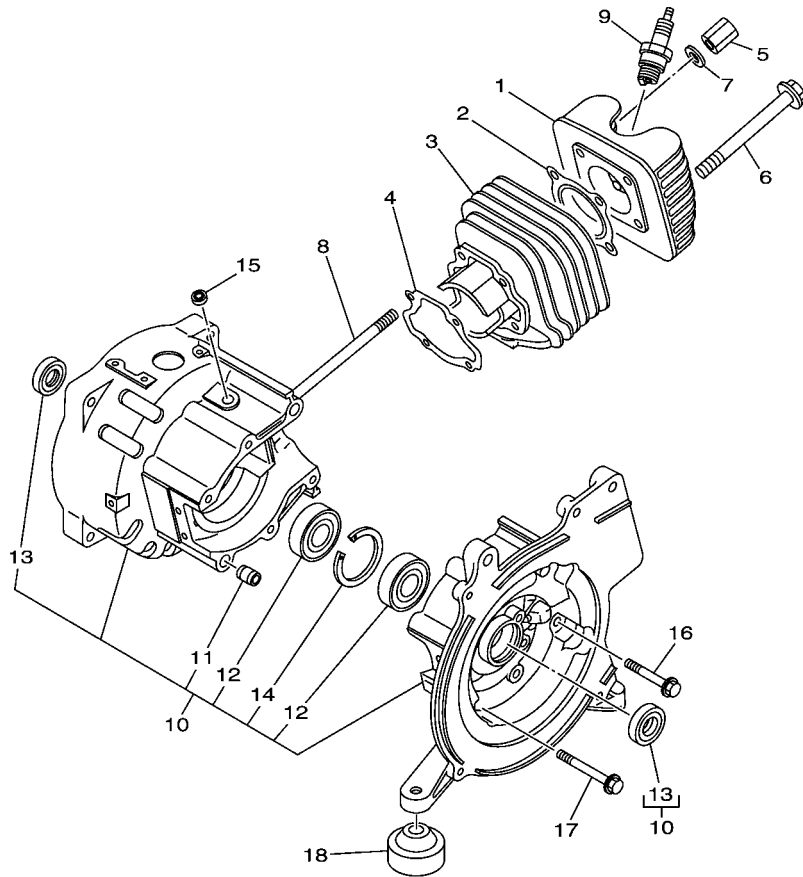
Abbreviation	Colour Name	Colour Code

9. Applicable Starting Serial No.  
 \*\*\*\*\*Serial NO.

Model	Model Code	Destination	Voltage	Serial NO.
ET-1	7L52	CSA	120V-60Hz	7L5-2000101
ET-1	7L53	SEA, AFR	220V-50Hz	7L5-3000101
ET-1	7L53	PHL, PER	220V-60Hz	7L5-3500101
ET-1	7L53	OCE	230V-50Hz	7L5-3600101
ET-1	7L53	SAU	220V-60Hz	7L5-3700101
ET-1	7L53	RUS	220V-50Hz	7L5-3750101
ET-1	7L53	IDN	220V-50Hz	7L5-3300101

# CONTENTS

CYLINDER .....	1
CRANKSHAFT & PISTON .....	2
GOVERNOR .....	3
AIR SHROUD & STARTER .....	4
INTAKE .....	5
EXHAUST .....	6
FUEL TANK .....	7
MAGNETO .....	8
GENERATOR .....	9
CONTROL BOX .....	10
CONTROL BOX 2 .....	11
EMBLEM & LABEL .....	12
<b>INDEX</b>	
NUMERICAL INDEX .....	13

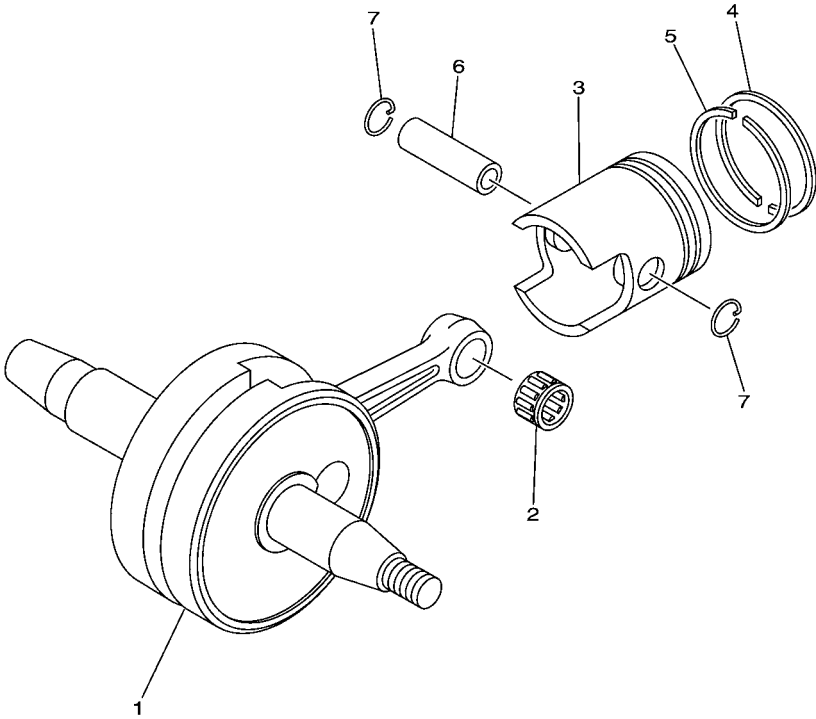


  
7L52400-M011

**FIG. 1 CYLINDER**

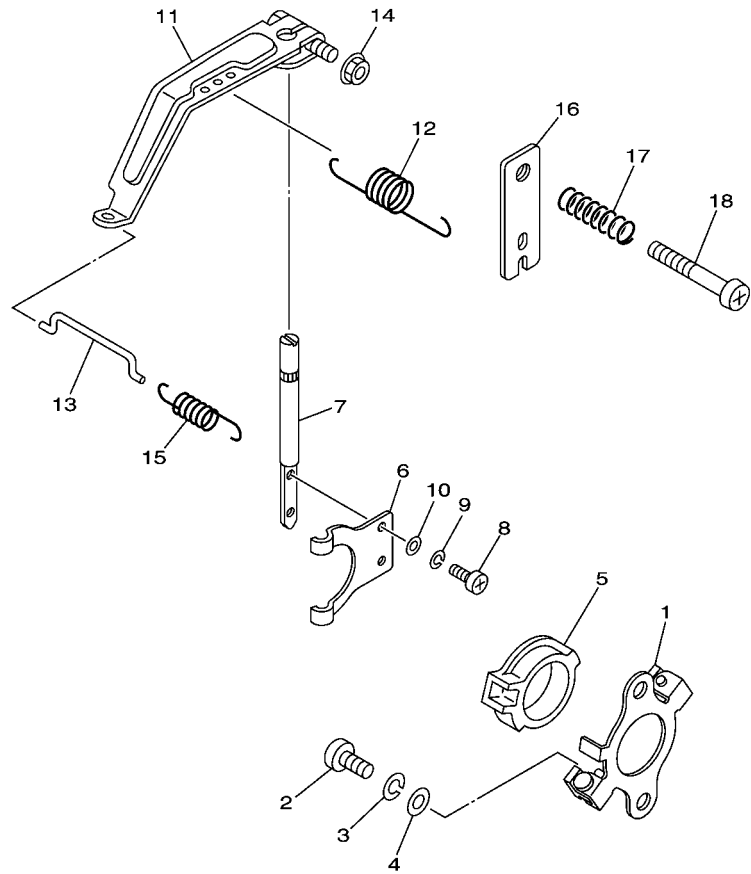
REF. NO.	PART NO.	DESCRIPTION	7L52	7L53	SAU	REMARKS
1	7L5-E1111-00	HEAD, CYLINDER 1	1	1	1	
2	7L5-E1181-00	GASKET, CYLINDER HEAD 1	1	1	1	
3	7L5-E1311-00	CYLINDER 1	1	1	1	
4	7L5-E1351-00	GASKET, CYLINDER	1	1	1	
5	7L5-RA326-00	NUT, HEX. M6	2	2	2	
6	7L5-RA175-00	BOLT, FLG. M6X104	2	2	2	
7	92902-06600	WASHER, PLATE	2	2	2	
8	7L5-E1179-00	BOLT, STUD	2	2	2	
9	7L5-E119C-00	PLUG, SPARK	1	1	1	
10	7L5-WE510-00	CRANKCASE ASSY	1	1	1	
11	7L5-RAY02-00	.PIN, 2	2	2	2	
12	7L5-RAY22-00	.BEARING, 3	2	2	2	
13	7L5-RAY12-00	.SEAL, OIL 1	2	2	2	
14	7L5-RAH01-00	.CIRCLIP, 2	1	1	1	
15	7L5-RAY13-00	SEAL, OIL 2	1	1	1	
16	7L5-RA172-00	BOLT, FLG. M6X45	4	4	4	
17	7L5-RA173-00	BOLT, FLG. M6X55	2	2	2	
18	7L5-F2891-00	INSULATOR, MOUNTING	4	4	4	

**FIG. 2 CRANKSHAFT & PISTON**



  
7L52400-M020

REF. NO.	PART NO.	DESCRIPTION	7L52	7L53	SAU	REMARKS
1	7L5-E1400-00	CRANKSHAFT ASSY	1	1	1	
2	7L5-RAY03-00	BEARING, 2	1	1	1	
3	7L5-E1631-00	PISTON (STD)	1	1	1	
4	7L5-E1611-00	RING, PISTON	1	1	1	
5	7L5-E1612-00	2ND RING, PISTON	1	1	1	
6	7L5-E1633-00	PIN, PISTON	1	1	1	
7	7L5-RAH00-00	CIRCLIP, 1	2	2	2	
-----						
-----						
-----						
-----						
-----						
-----						
-----						
-----						
-----						
-----						
-----						



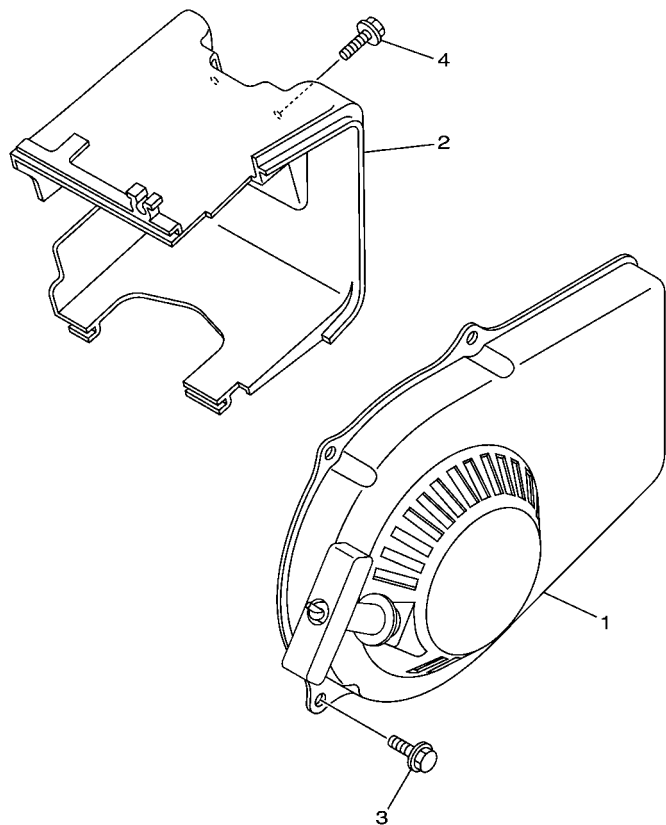
  
7L52400-M030

**FIG. 3 GOVERNOR**

REF. NO.	PART NO.	DESCRIPTION	7L52	7L53	SAU	REMARKS
1	7L5-E1910-00	WEIGHT COMP.	1	1	1	
2	98502-06012	SCREW, PAN HEAD	2	2	2	
3	92902-06100	WASHER, SPRING	2	2	2	
4	92902-06600	WASHER, PLATE	2	2	2	
5	7L5-E1917-00	COLLAR	1	1	1	
6	7L5-E1922-00	FORK, GOVERNOR	1	1	1	
7	7L5-E1921-00	SHAFT, GOVERNOR	1	1	1	
8	98502-03008	SCREW, PAN HEAD	2	2	2	
9	92902-03100	WASHER	2	2	2	
10	92902-03600	WASHER, PLATE	2	2	2	
11	7L5-E1924-00	ARM, GOVERNOR	1	1	1	
12	7L5-E1925-00	SPRING, GOVERNOR	1	1	1	
13	7L5-E1928-00	ROD, LINK	1	1	1	
14	7L5-RA329-00	NUT, FLG. M6	1	1	1	
15	7L5-RAD01-00	SPRING, TENSION 1	1	1	1	
16	7L5-E1915-00	PLATE, THRUST 1	1	1	1	
17	7L5-RAD02-00	SPRING, COMPRESSION 1	1	1	1	
18	98502-06040	SCREW, PAN HEAD	1	1	1	

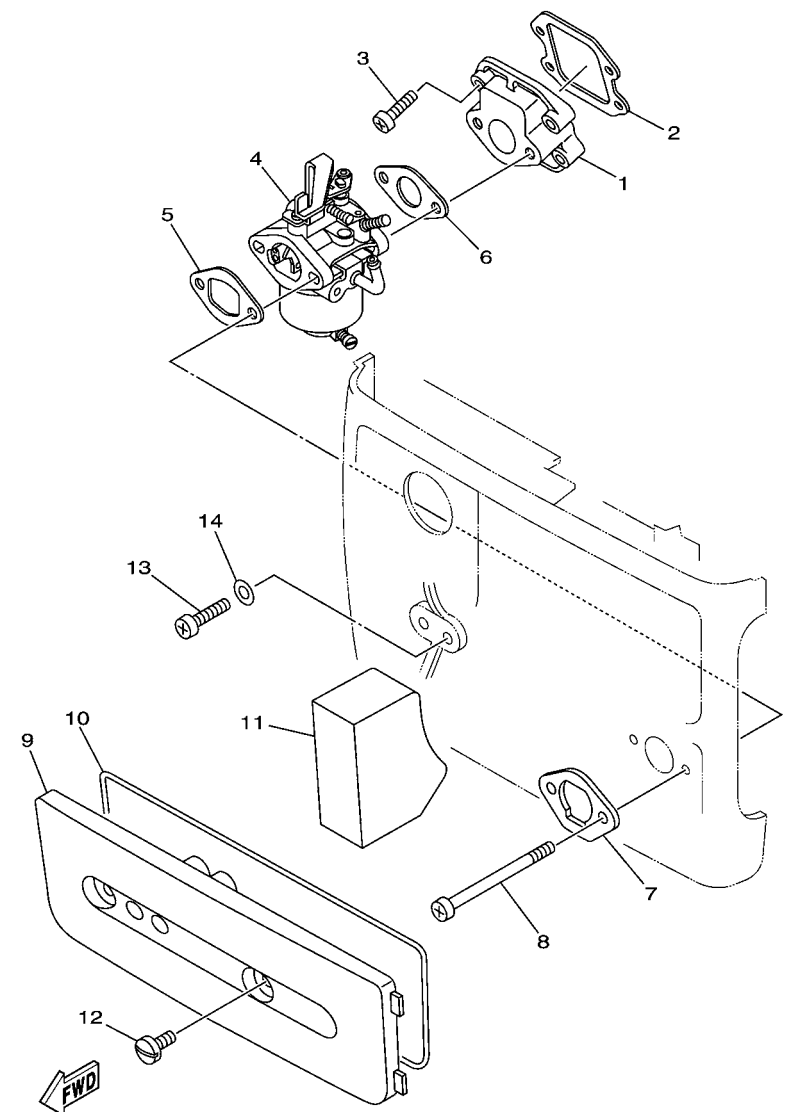


**FIG. 4 AIR SHROUD & STARTER**



  
7L52400-M040

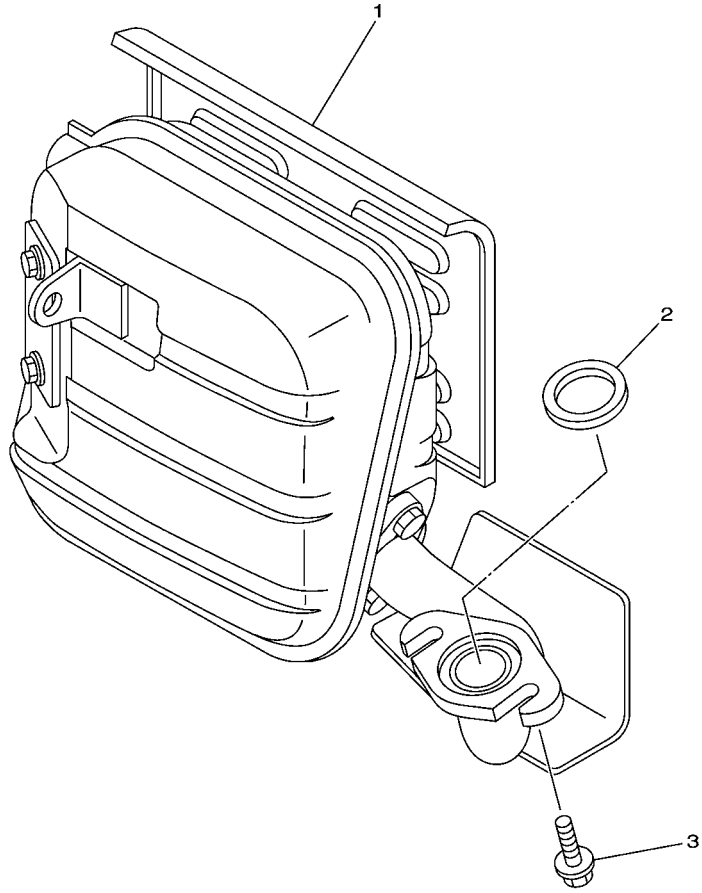
REF. NO.	PART NO.	DESCRIPTION	7L52	7L53	SAU	REMARKS
1	7L5-E2621-00	CASE, FAN	1	1	1	
2	7L5-E2651-00	AIR SHROUD, CYLINDER 1	1	1	1	
3	7L5-RA170-00	BOLT, FLG. M6X10	4	4	4	
4	7L5-RA170-00	BOLT, FLG. M6X10	2	2	2	
-----						
-----						
-----						
-----						
-----						
-----						
-----						
-----						
-----						



752400-M050

FIG. 5 INTAKE

REF. NO.	PART NO.	DESCRIPTION	7L52	7L53	SAU	REMARKS
1	7L5-E3610-00	REED VALVE ASSY	1	1	1	
2	7L5-E3621-00	GASKET, VALVE SEAT	1	1	1	
3	7L5-RA233-00	SCREW M6X18	4	4	4	
4	7L5-E4101-00	CARBURETOR ASSY 1	1	1	1	
5	7L5-E4416-00	GASKET, AIR CLEANER	1	1	1	
6	7L5-E3556-00	GASKET, MANIFOLD	1	1	1	
7	7L5-E4477-00	PLATE	1	1	1	
8	98502-06065	SCREW, PAN HEAD	2	2	2	
9	7L5-E4412-00	CAP, CLEANER CASE 1	1	1	1	
10	7L5-E4462-00	SEAL	1	1	1	
11	7L5-E4451-00	ELEMENT, AIR CLEANER	1	1	1	
12	7L5-RA229-00	SCREW	2	2	2	
13	7L5-RA233-00	SCREW M6X18	1	1	1	
14	7L5-RA431-00	WASHER, PLAIN 6	1	1	1	

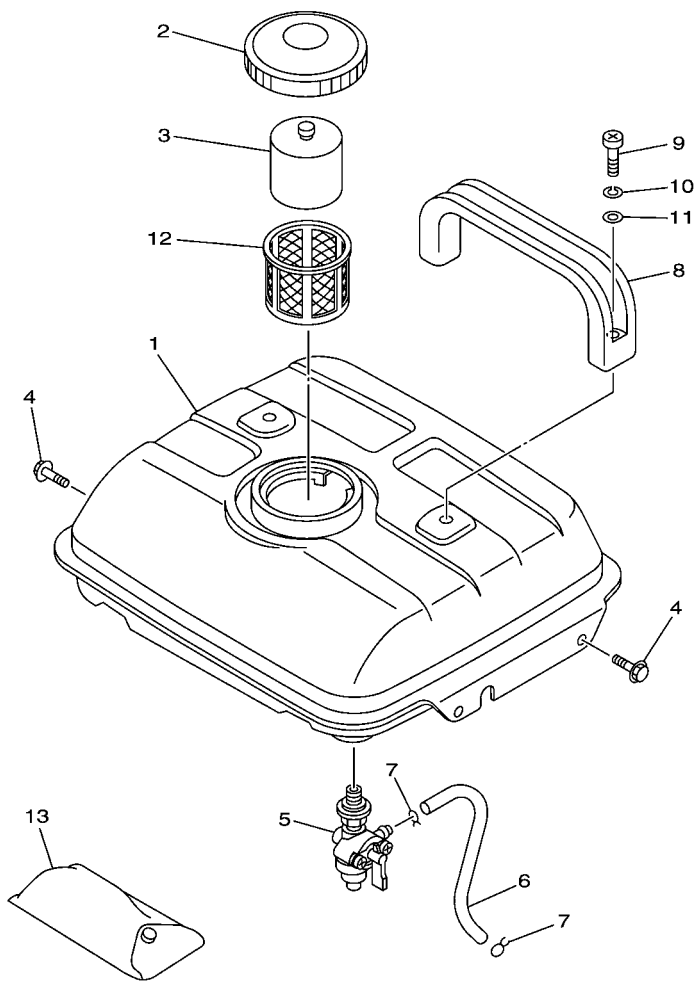


  
 7L52400-M060

**FIG. 6 EXHAUST**

REF. NO.	PART NO.	DESCRIPTION	7L52	7L53	SAU	REMARKS
			1	1	1	
1	7L5-E4710-00	MUFFLER ASSY 1	1	1	1	
2	7L5-E4613-10	GASKET, EXHAUST PIPE	1	1	1	
3	7L5-RA171-00	BOLT, FLG. M6X18	2	2	2	
-----						
-----						
-----						
-----						
-----						
-----						
-----						
-----						
-----						

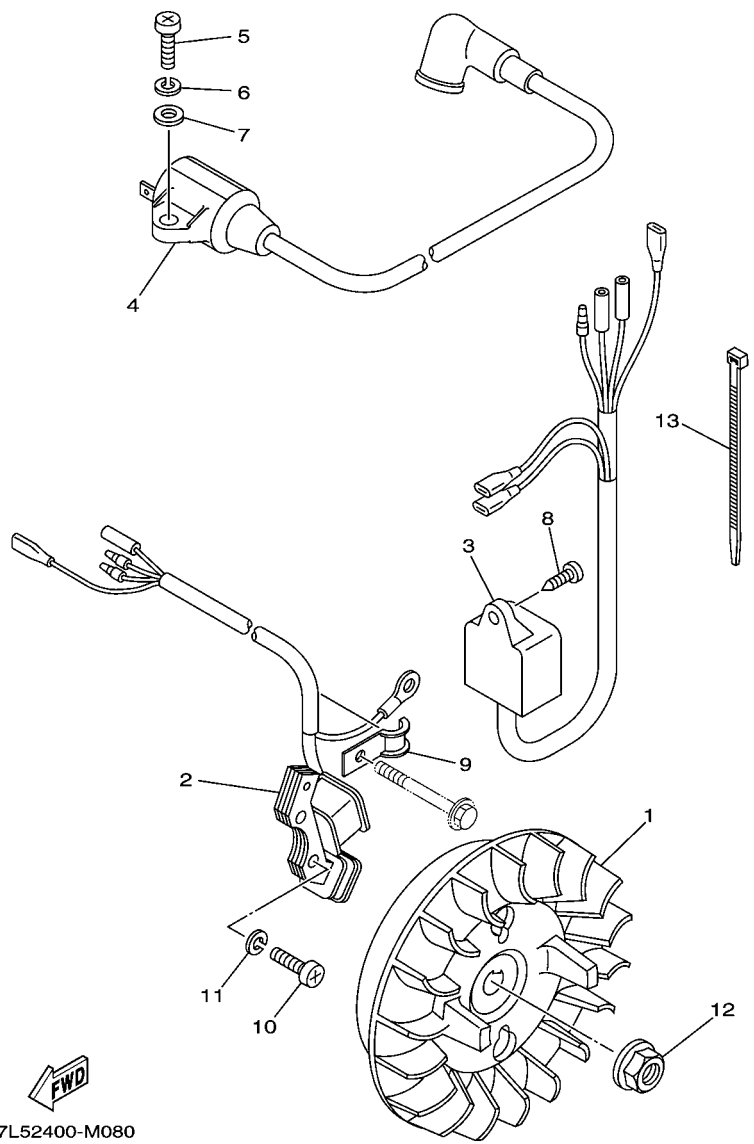
FIG. 7 FUEL TANK



7L52400-M070

REF. NO.	PART NO.	DESCRIPTION	7L52	7L53	SAU	REMARKS
			1	1	1	
1	7L5-F4110-00	FUEL TANK COMP.	1	1	1	
2	7L5-F4610-00	CAP ASSY	1	1	1	
3	7L5-F4689-00	CUP	1	1	1	
4	7L5-RA140-00	BOLT, FLG. M6X12	4	4	4	
5	7L5-F4500-00	FUEL COCK ASSY 1	1	1	1	
6	7L5-F4311-00	PIPE, FUEL 1	1	1	1	
7	7L5-RAC00-00	CLIP, 1	2	2	2	
8	7L5-F2837-00	GRIP	1	1	1	
9	98502-06035	SCREW, PAN HEAD	2	2	2	
10	92902-06100	WASHER, SPRING	2	2	2	
11	7L5-RA431-00	WASHER, PLAIN 6	2	2	2	
12	7L5-F4167-00	STRAINER	1	1	1	
13	7L5-F8100-00	TOOL KIT	1	1	1	

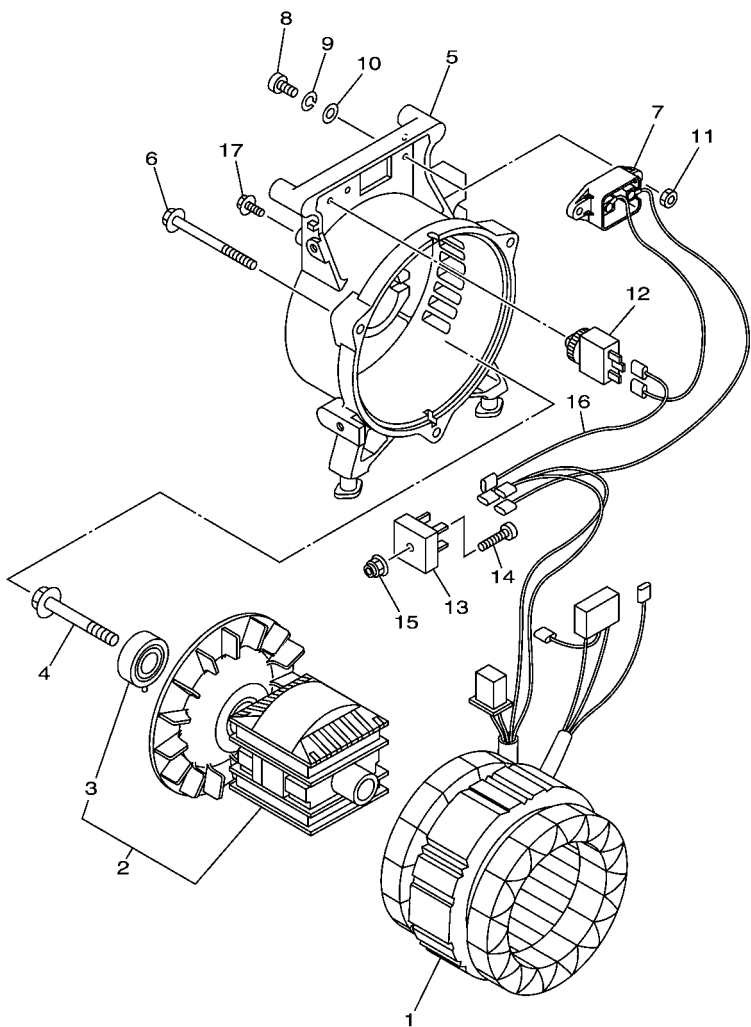
**FIG. 8 MAGNETO**



7L52400-M080

REF. NO.	PART NO.	DESCRIPTION	7L52	7L53	SAU	REMARKS
			1	1	1	
1	7L5-H5550-00	ROTOR ASSY	1	1	1	
2	7L5-H5521-00	COIL ASSY	1	1	1	
3	7L5-H5540-00	C.D.I. UNIT ASSY	1	1	1	
4	7L5-H2310-00	IGNITION COIL ASSY	1	1	1	
5	98502-06020	SCREW, PAN HEAD	1	1	1	
6	92902-06100	WASHER, SPRING	1	1	1	
7	7L5-RA431-00	WASHER, PLAIN 6	1	1	1	
8	97702-40020	SCREW, TAPPING	1	1	1	
9	7L5-RAB00-00	CLAMP, 1	1	1	1	
10	98502-06016	SCREW, PAN HEAD	2	2	2	
11	92902-06100	WASHER, SPRING	2	2	2	
12	7L5-RA334-00	NUT, FLG. M10	1	1	1	
13	7L5-H7188-00	BINDER	1	1	1	
-----						
-----						
-----						
-----						
-----						
-----						
-----						

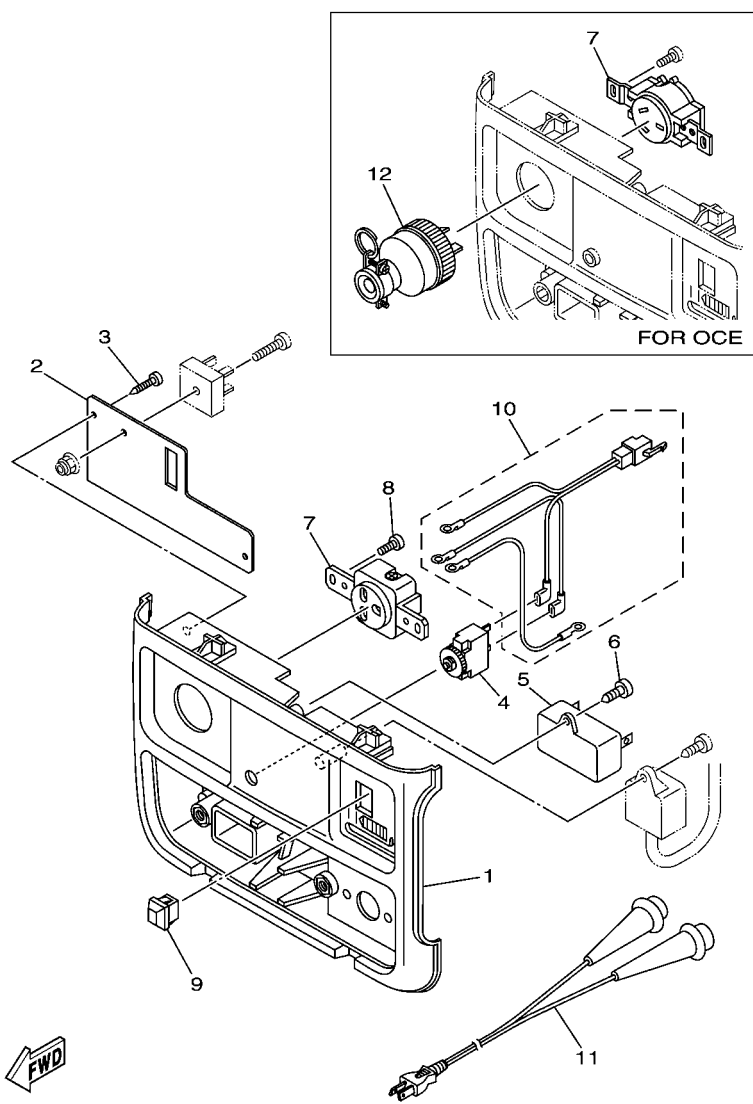
FIG. 9 GENERATOR



  
7L52400-M090

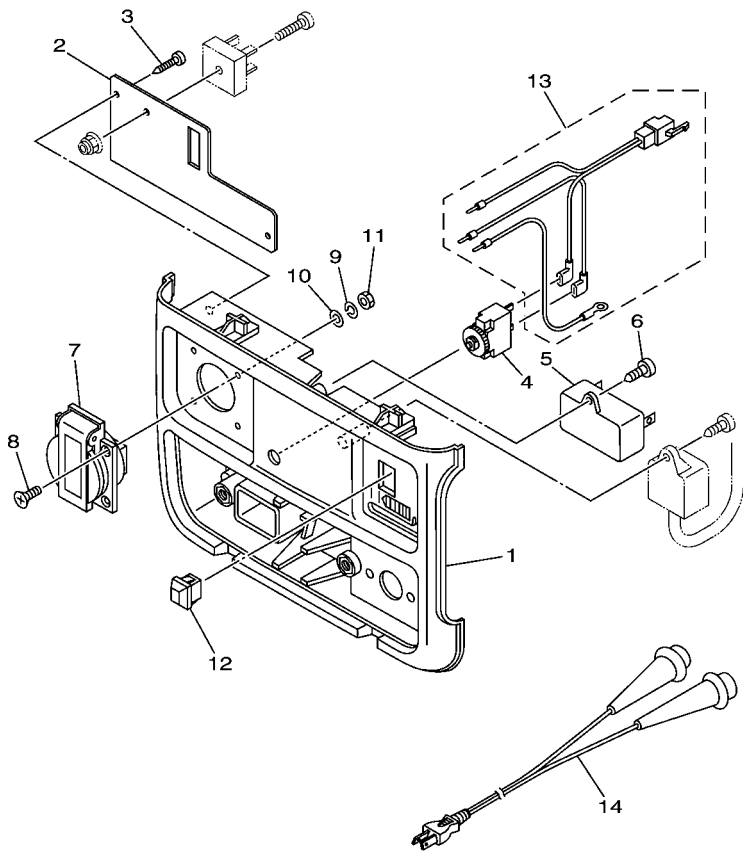
REF. NO.	PART NO.	DESCRIPTION	7L52	7L53	SAU	REMARKS
1	7L5-H7150-00	STATOR ASSY	1			
	7L5-H7150-10	STATOR ASSY		1	1	PHL/PER
	7L5-H7150-20	STATOR ASSY		1		SAE/AFR,RUS,IDN
	7L5-H7150-30	STATOR ASSY		1		OCE
2	7L5-H7160-00	ROTOR ASSY	1	1	1	
3	7L5-RAY26-00	.BEARING, 4	1	1	1	
4	7L5-RA176-00	BOLT, FLG. M8X155	1	1	1	
5	7L5-H7131-00	FRAME, REAR	1	1	1	
6	7L5-RA174-00	BOLT, FLG. M6X85	3	3	3	
7	7L5-H7239-00	RECEPTACLE COMP.	1	1	1	
8	98502-04016	SCREW, PAN HEAD	2	2	2	
9	92902-04100	WASHER, SPRING	2	2	2	
10	92902-04600	WASHER, PLATE	2	2	2	
11	95302-04600	NUT, HEXAGON	2	2	2	
12	7L5-H2181-00	CIRCUIT BREAKER COMP.	1	1	1	
13	7L5-H7105-00	RECTIFIER ASSY 1	1	1	1	
14	98502-04016	SCREW, PAN HEAD	1	1	1	
15	7L5-RA343-00	NUT, FLG. M4	1	1	1	
16	7L5-H722X-00	WIRE, LEAD 5	1	1	1	
17	7L5-RA140-00	BOLT, FLG. M6X12	1	1	1	

**FIG. 10 CONTROL BOX**



**FWD**  
7L52400-M100

REF. NO.	PART NO.	DESCRIPTION	7L52	7L53	SAU	REMARKS
1	7L5-H7211-00	BOX, CONTROL	1	1		
2	7L5-H7213-00	COVER, CONTROL BOX	1	1		
3	97702-40010	SCREW, TAPPING	2	2		
4	7L5-H2181-00	CIRCUIT BREAKER COMP.	1			
	7L5-H2181-10	CIRCUIT BREAKER COMP.		1		EXCEPT FOR OCE
	7L5-H2181-20	CIRCUIT BREAKER COMP.		1		FOR OCE
5	7L5-H7107-00	CONDENSER ASSY	1	1		
6	97702-40020	SCREW, TAPPING	1	1		
7	7L5-H7221-20	RECEPTACLE 1	1	1		EXCEPT FOR OCE
	7L5-H7221-10	RECEPTACLE 1		1		FOR OCE
8	97702-40010	SCREW, TAPPING	2	2		
9	7L5-H2550-00	ENGINE STOP SWITCH ASSY	1	1		
10	7L5-H7226-00	WIRE HARNESS ASSY	1	1		
11	7L5-H7209-00	CHARGE CORD ASSY	1	1		
12	7L5-H7236-10	PLUG, AC RECEPTACLE		1		FOR OCE

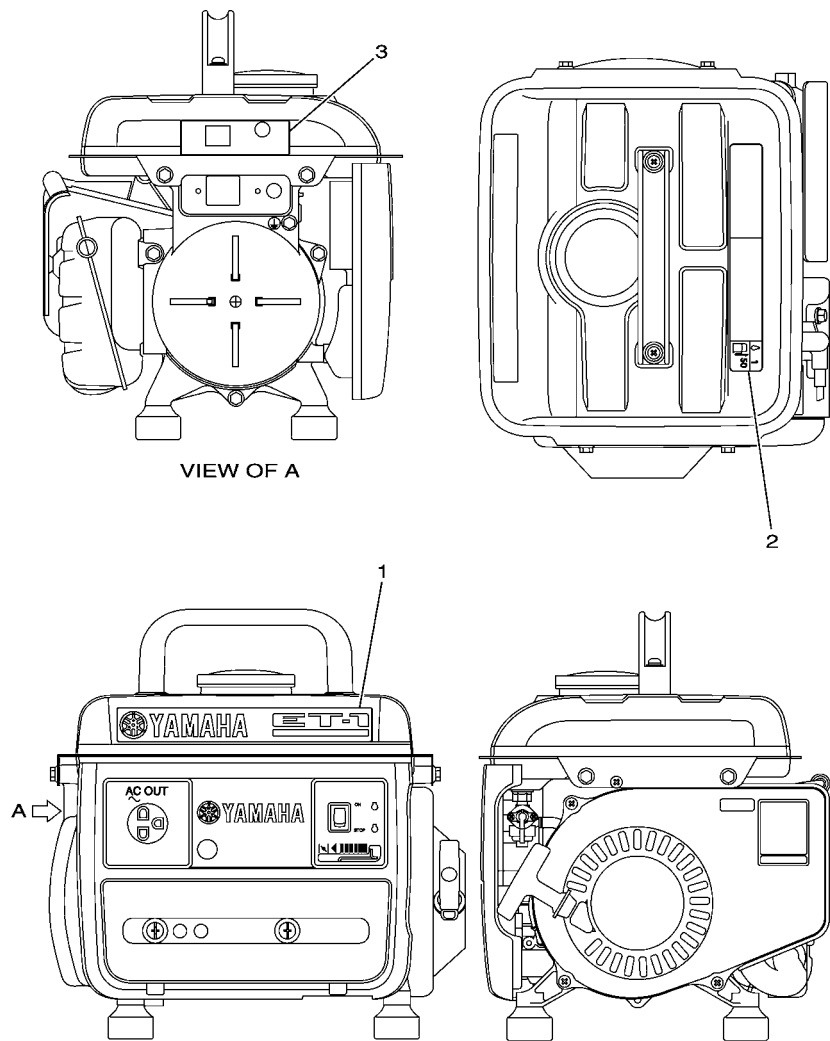


  
 7L52400-M110

**FIG. 11 CONTROL BOX 2**

REF. NO.	PART NO.	DESCRIPTION	7L52	7L53	SAU	REMARKS
1	7L5-H7211-10	BOX, CONTROL			1	
2	7L5-H7213-00	COVER, CONTROL BOX			1	
3	97702-40010	SCREW, TAPPING			2	
4	7L5-H2181-20	CIRCUIT BREAKER COMP.			1	
5	7L5-H7107-00	CONDENSER ASSY			1	
6	97702-40020	SCREW, TAPPING			1	
7	7L5-H7221-30	RECEPTACLE 1			1	
8	7L5-RA234-00	SCREW, FLAT HEAD			4	
9	92902-04100	WASHER, SPRING			4	
10	92902-04600	WASHER, PLATE			4	
11	95302-04600	NUT, HEXAGON			4	
12	7L5-H2550-00	ENGINE STOP SWITCH ASSY			1	
13	7L5-H7226-10	WIRE HARNESS ASSY			1	
14	7L5-H7209-00	CHARGE CORD ASSY			1	





7L52400-M120

FIG. 12 EMBLEM & LABEL

REF. NO.	PART NO.	DESCRIPTION	7L52	7L53	SAU	REMARKS
1	7L5-F4161-00	EMBLEM 1	1	1	1	EXCEPT FOR IDN
	7L5-F4161-10	EMBLEM 1		1		FOR IND
2	7L5-F4162-00	EMBLEM 2	1	1	1	EXCEPT FOR RUS
	7L5-F4162-10	EMBLEM 2		1		FOR RUS
3	7L5-F41A1-00	EMBLEM, 5	1	1	1	
<hr/>						
<hr/>						
<hr/>						
<hr/>						
<hr/>						
<hr/>						
<hr/>						
<hr/>						
<hr/>						

NUMERICAL INDEX

PART NO.	REF. NO.	PART NO.	REF. NO.	PART NO.	REF. NO.	PART NO.	REF. NO.	PART NO.	REF. NO.	PART NO.	REF. NO.
7L5-E1111-00	1 - 1	7L5-H2181-10	10 - 4	7L5-RA329-00	3 - 14						
7L5-E1179-00	1 - 8	7L5-H2181-20	10 - 4	7L5-RA334-00	8 - 12						
7L5-E1181-00	1 - 2		11 - 4	7L5-RA343-00	9 - 15						
7L5-E119C-00	1 - 9	7L5-H2310-00	8 - 4	7L5-RA431-00	5 - 14						
7L5-E1311-00	1 - 3	7L5-H2550-00	10 - 9		7 - 11						
7L5-E1351-00	1 - 4		11 - 12		8 - 7						
7L5-E1400-00	2 - 1	7L5-H5521-00	8 - 2	7L5-RAB00-00	8 - 9						
7L5-E1611-00	2 - 4	7L5-H5540-00	8 - 3	7L5-RAC00-00	7 - 7						
7L5-E1612-00	2 - 5	7L5-H5550-00	8 - 1	7L5-RAD01-00	3 - 15						
7L5-E1631-00	2 - 3	7L5-H7105-00	9 - 13	7L5-RAD02-00	3 - 17						
7L5-E1633-00	2 - 6	7L5-H7107-00	10 - 5	7L5-RAH00-00	2 - 7						
7L5-E1910-00	3 - 1		11 - 5	7L5-RAH01-00	1 - 14						
7L5-E1915-00	3 - 16	7L5-H7131-00	9 - 5	7L5-RAY02-00	1 - 11						
7L5-E1917-00	3 - 5	7L5-H7150-00	9 - 1	7L5-RAY03-00	2 - 2						
7L5-E1921-00	3 - 7	7L5-H7150-10	9 - 1	7L5-RAY12-00	1 - 13						
7L5-E1922-00	3 - 6	7L5-H7150-20	9 - 1	7L5-RAY13-00	1 - 15						
7L5-E1924-00	3 - 11	7L5-H7150-30	9 - 1	7L5-RAY22-00	1 - 12						
7L5-E1925-00	3 - 12	7L5-H7160-00	9 - 2	7L5-RAY26-00	9 - 3						
7L5-E1928-00	3 - 13	7L5-H7188-00	8 - 13	7L5-WE510-00	1 - 10						
7L5-E2621-00	4 - 1	7L5-H7209-00	10 - 11	92902-03100	3 - 9						
7L5-E2651-00	4 - 2		11 - 14	92902-03600	3 - 10						
7L5-E3556-00	5 - 6	7L5-H7211-00	10 - 1	92902-04100	9 - 9						
7L5-E3610-00	5 - 1	7L5-H7211-10	11 - 1		11 - 9						
7L5-E3621-00	5 - 2	7L5-H7213-00	10 - 2	92902-04600	9 - 10						
7L5-E4101-00	5 - 4		11 - 2		11 - 10						
7L5-E4412-00	5 - 9	7L5-H7221-10	10 - 7	92902-06100	3 - 3						
7L5-E4416-00	5 - 5	7L5-H7221-20	10 - 7		7 - 10						
7L5-E4451-00	5 - 11	7L5-H7221-30	11 - 7		8 - 6						
7L5-E4462-00	5 - 10	7L5-H7226-00	10 - 10		8 - 11						
7L5-E4477-00	5 - 7	7L5-H7226-10	11 - 13	92902-06600	1 - 7						
7L5-E4613-10	6 - 2	7L5-H722X-00	9 - 16		3 - 4						
7L5-E4710-00	6 - 1	7L5-H7236-10	10 - 12	95302-04600	9 - 11						
7L5-F2837-00	7 - 8	7L5-H7239-00	9 - 7		11 - 11						
7L5-F2891-00	1 - 18	7L5-RA140-00	7 - 4	97702-40010	10 - 3						
7L5-F4110-00	7 - 1		9 - 17		10 - 8						
7L5-F4161-00	12 - 1	7L5-RA170-00	4 - 3		11 - 3						
7L5-F4161-10	12 - 1		4 - 4	97702-40020	8 - 8						
7L5-F4162-00	12 - 2	7L5-RA171-00	6 - 3		10 - 6						
7L5-F4162-10	12 - 2	7L5-RA172-00	1 - 16		11 - 6						
7L5-F4167-00	7 - 12	7L5-RA173-00	1 - 17	98502-03008	3 - 8						
7L5-F41A1-00	12 - 3	7L5-RA174-00	9 - 6	98502-04016	9 - 8						
7L5-F4311-00	7 - 6	7L5-RA175-00	1 - 6		9 - 14						
7L5-F4500-00	7 - 5	7L5-RA176-00	9 - 4	98502-06012	3 - 2						
7L5-F4610-00	7 - 2	7L5-RA229-00	5 - 12	98502-06016	8 - 10						
7L5-F4689-00	7 - 3	7L5-RA233-00	5 - 3	98502-06020	8 - 5						
7L5-F8100-00	7 - 13		5 - 13	98502-06035	7 - 9						
7L5-H2181-00	9 - 12	7L5-RA234-00	11 - 8	98502-06040	3 - 18						
	10 - 4	7L5-RA326-00	1 - 5	98502-06065	5 - 8						