



# PARTS CATALOGUE

## EDL11000SE (Q9CP) SEA, AFR

---



1L9CP-400E1

( )

EDL11000SE  
PARTS CATALOGUE  
©2013 by Yamaha Motor Co., Ltd.  
1st edition, October 2013  
All rights reserved.  
Any reprinting or unauthorized use  
without the written permission of  
Yamaha Motor Co., Ltd.  
is expressly prohibited.  
Printed in Japan.

# FOREWORD

This Parts Catalogue is related to the parts for the model(s) on the cover page. When you are ordering replacement parts, please refer to this Parts Catalogue and quote both part numbers and part names correctly.

1. Modifications or additions which have been made after the issue of the Parts Catalogue will be announced in the Parts News.

It is advisable that you make the necessary corrections to the Parts Catalogue according to the Parts News.

2. Abbreviations

The following abbreviations are used in this Parts Catalogue.

“UR” Use specified parts number.

“UN” Use as many as needed.

“AP” Alternate Parts

“LM” Locally Made (Parts need to be ordered locally)

“F#” Frame No. (Applicable machine No.)

“O/S” Over Size

3. The number of components for assembly

- Parts, which are to be supplied in an assembly, are listed with a dot (.) in front of the part name as shown below.
- The numeral appearing to the right of each component part indicates the quantity of parts for each assembly unit.

PART NO.	DESCRIPTION	Q'TY	REMARKS
2F5-83310-60	FRONT FLASHER LIGHT ASSY	2	
115-83311-60	.BULB (6V-18W)	1	

4. Applicable colours of graphics are represented in the “REMARKS” as shown below.

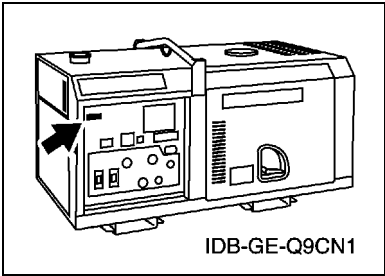
PART NO.	DESCRIPTION	Q'TY	REMARKS
2N4-24110-00-X5	FUEL TANK COMP.	2	MXR
3J1-24240-10	.GRAPHIC, FUEL TANK	1	FOR MXR

5. Note that the illustrations for reference in finding parts numbers are not to be used for assembling. When assembling, please use the applicable service manual.

6. The asterisk (\*) before a reference number indicates modified items after the first edition.

# FOREWORD

7. Applicable Serial No.  
 Frame Serial No.



8. Applicable Colour Code (The (\*) mark shows Model colour.)

Abbreviation	Colour Name	Colour Code

9. Applicable Starting Serial No.  
 \*\*\*\*\*Serial NO.

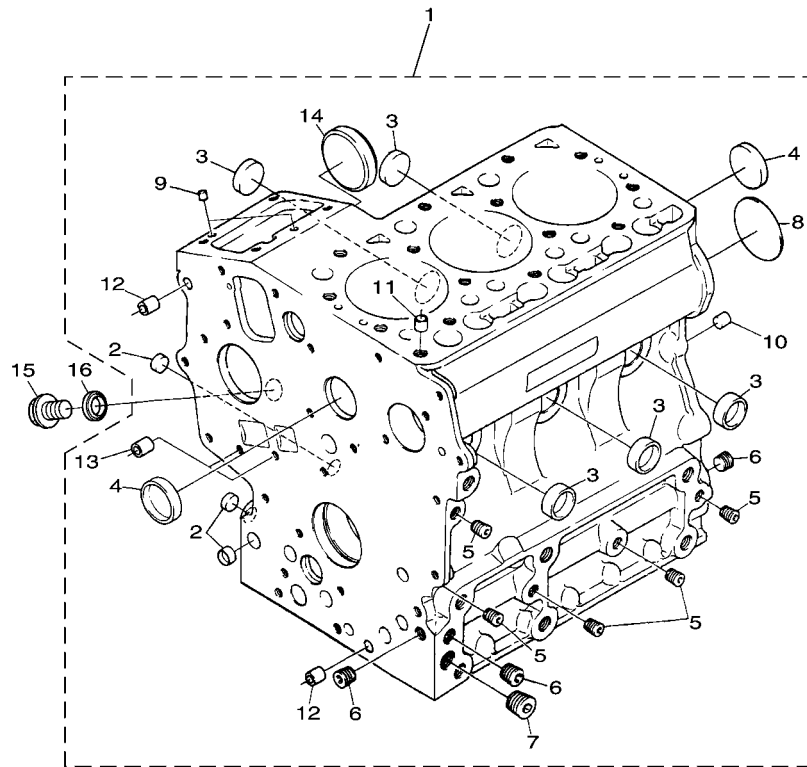
Model	Model Code	Destination	Voltage	Serial NO.
EDL11000SE	Q9CP	SEA, AFR	220V-50Hz	Q9CP-0040101

# CONTENTS

CRANKCASE .....	1
OIL PAN .....	2
CYLINDER HEAD .....	3
CRANKCASE COVER .....	4
CYLINDER HEAD COVER .....	6
OIL CLEANER .....	7
CRANKSHAFT & PISTON .....	8
CAMSHAFT & IDLE GEAR .....	10
FLYWHEEL HOUSING .....	12
GOVERNOR 1 .....	13
GOVERNOR 2 .....	14
FUEL INJECTION PUMP .....	15
THROTTLE LEVER .....	16
NOZZLE HOLDER ASSY .....	17
GOVERNOR .....	20
FUEL TANK .....	21
FUEL PUMP .....	22
STARTER .....	23
COOLING .....	25
WATER PUMP .....	26
RADIATOR & HOSE .....	27
COOLING PIPE .....	29
COOLING SYSTEM .....	30
RESERVE TANK .....	31
INTAKE MANIFOLD .....	32
EXHAUST 1 .....	33
AIR CLEANER .....	34
EXHAUST 2 .....	35
OIL DRAIN PIPING .....	36
GENERATOR .....	37
CONTROL BOX 1 .....	39
CONTROL BOX 2 .....	42
BATTERY TRAY .....	43
PANEL BODY .....	44
FRAME 1 .....	45
FRAME 2 .....	46
FRAME 3 .....	47
FRAME 4 .....	48
FRAME 5 .....	49
LABELS .....	50

## INDEX

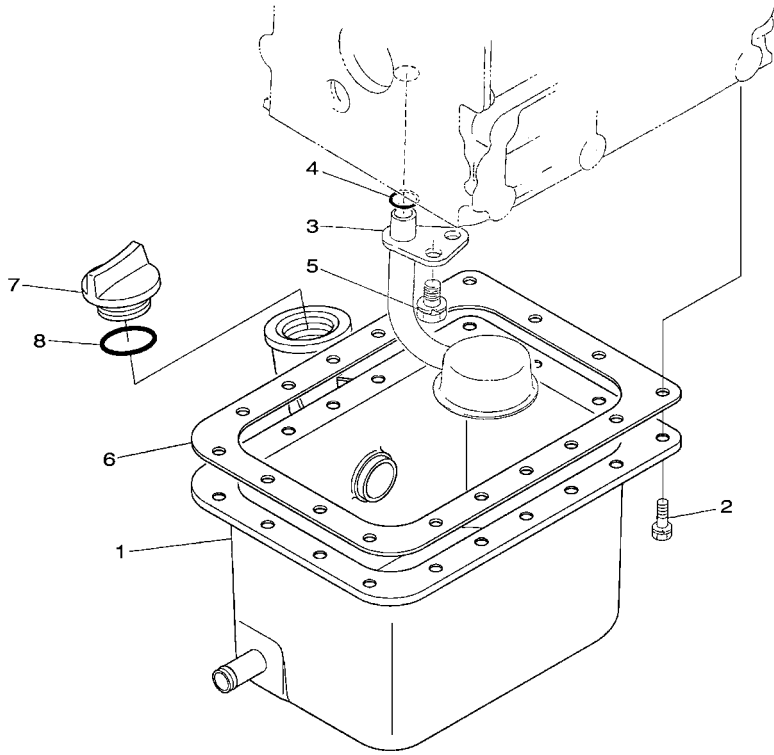
NUMERICAL INDEX .....	51
-----------------------	----



  
 Q9CP110-L010

**FIG. 1 CRANKCASE**

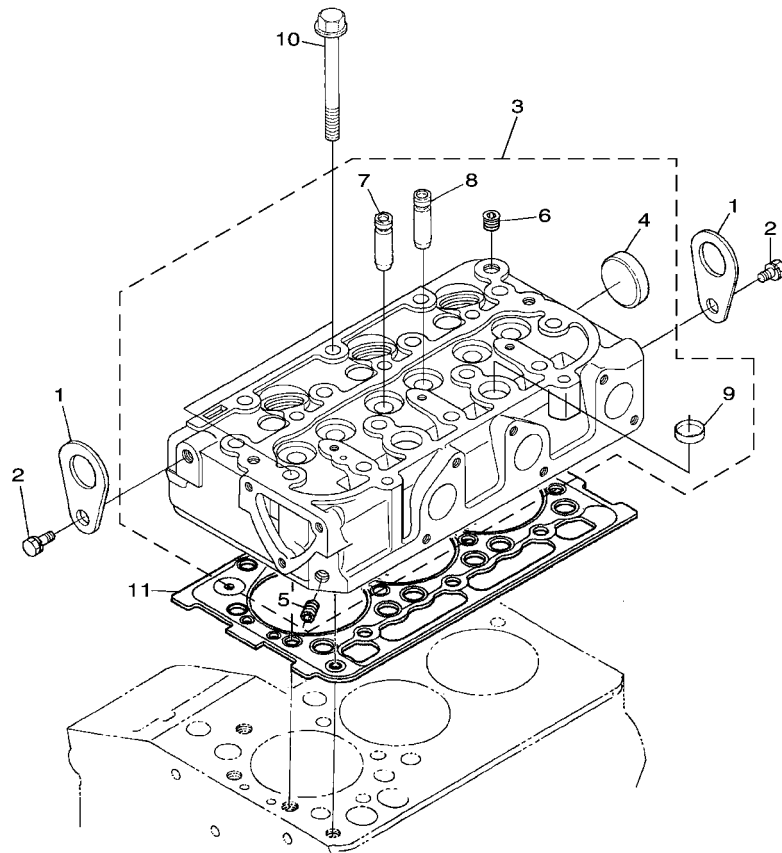
REF. NO.	PART NO.	DESCRIPTION	Q9CP				REMARKS
1	YF1-68730-10-23	COMP.CRANKCASE	1				
2	YF1-68519-62-60	.PLUG,EXPANSION 1	3				
3	YF1-68519-62-70	.PLUG,EXPANSION 2	5				
4	YF1-54519-62-70	.PLUG,EXPANSION	2				
5	YF1-52619-60-10	.PLUG	5				
6	YF1-55219-60-20	.PLUG	3				
7	YF1-55219-60-30	.PLUG	1				
8	YF1-52619-61-60	.PLUG	1				
9	YF0-50120-05-08	.PIN	2				
10	YF0-50120-08-14	.PIN	2				
11	YF1-52213-36-50	.PIN,PIPE	1				
12	YF1-73315-91-90	.PIN,PIPE	2				
13	YF1-73315-91-90	.PIN,PIPE	2				
14	YF1-68511-62-12	.COVER,FUEL CAM SHAFT	1				
15	YF0-63115-50-20	PLUG	1				
16	YF0-47170-13-20	WASHER,SEAL	1				



  
 Q9CP110-L020

**FIG. 2 OIL PAN**

REF. NO.	PART NO.	DESCRIPTION	Q9CP				REMARKS
1	YF1-G2920-15	COMP.OIL PAN	1				
2	YF0-10235-06-14	BOLT	18				
3	YF1-68513-21-10	OIL FILTER 1	1				
4	YF0-48140-01-60	O-RING	1				
5	YF0-11235-08-14	BOLT,WITH WASHER	1				
6	YF1-74850-16-20	GASKET,OIL PAN	1				
7	YFE-91513-31-40	PLUG	1				
8	YF0-48145-03	O-RING	1				



**FIG. 3 CYLINDER HEAD**

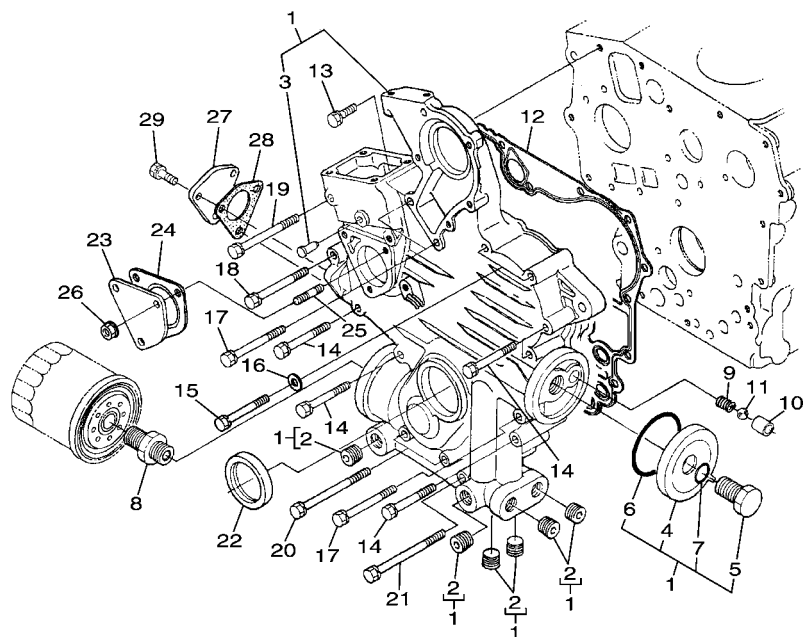
REF. NO.	PART NO.	DESCRIPTION	Q9CP				REMARKS
1	YF1-52210-17-50	HOOK,ENGINE	2				
2	YF0-11235-08-16	BOLT	2				
3	YF1-G6860-30-43	COMP.CYLINDER HEAD	1				
4	YF1-53219-62-60	.PLUG,EXPANSION	1				
5	YF1-52619-60-10	.PLUG	1				
6	YF1-G0909-60-10	.PLUG	1				
7	YF1-58411-35-40	.GUIDE,INLET VALVE	3				
8	YF1-58411-35-60	.GUIDE,EXHAUST VALVE	3				
9	YF1-52610-33-70	.PLUG,EXPANSION	2				
10	YF1-46010-34-50	BOLT,HEAD	14				
11	YF1-68710-33-13	GASKET,CYLINDER HEAD	1				



Q9CP110-L030



FIG. 4 CRANKCASE COVER

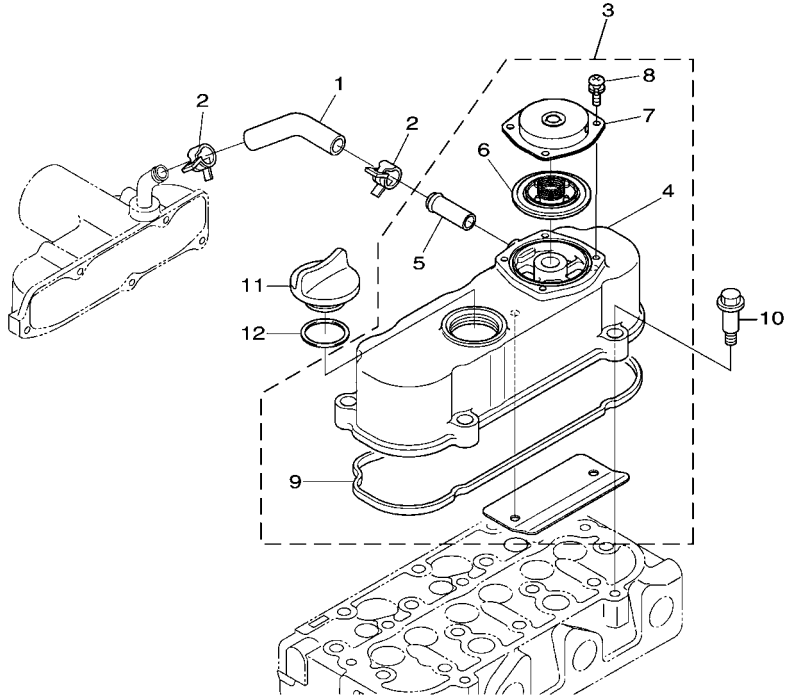


**FWD**  
Q9CP110-L040

REF. NO.	PART NO.	DESCRIPTION	Q9CP				REMARKS
1	YF1-75290-40-25	GEAR CASE COMP.	1				
2	YF1-55219-60-30	.PLUG	8				
3	YF1-58415-62-80	.PIN,START SPRING	1				
4	YF1-G6393-28-80	.COVER	1				
5	YF1-62593-29	.BOLT	1				
6	YF0-48145-06	.O-RING	1				
7	YF0-48140-01-50	.O-RING	1				
8	YF1-52413-22-90	NIPPLE	1				
9	YF1-68513-69-50	SPRING	1				
10	YF1-58413-69-30	SEAT,VALVE	1				
11	YF0-77150-32-11	BALL	1				
12	YF1-68710-41-30	GASKET,GEAR CASE	1				
13	YF0-10235-06-18	BOLT	1				
14	YF0-10235-06-50	BOLT	5				
15	YF0-10235-06-55	BOLT	2				
16	YF0-40135-00-60	WASHER,PLATE	2				
17	YF1-58419-10-10	BOLT	3				
18	YF0-10235-06-60	BOLT	1				
19	YF0-10235-06-70	BOLT	1				
20	YF0-10235-06-80	BOLT	2				
21	YF1-75639-10-10	BOLT	1				
22	YF1-58770-41-40	OIL SEAL	1				
23	YF1-94618-33-40	COVER	1				
24	YF1-94618-81-32	PACKING	1				
25	YF1-52218-82-10	STUD	3				
26	YF0-27515-00-60	NUT,FLANGE	3				
27	YF1-96829-80-62	COVER	1				



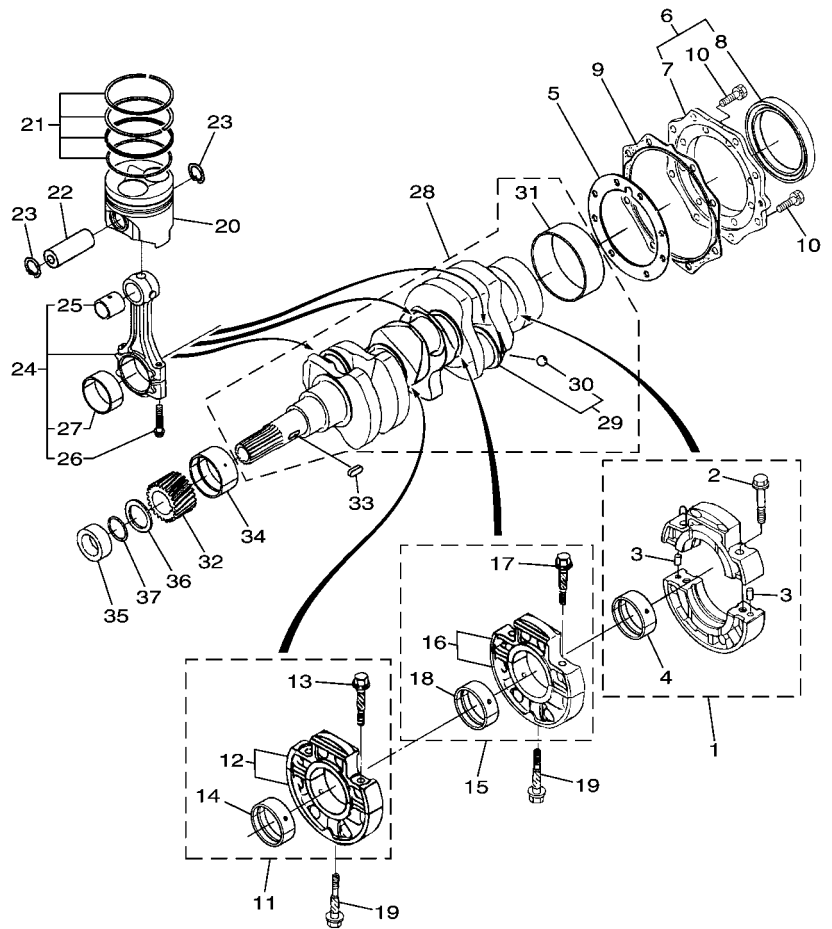
FIG. 5 CYLINDER HEAD COVER



REF. NO.	PART NO.	DESCRIPTION	Q9CP				REMARKS
1	YF1-G9580-55-13	TUBE (BREATHER)	1				
2	YF0-93188-81-25	CLAMP,HOSE	2				
3	YF1-G9581-45-04	HEAD COVER ASSY	1				
4	YF1-G9581-45-12	.COVER,HEAD	1				
5	YF1-62417-33-70	.PIPE,WATER RETURN	1				
6	YF1-G9110-52-03	.BREATHER VALVE COMP.	1				
7	YF1-G8010-51-20	.COVER,BREATHER	1				
8	YF0-30245-05-10	.SCREW,WITH WASHER	4				
9	YF1-G9581-45-20	.GASKET,HEAD COVER	1				
10	YF1-G9119-10-22	BOLT	4				
11	YFE-91513-31-40	PLUG	1				
12	YF1-J0019-67-70	O RING	1				

  
Q9CP110-L050

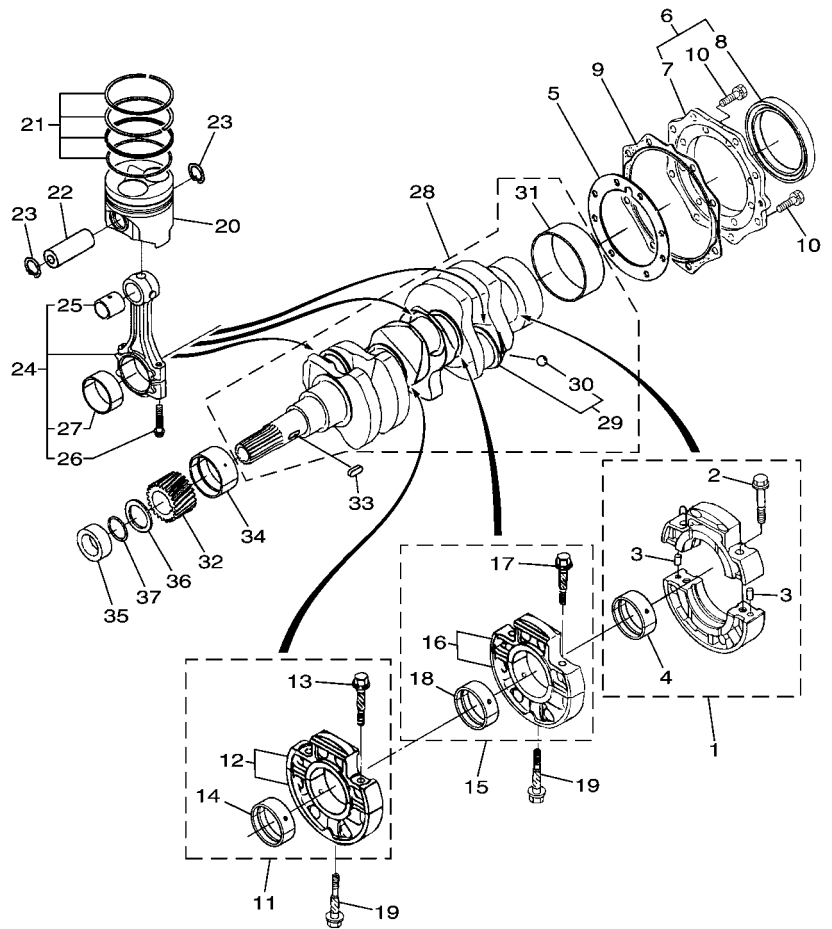




  
 Q9CP110-L070

**FIG. 7 CRANKSHAFT & PISTON**

REF. NO.	PART NO.	DESCRIPTION	Q9CP			REMARKS
1	YF1-J0020-70-90	WHEEL BEARING CASE ASSY	1			
2	YF0-17545-08-40	.BOLT, FLANGE	2			
3	YF0-50120-06-08	.PIN, STRAIGHT	2			
4	YF1-56942-34-82	.METAL,CRANKSHAFT (STD)	1			
	YF1-56942-39-32	.METAL,CRANKSHAFT (0.20MM U/S)	1			AP
	YF1-56942-39-42	.METAL,CRANKSHAFT (0.40MM U/S)	1			AP
5	YF1-58520-43-60	.PACKING,BEARING CASE	1			
6	YF1-58410-48-03	BEARING COVER ASSY	1			
7	YF1-58410-48-15	COVER,BEARING CASE	1			
8	YF1-92159-91-60	.OIL SEAL	1			
9	YF1-58410-48-23	GASKET,CASE COVER	1			
10	YF0-10235-06-22	BOLT	16			
11	YF1-26910-70-44	BEARING CASE ASSY	1			
12	YF1-68510-40-40	.MAIN BEARING CASE ASSY	1			
13	YF1-58410-45-40	.BOLT,BEARING CASE 1	2			
14	YF1-58612-34-84	.METAL,CRANKSHAFT (STD)	2			
	YF1-58612-38-63	.METAL,CRANKSHAFT (0.20MM U/S)	1			AP
	YF1-58612-38-73	.METAL,CRANKSHAFT (0.40MM U/S)	1			AP
15	YF1-68610-70-54	ASSY BRG CASE	1			
16	YF1-68610-40-50	.MAIN BEARING CASE ASSY	1			
17	YF1-58410-45-40	.BOLT,BEARING CASE 1	2			
18	YF1-58612-34-84	.METAL,CRANKSHAFT (STD)	2			
	YF1-58612-38-63	.METAL,CRANKSHAFT (0.20MM U/S)	1			AP
	YF1-58612-38-73	.METAL,CRANKSHAFT (0.40MM U/S)	1			AP
19	YF1-58410-45-62	BOLT,BEARING CASE 2	2			
20	YF1-68512-11-14	PISTON (STD)	3			
	YF1-68512-19-03	PISTON (0.25MM O/S)	3			AP



  
 Q9CP110-L070

**FIG. 7 CRANKSHAFT & PISTON**

REF. NO.	PART NO.	DESCRIPTION	Q9CP				REMARKS
21	YF1-68532-10-50	PISTON RING ASSY (STD)	3				
	YF1-68532-10-90	PISTON RING ASSY(0.25MM O/S)	3				AP
22	YF1-68712-13-10	PIN,PISTON	3				
23	YF1-52612-13-30	CIRCLIP,PISTON PIN	6				
24	YF1-G6872-20-10	CONNECTING ROD ASSY	3				
25	YF1-68512-19-82	.BUSHING, PISTON PIN	1				
26	YF1-68512-21-40	.BOLT,CONNECTING ROD	2				
27	YF1-58612-23-14	.METAL,CRANKPIN (STD)	1				
	YF1-58612-29-73	.METAL,CRANKPIN (0.20MM U/S)	1				AP
	YF1-58612-29-83	.METAL,CRANKPIN (0.40MM U/S)	1				AP
28	YF1-68632-30-32	ASSY CRANKSHAFT	1				
29	YF1-68612-30-12	.COMP.CRANKSHAFT	1				
30	YF0-77150-32-07	..BALL	3				
31	YF1-92152-32-80	.SLEEVE,CRANK SHAFT	1				
32	YF1-58412-41-10	GEAR,CRANK	1				
33	YF0-57120-05-15	KEY	1				
34	YF1-58612-34-74	METAL,CRANKSHAFT (STD)	1				
	YF1-58612-39-13	METAL,CRANKSHAFT (0.20MM U/S)	1				AP
	YF1-58612-39-23	METAL,CRANKSHAFT (0.40MM U/S)	1				AP
35	YF1-58412-32-50	COLLAR,CRANKSHAFT	1				
36	YF1-58812-33-10	OIL SLINGER,CRANKSAFT	1				
37	YF0-48141-62-20	O-RING	1				

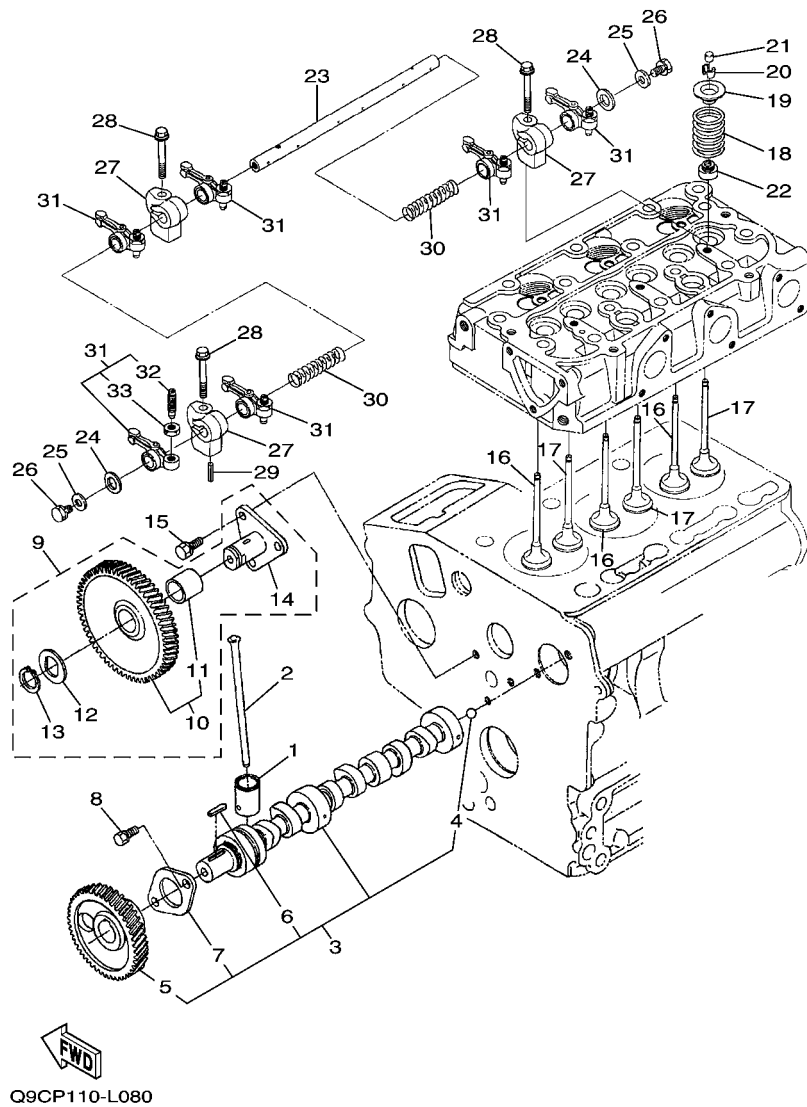
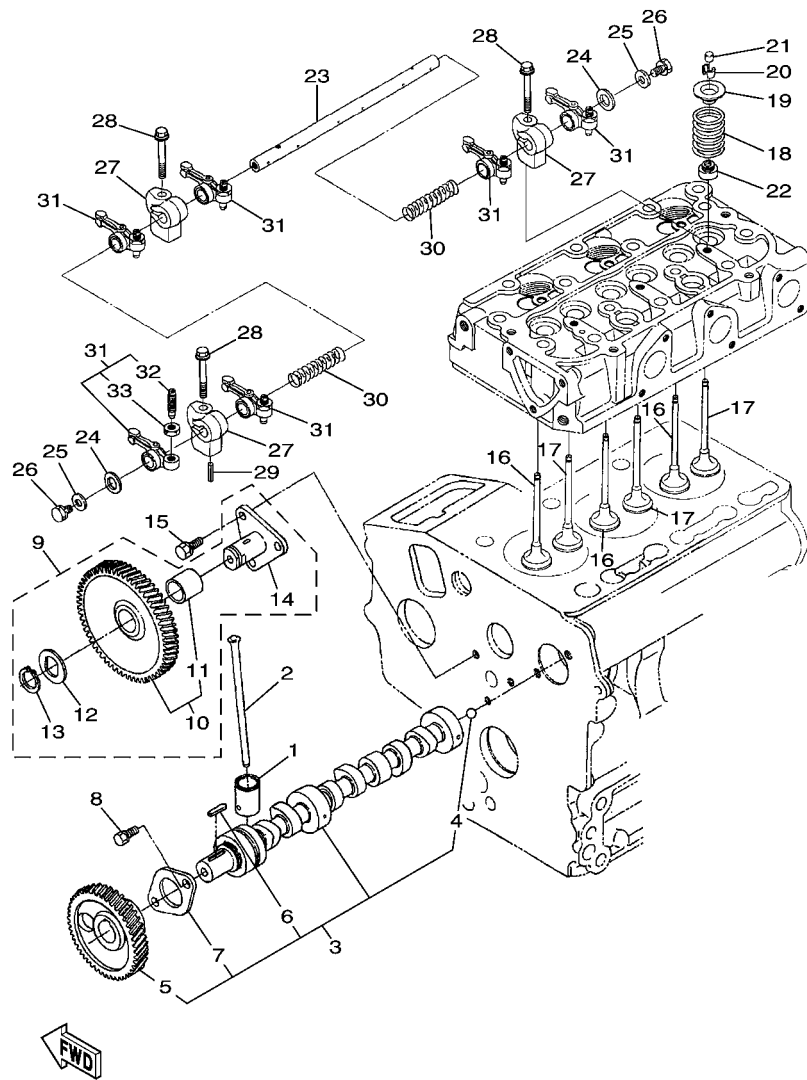


FIG. 8 CAMSHAFT & IDLE GEAR

REF. NO.	PART NO.	DESCRIPTION	Q9CP				REMARKS
1	YF1-68511-55-52	TAPPET	6				
2	YF1-68511-51-10	PUSH ROD	6				
3	YF1-68641-60-15	ASSY CAMSHAFT	1				
4	YF0-77150-04-01	.BALL	1				
5	YF1-68641-65-10	.GEAR,CAM	1				
6	YF0-57120-05-18	.KEY	1				
7	YF1-58411-62-70	.STOPPER,CAM SHAFT	1				
8	YF0-10235-06-12	BOLT	2				
9	YF1-58759-93-42	ASSY GEAR,IDLE SER/V	1				
10	YF1-58752-40-15	.IDLE GEAR COMP.	1				
11	YF1-58752-42-84	..BUSH	1				
12	YF1-58752-43-70	.COLLAR,IDLE GEAR 2	1				
13	YF1-58752-43-20	.RING SET,IDLE GEAR	1				
14	YF1-58752-42-50	.SHAFT,IDLE GEAR	1				
15	YF0-10235-06-14	BOLT	3				
16	YF1-G6861-31-10	VALVE,INLET	3				
17	YF1-G6861-31-20	VALVE,EXHAUST	3				
18	YF1-46011-32-40	SPRING,VALVE	6				
19	YF1-46011-33-30	RETAINER VALVE SPRING	6				
20	YF1-46011-33-60	LOCK,VALVE	6				SET
21	YF1-68511-32-80	CAP,VALVE	6				
22	YF1-14201-31-50	SEAL,VALVE STEM	6				
23	YF1-58611-42-64	SHAFT,ROCKER ARM	1				
24	YF1-68711-44-30	WASHER,ROCKER ARM SHAFT	2				
25	YF1-58419-40-22	WASHER,PLATE	2				
26	YF0-10235-06-10	BOLT	2				
27	YF1-G9581-43-50	BRACKET,ROCKER ARM	3				



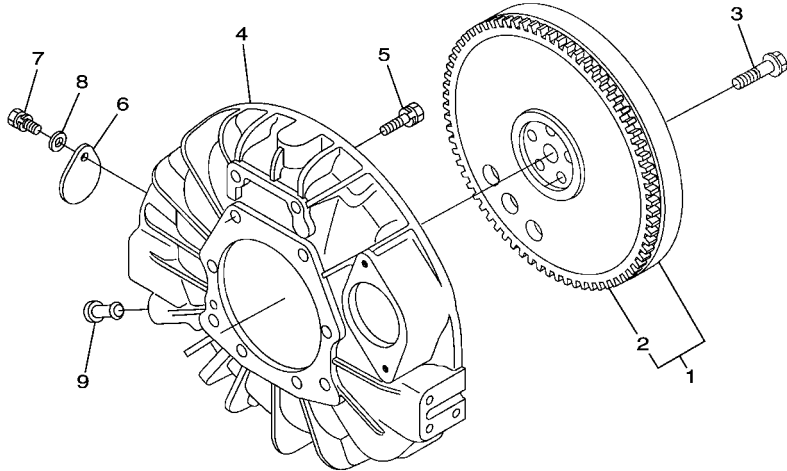
Q9CP110-L080

FIG. 8 CAMSHAFT & IDLE GEAR

REF. NO.	PART NO.	DESCRIPTION	Q9CP				REMARKS
28	YF0-17545-06-40	BOLT,FLANGE	3				
29	YF0-54110-04-20	PIN,SPRING	1				
30	YF1-46011-43-12	SPRING,ROCKER ARM	2				
31	YF1-58411-40-36	ROCKER ARM ASSY	6				
32	YF1-58411-42-30	.SCREW,ADJUSTING	1				
33	YF1-46011-42-40	.NUT	1				

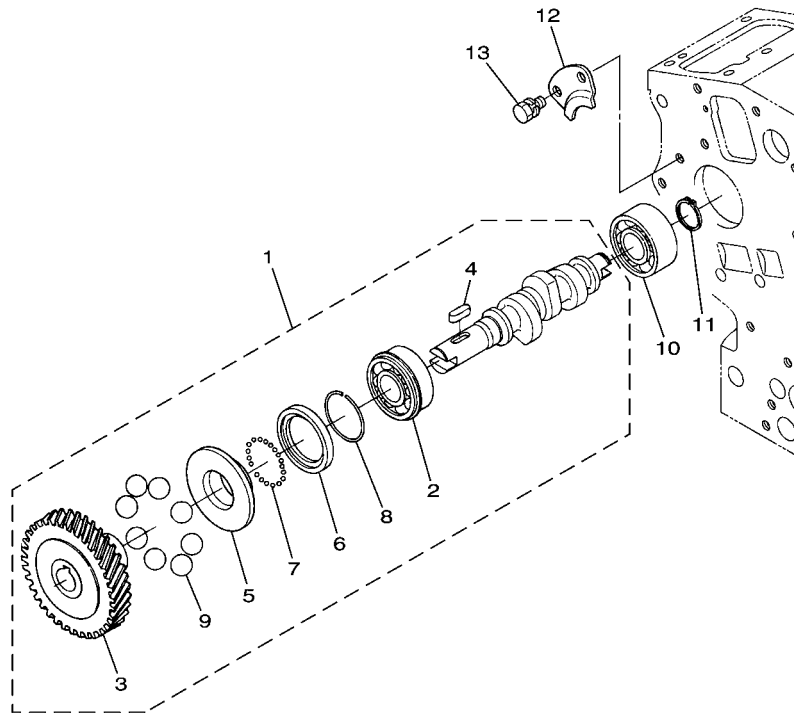


**FIG. 9 FLYWHEEL HOUSING**



REF. NO.	PART NO.	DESCRIPTION	Q9CP				REMARKS
1	YF1-K1922-50-10	COMP.FLYWHEEL	1				
2	YF1-68136-38-20	.GEAR,RING	1				
3	YF1-55332-51-62	BOLT,FLYWHEEL	5				
4	YF1-G2920-46-10	HOUSING(FLYWHEEL)	1				
5	YF0-11235-08-22	BOLT	10				
6	YF3-12201-41-70	COVER	1				
7	YF0-11235-08-14	BOLT,WITH WASHER	1				
8	YF0-40135-00-80	WASHER,PLATE	1				
9	YF6-88414-43-40	CAP	1				

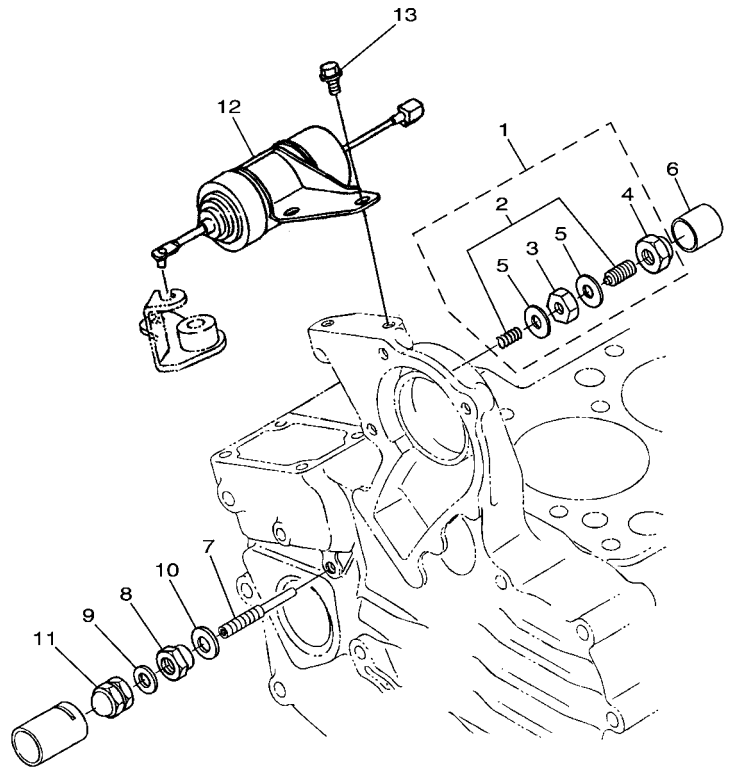
  
 Q9CP110-L090



Q9CP110-L100

FIG. 10 GOVERNOR 1

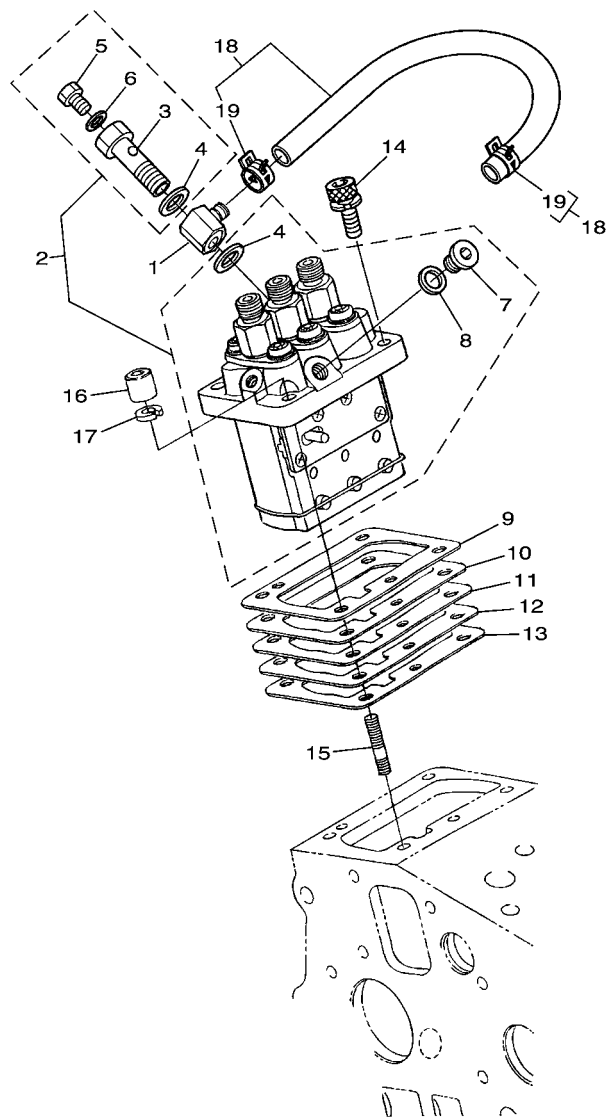
REF. NO.	PART NO.	DESCRIPTION	Q9CP				REMARKS
1	YF1-68711-60-22	ASSY CAMSHAFT,FUEL	1				
2	YF0-81530-62-03	.BEARING,BALL	1				
3	YF1-68515-11-50	.GEAR,INJECTION PUMP	1				
4	YF0-57120-05-15	.KEY	1				
5	YF1-58415-54-52	.SLEEVE,GOVERNOR	1				
6	YF1-58415-56-92	.CASE,GOVERNOR BALL	1				
7	YF0-77150-08-01	.BALL	32				
8	YF1-52615-54-70	.CIRCLIP	1				
9	YF0-77150-32-17	.BALL,STEEL	8				
10	YF1-68719-73	BEARING,BALL	1				
11	YF0-46120-01-70	CIRCLIP	1				
12	YF1-58411-63-20	STOPPER,FUEL CAM SHAFT	1				
13	YF0-10235-06-12	BOLT	2				



  
 Q9CP110-L110

**FIG. 11 GOVERNOR 2**

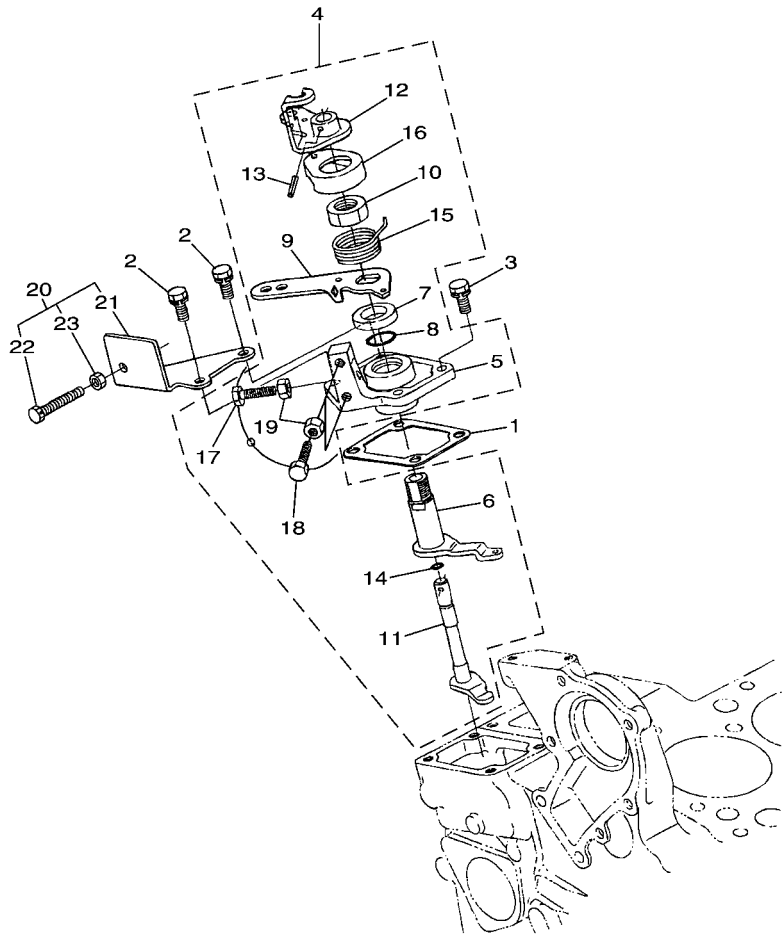
REF. NO.	PART NO.	DESCRIPTION	Q9CP				REMARKS
1	YF1-58415-40-92	IDLING REGULATOR ASSY	1				
2	YF1-58415-41	.ADJUSTING BOLT ASSY	1				
3	YF1-52619-20-20	.NUT	1				
4	YF1-58415-42-20	.NUT,CROWN	1				
5	YF1-50213-36-60	.PACKING	2				
6	YF1-58415-42-70	CAP	1				
7	YF1-58415-41-23	BOLT,ADJUSTING	1				
8	YF1-G0315-42-10	NUT	1				
9	YF1-56019-66-50	PACKING	1				
10	YF1-G0219-66-50	GASKET	1				
11	YF1-58419-23-30	NUT,CROWN	1				
12	YF1-68516-00-14	SOLENOID,STOP	1				
13	YF0-17545-06-12	BOLT,FLANGE	2				



Q9CP110-L120

FIG. 12 FUEL INJECTION PUMP

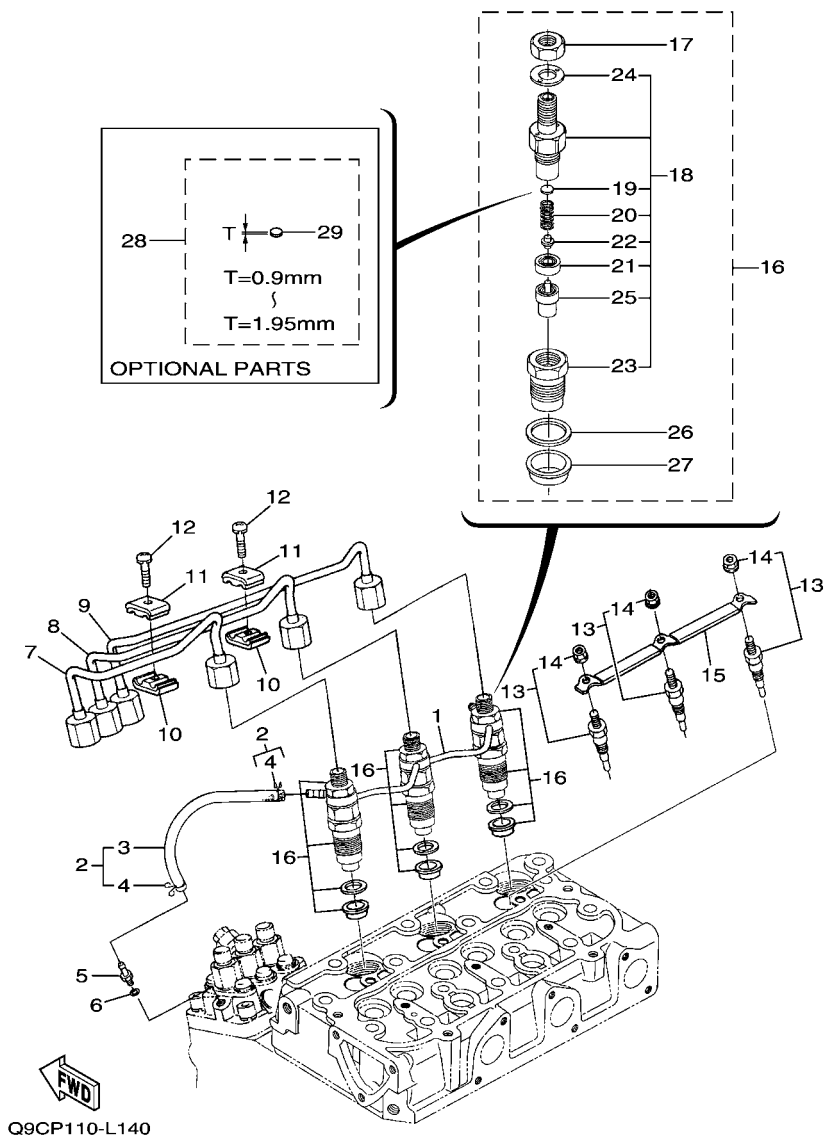
REF. NO.	PART NO.	DESCRIPTION	Q9CP				REMARKS
1	YF1-58419-56-80	NIPPLE,HOSE	1				
2	YF1-60065-10-12	ASSY PUMP,INJECTION	1				
3	YF1-58415-13-20	.SCREW	1				
4	YF1-58419-66-50	.PACKING	2				
5	YF1-58415-13-50	.SCREW,AIR BREATHER	1				
6	YF1-58419-66-60	.PACKING	1				
7	YF1-60309-60-10	.PLUG	1				
8	YF1-58619-66-50	.PACKING	1				
9	YF1-G7005-22	SHIM(0.175MM)	1				
10	YF1-60065-20-92	SHIM(0.200MM)	1				
11	YF1-60065-21-12	SHIM(0.250MM)	1				
12	YF1-60065-21-22	SHIM(0.300MM)	1				
13	YF1-G7005-21-60	SHIM(0.350MM)	1				
14	YF1-68719-10-60	BOLT,HEXAGON SOCKET HEAD	2				
15	YF1-58419-15	STUD	2				
16	YF1-58419-23-20	NUT,CROWN	2				
17	YF0-45125-00-60	WASHER,SPRING	2				
18	YF1-52614-20-10	FUEL PIPE ASSY	1				
19	YF1-49114-27-50	.PIPE CLIP	2				



Q9CP110-L130

FIG. 13 THROTTLE LEVER

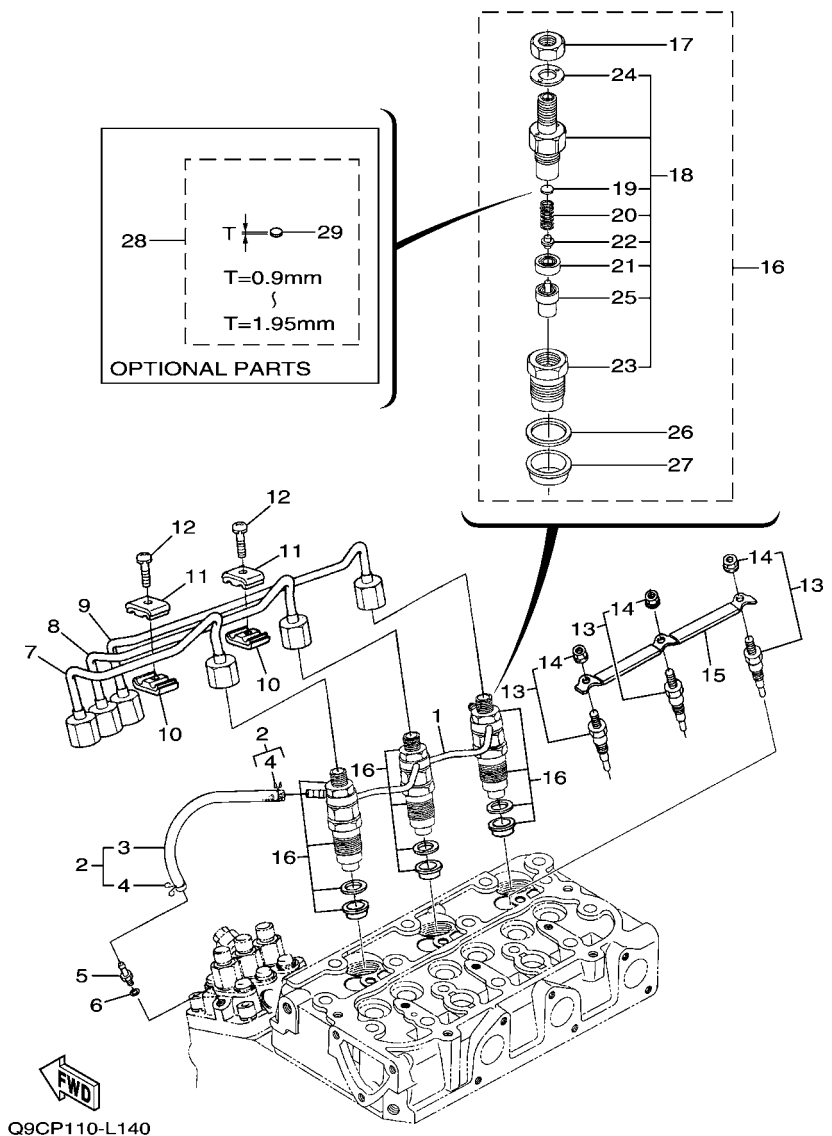
REF. NO.	PART NO.	DESCRIPTION	Q9CP				REMARKS
1	YF1-58415-72-12	GASKET	1				
2	YF0-10235-06-20	BOLT	2				
3	YF1-68719-10-50	BOLT	2				
4	YF1-75615-70-13	SPEED CONTROL COMP.	1				
5	YF1-58415-71-12	.PLATE,SPEED CONTROL	1				
6	YF1-58415-61-12	.LEVER,GOVERNOR	1				
7	YF1-92805-72-40	.COLLAR	1				
8	YF0-48141-01-60	.O-RING	1				
9	YF1-G6395-71-50	.LEVER,SPEED CONTROL	1				
10	YF1-68669-20-10	.NUT(LEVER,SPEED CONTROL)	1				
11	YF1-68785-77-42	.SHAFT,LEVER	1				
12	YF1-68515-77-24	.LEVER,ENGINE STOP	1				
13	YF0-54110-03-14	.PIN,SPRING	1				
14	YF0-48141-00-70	.O-RING	1				
15	YF1-68785-79-20	.SPRING,RETERN	1				
16	YF1-68665-73-02	.CAP	1				
17	YF1-92029-10-10	.BOLT	1				
18	YF1-92029-10-10	.BOLT	2				
19	YF0-20565-00-60	.NUT	3				
20	YF1-K1925-71-03	CONTROL PLATE ASSY	1				
21	YF1-K1925-71-10	.PLATE,SPEED CONTROL	1				
22	YF1-92029-10-10	.BOLT	1				
23	YF0-20565-00-60	.NUT	1				



Q9CP110-L140

FIG. 14 NOZZLE HOLDER ASSY

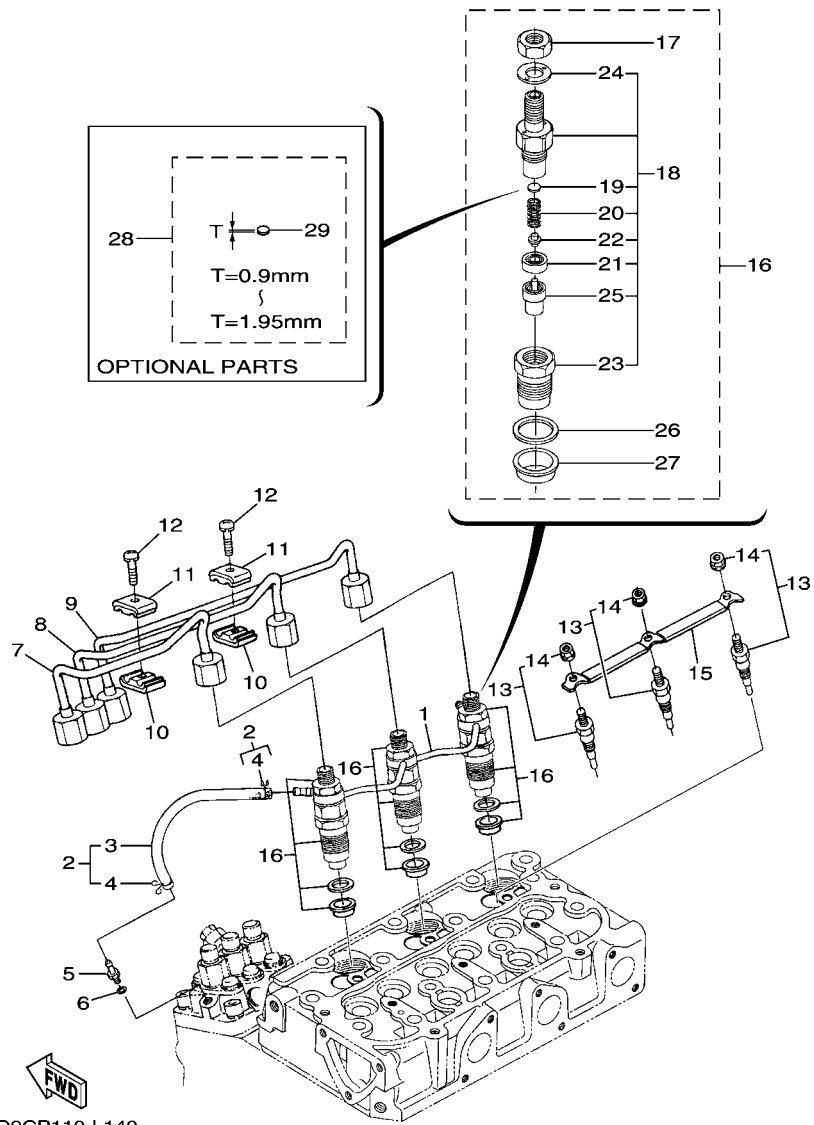
REF. NO.	PART NO.	DESCRIPTION	Q9CP				REMARKS
1	YF1-58624-25-02	PIPE ASSY,OVER FLOW	1				
2	YF1-58414-25	OVER FLOW PIPE ASSY 2	1				
3	YF1-58414-25-20	.PIPE,FUEL OVER FLOW	1				
4	YF1-49714-27-50	.PIPE CLIP	2				
5	YF1-58415-13-60	SCREW,AIR BREATHER	1				
6	YF1-56019-66-50	PACKING	1				
7	YF1-G6865-37-10	PIPE,INJECTION	1				
8	YF1-G6865-37-20	PIPE,INJECTION	1				
9	YF1-G6865-37-30	PIPE,INJECTION	1				
10	YF1-58415-38-50	CLAMP,PIPE 1	2				
11	YF1-58415-38-60	CLAMP,PIPE 2	2				
12	YF0-30245-05-20	SCREW,WITH WASHER	2				
13	YF1-68516-55-12	GLOW PLUG	3				
14	YF0-27615-00-40	.NUT,FLANGE	1				
15	YF1-68616-55-60	CORD,GLOW PLUG	1				
16	YF1-60015-39-04	NOZZLE HOLDER KIT	3				
17	YF1-G8269-20-32	.NUT	1				
18	YF1-60015-30-02	.NOZZLE HOLDER ASSY	1				
19	YF1-58415-32-30	..WASHER,ADJUSTING(0.90MM)	1				UR
20	YF1-58415-31-70	..SPRING,NOZZLE	1				
21	YF1-58415-33-50	..PIECE,DISTANCE	1				
22	YF1-58415-31-60	..PUSH ROD	1				
23	YF1-64755-32-80	..NUT,NOZZLE	1				
24	YF1-58419-40-40	..WASHER	1				
25	YF1-68515-36-10	..NOZZLE PIECE	1				
26	YF1-58415-36-22	.PACKING	1				
27	YF1-90775-36-50	.SEAL,HEAT	1				



Q9CP110-L140

FIG. 14 NOZZLE HOLDER ASSY

REF. NO.	PART NO.	DESCRIPTION	Q9CP		REMARKS
28	YF1-58419-81	ADJUSTING WASHER ASSY	3		AP
29	YF1-58415-32-30	.WASHER,ADJUSTING(0.90MM)	1		UR
	YF1-58419-85-10	.WASHER,ADJUSTING(0.925MM)	1		UR
	YF1-58419-85-20	.WASHER,ADJUSTING(0.950MM)	1		UR
	YF1-58419-85-30	.WASHER,ADJUSTING(0.975MM)	1		UR
	YF1-58419-85-40	.WASHER,ADJUSTING(1.000MM)	1		UR
	YF1-58419-85-50	.WASHER,ADJUSTING(1.025MM)	1		UR
	YF1-58419-85-60	.WASHER,ADJUSTING(1.050MM)	1		UR
	YF1-58419-85-70	.WASHER,ADJUSTING(1.075MM)	1		UR
	YF1-58419-85-80	.WASHER,ADJUSTING(1.100MM)	1		UR
	YF1-58419-85-90	.WASHER,ADJUSTING(1.125MM)	1		UR
	YF1-58419-86	.WASHER,ADJUSTING(1.150MM)	1		UR
	YF1-58419-86-10	.WASHER,ADJUSTING(1.175MM)	1		UR
	YF1-58419-86-20	.WASHER,ADJUSTING(1.200MM)	1		UR
	YF1-58419-86-30	.WASHER,ADJUSTING(1.225MM)	1		UR
	YF1-58419-86-40	.WASHER,ADJUSTING(1.250MM)	1		UR
	YF1-58419-86-50	.WASHER,ADJUSTING(1.275MM)	1		UR
	YF1-58419-86-60	.WASHER,ADJUSTING(1.300MM)	1		UR
	YF1-58419-86-70	.WASHER,ADJUSTING(1.325MM)	1		UR
	YF1-58419-86-80	.WASHER,ADJUSTING(1.350MM)	1		UR
	YF1-58419-86-90	.WASHER,ADJUSTING(1.375MM)	1		UR
	YF1-58419-87	.WASHER,ADJUSTING(1.400MM)	1		UR
	YF1-58419-87-10	.WASHER,ADJUSTING(1.425MM)	1		UR
	YF1-58419-87-20	.WASHER,ADJUSTING(1.450MM)	1		UR
	YF1-58419-87-30	.WASHER,ADJUSTING(1.475MM)	1		UR
	YF1-58419-87-40	.WASHER,ADJUSTING(1.500MM)	1		UR
	YF1-58419-87-50	.WASHER,ADJUSTING(1.525MM)	1		UR



Q9CP110-L140

FIG. 14 NOZZLE HOLDER ASSY

REF. NO.	PART NO.	DESCRIPTION	Q9CP		REMARKS
29	YF1-58419-87-60	.WASHER,ADJUSTING(1.550MM)	1		UR
	YF1-58419-87-70	.WASHER,ADJUSTING(1.575MM)	1		UR
	YF1-58419-87-80	.WASHER,ADJUSTING(1.600MM)	1		UR
	YF1-58419-87-90	.WASHER,ADJUSTING(1.625MM)	1		UR
	YF1-58419-88	.WASHER,ADJUSTING(1.650MM)	1		UR
	YF1-58419-88-10	.WASHER,ADJUSTING(1.675MM)	1		UR
	YF1-58419-88-20	.WASHER,ADJUSTING(1.700MM)	1		UR
	YF1-58419-88-30	.WASHER,ADJUSTING(1.725MM)	1		UR
	YF1-58419-88-40	.WASHER,ADJUSTING(1.750MM)	1		UR
	YF1-58419-88-50	.WASHER,ADJUSTING(1.775MM)	1		UR
	YF1-58419-88-60	.WASHER,ADJUSTING(1.800MM)	1		UR
	YF1-58419-88-70	.WASHER,ADJUSTING(1.825MM)	1		UR
	YF1-58419-88-80	.WASHER,ADJUSTING(1.850MM)	1		UR
	YF1-58419-88-90	.WASHER,ADJUSTING(1.875MM)	1		UR
	YF1-58419-89	.WASHER,ADJUSTING(1.900MM)	1		UR
	YF1-58419-89-10	.WASHER,ADJUSTING(1.925MM)	1		UR
	YF1-58419-89-20	.WASHER,ADJUSTING(1.950MM)	1		UR



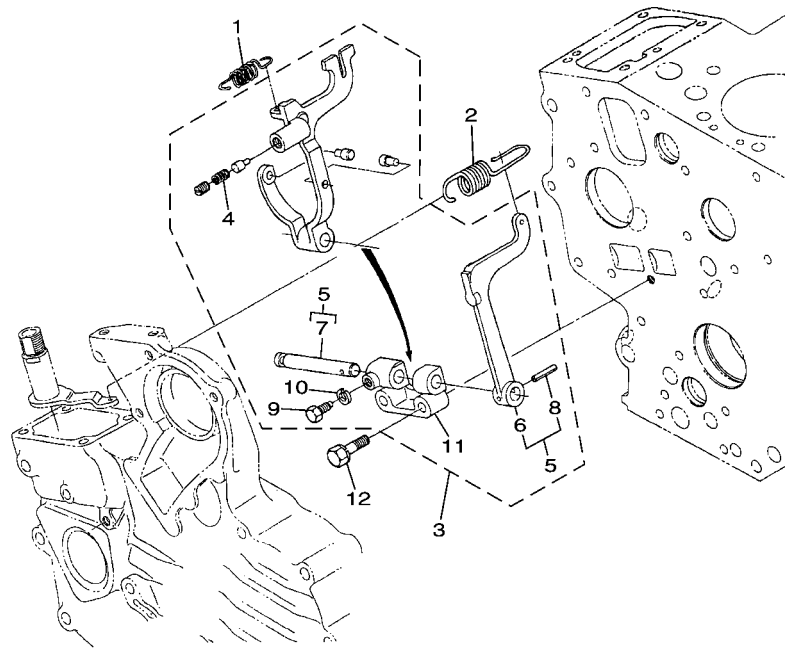
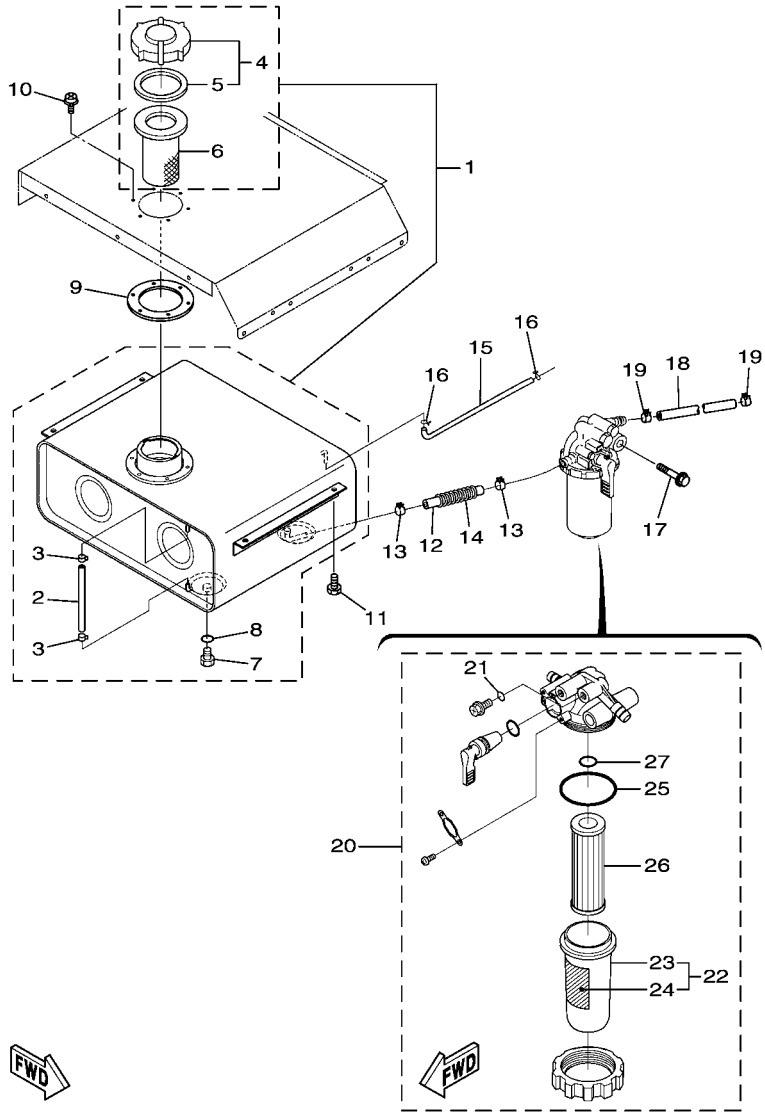


FIG. 15 GOVERNOR

REF. NO.	PART NO.	DESCRIPTION	Q9CP				REMARKS
1	YF1-58415-64-80	SPRING,START	1				
2	YF1-94615-64-10	SPRING,GOVERNOR	1				
3	YF1-74725-60-56	ASSY LEVER,FORK	1				
4	YF1-60005-42-30	.SPRING	1				
5	YF1-58415-60-60	.FORK LEVER 2 ASSY	1				
6	YF1-58415-61-30	..FORK LEVER 2	1				
7	YF1-58415-61-50	..SUPPORT,FORK LEVER	1				
8	YF0-54110-03-18	..PIN,SPRING	1				
9	YF1-52616-64-10	.BOLT	1				
10	YF0-45125-00-50	.WASHER, SPRING	1				
11	YF1-58415-62-33	.HOLDER,FORK LEVER	1				
12	YF0-10235-06-35	BOLT	2				

  
Q9CP110-L150

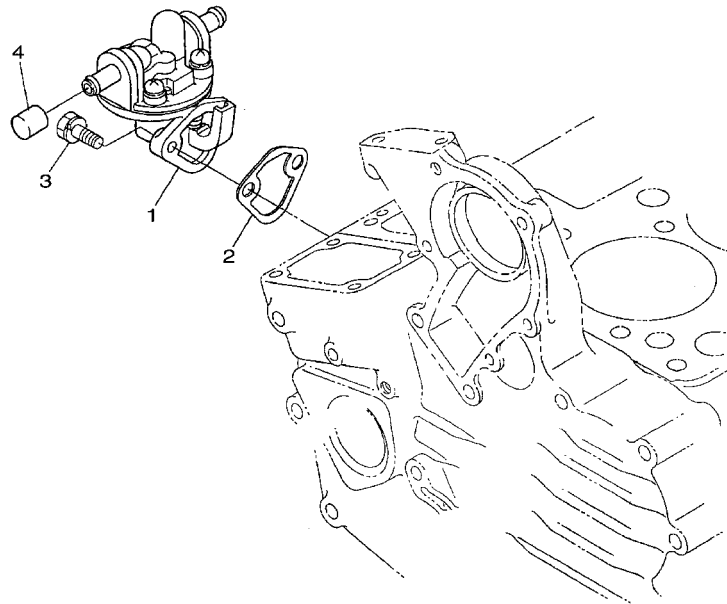


Q9CP110-L160

FIG. 16 FUEL TANK

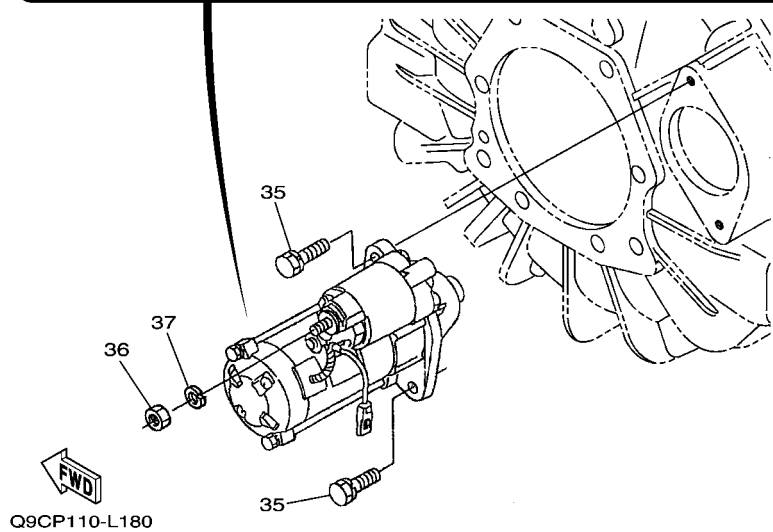
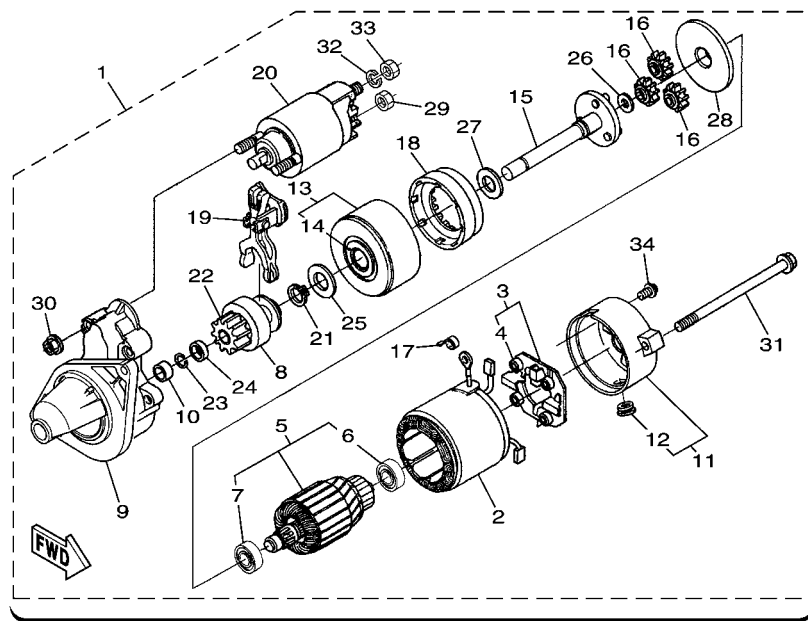
REF. NO.	PART NO.	DESCRIPTION	Q9CP				REMARKS
1	YF1-G2914-10-12	FUEL TANK ASSY	1				
2	YF1-G2914-17-10	.HOSE, GAUGE	1				
3	YF1-43014-23-60	.CLIP	2				
4	YF1-G2914-10-32	.FUEL TANK CAP ASSY	1				
5	YF1-G2914-13-42	..GASKET, TANK CAP	1				
6	YF1-11514-13-50	.FILTER	1				
7	YF0-63313-50-12	.PLUG	1				
8	YF1-51093-36-60	.GASKET	1				
9	YFG-31023-05-20	GASKET	1				
10	YF0-30345-05-10	SCREW,WITH WASHER	6				
11	YF0-17545-08-12	BOLT, FLANGE	4				
12	YF0-96618-01-80	TUBE,FUEL	1				
13	YF1-49114-27-50	PIPE CLIP	2				
14	YFG-31126-75-82	TUBE	1				
15	YF0-96614-02-40	TUBE,FUEL	1				
16	YF1-49714-27-50	PIPE CLIP	2				
17	YF0-17545-08-65	BOLT,FLANGE	1				
18	YF0-96618-03-40	TUBE,FUEL	1				
19	YF1-49114-27-50	PIPE CLIP	2				
20	YF1-E2504-30-10	FUEL FILTER ASSY	1				
21	YF0-48170-00-60	.O RING	2				
22	YF1-E2504-31	.FILTER CUP ASSY	1				
23	YF1-G3134-35-80	..CUP, FILTER	1				
24	YF1-E2508-84-30	..LABEL, FUEL	1				
25	YF1-G3134-36-50	.O RING	1				
26	YF1-G3134-35-60	.ELEMENT ASSY	1				
27	YF1-G3134-35-70	.O RING	1				

FIG. 17 FUEL PUMP



REF. NO.	PART NO.	DESCRIPTION	Q9CP				REMARKS
1	YF1-58215-20-30	FUEL PUMP ASSY	1				
2	YF1-62645-21-40	GASKET	1				
3	YF0-10235-06-16	BOLT	2				
4	YF1-52215-12-10	CAP	1				

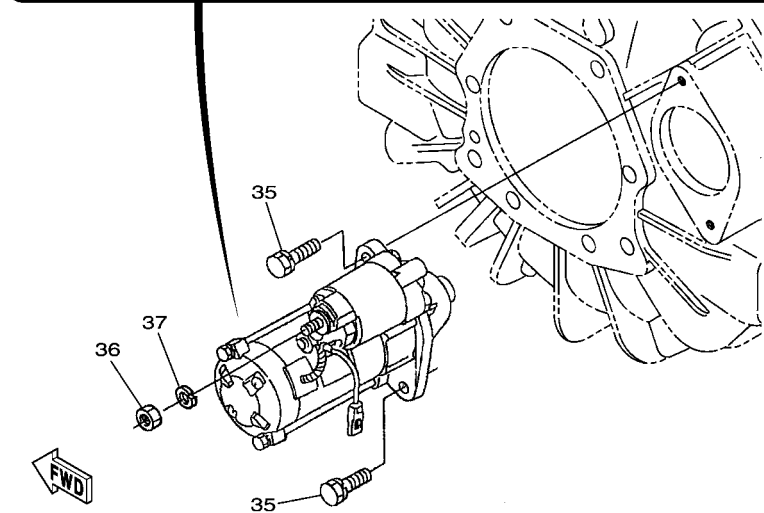
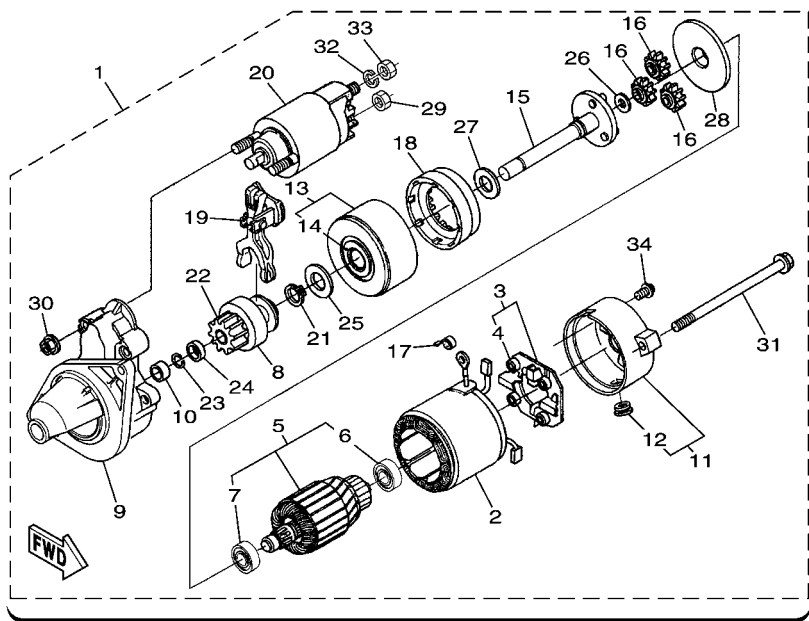
  
Q9CP110-L170



Q9CP110-L180

FIG. 18 STARTER

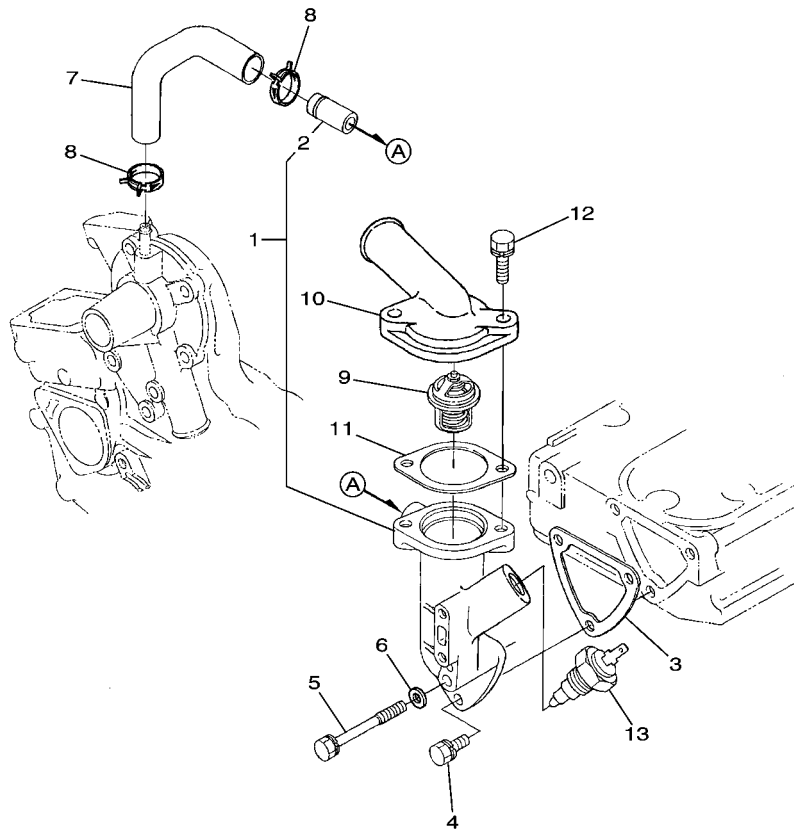
REF. NO.	PART NO.	DESCRIPTION	Q9CP				REMARKS
1	YF6-79803-11-50	STARTER ASSY	1				
2	YF6-A1003-11-60	.YOKE ASSY,STARTER	1				
3	YF1-49586-33-80	.HOLDER ASSY	1				
4	YF1-49586-34-80	..SPRING,BRUSH	4				
5	YF6-A1003-11-70	.ARMATURE ASSY	1				
6	YF1-55046-35-30	..BEARING,BALL	1				
7	YF1-55046-35	..BEARING,BALL	1				
8	YFK-35118-14-30	.CLUTCH SUB ASSY,STARTER	1				
9	YF6-79803-11-80	.HOUSING ASSY,STARTER	1				
10	YF6-A1003-11-90	.BEARING(OIL LESS)	1				
11	YFK-35118-14-50	.FLAME ASSY,COMMUTATOR	1				
12	YF1-21826-32-90	..COVER,WATER DRAIN	1				
13	YF1-49586-35-30	.BEARING SUB ASSY	1				
14	YF1-49586-30-60	..BEARING	1				
15	YFK-35118-14-60	.SHAFT SUB ASSY,STARTER	1				
16	YF1-49586-32-60	.INTERNAL GEAR	3				
17	YF1-54016-33-90	.SPRING,BRUSH	4				
18	YF1-49586-32-70	.GEAR 2	1				
19	YF1-49586-30-50	.LEVER,STARTER DRIVE	1				
20	YF1-21816-30-80	.SWITCH ASSY,MAGNETIC	1				
21	YF1-49586-31-70	.SNAP RING,SHAFT	1				
22	YF1-73116-32-80	.GEAR,PINION	1				
23	YF1-21816-32-20	.RING,SNAP	1				
24	YF1-38166-34-60	.COLLAR,PINION STOP	1				
25	YF1-49589-40-10	.WASHER,PLATE 1	1				
26	YF1-49589-40-20	.WASHER,PLATE 2	1				
27	YF1-49589-40-30	.WASHER,PLATE 3	1				



Q9CP110-L180

FIG. 18 STARTER

REF. NO.	PART NO.	DESCRIPTION	Q9CP				REMARKS
28	YF1-49589-40-40	.PLATE	1				
29	YF1-66119-20-20	.NUT,HEXAGON	1				
30	YF1-42789-20-10	.NUT	2				
31	YF1-14606-33-20	.BOLT,THROUGH	2				
32	YF1-38019-41	.WASHER,SPRING(T=8)	1				
33	YF1-96169-20-10	.NUT,HEXAGON	1				
34	YFK-35118-14-80	.SCREW	2				
35	YF0-11235-08-25	BOLT	2				
36	YF0-21565-00-80	NUT	1				
37	YF0-45125-00-80	WASHER,SPRING	1				

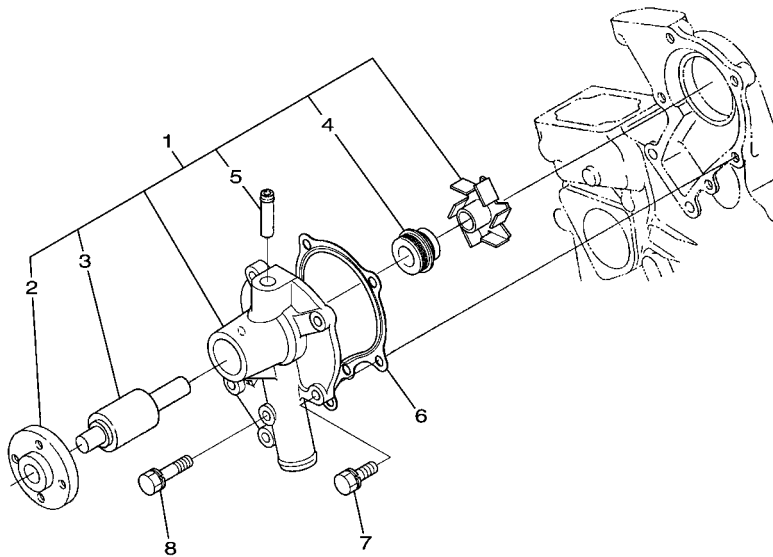


  
 Q9CP110-L190

**FIG. 19 COOLING**

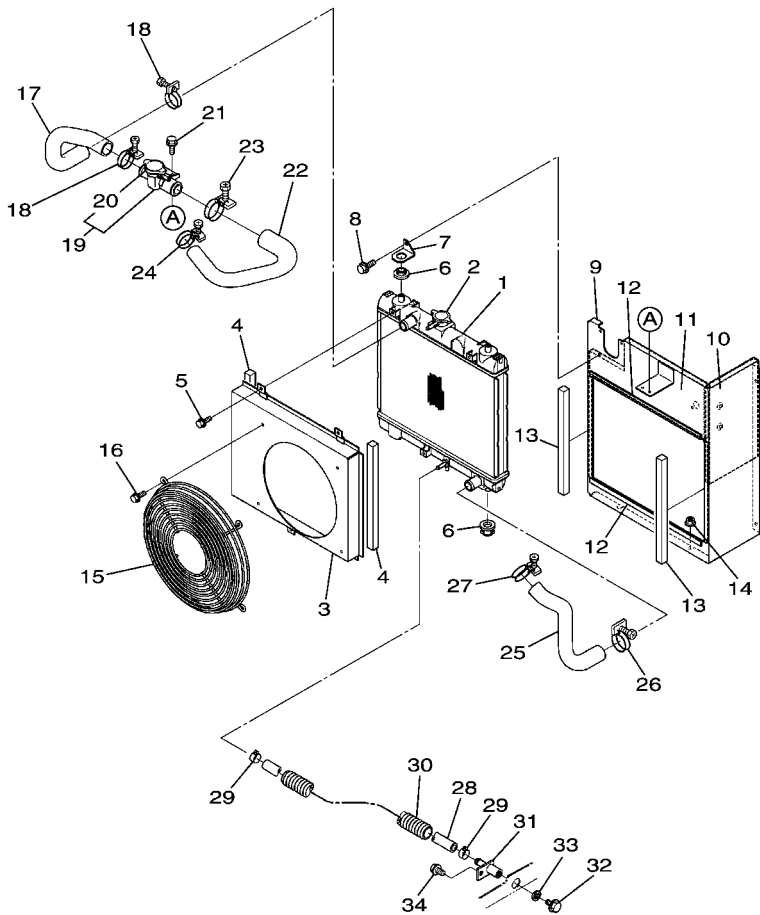
REF. NO.	PART NO.	DESCRIPTION	Q9CP				REMARKS
1	YF1-68757-27-04	WATER FLANGE COMP	1				
2	YF1-62417-33-70	.PIPE,WATER RETURN	1				
3	YF1-58417-29-23	GASKET,WATER FLANGE	1				
4	YF0-10235-06-16	BOLT	2				
5	YF0-10235-06-60	BOLT	1				
6	YF0-40135-00-60	WASHER,PLATE	1				
7	YF1-68517-33-50	PIPE WATER RETURN 2	1				
8	YF1-G6877-33-62	CLAMP,HOSE	2				
9	YF1-92037-30-14	ASSY THERMOSTAT	1				
10	YF1-56917-32-60	COVER,THERMOSTAT	1				
11	YF1-68517-32-70	PACKING,THERMOSTAT COVER	1				
12	YF0-10235-06-32	BOLT,SEMS	2				
13	YF1-75388-30-40	SWITCH,THERMOSTAT	1				

**FIG. 20 WATER PUMP**



**FWD**  
Q9CP110-L200

REF. NO.	PART NO.	DESCRIPTION	Q9CP				REMARKS
1	YF1-E0517-30-34	WATER PUMP ASSY	1				
2	YF1-58527-35-23	.FLANGE,WATER PUMP	1				
3	YF1-58527-35-50	.BEARING	1				
4	YF1-54817-30-50	.MECHANICAL SEAL ASSY	1				
5	YF1-58527-33-40	.PIPE,WATER RETURN 1	1				
6	YF1-68717-34-30	GASKET,WATER PUMP	1				
7	YF0-10235-06-22	BOLT	4				
8	YF0-10235-06-38	BOLT,WITH WASHER	1				

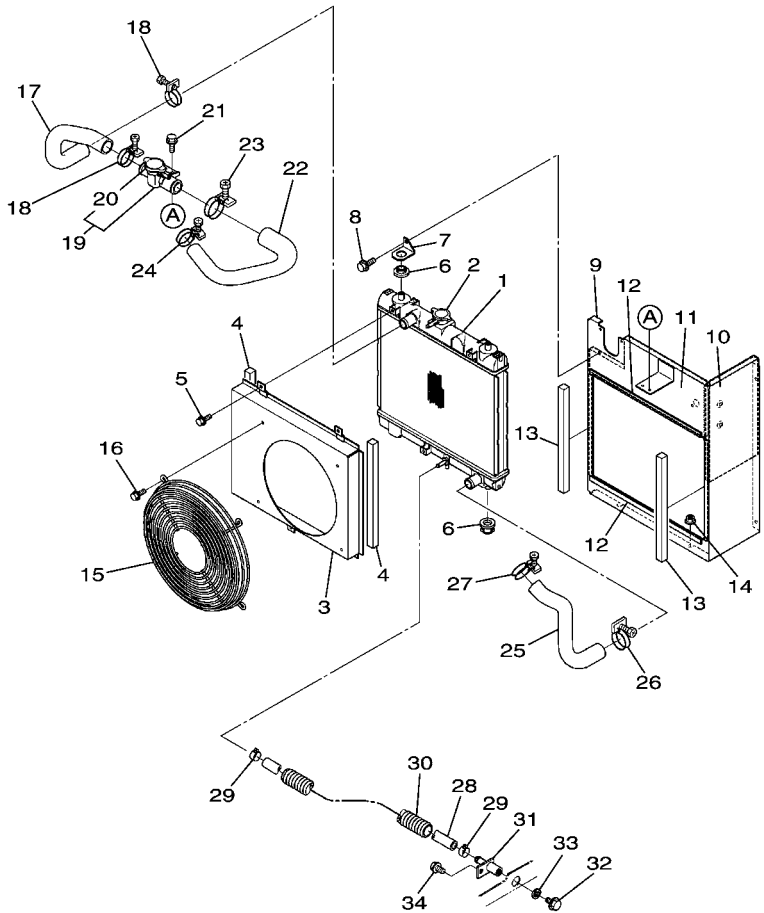


**FWD**  
Q9CP400-L210

**FIG. 21 RADIATOR & HOSE**

REF. NO.	PART NO.	DESCRIPTION	Q9CP				REMARKS
1	YF1-G2927-20-60	ASSY RADIATOR	1				
2	YF1-72147-20-20	RADIATOR CAP ASSY	1				
3	Y04-00000-00-67	SHROUD, FAN	1				
4	YFG-31124-03-70	CUSHION, RADIATOR	2				
5	YF0-17545-06-14	BOLT	3				
6	YF3-40701-60-30	RUBBER(RADIATOR MOUNT)	4				
7	Y04-00000-00-27	BRACKET, RADIATOR	2				
8	YF0-17545-08-16	BOLT	2				
9	Y04-00000-00-68	PLATE, RADIATOR	1				
10	YFG-31124-02-20	NOISE ABSORBER	1				
11	YFG-31124-02-30	NOISE ABSORBER	1				
12	YFG-31024-03-50	CUSHION	2				
13	YFG-31124-03-70	CUSHION, RADIATOR	2				
14	YF0-27515-00-80	NUT, FLANGE	2				
15	YF1-G2927-22-60	PROTECTOR, FAN	1				
16	YF0-17545-06-14	BOLT	4				
17	YF1-G2927-29-50	HOSE,WATER	1				
18	YF6-79555-86-30	CLAMP,HOSE	2				
19	YFR-C4114-23-10	CAP ASSY	1				
20	YF1-72147-20-20	.RADIATOR CAP ASSY	1				
21	YF0-17545-06-14	BOLT	2				
22	YF1-G2917-29-40	HOSE, WATER	1				
23	YF0-93188-90-45	CLAMP, HOSE	1				
24	YF0-93188-90-33	CLAMP, HOSE	1				
25	YF1-G2917-28-50	HOSE, WATER LOWER	1				
26	YF6-79555-86-30	CLAMP,HOSE	1				
27	YF0-93188-90-30	CLAMP,HOSE	1				



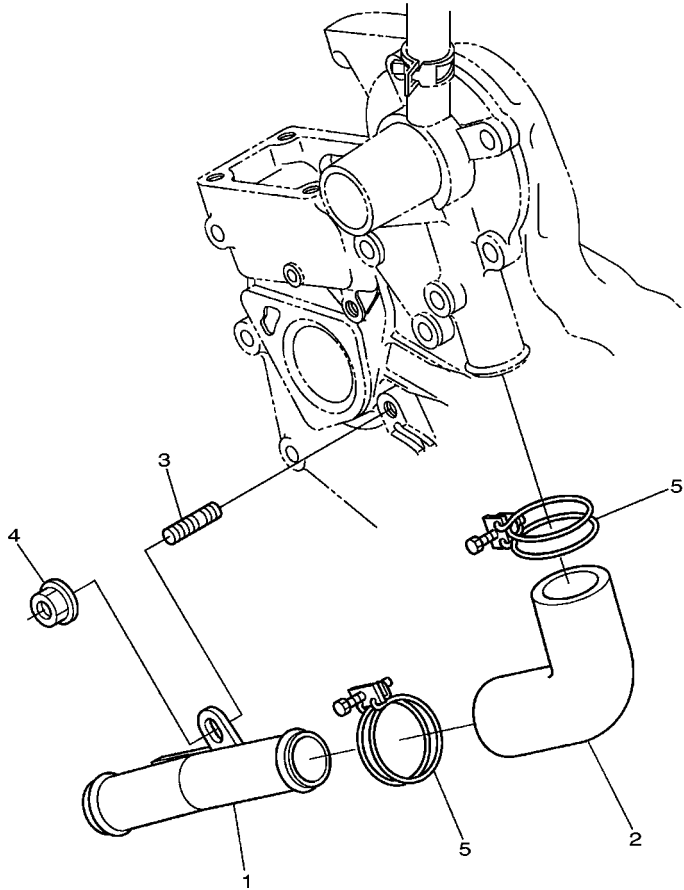


**FWD**  
Q9CP400-L210

**FIG. 21 RADIATOR & HOSE**

REF. NO.	PART NO.	DESCRIPTION	Q9CP				REMARKS
28	YF0-96618-05	FUEL TUBE	1				
29	YF1-49114-27-50	PIPE CLIP	2				
30	YFG-31016-75-80	TUBE	1				
31	YF1-G2917-31-70	JOINT, DRAIN PIPE	1				
32	YF1-39013-37-50	PLUG, DRAIN	1				
33	YF0-47240-01-20	GASKET	1				
34	YF0-17545-06-14	BOLT	1				

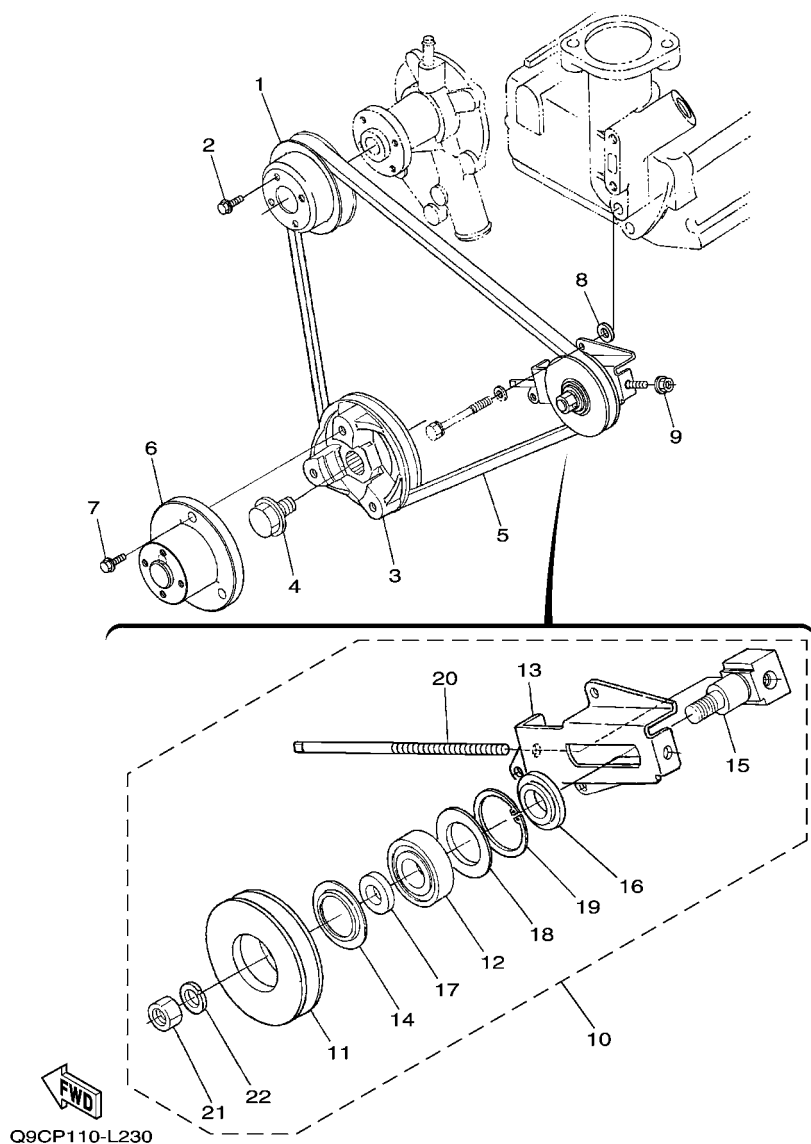
**FIG. 22 COOLING PIPE**



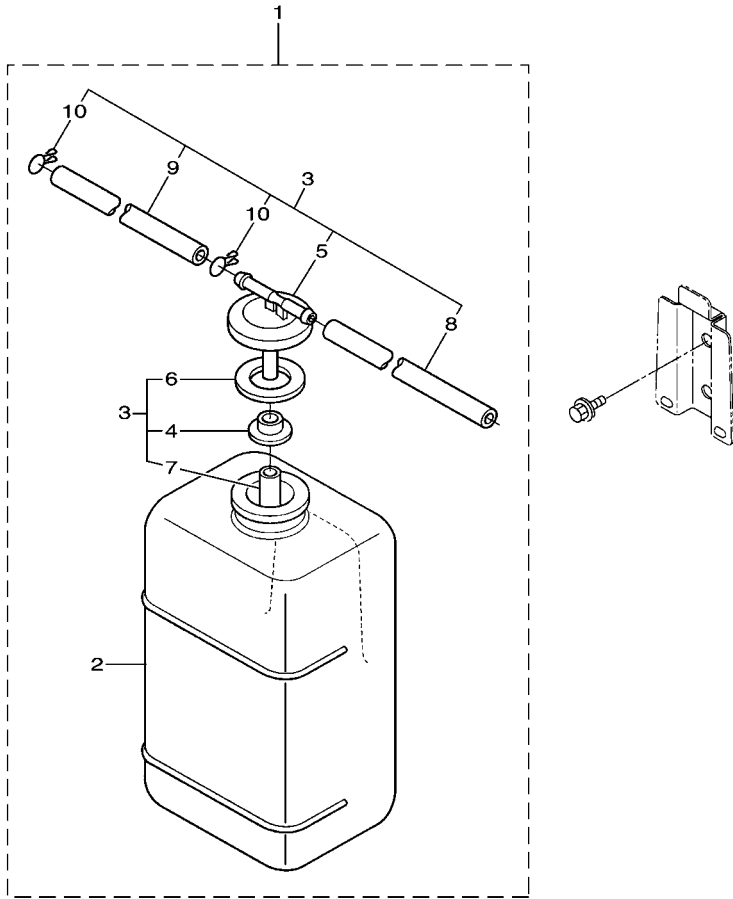
REF. NO.	PART NO.	DESCRIPTION	Q9CP				REMARKS
1	YF1-68057-28-60	PIPE,WATER	1				
2	YF1-68057-28-70	HOSE,WATER	1				
3	YF1-58419-15-10	STUD	1				
4	YF0-27515-00-60	NUT,FLANGE	1				
5	YF1-58417-29-60	BAND,PIPE	2				
-----							
-----							
-----							
-----							
-----							
-----							
-----							
-----							
-----							
-----							

  
Q9CP110-L220

**FIG. 23 COOLING SYSTEM**



REF. NO.	PART NO.	DESCRIPTION	Q9CP				REMARKS
1	YF1-58417-42-50	PULLEY,FAN	1				
2	YF0-17545-06-10	BOLT,FLANGE	4				
3	YF1-68617-42-85	PULLEY,FAN DRIVE	1				
4	YF1-58819-10-30	BOLT	1				
5	YF1-97019-70-10	BELT	1				
6	YF1-G2927-41-50	COLLAR,FAN	1				
7	YF0-17545-08-25	BOLT,FLANGE	3				
8	YF1-39615-72-40	COLLAR	1				
9	YF0-27615-00-60	NUT,FLANGE	1				
10	YF1-G2917-49	TENSION PULLEY ASSY	1				
11	YF1-52717-43-20	.PULLEY, TENSION	1				
12	YF1-52717-41-90	.BEARING	1				
13	YF1-75297-49-50	.SUPPORT,PULLEY	1				
14	YF1-52317-47-70	.COVER,TENSION PULLEY	1				
15	YF1-75947-43-30	.SHAFT,TENSION PULLEY	1				
16	YF1-75947-44-30	.COLLAR,TENSION PULLEY	1				
17	YF1-52717-44-30	.COLLAR,TENSION PULLEY	1				
18	YF1-43017-47-80	.COVER,TENSION PULLEY	1				
19	YF0-46110-04	.CIR CLIP, INTERNAL	1				
20	YF1-74467-49-40	.BOLT, LONG	1				
21	YF0-21765-01	.NUT	1				
22	YF0-45125-01	.WASHER, SPRING	1				



Q9CP110-L240

FIG. 24 RESERVE TANK

REF. NO.	PART NO.	DESCRIPTION	Q9CP				REMARKS
1	YF1-K5917-24	RESERVE TANK ASSY	1				
2	YF1-55317-24-10	.BODY,TANK	1				
3	YF1-K5914-28-50	.CAP ASSY	1				
4	YF3-G7041-73-90	..PLATE	1				
5	YF1-55317-24-22	..CAP	1				
6	YF1-55317-24-32	..PACKING	1				
7	YFR-C4114-28-60	..HOSE	1				
8	YF6-71565-88-32	..PIPE, WATER OVER FLOW	1				
9	YF1-98397-24-40	..HOSE, RUBBER	1				
10	YF1-55017-24-70	..CLIP,PIPE	2				





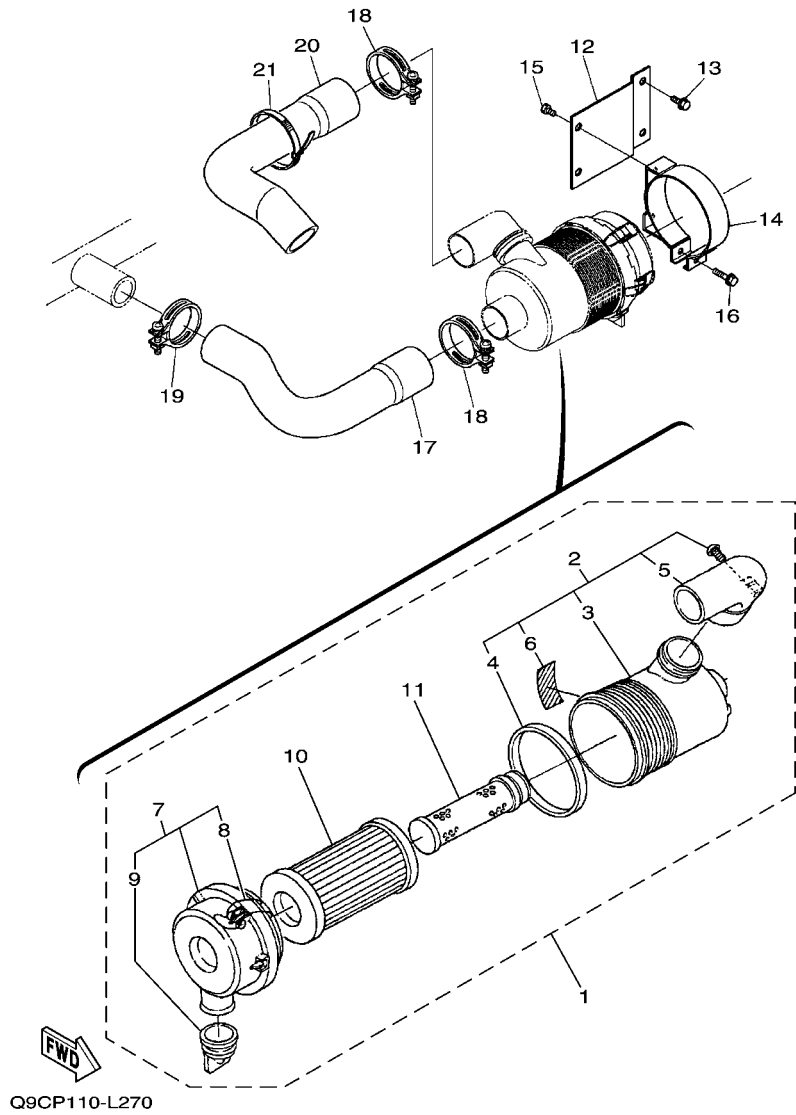
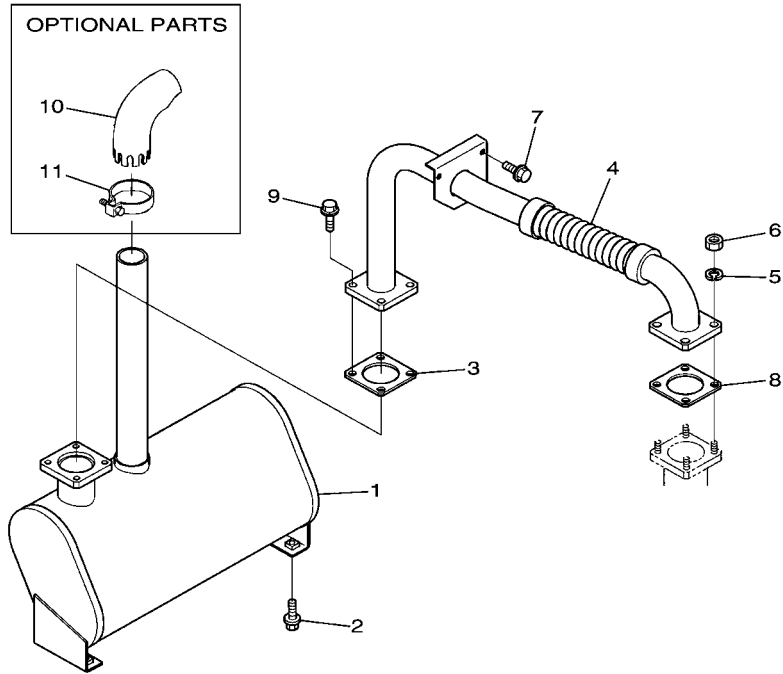


FIG. 27 AIR CLEANER

REF. NO.	PART NO.	DESCRIPTION	Q9CP				REMARKS
1	YF3-27215-82-03	AIR CLEANER ASSY	1				
2	YF3-27215-82-12	.CASE ASSY	1				
3	YF3-27215-82-20	..CASE, AIR CLEANER	1				
4	YF6-A1008-25-30	..GASKET	1				
5	YF6-79808-25-30	..ELBOW, AIR CLEANER	1				
6	YF3-27215-82-82	..LABEL CAUTION	1				
7	YF6-A1008-25-50	.COVER ASSY.,AIR CLEANER	1				
8	YF6-A1008-25-70	..SPRING	2				
9	YF6-79808-25-80	..VALVE	1				
10	YF6-C0609-94-10	.ELEMENT ASSY	1				
11	YF3-27215-82-42	.ELEMENT INNER	1				
12	Y04-00000-00-25	BRACKET, AIR CLEANER	1				
13	YF0-17545-08-16	BOLT	2				
14	YF1-K1901-12-50	BAND, AIR CLEANER	1				
15	YF0-17545-08-16	BOLT	2				
16	YF0-17545-08-30	BOLT	1				
17	YF1-G2921-16-20	PIPE, EXHAUST	1				
18	YF1-52211-17-20	BAND,PIPE	2				
19	YF1-52611-17-20	BAND,PIPE	1				
20	YF1-G2921-16-40	HOSE,INLET	1				
21	YFG-31020-40-60	FASTENER	2				



  
Q9CP110-L280

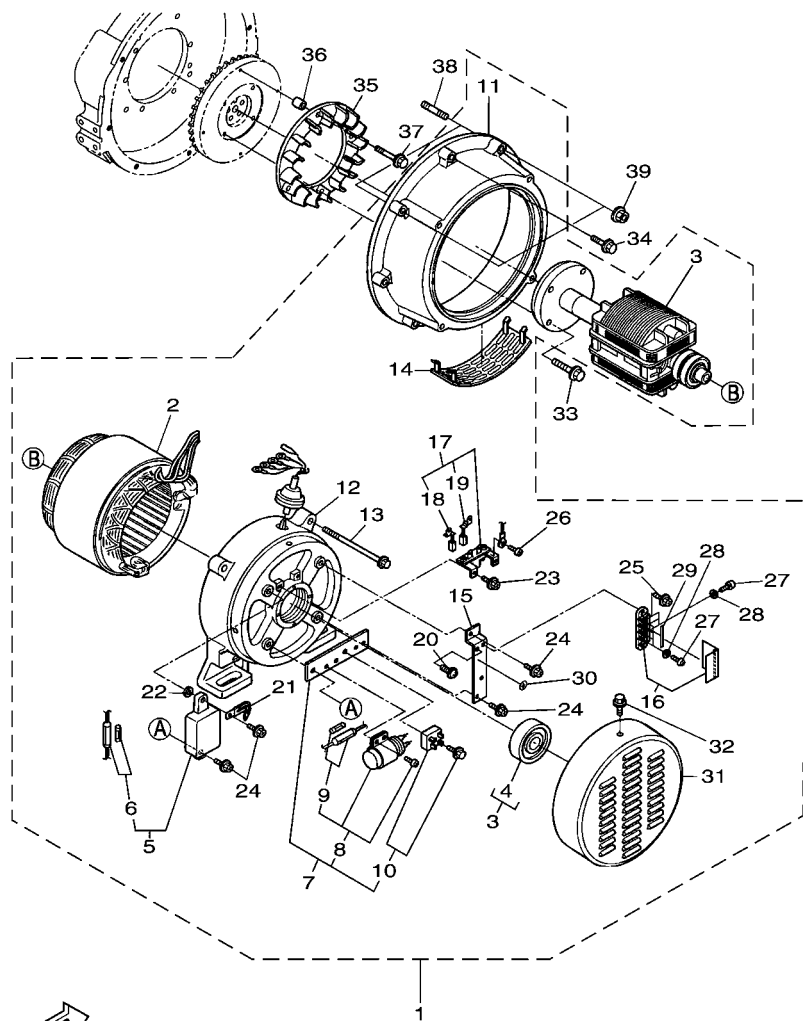
**FIG. 28 EXHAUST 2**

REF. NO.	PART NO.	DESCRIPTION	Q9CP			REMARKS
1	YF1-G2921-21-10	MUFFLER	1			
2	YF0-17545-08-16	BOLT	4			
3	YF1-52631-23-70	PACKING,MUFFLER(NA)	1			
4	YF1-G2921-24-02	PIPE,EXHAUST	1			
5	YF0-45126-00-80	WASHER,SPRING	4			
6	YF0-21145-00-80	NUT	4			
7	YF0-17545-06-14	BOLT	2			
8	YF1-52631-23-70	PACKING,MUFFLER(NA)	1			
9	YF0-17545-08-20	BOLT	4			
10	YF1-69201-24-10	PIPE(MUFFLER)	1			AP
11	YF1-69201-24-30	CLAMP(MUFFLER PIPE)	1			AP



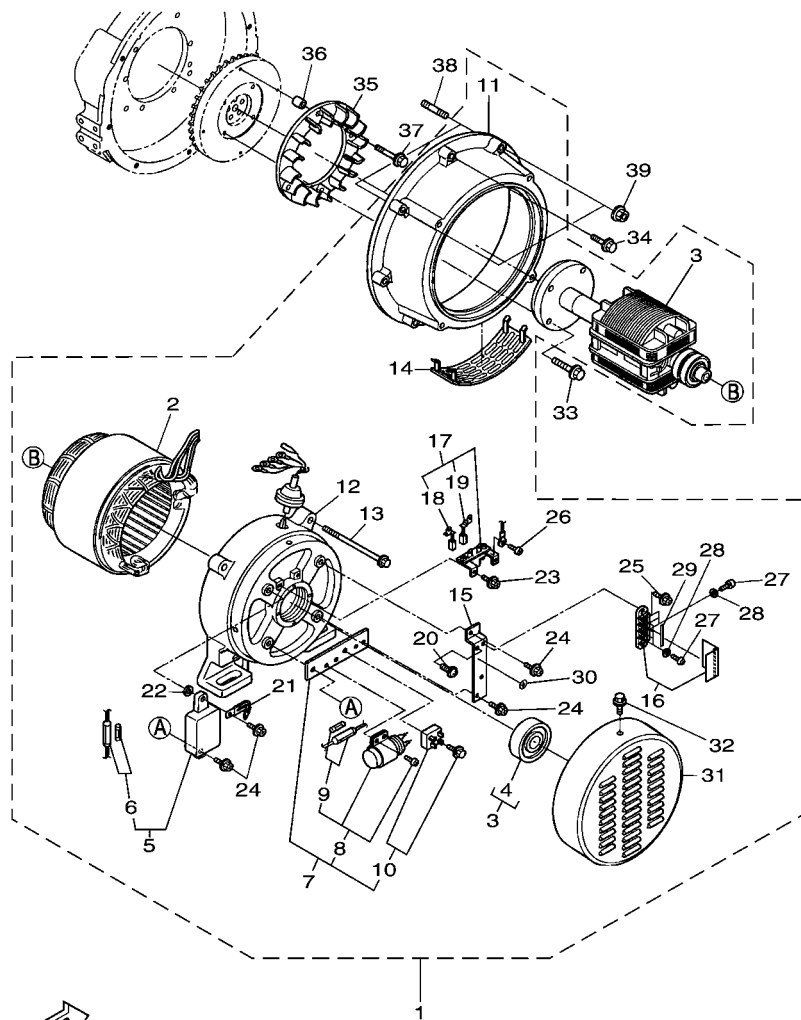


FIG. 30 GENERATOR



  
Q9CP400-L300

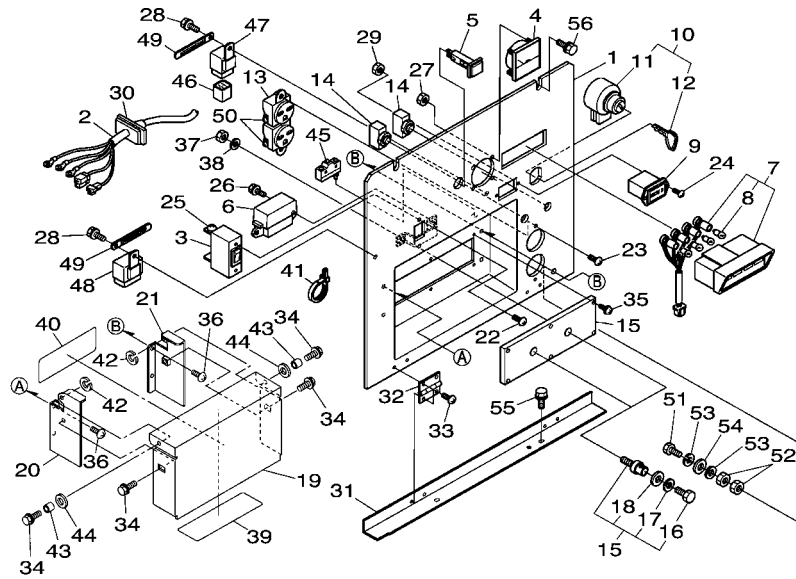
REF. NO.	PART NO.	DESCRIPTION	Q9CP				REMARKS
1	Y04-00000-00-74	ASSY GENERATOR	1				
2	YFG-31110-24	.ASSY STARTOR	1				
3	YFG-39170-23	.ASSY ROTOR	1				
4	YF1-69701-05-60	..BEARING	1				
5	YFG-31120-28-02	.ASSY CONTROL	1				
6	YF1-81060-34-80	..FUSE	1				5A
7	YF1-88070-26-60	.DIODE ASSY	1				
8	YF1-69726-04-20	..ASSY CONDENSER	1				
9	YF1-81070-34-80	...FUSE (8A)	1				
10	YF1-89080-26-50	..RECTIFIER 2	1				
11	YFG-39070-22-10	.BRACKET, FRONT	1				
12	YF1-69700-26-10	.BRACKET, REAR	1				
13	YFG-39179-10-20	.BOLT	4				
14	YFG-39070-25-20	.PLATE, COVER	2				
15	YFG-39070-26-50	.PLATE, LH	1				
16	YFG-39071-07-30	.CONNECTOR ASSY	1				
17	YFG-39070-27	.ASSY HOLDER, BRUSH	1				
18	YFG-39070-27-50	..ASSY BRUSH, 1	1				
19	YFG-39070-27-60	..ASSY BRUSH, 1	1				
20	YF1-88130-43-90	.SCREW	1				
21	YFG-39070-28-50	.PLATE	2				
22	YF1-88071-16-60	.WASHER	1				
23	YF1-69709-10-30	.BOLT	2				
24	YF1-89131-58-30	.BOLT	4				
25	YFG-39070-29-40	.BOLT	2				
26	YF1-81009-11-50	.SCREW, WITH WASHER	2				
27	YFG-39079-11-50	.SCREW, BSML	4				



  
 Q9CP400-L300

**FIG. 30 GENERATOR**

REF. NO.	PART NO.	DESCRIPTION	Q9CP				REMARKS
28	YFG-39079-11-60	.WASHER, BS	4				
29	YFG-39070-39-70	.MARK	1				
30	YF1-86598-70-70	.LABEL, EARTH	1				
31	YFG-39070-25-50	.COVER, CLEANER	1				
32	YF0-17545-06-12	.BOLT,FLANGE	3				
33	YF0-17545-08-40	BOLT, FLANGE	4				
34	YF0-17545-08-35	BOLT	6				
35	YFG-39170-23-20	FAN	1				
36	YFG-39070-23-30	COLLAR, FAN	4				
37	YF0-17745-10-40	BOLT, FLANGE	4				
38	YF0-15135-08-32	STUD	2				
39	YF0-27515-00-80	NUT, FLANGE	2				



**FWD**  
Q9CP400-L310

**FIG. 31 CONTROL BOX 1**

REF. NO.	PART NO.	DESCRIPTION	Q9CP				REMARKS
1	YFG-31110-32-12	PLATE, PANEL	1				
2	YFG-31110-38	WIRE HARNESS, AC	1				
3	YFG-31110-35-10	BREAKER	1				
4	YF1-69976-05	METER, VOLT	1				
5	YF1-84000-34-10	PILOT LAMP ASSY	1				
6	YFG-31023-45	FUSE BOX ASSY	1				
7	YF1-74787-02	PILOT BOX	1				
8	YF3-41503-45-90	.BULB	4				
9	YF1-84906-13-50	METER, HOUR	1				
10	YF1-52486-35-90	STARTER SWITCH ASSY.	1				
11	YF6-C0405-54-12	.SWITCH,STARTER	1				
12	YF1-52486-37	.KEY,STARTER	1				
13	YF1-84310-32-50	RECEPTACLE	1				
14	YFG-39490-35-10	BREAKER	2				
15	YFG-39070-33	P TERMINAL ASSY	1				
16	YFG-39079-10-10	.BOLT, BSML	2				
17	YFG-39079-40-70	.WASHER, SPRING BSM	2				
18	YFG-39079-40-10	.WASHER, PLAIN BSM	2				
19	YFG-31010-33-50	COVER, TERMINAL (AC)	1				
20	YFG-31010-33-70	BRACKET, TERMINAL L	1				
21	YFG-39070-33-60	BRACKET, TERMINAL R	1				
22	YFG-11312-09-20	SCREW, BREAKER	2				
23	YFG-39069-32-60	SCREW	2				
24	YFG-39079-13-20	SCREW, ML BLACK	2				
25	YF1-88130-43-90	SCREW	2				
26	YF1-69709-10-30	BOLT	2				
27	YF1-84100-55	NUT	2				

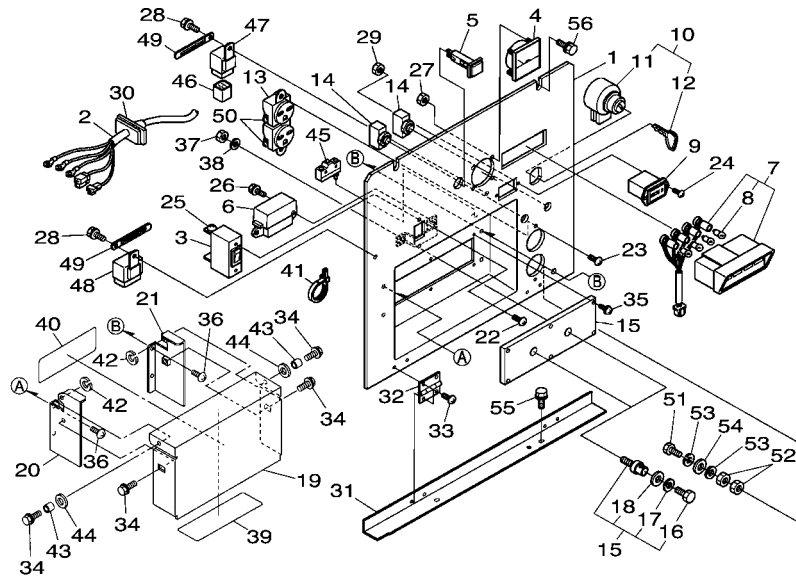
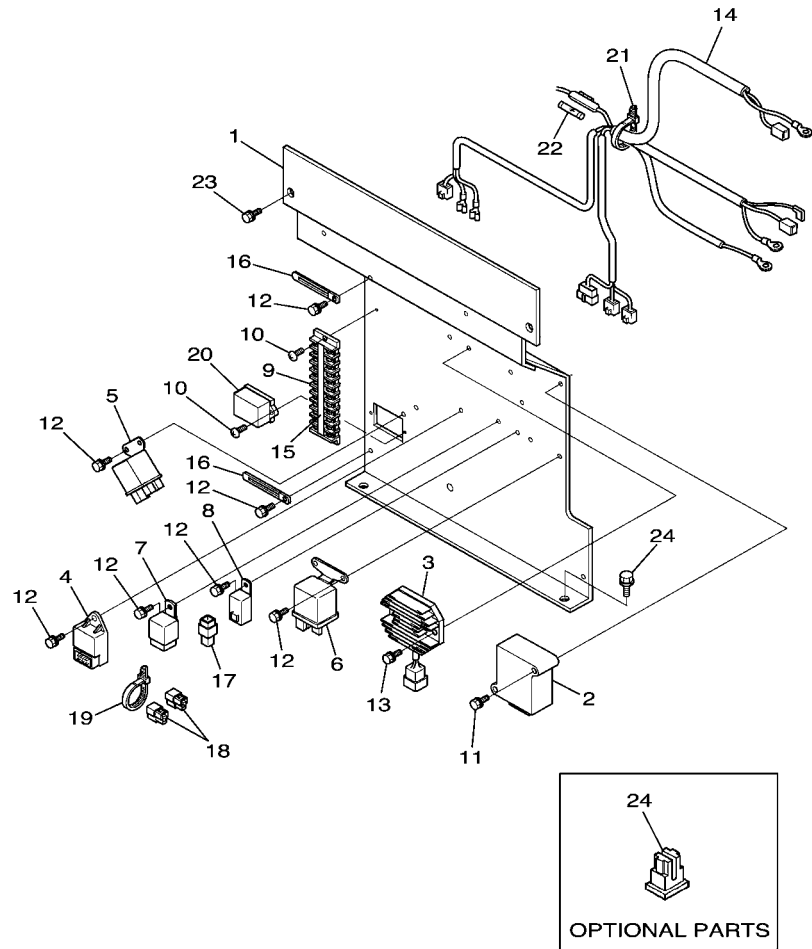


FIG. 31 CONTROL BOX 1

REF. NO.	PART NO.	DESCRIPTION	Q9CP				REMARKS
28	YF0-12055-06-12	BOLT, W SEMS(PHILLIPS)	2				
29	YF1-84100-55	NUT	2				
30	YF1-88062-01-80	GROMMET	1				
31	Y04-00000-00-55	BRACKET	1				
32	YFG-31023-03-80	HINGE, PANEL	2				
33	YFG-31029-10-50	SCREW, TAPPING	8				
34	YFG-39079-13-10	BOLT, FLANGE (BLACK)	4				
35	YF1-88219-10-30	BOLT, FLANGE	6				
36	YF0-30345-05-12	SCREW, W SEMS(PAN HEAD)	4				
37	YFG-39079-13-80	NUT, BS	2				
38	YFG-39079-13-90	WASHER, SPRING BS	2				
39	YFG-39078-84-30	LABEL, TERMINAL (SV)	1				
40	YFG-39070-33-90	CUSHION	1				
41	YF1-89010-40-60	FASTENER	5				
42	YFG-39079-13-70	WASHER	2				
43	YFG-39070-33-80	COLLAR	2				
44	YF0-40125-00-80	WASHER, PLATE	2				
45	YFG-31010-32-50	SWITCH, LIMIT	1				
46	YFG-31010-37-10	WIRE HARNESS	1				
47	YFG-31016-02-20	RELAY COMP. (B)	1				
48	YFG-31016-02-50	RELAY	1				
49	YFG-39070-28-50	PLATE	2				
50	YF1-85869-19-60	SCREW, WITH WASHER	5				
51	YFG-39070-39-80	BOLT	1				
52	YFG-39079-13-50	NUT	2				
53	YFG-39079-11-60	WASHER, BS	2				
54	YFG-39069-40-10	WASHER, PLAIN	1				

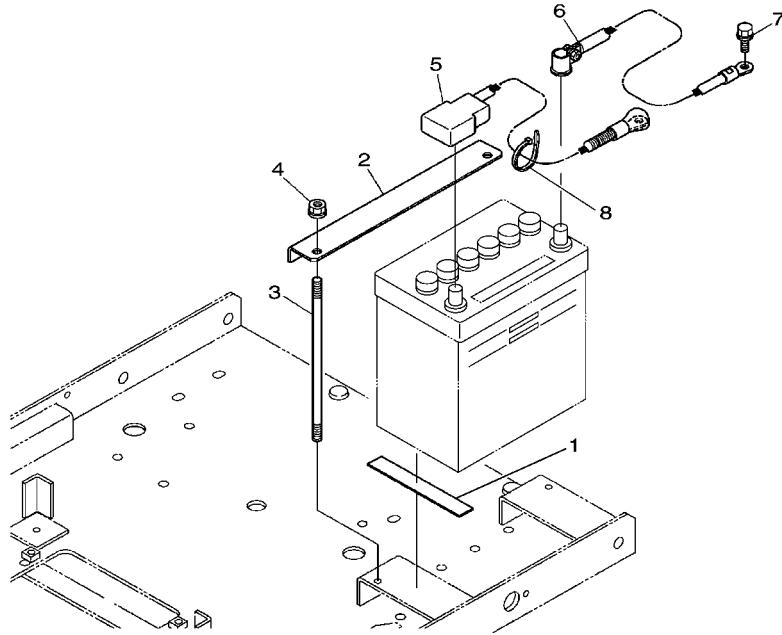




  
Q9CP400-L320

**FIG. 32 CONTROL BOX 2**

REF. NO.	PART NO.	DESCRIPTION	Q9CP				REMARKS
1	Y04-00000-00-56	BRACKET	1				
2	YF1-71476-06-04	EMERGENCY UNIT	1				
3	YF1-58446-46-03	REGULATOR COMP.	1				
4	YF1-56946-59-90	LAMP TIMER	1				
5	YF1-62596-02-50	ASSY RELAY	1				
6	YF1-64156-56	RELAY,GLOW	1				
7	YF1-74786-02-20	RELAY COMP. (B)	1				
8	YFG-39076-02-50	RELAY	1				
9	YFG-39070-34-10	AMF TERMINAL ASSY	1				
10	YFG-31029-10-60	SCREW, TAPPING	4				
11	YF1-88071-05-90	BOLT	2				
12	YF0-12055-06-12	BOLT, W SEMS(PHILLIPS)	9				
13	YF1-89131-58-30	BOLT	2				
14	YFG-31120-38-10	WIRE HARNESS, ENG	1				
15	YFG-39078-84-40	MARK, AMF	1				
16	YFG-39070-28-50	PLATE	2				
17	YF3-50803-45-30	FUSE	2				50A
18	YFR-P2015-39-20	DIODE	2				
19	YF1-89010-40-60	FASTENER	5				
20	YFG-39070-37-80	ASSY CONTROLER	1				
21	YFG-31120-40-60	CLAMP, CORD	1				
22	YFG-39070-34-80	FUSE	2				1A
23	YF0-17545-08-16	BOLT	4				
24	YF3-50803-45-30	FUSE	1				AP 50A



  
 Q9CP110-L330

**FIG. 33 BATTERY TRAY**

REF. NO.	PART NO.	DESCRIPTION	Q9CP				REMARKS
1	YFG-31023-02	CUSHION (BT)	2				
2	Y04-00000-00-04	SUPPORT	1				
3	YF1-89633-32-90	BOLT, BATTERY	2				
4	YF0-27515-00-60	NUT, FLANGE	2				
5	YF1-G2926-55-62	CORD, BATTERY	1				
6	YF1-G2926-55-70	CORD, BATTERY (-)	1				
7	YF0-17745-10-16	BOLT, FLANGE	1				
8	YFG-31020-40-60	FASTENER	3				





Q9CP110-L340

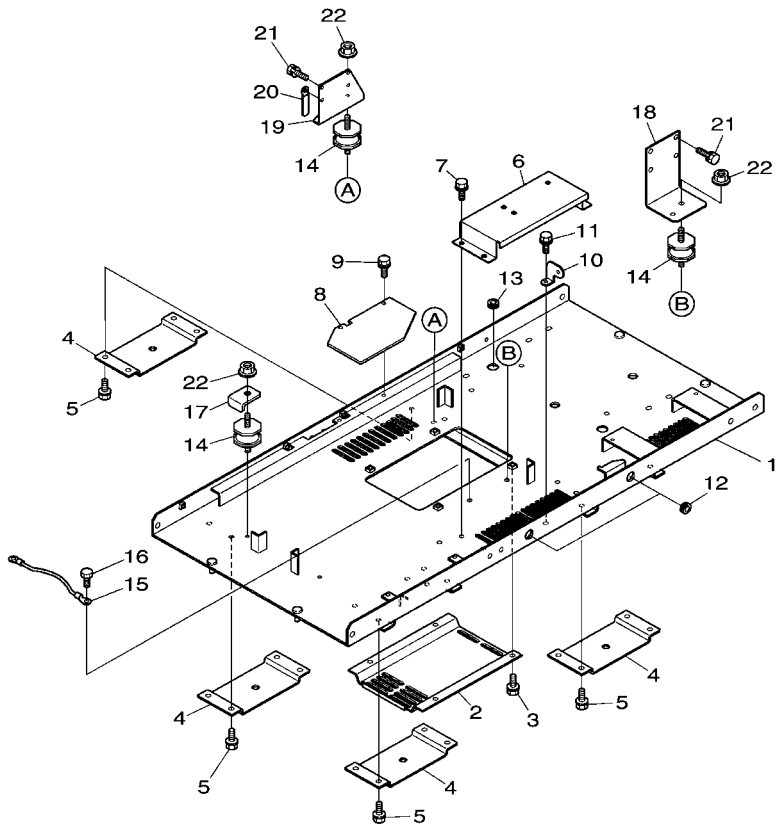
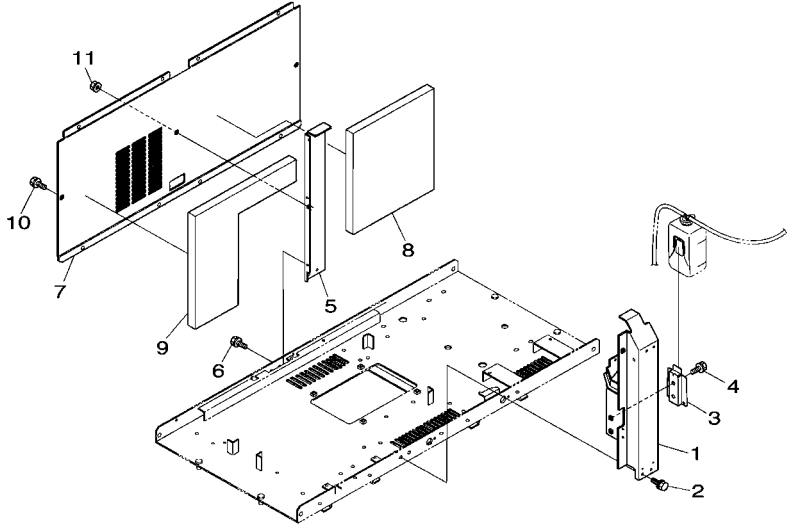


FIG. 34 PANEL BODY

REF. NO.	PART NO.	DESCRIPTION	Q9CP				REMARKS
1	Y04-00000-00-57	BASE,COMMON	1				
2	Y04-00000-00-58	COVER, BASE	1				
3	YF0-17545-08-16	BOLT	4				
4	Y04-00000-00-07	SUPPORT	4				
5	YF0-17545-08-16	BOLT	16				
6	Y04-00000-00-59	COVER	1				
7	YF0-17545-08-16	BOLT	3				
8	Y04-00000-00-60	COVER	1				
9	YF0-17545-08-16	BOLT	2				
10	YF1-89613-13-10	HOLDER, DOOR LOCK	1				
11	YF0-17545-06-14	BOLT	1				
12	YF1-89613-12-10	BUSH, RUBBER	2				
13	YF3-40701-60-30	RUBBER(RADIATOR MOUNT)	2				
14	YFG-31123-05-80	CUSHION, RUBBER	4				
15	YFG-31026-79-10	WIRE HARNESS	1				
16	YF0-17545-06-14	BOLT	2				
17	YFG-39073-06-70	PLATE	2				
18	YFG-31123-05-60	BRACKET, ENGINE	1				
19	YFG-31123-05-70	BRACKET, ENGINE	1				
20	YF3-53402-93-80	CLAMP, CORD	1				
21	YF0-11335-10-22	BOLT, SEMS	8				
22	YF0-27715-01-20	NUT,FLANGE	4				

FIG. 35 FRAME 1



REF. NO.	PART NO.	DESCRIPTION	Q9CP				REMARKS
1	Y04-00000-00-10	BEAM	1				
2	YF0-17545-08-16	BOLT	2				
3	YF1-19827-24-60	STAY,RESERVE TANK	1				
4	YF0-17545-06-14	BOLT	2				
5	Y04-00000-00-11	BEAM, CENTER	1				
6	YF0-17545-08-16	BOLT	2				
7	Y04-00000-00-61	COVER, SIDE	1				
8	YFG-31124-02-50	SPONGE, COVER	1				
9	YFG-31124-02-60	SPONGE, COVER	1				
10	YF0-17545-08-16	BOLT	10				
11	YF0-27515-00-80	NUT, FLANGE	1				

  
 Q9CP110-L350



Q9CP110-L360

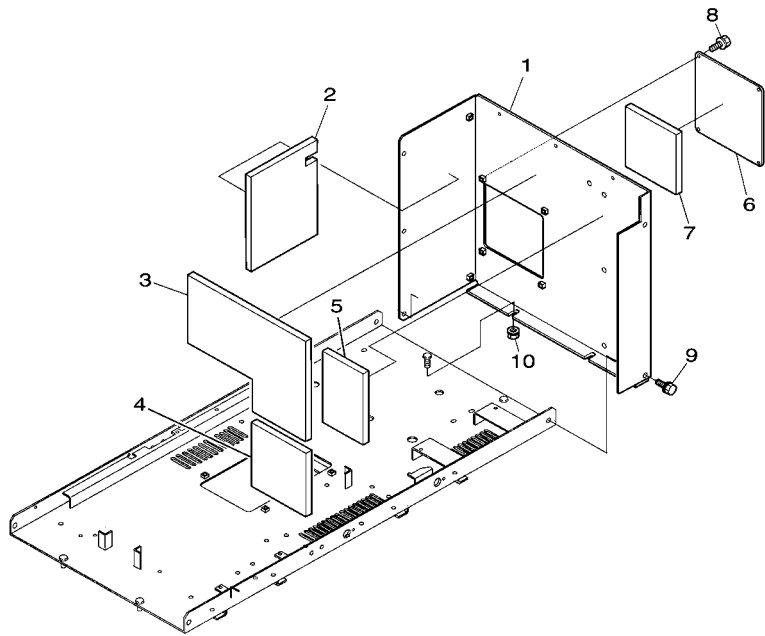
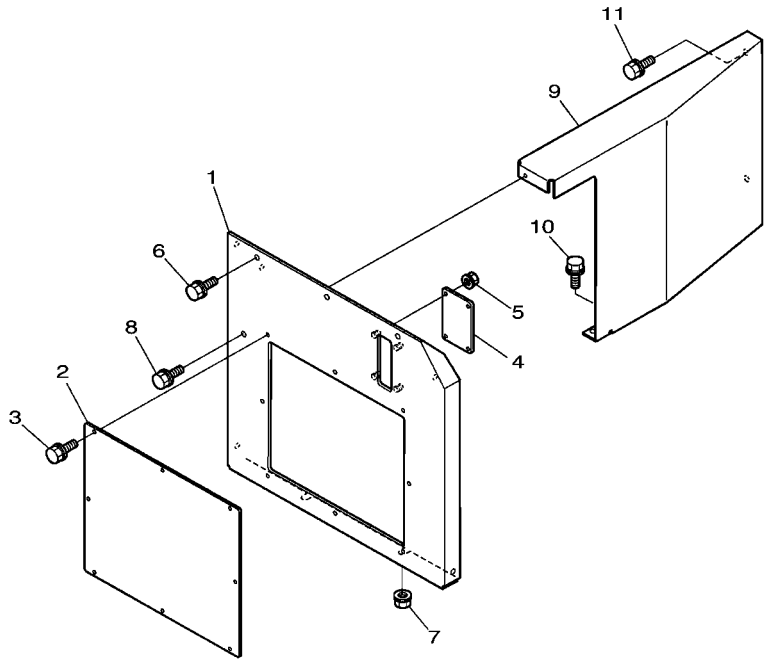


FIG. 36 FRAME 2

REF. NO.	PART NO.	DESCRIPTION	Q9CP				REMARKS
1	Y04-00000-00-62	FRAME, FRONT	1				
2	YFG-31124-02	NOISE ABSORBER	1				
3	YFG-31024-02-10	NOISE ABSORBER	1				
4	YFG-31124-02-40	NOISE ABSORBER	1				
5	YFG-31024-02-90	NOISE ABSORBER	1				
6	Y04-00000-00-14	COVER	1				
7	YFG-31124-02-40	NOISE ABSORBER	1				
8	YF0-17545-06-14	BOLT	4				
9	YF0-17545-08-16	BOLT	14				
10	YF0-27515-00-80	NUT, FLANGE	2				
<hr/>							
<hr/>							
<hr/>							
<hr/>							
<hr/>							
<hr/>							
<hr/>							
<hr/>							
<hr/>							
<hr/>							

**FIG. 37 FRAME 3**

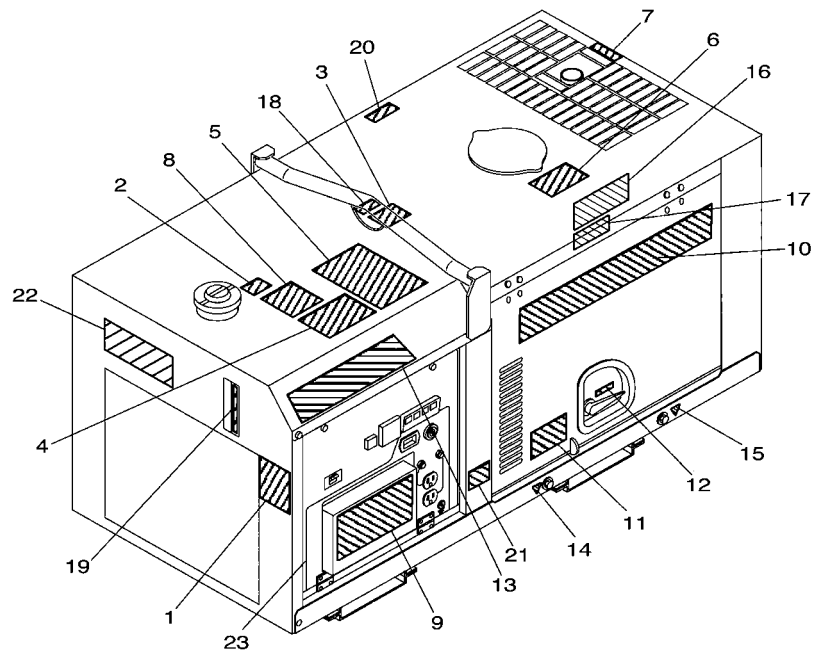


  
 Q9CP110-L370

REF. NO.	PART NO.	DESCRIPTION	Q9CP				REMARKS
1	Y04-00000-00-15	FRAME, REAR	1				
2	Y04-00000-00-16	COVER, GAUGE	1				
3	YF0-17545-06-14	BOLT	8				
4	YFG-31023-01-20	COVER, GAUGE	1				
5	YF0-27515-00-60	NUT, FLANGE	4				
6	YF0-17545-08-16	BOLT	7				
7	YF0-27515-00-80	NUT, FLANGE	2				
8	YF0-17545-06-14	BOLT	1				
9	Y04-00000-00-63	COVER	1				
10	YF0-17545-08-16	BOLT	1				
11	YF0-17545-06-14	BOLT	2				
-----							
-----							
-----							
-----							
-----							
-----							







  
 Q9CP400-L400

**FIG. 40 LABELS**

REF. NO.	PART NO.	DESCRIPTION	Q9CP				REMARKS
1	Y04-00000-00-75	NAME PLATE	1				
2	YF1-89015-09	LABEL, FUEL	1				
3	Y04-00000-00-31	LABEL, HOOK CAUTION	1				
4	Y04-00000-00-32	LABEL, CAUTION VENTI	1				
5	YFG-39078-82-30	LABEL, INSTRUCTION	1				
6	Y04-00000-00-33	LABEL, RADIATOR CAUTION	1				
7	Y04-00000-00-34	LABEL, HIGH TEMPERAT.	1				
8	YFG-31028-84-10	LABEL, FUEL	1				
9	YFG-39078-83-10	LABEL, WIRING CAUTION	1				
10	Y04-00000-00-73	LABEL (EDL11000SE)	1				
11	Y04-00000-00-36	LABEL, CAUTION	1				
12	YF1-89015-06-30	LABEL, HANDLE	1				
13	Y04-00000-00-37	LABEL, YAMAHA	1				
14	YF1-89015-13-50	LABEL, DRAIN	1				
15	YF1-89615-13-50	LABEL, DRAIN	1				
16	YFG-39078-83-30	LABEL, STOP	1				
17	YF6-C0405-55-90	LABEL, BATTERY	1				
18	YFG-31128-84-70	LABEL, MASS	1				
19	YFG-31028-84-20	LABEL, FE	1				
20	Y04-00000-00-38	LABEL, HI-TEMP.	1				
21	YFG-31028-83-70	LABEL, GROUND	1				
22	Y04-00000-00-39	LABEL, WARNING	1				
23	YFG-31132-43-10	LABEL, PANEL	1				

NUMERICAL INDEX

PART NO.	REF. NO.	PART NO.	REF. NO.	PART NO.	REF. NO.	PART NO.	REF. NO.	PART NO.	REF. NO.	PART NO.	REF. NO.
Y04-00000-00-04	33 - 2	YF0-10235-06-20	13 - 2	YF0-17545-08-12	16 - 11	YF0-27515-00-80	30 - 39	YFG-31123-05-80	34 - 14	YFG-39071-07-30	30 - 16
Y04-00000-00-07	34 - 4	YF0-10235-06-22	7 - 10	YF0-17545-08-16	21 - 8		35 - 11	YFG-31124-02	36 - 2	YFG-39073-06-70	34 - 17
Y04-00000-00-10	35 - 1		20 - 7		27 - 13		36 - 10	YFG-31124-02-20	21 - 10	YFG-39076-02-50	32 - 8
Y04-00000-00-11	35 - 5	YF0-10235-06-32	19 - 12		27 - 15		37 - 7	YFG-31124-02-30	21 - 11	YFG-39078-82-30	40 - 5
Y04-00000-00-14	36 - 6	YF0-10235-06-35	15 - 12		28 - 2	YF0-27565-00-60	36 - 5	YFG-31124-02-40	36 - 4	YFG-39078-83-10	40 - 9
Y04-00000-00-15	37 - 1	YF0-10235-06-38	20 - 8		32 - 23	YF0-27615-00-40	14 - 14		36 - 7	YFG-39078-83-30	40 - 16
Y04-00000-00-16	37 - 2	YF0-10235-06-45	25 - 5		34 - 3	YF0-27615-00-60	23 - 9	YFG-31124-02-50	35 - 8	YFG-39078-84-30	31 - 39
Y04-00000-00-20	38 - 7	YF0-10235-06-50	4 - 14		34 - 5	YF0-27715-01-20	34 - 22	YFG-31124-02-60	35 - 9	YFG-39078-84-40	32 - 15
Y04-00000-00-22	39 - 5	YF0-10235-06-55	4 - 15		34 - 7	YF0-27835-01	6 - 9	YFG-31124-02-70	39 - 2	YFG-39079-10-10	31 - 16
Y04-00000-00-23	39 - 10	YF0-10235-06-60	4 - 18		34 - 9	YF0-30245-05-10	5 - 8	YFG-31124-02-80	38 - 2	YFG-39079-11-50	30 - 27
Y04-00000-00-24	39 - 14		19 - 5		35 - 2	YF0-30245-05-20	14 - 12	YFG-31124-03-10	39 - 4	YFG-39079-11-60	30 - 28
Y04-00000-00-25	27 - 12	YF0-10235-06-70	4 - 19		35 - 6	YF0-30345-05-10	16 - 10	YFG-31124-03-60	38 - 4		31 - 53
Y04-00000-00-27	21 - 7	YF0-10235-06-80	4 - 20		35 - 10	YF0-30345-05-12	31 - 36	YFG-31124-03-70	21 - 4	YFG-39079-13-10	31 - 34
Y04-00000-00-31	40 - 3	YF0-11235-08-14	2 - 5		36 - 9	YF0-31010-32-50	31 - 45		21 - 13	YFG-39079-13-20	31 - 24
Y04-00000-00-32	40 - 4		9 - 7		37 - 6	YFG-31010-33-50	31 - 19	YFG-31126-75-82	16 - 14	YFG-39079-13-50	31 - 52
Y04-00000-00-33	40 - 6	YF0-11235-08-16	3 - 2		37 - 10	YFG-31010-33-70	31 - 20	YFG-31128-84-70	40 - 18	YFG-39079-13-70	31 - 42
Y04-00000-00-34	40 - 7	YF0-11235-08-22	9 - 5	YF0-17545-08-20	28 - 9	YFG-31010-37-10	31 - 46	YFG-31132-43-10	40 - 23	YFG-39079-13-80	31 - 37
Y04-00000-00-36	40 - 11	YF0-11235-08-25	18 - 35		38 - 8	YFG-31016-02-20	31 - 47	YFK-35118-14-30	18 - 8	YFG-39079-13-90	31 - 38
Y04-00000-00-37	40 - 13	YFG-11312-09-20	31 - 22	YF0-17545-08-25	23 - 7	YFG-31016-02-50	31 - 48	YFK-35118-14-50	18 - 11	YFG-39079-40-10	31 - 18
Y04-00000-00-38	40 - 20	YF0-11335-10-22	34 - 21	YF0-17545-08-30	27 - 16	YFG-31016-75-80	21 - 30	YFK-35118-14-60	18 - 15	YFG-39079-40-70	31 - 17
Y04-00000-00-39	40 - 22	YF1-11514-13-50	16 - 6	YF0-17545-08-35	30 - 34	YFG-31020-40-60	27 - 21	YFK-35118-14-80	18 - 34	YFG-39170-23	30 - 3
Y04-00000-00-55	31 - 31	YF0-12055-06-12	31 - 28	YF0-17545-08-40	7 - 2		33 - 8	YF1-38019-41	18 - 32	YFG-39170-23-20	30 - 35
Y04-00000-00-56	32 - 1		32 - 12		30 - 33	YFG-31023-00-80	39 - 8	YF1-38166-34-60	18 - 24	YFG-39179-10-20	30 - 13
Y04-00000-00-57	34 - 1	YF3-12201-41-70	9 - 6	YF0-17545-08-65	16 - 17	YFG-31023-01-20	37 - 4	YF1-39013-37-50	21 - 32	YFG-39490-35-10	31 - 14
Y04-00000-00-58	34 - 2	YF1-14201-31-50	8 - 22	YF0-17745-10-16	33 - 7	YFG-31023-02	33 - 1		29 - 6	YF1-39615-72-40	23 - 8
Y04-00000-00-59	34 - 6	YF1-14606-33-20	18 - 31	YF0-17745-10-40	30 - 37	YFG-31023-03-80	31 - 32	YFG-39069-32-60	31 - 23	YF0-40125-00-80	31 - 44
Y04-00000-00-60	34 - 8	YF0-15135-06-18	26 - 4	YF1-19827-24-60	35 - 3	YFG-31023-05-20	16 - 9	YFG-39069-40-10	31 - 54	YF0-40135-00-60	4 - 16
Y04-00000-00-61	35 - 7	YF0-15135-08-22	26 - 6	YF0-20565-00-60	13 - 19	YFG-31023-45	31 - 6	YFG-39070-22-10	30 - 11		19 - 6
Y04-00000-00-62	36 - 1	YF0-15135-08-32	30 - 38		13 - 23	YFG-31024-02-10	36 - 3	YFG-39070-23-30	30 - 36	YF0-40135-00-80	9 - 8
Y04-00000-00-63	37 - 9	YF0-17515-06-14	31 - 56	YF0-21145-00-80	28 - 6	YFG-31024-02-90	36 - 5	YFG-39070-25-20	30 - 14		39 - 12
Y04-00000-00-64	38 - 1	YF0-17545-06-10	23 - 2	YF0-21565-00-80	18 - 36	YFG-31024-03	39 - 3	YFG-39070-25-50	30 - 31	YF3-40701-60-30	21 - 6
Y04-00000-00-65	38 - 6	YF0-17545-06-12	11 - 13		26 - 8	YFG-31024-03-50	21 - 12	YFG-39070-26-50	30 - 15		34 - 13
Y04-00000-00-66	39 - 1		30 - 32	YF0-21765-01	23 - 21		38 - 3	YFG-39070-27	30 - 17	YF3-41503-45-90	31 - 8
Y04-00000-00-67	21 - 3	YF0-17545-06-14	21 - 5	YF1-21785-64-10	39 - 7	YFG-31026-79-10	34 - 15	YFG-39070-27-50	30 - 18	YF1-42789-20-10	18 - 30
Y04-00000-00-68	21 - 9		21 - 16	YF1-21816-30-80	18 - 20	YFG-31028-83-70	40 - 21	YFG-39070-27-60	30 - 19	YF1-43014-23-60	16 - 3
Y04-00000-00-73	40 - 10		21 - 21	YF1-21816-32-20	18 - 23	YFG-31028-84-10	40 - 8	YFG-39070-28-50	30 - 21	YF1-43017-47-80	23 - 18
Y04-00000-00-74	30 - 1		21 - 34	YF1-21826-32-90	18 - 12	YFG-31028-84-20	40 - 19		31 - 49	YF0-45125-00-50	15 - 10
Y04-00000-00-75	40 - 1		28 - 7	YF1-26910-70-44	7 - 11	YFG-31029-10-50	31 - 33		32 - 16	YF0-45125-00-60	12 - 17
YF0-10235-06-10	8 - 26		29 - 7	YF3-27215-82-03	27 - 1	YFG-31029-10-60	32 - 10	YFG-39070-29-40	30 - 25	YF0-45125-00-80	18 - 37
YF0-10235-06-12	8 - 8		31 - 55	YF3-27215-82-12	27 - 2	YFG-31110-24	30 - 2	YFG-39070-33	31 - 15		26 - 9
	10 - 13		34 - 11	YF3-27215-82-20	27 - 3	YFG-31110-32-12	31 - 1	YFG-39070-33-60	31 - 21	YF0-45125-01	23 - 22
YF0-10235-06-14	2 - 2		34 - 16	YF3-27215-82-42	27 - 11	YFG-31110-35-10	31 - 3	YFG-39070-33-80	31 - 43	YF0-45126-00-80	28 - 5
	8 - 15		35 - 4	YF3-27215-82-82	27 - 6	YFG-31110-38	31 - 2	YFG-39070-33-90	31 - 40	YF1-46010-34-50	3 - 10
YF0-10235-06-16	17 - 3		36 - 8	YF0-27515-00-60	4 - 26	YFG-31120-28-02	30 - 5	YFG-39070-34-10	32 - 9	YF1-46011-32-40	8 - 18
	19 - 4		37 - 3		22 - 4	YFG-31120-38-10	32 - 14	YFG-39070-34-80	32 - 22	YF1-46011-33-30	8 - 19
YF0-10235-06-18	4 - 13		37 - 8		33 - 4	YFG-31120-40-60	32 - 21	YFG-39070-37-80	32 - 20	YF1-46011-33-60	8 - 20
	4 - 29		37 - 11		37 - 5	YFG-31123-05-60	34 - 18	YFG-39070-39-70	30 - 29	YF1-46011-42-40	8 - 33
	25 - 4	YF0-17545-06-40	8 - 28	YF0-27515-00-80	21 - 14	YFG-31123-05-70	34 - 19	YFG-39070-39-80	31 - 51	YF1-46011-43-12	8 - 30



NUMERICAL INDEX

PART NO.	REF. NO.	PART NO.	REF. NO.	PART NO.	REF. NO.	PART NO.	REF. NO.	PART NO.	REF. NO.	PART NO.	REF. NO.
YF0-46110-04	23 - 19	YF1-52486-37	31 - 12	YF1-58215-20-30	17 - 1	YF1-58417-42-50	23 - 1	YF1-58419-88-60	14 - 29	YF1-62596-02-50	32 - 5
YF0-46120-01-70	10 - 11	YF1-52610-33-70	3 - 9	YF1-58410-45-40	7 - 13	YF1-58419-10-10	4 - 17	YF1-58419-88-70	14 - 29	YF1-62645-21-40	17 - 2
YF0-47170-13-20	1 - 16	YF1-52611-17-20	27 - 19		7 - 17	YF1-58419-10-50	6 - 6	YF1-58419-88-80	14 - 29	YF0-63115-50-20	1 - 15
YF0-47240-01-20	21 - 33	YF1-52612-13-30	7 - 23	YF1-58410-45-62	7 - 19	YF1-58419-15	12 - 15	YF1-58419-88-90	14 - 29	YF0-63313-50-12	16 - 7
	29 - 5	YF1-52614-20-10	12 - 18	YF1-58410-48-03	7 - 6	YF1-58419-15-10	22 - 3	YF1-58419-89	14 - 29	YF1-64156-56	32 - 6
YF0-48140-01-50	4 - 7	YF1-52615-54-70	10 - 8	YF1-58410-48-15	7 - 7	YF1-58419-23-20	12 - 16	YF1-58419-89-10	14 - 29	YF1-64755-32-80	14 - 23
YF0-48140-01-60	2 - 4	YF1-52616-64-10	15 - 9	YF1-58410-48-23	7 - 9	YF1-58419-23-30	11 - 11	YF1-58419-89-20	14 - 29	YF1-66119-20-20	18 - 29
YF0-48141-00-70	13 - 14	YF1-52619-20-20	11 - 3	YF1-58411-35-40	3 - 7	YF1-58419-40-22	8 - 25	YF1-58446-46-03	32 - 3	YF1-68057-28-60	22 - 1
YF0-48141-01-60	13 - 8	YF1-52619-60-10	1 - 5	YF1-58411-35-60	3 - 8	YF1-58419-40-40	14 - 24	YF1-58520-43-60	7 - 5	YF1-68057-28-70	22 - 2
YF0-48141-62-20	7 - 37		3 - 5	YF1-58411-40-36	8 - 31	YF1-58419-56-80	12 - 1	YF1-58527-33-40	20 - 5	YF1-68136-38-20	9 - 2
YF0-48145-03	2 - 8	YF1-52619-61-60	1 - 8	YF1-58411-42-30	8 - 32	YF1-58419-66-50	12 - 4	YF1-58527-35-23	20 - 2	YF1-68510-40-40	7 - 12
YF0-48145-06	4 - 6	YF1-52631-23-70	26 - 7	YF1-58411-62-70	8 - 7	YF1-58419-66-60	12 - 6	YF1-58527-35-50	20 - 3	YF1-68511-32-80	8 - 21
YF0-48170-00-60	16 - 21		28 - 3	YF1-58411-63-20	10 - 12	YF1-58419-81	14 - 28	YF1-58611-18-20	25 - 3	YF1-68511-51-10	8 - 2
YF1-49114-27-50	12 - 19		28 - 8	YF1-58412-32-50	7 - 35	YF1-58419-85-10	14 - 29	YF1-58611-42-64	8 - 23	YF1-68511-55-52	8 - 1
	16 - 13	YF1-52717-41-90	23 - 12	YF1-58412-41-10	7 - 32	YF1-58419-85-20	14 - 29	YF1-58612-23-14	7 - 27	YF1-68511-62-12	1 - 14
	16 - 19	YF1-52717-43-20	23 - 11	YF1-58413-56-60	6 - 7	YF1-58419-85-30	14 - 29	YF1-58612-29-73	7 - 27	YF1-68512-11-14	7 - 20
	21 - 29	YF1-52717-44-30	23 - 17	YF1-58413-69-30	4 - 10	YF1-58419-85-40	14 - 29	YF1-58612-29-83	7 - 27	YF1-68512-19-03	7 - 20
YF1-49586-30-50	18 - 19	YF1-53219-62-60	3 - 4	YF1-58414-25	14 - 2	YF1-58419-85-50	14 - 29	YF1-58612-34-74	7 - 34	YF1-68512-19-82	7 - 25
YF1-49586-30-60	18 - 14	YF3-53402-93-80	34 - 20	YF1-58414-25-20	14 - 3	YF1-58419-85-60	14 - 29	YF1-58612-34-84	7 - 14	YF1-68512-21-40	7 - 26
YF1-49586-31-70	18 - 21	YF5-53648-17-40	29 - 3	YF1-58415-13-20	12 - 3	YF1-58419-85-70	14 - 29		7 - 18	YF1-68513-21-10	2 - 3
YF1-49586-32-60	18 - 16	YF1-54016-33-90	18 - 17	YF1-58415-13-50	12 - 5	YF1-58419-85-80	14 - 29	YF1-58612-38-63	7 - 14	YF1-68513-50-12	6 - 4
YF1-49586-32-70	18 - 18	YF0-54110-03-14	13 - 13	YF1-58415-13-60	14 - 5	YF1-58419-85-90	14 - 29		7 - 18	YF1-68513-51-52	6 - 5
YF1-49586-33-80	18 - 3	YF0-54110-03-18	15 - 8	YF1-58415-31-60	14 - 22	YF1-58419-86	14 - 29	YF1-58612-38-73	7 - 14	YF1-68513-69-50	4 - 9
YF1-49586-34-80	18 - 4	YF0-54110-04-20	8 - 29	YF1-58415-31-70	14 - 20	YF1-58419-86-10	14 - 29		7 - 18	YF1-68515-11-50	10 - 3
YF1-49586-35-30	18 - 13	YF1-54519-62-70	1 - 4	YF1-58415-32-30	14 - 19	YF1-58419-86-20	14 - 29	YF1-58612-39-13	7 - 34	YF1-68515-36-10	14 - 25
YF1-49589-40-10	18 - 25	YF1-54817-30-50	20 - 4		14 - 29	YF1-58419-86-30	14 - 29	YF1-58612-39-23	7 - 34	YF1-68515-77-24	13 - 12
YF1-49589-40-20	18 - 26	YF1-55017-24-70	24 - 10	YF1-58415-33-50	14 - 21	YF1-58419-86-40	14 - 29	YF1-58619-66-50	12 - 8	YF1-68516-00-14	11 - 12
YF1-49589-40-30	18 - 27	YF1-55046-35	18 - 7	YF1-58415-36-22	14 - 26	YF1-58419-86-50	14 - 29	YF1-58624-25-02	14 - 1	YF1-68516-55-12	14 - 13
YF1-49589-40-40	18 - 28	YF1-55046-35-30	18 - 6	YF1-58415-38-50	14 - 10	YF1-58419-86-60	14 - 29	YF1-58752-40-15	8 - 10	YF1-68517-32-70	19 - 11
YF1-49714-27-50	14 - 4	YF0-55156-08	39 - 13	YF1-58415-38-60	14 - 11	YF1-58419-86-70	14 - 29	YF1-58752-42-50	8 - 14	YF1-68517-33-50	19 - 7
	16 - 16	YF1-55219-60-20	1 - 6	YF1-58415-40-92	11 - 1	YF1-58419-86-80	14 - 29	YF1-58752-42-84	8 - 11	YF1-68519-62-60	1 - 2
YF0-50120-05-08	1 - 9	YF1-55219-60-30	1 - 7	YF1-58415-41	11 - 2	YF1-58419-86-90	14 - 29	YF1-58752-43-20	8 - 13	YF1-68519-62-70	1 - 3
YF0-50120-06-08	7 - 3		4 - 2	YF1-58415-41-23	11 - 7	YF1-58419-87	14 - 29	YF1-58752-43-70	8 - 12	YF1-68532-10-50	7 - 21
YF0-50120-08-14	1 - 10	YF1-55317-24-10	24 - 2	YF1-58415-42-20	11 - 4	YF1-58419-87-10	14 - 29	YF1-58759-93-42	8 - 9	YF1-68532-10-90	7 - 21
YF1-50213-36-60	11 - 5	YF1-55317-24-22	24 - 5	YF1-58415-42-70	11 - 6	YF1-58419-87-20	14 - 29	YF1-58770-41-40	4 - 22	YF1-68610-40-50	7 - 16
YF3-50803-45-30	32 - 17	YF1-55317-24-32	24 - 6	YF1-58415-54-52	10 - 5	YF1-58419-87-30	14 - 29	YF1-58812-33-10	7 - 36	YF1-68610-70-54	7 - 15
	32 - 24	YF1-55332-51-62	9 - 3	YF1-58415-56-92	10 - 6	YF1-58419-87-40	14 - 29	YF1-58819-10-30	23 - 4	YF1-68612-30-12	7 - 29
YF1-51093-36-60	16 - 8	YF1-56019-66-50	11 - 9	YF1-58415-60-60	15 - 5	YF1-58419-87-50	14 - 29	YF1-60005-42-30	15 - 4	YF1-68616-55-60	14 - 15
YF1-52210-17-50	3 - 1		14 - 6	YF1-58415-61-12	13 - 6	YF1-58419-87-60	14 - 29	YF1-60015-30-02	14 - 18	YF1-68617-42-85	23 - 3
YF1-52211-17-20	27 - 18	YF1-56917-32-60	19 - 10	YF1-58415-61-30	15 - 6	YF1-58419-87-70	14 - 29	YF1-60015-39-04	14 - 16	YF1-68632-30-32	7 - 28
YF1-52213-36-50	1 - 11	YF1-56942-34-82	7 - 4	YF1-58415-61-50	15 - 7	YF1-58419-87-80	14 - 29	YF1-60065-10-12	12 - 2	YF1-68641-20-10	26 - 1
YF1-52213-90-13	6 - 10	YF1-56942-39-32	7 - 4	YF1-58415-62-33	15 - 11	YF1-58419-87-90	14 - 29	YF1-60065-20-92	12 - 10	YF1-68641-60-15	8 - 3
YF1-52215-12-10	17 - 4	YF1-56942-39-42	7 - 4	YF1-58415-62-80	4 - 3	YF1-58419-88	14 - 29	YF1-60065-21-12	12 - 11	YF1-68641-65-10	8 - 5
YF1-52218-82-10	4 - 25	YF1-56946-59-90	32 - 4	YF1-58415-64-80	15 - 1	YF1-58419-88-10	14 - 29	YF1-60065-21-22	12 - 12	YF1-68665-73-02	13 - 16
YF1-52317-47-70	23 - 14	YF0-57120-04-08	6 - 8	YF1-58415-71-12	13 - 5	YF1-58419-88-20	14 - 29	YF1-60309-60-10	12 - 7	YF1-68669-20-10	13 - 10
YF1-52413-20-94	6 - 1	YF0-57120-05-15	7 - 33	YF1-58415-72-12	13 - 1	YF1-58419-88-30	14 - 29	YF1-62417-33-70	5 - 5	YF1-68710-33-13	3 - 11
YF1-52413-22-90	4 - 8		10 - 4	YF1-58417-29-23	19 - 3	YF1-58419-88-40	14 - 29		19 - 2	YF1-68710-41-30	4 - 12
YF1-52486-35-90	31 - 10	YF0-57120-05-18	8 - 6	YF1-58417-29-60	22 - 5	YF1-58419-88-50	14 - 29	YF1-62593-29	4 - 5	YF1-68711-44-30	8 - 24

NUMERICAL INDEX

PART NO.	REF. NO.	PART NO.	REF. NO.	PART NO.	REF. NO.	PART NO.	REF. NO.	PART NO.	REF. NO.	PART NO.	REF. NO.
YF1-68711-60-22	10 - 1	YF6-79808-25-30	27 - 5	YF0-93188-90-33	21 - 24	YF1-G2921-24-02	28 - 4				
YF1-68712-13-10	7 - 22	YF6-79808-25-80	27 - 9	YF0-93188-90-45	21 - 23	YF1-G2926-55-62	33 - 5				
YF1-68717-34-30	20 - 6	YF1-81009-11-50	30 - 26	YF1-94615-64-10	15 - 2	YF1-G2926-55-70	33 - 6				
YF1-68719-10-50	13 - 3	YF1-81060-34-80	30 - 6	YF1-94618-33-40	4 - 23	YF1-G2927-20-60	21 - 1				
YF1-68719-10-60	12 - 14	YF1-81070-34-80	30 - 9	YF1-94618-81-32	4 - 24	YF1-G2927-22-60	21 - 15				
YF1-68719-73	10 - 10	YF0-81530-62-03	10 - 2	YF1-94833-31-23	4 - 28	YF1-G2927-29-50	21 - 17				
YF1-68730-10-23	1 - 1	YF1-84000-34-10	31 - 5	YF1-96169-20-10	18 - 33	YF1-G2927-41-50	23 - 6				
YF1-68757-27-04	19 - 1	YF1-84100-55	31 - 27	YF0-96614-02-40	16 - 15	YF1-G3043-64-10	6 - 2				
YF1-68785-77-42	13 - 11		31 - 29	YF0-96618-01-80	16 - 12	YF1-G3134-35-60	16 - 26				
YF1-68785-79-20	13 - 15	YF1-84310-32-50	31 - 13	YF0-96618-03-40	16 - 18	YF1-G3134-35-70	16 - 27				
YF1-69201-24-10	28 - 10	YF1-84906-13-50	31 - 9	YF0-96618-05	21 - 28	YF1-G3134-35-80	16 - 23				
YF1-69201-24-30	28 - 11	YF1-85869-19-60	31 - 50	YF1-96829-80-62	4 - 27	YF1-G3134-36-50	16 - 25				
YF1-69700-26-10	30 - 12	YF1-86598-70-70	30 - 30	YF1-97019-70-10	23 - 5	YF1-G3181-23-50	26 - 2				
YF1-69701-05-60	30 - 4	YF1-88062-01-80	31 - 30	YF1-98397-24-40	24 - 9	YF1-G6393-28-80	4 - 4				
YF1-69709-10-30	30 - 23	YF1-88070-26-60	30 - 7	YF6-A1003-11-60	18 - 2	YF1-G6395-71-50	13 - 9				
	31 - 26	YF1-88071-05-90	32 - 11	YF6-A1003-11-70	18 - 5	YF1-G6860-30-43	3 - 3				
YF1-69726-04-20	30 - 8	YF1-88071-16-60	30 - 22	YF6-A1003-11-90	18 - 10	YF1-G6861-31-10	8 - 16				
YF1-69976-05	31 - 4	YF1-88130-43-90	30 - 20	YF6-A1008-25-30	27 - 4	YF1-G6861-31-20	8 - 17				
YF1-71473-33-90	29 - 2		31 - 25	YF6-A1008-25-50	27 - 7	YF1-G6865-37-10	14 - 7				
YF1-71476-06-04	32 - 2	YF1-88219-10-30	31 - 35	YF6-A1008-25-70	27 - 8	YF1-G6865-37-20	14 - 8				
YF6-71565-88-32	24 - 8	YF6-88414-43-40	9 - 9	YF6-C0405-54-12	31 - 11	YF1-G6865-37-30	14 - 9				
YF1-72147-20-20	21 - 2	YF1-89010-40-60	31 - 41	YF6-C0405-55-90	40 - 17	YF1-G6872-20-10	7 - 24				
	21 - 20		32 - 19	YF6-C0609-94-10	27 - 10	YF1-G6877-33-62	19 - 8				
YF1-73116-32-80	18 - 22	YF1-89015-06-30	40 - 12	YFR-C4114-23-10	21 - 19	YF1-G7005-21-60	12 - 13				
YF1-73315-91-90	1 - 12	YF1-89015-09	40 - 2	YFR-C4114-28-60	24 - 7	YF1-G7005-22	12 - 9				
	1 - 13	YF1-89015-13-50	40 - 14	YF1-E0517-30-34	20 - 1	YF3-G7041-73-90	24 - 4				
YF1-74467-49-40	23 - 20	YF1-89080-26-50	30 - 10	YF1-E2504-30-10	16 - 20	YF1-G8010-51-20	5 - 7				
YF1-74563-64-20	6 - 3	YF1-89131-58-30	30 - 24	YF1-E2504-31	16 - 22	YF1-G8269-20-32	14 - 17				
YF1-74725-60-56	15 - 3		32 - 13	YF1-E2508-84-30	16 - 24	YF1-G9110-52-03	5 - 6				
YF1-74786-02-20	32 - 7	YF1-89613-00-30	39 - 6	YF1-G0219-66-50	11 - 10	YF1-G9119-10-22	5 - 10				
YF1-74787-02	31 - 7	YF1-89613-12-10	34 - 12	YF1-G0315-42-10	11 - 8	YF1-G9580-55-13	5 - 1				
YF1-74850-16-20	2 - 6	YF1-89613-12-70	39 - 11	YF1-G0909-60-10	3 - 6	YF1-G9581-17-70	25 - 1				
YF1-75290-40-25	4 - 1	YF1-89613-13-10	34 - 10	YF1-G2913-32-10	29 - 1	YF1-G9581-43-50	8 - 27				
YF1-75297-49-50	23 - 13	YF1-89613-24-20	39 - 9	YF1-G2913-37-40	29 - 4	YF1-G9581-45-04	5 - 3				
YF1-75388-30-40	19 - 13	YF1-89615-13-50	40 - 15	YF1-G2914-10-12	16 - 1	YF1-G9581-45-12	5 - 4				
YF1-75615-70-13	13 - 4	YF1-89633-32-90	33 - 3	YF1-G2914-10-32	16 - 4	YF1-G9581-45-20	5 - 9				
YF1-75639-10-10	4 - 21	YF1-90775-36-50	14 - 27	YF1-G2914-13-42	16 - 5	YF1-G9600-55-50	25 - 2				
YF1-75947-43-30	23 - 15	YFE-91513-31-40	2 - 7	YF1-G2914-17-10	16 - 2	YFH-H1503-20-94	6 - 1				
YF1-75947-44-30	23 - 16		5 - 11	YF1-G2917-28-50	21 - 25	YF1-J0019-67-70	5 - 12				
YF0-77150-04-01	8 - 4	YF1-92029-10-10	13 - 17	YF1-G2917-29-40	21 - 22	YF1-J0020-70-90	7 - 1				
YF0-77150-08-01	10 - 7		13 - 18	YF1-G2917-31-70	21 - 31	YF1-J0909-10-10	26 - 3				
YF0-77150-32-07	7 - 30		13 - 22	YF1-G2917-49	23 - 10	YF1-K1901-12-50	27 - 14				
YF0-77150-32-11	4 - 11	YF1-92037-30-14	19 - 9	YF1-G2917-51-10	38 - 5	YF1-K1922-50-10	9 - 1				
YF0-77150-32-17	10 - 9	YF1-92152-32-80	7 - 31	YF1-G2920-15	2 - 1	YF1-K1925-71-03	13 - 20				
YF6-79555-86-30	21 - 18	YF1-92159-91-60	7 - 8	YF1-G2920-46-10	9 - 4	YF1-K1925-71-10	13 - 21				
	21 - 26	YF1-92805-72-40	13 - 7	YF1-G2921-16-20	27 - 17	YF1-K5914-28-50	24 - 3				
YF6-79803-11-50	18 - 1	YF0-93188-81-25	5 - 2	YF1-G2921-16-40	27 - 20	YF1-K5917-24	24 - 1				
YF6-79803-11-80	18 - 9	YF0-93188-90-30	21 - 27	YF1-G2921-21-10	28 - 1	YFR-P2015-39-20	32 - 18				