



PARTS CATALOGUE

EDL7000SDE (Q9CN) USA, CSA



1L9CN-110E1

()

EDL7000SDE
PARTS CATALOGUE
©2013 by Yamaha Motor Co., Ltd.
1st edition, June 2013
All rights reserved.
Any reprinting or unauthorized use
without the written permission of
Yamaha Motor Co., Ltd.
is expressly prohibited.
Printed in Japan.

FOREWORD

This Parts Catalogue is related to the parts for the model(s) on the cover page. When you are ordering replacement parts, please refer to this Parts Catalogue and quote both part numbers and part names correctly.

1. Modifications or additions which have been made after the issue of the Parts Catalogue will be announced in the Parts News.

It is advisable that you make the necessary corrections to the Parts Catalogue according to the Parts News.

2. Abbreviations

The following abbreviations are used in this Parts Catalogue.

“UR” Use specified parts number.

“UN” Use as many as needed.

“AP” Alternate Parts

“LM” Locally Made (Parts need to be ordered locally)

“F#” Frame No. (Applicable machine No.)

“O/S” Over Size

3. The number of components for assembly

- Parts, which are to be supplied in an assembly, are listed with a dot (.) in front of the part name as shown below.
- The numeral appearing to the right of each component part indicates the quantity of parts for each assembly unit.

PART NO.	DESCRIPTION	Q'TY	REMARKS
2F5-83310-60	FRONT FLASHER LIGHT ASSY	2	
115-83311-60	.BULB (6V-18W)	1	

4. Applicable colours of graphics are represented in the “REMARKS” as shown below.

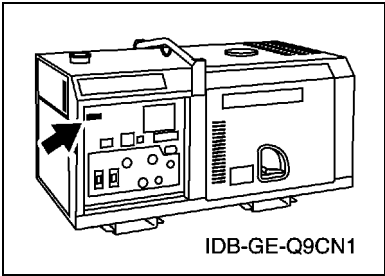
PART NO.	DESCRIPTION	Q'TY	REMARKS
2N4-24110-00-X5	FUEL TANK COMP.	2	MXR
3J1-24240-10	.GRAPHIC, FUEL TANK	1	FOR MXR

5. Note that the illustrations for reference in finding parts numbers are not to be used for assembling. When assembling, please use the applicable service manual.

6. The asterisk (*) before a reference number indicates modified items after the first edition.

FOREWORD

7. Applicable Serial No.
 Frame Serial No.



8. Applicable Colour Code (The (*) mark shows Model colour.)

Abbreviation	Colour Name	Colour Code

9. Applicable Starting Serial No.
 *****Serial NO.

Model	Model Code	Destination	Voltage	Serial NO.
EDL7000SDE	Q9CN	USA, CSA	120V/240V-60Hz	Q9CN-0010101

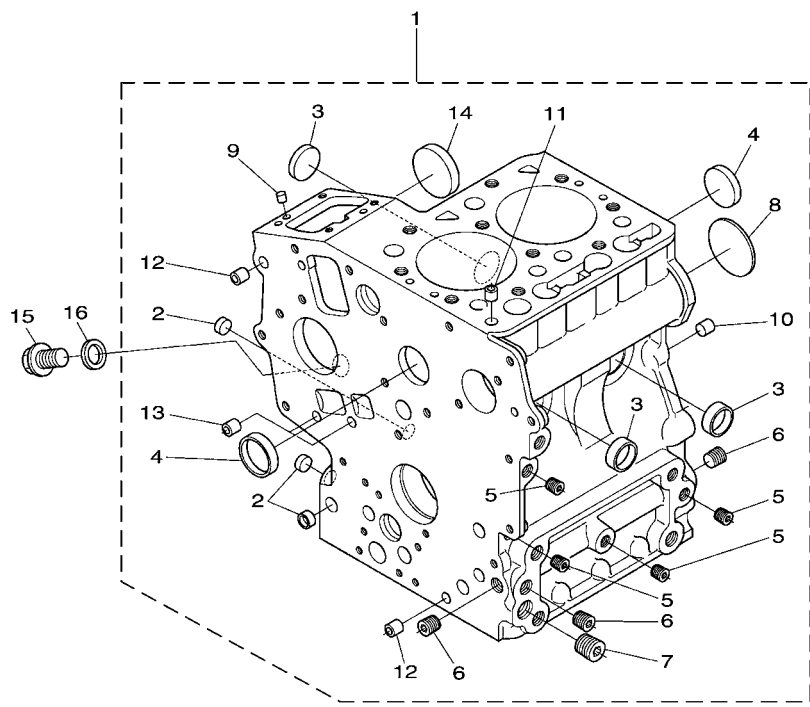
CONTENTS

CRANKCASE	1
OIL PAN	2
CYLINDER HEAD	3
CRANKCASE COVER	4
CYLINDER HEAD COVER	6
OIL CLEANER	7
CRANKSHAFT & PISTON	8
CAMSHAFT & IDLE GEAR	10
FLYWHEEL HOUSING	12
GOVERNOR 1	13
GOVERNOR 2	14
FUEL INJECTION PUMP	15
THROTTLE LEVER	16
NOZZLE HOLDER ASSY	17
GOVERNOR	20
FUEL TANK	21
FUEL PUMP	22
STARTER	23
COOLING	24
WATER PUMP	25
RADIATOR & HOSE	26
COOLING PIPE	28
COOLING SYSTEM	29
RESERVE TANK	30
INTAKE MANIFOLD	31
EXHAUST 1	32
AIR CLEANER	33
EXHAUST 2	34
OIL DRAIN PIPING	35
GENERATOR	36
CONTROL BOX 1	38
CONTROL BOX 2	40
BATTERY TRAY	41
PANEL BODY	42
FRAME 1	43
FRAME 2	44
FRAME 3	45
FRAME 4	46
FRAME 5	47
LABELS	48

INDEX

NUMERICAL INDEX	49
-----------------------	----

FIG. 1 CRANKCASE



REF. NO.	PART NO.	DESCRIPTION	Q9CN				REMARKS
1	YF1-68530-10-22	CRANKCASE COMP.	1				
2	YF1-68519-62-60	.PLUG,EXPANSION 1	3				
3	YF1-68519-62-70	.PLUG,EXPANSION 2	3				
4	YF1-54519-62-70	.PLUG,EXPANSION	2				
5	YF1-52619-60-10	.PLUG	4				
6	YF1-55219-60-20	.PLUG	3				
7	YF1-55219-60-30	.PLUG	1				
8	YF1-52619-61-60	.PLUG	1				
9	YF0-50120-05-08	.PIN	2				
10	YF0-50120-08-14	.PIN	2				
11	YF1-52213-36-50	.PIN,PIPE	1				
12	YF1-73315-91-90	.PIN,PIPE	2				
13	YF1-73315-91-90	.PIN,PIPE	2				
14	YF1-68511-62-12	.COVER,FUEL CAM SHAFT	1				
15	YF0-63115-50-20	PLUG	1				
16	YF0-47170-13-20	WASHER,SEAL	1				


 Q9CN110-L010

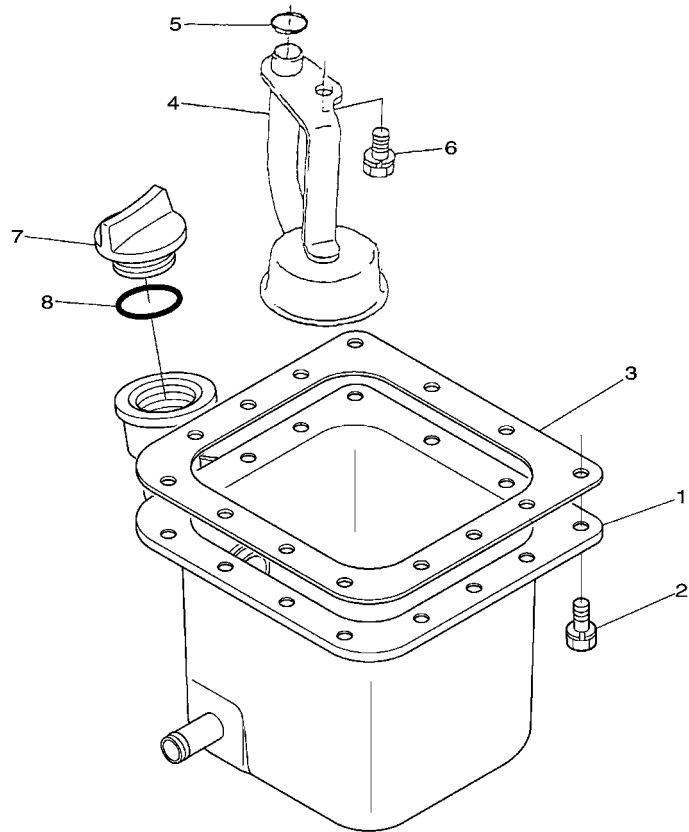
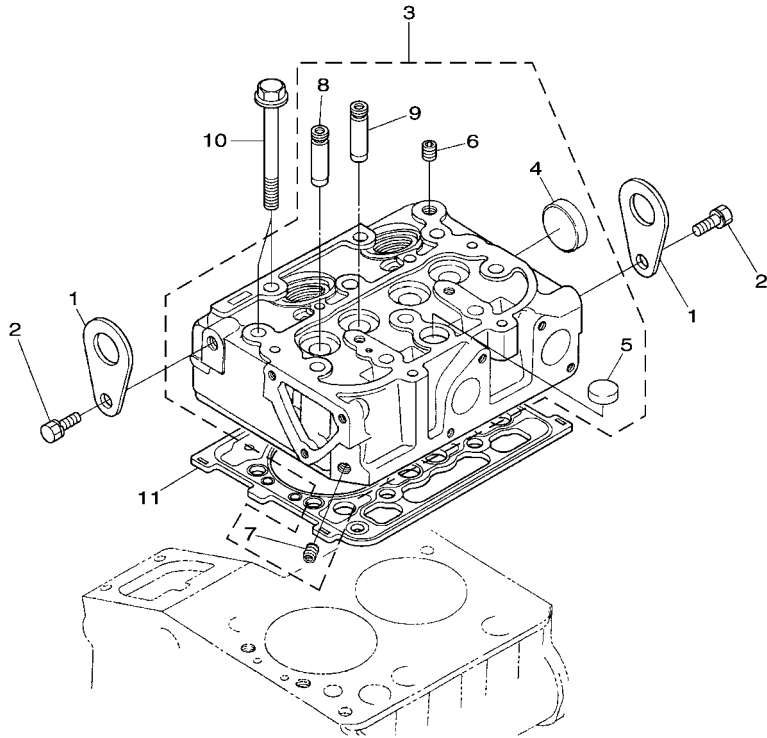


FIG. 2 OIL PAN

REF. NO.	PART NO.	DESCRIPTION	Q9CN				REMARKS
1	YF1-G2910-15	OIL PAN COMP.	1				
2	YF0-10235-06-14	BOLT	14				
3	YF1-G2910-16-20	GASKET,OIL PAN	1				
4	YF1-68513-21-10	OIL FILTER 1	1				
5	YF0-48140-01-60	O-RING	1				
6	YF0-11235-08-14	BOLT,WITH WASHER	1				
7	YFE-91513-31-40	PLUG	1				
8	YF0-48145-03	O-RING	1				


 Q9CN110-L020

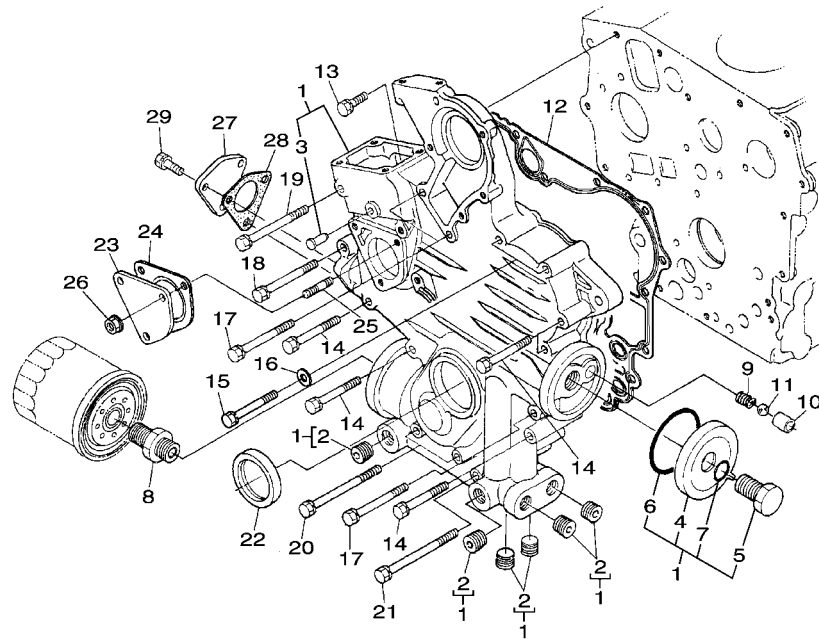
FIG. 3 CYLINDER HEAD



REF. NO.	PART NO.	DESCRIPTION	Q9CN				REMARKS
1	YF1-52210-17-50	HOOK,ENGINE	2				
2	YF0-11235-08-16	BOLT	2				
3	YF1-G6890-30-42	CYLINDER HEAD COMP.	1				
4	YF1-53219-62-60	.PLUG,EXPANSION	1				
5	YF1-52610-33-70	.PLUG,EXPANSION	1				
6	YF1-58419-60-20	.PLUG	1				
7	YF1-52619-60-10	.PLUG	1				
8	YF1-58411-35-40	.GUIDE,INLET VALVE	2				
9	YF1-58411-35-60	.GUIDE,EXHAUST VALVE	2				
10	YF1-46010-34-50	BOLT,HEAD	10				
11	YF1-68510-33-12	GASKET,CYLINDER HEAD	1				



Q9CN110-L030



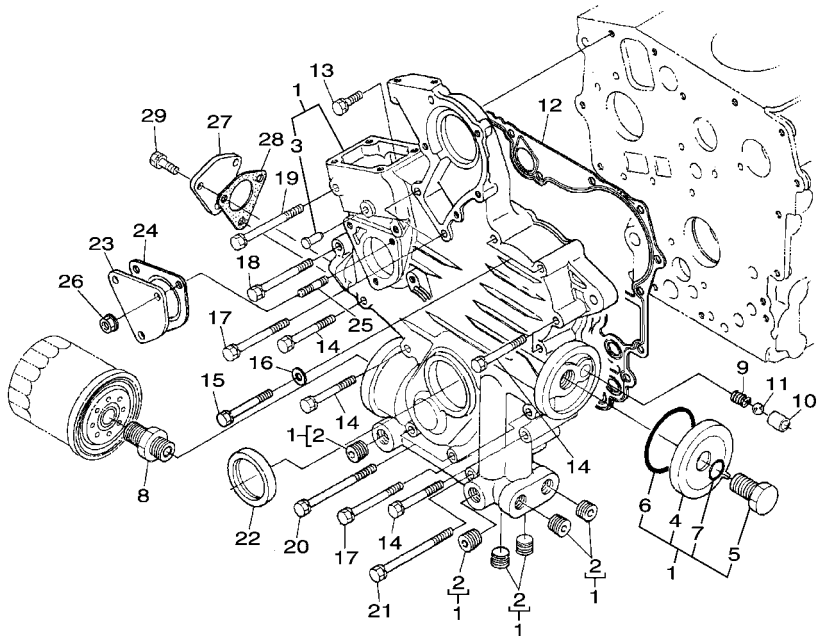

 Q9CN110-L040

FIG. 4 CRANKCASE COVER

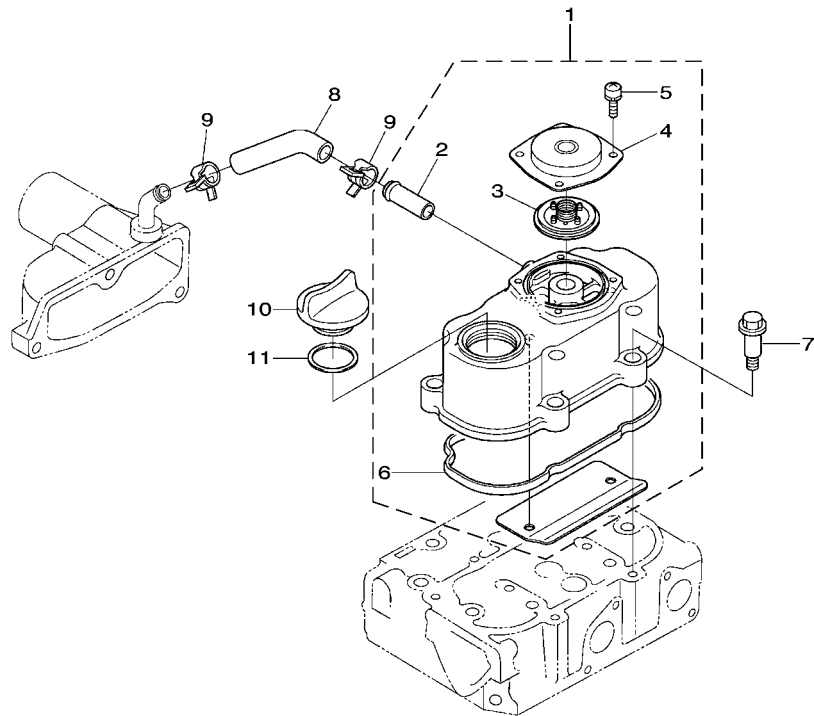
REF. NO.	PART NO.	DESCRIPTION	Q9CN				REMARKS
1	YF1-75290-40-25	GEAR CASE COMP.	1				
2	YF1-55219-60-30	.PLUG	8				
3	YF1-58415-62-80	.PIN,START SPRING	1				
4	YF1-G6393-28-80	.COVER	1				
5	YF1-62593-29	.BOLT	1				
6	YF0-48145-06	.O-RING	1				
7	YF0-48140-01-50	.O-RING	1				
8	YF1-52413-22-90	NIPPLE	1				
9	YF1-68513-69-50	SPRING	1				
10	YF1-58413-69-30	SEAT,VALVE	1				
11	YF0-77150-32-11	BALL	1				
12	YF1-68710-41-30	GASKET,GEAR CASE	1				
13	YF0-10235-06-18	BOLT	1				
14	YF0-10235-06-50	BOLT	5				
15	YF0-10235-06-55	BOLT	2				
16	YF0-40135-00-60	WASHER,PLATE	2				
17	YF1-58419-10-10	BOLT	3				
18	YF0-10235-06-60	BOLT	1				
19	YF0-10235-06-70	BOLT	1				
20	YF0-10235-06-80	BOLT	2				
21	YF1-75639-10-10	BOLT	1				
22	YF1-58770-41-40	OIL SEAL	1				
23	YF1-94618-33-40	COVER	1				
24	YF1-94618-81-32	PACKING	1				
25	YF1-52218-82-10	STUD	3				
26	YF0-27515-00-60	NUT,FLANGE	3				
27	YF1-96829-80-62	COVER	1				

FIG. 4 CRANKCASE COVER

REF. NO.	PART NO.	DESCRIPTION	Q9CN				REMARKS
28	YF1-94833-31-23	PACKING,FLANGE	1				
29	YF0-10235-06-18	BOLT	3				



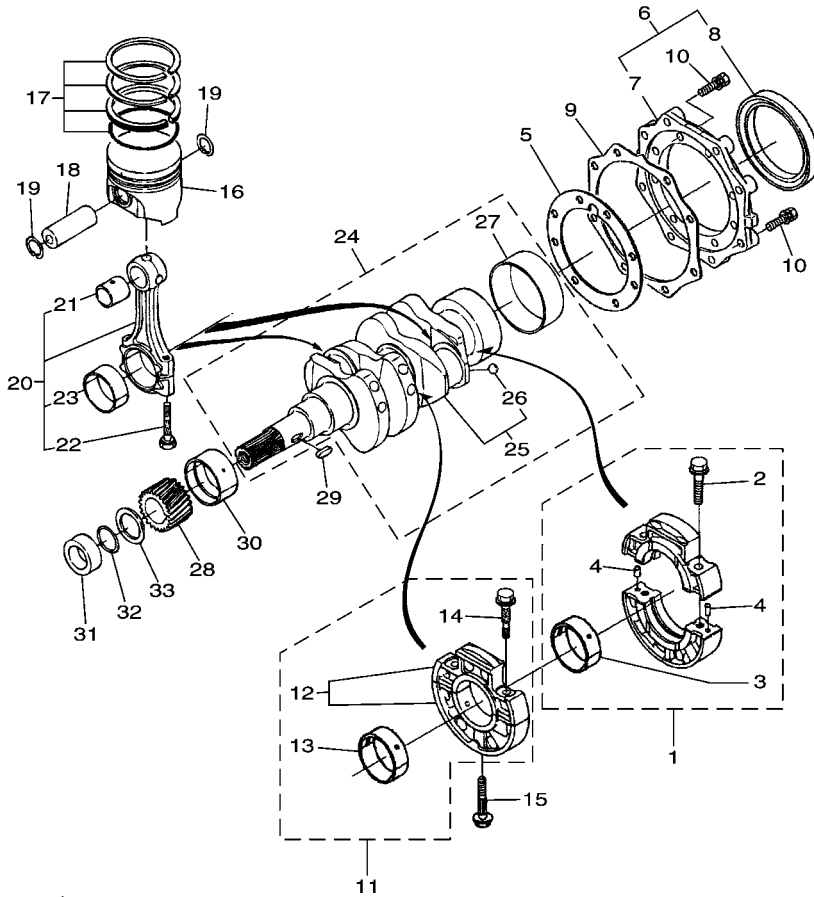
Q9CN110-L040




 Q9CN110-L050

FIG. 5 CYLINDER HEAD COVER

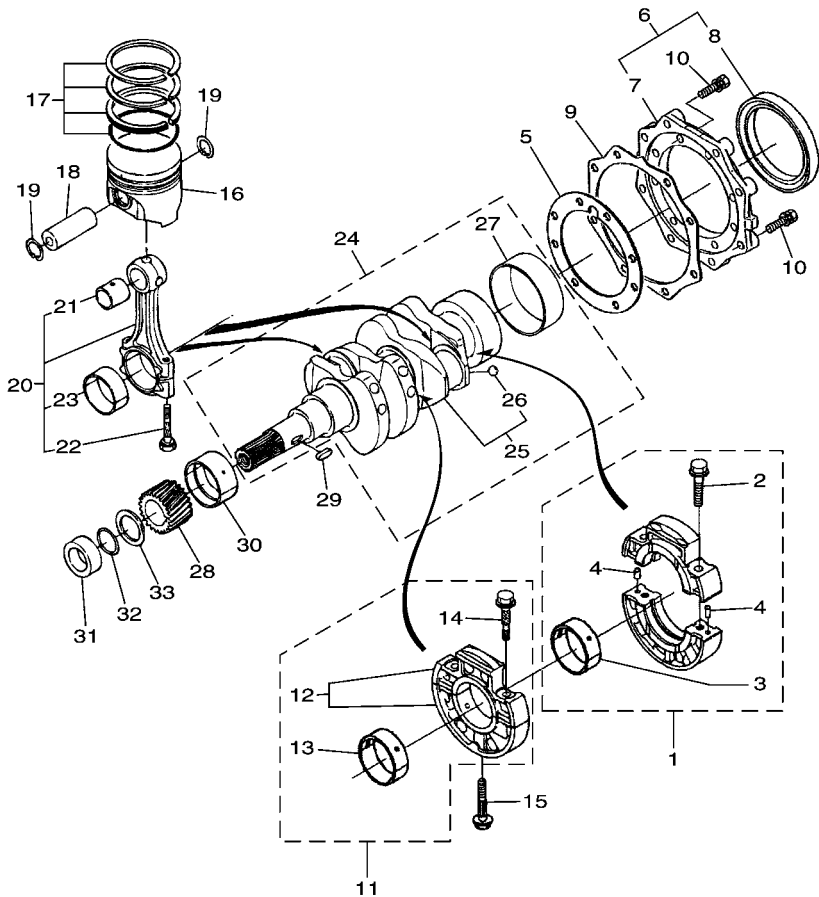
REF. NO.	PART NO.	DESCRIPTION	Q9CN			REMARKS
1	YF1-G9571-45-04	CYLINDER HEAD COVER ASSY	1			
2	YF1-62417-33-70	.PIPE,WATER RETURN	1			
3	YF1-G9110-52-03	.BREATHER VALVE COMP.	1			
4	YF1-G8010-51-20	.COVER,BREATHER	1			
5	YF0-30245-05-10	.SCREW,WITH WASHER	4			
6	YF1-G9571-45-20	.GASKET,HEAD COVER	1			
7	YF1-G9119-10-22	BOLT	4			
8	YF1-G9600-55-13	TUBE(BREATHER)	1			
9	YF0-93188-81-25	CLAMP,HOSE	2			
10	YFE-91513-31-40	PLUG	1			
11	YF1-J0019-67-70	O RING	1			



Q9CN110-L070

FIG. 7 CRANKSHAFT & PISTON

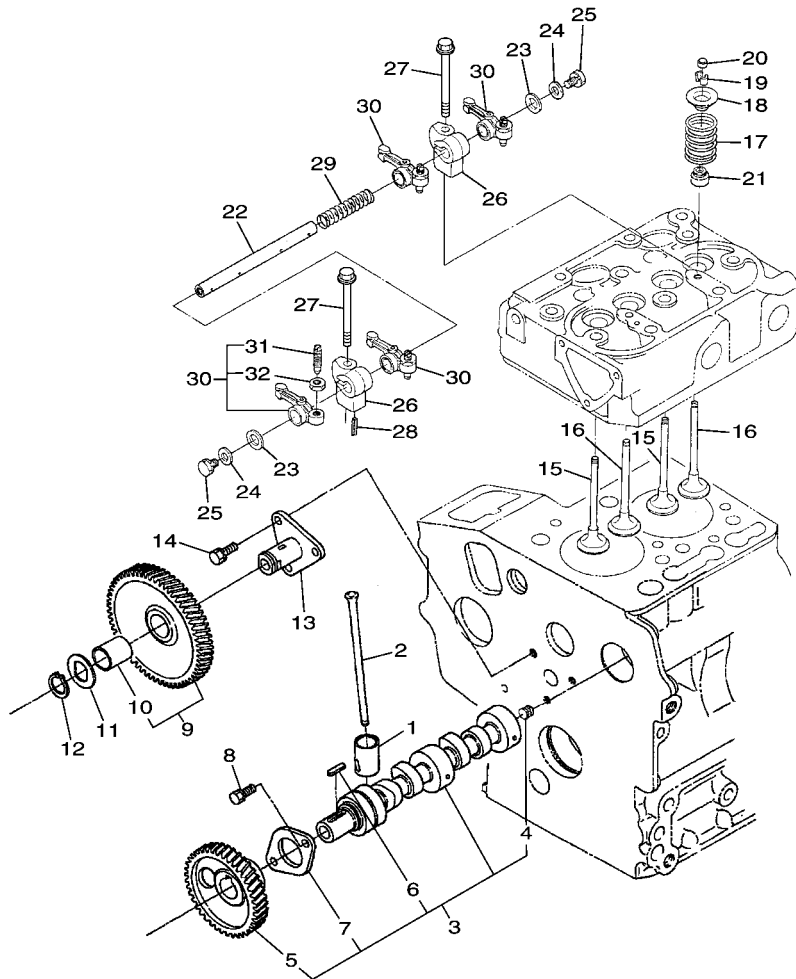
REF. NO.	PART NO.	DESCRIPTION	Q9CN				REMARKS
1	YF1-J0020-70-90	WHEEL BEARING CASE ASSY	1				
2	YF0-17545-08-40	.BOLT, FLANGE	2				
3	YF1-56942-34-82	.METAL,CRANKSHAFT (STD)	1				
	YF1-56942-39-32	.METAL,CRANKSHAFT (0.20MM U/S)	1				AP
	YF1-56942-39-42	.METAL,CRANKSHAFT (0.40MM U/S)	1				AP
4	YF0-50120-06-08	.PIN, STRAIGHT	2				
5	YF1-58520-43-60	PACKING,BEARING CASE	1				
6	YF1-58410-48-03	BEARING COVER ASSY	1				
7	YF1-58410-48-15	.COVER,BEARING CASE	1				
8	YF1-92159-91-60	.OIL SEAL	1				
9	YF1-58410-48-23	GASKET,CASE COVER	1				
10	YF0-10235-06-22	BOLT	16				
11	YF1-26910-70-44	BEARING CASE ASSY	1				
12	YF1-68510-40-40	.MAIN BEARING CASE ASSY	1				
13	YF1-58612-34-84	.METAL,CRANKSHAFT (STD)	1				
	YF1-58612-38-63	.METAL,CRANKSHAFT (0.20MM U/S)	1				AP
	YF1-58612-38-73	.METAL,CRANKSHAFT (0.40MM U/S)	1				AP
14	YF1-58410-45-40	.BOLT,BEARING CASE 1	2				
15	YF1-58410-45-62	BOLT,BEARING CASE 2	1				
16	YF1-68512-11-14	PISTON (STD)	2				
	YF1-68512-19-03	PISTON (0.25MM O/S)	2				AP
17	YF1-68532-10-50	PISTON RING ASSY (STD)	2				
	YF1-68532-10-90	PISTON RING ASSY(0.25MM O/S)	2				AP
18	YF1-68712-13-10	PIN,PISTON	2				
19	YF1-52612-13-30	CIRCLIP,PISTON PIN	4				
20	YF1-G6872-20-10	CONNECTING ROD ASSY	2				
21	YF1-68512-19-82	.BUSHING, PISTON PIN	1				



Q9CN110-L070

FIG. 7 CRANKSHAFT & PISTON

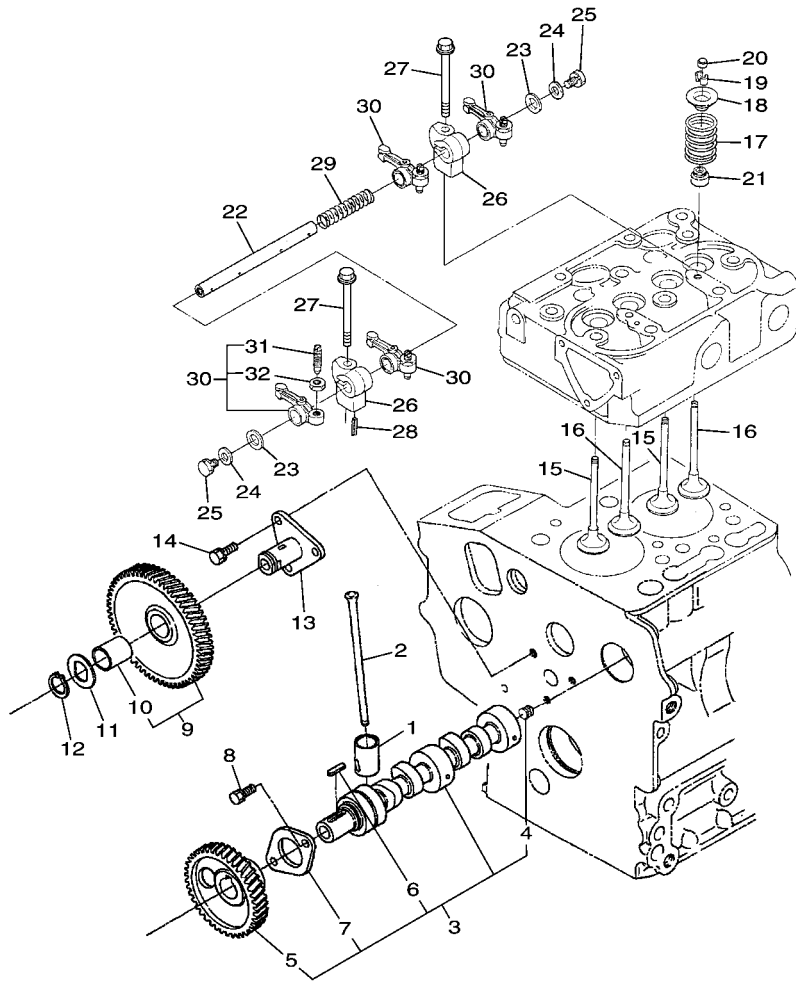
REF. NO.	PART NO.	DESCRIPTION	Q9CN				REMARKS
22	YF1-68512-21-40	.BOLT,CONNECTING ROD	2				
23	YF1-58612-23-14	.METAL,CRANKPIN (STD)	1				
	YF1-58612-29-73	.METAL,CRANKPIN (0.20MM U/S)	1				AP
	YF1-58612-29-83	.METAL,CRANKPIN (0.40MM U/S)	1				AP
24	YF1-68532-30-33	CRANKSHAFT ASSY	1				
25	YF1-68512-30-13	.CRANKSHAFT COMP.	1				
26	YF0-77150-32-07	..BALL	2				
27	YF1-92152-32-80	.SLEEVE,CRANK SHAFT	1				
28	YF1-58412-41-10	GEAR,CRANK	1				
29	YF0-57120-05-15	KEY	1				
30	YF1-58612-34-74	METAL,CRANKSHAFT (STD)	1				
	YF1-58612-39-13	METAL,CRANKSHAFT (0.20MM U/S)	1				AP
	YF1-58612-39-23	METAL,CRANKSHAFT (0.40MM U/S)	1				AP
31	YF1-58412-32-50	COLLAR,CRANKSHAFT	1				
32	YF1-58812-33-10	OIL SLINGER,CRANKSAFT	1				
33	YF0-48141-62-20	O-RING	1				




 Q9CN110-L080

FIG. 8 CAMSHAFT & IDLE GEAR

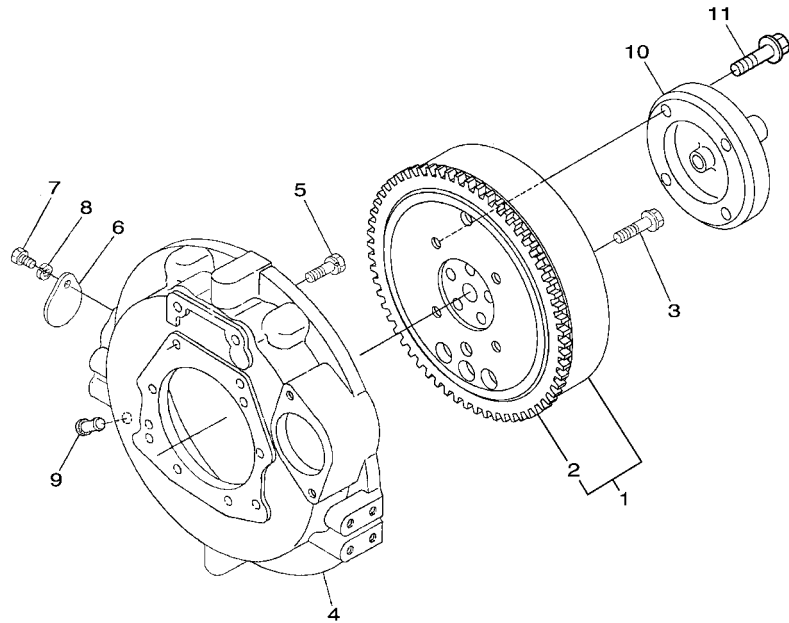
REF. NO.	PART NO.	DESCRIPTION	Q9CN				REMARKS
1	YF1-68511-55-52	TAPPET	4				
2	YF1-68511-51-10	PUSH ROD	4				
3	YF1-58411-61-20	CAMSHAFT ASSY	1				
4	YF0-77150-04-01	.BALL	1				
5	YF1-68641-65-10	.GEAR,CAM	1				
6	YF0-57120-05-18	.KEY	1				
7	YF1-58411-62-70	.STOPPER,CAM SHAFT	1				
8	YF0-10235-06-12	BOLT	2				
9	YF1-58752-40-15	IDLE GEAR COMP.	1				
10	YF1-58752-42-84	.BUSH	1				
11	YF1-58752-43-70	COLLAR,IDLE GEAR 2	1				
12	YF1-58752-43-20	RING SET,IDLE GEAR	1				
13	YF1-58752-42-50	SHAFT,IDLE GEAR	1				
14	YF0-10235-06-14	BOLT	3				
15	YF1-G6861-31-10	VALVE,INLET	2				
16	YF1-G6861-31-20	VALVE,EXHAUST	2				
17	YF1-46011-32-40	SPRING,VALVE	4				
18	YF1-46011-33-30	RETAINER VALVE SPRING	4				
19	YF1-46011-33-60	LOCK,VALVE	8				
20	YF1-68511-32-80	CAP,VALVE	4				
21	YF1-14201-31-50	SEAL,VALVE STEM	4				
22	YF1-58411-42-64	SHAFT,ROCKER ARM	1				
23	YF1-68711-44-30	WASHER,ROCKER ARM SHAFT	2				
24	YF1-58419-40-22	WASHER,PLATE	2				
25	YF0-10235-06-10	BOLT	2				
26	YF1-G9581-43-50	BRACKET,ROCKER ARM	2				
27	YF0-17545-06-40	BOLT,FLANGE	2				



Q9CN110-L080

FIG. 8 CAMSHAFT & IDLE GEAR

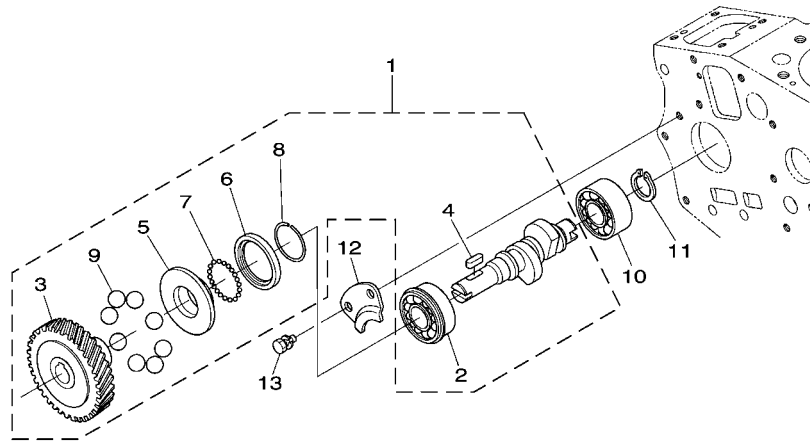
REF. NO.	PART NO.	DESCRIPTION	Q9CN				REMARKS
28	YF0-54110-04-20	PIN,SPRING	1				
29	YF1-46011-43-12	SPRING,ROCKER ARM	1				
30	YF1-58411-40-36	ROCKER ARM ASSY	4				
31	YF1-58411-42-30	.SCREW,ADJUSTING	1				
32	YF1-46011-42-40	.NUT	1				
<hr style="border-top: 1px dashed black;"/>							
<hr style="border-top: 1px dashed black;"/>							
<hr style="border-top: 1px dashed black;"/>							
<hr style="border-top: 1px dashed black;"/>							
<hr style="border-top: 1px dashed black;"/>							
<hr style="border-top: 1px dashed black;"/>							
<hr style="border-top: 1px dashed black;"/>							
<hr style="border-top: 1px dashed black;"/>							
<hr style="border-top: 1px dashed black;"/>							
<hr style="border-top: 1px dashed black;"/>							




 Q9CN110-L090

FIG. 9 FLYWHEEL HOUSING

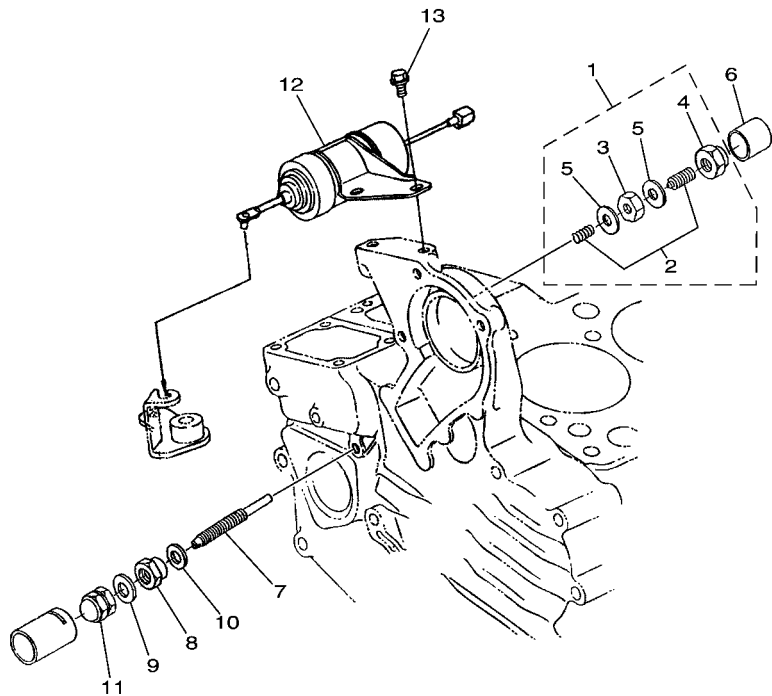
REF. NO.	PART NO.	DESCRIPTION	Q9CN				REMARKS
1	YF1-G2912-50-13	FLYWHEEL COMP.	1				
2	YF1-68716-38-20	.GEAR,RING	1				
3	YF1-55332-51-62	BOLT,FLYWHEEL	5				
4	YF1-G2910-46-10	HOUSING,FLYWHEEL	1				
5	YF0-11235-08-20	BOLT	10				
6	YF3-12201-41-70	COVER	1				
7	YF0-11236-08-14	BOLT	1				
8	YF0-40135-00-80	WASHER,PLATE	1				
9	YF6-88414-43-40	CAP	1				
10	YF1-G2918-45-22	SHAFT,PTO	1				
11	YF0-17745-10-40	BOLT, FLANGE	4				




 Q9CN110-L100

FIG. 10 GOVERNOR 1

REF. NO.	PART NO.	DESCRIPTION	Q9CN				REMARKS
1	YF1-G4601-60-20	FUEL CAMSHAFT ASSY	1				
2	YF0-81530-62-03	.BEARING,BALL	1				
3	YF1-68515-11-50	.GEAR,INJECTION PUMP	1				
4	YF0-57120-05-15	.KEY	1				
5	YF1-58415-54-52	.SLEEVE,GOVERNOR	1				
6	YF1-58415-56-92	.CASE,GOVERNOR BALL	1				
7	YF0-77150-08-01	.BALL	32				
8	YF1-52615-54-70	.CIRCLIP	1				
9	YF0-77150-32-17	.BALL,STEEL	8				
10	YF1-68719-73	BEARING,BALL	1				
11	YF0-46120-01-70	CIRCLIP	1				
12	YF1-58411-63-20	STOPPER,FUEL CAM SHAFT	1				
13	YF0-10235-06-12	BOLT	2				




 Q9CN110-L110

FIG. 11 GOVERNOR 2

REF. NO.	PART NO.	DESCRIPTION	Q9CN				REMARKS
1	YF1-58415-40-92	IDLING REGULATOR ASSY	1				
2	YF1-58415-41	.ADJUSTING BOLT ASSY	1				
3	YF1-52619-20-20	.NUT	1				
4	YF1-58415-42-20	.NUT,CROWN	1				
5	YF1-50213-36-60	.PACKING	2				
6	YF1-58415-42-70	CAP	1				
7	YF1-58415-41-23	BOLT,ADJUSTING	1				
8	YF1-G0315-42-10	NUT	1				
9	YF1-56019-66-50	PACKING	1				
10	YF1-G0219-66-50	GASKET	1				
11	YF1-58419-23-30	NUT,CROWN	1				
12	YF1-68516-00-14	SOLENOID,STOP	1				
13	YF0-17545-06-12	BOLT,FLANGE	2				

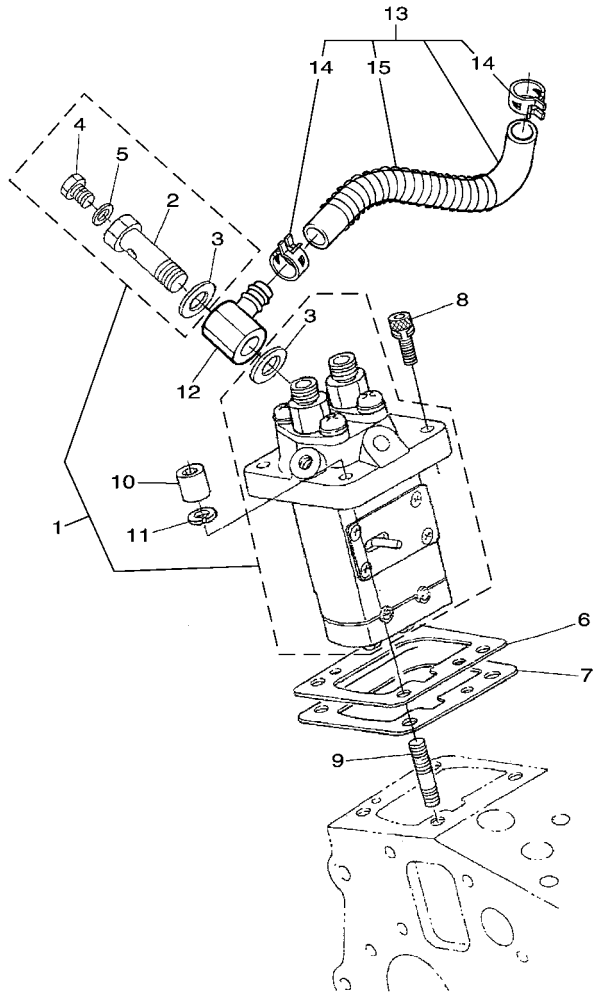
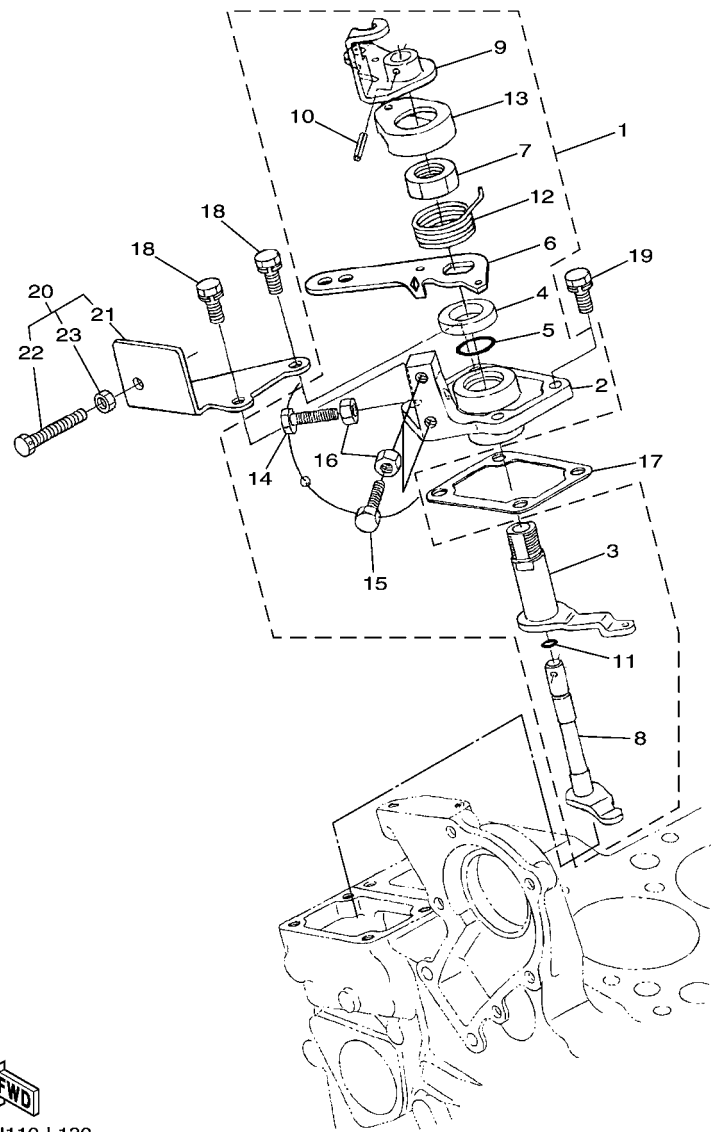


FIG. 12 FUEL INJECTION PUMP

REF. NO.	PART NO.	DESCRIPTION	Q9CN				REMARKS
1	YF1-75485-10-14	INJECTION PUMP ASSY	1				
2	YF1-58415-13-20	.SCREW	1				
3	YF1-58419-66-50	.PACKING	2				
4	YF1-58415-13-50	.SCREW,AIR BREATHER	1				
5	YF1-58419-66-60	.PACKING	1				
6	YF1-G6895-22	SHIM,INJECTION PUMP (0.175MM)	1				UR
	YF1-60015-20-90	SHIM, INJECTION PUMP (0.200MM)	1				UR
	YF1-60015-21-10	SHIM,INJECTION PUMP (0.250MM)	1				UR
7	YF1-60015-21-20	SHIM,INJECTION PUMP (0.300MM)	1				UR
	YF1-G6895-21-60	SHIM,INJECTION PUMP (0.350MM)	1				UR
8	YF1-68719-10-60	BOLT,HEXAGON SOCKET HEAD	3				
9	YF1-58419-15	STUD	1				
10	YF1-58419-23-20	NUT,CROWN	1				
11	YF0-45125-00-60	WASHER,SPRING	1				
12	YF1-58419-56-80	NIPPLE,HOSE	1				
13	YF1-52634-20-10	FUEL PIPE ASSY	1				
14	YF1-49114-27-50	.PIPE CLIP	2				
15	YF6-65915-42-50	.SPRING,PIPE PROTECT.	1				

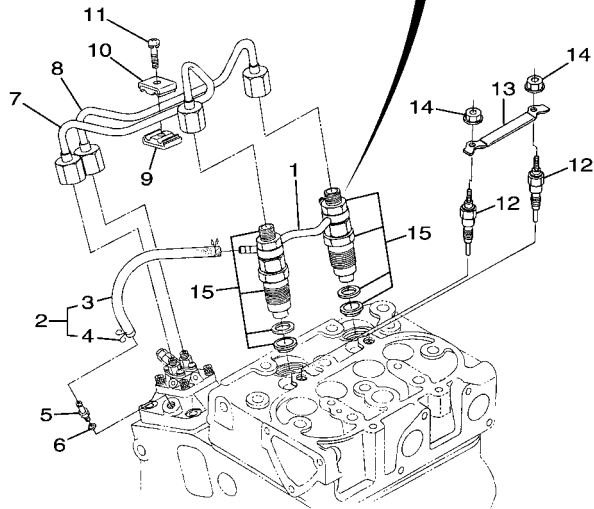
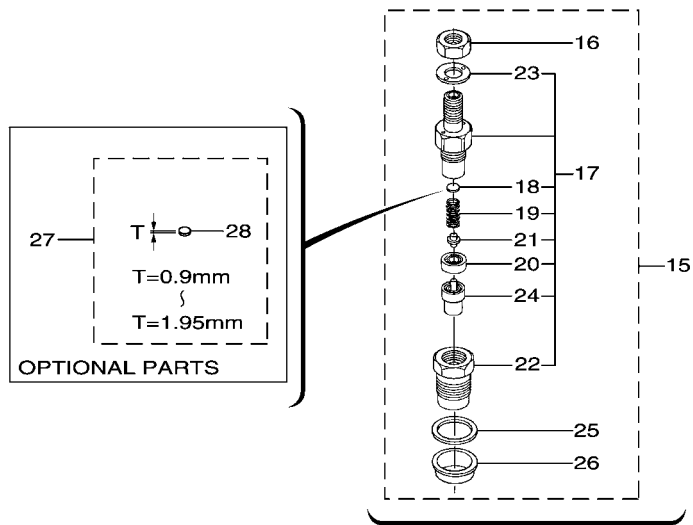

 Q9CN110-L120



Q9CN110-L130

FIG. 13 THROTTLE LEVER

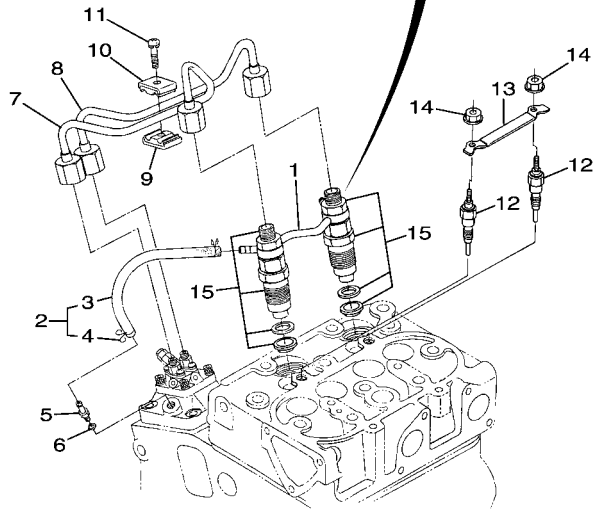
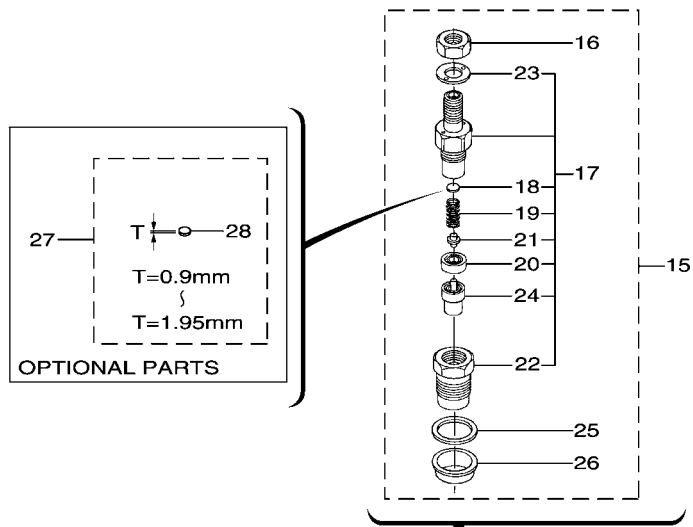
REF. NO.	PART NO.	DESCRIPTION	Q9CN				REMARKS
1	YF1-75615-70-13	SPEED CONTROL COMP.	1				
2	YF1-58415-71-12	.PLATE,SPEED CONTROL	1				
3	YF1-58415-61-12	.LEVER,GOVERNOR	1				
4	YF1-92805-72-40	.COLLAR	1				
5	YF0-48141-01-60	.O-RING	1				
6	YF1-G6395-71-50	.LEVER,SPEED CONTROL	1				
7	YF1-68669-20-10	.NUT(LEVER,SPEED CONTROL)	1				
8	YF1-68785-77-42	.SHAFT,LEVER	1				
9	YF1-68515-77-24	.LEVER,ENGINE STOP	1				
10	YF0-54110-03-14	.PIN,SPRING	1				
11	YF0-48141-00-70	.O-RING	1				
12	YF1-68785-79-20	.SPRING,RETURN	1				
13	YF1-68665-73-02	.CAP	1				
14	YF1-92029-10-10	.BOLT	1				
15	YF1-92029-10-10	.BOLT	2				
16	YF0-20565-00-60	.NUT	3				
17	YF1-58415-72-12	GASKET	1				
18	YF0-10235-06-20	BOLT	2				
19	YF1-68719-10-50	BOLT	2				
20	YF1-K1925-71-03	CONTROL PLATE ASSY	1				
21	YF1-K1925-71-10	.PLATE,SPEED CONTROL	1				
22	YF1-92029-10-10	.BOLT	1				
23	YF0-20565-00-60	.NUT	1				




 Q9CN110-L140

FIG. 14 NOZZLE HOLDER ASSY

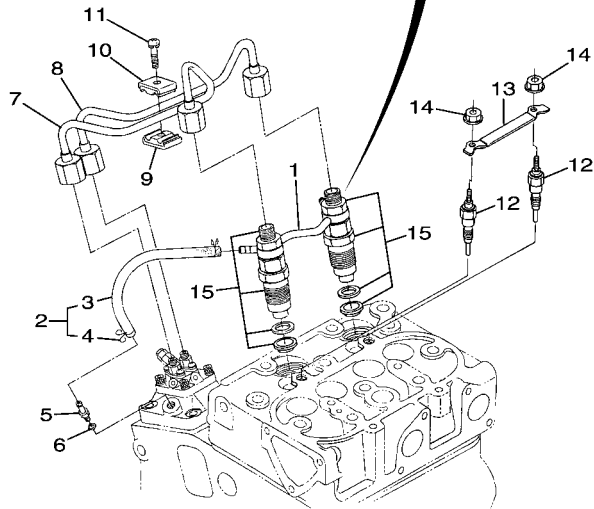
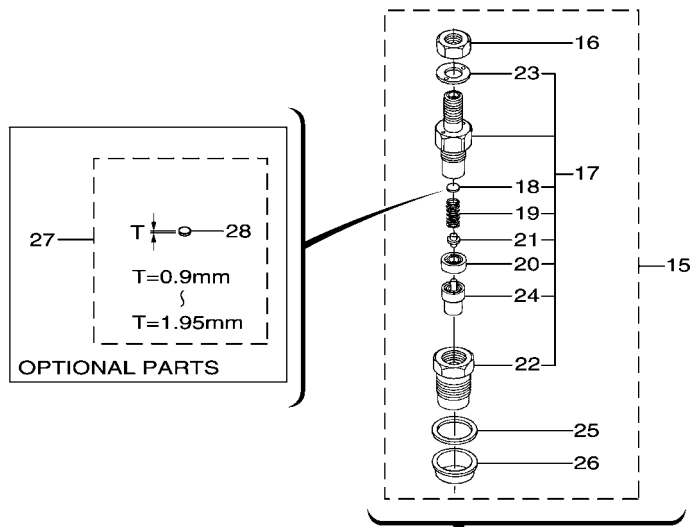
REF. NO.	PART NO.	DESCRIPTION	Q9CN			REMARKS
1	YF1-58524-25-02	OVER FLOW PIPE ASSY	1			
2	YF1-58414-25	OVER FLOW PIPE ASSY 2	1			
3	YF1-58414-25-20	.PIPE,FUEL OVER FLOW	1			
4	YF1-49714-27-50	.PIPE CLIP	2			
5	YF1-58415-13-60	SCREW,AIR BREATHER	1			
6	YF1-56019-66-50	PACKING	1			
7	YF1-G6865-37-10	PIPE,INJECTION	1			
8	YF1-G6865-37-20	PIPE,INJECTION	1			
9	YF1-58415-38-50	CLAMP,PIPE 1	1			
10	YF1-58415-38-60	CLAMP,PIPE 2	1			
11	YF0-30245-05-20	SCREW,WITH WASHER	1			
12	YF1-68516-55-12	GLOW PLUG	2			
13	YF1-68516-55-60	CORD,GLOW PLUG	1			
14	YF0-27615-00-40	NUT,FLANGE	2			
15	YF1-60015-39-04	NOZZLE HOLDER KIT	2			
16	YF1-G8269-20-32	.NUT	1			
17	YF1-60015-30-02	.NOZZLE HOLDER ASSY	1			
18	YF1-58415-32-30	..WASHER,ADJUSTING(0.90MM)	1			UR
19	YF1-58415-31-70	..SPRING,NOZZLE	1			
20	YF1-58415-33-50	..PIECE,DISTANCE	1			
21	YF1-58415-31-60	..PUSH ROD	1			
22	YF1-64755-32-80	..NUT,NOZZLE	1			
23	YF1-58419-40-40	..WASHER	1			
24	YF1-68515-36-10	..NOZZLE PIECE	1			
25	YF1-58415-36-22	.PACKING	1			
26	YF1-90775-36-50	.SEAL,HEAT	1			
27	YF1-58419-81	ADJUSTING WASHER ASSY	2			AP




 Q9CN110-L140

FIG. 14 NOZZLE HOLDER ASSY

REF. NO.	PART NO.	DESCRIPTION	Q9CN		REMARKS
28	YF1-58415-32-30	.WASHER,ADJUSTING(0.90MM)	1		UR
	YF1-58419-85-10	.WASHER,ADJUSTING(0.925MM)	1		UR
	YF1-58419-85-20	.WASHER,ADJUSTING(0.950MM)	1		UR
	YF1-58419-85-30	.WASHER,ADJUSTING(0.975MM)	1		UR
	YF1-58419-85-40	.WASHER,ADJUSTING(1.000MM)	1		UR
	YF1-58419-85-50	.WASHER,ADJUSTING(1.025MM)	1		UR
	YF1-58419-85-60	.WASHER,ADJUSTING(1.050MM)	1		UR
	YF1-58419-85-70	.WASHER,ADJUSTING(1.075MM)	1		UR
	YF1-58419-85-80	.WASHER,ADJUSTING(1.100MM)	1		UR
	YF1-58419-85-90	.WASHER,ADJUSTING(1.125MM)	1		UR
	YF1-58419-86	.WASHER,ADJUSTING(1.150MM)	1		UR
	YF1-58419-86-10	.WASHER,ADJUSTING(1.175MM)	1		UR
	YF1-58419-86-20	.WASHER,ADJUSTING(1.200MM)	1		UR
	YF1-58419-86-30	.WASHER,ADJUSTING(1.225MM)	1		UR
	YF1-58419-86-40	.WASHER,ADJUSTING(1.250MM)	1		UR
	YF1-58419-86-50	.WASHER,ADJUSTING(1.275MM)	1		UR
	YF1-58419-86-60	.WASHER,ADJUSTING(1.300MM)	1		UR
	YF1-58419-86-70	.WASHER,ADJUSTING(1.325MM)	1		UR
	YF1-58419-86-80	.WASHER,ADJUSTING(1.350MM)	1		UR
	YF1-58419-86-90	.WASHER,ADJUSTING(1.375MM)	1		UR
	YF1-58419-87	.WASHER,ADJUSTING(1.400MM)	1		UR
	YF1-58419-87-10	.WASHER,ADJUSTING(1.425MM)	1		UR
	YF1-58419-87-20	.WASHER,ADJUSTING(1.450MM)	1		UR
	YF1-58419-87-30	.WASHER,ADJUSTING(1.475MM)	1		UR
	YF1-58419-87-40	.WASHER,ADJUSTING(1.500MM)	1		UR
	YF1-58419-87-50	.WASHER,ADJUSTING(1.525MM)	1		UR
	YF1-58419-87-60	.WASHER,ADJUSTING(1.550MM)	1		UR

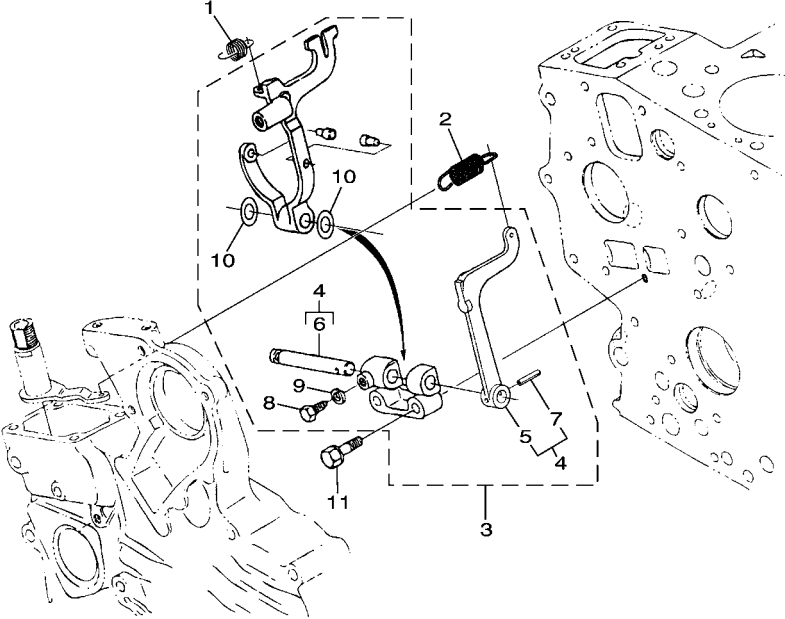


Q9CN110-L140

FIG. 14 NOZZLE HOLDER ASSY

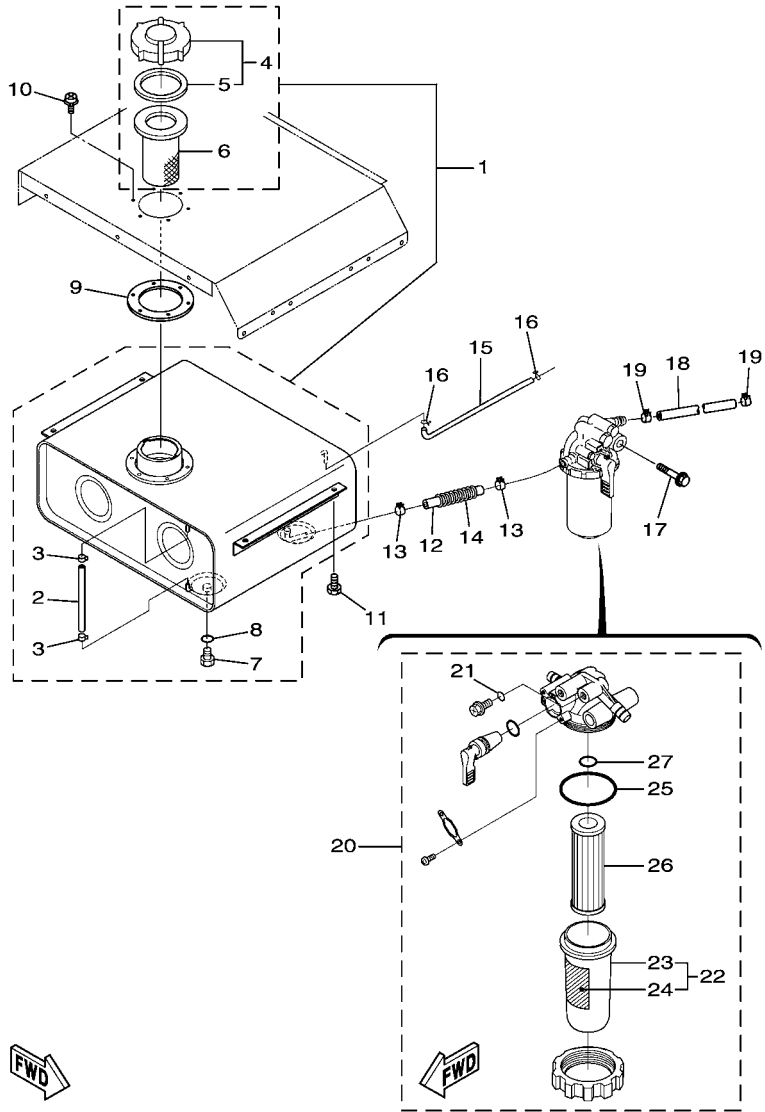
REF. NO.	PART NO.	DESCRIPTION	Q9CN			REMARKS
28	YF1-58419-87-70	.WASHER,ADJUSTING(1.575MM)	1			UR
	YF1-58419-87-80	.WASHER,ADJUSTING(1.600MM)	1			UR
	YF1-58419-87-90	.WASHER,ADJUSTING(1.625MM)	1			UR
	YF1-58419-88	.WASHER,ADJUSTING(1.650MM)	1			UR
	YF1-58419-88-10	.WASHER,ADJUSTING(1.675MM)	1			UR
	YF1-58419-88-20	.WASHER,ADJUSTING(1.700MM)	1			UR
	YF1-58419-88-30	.WASHER,ADJUSTING(1.725MM)	1			UR
	YF1-58419-88-40	.WASHER,ADJUSTING(1.750MM)	1			UR
	YF1-58419-88-50	.WASHER,ADJUSTING(1.775MM)	1			UR
	YF1-58419-88-60	.WASHER,ADJUSTING(1.800MM)	1			UR
	YF1-58419-88-70	.WASHER,ADJUSTING(1.825MM)	1			UR
	YF1-58419-88-80	.WASHER,ADJUSTING(1.850MM)	1			UR
	YF1-58419-88-90	.WASHER,ADJUSTING(1.875MM)	1			UR
	YF1-58419-89	.WASHER,ADJUSTING(1.900MM)	1			UR
	YF1-58419-89-10	.WASHER,ADJUSTING(1.925MM)	1			UR
	YF1-58419-89-20	.WASHER,ADJUSTING(1.950MM)	1			UR

FIG. 15 GOVERNOR



REF. NO.	PART NO.	DESCRIPTION	Q9CN					REMARKS
1	YF1-58415-64-80	SPRING,START	1					
2	YF1-75495-64-10	SPRING,GOVERNOR	1					
3	YF1-75485-60-55	FORK LEVER ASSY	1					
4	YF1-58415-60-60	.FORK LEVER 2 ASSY	1					
5	YF1-58415-61-30	..FORK LEVER 2	1					
6	YF1-58415-61-50	..SUPPORT,FORK LEVER	1					
7	YF0-54110-03-18	..PIN,SPRING	1					
8	YF1-52616-64-10	.BOLT	1					
9	YF0-45125-00-50	.WASHER, SPRING	1					
10	YF1-66625-56-20	.WASHER,PLAIN	2					
11	YF0-10235-06-35	BOLT	2					


 Q9CN110-L150

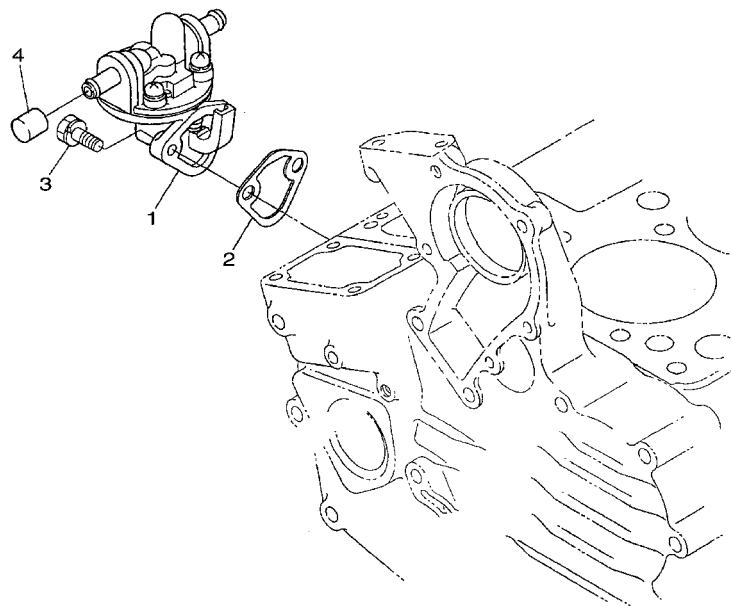


Q9CN110-L160

FIG. 16 FUEL TANK

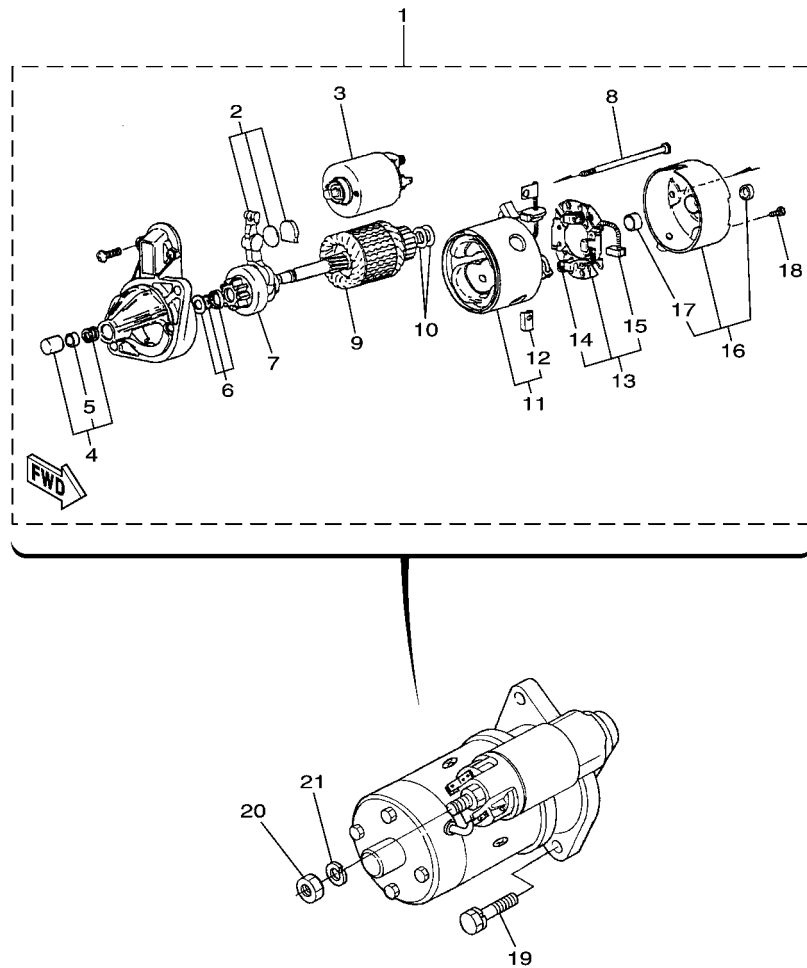
REF. NO.	PART NO.	DESCRIPTION	Q9CN				REMARKS
1	YF1-G2914-10-12	FUEL TANK ASSY	1				
2	YF1-G2914-17-10	.HOSE, GAUGE	1				
3	YF1-43014-23-60	.CLIP	2				
4	YF1-G2914-10-32	.FUEL TANK CAP ASSY	1				
5	YF1-G2914-13-42	..GASKET, TANK CAP	1				
6	YF1-11514-13-50	.FILTER	1				
7	YF0-63313-50-12	.PLUG	1				
8	YF1-51093-36-60	.GASKET	1				
9	YFG-31023-05-20	GASKET	1				
10	YF0-30345-05-10	SCREW,WITH WASHER	6				
11	YF0-17545-08-12	BOLT, FLANGE	4				
12	YF0-96618-01-50	TUBE, FUEL	1				
13	YF1-49114-27-50	PIPE CLIP	2				
14	YFG-31026-75-82	TUBE	1				
15	YF0-96614-01-90	TUBE, FUEL	1				
16	YF1-49714-27-50	PIPE CLIP	2				
17	YF0-17545-08-65	BOLT,FLANGE	1				
18	YF0-96618-02-60	PIPE FUEL	1				
19	YF1-49114-27-50	PIPE CLIP	2				
20	YF1-E2504-30-10	FUEL FILTER ASSY	1				
21	YF0-48170-00-60	.O RING	2				
22	YF1-E2504-31	.FILTER CUP ASSY	1				
23	YF1-G3134-35-80	..CUP, FILTER	1				
24	YF1-E2508-84-30	..LABEL, FUEL	1				
25	YF1-G3134-36-50	.O RING	1				
26	YF1-G3134-35-60	.ELEMENT ASSY	1				
27	YF1-G3134-35-70	.O RING	1				

FIG. 17 FUEL PUMP



REF. NO.	PART NO.	DESCRIPTION	Q9CN				REMARKS
1	YF1-58215-20-30	FUEL PUMP ASSY	1				
2	YF1-62645-21-40	GASKET	1				
3	YF0-10235-06-16	BOLT	2				
4	YF1-52215-12-10	CAP	1				


 Q9CN110-L170

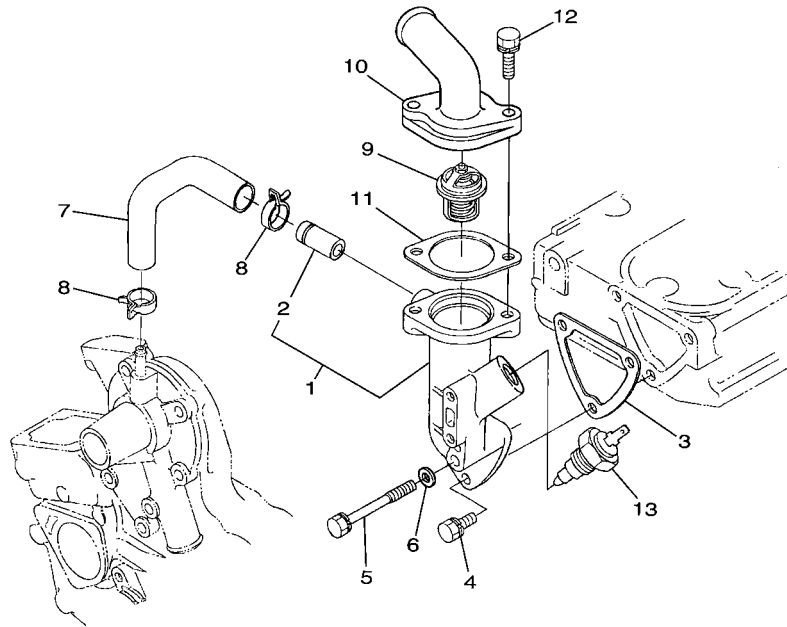


Q9CN110-L180

FIG. 18 STARTER

REF. NO.	PART NO.	DESCRIPTION	Q9CN				REMARKS
1	YF1-98376-30-10	STARTER ASSY	1				
2	YF1-98376-30-50	.LEVER,DRIVE	1				
3	YF1-58526-30-20	.SWITCH, MAGNETIC	1				
4	YF1-98376-30-30	.FRAME,DRIVE END	1				
5	YF1-58526-32-40	..BUSH	1				
6	YF1-98376-31-50	.STOPPER	1				
7	YF1-98376-30-40	.CLUTCH,OVER RUNNING	1				
8	YF1-98376-33-20	.BOLT	2				
9	YF1-98376-30-70	.ARMATURE	1				
10	YF1-58526-34-10	.WASHER, ADJUSTING	1				UN
11	YF1-98376-30-80	.YOKE	1				
12	YF1-58526-33-60	..BRUSH	2				
13	YF1-58526-33-80	.ASSY HOLDER, BRUSH	1				
14	YF1-58526-33-90	..SPRING, BRUSH	3				
15	YF1-58526-33-70	..BRUSH	1				
16	YF1-98376-32	.FRAME,END	1				
17	YF1-58526-32-50	..BUSH	1				
18	YF1-58529-33-10	.SCREW, SET	1				
19	YF0-11235-08-25	BOLT	2				
20	YF0-21565-00-80	NUT	1				
21	YF0-45125-00-80	WASHER,SPRING	1				

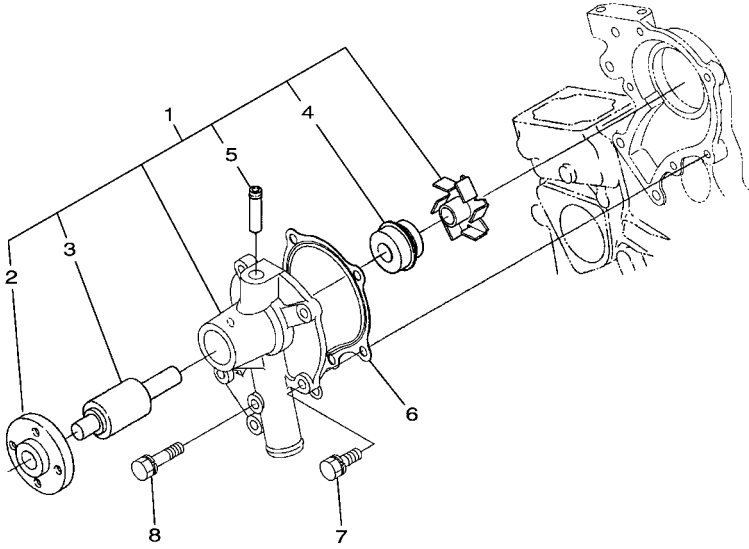
FIG. 19 COOLING



REF. NO.	PART NO.	DESCRIPTION	Q9CN				REMARKS
1	YF1-68757-27-04	WATER FLANGE COMP	1				
2	YF1-62417-33-70	.PIPE,WATER RETURN	1				
3	YF1-58417-29-23	GASKET,WATER FLANGE	1				
4	YF0-10235-06-16	BOLT	2				
5	YF0-10235-06-60	BOLT	1				
6	YF0-40135-00-60	WASHER,PLATE	1				
7	YF1-68517-33-50	PIPE WATER RETURN 2	1				
8	YF1-G6877-33-62	CLAMP,HOSE	2				
9	YF1-55317-30-13	THERMOSTAT ASSY	1				
10	YF1-56917-32-60	COVER,THERMOSTAT	1				
11	YF1-68517-32-70	PACKING,THERMOSTAT COVER	1				
12	YF0-10235-06-32	BOLT,SEMS	2				
13	YF1-75388-30-40	SWITCH,THERMOSTAT	1				

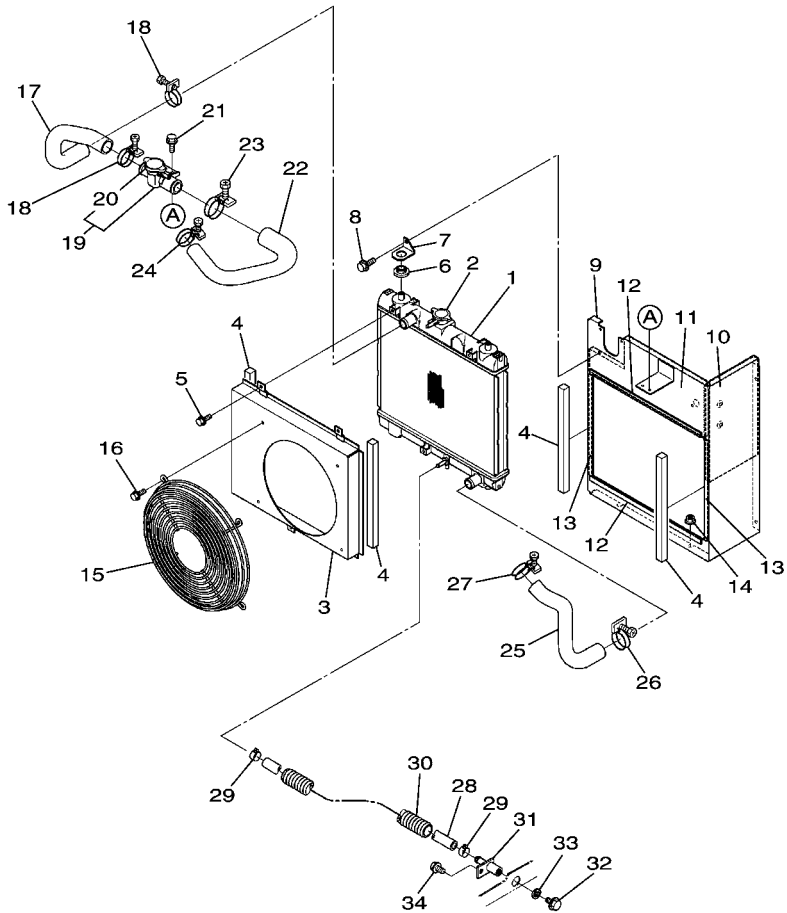

Q9CN110-L190

FIG. 20 WATER PUMP



REF. NO.	PART NO.	DESCRIPTION	Q9CN				REMARKS
1	YF1-E0517-30-34	WATER PUMP ASSY	1				
2	YF1-58527-35-23	.FLANGE,WATER PUMP	1				
3	YF1-58527-35-50	.BEARING	1				
4	YF1-54817-30-50	.MECHANICAL SEAL ASSY	1				
5	YF1-58527-33-40	.PIPE,WATER RETURN 1	1				
6	YF1-68717-34-30	GASKET,WATER PUMP	1				
7	YF0-10235-06-22	BOLT	4				
8	YF0-10235-06-38	BOLT,WITH WASHER	1				


 Q9CN110-L200

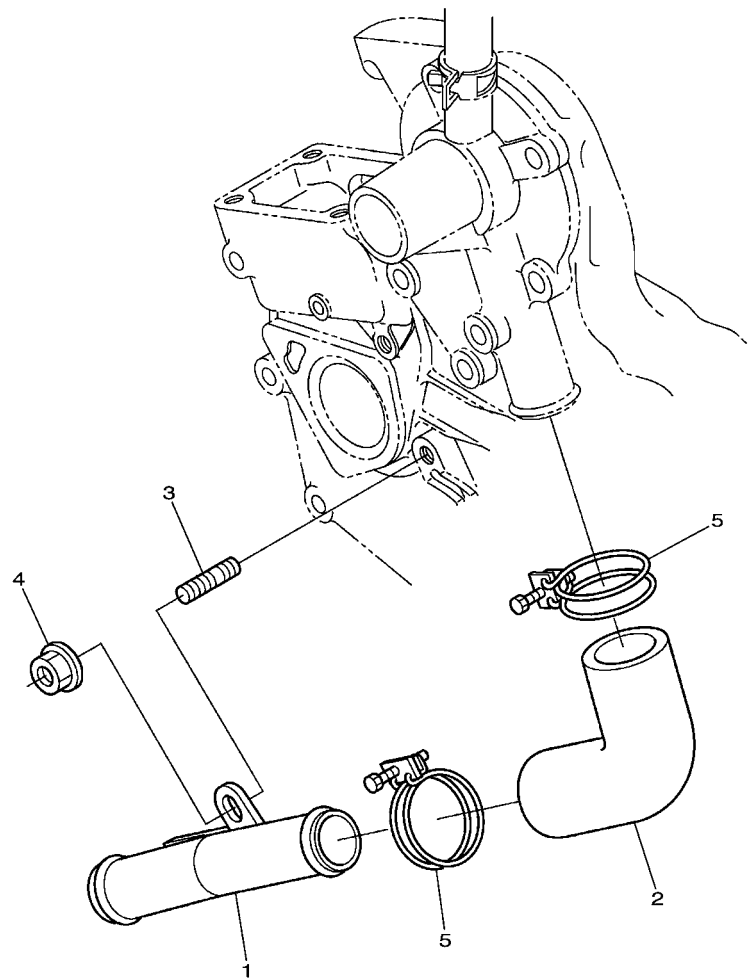


FWD
Q9CN110-L210

FIG. 21 RADIATOR & HOSE

REF. NO.	PART NO.	DESCRIPTION	Q9CN				REMARKS
1	YF1-G2917-20-60	RADIATOR ASSY	1				
2	YF1-72147-20-20	.RADIATOR CAP ASSY	1				
3	Y04-00000-00-26	SHROUD, FAN	1				
4	YFG-31024-03-70	CUSHION, RADIATOR	4				
5	YF0-17545-06-14	BOLT	3				
6	YF3-40701-60-30	RUBBER(RADIATOR MOUNT)	2				
7	Y04-00000-00-27	BRACKET, RADIATOR	2				
8	YF0-17545-08-16	BOLT	2				
9	Y04-00000-00-28	PLATE, RADIATOR	1				
10	YFG-31024-02-20	NOISE ABSORBER	1				
11	YFG-31024-02-30	NOISE ABSORBER	1				
12	YFG-31024-03-50	CUSHION	2				
13	YFG-31024-03-70	CUSHION, RADIATOR	2				
14	YF0-27515-00-80	NUT, FLANGE	2				
15	YF1-G2927-22-60	PROTECTOR, FAN	1				
16	YF0-17545-06-14	BOLT	4				
17	YF1-G2917-29-50	HOSE, WATER	1				
18	YF6-79555-86-30	CLAMP,HOSE	2				
19	YFR-C4114-23-10	CAP ASSY	1				
20	YF1-72147-20-20	.RADIATOR CAP ASSY	1				
21	YF0-17545-06-14	BOLT	2				
22	YF1-G2917-29-40	HOSE, WATER	1				
23	YF0-93188-90-45	CLAMP, HOSE	1				
24	YF0-93188-90-33	CLAMP, HOSE	1				
25	YF1-G2917-28-50	HOSE, WATER LOWER	1				
26	YF6-79555-86-30	CLAMP,HOSE	1				
27	YF0-93188-90-30	CLAMP,HOSE	1				

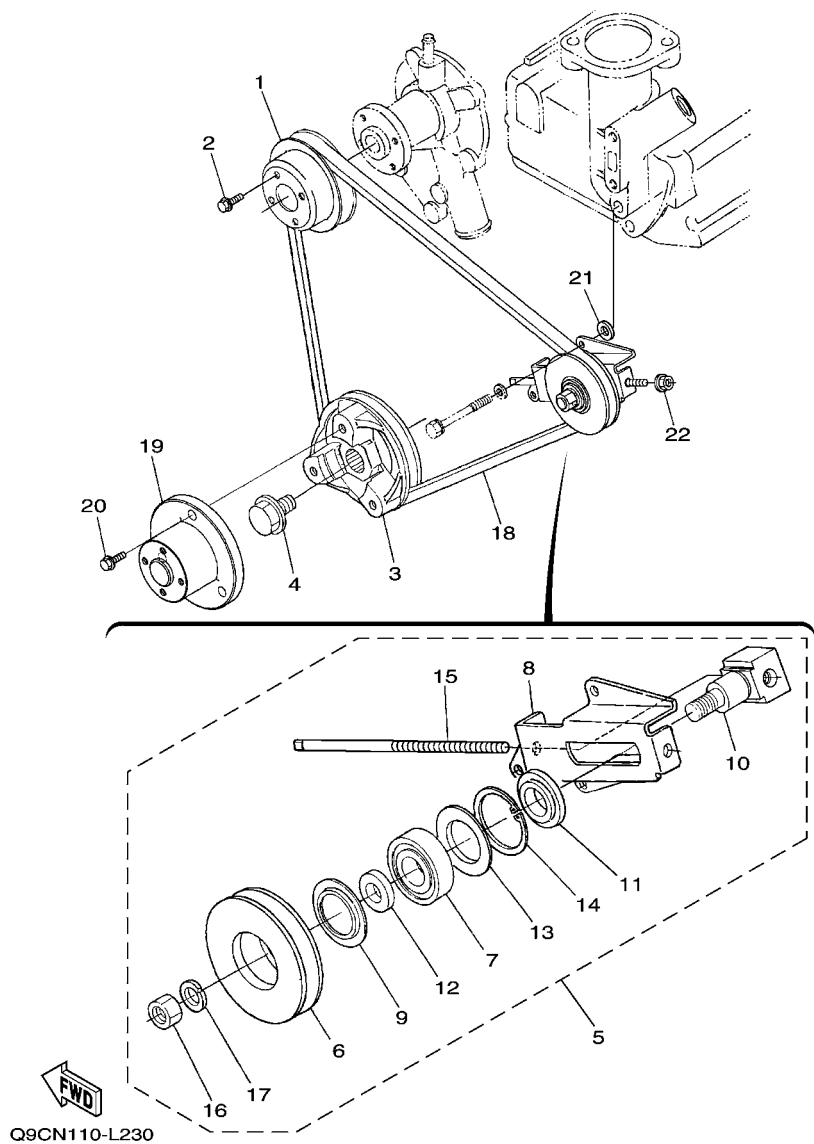
FIG. 22 COOLING PIPE




Q9CN110-L220

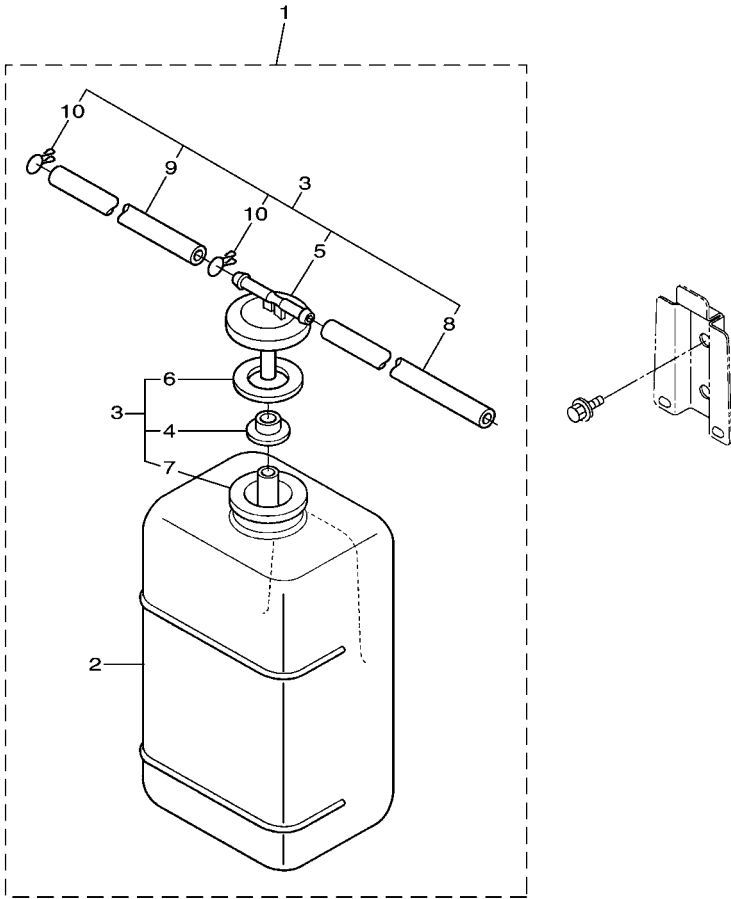
REF. NO.	PART NO.	DESCRIPTION	Q9CN				REMARKS
1	YF1-68057-28-60	PIPE,WATER	1				
2	YF1-68057-28-70	HOSE,WATER	1				
3	YF1-58419-15-10	STUD	1				
4	YF0-27515-00-60	NUT,FLANGE	1				
5	YF1-58417-29-60	BAND,PIPE	2				

FIG. 23 COOLING SYSTEM



Q9CN110-L230

REF. NO.	PART NO.	DESCRIPTION	Q9CN				REMARKS
1	YF1-58417-42-50	PULLEY,FAN	1				
2	YF0-17545-06-10	BOLT,FLANGE	4				
3	YF1-68517-42-80	PULLEY,FAN DRIVE	1				
4	YF1-58819-10-30	BOLT	1				
5	YF1-G2917-49	TENSION PULLEY ASSY	1				
6	YF1-52717-43-20	.PULLEY, TENSION	1				
7	YF1-52717-41-90	.BEARING	1				
8	YF1-75297-49-50	.SUPPORT,PULLEY	1				
9	YF1-52317-47-70	.COVER,TENSION PULLEY	1				
10	YF1-75947-43-30	.SHAFT,TENSION PULLEY	1				
11	YF1-75947-44-30	.COLLAR,TENSION PULLEY	1				
12	YF1-52717-44-30	.COLLAR,TENSION PULLEY	1				
13	YF1-43017-47-80	.COVER,TENSION PULLEY	1				
14	YF0-46110-04	.CIR CLIP, INTERNAL	1				
15	YF1-74467-49-40	.BOLT, LONG	1				
16	YF0-21765-01	.NUT	1				
17	YF0-45125-01	.WASHER, SPRING	1				
18	YF1-97019-70-10	BELT	1				
19	YF1-G2927-41-50	COLLAR,FAN	1				
20	YF0-17545-08-25	BOLT,FLANGE	3				
21	YF1-39615-72-40	COLLAR	1				
22	YF0-27615-00-60	NUT,FLANGE	1				

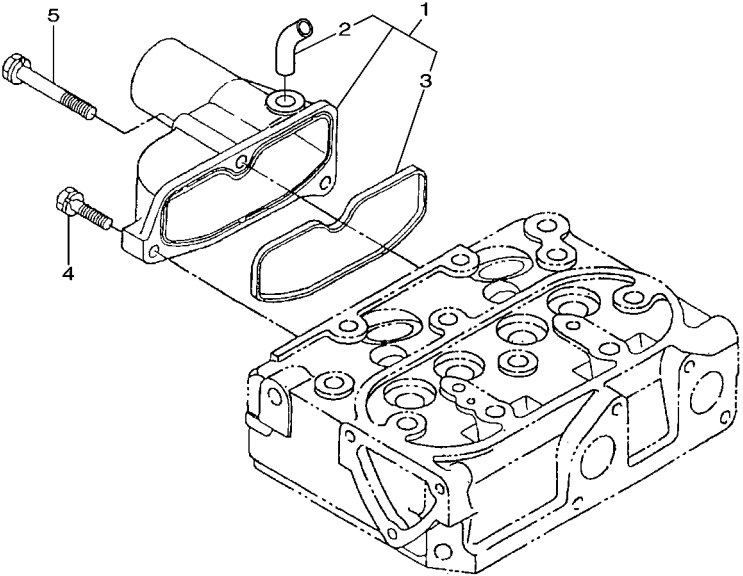


Q9CN110-L240

FIG. 24 RESERVE TANK

REF. NO.	PART NO.	DESCRIPTION	Q9CN				REMARKS
1	YF1-K5917-24	RESERVE TANK ASSY	1				
2	YF1-55317-24-10	.BODY,TANK	1				
3	YF1-K5914-28-50	.CAP ASSY	1				
4	YF3-G7041-73-90	..PLATE	1				
5	YF1-55317-24-22	..CAP	1				
6	YF1-55317-24-32	..PACKING	1				
7	YFR-C4114-28-60	..HOSE	1				
8	YF6-71565-88-32	..PIPE, WATER OVER FLOW	1				
9	YF1-98397-24-40	..HOSE, RUBBER	1				
10	YF1-55017-24-70	..CLIP,PIPE	2				

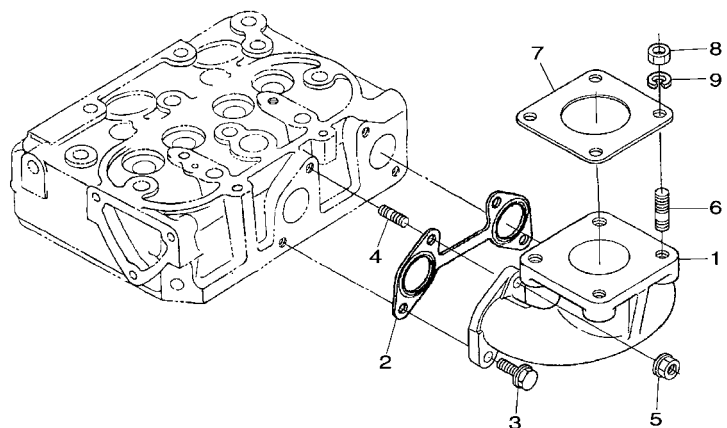
FIG. 25 INTAKE MANIFOLD



Q9CN110-L250

REF. NO.	PART NO.	DESCRIPTION	Q9CN				REMARKS
1	YF1-G9571-17-72	INLET MANIFOLD ASSY	1				
2	YF1-G9590-55-50	.PIPE,BREATHER	1				
3	YF1-58411-18-20	.GASKET	1				
4	YF0-10235-06-18	BOLT	2				
5	YF0-10235-06-45	BOLT	1				

FIG. 26 EXHAUST 1



REF. NO.	PART NO.	DESCRIPTION	Q9CN				REMARKS
1	YF1-75631-23-10	MANIFOLD,EXHAUST	1				
2	YF1-68511-23-60	GASKET,EXHAUST MANIFOLD	1				
3	YF1-J0909-10-10	BOLT,UBS	2				
4	YF0-15135-06-18	BOLT,STUD	2				
5	YF0-27565-00-60	NUT,UBS	2				
6	YF0-15135-08-22	STUD	4				
7	YF1-52631-23-70	PACKING,MUFFLER(NA)	1				
8	YF0-21565-00-80	NUT	4				
9	YF0-45125-00-80	WASHER,SPRING	4				


 Q9CN110-L260

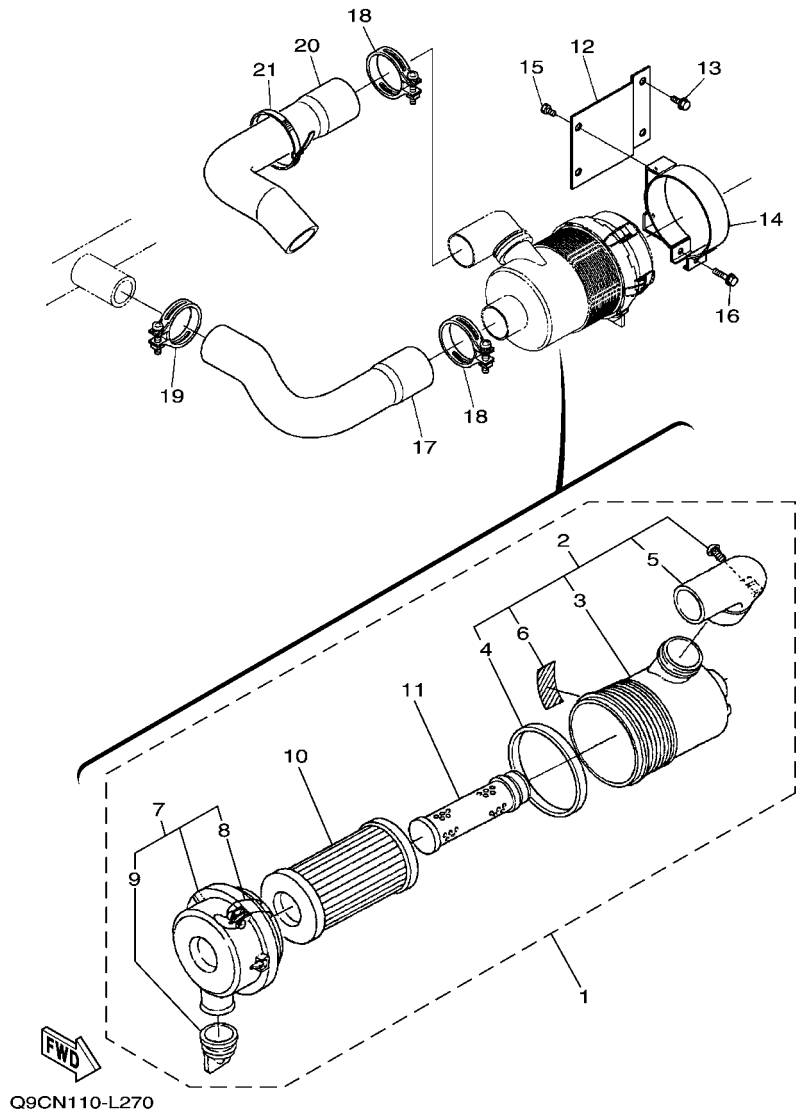
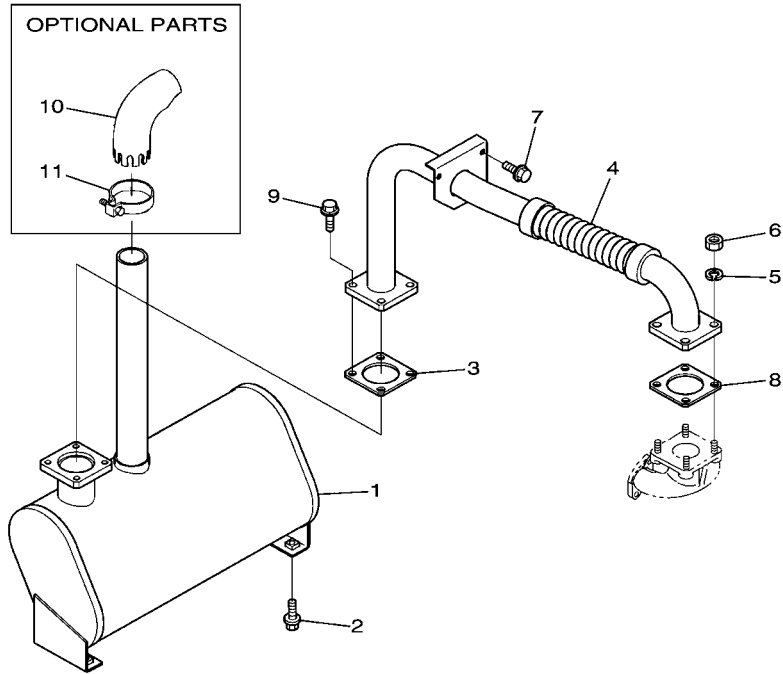


FIG. 27 AIR CLEANER

REF. NO.	PART NO.	DESCRIPTION	Q9CN				REMARKS
1	YF3-27215-82-03	AIR CLEANER ASSY	1				
2	YF3-27215-82-12	.CASE ASSY	1				
3	YF3-27215-82-20	..CASE, AIR CLEANER	1				
4	YF6-A1008-25-30	..GASKET	1				
5	YF6-79808-25-30	..ELBOW, AIR CLEANER	1				
6	YF3-27215-82-82	..LABEL CAUTION	1				
7	YF6-A1008-25-50	.COVER ASSY.,AIR CLEANER	1				
8	YF6-A1008-25-70	..SPRING	2				
9	YF6-79808-25-80	..VALVE	1				
10	YF6-C0609-94-10	.ELEMENT ASSY	1				
11	YF3-27215-82-42	.ELEMENT INNER	1				
12	Y04-00000-00-25	BRACKET, AIR CLEANER	1				
13	YF0-17545-08-16	BOLT	2				
14	YF1-K1901-12-50	BAND, AIR CLEANER	1				
15	YF0-17545-08-16	BOLT	2				
16	YF0-17545-08-30	BOLT	1				
17	YF1-G2911-16-20	HOSE, INLET	1				
18	YF1-52211-17-20	BAND,PIPE	2				
19	YF1-52611-17-20	BAND,PIPE	1				
20	YF1-G2921-16-20	PIPE, EXHAUST	1				
21	YFG-31020-40-60	FASTENER	2				




 Q9CN110-L280

FIG. 28 EXHAUST 2

REF. NO.	PART NO.	DESCRIPTION	Q9CN				REMARKS
1	YF1-G2911-21-10	MUFFLER	1				
2	YF0-17545-08-16	BOLT	4				
3	YF1-52631-23-70	PACKING,MUFFLER(NA)	1				
4	YF1-G2911-24-02	PIPE, EXHAUST	1				
5	YF0-45126-00-80	WASHER,SPRING	4				
6	YF0-21145-00-80	NUT	4				
7	YF0-17545-06-14	BOLT	2				
8	YF1-52631-23-70	PACKING,MUFFLER(NA)	1				
9	YF0-17545-08-20	BOLT	4				
10	YF1-J1341-24-10	PIPE, MUFFLER	1				AP
11	YF1-44311-24-30	BAND,MUFFLER	1				AP

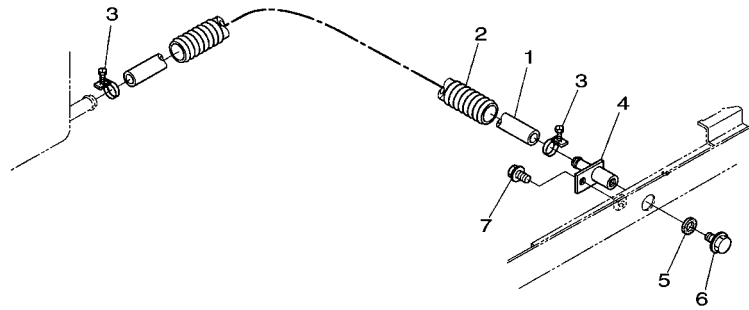
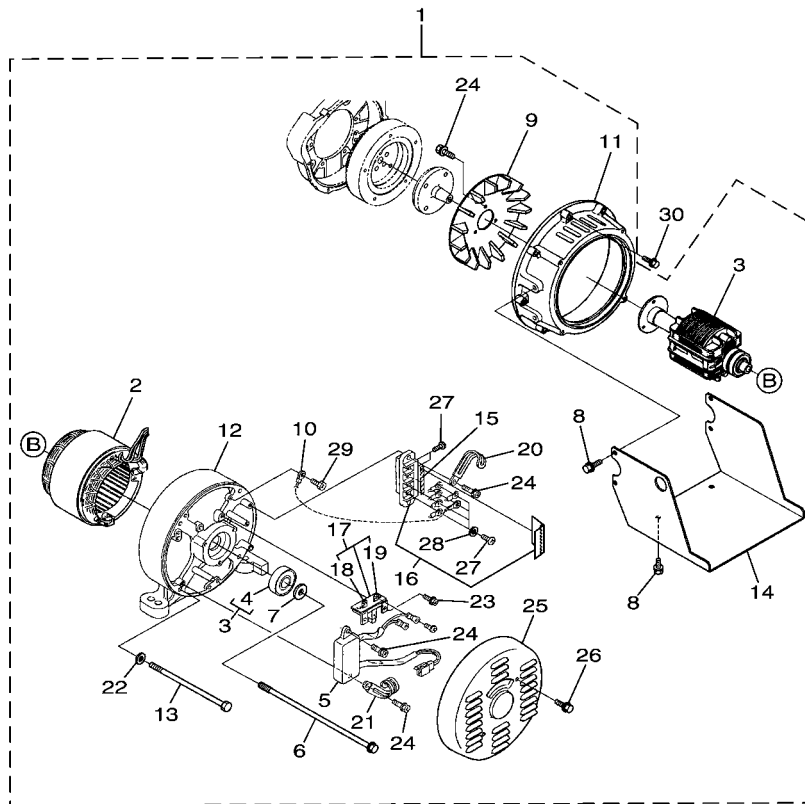


FIG. 29 OIL DRAIN PIPING

REF. NO.	PART NO.	DESCRIPTION	Q9CN				REMARKS
1	YF1-G2913-32-10	PIPE, OIL DRAIN	1				
2	YF1-71473-33-90	SPRING,OIL PIPE P/T	1				
3	YF5-53648-17-40	BAND,PIPE	2				
4	YF1-G2913-37-40	JOINT, OIL DRAIN	1				
5	YF0-47240-01-20	GASKET	1				
6	YF1-39013-37-50	PLUG, DRAIN	1				
7	YF0-17545-06-14	BOLT	1				


Q9CN110-L290

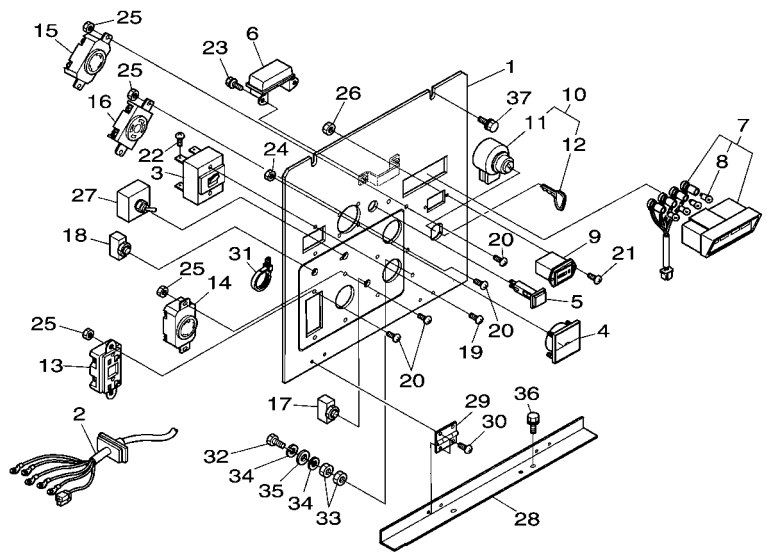



Q9CN110-L300

FIG. 30 GENERATOR

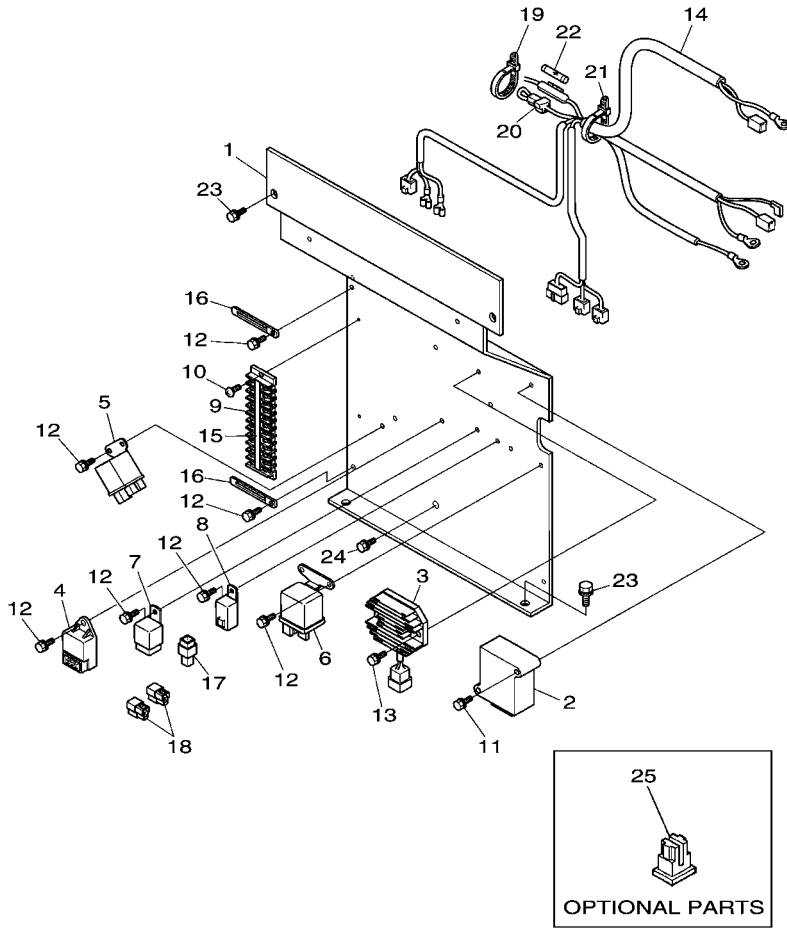
REF. NO.	PART NO.	DESCRIPTION	Q9CN				REMARKS
1	Y04-00000-00-01	GENERATOR ASSY	1				
2	YFG-31020-24-02	.STARTOR ASSY	1				
3	YFG-31020-23	.ROTOR ASSY	1				
4	YFG-31021-05-60	..BEARING	1				
5	YFG-31020-28	.CONTROL ASSY	1				
6	YFG-31020-23-50	.BOLT, CENTER	1				
7	YFG-31029-40-10	.WASHER, PLAIN	1				
8	YFG-31029-10-10	.BOLT	6				
9	YFG-31020-23-20	.COOLING FAN ASSY	1				
10	YFG-31020-44-40	.WIRE HARNESS	1				
11	YFG-31020-22-10	.BRACKET, FRONT	1				
12	YF1-89610-26-10	.BRACKET, REAR	1				
13	YF1-88059-10-20	.BOLT	4				
14	YFG-31020-21-50	.PLATE, GENERATOR	1				
15	YF1-87150-39-70	.MARK	1				
16	YFG-39071-07-30	.CONNECTOR ASSY	1				
17	YFG-31020-21-10	.BRUSH HOLDER ASSY	1				
18	YF1-88010-27-60	..BRUSH	1				
19	YF1-88010-27-50	..BRUSH	1				
20	YF1-85510-28-80	.PLATE	1				
21	YF1-81030-28-50	.PLATE	1				
22	YFG-39069-40-10	.WASHER, PLAIN	4				
23	YF1-89011-57-80	.SCREW	2				
24	YF1-86090-29-40	.BOLT	7				
25	YFG-31020-25-50	.COVER, CLEANER	1				
26	YF1-88010-25-60	.BOLT	2				
27	YF1-84419-19-60	.SCREW	8				

FIG. 31 CONTROL BOX 1




Q9CN110-L310

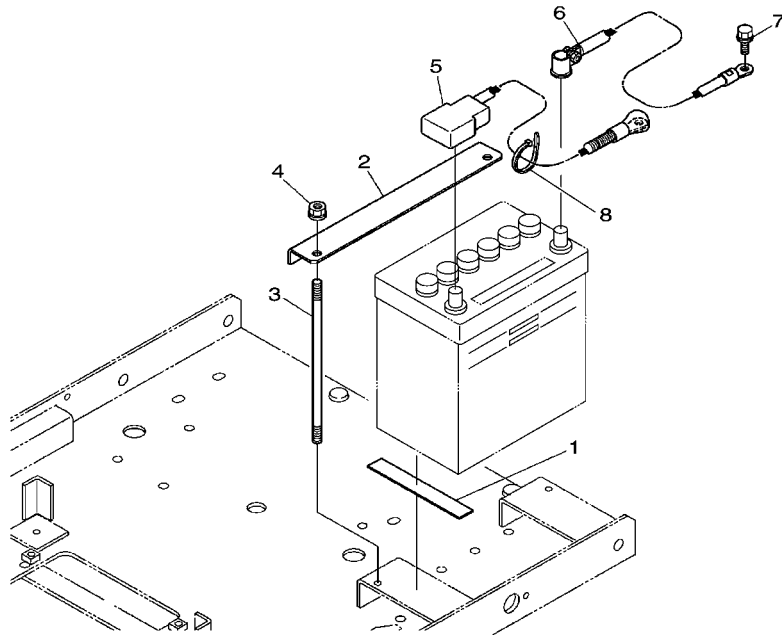
REF. NO.	PART NO.	DESCRIPTION	Q9CN				REMARKS
1	YFG-31020-32-12	PLATE, PANEL	1				
2	YFG-31020-38	WIRE HARNESS (AC)	1				
3	YFG-31020-35-10	BREAKER	1				
4	YF1-69020-35-50	METER, VOLT	1				
5	YF1-84100-34-10	PILOT LAMP ASSY	1				
6	YFG-31023-45	FUSE BOX ASSY	1				
7	YF1-74787-02	PILOT BOX	1				
8	YF3-41503-45-90	.BULB	4				
9	YF1-84906-13-50	METER, HOUR	1				
10	YF1-52486-35-90	STARTER SWITCH ASSY.	1				
11	YF6-C0405-54-12	.SWITCH,STARTER	1				
12	YF1-52486-37	.KEY,STARTER	1				
13	YFG-31160-34	RECEPTACLE	1				
14	YFG-11520-34-30	RECEPTACLE	1				
15	YFG-31020-33-80	RECEPTACLE(L-R)	1				
16	YFG-31020-34	RECEPTACLE(L-R)	1				
17	YFG-39490-35-10	BREAKER	1				
18	YFG-31120-35-20	PROTECTOR	1				
19	YFG-11312-09-20	SCREW, BREAKER	2				
20	YFG-39069-32-60	SCREW	8				
21	YFG-39079-13-20	SCREW, ML BLACK	2				
22	YF1-88130-43-90	SCREW	4				
23	YF1-69709-10-30	BOLT	2				
24	YF1-84100-55	NUT	2				
25	YF1-87020-44-70	NUT	8				
26	YF1-84100-55	NUT	2				
27	YFG-31020-38-70	SWITCH	1				




Q9CN110-L320

FIG. 32 CONTROL BOX 2

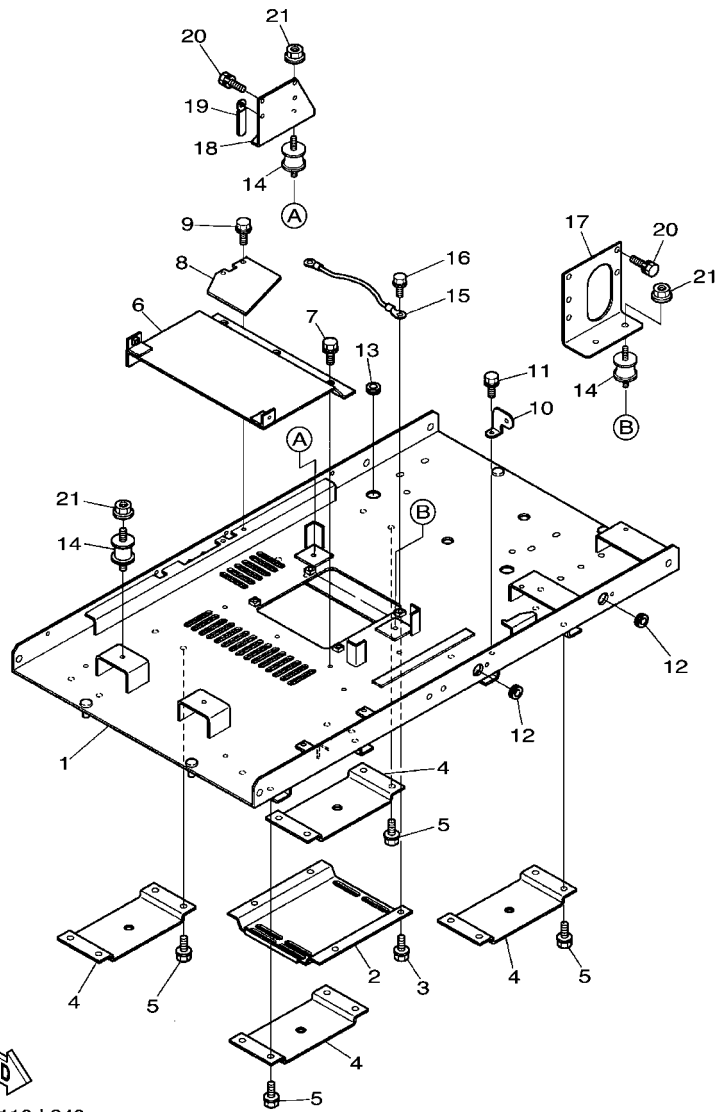
REF. NO.	PART NO.	DESCRIPTION	Q9CN				REMARKS
1	Y04-00000-00-03	BRACKET	1				
2	YF1-71476-06-04	EMERGENCY UNIT	1				
3	YF1-58446-46-03	REGULATOR COMP.	1				
4	YF1-56946-59-90	LAMP TIMER	1				
5	YF1-62596-02-50	ASSY RELAY	1				
6	YF1-64156-56	RELAY,GLOW	1				
7	YF1-74786-02-20	RELAY COMP. (B)	1				
8	YFG-39076-02-50	RELAY	1				
9	YFG-39070-34-10	AMF TERMINAL ASSY	1				
10	YFG-31029-10-60	SCREW, TAPPING	2				
11	YF1-88071-05-90	BOLT	2				
12	YF0-12055-06-12	BOLT, W SEMS(PHILLIPS)	9				
13	YF1-89131-58-30	BOLT	2				
14	YFG-31020-38-10	WIRE HARNESS, ENGINE	1				
15	YFG-39078-84-40	MARK, AMF	1				
16	YFG-39070-28-50	PLATE	2				
17	YF3-46703-45-30	FUSE	1				40A
18	YFR-P2015-39-20	DIODE	2				
19	YF1-89010-40-60	FASTENER	5				
20	YFG-31020-37-10	WIRE HARNESS	1				
21	YFG-31120-40-60	CLAMP, CORD	1				
22	YFG-39070-34-80	FUSE	1				1A
23	YF0-17545-08-16	BOLT	4				
24	YF0-17545-06-14	BOLT	1				
25	YF3-46703-45-30	FUSE	1				AP 40A




 Q9CN110-L330

FIG. 33 BATTERY TRAY

REF. NO.	PART NO.	DESCRIPTION	Q9CN				REMARKS
1	YFG-31023-02	CUSHION (BT)	2				
2	Y04-00000-00-04	SUPPORT	1				
3	YF1-89633-32-90	BOLT, BATTERY	2				
4	YF0-27515-00-60	NUT, FLANGE	2				
5	YF1-G2916-55-62	CORD, BATTERY	1				
6	YF1-G2916-55-70	CORD, BATTERY (-)	1				
7	YF0-17745-10-16	BOLT, FLANGE	1				
8	YFG-31020-40-60	FASTENER	3				

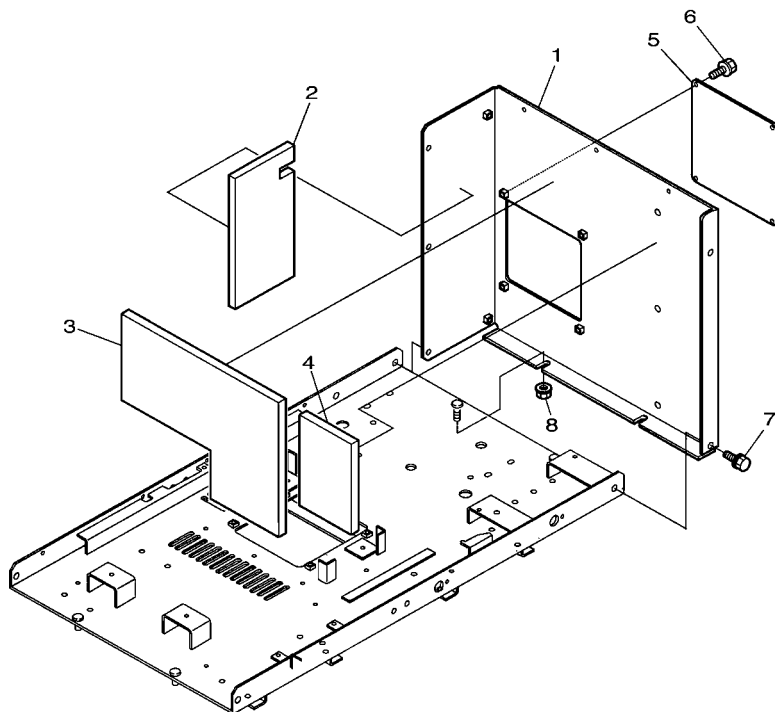


Q9CN110-L340

FIG. 34 PANEL BODY

REF. NO.	PART NO.	DESCRIPTION	Q9CN				REMARKS
1	Y04-00000-00-05	BASE	1				
2	Y04-00000-00-06	COVER	1				
3	YF0-17545-08-16	BOLT	4				
4	Y04-00000-00-07	SUPPORT	4				
5	YF0-17545-08-16	BOLT	16				
6	Y04-00000-00-08	COVER	1				
7	YF0-17545-08-16	BOLT	3				
8	Y04-00000-00-09	COVER	1				
9	YF0-17545-08-16	BOLT	2				
10	YF1-89613-13-10	HOLDER, DOOR LOCK	1				
11	YF0-17545-06-14	BOLT	1				
12	YF1-89613-12-10	BUSH, RUBBER	2				
13	YF3-40701-60-30	RUBBER(RADIATOR MOUNT)	2				
14	YF1-89013-05-80	CUSHION, RUBBER	4				
15	YFG-31026-79-10	WIRE HARNESS	1				
16	YF0-17545-06-14	BOLT	2				
17	YFG-31023-05-60	BRACKET, ENGINE	1				
18	YFG-31023-05-70	BRACKET, ENGINE	1				
19	YF3-53402-93-80	CLAMP, CORD	1				
20	YF0-11335-10-22	BOLT, SEMS	8				
21	YF0-27515-00-80	NUT, FLANGE	4				

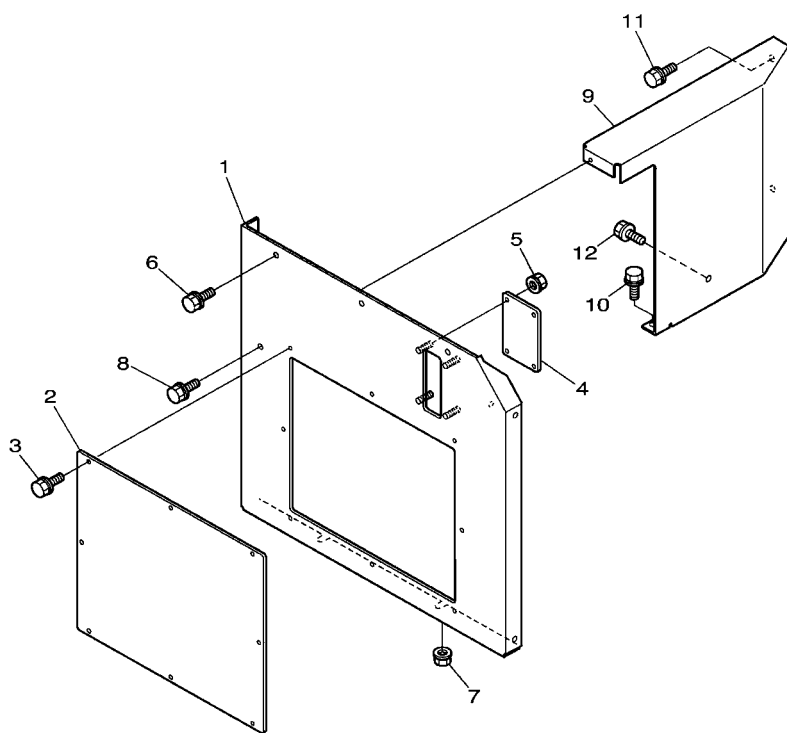
FIG. 36 FRAME 2



REF. NO.	PART NO.	DESCRIPTION	Q9CN				REMARKS
1	Y04-00000-00-13	FRAME, FRONT	1				
2	YFG-31024-02	NOISE ABSORBER	1				
3	YFG-31024-02-10	NOISE ABSORBER	1				
4	YFG-31024-02-90	NOISE ABSORBER	1				
5	Y04-00000-00-14	COVER	1				
6	YF0-17545-06-14	BOLT	4				
7	YF0-17545-08-16	BOLT	12				
8	YF0-27515-00-80	NUT, FLANGE	2				

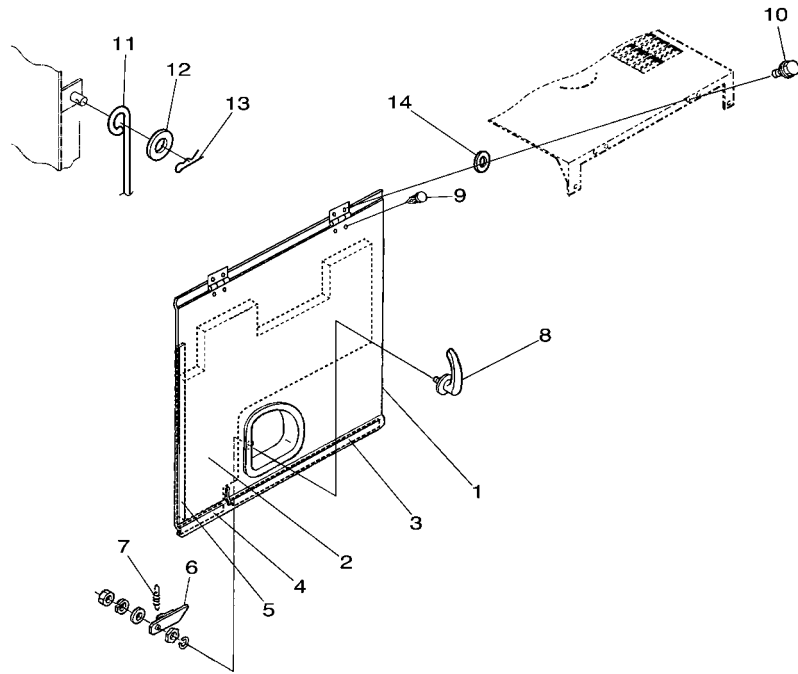

 Q9CN110-L360

FIG. 37 FRAME 3




Q9CN110-L370

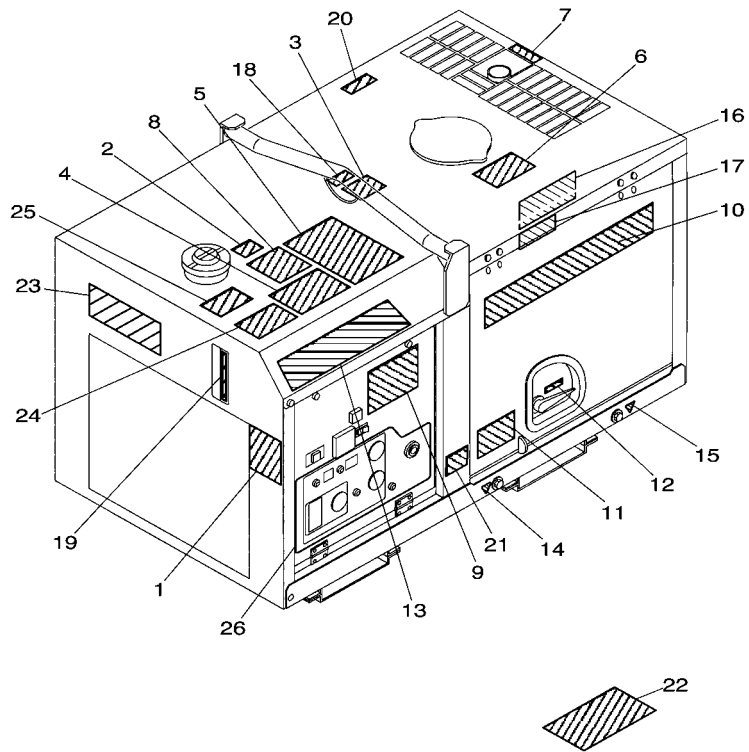
REF. NO.	PART NO.	DESCRIPTION	Q9CN				REMARKS
1	Y04-00000-00-15	FRAME, REAR	1				
2	Y04-00000-00-16	COVER, GAUGE	1				
3	YF0-17545-06-14	BOLT	8				
4	YFG-31023-01-20	COVER, GAUGE	1				
5	YF0-27515-00-60	NUT, FLANGE	4				
6	YF0-17545-08-16	BOLT	7				
7	YF0-27515-00-80	NUT, FLANGE	2				
8	YF0-17545-06-14	BOLT	1				
9	Y04-00000-00-17	COVER	1				
10	YF0-17545-08-16	BOLT	1				
11	YF0-17545-06-14	BOLT	2				
12	YF0-17545-06-14	BOLT	1				



FWD
Q9CN110-L390

FIG. 39 FRAME 5

REF. NO.	PART NO.	DESCRIPTION	Q9CN				REMARKS
1	Y04-00000-00-21	DOOR, CHECK	1				
2	YFG-31024-02-70	SPONGE, DOOR	1				
3	YFG-31024-03	CUSHION, DOOR	1				
4	YFG-31024-03-10	CUSHION, DOOR	1				
5	Y04-00000-00-22	CUSHION, DOOR SIDE	2				
6	YF1-89613-00-30	CLASP	1				
7	YF1-21785-64-10	SPRING, GOVERNOR	1				
8	YFG-31023-00-80	HANDLE ASSY	1				
9	YF1-89613-24-20	CLIP, PANEL	4				
10	Y04-00000-00-23	BOLT	4				
11	YF1-89613-12-70	STOPPER, DOOR	1				
12	YF0-40135-00-80	WASHER, PLATE	1				
13	YF0-55156-08	PIN, SNAP	1				
14	Y04-00000-00-24	WASHER	4				




 Q9CN110-L400

FIG. 40 LABELS

REF. NO.	PART NO.	DESCRIPTION	Q9CN				REMARKS
1	Y04-00000-00-30	NAME PLATE	1				
2	YFG-31025-09-02	LABEL, FUEL	1				
3	Y04-00000-00-31	LABEL, HOOK CAUTION	1				
4	Y04-00000-00-32	LABEL, CAUTION VENTI	1				
5	YFG-39078-82-30	LABEL, INSTRUCTION	1				
6	Y04-00000-00-33	LABEL, RADIATOR CAUTION	1				
7	Y04-00000-00-34	LABEL, HIGH TEMPERAT.	1				
8	YFG-31028-84-10	LABEL, FUEL	1				
9	YFG-39078-83-10	LABEL, WIRING CAUTION	1				
10	Y04-00000-00-35	LABEL (EDL7000SDE)	1				
11	Y04-00000-00-36	LABEL, CAUTION	1				
12	YF1-89015-06-30	LABEL, HANDLE	1				
13	Y04-00000-00-37	LABEL, YAMAHA	1				
14	YF1-89015-13-50	LABEL, DRAIN	1				
15	YF1-89615-13-50	LABEL, DRAIN	1				
16	YFG-39078-83-30	LABEL, STOP	1				
17	YF6-C0405-55-90	LABEL, BATTERY	1				
18	YFG-31028-84-70	LABEL, MASS	1				
19	YFG-31028-84-20	LABEL, FE	1				
20	Y04-00000-00-38	LABEL, HI-TEMP.	1				
21	YFG-31028-83-70	LABEL, GROUND	1				
22	YFG-31128-72-20	MARK	1				
23	Y04-00000-00-39	LABEL, WARNING	1				
24	YFG-31028-83-80	LABEL, WARNING	1				
25	YFG-31028-83-90	LABEL, WARNING	1				
26	YFG-31022-43-10	LABEL, PANEL	1				

NUMERICAL INDEX

PART NO.	REF. NO.	PART NO.	REF. NO.	PART NO.	REF. NO.	PART NO.	REF. NO.	PART NO.	REF. NO.	PART NO.	REF. NO.
Y04-00000-00-01	30 - 1	YF0-10235-06-20	13 - 18	YF0-17545-08-16	21 - 8	YF0-27615-00-40	14 - 14	YFG-31024-03-50	21 - 12	YF3-40701-60-30	34 - 13
Y04-00000-00-02	31 - 28	YF0-10235-06-22	7 - 10		27 - 13	YF0-27615-00-60	23 - 22		38 - 3	YF3-41503-45-90	31 - 8
Y04-00000-00-03	32 - 1		20 - 7		27 - 15	YF0-27835-01	6 - 9	YFG-31024-03-60	38 - 4	YF1-43014-23-60	16 - 3
Y04-00000-00-04	33 - 2	YF0-10235-06-32	19 - 12		28 - 2	YF0-30245-05-10	5 - 5	YFG-31024-03-70	21 - 4	YF1-43017-47-80	23 - 13
Y04-00000-00-05	34 - 1	YF0-10235-06-35	15 - 11		32 - 23	YF0-30245-05-20	14 - 11		21 - 13	YF1-44311-24-30	28 - 11
Y04-00000-00-06	34 - 2	YF0-10235-06-38	20 - 8		34 - 3	YF0-30345-05-10	16 - 10	YFG-31025-09-02	40 - 2	YF0-45125-00-50	15 - 9
Y04-00000-00-07	34 - 4	YF0-10235-06-45	25 - 5		34 - 5	YFG-31016-75-80	21 - 30	YFG-31026-75-82	16 - 14	YF0-45125-00-60	12 - 11
Y04-00000-00-08	34 - 6	YF0-10235-06-50	4 - 14		34 - 7	YFG-31020-21-10	30 - 17	YFG-31026-79-10	34 - 15	YF0-45125-00-80	18 - 21
Y04-00000-00-09	34 - 8	YF0-10235-06-55	4 - 15		34 - 9	YFG-31020-21-50	30 - 14	YFG-31028-83-70	40 - 21		26 - 9
Y04-00000-00-10	35 - 1	YF0-10235-06-60	4 - 18		35 - 2	YFG-31020-22-10	30 - 11	YFG-31028-83-80	40 - 24	YF0-45125-01	23 - 17
Y04-00000-00-11	35 - 5		19 - 5		35 - 6	YFG-31020-23	30 - 3	YFG-31028-83-90	40 - 25	YF0-45125-00-80	28 - 5
Y04-00000-00-12	35 - 7	YF0-10235-06-70	4 - 19		35 - 10	YFG-31020-23-20	30 - 9	YFG-31028-84-10	40 - 8	YF1-46010-34-50	3 - 10
Y04-00000-00-13	36 - 1	YF0-10235-06-80	4 - 20		36 - 7	YFG-31020-23-50	30 - 6	YFG-31028-84-20	40 - 19	YF1-46011-32-40	8 - 17
Y04-00000-00-14	36 - 5	YF0-11235-08-14	2 - 6		37 - 6	YFG-31020-24-02	30 - 2	YFG-31028-84-70	40 - 18	YF1-46011-33-30	8 - 18
Y04-00000-00-15	37 - 1	YF0-11235-08-16	3 - 2		37 - 10	YFG-31020-25-50	30 - 25	YFG-31029-10-10	30 - 8	YF1-46011-33-60	8 - 19
Y04-00000-00-16	37 - 2	YF0-11235-08-20	9 - 5	YF0-17545-08-20	28 - 9	YFG-31020-28	30 - 5	YFG-31029-10-50	31 - 30	YF1-46011-42-40	8 - 32
Y04-00000-00-17	37 - 9	YF0-11235-08-25	18 - 19		38 - 8	YFG-31020-32-12	31 - 1	YFG-31029-10-60	32 - 10	YF1-46011-43-12	8 - 29
Y04-00000-00-18	38 - 1	YF0-11236-08-14	9 - 7	YF0-17545-08-25	23 - 20	YFG-31020-33-80	31 - 15	YFG-31029-40-10	30 - 7	YF0-46110-04	23 - 14
Y04-00000-00-19	38 - 6	YFG-11312-09-20	31 - 19	YF0-17545-08-30	27 - 16	YFG-31020-34	31 - 16	YFG-31120-35-20	31 - 18	YF0-46120-01-70	10 - 11
Y04-00000-00-20	38 - 7	YF0-11335-10-22	34 - 20		30 - 30	YFG-31020-35-10	31 - 3	YFG-31120-40-60	32 - 21	YF3-46703-45-30	32 - 17
Y04-00000-00-21	39 - 1	YF1-11514-13-50	16 - 6	YF0-17545-08-40	7 - 2	YFG-31020-37-10	32 - 20	YFG-31128-72-20	40 - 22		32 - 25
Y04-00000-00-22	39 - 5	YFG-11520-34-30	31 - 14	YF0-17545-08-65	16 - 17	YFG-31020-38	31 - 2	YFG-31160-34	31 - 13	YF0-47170-13-20	1 - 16
Y04-00000-00-23	39 - 10	YF0-12055-06-12	32 - 12	YF0-17745-10-16	33 - 7	YFG-31020-38-10	32 - 14	YF1-39013-37-50	21 - 32	YF0-47240-01-20	21 - 33
Y04-00000-00-24	39 - 14	YF3-12201-41-70	9 - 6	YF0-17745-10-40	9 - 11	YFG-31020-38-70	31 - 27		29 - 6		29 - 5
Y04-00000-00-25	27 - 12	YF1-14201-31-50	8 - 21	YF1-19827-24-60	35 - 3	YFG-31020-40-60	27 - 21	YFG-39069-32-60	31 - 20	YF0-48140-01-50	4 - 7
Y04-00000-00-26	21 - 3	YF0-15135-06-18	26 - 4	YF0-20565-00-60	13 - 16		33 - 8	YFG-39069-40-10	30 - 22	YF0-48140-01-60	2 - 5
Y04-00000-00-27	21 - 7	YF0-15135-08-22	26 - 6		13 - 23	YFG-31020-44-40	30 - 10		31 - 35	YF0-48141-00-70	13 - 11
Y04-00000-00-28	21 - 9	YF0-17545-06-10	23 - 2	YF0-21145-00-80	28 - 6	YFG-31021-05-60	30 - 4	YFG-39070-28-50	32 - 16	YF0-48141-01-60	13 - 5
Y04-00000-00-30	40 - 1	YF0-17545-06-12	11 - 13	YF0-21565-00-80	18 - 20	YFG-31022-43-10	40 - 26	YFG-39070-34-10	32 - 9	YF0-48141-62-20	7 - 33
Y04-00000-00-31	40 - 3	YF0-17545-06-14	21 - 5		26 - 8	YFG-31023-00-80	39 - 8	YFG-39070-34-80	32 - 22	YF0-48145-03	2 - 8
Y04-00000-00-32	40 - 4		21 - 16	YF0-21765-01	23 - 16	YFG-31023-01-20	37 - 4	YFG-39070-39-80	31 - 32	YF0-48145-06	4 - 6
Y04-00000-00-33	40 - 6		21 - 21	YF1-21785-64-10	39 - 7	YFG-31023-02	33 - 1	YFG-39071-07-30	30 - 16	YF0-48170-00-60	16 - 21
Y04-00000-00-34	40 - 7		21 - 34	YF1-26910-70-44	7 - 11	YFG-31023-03-80	31 - 29	YFG-39076-02-50	32 - 8	YF1-49114-27-50	12 - 14
Y04-00000-00-35	40 - 10		28 - 7	YF3-27215-82-03	27 - 1	YFG-31023-05-20	16 - 9	YFG-39078-82-30	40 - 5		16 - 13
Y04-00000-00-36	40 - 11		29 - 7	YF3-27215-82-12	27 - 2	YFG-31023-05-60	34 - 17	YFG-39078-83-10	40 - 9		16 - 19
Y04-00000-00-37	40 - 13		31 - 36	YF3-27215-82-20	27 - 3	YFG-31023-05-70	34 - 18	YFG-39078-83-30	40 - 16		21 - 29
Y04-00000-00-38	40 - 20		31 - 37	YF3-27215-82-42	27 - 11	YFG-31023-45	31 - 6	YFG-39078-84-40	32 - 15	YF1-49714-27-50	14 - 4
Y04-00000-00-39	40 - 23		32 - 24	YF3-27215-82-82	27 - 6	YFG-31024-02	36 - 2	YFG-39079-11-60	30 - 28		16 - 16
YF0-10235-06-10	8 - 25		34 - 11	YF0-27515-00-60	4 - 26	YFG-31024-02-10	36 - 3		31 - 34	YF0-50120-05-08	1 - 9
YF0-10235-06-12	8 - 8		34 - 16		22 - 4	YFG-31024-02-20	21 - 10	YFG-39079-13-20	31 - 21	YF0-50120-06-08	7 - 4
	10 - 13		35 - 4		33 - 4	YFG-31024-02-30	21 - 11	YFG-39079-13-50	31 - 33	YF0-50120-08-14	1 - 10
YF0-10235-06-14	2 - 2		36 - 6		37 - 5	YFG-31024-02-50	35 - 8	YFG-39490-35-10	31 - 17	YF1-50213-36-60	11 - 5
	8 - 14		37 - 3	YF0-27515-00-80	21 - 14	YFG-31024-02-60	35 - 9	YF1-39615-72-40	23 - 21	YF1-51093-36-60	16 - 8
YF0-10235-06-16	17 - 3		37 - 8		34 - 21	YFG-31024-02-70	39 - 2	YF0-40135-00-60	4 - 16	YF1-52210-17-50	3 - 1
	19 - 4		37 - 11		35 - 11	YFG-31024-02-80	38 - 2		19 - 6	YF1-52211-17-20	27 - 18
YF0-10235-06-18	4 - 13		37 - 12		36 - 8	YFG-31024-02-90	36 - 4	YF0-40135-00-80	9 - 8	YF1-52213-36-50	1 - 11
	4 - 29	YF0-17545-06-40	8 - 27		37 - 7	YFG-31024-03	39 - 3		39 - 12	YF1-52213-90-13	6 - 10
	25 - 4	YF0-17545-08-12	16 - 11	YF0-27565-00-60	26 - 5	YFG-31024-03-10	39 - 4	YF3-40701-60-30	21 - 6	YF1-52215-12-10	17 - 4

NUMERICAL INDEX

PART NO.	REF. NO.	PART NO.	REF. NO.	PART NO.	REF. NO.	PART NO.	REF. NO.	PART NO.	REF. NO.	PART NO.	REF. NO.
YF1-52218-82-10	4 - 25	YF0-57120-05-15	7 - 29	YF1-58415-71-12	13 - 2	YF1-58419-88-10	14 - 28	YF1-60015-39-04	14 - 15	YF1-68710-41-30	4 - 12
YF1-52317-47-70	23 - 9		10 - 4	YF1-58415-72-12	13 - 17	YF1-58419-88-20	14 - 28	YF1-62417-33-70	5 - 2	YF1-68711-44-30	8 - 23
YF1-52413-20-94	6 - 1	YF0-57120-05-18	8 - 6	YF1-58417-29-23	19 - 3	YF1-58419-88-30	14 - 28		19 - 2	YF1-68712-13-10	7 - 18
YF1-52413-22-90	4 - 8	YF1-58215-20-30	17 - 1	YF1-58417-29-60	22 - 5	YF1-58419-88-40	14 - 28	YF1-62593-29	4 - 5	YF1-68716-38-20	9 - 2
YF1-52486-35-90	31 - 10	YF1-58410-45-40	7 - 14	YF1-58417-42-50	23 - 1	YF1-58419-88-50	14 - 28	YF1-62596-02-50	32 - 5	YF1-68717-34-30	20 - 6
YF1-52486-37	31 - 12	YF1-58410-45-62	7 - 15	YF1-58419-10-10	4 - 17	YF1-58419-88-60	14 - 28	YF1-62645-21-40	17 - 2	YF1-68719-10-50	13 - 19
YF1-52610-33-70	3 - 5	YF1-58410-48-03	7 - 6	YF1-58419-10-50	6 - 6	YF1-58419-88-70	14 - 28	YF0-63115-50-20	1 - 15	YF1-68719-10-60	12 - 8
YF1-52611-17-20	27 - 19	YF1-58410-48-15	7 - 7	YF1-58419-15	12 - 9	YF1-58419-88-80	14 - 28	YF0-63313-50-12	16 - 7	YF1-68719-73	10 - 10
YF1-52612-13-30	7 - 19	YF1-58410-48-23	7 - 9	YF1-58419-15-10	22 - 3	YF1-58419-88-90	14 - 28	YF1-64156-56	32 - 6	YF1-68757-27-04	19 - 1
YF1-52615-54-70	10 - 8	YF1-58411-18-20	25 - 3	YF1-58419-23-20	12 - 10	YF1-58419-89	14 - 28	YF1-64755-32-80	14 - 22	YF1-68785-77-42	13 - 8
YF1-52616-64-10	15 - 8	YF1-58411-35-40	3 - 8	YF1-58419-23-30	11 - 11	YF1-58419-89-10	14 - 28	YF6-65915-42-50	12 - 15	YF1-68785-79-20	13 - 12
YF1-52619-20-20	11 - 3	YF1-58411-35-60	3 - 9	YF1-58419-40-22	8 - 24	YF1-58419-89-20	14 - 28	YF1-66625-56-20	15 - 10	YF1-69020-35-50	31 - 4
YF1-52619-60-10	1 - 5	YF1-58411-40-36	8 - 30	YF1-58419-40-40	14 - 23	YF1-58446-46-03	32 - 3	YF1-68057-28-60	22 - 1	YF1-69709-10-30	31 - 23
	3 - 7	YF1-58411-42-30	8 - 31	YF1-58419-56-80	12 - 12	YF1-58520-43-60	7 - 5	YF1-68057-28-70	22 - 2	YF1-71473-33-90	29 - 2
YF1-52619-61-60	1 - 8	YF1-58411-42-64	8 - 22	YF1-58419-60-20	3 - 6	YF1-58524-25-02	14 - 1	YF1-68510-33-12	3 - 11	YF1-71476-06-04	32 - 2
YF1-52631-23-70	26 - 7	YF1-58411-61-20	8 - 3	YF1-58419-66-50	12 - 3	YF1-58526-30-20	18 - 3	YF1-68510-40-40	7 - 12	YF6-71565-88-32	24 - 8
	28 - 3	YF1-58411-62-70	8 - 7	YF1-58419-66-60	12 - 5	YF1-58526-32-40	18 - 5	YF1-68511-23-60	26 - 2	YF1-72147-20-20	21 - 2
	28 - 8	YF1-58411-63-20	10 - 12	YF1-58419-81	14 - 27	YF1-58526-32-50	18 - 17	YF1-68511-32-80	8 - 20		21 - 20
YF1-52634-20-10	12 - 13	YF1-58412-32-50	7 - 31	YF1-58419-85-10	14 - 28	YF1-58526-33-60	18 - 12	YF1-68511-51-10	8 - 2	YF1-73315-91-90	1 - 12
YF1-52717-41-90	23 - 7	YF1-58412-41-10	7 - 28	YF1-58419-85-20	14 - 28	YF1-58526-33-70	18 - 15	YF1-68511-55-52	8 - 1		1 - 13
YF1-52717-43-20	23 - 6	YF1-58413-56-60	6 - 7	YF1-58419-85-30	14 - 28	YF1-58526-33-80	18 - 13	YF1-68511-62-12	1 - 14	YF1-74467-49-40	23 - 15
YF1-52717-44-30	23 - 12	YF1-58413-69-30	4 - 10	YF1-58419-85-40	14 - 28	YF1-58526-33-90	18 - 14	YF1-68512-11-14	7 - 16	YF1-74563-64-20	6 - 3
YF1-53219-62-60	3 - 4	YF1-58414-25	14 - 2	YF1-58419-85-50	14 - 28	YF1-58526-34-10	18 - 10	YF1-68512-19-03	7 - 16	YF1-74786-02-20	32 - 7
YF3-53402-93-80	34 - 19	YF1-58414-25-20	14 - 3	YF1-58419-85-60	14 - 28	YF1-58527-33-40	20 - 5	YF1-68512-19-82	7 - 21	YF1-74787-02	31 - 7
YF5-53648-17-40	29 - 3	YF1-58415-13-20	12 - 2	YF1-58419-85-70	14 - 28	YF1-58527-35-23	20 - 2	YF1-68512-21-40	7 - 22	YF1-75290-40-25	4 - 1
YF0-54110-03-14	13 - 10	YF1-58415-13-50	12 - 4	YF1-58419-85-80	14 - 28	YF1-58527-35-50	20 - 3	YF1-68512-30-13	7 - 25	YF1-75297-49-50	23 - 8
YF0-54110-03-18	15 - 7	YF1-58415-13-60	14 - 5	YF1-58419-85-90	14 - 28	YF1-58529-33-10	18 - 18	YF1-68513-21-10	2 - 4	YF1-75388-30-40	19 - 13
YF0-54110-04-20	8 - 28	YF1-58415-31-60	14 - 21	YF1-58419-86	14 - 28	YF1-58612-23-14	7 - 23	YF1-68513-50-12	6 - 4	YF1-75485-10-14	12 - 1
YF1-54519-62-70	1 - 4	YF1-58415-31-70	14 - 19	YF1-58419-86-10	14 - 28	YF1-58612-29-73	7 - 23	YF1-68513-51-52	6 - 5	YF1-75485-60-55	15 - 3
YF1-54817-30-50	20 - 4	YF1-58415-32-30	14 - 18	YF1-58419-86-20	14 - 28	YF1-58612-29-83	7 - 23	YF1-68513-69-50	4 - 9	YF1-75495-64-10	15 - 2
YF1-55017-24-70	24 - 10		14 - 28	YF1-58419-86-30	14 - 28	YF1-58612-34-74	7 - 30	YF1-68515-11-50	10 - 3	YF1-75615-70-13	13 - 1
YF0-55156-08	39 - 13	YF1-58415-33-50	14 - 20	YF1-58419-86-40	14 - 28	YF1-58612-34-84	7 - 13	YF1-68515-36-10	14 - 24	YF1-75631-23-10	26 - 1
YF1-55219-60-20	1 - 6	YF1-58415-36-22	14 - 25	YF1-58419-86-50	14 - 28	YF1-58612-38-63	7 - 13	YF1-68515-77-24	13 - 9	YF1-75639-10-10	4 - 21
YF1-55219-60-30	1 - 7	YF1-58415-38-50	14 - 9	YF1-58419-86-60	14 - 28	YF1-58612-38-73	7 - 13	YF1-68516-00-14	11 - 12	YF1-75947-43-30	23 - 10
	4 - 2	YF1-58415-38-60	14 - 10	YF1-58419-86-70	14 - 28	YF1-58612-39-13	7 - 30	YF1-68516-55-12	14 - 12	YF1-75947-44-30	23 - 11
YF1-55317-24-10	24 - 2	YF1-58415-40-92	11 - 1	YF1-58419-86-80	14 - 28	YF1-58612-39-23	7 - 30	YF1-68516-55-60	14 - 13	YF0-77150-04-01	8 - 4
YF1-55317-24-22	24 - 5	YF1-58415-41	11 - 2	YF1-58419-86-90	14 - 28	YF1-58752-40-15	8 - 9	YF1-68517-32-70	19 - 11	YF0-77150-08-01	10 - 7
YF1-55317-24-32	24 - 6	YF1-58415-41-23	11 - 7	YF1-58419-87	14 - 28	YF1-58752-42-50	8 - 13	YF1-68517-33-50	19 - 7	YF0-77150-32-07	7 - 26
YF1-55317-30-13	19 - 9	YF1-58415-42-20	11 - 4	YF1-58419-87-10	14 - 28	YF1-58752-42-84	8 - 10	YF1-68517-42-80	23 - 3	YF0-77150-32-11	4 - 11
YF1-55332-51-62	9 - 3	YF1-58415-42-70	11 - 6	YF1-58419-87-20	14 - 28	YF1-58752-43-20	8 - 12	YF1-68519-62-60	1 - 2	YF0-77150-32-17	10 - 9
YF1-56019-66-50	11 - 9	YF1-58415-54-52	10 - 5	YF1-58419-87-30	14 - 28	YF1-58752-43-70	8 - 11	YF1-68519-62-70	1 - 3	YF6-79555-86-30	21 - 18
	14 - 6	YF1-58415-56-92	10 - 6	YF1-58419-87-40	14 - 28	YF1-58770-41-40	4 - 22	YF1-68530-10-22	1 - 1		21 - 26
YF1-56917-32-60	19 - 10	YF1-58415-60-60	15 - 4	YF1-58419-87-50	14 - 28	YF1-58812-33-10	7 - 32	YF1-68532-10-50	7 - 17	YF6-79808-25-30	27 - 5
YF1-56942-34-82	7 - 3	YF1-58415-61-12	13 - 3	YF1-58419-87-60	14 - 28	YF1-58819-10-30	23 - 4	YF1-68532-10-90	7 - 17	YF6-79808-25-80	27 - 9
YF1-56942-39-32	7 - 3	YF1-58415-61-30	15 - 5	YF1-58419-87-70	14 - 28	YF1-60015-20-90	12 - 6	YF1-68532-30-33	7 - 24	YF1-81030-28-50	30 - 21
YF1-56942-39-42	7 - 3	YF1-58415-61-50	15 - 6	YF1-58419-87-80	14 - 28	YF1-60015-21-10	12 - 6	YF1-68641-65-10	8 - 5	YF0-81530-62-03	10 - 2
YF1-56946-59-90	32 - 4	YF1-58415-62-80	4 - 3	YF1-58419-87-90	14 - 28	YF1-60015-21-20	12 - 7	YF1-68665-73-02	13 - 13	YF1-84100-34-10	31 - 5
YF0-57120-04-08	6 - 8	YF1-58415-64-80	15 - 1	YF1-58419-88	14 - 28	YF1-60015-30-02	14 - 17	YF1-68669-20-10	13 - 7	YF1-84100-55	31 - 24

NUMERICAL INDEX

PART NO.	REF. NO.	PART NO.	REF. NO.	PART NO.	REF. NO.	PART NO.	REF. NO.	PART NO.	REF. NO.	PART NO.	REF. NO.
YF1-84100-55	31 - 26	YF0-96618-02-60	16 - 18	YF1-G2917-49	23 - 5						
YF1-84419-19-60	30 - 27	YF0-96618-05	21 - 28	YF1-G2917-51-10	38 - 5						
YF1-84906-13-50	31 - 9	YF1-96829-80-62	4 - 27	YF1-G2918-45-22	9 - 10						
YF1-85510-28-80	30 - 20	YF1-97019-70-10	23 - 18	YF1-G2921-16-20	27 - 20						
YF1-86090-29-40	30 - 24	YF1-98376-30-10	18 - 1	YF1-G2927-22-60	21 - 15						
YF1-87020-44-70	31 - 25	YF1-98376-30-30	18 - 4	YF1-G2927-41-50	23 - 19						
YF1-87050-28-90	30 - 29	YF1-98376-30-40	18 - 7	YF1-G3043-64-10	6 - 2						
YF1-87150-39-70	30 - 15	YF1-98376-30-50	18 - 2	YF1-G3134-35-60	16 - 26						
YF1-88010-25-60	30 - 26	YF1-98376-30-70	18 - 9	YF1-G3134-35-70	16 - 27						
YF1-88010-27-50	30 - 19	YF1-98376-30-80	18 - 11	YF1-G3134-35-80	16 - 23						
YF1-88010-27-60	30 - 18	YF1-98376-31-50	18 - 6	YF1-G3134-36-50	16 - 25						
YF1-88059-10-20	30 - 13	YF1-98376-32	18 - 16	YF1-G4601-60-20	10 - 1						
YF1-88071-05-90	32 - 11	YF1-98376-33-20	18 - 8	YF1-G6393-28-80	4 - 4						
YF1-88130-43-90	31 - 22	YF1-98397-24-40	24 - 9	YF1-G6395-71-50	13 - 6						
YF6-88414-43-40	9 - 9	YF6-A1008-25-30	27 - 4	YF1-G6861-31-10	8 - 15						
YF1-89010-40-60	31 - 31	YF6-A1008-25-50	27 - 7	YF1-G6861-31-20	8 - 16						
	32 - 19	YF6-A1008-25-70	27 - 8	YF1-G6865-37-10	14 - 7						
YF1-89011-57-80	30 - 23	YF6-C0405-54-12	31 - 11	YF1-G6865-37-20	14 - 8						
YF1-89013-05-80	34 - 14	YF6-C0405-55-90	40 - 17	YF1-G6872-20-10	7 - 20						
YF1-89015-06-30	40 - 12	YF6-C0609-94-10	27 - 10	YF1-G6877-33-62	19 - 8						
YF1-89015-13-50	40 - 14	YFR-C4114-23-10	21 - 19	YF1-G6890-30-42	3 - 3						
YF1-89131-58-30	32 - 13	YFR-C4114-28-60	24 - 7	YF1-G6895-21-60	12 - 7						
YF1-89610-26-10	30 - 12	YF1-E0517-30-34	20 - 1	YF1-G6895-22	12 - 6						
YF1-89613-00-30	39 - 6	YF1-E2504-30-10	16 - 20	YF3-G7041-73-90	24 - 4						
YF1-89613-12-10	34 - 12	YF1-E2504-31	16 - 22	YF1-G8010-51-20	5 - 4						
YF1-89613-12-70	39 - 11	YF1-E2508-84-30	16 - 24	YF1-G8269-20-32	14 - 16						
YF1-89613-13-10	34 - 10	YF1-G0219-66-50	11 - 10	YF1-G9110-52-03	5 - 3						
YF1-89613-24-20	39 - 9	YF1-G0315-42-10	11 - 8	YF1-G9119-10-22	5 - 7						
YF1-89615-13-50	40 - 15	YF1-G2910-15	2 - 1	YF1-G9571-17-72	25 - 1						
YF1-89633-32-90	33 - 3	YF1-G2910-16-20	2 - 3	YF1-G9571-45-04	5 - 1						
YF1-90775-36-50	14 - 26	YF1-G2910-46-10	9 - 4	YF1-G9571-45-20	5 - 6						
YFE-91513-31-40	2 - 7	YF1-G2911-16-20	27 - 17	YF1-G9581-43-50	8 - 26						
	5 - 10	YF1-G2911-21-10	28 - 1	YF1-G9590-55-50	25 - 2						
YF1-92029-10-10	13 - 14	YF1-G2911-24-02	28 - 4	YF1-G9600-55-13	5 - 8						
	13 - 15	YF1-G2912-50-13	9 - 1	YFH-H1503-20-94	6 - 1						
	13 - 22	YF1-G2913-32-10	29 - 1	YF1-J0019-67-70	5 - 11						
YF1-92152-32-80	7 - 27	YF1-G2913-37-40	29 - 4	YF1-J0020-70-90	7 - 1						
YF1-92159-91-60	7 - 8	YF1-G2914-10-12	16 - 1	YF1-J0909-10-10	26 - 3						
YF1-92805-72-40	13 - 4	YF1-G2914-10-32	16 - 4	YF1-J1341-24-10	28 - 10						
YF0-93188-81-25	5 - 9	YF1-G2914-13-42	16 - 5	YF1-K1901-12-50	27 - 14						
YF0-93188-90-30	21 - 27	YF1-G2914-17-10	16 - 2	YF1-K1925-71-03	13 - 20						
YF0-93188-90-33	21 - 24	YF1-G2916-55-62	33 - 5	YF1-K1925-71-10	13 - 21						
YF0-93188-90-45	21 - 23	YF1-G2916-55-70	33 - 6	YF1-K5914-28-50	24 - 3						
YF1-94618-33-40	4 - 23	YF1-G2917-20-60	21 - 1	YF1-K5917-24	24 - 1						
YF1-94618-81-32	4 - 24	YF1-G2917-28-50	21 - 25	YFR-P2015-39-20	32 - 18						
YF1-94833-31-23	4 - 28	YF1-G2917-29-40	21 - 22								
YF0-96614-01-90	16 - 15	YF1-G2917-29-50	21 - 17								
YF0-96618-01-50	16 - 12	YF1-G2917-31-70	21 - 31								