



PARTS CATALOGUE

EF1000FW (7C13) CHN,CSA



1L7C1-400E1

()

EF1000FW
PARTS CATALOGUE
©2012 by Yamaha Motor Co., Ltd.
1st edition, October 2012
All rights reserved.
Any reprinting or unauthorized use
without the written permission of
Yamaha Motor Co., Ltd.
is expressly prohibited.
Printed in Japan.

FOREWORD

This Parts Catalogue is related to the parts for the model(s) on the cover page. When you are ordering replacement parts, please refer to this Parts Catalogue and quote both part numbers and part names correctly.

1. Modifications or additions which have been made after the issue of the Parts Catalogue will be announced in the Parts News.

It is advisable that you make the necessary corrections to the Parts Catalogue according to the Parts News.

2. Abbreviations

The following abbreviations are used in this Parts Catalogue.

“UR” Use specified parts number.

“UN” Use as many as needed.

“AP” Alternate Parts

“LM” Locally Made (Parts need to be ordered locally)

“F#” Frame No. (Applicable machine No.)

“O/S” Over Size

3. The number of components for assembly

- Parts, which are to be supplied in an assembly, are listed with a dot (.) in front of the part name as shown below.
- The numeral appearing to the right of each component part indicates the quantity of parts for each assembly unit.

PART NO.	DESCRIPTION	Q'TY	REMARKS
2F5-83310-60	FRONT FLASHER LIGHT ASSY	2	
115-83311-60	.BULB (6V-18W)	1	

4. Applicable colours of graphics are represented in the “REMARKS” as shown below.

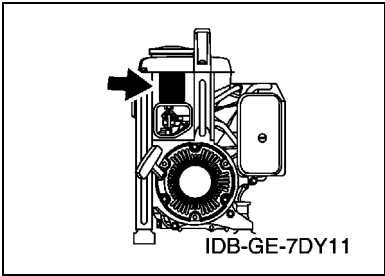
PART NO.	DESCRIPTION	Q'TY	REMARKS
2N4-24110-00-X5	FUEL TANK COMP.	2	MXR
3J1-24240-10	.GRAPHIC, FUEL TANK	1	FOR MXR

5. Note that the illustrations for reference in finding parts numbers are not to be used for assembling. When assembling, please use the applicable service manual.

6. The asterisk (*) before a reference number indicates modified items after the first edition.

FOREWORD

7. Applicable Serial No.
 Frame Serial No.



8. Applicable Colour Code (The (*) mark shows Model colour.)

Abbreviation	Colour Name	Colour Code
FWB(*)	FARAWAY BLUE	00NJ

9. Applicable Starting Serial No.
 *****Serial NO.

Model	Model Code	Destination	Voltage	Serial NO.
EF1000FW	7C13	CHN	220V-50Hz	7C1-0300101
EF1000FW	7C13	SEA	220V-50Hz	7C1-0350101

CONTENTS

CYLINDER HEAD	1
CRANKSHAFT & PISTON	2
GOVERNOR	3
CAMSHAFT & VALVE	4
AIR SHROUD & STARTER	5
INTAKE	6
CARBURETOR	7
EXHAUST	8
CRANKCASE	9
FUEL TANK	10
MAGNETO	11
ELECTRICAL	12
GENERATOR	13
CONTROL BOX 1	14
CONTROL BOX 2	16
LABELS	18
INDEX	
NUMERICAL INDEX	19

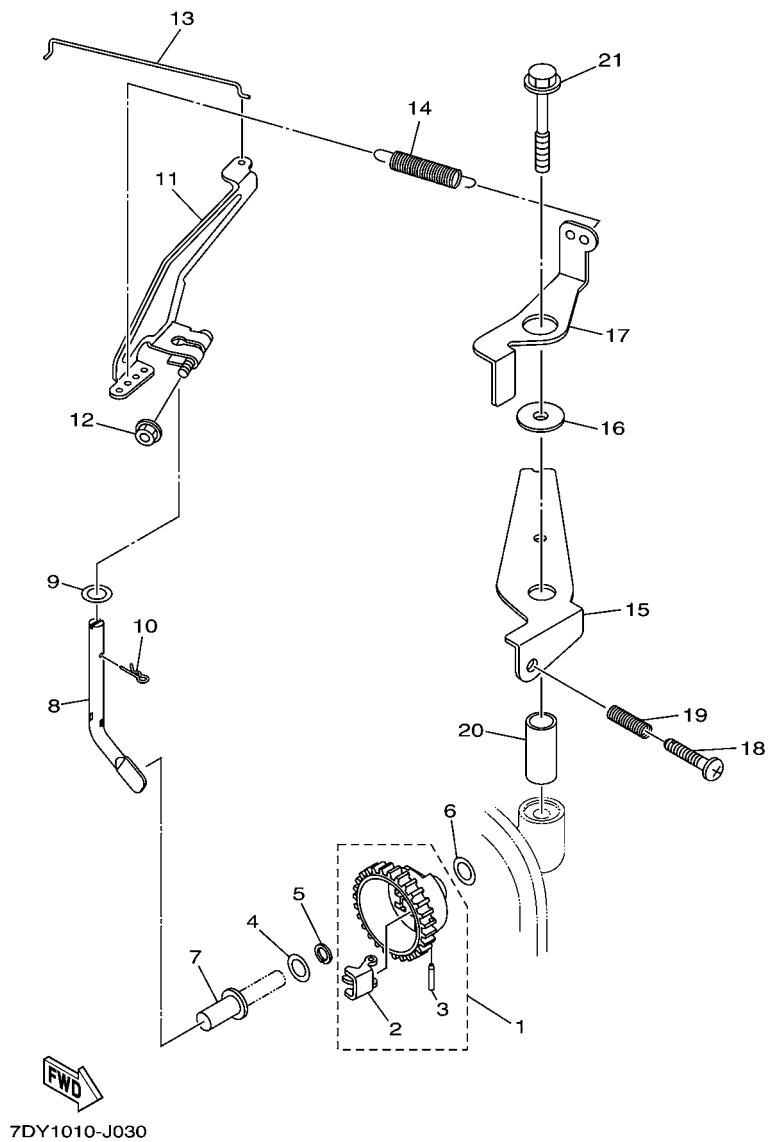
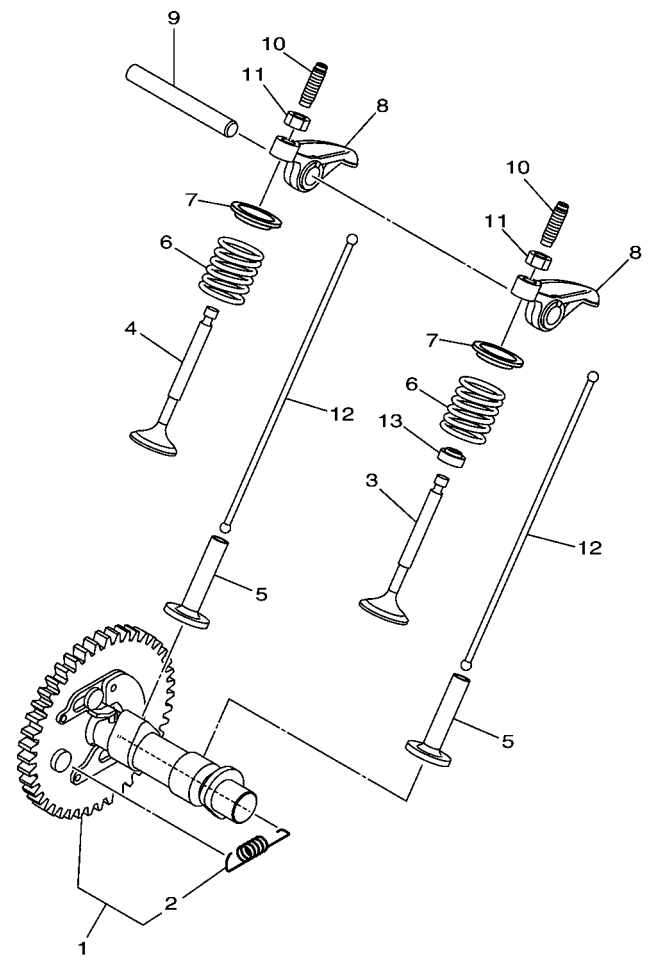


FIG. 3 GOVERNOR

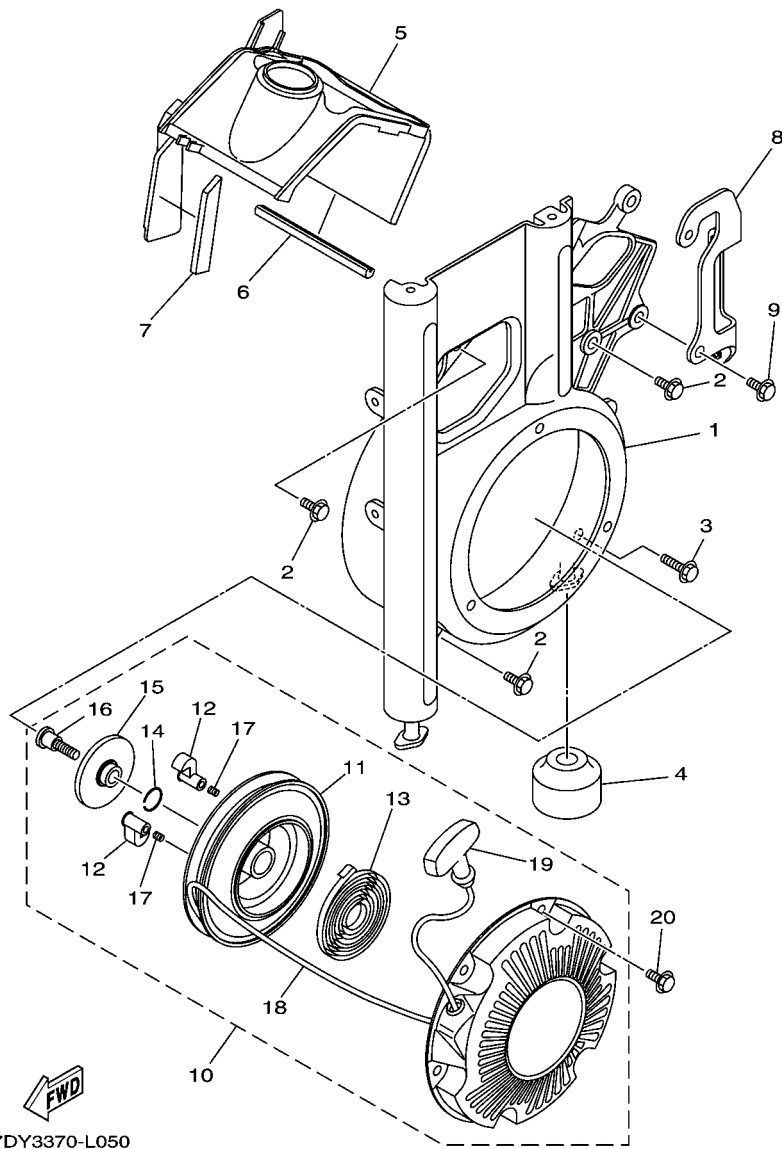
REF. NO.	PART NO.	DESCRIPTION	CHN	SEA				REMARKS
1	7CY-E1970-00	FLYWEIGHT SHAFT ASSY.	1	1				
2	7CY-E1913-00	.WEIGHT	2	2				
3	7CT-E1914-00	.SHAFT, WEIGHT	2	2				
4	90201-06842	WASHER, PLATE	1	1				
5	93440-06826	CIRCLIP	1	1				
6	90201-06842	WASHER, PLATE	1	1				
7	7CN-E1917-00	COLLAR	1	1				
8	7CY-E1922-00	FORK, GOVERNOR	1	1				
9	92902-06200	WASHER	1	1				
10	90468-18800	CLIP	1	1				
11	7CY-E1924-00	ARM, GOVERNOR	1	1				
12	95702-06500	NUT, FLANGE	1	1				
13	7CY-E1928-00	ROD, LINK	1	1				
14	90506-08803	SPRING, TENSION	1	1				
15	7CY-E1941-20	STAY	1	1				
16	90387-068F2	COLLAR	1	1				
17	7CY-E1951-20	PLATE	1	1				
18	7CN-E4922-01	SCREW, THROTTLE	1	1				
19	90501-090A8	SPRING, COMPRESSION	1	1				
20	7CY-E1934-00	PIPE 1	1	1				
21	95802-06045	BOLT, FLANGE	1	1				

FIG. 4 CAMSHAFT & VALVE



7DY1010-J041

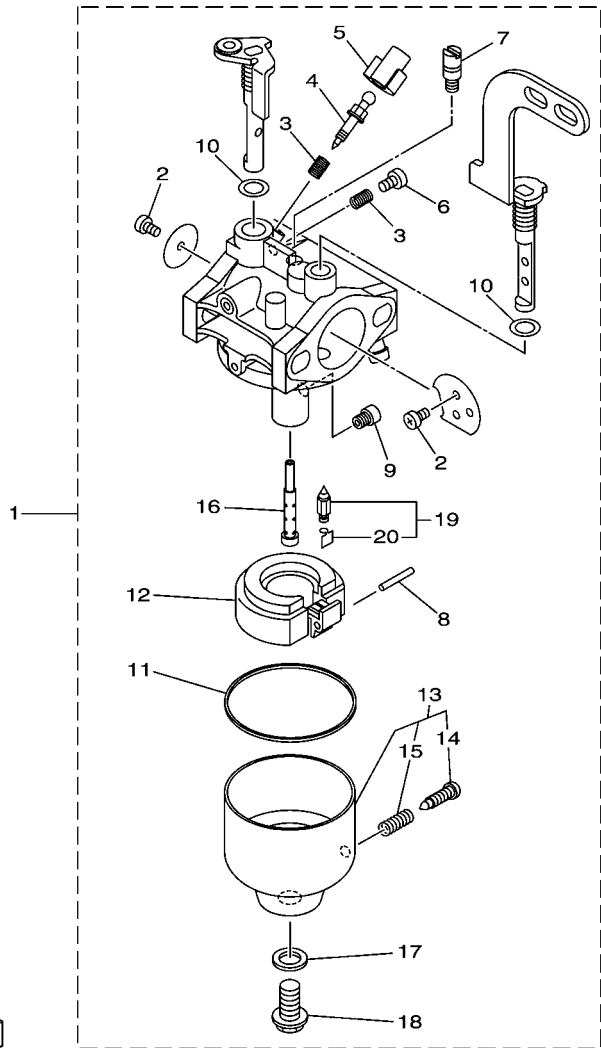
REF. NO.	PART NO.	DESCRIPTION	CHN	SEA			REMARKS
1	7DX-E2180-01	CAMSHAFT ASSY 2	1	1			
2	7DX-E2287-00	.SPRING, DECOMPRESSION	1	1			
3	7DX-E2111-10	VALVE, INTAKE	1	1			
4	7DX-E2121-10	VALVE, EXHAUST	1	1			
5	7DX-E2153-00	LIFTER, VALVE	2	2			
6	90501-20800	SPRING, COMPRESSION	2	2			
7	7CY-E2117-00	RETAINER, VALVE SPRING	2	2			
8	7DX-E2151-00	ARM, VALVE ROCKER	2	2			
9	7DX-E2156-00	SHAFT, ROCKER 2	1	1			
10	7CT-E2159-00	SCREW, VALVE ADJUSTING	2	2			
11	90170-05806	NUT	2	2			
12	7DX-E2154-00	ROD, VALVE PUSH	2	2			
13	7CY-E2119-00	SEAL, VALVE STEM	1	1			



7DY3370-L050

FIG. 5 AIR SHROUD & STARTER

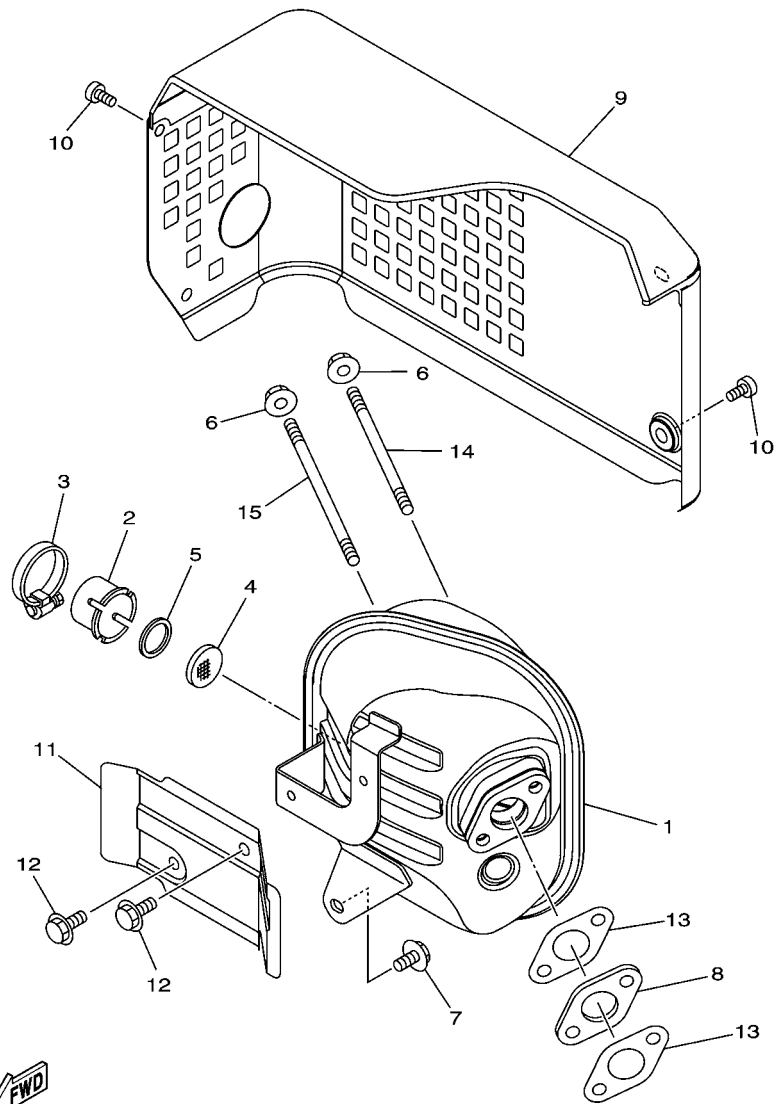
REF. NO.	PART NO.	DESCRIPTION	CHN	SEA			REMARKS
1	7CY-E2621-20	CASE, FAN	1	1			
2	95802-06020	BOLT, FLANGE	3	3			
3	95802-06050	BOLT, FLANGE	1	1			
4	7XC-F2891-21	INSULATOR, MOUNTING	2	2			
5	7CY-E2651-00	AIR SHROUD, CYLINDER 1	1	1			
6	90520-05801	DAMPER, PLATE	1	1			
7	7CY-E2658-00	DAMPER, AIR SHROUD 1	1	1			
8	7DY-E4772-00	STAY, MUFFLER 2	1	1			
9	95802-06012	BOLT, FLANGE	2	2			
10	7CY-E5710-00	STARTER ASSY	1	1			
11	7DX-E5714-00	.DRUM, SHEAVE	1	1			
12	7CN-E5741-01	.PAWL, DRIVE	2	2			
13	7CN-E5713-00	.SPRING, STARTER	1	1			
14	7CN-E5715-00	.SPRING, FRICTION	1	1			
15	7DX-E5716-00	.PLATE, DRIVE	1	1			
16	7CY-E5793-00	.SCREW	1	1			
17	7DX-E5734-00	.SPRING, RETURN	2	2			
18	7DX-E5751-00	.WIRE, STARTER	1	1			
19	7CN-E5755-00	.HANDLE, STARTER	1	1			
20	95802-06012	BOLT, FLANGE	3	3			




7DY3370-L071

FIG. 7 CARBURETOR

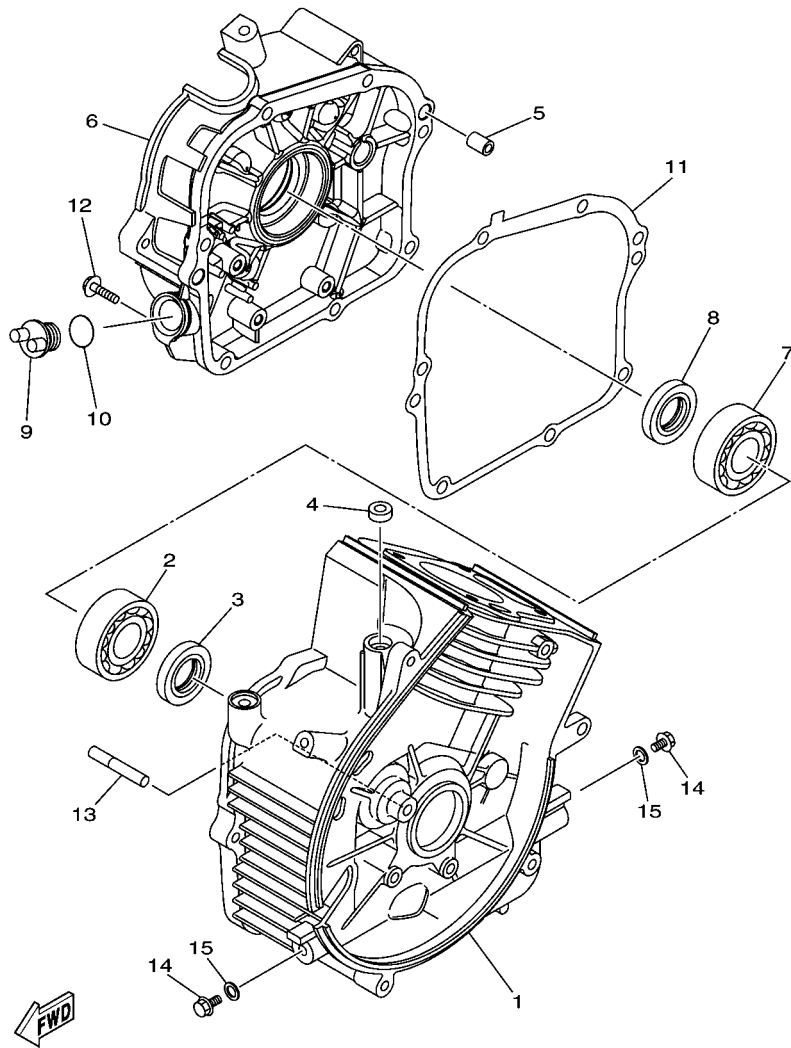
REF. NO.	PART NO.	DESCRIPTION	CHN	SEA	REMARKS
1	7CY-E4101-21	CARBURETOR ASSY 1	1	1	
2	7RH-14486-00	.SCREW, ROD	3	3	
3	73A-14212-00	.SPRING	2	2	
4	7NJ-14211-00	.SCREW, PILOT ADJUSTING	1	1	
5	7LV-14118-00	.CAP	1	1	
6	1WG-14922-00	.SCREW, THROTTLE	1	1	
7	620-14142-37-A0	.JET, PILOT (#37.5)	1	1	
8	22F-14186-00	.PIN, FLOAT	1	1	
9	3G2-1423A-62-A0	.JET, MAIN (#57.5)	1	1	
10	22F-14117-00	.WASHER, PLUG SCREW	2	2	
11	7CY-E4997-00	.SEAL	1	1	
12	7X9-14185-00	.FLOAT	1	1	
13	7RA-14181-00	.BODY, FLOAT CHAMBER 1	1	1	
14	7E1-14191-00	..PLUG, DRAIN	1	1	
15	73A-14212-00	..SPRING	1	1	
16	7TA-1495E-3B	.NOZZLE, MAIN	1	1	
17	127-14198-00	.GASKET	1	1	
18	7RA-14162-00	.BOLT, HOLDING	1	1	
19	7LG-14150-11	.NEEDLE ASSY	1	1	
20	7EG-14159-00	..CLIP	1	1	



7DY1010-J080

FIG. 8 EXHAUST

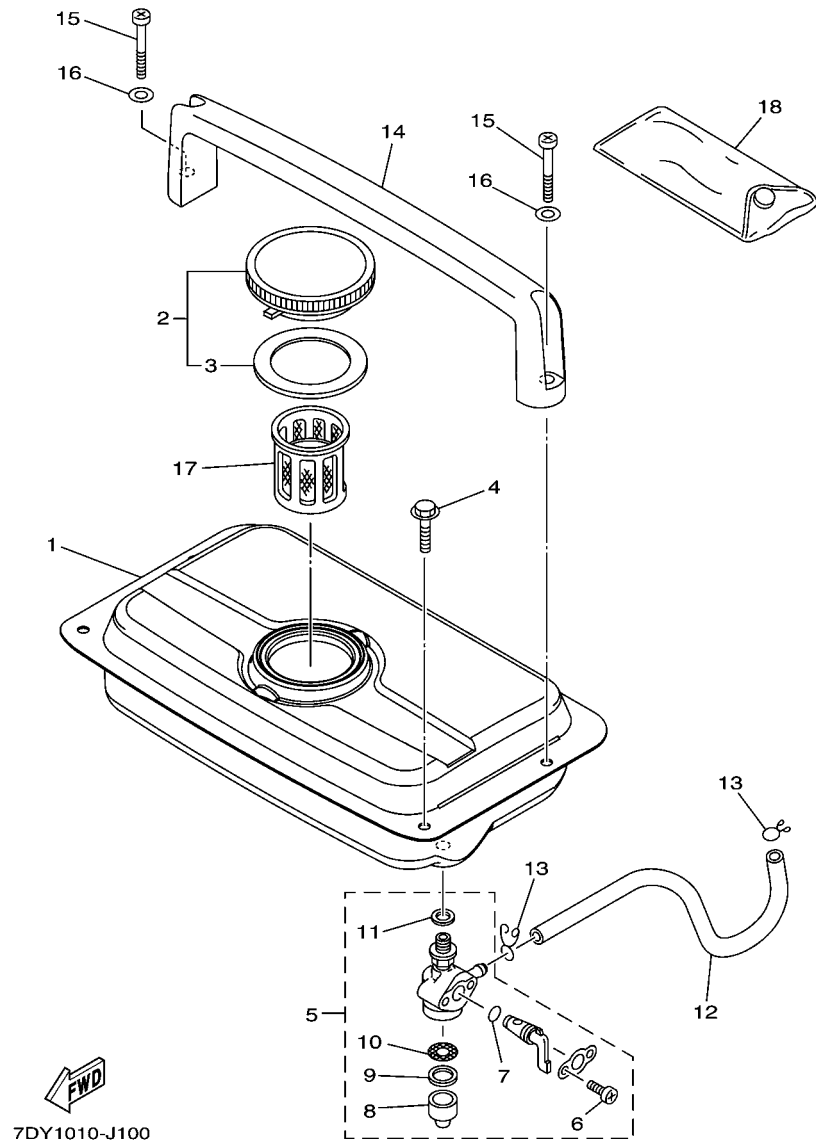
REF. NO.	PART NO.	DESCRIPTION	CHN	SEA			REMARKS
1	7C1-E4711-00	MUFFLER 1	1	1			
2	7CA-E4799-00	CAP	1	1			
3	90450-29801	HOSE CLAMP ASSY	1	1			
4	7CA-E479E-00	NET, WIRE 2	1	1			
5	90201-171J5	WASHER, PLAIN	1	1			
6	95702-06500	NUT, FLANGE	2	2			
7	95812-06012	BOLT, FLANGE	1	1			
8	7C1-E4615-00	JOINT, EXHAUST 1	1	1			
9	7C1-E4718-00	PROTECTOR, MUFFLER 1	1	1			
10	98902-06012	SCREW, BIND	4	4			
11	7C1-E4723-00	COVER 1	1	1			
12	95812-06012	BOLT, FLANGE	2	2			
13	7DX-E4613-00	GASKET, EXHAUST PIPE	2	2			
14	90116-06817	BOLT, STUD	1	1			
15	90116-06815	BOLT, STUD	1	1			



7DY1010-J090

FIG. 9 CRANKCASE

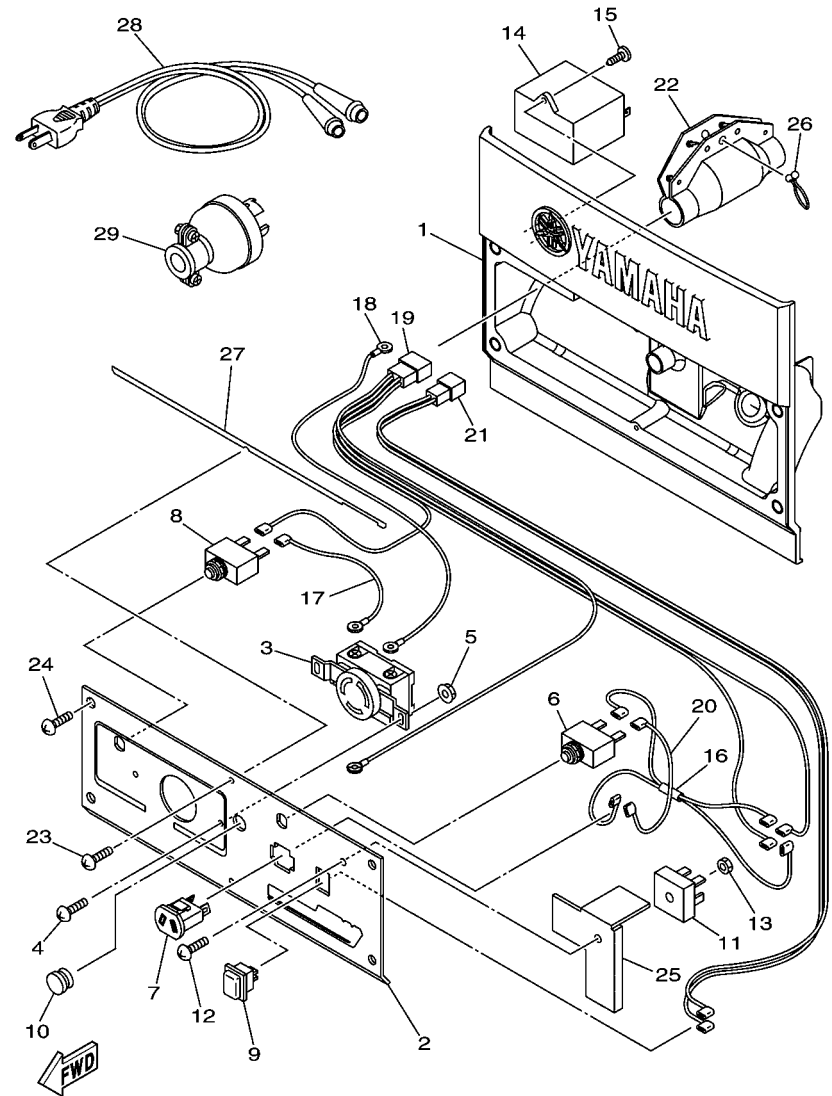
REF. NO.	PART NO.	DESCRIPTION	CHN	SEA			REMARKS
1	7CY-E5111-00	CRANKCASE 1	1	1			
2	93306-204YY	BEARING	1	1			
3	93102-20802	OIL SEAL	1	1			
4	93104-06062	OIL SEAL	1	1			
5	99530-08012	PIN, DOWEL	2	2			
6	7CY-E5411-20	COVER, CRANKCASE 1	1	1			
7	93306-204YY	BEARING	1	1			
8	93102-20802	OIL SEAL	1	1			
9	7DX-E5363-00	PLUG, OIL	1	1			
10	93210-15803	O-RING	1	1			
11	7CY-E5451-00	GASKET, CRANKCASE COVER 1	1	1			
12	95822-06020	BOLT, FLANGE	7	7			
13	7CN-E1971-00	SHAFT, FLYWEIGHT	1	1			
14	95022-10016	BOLT, FLANGE	2	2			
15	90430-10801	GASKET	2	2			



7DY1010-J100

FIG. 10 FUEL TANK

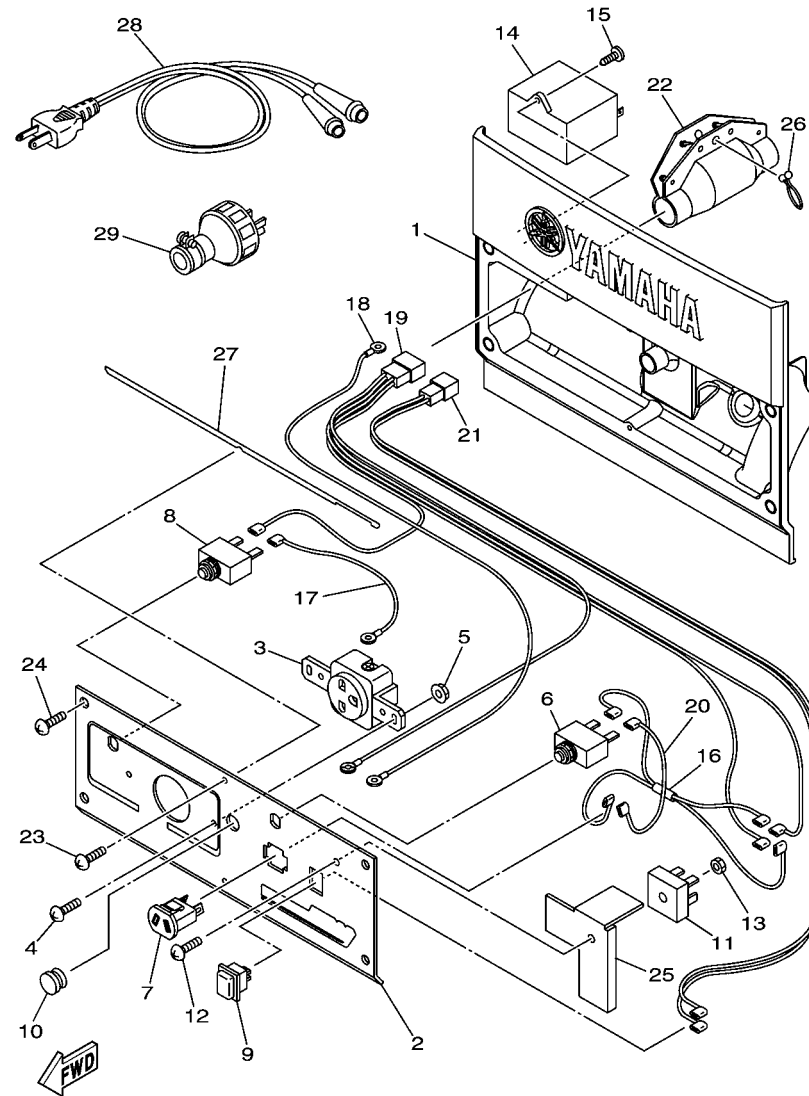
REF. NO.	PART NO.	DESCRIPTION	CHN	SEA			REMARKS
1	7C1-F4110-00	FUEL TANK COMP.	1	1			
2	7C2-F4610-00	CAP ASSY	1	1			
3	7C2-F4612-00	.PACKING, CAP	1	1			
4	95812-06012	BOLT, FLANGE	2	2			
5	7C1-F4500-00	FUEL COCK ASSY 1	1	1			
6	98507-03008	.SCREW, PAN HEAD	2	2			
7	7NJ-24534-00	.SEAL, COCK	1	1			
8	7J3-24521-00	.CUP, FILTER	1	1			
9	4X8-24565-00	.GASKET	1	1			
10	7NJ-24515-01	.NET, FILTER 2	1	1			
11	7NJ-24532-00	.GASKET	1	1			
12	7C1-F4311-00	PIPE, FUEL 1	1	1			
13	90467-09804	CLIP	2	2			
14	7C1-F4293-00	HANDLE TANK	1	1			
15	98502-06030	SCREW, PAN HEAD	2	2			
16	92902-06200	WASHER	2	2			
17	7C2-F4167-00	STRAINER	1	1			
18	7CA-F8100-01	TOOL KIT	1	1			



7C13400-L140

FIG. 14 CONTROL BOX 1

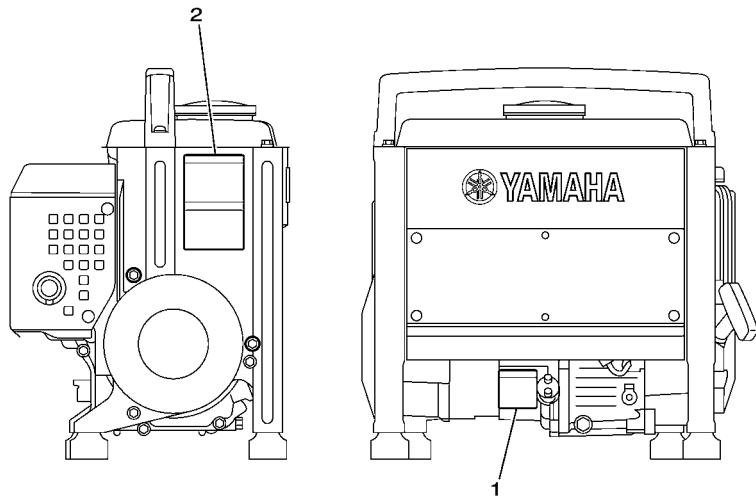
REF. NO.	PART NO.	DESCRIPTION	CHN	SEA	REMARKS
1	7C1-H7211-00	BOX, CONTROL	1		
2	7C1-H7249-30	PLATE	1		
3	7C2-H7222-C0	RECEPTACLE 2 (20A-250V)	1		
4	98502-04012	SCREW, PAN HEAD	2		
5	90179-04800	NUT	2		
6	7C2-H2181-D0	CIRCUIT BREAKER COMP.	1		AC 125/250V
7	7C3-H7239-00	RECEPTACLE COMP. (DC 12A-24V)	1		
8	7C1-H2181-C0	CIRCUIT BREAKER COMP.(W55-4A)	1		WOKEMA ELECTRIC
9	7C3-H2550-10	ENGINE STOP SWITCH ASSY	1		
10	7C1-E1935-00	PLUG,BLIND	1		
11	7C3-H7105-00	RECTIFIER ASSY 1	1		
12	98502-05025	SCREW, PAN HEAD	1		
13	95602-05200	NUT, SELF-LOCKING	1		
14	7C3-H7107-00	CONDENSER ASSY	1		
15	97702-40016	SCREW, TAPPING	1		
16	7C1-H7223-30	WIRE, LEAD 1	1		
17	7C1-H7224-A0	WIRE, LEAD 2	1		
18	7C1-H7225-00	WIRE, LEAD 3	1		
19	7C1-H722Y-30	WIRE, LEAD 4	1		
20	7C1-H722X-C0	WIRE, LEAD 5	1		
21	7C1-H722W-00	WIRE, LEAD 6	1		
22	7C1-H252U-00	COVER	1		
23	97702-40512	SCREW, TAPPING	2		
24	98902-06016	SCREW, BIND	4		
25	7C1-H5644-00	PLATE	1		
26	90464-15803	CLAMP	1		
27	7C1-H6128-00	COVER	1		



7C13400-L150

FIG. 15 CONTROL BOX 2

REF. NO.	PART NO.	DESCRIPTION	CHN	SEA	REMARKS
1	7C1-H7211-00	BOX, CONTROL		1	
2	7C1-H7249-30	PLATE		1	
3	7C2-H7221-C0	RECEPTACLE 1(10-250V/15A-125V)		1	
4	98502-04012	SCREW, PAN HEAD		2	
5	90179-04800	NUT		2	
6	7C2-H2181-D0	CIRCUIT BREAKER COMP.		1	AC 125/250V
7	7C3-H7239-00	RECEPTACLE COMP. (DC 12A-24V)		1	
8	7C1-H2181-C0	CIRCUIT BREAKER COMP.(W55-4A)		1	WOKEMA ELECTRIC
9	7C3-H2550-10	ENGINE STOP SWITCH ASSY		1	
10	7C1-E1935-00	PLUG,BLIND		1	
11	7C3-H7105-00	RECTIFIER ASSY 1		1	
12	98502-05025	SCREW, PAN HEAD		1	
13	95602-05200	NUT, SELF-LOCKING		1	
14	7C3-H7107-00	CONDENSER ASSY		1	
15	97702-40016	SCREW, TAPPING		1	
16	7C1-H7223-30	WIRE, LEAD 1		1	
17	7C1-H7224-A0	WIRE, LEAD 2		1	
18	7C1-H7225-00	WIRE, LEAD 3		1	
19	7C1-H722Y-30	WIRE, LEAD 4		1	
20	7C1-H722X-C0	WIRE, LEAD 5		1	
21	7C1-H722W-00	WIRE, LEAD 6		1	
22	7C1-H252U-00	COVER		1	
23	97702-40512	SCREW, TAPPING		2	
24	98902-06016	SCREW, BIND		4	
25	7C1-H5644-00	PLATE		1	
26	90464-15803	CLAMP		1	
27	7C1-H6128-00	COVER		1	



7DY3400-J160

FIG. 16 LABELS

REF. NO.	PART NO.	DESCRIPTION	CHN	SEA			REMARKS
1	7C1-F1793-00	ORNAMENT	1	1			
2	7C1-F4162-N0	EMBLEM 2	1				
	7C1-F4162-10	EMBLEM 2		1			

NUMERICAL INDEX

PART NO.	REF. NO.	PART NO.	REF. NO.	PART NO.	REF. NO.	PART NO.	REF. NO.	PART NO.	REF. NO.	PART NO.	REF. NO.	PART NO.	REF. NO.
22F-14117-00	7 - 10	7CY-E1951-20	3 - 17	7DX-E5751-00	5 - 18	7C2-H7221-C0	15 - 3	93102-20802	9 - 3	98902-06016	15 - 24		
7LV-14118-00	7 - 5	7CY-E1970-00	3 - 1	7CN-E5755-00	5 - 19	7C2-H7222-C0	14 - 3		9 - 8	99530-08012	1 - 5		
620-14142-37-A0	7 - 7	7CN-E1971-00	9 - 13	7CY-E5793-00	5 - 16	7C1-H7223-30	14 - 16	93104-06062	9 - 4		9 - 5		
7LG-14150-11	7 - 19	7DX-E2111-10	4 - 3	7C1-F1793-00	16 - 1		15 - 16	93210-15803	9 - 10				
7EG-14159-00	7 - 20	7CY-E2117-00	4 - 7	7XC-F2891-21	5 - 4	7C1-H7224-A0	14 - 17	93306-204YY	9 - 2				
7RA-14162-00	7 - 18	7CY-E2119-00	4 - 13		13 - 9		15 - 17		9 - 7				
7RA-14181-00	7 - 13	7DX-E2121-10	4 - 4	7C1-F4110-00	10 - 1	7C1-H7225-00	14 - 18	93306-253X4	13 - 5				
7X9-14185-00	7 - 12	7DX-E2151-00	4 - 8	7C1-F4162-10	16 - 2		15 - 18	93440-06826	3 - 5				
22F-14186-00	7 - 8	7DX-E2153-00	4 - 5	7C1-F4162-N0	16 - 2	7C1-H722W-00	14 - 21	93450-13819	2 - 7				
7E1-14191-00	7 - 14	7DX-E2154-00	4 - 12	7C2-F4167-00	10 - 17		15 - 21	94702-00821	1 - 6				
127-14198-00	7 - 17	7DX-E2156-00	4 - 9	7C1-F4293-00	10 - 14	7C1-H722X-C0	14 - 20	95022-10016	9 - 14				
7NJ-14211-00	7 - 4	7CT-E2159-00	4 - 10	7C1-F4311-00	10 - 12		15 - 20	95302-12700	11 - 4				
73A-14212-00	7 - 3	7DX-E2180-01	4 - 1	7C1-F4500-00	10 - 5	7C1-H722Y-30	14 - 19	95602-05200	14 - 13				
	7 - 15	7DX-E2287-00	4 - 2	7C2-F4610-00	10 - 2		15 - 19		15 - 13				
3G2-1423A-62-A0	7 - 9	7CY-E2621-20	5 - 1	7C2-F4612-00	10 - 3	7C2-H7236-00	14 - 29	95702-06500	3 - 12				
7RH-14486-00	7 - 2	7CY-E2651-00	5 - 5	7CA-F8100-01	10 - 18	7C2-H7236-B0	15 - 29		6 - 11				
1WG-14922-00	7 - 6	7CY-E2658-00	5 - 7	7C1-H2181-C0	14 - 8	7C3-H7239-00	14 - 7		8 - 6				
7TA-1495E-3B	7 - 16	7CY-E3556-00	6 - 2		15 - 8		15 - 7	95802-06012	5 - 9				
7NJ-24515-01	10 - 10	7DX-E3595-00	6 - 1	7C2-H2181-D0	14 - 6	7C1-H7249-30	14 - 2		5 - 20				
7J3-24521-00	10 - 8	7CY-E4101-21	7 - 1		15 - 6		15 - 2	95802-06020	5 - 2				
7NJ-24532-00	10 - 11	7CY-E4411-20	6 - 3	7CY-H2310-21	12 - 1	90116-06033	1 - 2		6 - 12				
7NJ-24534-00	10 - 7	7CY-E4412-20	6 - 7	7CN-H2370-00	12 - 6	90116-06815	8 - 15	95802-06045	3 - 21				
4X8-24565-00	10 - 9	7CY-E4451-20	6 - 6	7CP-H2372-00	12 - 7	90116-06817	8 - 14	95802-06050	5 - 3				
7DX-E1111-01	1 - 1	7CY-E4467-20	6 - 4	7C1-H252U-00	14 - 22	90154-06823	6 - 8	95812-06012	8 - 7				
7CY-E1181-00	1 - 3	7CY-E4468-20	6 - 5		15 - 22	90170-05806	4 - 11		8 - 12				
7DX-E1190-00	1 - 7	7CY-E4477-00	6 - 10	7C3-H2550-10	14 - 9	90179-04800	14 - 5		10 - 4				
7DX-E1351-00	1 - 8	7CY-E4483-00	6 - 9		15 - 9		15 - 5	95822-06012	12 - 5				
7CY-E1400-20	2 - 1	7DX-E4613-00	8 - 13	7DX-H5521-00	11 - 2	90201-06842	3 - 4	95822-06016	1 - 9				
7DX-E1561-00	2 - 8	7C1-E4615-00	8 - 8	7DX-H5550-21	11 - 1		3 - 6	95822-06020	9 - 12				
7DX-E1610-00	2 - 5	7C1-E4711-00	8 - 1	7C1-H5644-00	14 - 25	90201-171J5	8 - 5		11 - 3				
7DX-E1610-10	2 - 5	7C1-E4718-00	8 - 9		15 - 25	90280-03045	11 - 6	95822-06050	1 - 4				
7DX-E1610-20	2 - 5	7C1-E4723-00	8 - 11	7CN-H5720-00	12 - 3	90387-068F2	3 - 16	95822-06130	13 - 10				
7DX-E1631-00-A0	2 - 4	7DY-E4772-00	5 - 8	7DX-H5724-00	12 - 4	90430-10801	9 - 15	95822-08160	13 - 6				
7DX-E1633-00	2 - 6	7CA-E4799-00	8 - 2	7C1-H6128-00	14 - 27	90445-11800	1 - 10	95880-06012	13 - 8				
7DX-E1635-00	2 - 4	7CA-E479E-00	8 - 4		15 - 27	90450-29801	8 - 3	95880-06020	12 - 2				
7DX-E1636-00	2 - 4	7CN-E4922-01	3 - 18	7C2-H7105-00	13 - 3	90464-07803	12 - 9	97702-30510	13 - 4				
7DX-E1650-00	2 - 2	7CY-E4997-00	7 - 11	7C3-H7105-00	14 - 11	90464-12806	12 - 8	97702-40016	14 - 15				
7DX-E1654-00	2 - 3	7CY-E5111-00	9 - 1		15 - 11	90464-15803	14 - 26		15 - 15				
7CY-E1913-00	3 - 2	7DX-E5363-00	9 - 9	7C3-H7107-00	14 - 14		15 - 26	97702-40512	14 - 23				
7CT-E1914-00	3 - 3	7CY-E5411-20	9 - 6		15 - 14	90467-09804	10 - 13		15 - 23				
7CN-E1917-00	3 - 7	7CY-E5451-00	9 - 11	7C1-H7131-00	13 - 7	90468-18800	3 - 10	98502-04012	14 - 4				
7CY-E1922-00	3 - 8	7CY-E5710-00	5 - 10	7C1-H7150-G0	13 - 1	90501-090A8	3 - 19		15 - 4				
7CY-E1924-00	3 - 11	7CN-E5713-00	5 - 13	7C1-H7160-00	13 - 2	90501-20800	4 - 6	98502-05025	14 - 12				
7CY-E1928-00	3 - 13	7DX-E5714-00	5 - 11	7CN-H7188-00	12 - 10	90506-08803	3 - 14		15 - 12				
7CY-E1934-00	3 - 20	7CN-E5715-00	5 - 14	7C3-H7209-00	14 - 28	90520-05801	5 - 6	98502-06030	10 - 15				
7C1-E1935-00	14 - 10	7DX-E5716-00	5 - 15		15 - 28	92902-06200	3 - 9	98507-03008	10 - 6				
	15 - 10	7DX-E5734-00	5 - 17	7C1-H7211-00	14 - 1		10 - 16	98902-06012	8 - 10				
7CY-E1941-20	3 - 15	7CN-E5741-01	5 - 12		15 - 1	92902-12600	11 - 5	98902-06016	14 - 24				