



PARTS CATALOGUE

EF14000E (7UXA) CHN

EF17000TE (7UYA) CHN



1K7UX-415E1

()

2016/8/18

NEWS NO.	DATE	COMMENT
PE0-GE-160005	Aug.,9,2016	MOD:FIG.7 OIL PUMP LIST REVISION

EF14000E/EF17000TE
PARTS CATALOGUE
©2011 by Yamaha Motor Co., Ltd.
1st edition, September 2011
All rights reserved.
Any reprinting or unauthorized use
without the written permission of
Yamaha Motor Co., Ltd.
is expressly prohibited.
Printed in Japan.

FOREWORD

This Parts Catalogue is related to the parts for the model(s) on the cover page. When you are ordering replacement parts, please refer to this Parts Catalogue and quote both part numbers and part names correctly.

1. Modifications or additions which have been made after the issue of the Parts Catalogue will be announced in the Parts News.

It is advisable that you make the necessary corrections to the Parts Catalogue according to the Parts News.

2. Abbreviations

The following abbreviations are used in this Parts Catalogue.

“UR” Use specified parts number.

“UN” Use as many as needed.

“AP” Alternate Parts

“LM” Locally Made (Parts need to be ordered locally)

“F#” Frame No. (Applicable machine No.)

“O/S” Over Size

3. The number of components for assembly

- Parts, which are to be supplied in an assembly, are listed with a dot (.) in front of the part name as shown below.
- The numeral appearing to the right of each component part indicates the quantity of parts for each assembly unit.

PART NO.	DESCRIPTION	Q'TY	REMARKS
2F5-83310-60	FRONT FLASHER LIGHT ASSY	2	
115-83311-60	.BULB (6V-18W)	1	

4. Applicable colours of graphics are represented in the “REMARKS” as shown below.

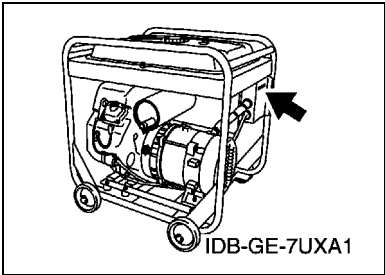
PART NO.	DESCRIPTION	Q'TY	REMARKS
2N4-24110-00-X5	FUEL TANK COMP.	2	MXR
3J1-24240-10	.GRAPHIC, FUEL TANK	1	FOR MXR

5. Note that the illustrations for reference in finding parts numbers are not to be used for assembling. When assembling, please use the applicable service manual.

6. The asterisk (*) before a reference number indicates modified items after the first edition.

FOREWORD

7. Applicable Serial No.
 Frame Serial No.



8. Applicable Colour Code (The (*) mark shows Model colour.)

Abbreviation	Colour Name	Colour Code

9. Applicable Starting Serial No.
 *****Serial NO.

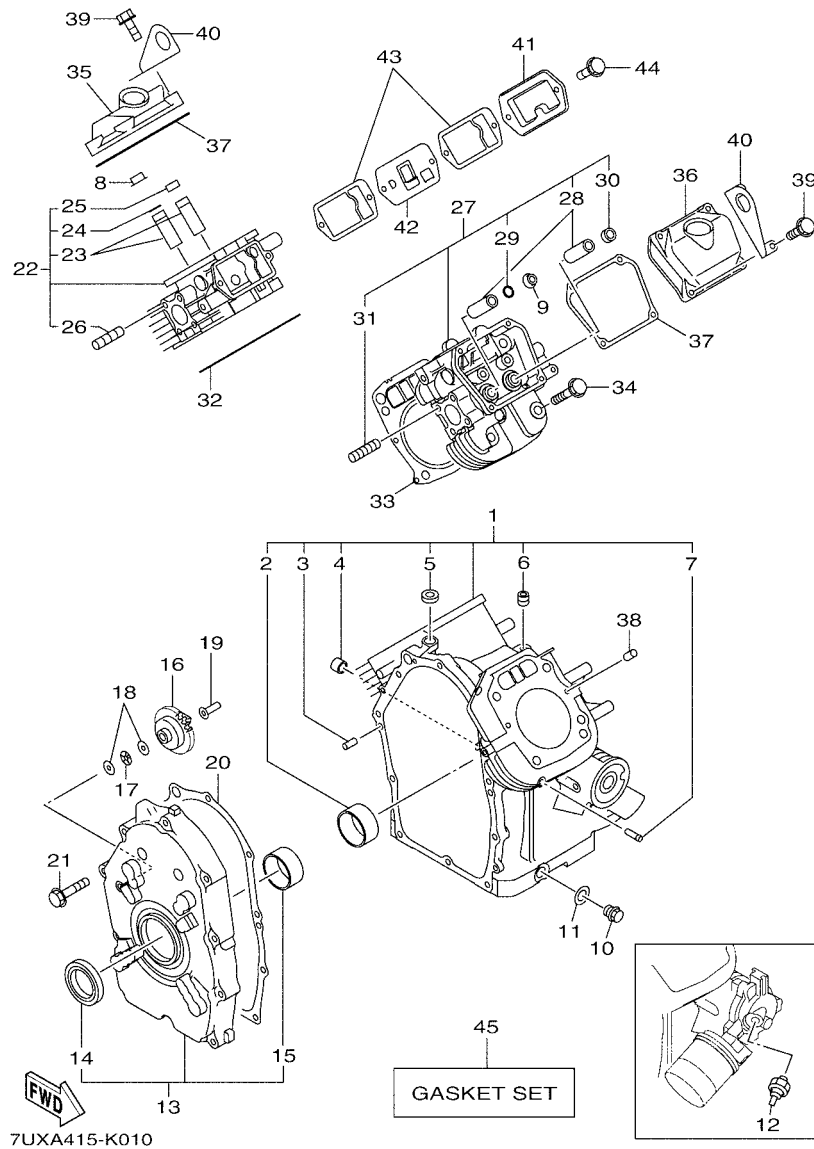
Model	Model Code	Destination	Voltage	Serial NO.
EF14000E	7UXA	CHN	220V-50Hz	7UX-0100101
EF17000TE	7UYA	CHN	380/220V-50Hz	7UY-0100101

CONTENTS

CRANKCASE	1
CRANKSHAFT & PISTON	3
CAMSHAFT & VALVE	4
INTAKE	6
GOVERNOR	7
COOLING	8
OIL PUMP	9
FUEL	11
CARBURETOR	12
OIL COOLER	14
TCI MAGNETO	15
STARTING MOTOR	16
TOOL	17
GENERATOR	18
FRAME	19
SWITCH & PANEL	20
SWITCH & PANEL 1	22
ELECTRICAL 1	24
ELECTRICAL 2	25
EMBLEM & LABEL	26
FRAME 2	27
FRAME 3	28

INDEX

NUMERICAL INDEX	29
-----------------------	----



7UXA415-K010

FIG. 1 CRANKCASE

REF. NO.	PART NO.	DESCRIPTION	7UXA	7UYA	REMARKS
1	YA2-80101-01-21	CRANK CASE CP	1	1	
2	YA2-63158-05-03	.MAIN BEARING	1	1	
3	YA0-31008-01-10	.DOWEL PIN	2	2	
4	YA2-63556-01-03	.PIPE	2	2	
5	YA0-44008-00-10	.OIL SEAL	1	1	
6	YA2-35154-21-03	.BLIND PLUG	1	1	
7	YA1-59654-01-03	.PIPE (PULSE)	1	1	
8	YA2-63353-41-03	RETAINER	1	1	
9	YA2-63353-41-03	RETAINER	1	1	
10	YA0-40114-00-30	PLUG	2	2	
11	YA0-21114-00-20	GASKET	2	2	
12	YA2-63761-02-H1	SWITCH OIL PRESSURE	1	1	
13	YA2-63111-02-71	MAINBEARING COVER CP	1	1	
14	YA0-44042-00-30	.OIL SEAL	1	1	
15	YA2-63158-05-03	.MAIN BEARING	1	1	
16	YA2-63450-03-11	GOVERNOR GEAR CP	1	1	
17	YA2-63462-15-A3	THRUST BEARING	1	1	
18	YA2-63462-14-A3	WASHER	2	2	
19	YA2-77419-02-01	GOVERNOR SLEEVE CP	1	1	
20	YA2-63160-02-A3	GASKET, MAIN BEARING COVER	1	1	
21	YA0-11008-02-20	FLANGE BOLT	10	10	
22	YA2-0K130-01-01	CYLINDER HEAD 1 CP	1	1	
23	YA2-63142-11-03	.VALVE GUIDE	2	2	
24	YA0-56510-00-50	.CLIP	1	1	
25	YA1-3211A-A1-10	.SEAL-EXH VALVE	1	1	
26	YA0-10508-02-90	.STUD	4	4	
27	YA2-0K131-01-01	CYLINDER HEAD 2 CP	1	1	

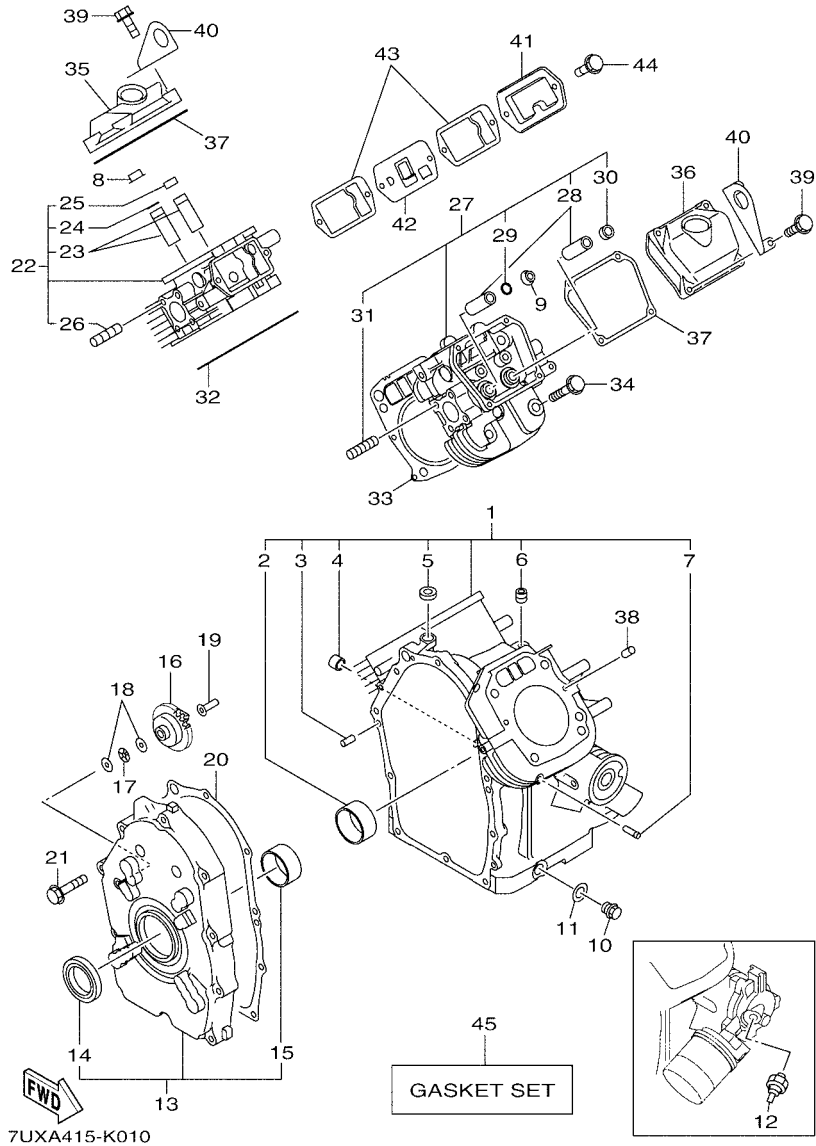


FIG. 1 CRANKCASE

REF. NO.	PART NO.	DESCRIPTION	7UXA	7UYA	REMARKS
28	YA2-63142-11-03	.VALVE GUIDE	2	2	
29	YA0-56510-00-50	.CLIP	1	1	
30	YA1-3211A-A1-10	.SEAL-EXH VALVE	1	1	
31	YA0-10508-02-90	.STUD	4	4	
32	YA2-80150-01-13	GASKET 1 (CYL HEAD)	1	1	
33	YA2-80151-01-13	GASKET 2 (CYL HEAD)	1	1	
34	YA0-11010-00-70	FLANGE BOLT	8	8	
35	YA2-80155-01-A3	ROCKER COVER, (NO.1)	1	1	
36	YA2-63155-01-A3	ROCKER COVER, (NO.2)	1	1	
37	YA2-63161-01-A3	GASKET, ROCKER COVER	2	2	
38	YA0-31006-00-20	DOWEL PIN	4	4	
39	YA0-11006-01-01	FLANGE BOLT	8	8	
40	YA2-80190-01-A3	HOOK	2	2	
41	YA2-63143-01-03	BREATHER COVER	1	1	
42	YA2-80144-01-A1	BREATHER PLATE,	1	1	
43	YA2-63160-06-03	GASKET, BREATHER PLATE	2	2	
44	YA0-11006-00-30	FLANGE BOLT (M6X14MM)	2	2	
45	YA2-80990-01-27	GASKET SET	1	1	

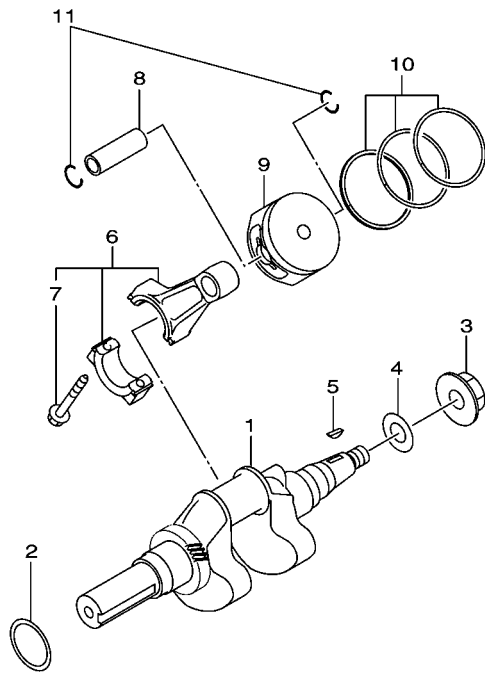
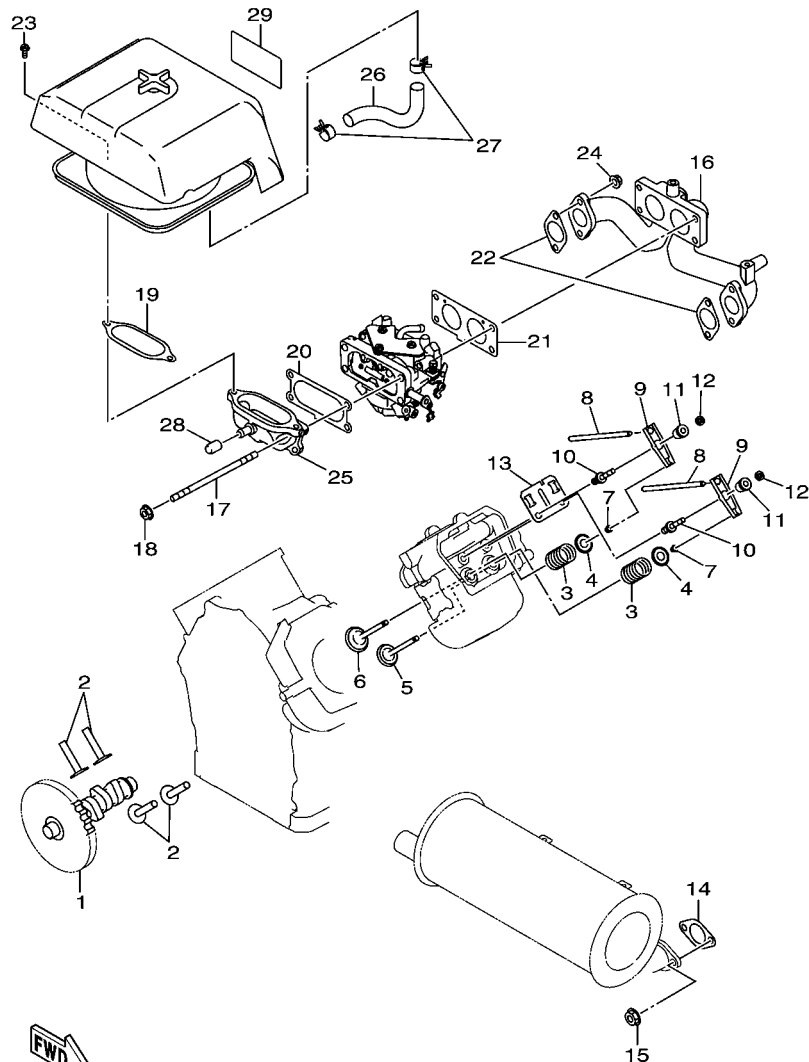


FIG. 2 CRANKSHAFT & PISTON

REF. NO.	PART NO.	DESCRIPTION	7UXA	7UYA	REMARKS
1	YA2-80212-01-11	CRANK SHAFT CP	1	1	
2	YA2-63250-12-A3	SPACER	1	1	UR
	YA2-63250-13-A3	SPACER	1	1	UR
	YA2-63250-14-A3	SPACER	1	1	UR
3	YA0-18018-00-10	NUT	1	1	
4	YA0-03101-80	WASHER	1	1	
5	YA0-05320-54-01	WOODRUFF KEY	1	1	
6	YA2-63226-01-20	CONNECTING ROD AY	2	2	
	YA2-63226-02-10	CONNECTING ROD AY (0.25MM US)	2	2	AP
7	YA0-01050-84	.FLANGE BOLT	4	4	
8	YA2-63233-01-33	PISTON PIN	2	2	
9	YA2-80234-11-H3	PISTON (STD)	2	2	
	YA2-80234-12-H3	PISTON (0.25 O.S.)	2	2	AP
	YA2-80234-13-H3	PISTON (0.50 O.S.)	2	2	AP
10	YA2-80235-01-07	PISTON RING SET (STD)	2	2	
	YA2-80235-02-07	PISTON RING SET (0.25 O.S.)	2	2	AP
	YA2-80235-03-17	PISTON RING SET (0.50 O.S.)	2	2	AP
11	YA0-56521-00-20	CLIP	4	4	

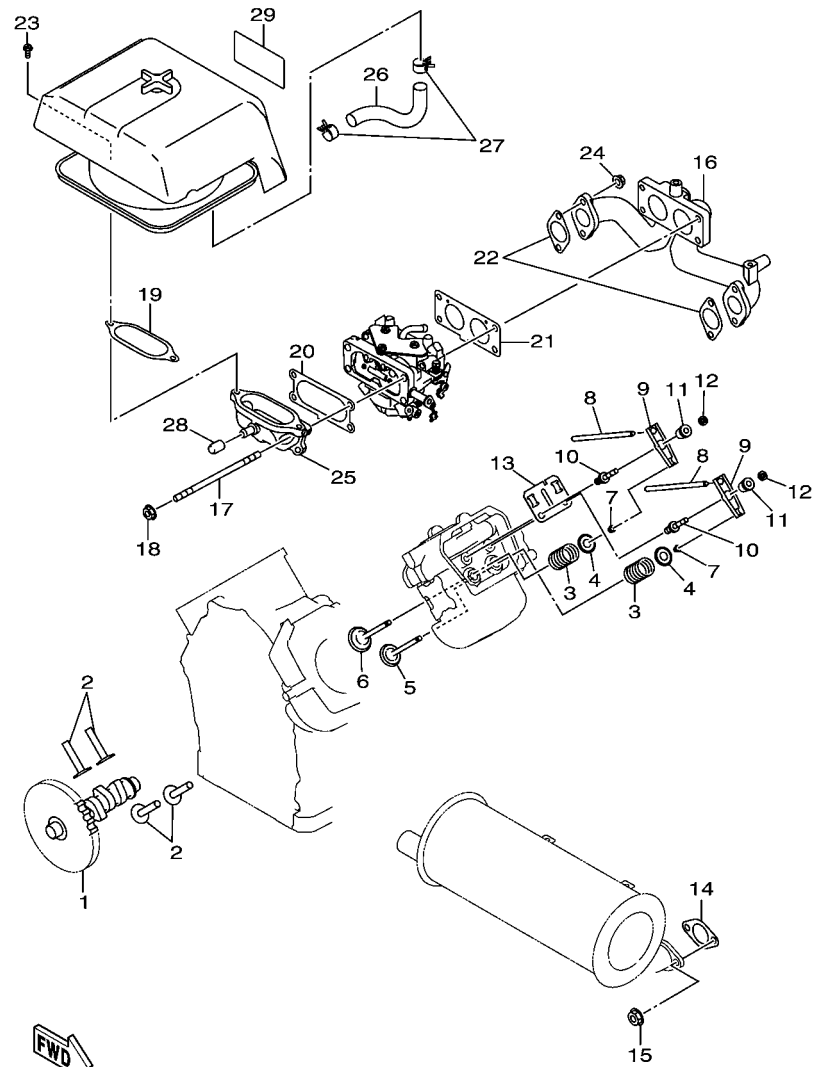


7UXA415-K030

FIG. 3 CAMSHAFT & VALVE

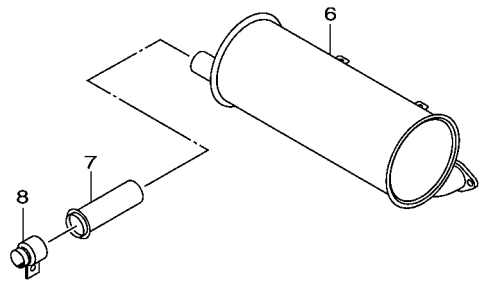
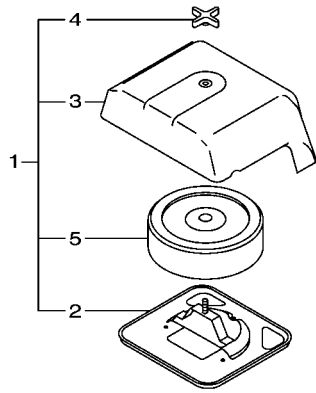
REF. NO.	PART NO.	DESCRIPTION	7UXA	7UYA	REMARKS
1	YA2-80318-01-03	CAM SHAFT	1	1	
2	YA2-63333-01-A3	TAPPET	4	4	
3	YA2-46336-11-03	VALVE SPRING	4	4	
4	YA2-46337-11-13	SPRING RETAINER	4	4	
5	YA2-63334-01-03	INTAKE VALVE	2	2	
6	YA2-63335-02-13	EXHAUST VALVE	2	2	
7	YA2-46355-01-03	COLLET-VALVE	8	8	
8	YA2-63353-22-A1	PUSH ROD CP	4	4	
9	YA2-67361-02-03	ROCKER ARM	4	4	
10	YA2-63358-01-03	BOLT(PIVOT)	4	4	
11	YA2-67357-01-03	PIVOT	4	4	
12	YA0-17006-01-10	NUT	4	4	
13	YA2-63370-02-A3	GUIDE PLATE	2	2	
14	YA2-70352-01-01	GASKET EXHAUST	2	2	
15	YA0-02380-80	FLANGE NUT	4	4	
16	YA2-80330-05-H1	INTAKE MANIFOLD CP	1	1	
17	YA0-10506-01-91	STUD	4	4	
18	YA0-02380-60	FLANGE NUT(M6)	4	4	
19	YA2-80356-22-03	GASKET(CLEANER)	1	1	
20	YA2-80355-01-03	GASKET(ADAPTER)	1	1	
21	YA2-80662-02-03	GASKET(CARBURETOR)	1	1	
22	YA2-63355-03-A3	GASKET(IN MANIFOLD)	2	2	
23	YA0-11006-00-20	FLANGE BOLT (M6X12MM)	3	3	
24	YA0-02380-80	FLANGE NUT	4	4	
25	YA2-80380-01-03	CLEANER ADAPTER	1	1	
26	YA2-80180-01-03	BREATHER PIPE	1	1	
27	YA0-56120-00-20	HOSE CLAMP	2	2	

FIG. 3 CAMSHAFT & VALVE



7UXA415-K030

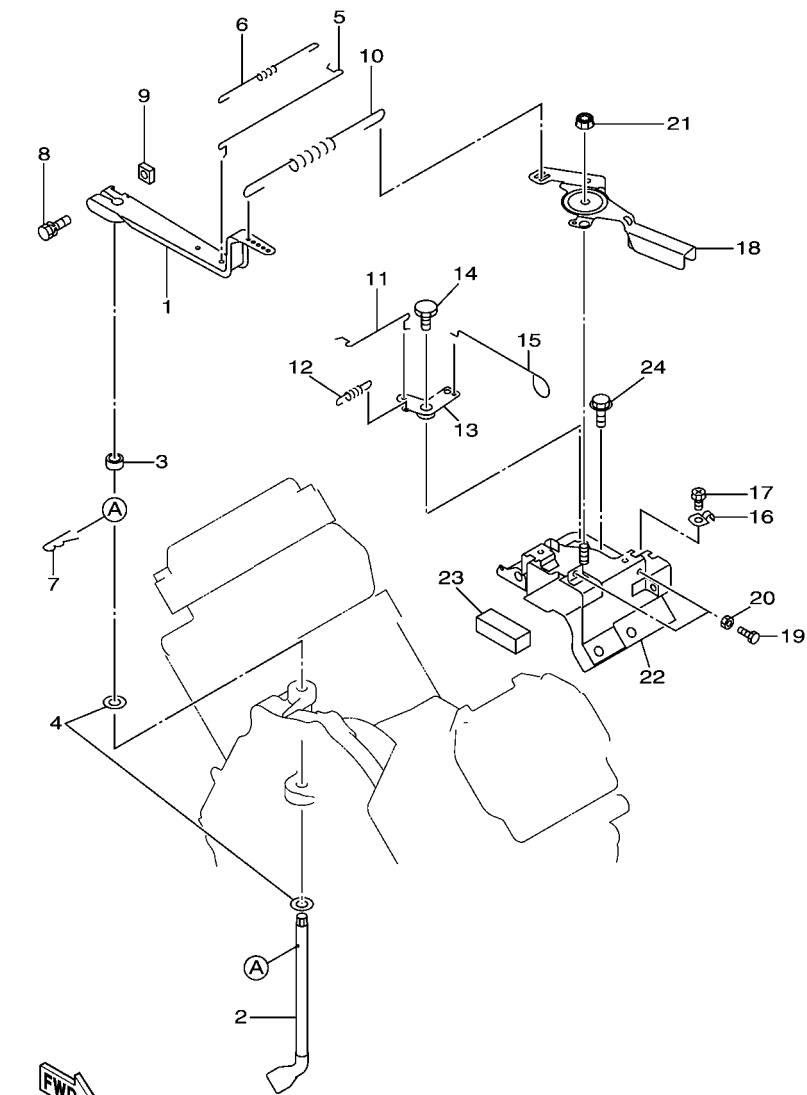
REF. NO.	PART NO.	DESCRIPTION	7UXA	7UYA	REMARKS
28	YAX-42306-00-30	CAP(VINYL)	1	1	
29	YA2-0K917-03-03	LABEL(YAMAHA 25.0)	1	1	




7UXA415-K040

FIG. 4 INTAKE

REF. NO.	PART NO.	DESCRIPTION	7UXA	7UYA				REMARKS
			1	1				
1	YA2-0K326-01-A0	AIR CLEANER AY	1	1				
2	YA2-80326-26-A1	.CLEANER BASE CP	1	1				
3	YA2-63326-30-03	.CLEANER COVER	1	1				
4	YA2-63326-40-01	.WING NUT	1	1				
5	YA2-63326-10-A1	.CLEANER ELEMENT CP	1	1				
6	YA2-63301-04-H1	MUFFLER CP	1	1				
7	YA2-63373-21-H2	SPARK ARRESTER	1	1				
8	YA2-63373-02-H3	CLAMP AY	1	1				

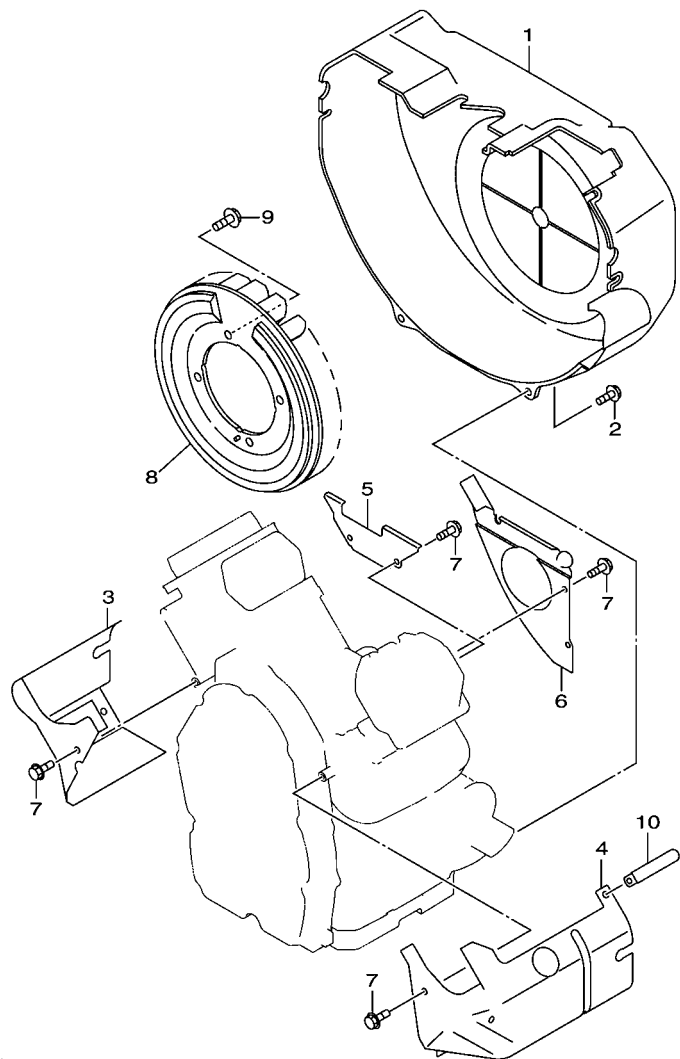


7UXA415-K050

FIG. 5 GOVERNOR

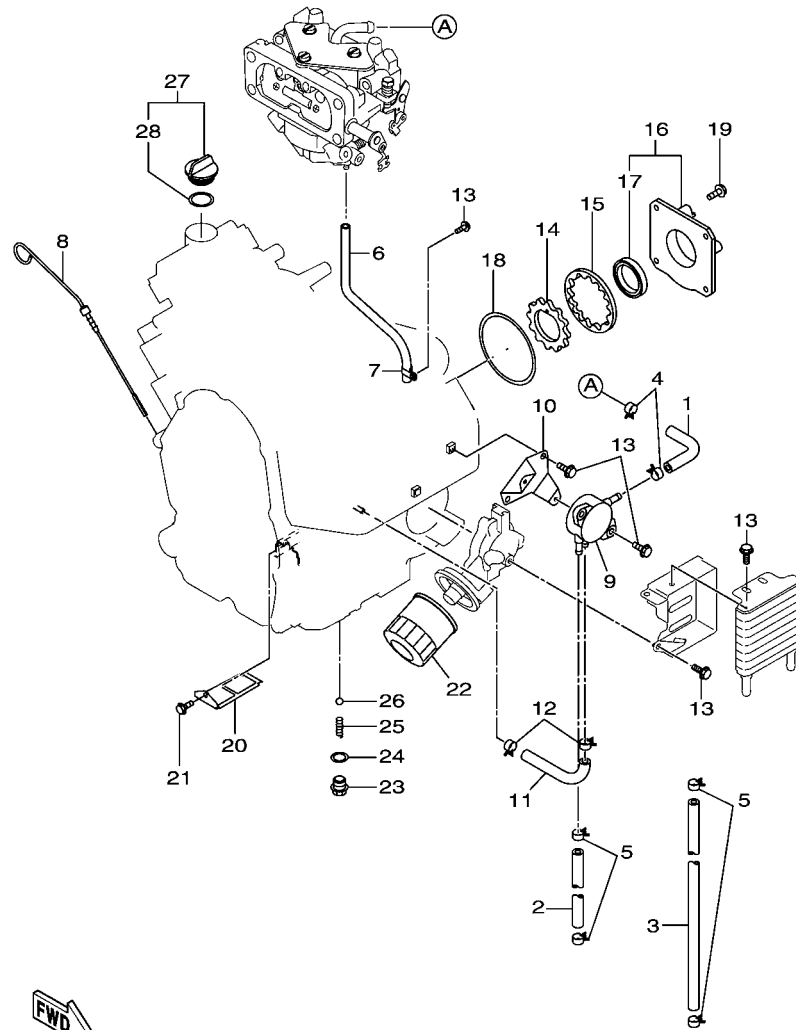
REF. NO.	PART NO.	DESCRIPTION	7UXA	7UYA	REMARKS
1	YA2-63423-01-B3	GOVERNOR LEVER	1	1	
2	YA2-63422-01-A3	GOVERNOR SHAFT	1	1	
3	YAX-23008-01-50	SPACER	1	1	
4	YA0-03100-80	WASHER	2	2	
5	YA2-0K427-01-A3	GOVERNOR ROD	1	1	
6	YA2-0K428-01-B3	GOVERNOR ROD SPRING	1	1	
7	YA0-05110-60-01	SNAP PIN	1	1	
8	YA0-01140-63	BOLT AND WASHER ASS'Y	1	1	
9	YA0-18606-00-20	NUT (M6)	1	1	
10	YA2-63425-06-13	GOVERNOR SPRING	1	1	
11	YA2-80460-11-A3	CHOKE CONTROL ROD	1	1	
12	YA2-61452-01-03	RETURN SPRING	1	1	
13	YA2-80460-01-03	CHOKE CONTROL LINK	1	1	
14	YA2-26431-01-01	LINK PIVOT CP	1	1	
15	YA2-63439-01-A3	CHOKE KNOB	1	1	
16	YA2-63460-10-03	CLAMP, CHOKE KNOB	1	1	
17	YA0-15205-00-10	TAPPING SCREW	1	1	
18	YA2-63433-11-A3	SPEED CONTROL LEVER	1	1	
19	YA0-11505-00-20	BOLT (M5X35MM)	2	2	
20	YA0-02270-50	NUT	2	2	
21	YA0-02380-60	FLANGE NUT(M6)	1	1	
22	YA2-63450-21-A2	BRACKET(SPD CONTROL)	1	1	
23	YAX-84143-20	RUBBER FOAM	1	1	
24	YA0-11006-00-20	FLANGE BOLT (M6X12MM)	2	2	

FIG. 6 COOLING




7UXA415-K060

REF. NO.	PART NO.	DESCRIPTION	7UXA	7UYA	REMARKS
1	YA2-80512-02-A2	BLOWER HOUSING UN	1	1	
2	YA0-11006-00-30	FLANGE BOLT (M6X14MM)	8	8	
3	YA2-63526-12-A1	CYLINDER BAFFLE 1 COMPL.	1	1	
4	YA2-80527-01-C1	CYLINDER BAFFLE 2 CP	1	1	
5	YA2-80528-01-A2	CYLINDER BAFFLE 3 UN	1	1	
6	YA2-63529-12-A2	CYLINDER BAFFLE 4 UNIT	1	1	
7	YA0-11006-00-20	FLANGE BOLT (M6X12MM)	8	8	
8	YA2-63541-01-A2	COOLING BLOWER UN	1	1	
9	YA0-01140-61-60	BOLT AND WASHER ASS'Y	4	4	
10	YA0-56600-02-50	CLAMP	1	1	

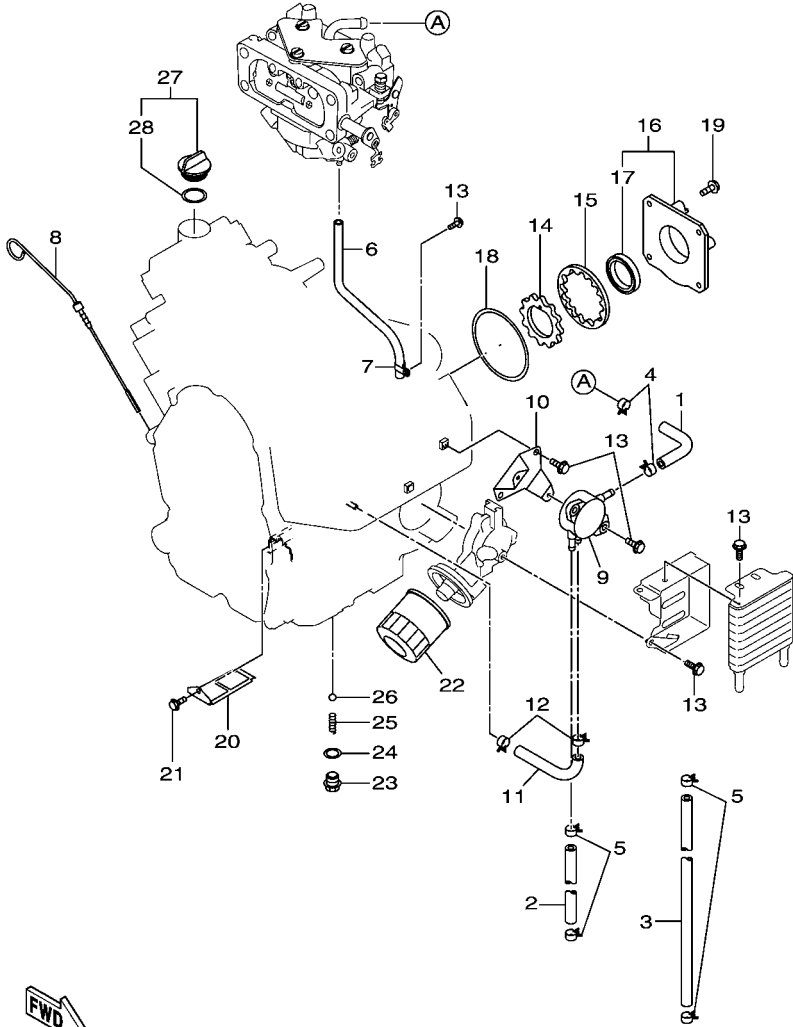


7UXA415-K070

FIG. 7 OIL PUMP

REF. NO.	PART NO.	DESCRIPTION	7UXA	7UYA	REMARKS
1	YAX-85106-15-42	RUBBER PIPE	1	1	
2	YA0-85106-21-60	RUBBER PIPE	1	1	
3	YA0-85106-21-70	RUBBER PIPE	1	1	
4	YA2-63685-01-03	HOSE CLAMP	2	2	
5	YA0-56110-00-30	HOSE CLAMP	4	4	
6	YA0-85103-01-10	RUBBER PIPE	1	1	
7	YA2-06755-01-01	CLAMP, COMPL.	1	1	
8	YA2-63636-03-01	OIL GAUGE, COMPL.	1	1	
9	YA2-67622-01-10	FUEL PUMP ASS'Y	1	1	
10	YA2-63650-02-A3	BRACKET(FUEL PUMP)	1	1	
11	YAX-85106-16-30	RUBBER PIPE	1	1	
12	YA2-63685-01-03	HOSE CLAMP	2	2	
13	YA0-11006-00-20	FLANGE BOLT (M6X12MM)	9	9	
14	YA2-63639-01-13	INNER ROTOR	1	1	Go to P/N : PE0-GE-160005
15	YA2-63639-02-13	OUTER ROTOR	1	1	Go to P/N : PE0-GE-160005
16	YA2-63640-02-01	OIL PUMP COVER CP	1	1	
17	YA0-44035-01-70	.OIL SEAL	1	1	
18	YAX-24089-00-30	O RING	1	1	
19	YA0-11006-00-30	FLANGE BOLT (M6X14MM)	4	4	
20	YA2-63643-02-02	OIL PUMP FILTER UN	1	1	
21	YA2-63650-11-A3	FLANGE BOLT	1	1	
22	YA2-48658-01	OIL FILTER AY	1	1	
23	YA2-63650-01-13	PLUG, OIL RELIEF	1	1	
24	YA0-03701-40	GASKET, ALUMINUM	1	1	
25	YA2-63660-01-03	SPRING(RELIEF VALVE)	1	1	
26	YA0-06903-08	STEEL BALL	1	1	
27	YA2-80636-02-A1	OIL FILTER CAP	1	1	

FIG. 7 OIL PUMP




7UXA415-K070

REF. NO.	PART NO.	DESCRIPTION	7UXA	7UYA	REMARKS
28	YA2-63644-14-A3	.GASKET	1	1	

PARTS NEWS

News No. PE0-GE-160005

Date: Aug., 9., 2016



Signature: K. Tanaka

Cause: Revision Notice Correction Sales Unit Change Others

Model	EF14000E (7UXA) / EF17000TE (7UYA)	
Subject	PARTS CATALOGUE CORRECTIONS	
CATALOGUE NO.	1K7UX-415E1	
Time of YPEC Revision	Text, Illustration --> Aug./31/2016	PDF Replace --> Aug./31/2016
(YPEC = Yamaha Parts Electrical Catalogue = Website parts catalogue)		

LIST CORRECTION

FIG.7 OIL PUMP


Ref. No.	PART NO.		DESCRIPTION	Q'TY	*Interchangeability	
						REMARKS
14	OLD	YA2-63639-01-13	INNER ROTOR	1		*Part number revision
	NEW	YA2-63639-04-H3				
15	OLD	YA2-63639-02-13	OUTER ROTOR	1		
	NEW	YA2-63639-05-H3				

* Applicable Engine Serial No.

EF14000E 7UX-0100681 and following
EF17000TE 7UY-0100686 and following

* Old parts are no longer available.
 Please arrange new parts in a set.

*1: Interchangeability

A	Old Parts	→	Old Parts
	New Parts	→	New Parts
B	Old Parts	→	Old Parts
	New Parts	→	New Parts
C	Old Parts	→	Old Parts
	New Parts	→	New Parts
	These parts are interchangeable with a set		

Parts
Manager
Check

Service
Manager
Check

Parts
Manager
File

YAMAHA MOTOR CO.,LTD
 2500 Shingai Iwata Shizuoka 438-8501.Japan
 Parts & Acc. Engineering Div., YMC.

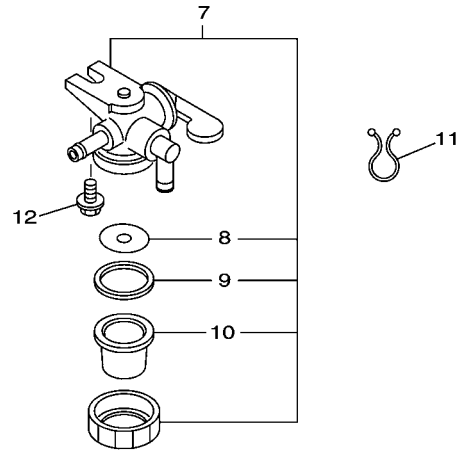
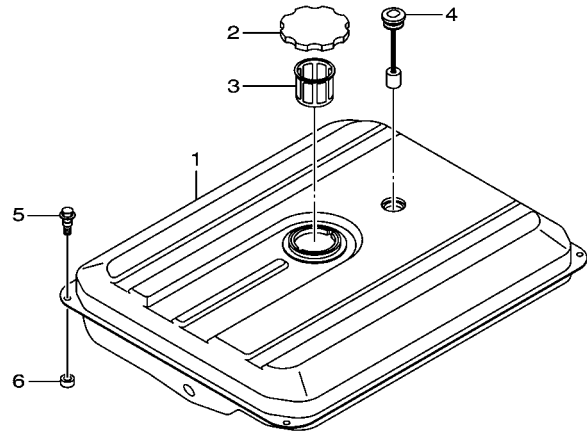
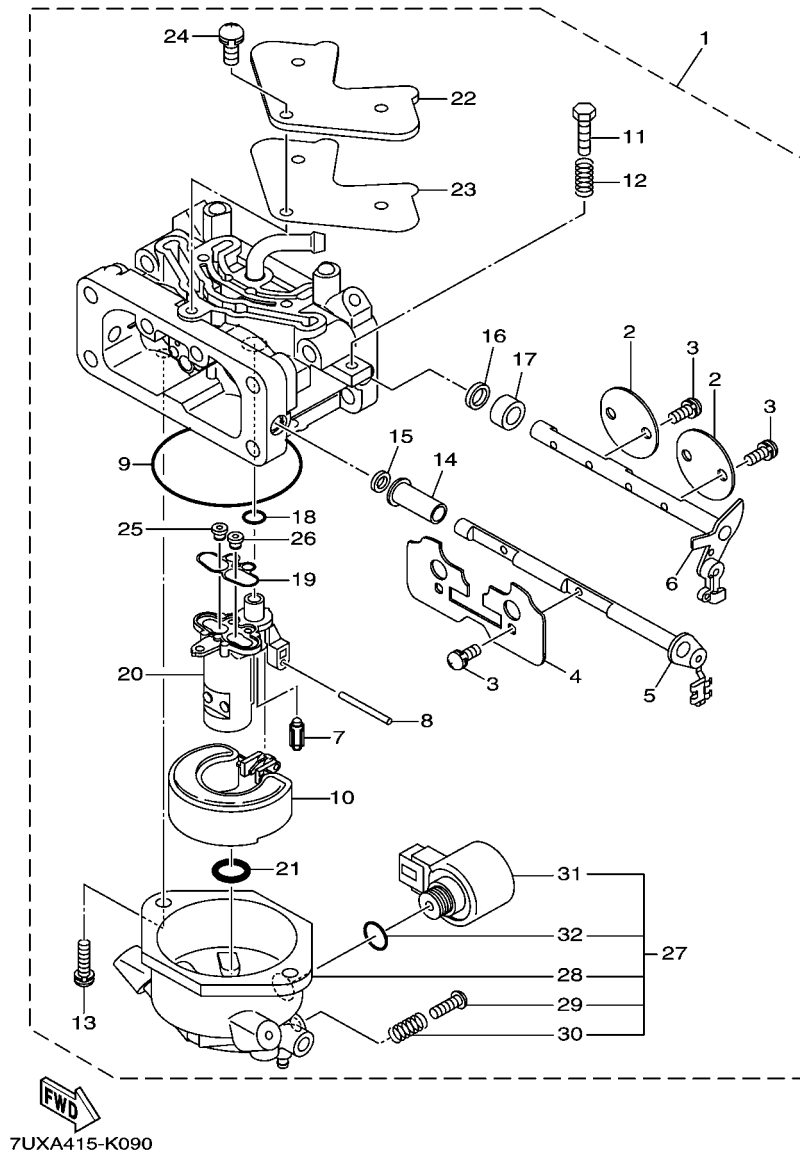


FIG. 8 FUEL

REF. NO.	PART NO.	DESCRIPTION	7UXA	7UYA					REMARKS
			1	1					
1	YA3-1G361-02-01	FUEL TANK, COMPL.	1	1					
2	YA0-43059-00-11	FUEL TANK CAP ASS'Y	1	1					
3	YA0-64154-00-11	FUEL FILTER	1	1					
4	YA0-64800-15	FUEL GAUGE, COMPL.	1	1					
5	YA0-11006-02-20	FLANGE BOLT (M6X21MM)	6	6					
6	YA3-91390-00-13	RUBBER WASHER	6	6					
7	YA0-64201-07	FUEL STRAINER ASS'Y	1	1					
8	YA0-64200-02-20	.FILTER	1	1					
9	YA0-64200-02-30	.GASKET	1	1					
10	YA0-64201-07-10	.CUP	1	1					
11	YA3-6F600-01-08	CRIP	1	1					
12	YA3-6A803-00-08	BOLT & WASHER AY	1	1					



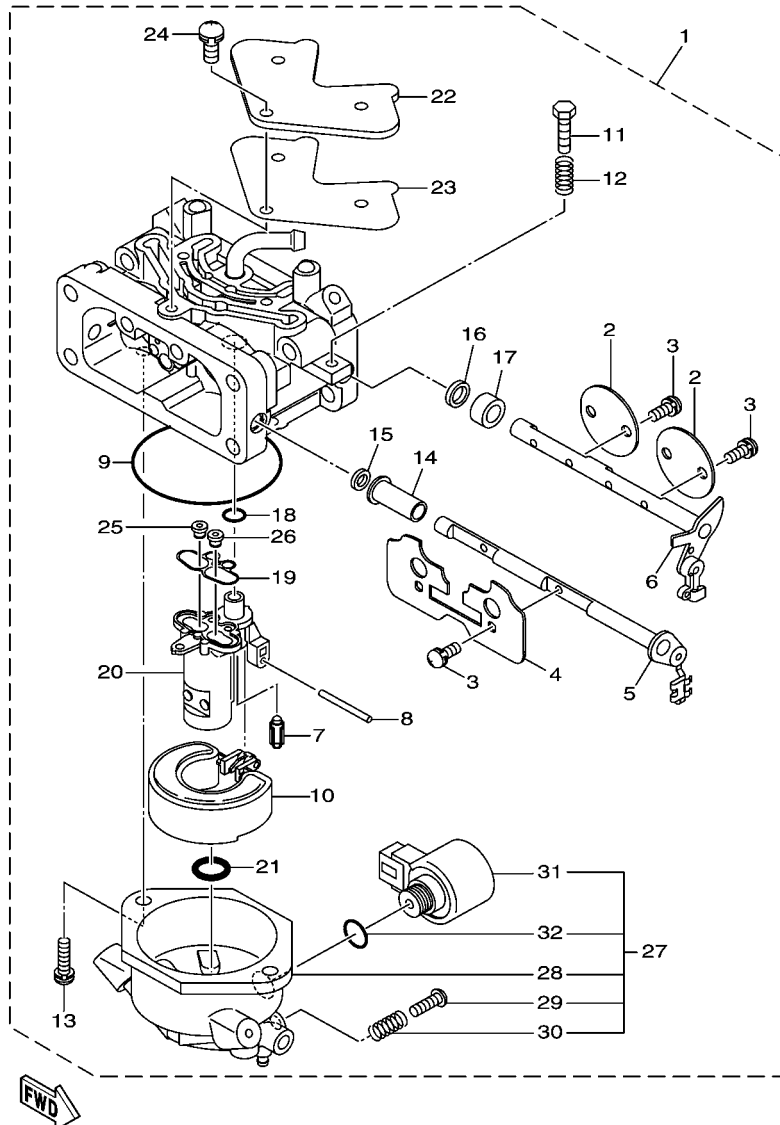
7UXA415-K080



7UXA415-K090

FIG. 9 CARBURETOR

REF. NO.	PART NO.	DESCRIPTION	7UXA	7UYA	REMARKS
1	YA2-0K623-01-20	CARBURETOR AY	1	1	
2	YA2-0K625-36-08	.VALVE, THROTTLE	2	2	
3	YA2-58625-55-08	.SCREW, VALVE SET	6	6	
4	YA2-0K625-25-08	.VALVE, CHOKE	1	1	
5	YA2-0K625-20-08	.SHAFT ASSY, CHOKE	1	1	
6	YA2-0K625-30-08	.SHAFT COMPL, THROTTLE	1	1	
7	YA2-0K625-00-08	.VALVE, FLOAT	1	1	
8	YA2-0K625-15-08	.PIN, FLOAT	1	1	
9	YA2-0K625-40-08	.GASKET, FLOAT CHAMBER	1	1	
10	YA2-63625-05-08	.FLOAT	1	1	
11	YA2-0K625-53-08	.SCREW, THROTTLE ADJUS	1	1	
12	YA2-58624-45-08	.SPRING, ADJUST SCREW	1	1	
13	YA2-0B624-53-08	.SCREW	2	2	
14	YA2-0K625-60-08	.COLLAR, CHOKE	1	1	
15	YA2-63625-74-08	.SEAL, TH.SHAFT	1	1	
16	YA2-0K625-50-08	.SEAL, THROTTLE	1	1	
17	YA2-0K625-61-08	.COLLAR, THROTTLE	1	1	
18	YA2-0B625-41-08	.O RING	1	1	
19	YA2-0K625-41-08	.GASKET, SPACER	1	1	
20	YA2-0K625-54-08	.SPACER, CARB	1	1	
21	YA2-0K625-42-08	.O-RING	1	1	
22	YA2-0K625-59-08	.COVER, SLOW PASSAGE	1	1	
23	YA2-0K625-58-08	.GASKET, SLOW PASSAGE	1	1	
24	YA1-07624-62-08	.SCREW	3	3	
25	YA2-0K624-00-08	.JET COML, MAIN(L)	1	1	
26	YA2-0K624-01-08	.JET COML, MAIN(R)	1	1	
27	YA2-0K625-55-08	.CHAMBER COMPL, FLOAT	1	1	



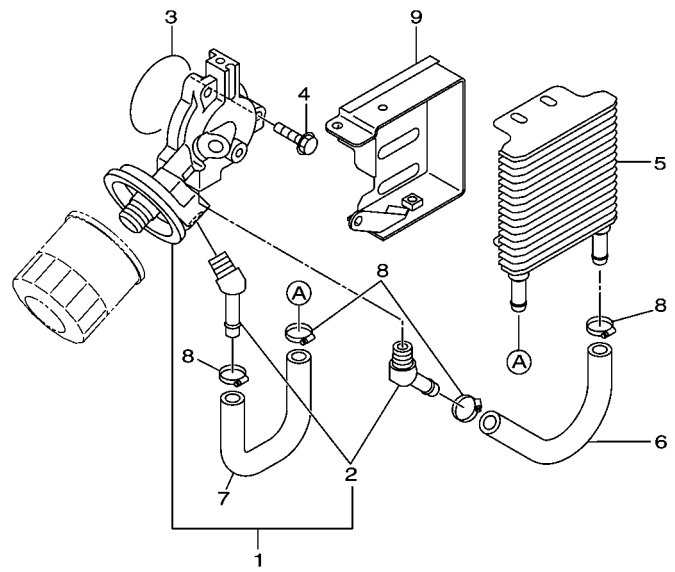
7UXA415-K090

FIG. 9 CARBURETOR

REF. NO.	PART NO.	DESCRIPTION	7UXA	7UYA	REMARKS
			1	1	
28	YA2-0K625-56-08	..CHAMBER ASSY, FLOAT	1	1	
29	YA2-15623-53-08	..SCREW, DRAIN	1	1	
30	YA2-15624-46-08	..SPRING, DRAIN	1	1	
31	YA2-0K625-57-08	..VALVE COMPL, SOLENOID	1	1	
32	YA2-0B625-56-08	..GASKET	1	1	

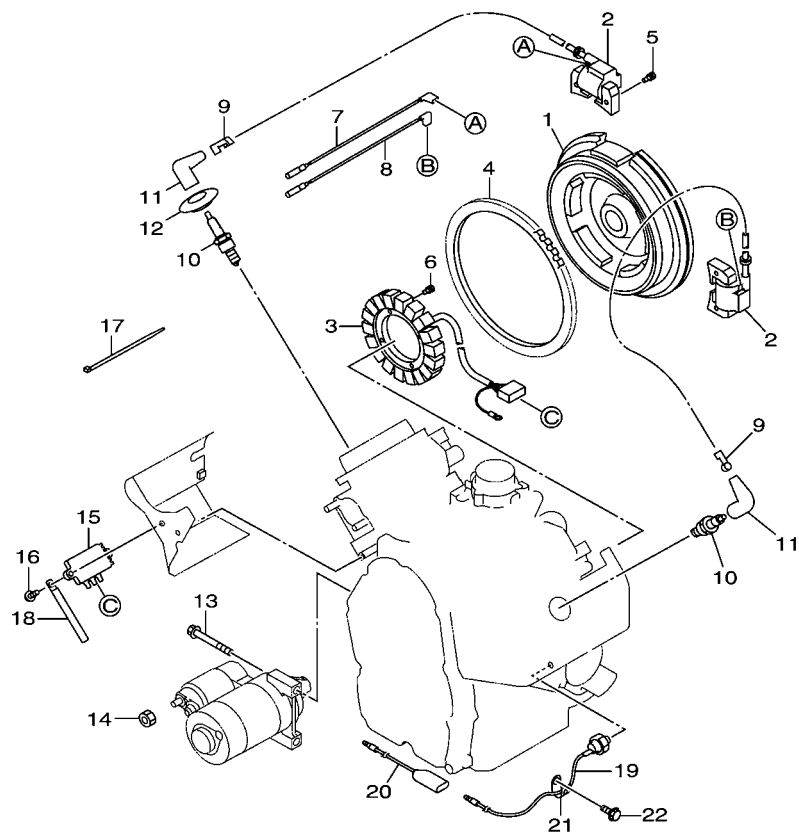
FIG. 10 OIL COOLER

REF. NO.	PART NO.	DESCRIPTION	7UXA	7UYA	REMARKS
1	YA2-80650-11-01	ADAPTER(OIL COOL) CP	1	1	
2	YA2-80650-25-A3	.ELBOW ADAPTER 1	2	2	
3	YA2-80650-50-A3	O RING RMI	1	1	
4	YA0-11006-01-01	FLANGE BOLT	3	3	
5	YA2-80650-01-C1	OIL COOLER CP	1	1	
6	YA2-80650-37-03	HOSE 1(OIL COOLER)	1	1	
7	YA2-80650-38-03	HOSE 2(OIL COOLER)	1	1	
8	YAX-56109-00-30	HOSE CLAMP	4	4	
9	YA2-80650-30-01	BRACKET CP(OIL COOL)	1	1	



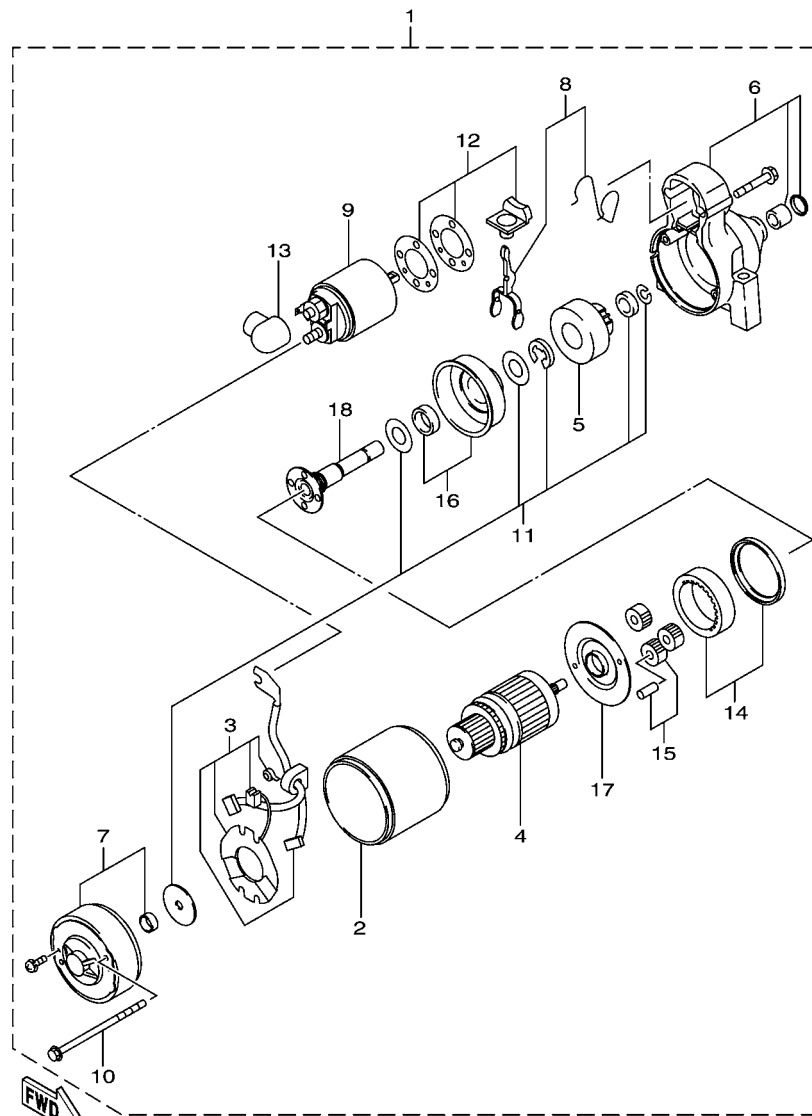

7UXA415-K100

FIG. 11 TCI MAGNETO




7UXA415-K110

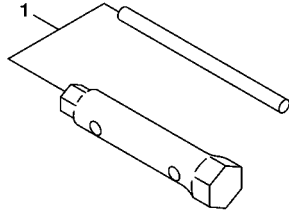
REF. NO.	PART NO.	DESCRIPTION	7UXA	7UYA	REMARKS
1	YA2-63772-02-11	FLYWHEEL CP	1	1	
2	YA2-63782-02-11	IGNITION COIL, COMPL.	2	2	
3	YA2-63794-05-A1	CHARGE COIL COMP.	1	1	
4	YA2-63710-02-H3	RING GEAR	1	1	
5	YA0-01140-62-50	BOLT AND WASHER ASS'Y	4	4	
6	YA0-01160-52	BOLT AND WASHER AY	4	4	
7	YA2-63730-16-01	WIRE 4, COMPL.	1	1	
8	YA2-63730-17-01	WIRE 5, COMPL.	1	1	
9	YAX-65910-00-10	PLUG TERMINAL	2	2	
10	YA0-65014-02-80	SPARK PLUG (BPR5ES)	2	2	
11	YAX-65510-00-10	SPARK PLUG CAP	2	2	
12	YA2-79552-01-03	GROMMET (PLUG CAP)	1	1	
13	YA0-11008-01	FLANGE BOLT (M8X65MM)	2	2	
14	YA0-02380-80	FLANGE NUT	1	1	
15	YA2-63719-03-A1	REGULATOR CP	1	1	
16	YA0-11006-01-40	FLANGE BOLT (M6 X18MM)	2	2	
17	YA0-56300-00-10	WIRE BAND	3	3	
18	YA0-56600-02-50	CLAMP	2	2	
19	YA2-63731-02-11	WIRE ASSY, OIL PRESSURE SWITCH	1	1	
20	YA2-80731-02-01	WIRE CP (FUEL CUT)	1	1	
21	YA2-06755-01-01	CLAMP, COMPL.	3	3	
22	YA0-11006-00-10	FLANGE BOLT	1	1	



7UXA415-K120

FIG. 12 STARTING MOTOR

REF. NO.	PART NO.	DESCRIPTION	7UXA	7UYA	REMARKS
1	YA2-63705-03	STARTING MOTOR ASSY	1	1	
2	YA2-63705-61-08	.YOKE ASSY	1	1	
3	YA2-45705-03-08	.BRUSH HOLDER ASSY	1	1	
4	YA2-63705-12-08	.ARMATURE ASSY	1	1	
5	YA2-63705-22-08	.PINION ASSY	1	1	
6	YA2-63705-03-08	.GEAR CASE ASSY	1	1	
7	YA2-63705-07-08	.REAR COVER ASSY	1	1	
8	YA2-45705-18-08	.SHIFT LEVER SET	1	1	
9	YA2-63705-15-08	.MAGNETIC SWITCH ASS'Y	1	1	
10	YA2-07705-24-08	.THROUGH BOLT	2	2	
11	YA2-45705-16-08	.WASHER STOPPER SET	1	1	
12	YA2-45705-20-08	.DUST COVER KIT	1	1	
13	YA2-07705-26-08	.RUBBER CAP	1	1	
14	YA2-63705-96-08	.INTERNAL GEAR	1	1	
15	YA2-63705-76-08	.PLANET GEAR	3	3	
16	YA2-45705-09-08	.CENTER BRACKET (P)	1	1	
17	YA2-63705-91-08	.CENTER BRACKET (A)	1	1	
18	YA2-63705-71-08	.PINION SHAFT	1	1	



7UXA415-K130

FIG. 13 TOOL

REF. NO.	PART NO.	DESCRIPTION	7UXA	7UYA			REMARKS
1	YA2-82903-01-H0	ACCESSORY TOOL KIT	1	1			

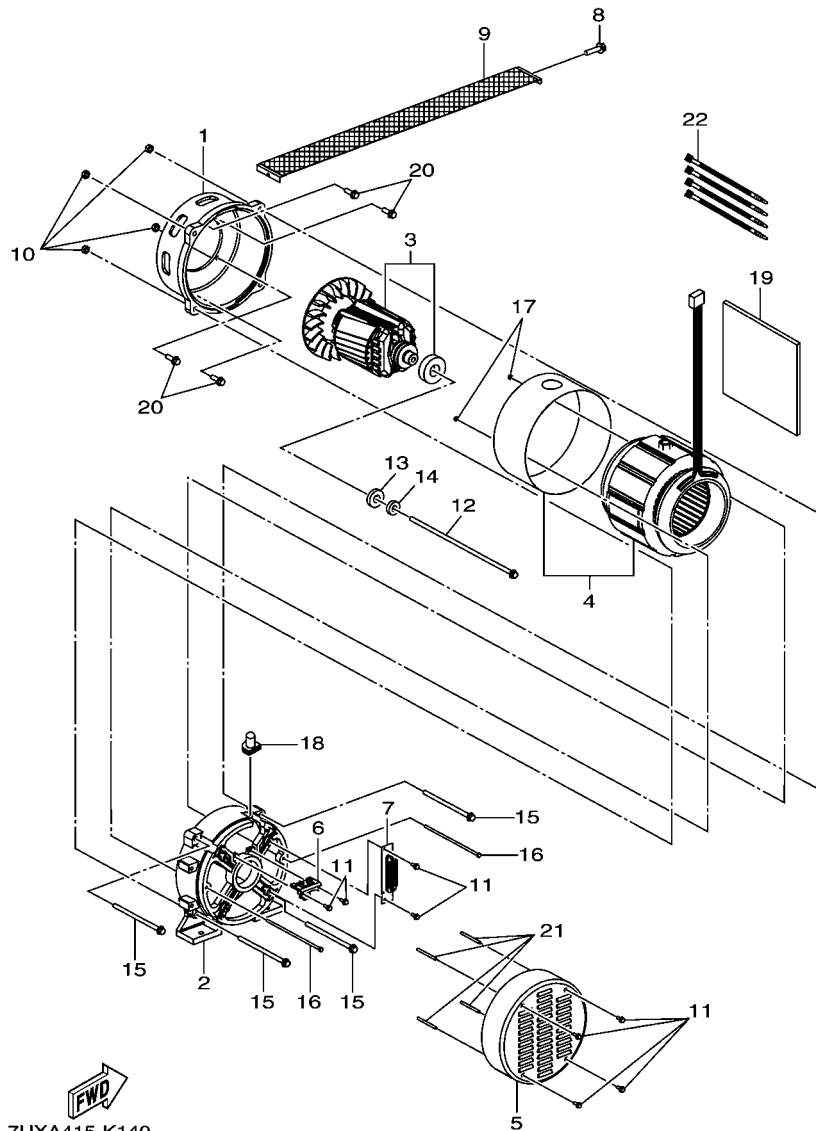
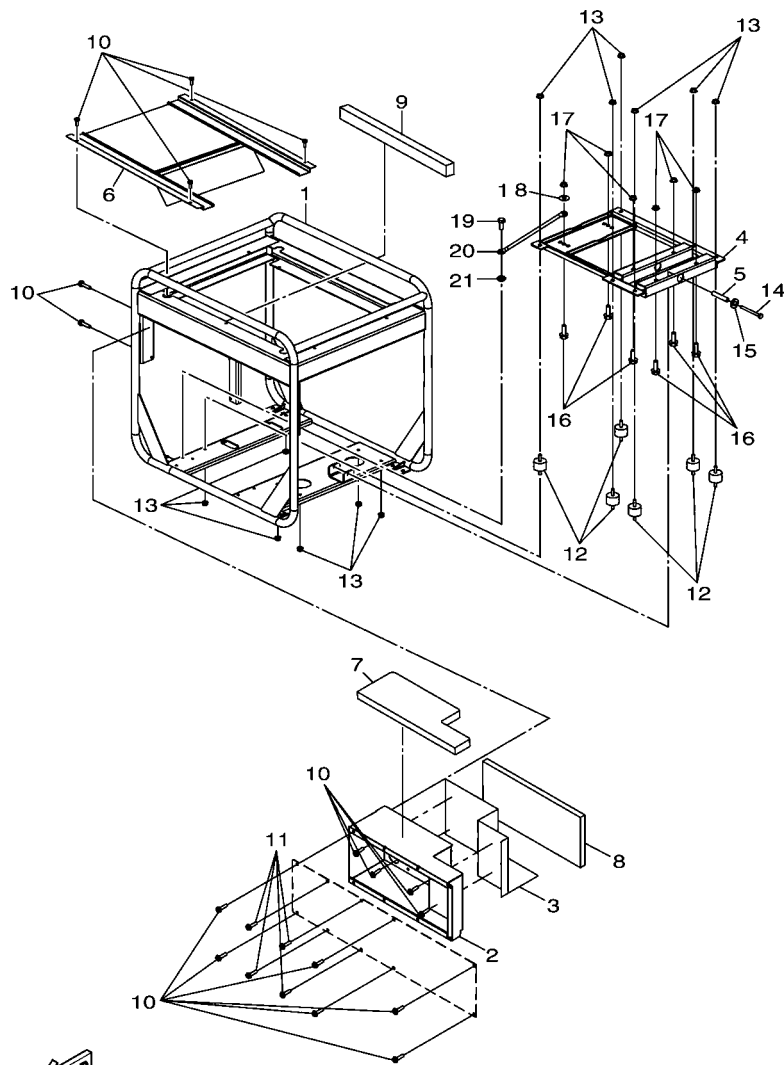


FIG. 14 GENERATOR

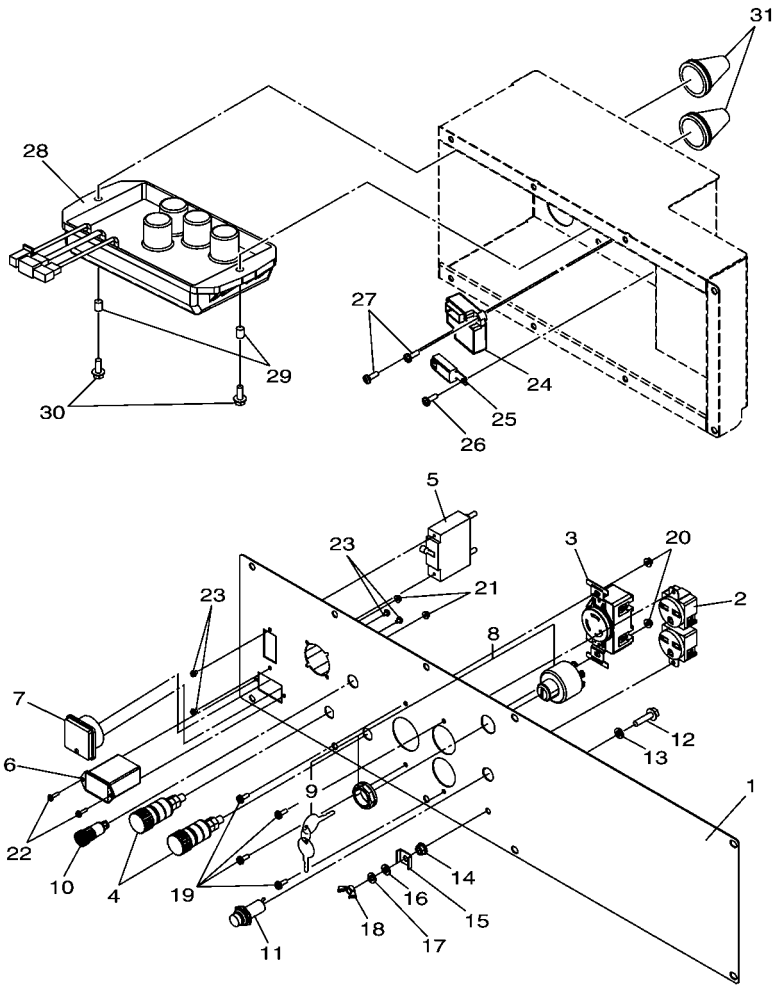
REF. NO.	PART NO.	DESCRIPTION	7UXA	7UYA	REMARKS
1	YA3-6F220-01-08	GEN BRACKET 1	1	1	
2	YA3-6F222-01-08	GEN BRACKET 2	1	1	
3	YA3-6F201-01-08	ROTOR CP	1		
	YA3-6F201-02-08	ROTOR CP		1	
4	YA3-6F200-01-08	STATOR CP	1		
	YA3-6F200-02-08	STATOR CP		1	
5	YA3-6F230-01-08	BRACKET COVER	1	1	
6	YA3-6F203-01-08	BRUSH CP	1	1	
7	YA3-6F250-01-08	TERMINAL BLOCK	1	1	
8	YA3-6A803-00-08	BOLT & WASHER AY	1	1	
9	YA3-6F250-02-08	COVER	1	1	
10	YA3-6A810-06-08	FLANGE NUT	4		
	YA3-6A810-07-08	FLANGE NUT		4	
11	YA3-6A800-11-08	FLANGE BOLT	8	8	
12	YA3-6F211-01-08	ROTOR BOLT	1	1	
13	YA3-6A822-03-08	WASHER	1	1	
14	YA3-6A823-01-08	SPRING WASHER	1	1	
15	YA3-6F210-01-08	STATOR BOLT	4	4	
16	YA3-6F250-03-08	BOLT	2	2	
17	YA3-6A812-01-08	NUT	2	2	
18	YA3-6F250-04-08	GROMMET	1	1	
19	YA3-6F250-05-08	SPONGE(WIRE)	1	1	
20	YA3-6A800-12-08	FLANGE BOLT	4	4	
21	YA3-6F250-07-08	SPACER	4	4	
22	YA3-6F250-06-08	BAND(NYRON)	4	4	



FWD
7UXA415-K150

FIG. 15 FRAME

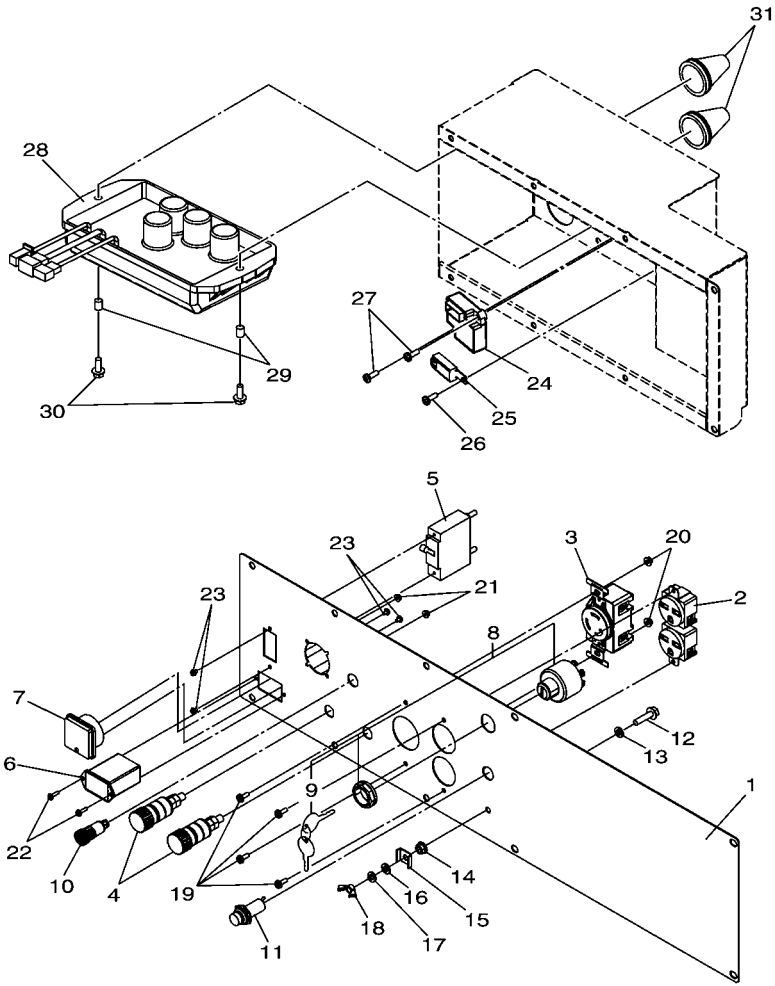
REF. NO.	PART NO.	DESCRIPTION	7UXA	7UYA	REMARKS
1	YA3-6F300-01-08	PIPE FRAME CP	1	1	
2	YA3-6F400-01-08	CONTROL BOX CP	1	1	
3	YA3-6F490-04-08	GUIDE PLATE CP	1	1	
4	YA3-6F330-01-08	MOUNT BASE CP	1	1	
5	YA3-6A830-02-08	SPACER	1	1	
6	YA3-6F341-01-08	GUIDE PLATE CP	1	1	
7	YA3-6F490-05-08	SPONGE1(BARRIER)	1	1	
8	YA3-6F490-06-08	SPONGE2(BARRIER)	1	1	
9	YA3-6F350-01-08	SPONGE(FRAME)	1	1	
10	YA3-6A803-00-08	BOLT & WASHER AY	16	16	
11	YA3-6A801-04-08	SCREW & WASHER AY	4	4	
12	YA3-6F310-01-08	MOUNT CP	6	6	
13	YA3-6A810-02-08	FLANGE NUT	12	12	
14	YA3-6A804-01-08	BOLT	1	1	
15	YA3-6A822-01-08	WASHER	1	1	
16	YA3-6A810-03-08	FLANGE NUT	6	6	
17	YA3-6A800-06-08	FLANGE BOLT	6	6	
18	YA3-6A822-02-08	WASHER	1	1	
19	YA3-6A800-04-08	FLANGE BOLT	1	1	
20	YA3-6A711-36-08	WIRE(GREEN/YELLOW)	1	1	
21	YA3-6A820-01-08	LOCK WASHER	1	1	




7UXA415-K160

FIG. 16 SWITCH & PANEL

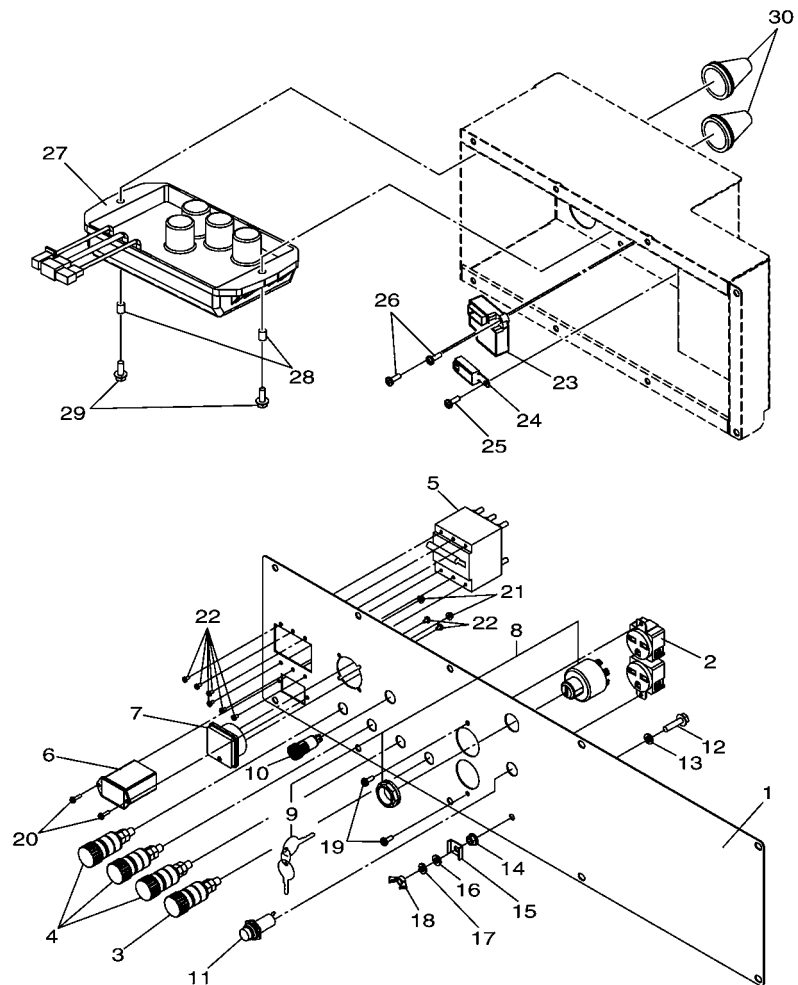
REF. NO.	PART NO.	DESCRIPTION	7UXA	7UYA	REMARKS
1	YA3-6F410-01-08	CONTROL PANEL CP	1		
2	YA3-6A470-04-08	AC CONCENT	1		
3	YA3-6C470-01-08	AC CONCENT	1		
4	YA3-6F472-01-08	TERMINAL	2		
5	YA3-6F480-01-08	CIRCUIT BREAKER(46A)	1		
6	YA3-6A490-02-08	HOUR METER	1		
7	YA3-6A490-01-08	VOLT METER	1		
8	YA0-66000-03-30	KEY SWITCH	1		
9	YA0-66000-99-80	.KEY	2		
10	YA3-6F490-01-08	PILOT LAMP	1		
11	YA3-6F490-02-08	LAMP(OIL WARNING)	1		
12	YA3-6A802-05-08	SCREW	1		
13	YA3-6A820-01-08	LOCK WASHER	1		
14	YA3-6A810-04-08	FLANGE NUT	1		
15	YA3-6A821-01-08	CAP WASHER	1		
16	YA3-6A822-04-08	WASHER	1		
17	YA3-6A823-02-08	SPRING WASHER	1		
18	YA3-6A811-01-08	WING NUT	1		
19	YA3-6A801-05-08	SCREW & WASHER AY	4		
20	YA3-6A810-01-08	FLANGE NUT	2		
21	YA3-6A810-05-08	FLANGE NUT	2		
22	YA3-6A802-03-08	SCREW	2		
23	YA3-6A801-08-08	SCREW & WASHER AY	4		
24	YAK-U3110-62-21	ECU(O/S & R/C) CP	1		
25	YA3-91483-01-01	RELAY	1		
26	YA3-6A801-04-08	SCREW & WASHER AY	1		
27	YA3-6A802-04-08	SCREW	2		




7UXA415-K160

FIG. 16 SWITCH & PANEL

REF. NO.	PART NO.	DESCRIPTION	7UXA	7UYA			REMARKS
			1	2			
28	YA3-6F202-01-08	AVR CP	1				
29	YA3-6A830-01-08	SPACER	2				
30	YA3-6A803-00-08	BOLT & WASHER AY	2				
31	YA3-6A250-03-08	GROMMET	2				

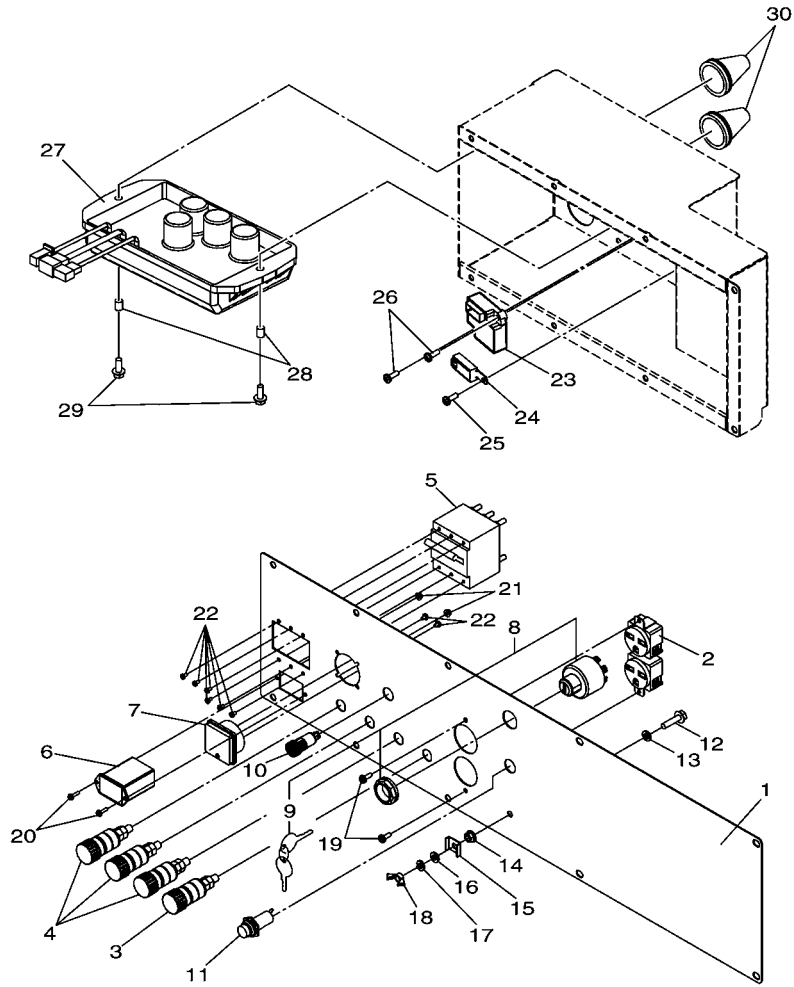


FWD
7UXA415-K170

FIG. 17 SWITCH & PANEL 1

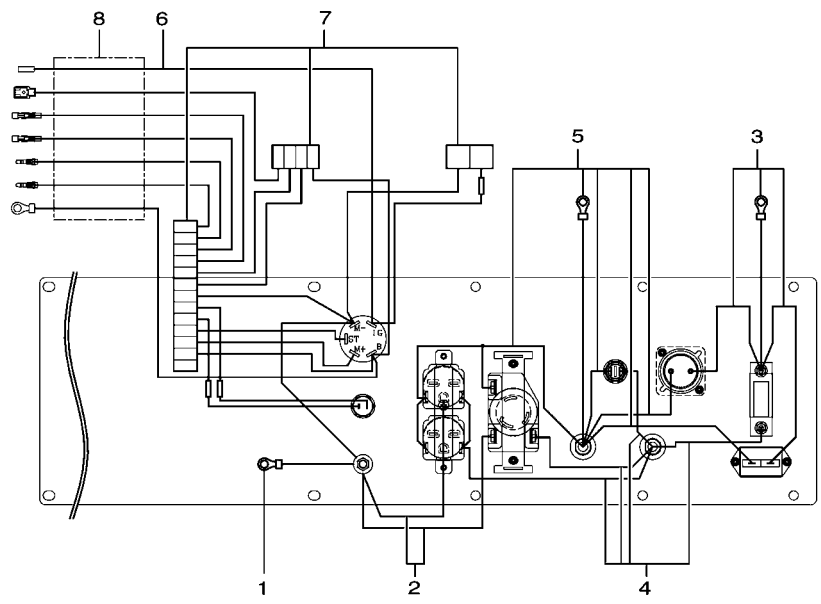
REF. NO.	PART NO.	DESCRIPTION	7UXA	7UYA	REMARKS
1	YA3-6F410-02-08	CONTROL PANEL CP		1	
2	YA3-6A470-04-08	AC CONCENT		1	
3	YA3-6F472-02-08	TERMINAL		1	
4	YA3-6F472-01-08	TERMINAL		3	
5	YA3-6F480-02-08	CIRCUIT BREAKER(19A)		1	
6	YA3-6A490-02-08	HOUR METER		1	
7	YA3-6F490-07-08	VOLT METER		1	
8	YA0-66000-03-30	KEY SWITCH		1	
9	YA0-66000-99-80	.KEY		2	
10	YA3-6F490-01-08	PILOT LAMP		1	
11	YA3-6F490-02-08	LAMP(OIL WARNING)		1	
12	YA3-6A802-05-08	SCREW		1	
13	YA3-6A820-01-08	LOCK WASHER		1	
14	YA3-6A810-04-08	FLANGE NUT		1	
15	YA3-6A821-01-08	CAP WASHER		1	
16	YA3-6A822-04-08	WASHER		1	
17	YA3-6A823-02-08	SPRING WASHER		1	
18	YA3-6A811-01-08	WING NUT		1	
19	YA3-6A801-05-08	SCREW & WASHER AY		2	
20	YA3-6A802-03-08	SCREW		2	
21	YA3-6A810-05-08	FLANGE NUT		2	
22	YA3-6A801-08-08	SCREW & WASHER AY		8	
23	YAK-U3110-62-21	ECU(O/S & R/C) CP		1	
24	YA3-91483-01-01	RELAY		1	
25	YA3-6A801-04-08	SCREW & WASHER AY		1	
26	YA3-6A802-04-08	SCREW		2	
27	YA3-6F202-02-08	AVR CP		1	

FIG. 17 SWITCH & PANEL 1




7UXA415-K170

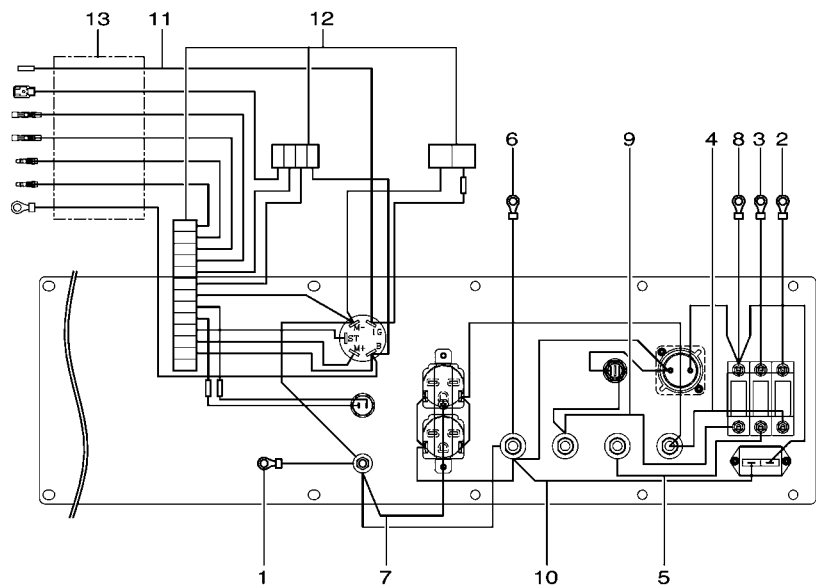
REF. NO.	PART NO.	DESCRIPTION	7UXA	7UYA			REMARKS
28	YA3-6A830-01-08	SPACER		2			
29	YA3-6A803-00-08	BOLT & WASHER AY		2			
30	YA3-6A250-03-08	GROMMET		2			



7UXA415-K180

FIG. 18 ELECTRICAL 1

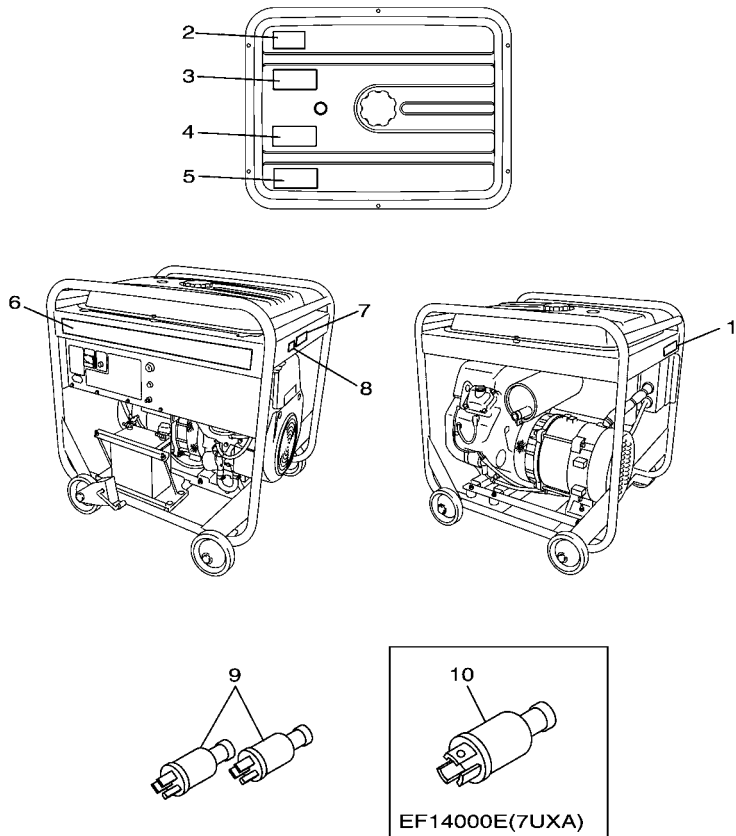
REF. NO.	PART NO.	DESCRIPTION	7UXA	7UYA	REMARKS
1	YA3-6A711-30-08	WIRE(GREEN)	1		
2	YA3-6A711-31-08	WIRE(GREEN)	1		
3	YA3-6A711-32-08	WIRE(RED)	1		
4	YA3-6A711-33-08	WIRE(RED)	1		
5	YA3-6A711-34-08	WIRE(BLUE)	1		
6	YA3-6A711-35-08	WIRE(GREEN)	1		
7	YA3-6A700-10-08	CONNECTOR AY	1		
8	YA3-6F490-03-08	CORRUGATED TUBE	1		



7UXA415-K190

FIG. 19 ELECTRICAL 2

REF. NO.	PART NO.	DESCRIPTION	7UXA	7UYA	REMARKS
1	YA3-6A711-30-08	WIRE(GREEN)		1	
2	YA3-6A711-37-08	WIRE(RED)		1	
3	YA3-6A711-38-08	WIRE(BLUE)		1	
4	YA3-6A711-39-08	WIRE(RED)		1	
5	YA3-6A711-40-08	WIRE(BLUE)		1	
6	YA3-6A711-41-08	WIRE(BLACK)		1	
7	YA3-6A711-42-08	WIRE(GREEN)		1	
8	YA3-6A711-43-08	WIRE(WHITE)		1	
9	YA3-6A711-44-08	WIRE(WHITE)		1	
10	YA3-6A711-45-08	WIRE(BLACK)		1	
11	YA3-6A711-35-08	WIRE(GREEN)		1	
12	YA3-6A700-10-08	CONNECTOR AY		1	
13	YA3-6F490-03-08	CORRUGATED TUBE		1	

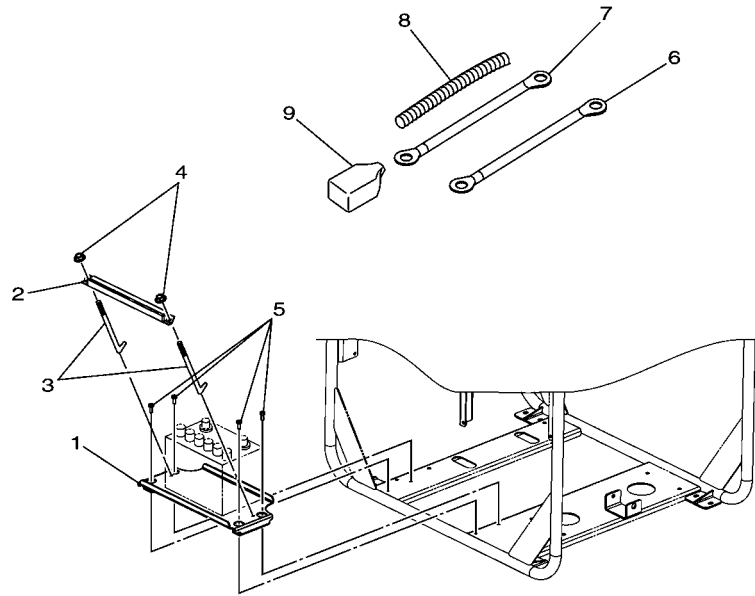


7UXA415-K200

FIG. 20 EMBLEM & LABEL

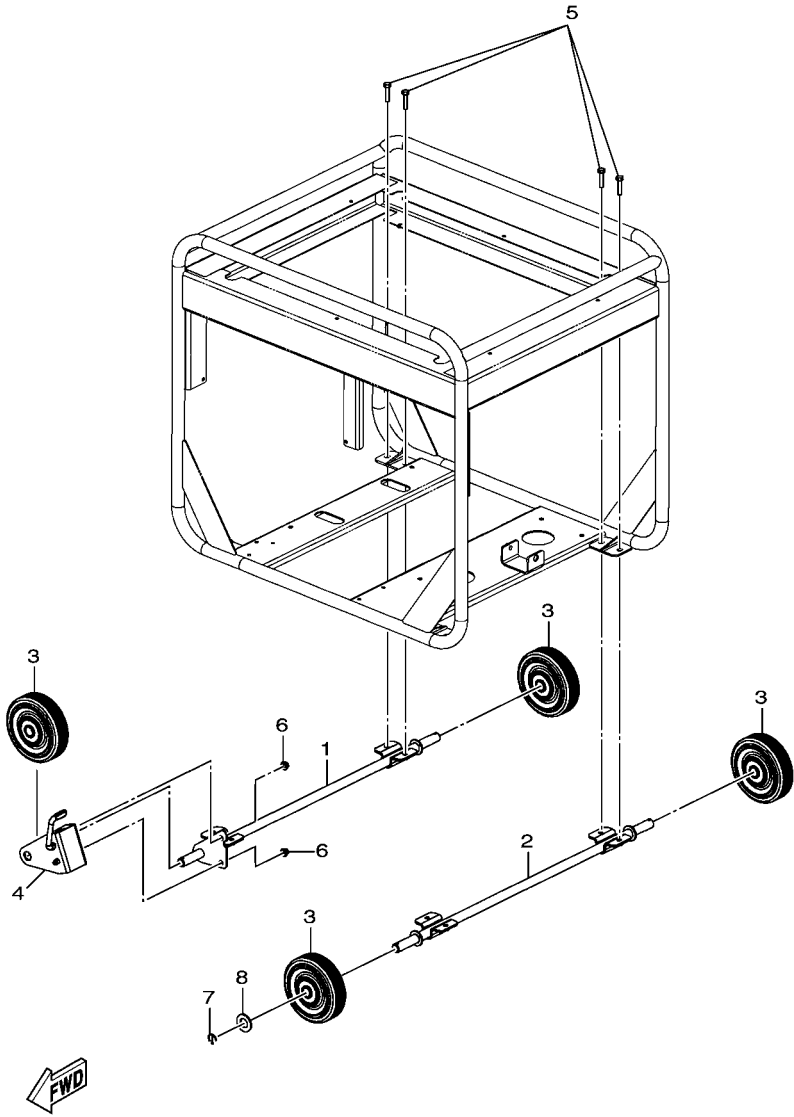
REF. NO.	PART NO.	DESCRIPTION	7UXA	7UYA	REMARKS
1	YA3-6F910-01-08	LABEL(SPEC)	1		
	YA3-6F910-02-08	LABEL(SPEC)		1	
2	YA3-6F980-01-08	LABEL(CAUTION)	1	1	
3	YA3-6A980-11-08	LABEL(CAUTION)	1	1	
4	YA3-6F980-02-08	LABEL(WARNING)	1	1	
5	YA3-6F980-03-08	LABEL(WARNING)	1	1	
6	YA3-6F980-04-08	LABEL(YAMAHA)	1	1	
7	YA3-6F980-05-08	LABEL(CHOKE)	1	1	
8	YA3-6A980-01-08	LABEL(FUEL COCK)	1	1	
9	YA3-6A780-03-08	AC PLUG(250V15A)	2	2	
10	YA3-6A780-02-08	AC PLUG(30A)	1		

FIG. 21 FRAME 2



REF. NO.	PART NO.	DESCRIPTION	7UXA	7UYA			REMARKS
			1	1			
1	YA3-6F390-01-08	BATTERY BASE	1	1			
2	YA3-6F390-02-08	SETTING PLATE CP	1	1			
3	YA3-6F390-03-08	SETTING BOLT	2	2			
4	YA3-6A810-04-08	FLANGE NUT	2	2			
5	YA3-6A803-00-08	BOLT & WASHER AY	4	4			
6	YA3-6F390-04-08	EARTH CABLE(BLACK)	1	1			
7	YA3-6F390-05-08	STARTER CABLE(RED)	1	1			
8	YA3-6F390-06-08	CORRUGATED TUBE	1	1			
9	YA3-6F390-07-08	COVER TERMINAL	1	1			

FIG. 22 FRAME 3



7UXA415-K220

REF. NO.	PART NO.	DESCRIPTION	7UXA	7UYA	REMARKS
1	YA3-6F395-01-08	SHAFT 1 CP	1	1	
2	YA3-6F395-02-08	SHAFT 2 CP	1	1	
3	YA3-6F395-03-08	WHEEL	4	4	
4	YA3-6F395-04-08	STOPPER AY	1	1	
5	YA3-6A800-08-08	FLANGE BOLT	8	8	
6	YA3-6A810-02-08	FLANGE NUT	2	2	
7	YA3-6A840-01-08	COTTER PIN	4	4	
8	YA3-6A822-05-08	WASHER	3	3	

NUMERICAL INDEX

PART NO.	REF. NO.	PART NO.	REF. NO.	PART NO.	REF. NO.	PART NO.	REF. NO.	PART NO.	REF. NO.	PART NO.	REF. NO.
YA0-01050-84	2 - 7	YA2-0K625-58-08	9 - 23	YA2-45705-16-08	12 - 11	YA2-63370-02-A3	3 - 13	YA2-63772-02-11	11 - 1	YA3-6A800-04-08	15 - 19
YA0-01140-61-60	6 - 9	YA2-0K625-59-08	9 - 22	YA2-45705-18-08	12 - 8	YA2-63373-02-H3	4 - 8	YA2-63782-02-11	11 - 2	YA3-6A800-06-08	15 - 17
YA0-01140-62-50	11 - 5	YA2-0K625-60-08	9 - 14	YA2-45705-20-08	12 - 12	YA2-63373-21-H2	4 - 7	YA2-63794-05-A1	11 - 3	YA3-6A800-08-08	22 - 5
YA0-01140-63	5 - 8	YA2-0K625-61-08	9 - 17	YA2-46336-11-03	3 - 3	YA2-63422-01-A3	5 - 2	YA0-64154-00-11	8 - 3	YA3-6A800-11-08	14 - 11
YA0-01160-52	11 - 6	YA2-0K917-03-03	3 - 29	YA2-46337-11-13	3 - 4	YA2-63423-01-B3	5 - 1	YA0-64200-02-20	8 - 8	YA3-6A800-12-08	14 - 20
YA0-02270-50	5 - 20	YA0-10506-01-91	3 - 17	YA2-46355-01-03	3 - 7	YA2-63425-06-13	5 - 10	YA0-64200-02-30	8 - 9	YA3-6A801-04-08	15 - 11
YA0-02380-60	3 - 18	YA0-10508-02-90	1 - 26	YA2-48658-01	7 - 22	YA2-63433-11-A3	5 - 18	YA0-64201-07	8 - 7		16 - 26
	5 - 21		1 - 31	YAX-56109-00-30	10 - 8	YA2-63439-01-A3	5 - 15	YA0-64201-07-10	8 - 10		17 - 25
YA0-02380-80	3 - 15	YA0-11006-00-10	11 - 22	YA0-56110-00-30	7 - 5	YA2-63450-03-11	1 - 16	YA0-64800-15	8 - 4	YA3-6A801-05-08	16 - 19
	3 - 24	YA0-11006-00-20	3 - 23	YA0-56120-00-20	3 - 27	YA2-63450-21-A2	5 - 22	YA0-65014-02-80	11 - 10		17 - 19
	11 - 14		5 - 24	YA0-56300-00-10	11 - 17	YA2-63460-10-03	5 - 16	YAX-65510-00-10	11 - 11	YA3-6A801-08-08	16 - 23
YA0-03100-80	5 - 4		6 - 7	YA0-56510-00-50	1 - 24	YA2-63462-14-A3	1 - 18	YAX-65910-00-10	11 - 9		17 - 22
YA0-03101-80	2 - 4		7 - 13		1 - 29	YA2-63462-15-A3	1 - 17	YA0-66000-03-30	16 - 8	YA3-6A802-03-08	16 - 22
YA0-03701-40	7 - 24	YA0-11006-00-30	1 - 44	YA0-56521-00-20	2 - 11	YA2-63526-12-A1	6 - 3		17 - 8		17 - 20
YA0-05110-60-01	5 - 7		6 - 2	YA0-56600-02-50	6 - 10	YA2-63529-12-A2	6 - 6	YA0-66000-99-80	16 - 9	YA3-6A802-04-08	16 - 27
YA0-05320-54-01	2 - 5		7 - 19		11 - 18	YA2-63541-01-A2	6 - 8		17 - 9		17 - 26
YA2-06755-01-01	7 - 7	YA0-11006-01-01	1 - 39	YA2-58624-45-08	9 - 12	YA2-63556-01-03	1 - 4	YA2-67357-01-03	3 - 11	YA3-6A802-05-08	16 - 12
	11 - 21		10 - 4	YA2-58625-55-08	9 - 3	YA2-63625-05-08	9 - 10	YA2-67361-02-03	3 - 9		17 - 12
YA0-06903-08	7 - 26	YA0-11006-01-40	11 - 16	YA1-59654-01-03	1 - 7	YA2-63625-74-08	9 - 15	YA2-67622-01-10	7 - 9	YA3-6A803-00-08	8 - 12
YA1-07624-62-08	9 - 24	YA0-11006-02-20	8 - 5	YA2-61452-01-03	5 - 12	YA2-63636-03-01	7 - 8	YA3-6A250-03-08	16 - 31		14 - 8
YA2-07705-24-08	12 - 10	YA0-11008-01	11 - 13	YA2-63111-02-71	1 - 13	YA2-63639-01-13	7 - 14		17 - 30		15 - 10
YA2-07705-26-08	12 - 13	YA0-11008-02-20	1 - 21	YA2-63142-11-03	1 - 23	YA2-63639-02-13	7 - 15	YA3-6A470-04-08	16 - 2		16 - 30
YA2-0B624-53-08	9 - 13	YA0-11010-00-70	1 - 34		1 - 28	YA2-63640-02-01	7 - 16		17 - 2		17 - 29
YA2-0B625-41-08	9 - 18	YA0-11505-00-20	5 - 19	YA2-63143-01-03	1 - 41	YA2-63643-02-02	7 - 20	YA3-6A490-01-08	16 - 7		21 - 5
YA2-0B625-56-08	9 - 32	YA0-15205-00-10	5 - 17	YA2-63155-01-A3	1 - 36	YA2-63644-14-A3	7 - 28	YA3-6A490-02-08	16 - 6	YA3-6A804-01-08	15 - 14
YA2-0K130-01-01	1 - 22	YA2-15623-53-08	9 - 29	YA2-63158-05-03	1 - 2	YA2-63650-01-13	7 - 23		17 - 6	YA3-6A810-01-08	16 - 20
YA2-0K131-01-01	1 - 27	YA2-15624-46-08	9 - 30		1 - 15	YA2-63650-02-A3	7 - 10	YA3-6A700-10-08	18 - 7	YA3-6A810-02-08	15 - 13
YA2-0K326-01-A0	4 - 1	YA0-17006-01-10	3 - 12	YA2-63160-02-A3	1 - 20	YA2-63650-11-A3	7 - 21		19 - 12		22 - 6
YA2-0K427-01-A3	5 - 5	YA0-18018-00-10	2 - 3	YA2-63160-06-03	1 - 43	YA2-63660-01-03	7 - 25	YA3-6A711-30-08	18 - 1	YA3-6A810-03-08	15 - 16
YA2-0K428-01-B3	5 - 6	YA0-18606-00-20	5 - 9	YA2-63161-01-A3	1 - 37	YA2-63685-01-03	7 - 4		19 - 1	YA3-6A810-04-08	16 - 14
YA2-0K623-01-20	9 - 1	YA3-1G361-02-01	8 - 1	YA2-63226-01-20	2 - 6		7 - 12	YA3-6A711-31-08	18 - 2		17 - 14
YA2-0K624-00-08	9 - 25	YA0-21114-00-20	1 - 11	YA2-63226-02-10	2 - 6	YA2-63705-03	12 - 1	YA3-6A711-32-08	18 - 3		21 - 4
YA2-0K624-01-08	9 - 26	YAX-23008-01-50	5 - 3	YA2-63233-01-33	2 - 8	YA2-63705-03-08	12 - 6	YA3-6A711-33-08	18 - 4	YA3-6A810-05-08	16 - 21
YA2-0K625-00-08	9 - 7	YAX-24089-00-30	7 - 18	YA2-63250-12-A3	2 - 2	YA2-63705-07-08	12 - 7	YA3-6A711-34-08	18 - 5		17 - 21
YA2-0K625-15-08	9 - 8	YA2-26431-01-01	5 - 14	YA2-63250-13-A3	2 - 2	YA2-63705-12-08	12 - 4	YA3-6A711-35-08	18 - 6	YA3-6A810-06-08	14 - 10
YA2-0K625-20-08	9 - 5	YA0-31006-00-20	1 - 38	YA2-63250-14-A3	2 - 2	YA2-63705-15-08	12 - 9		19 - 11	YA3-6A810-07-08	14 - 10
YA2-0K625-25-08	9 - 4	YA0-31008-01-10	1 - 3	YA2-63301-04-H1	4 - 6	YA2-63705-22-08	12 - 5	YA3-6A711-36-08	15 - 20	YA3-6A811-01-08	16 - 18
YA2-0K625-30-08	9 - 6	YA1-3211A-A1-10	1 - 25	YA2-63326-10-A1	4 - 5	YA2-63705-61-08	12 - 2	YA3-6A711-37-08	19 - 2		17 - 18
YA2-0K625-36-08	9 - 2		1 - 30	YA2-63326-30-03	4 - 3	YA2-63705-71-08	12 - 18	YA3-6A711-38-08	19 - 3	YA3-6A812-01-08	14 - 17
YA2-0K625-40-08	9 - 9	YA2-35154-21-03	1 - 6	YA2-63326-40-01	4 - 4	YA2-63705-76-08	12 - 15	YA3-6A711-39-08	19 - 4	YA3-6A820-01-08	15 - 21
YA2-0K625-41-08	9 - 19	YA0-40114-00-30	1 - 10	YA2-63333-01-A3	3 - 2	YA2-63705-91-08	12 - 17	YA3-6A711-40-08	19 - 5		16 - 13
YA2-0K625-42-08	9 - 21	YAX-42306-00-30	3 - 28	YA2-63334-01-03	3 - 5	YA2-63705-96-08	12 - 14	YA3-6A711-41-08	19 - 6		17 - 13
YA2-0K625-50-08	9 - 16	YA0-43059-00-11	8 - 2	YA2-63335-02-13	3 - 6	YA2-63710-02-H3	11 - 4	YA3-6A711-42-08	19 - 7	YA3-6A821-01-08	16 - 15
YA2-0K625-53-08	9 - 11	YA0-44008-00-10	1 - 5	YA2-63353-22-A1	3 - 8	YA2-63719-03-A1	11 - 15	YA3-6A711-43-08	19 - 8		17 - 15
YA2-0K625-54-08	9 - 20	YA0-44035-01-70	7 - 17	YA2-63353-41-03	1 - 8	YA2-63730-16-01	11 - 7	YA3-6A711-44-08	19 - 9	YA3-6A822-01-08	15 - 15
YA2-0K625-55-08	9 - 27	YA0-44042-00-30	1 - 14		1 - 9	YA2-63730-17-01	11 - 8	YA3-6A711-45-08	19 - 10	YA3-6A822-02-08	15 - 18
YA2-0K625-56-08	9 - 28	YA2-45705-03-08	12 - 3	YA2-63355-03-A3	3 - 22	YA2-63731-02-11	11 - 19	YA3-6A780-02-08	20 - 10	YA3-6A822-03-08	14 - 13
YA2-0K625-57-08	9 - 31	YA2-45705-09-08	12 - 16	YA2-63358-01-03	3 - 10	YA2-63761-02-H1	1 - 12	YA3-6A780-03-08	20 - 9	YA3-6A822-04-08	16 - 16

NUMERICAL INDEX

PART NO.	REF. NO.	PART NO.	REF. NO.	PART NO.	REF. NO.	PART NO.	REF. NO.	PART NO.	REF. NO.	PART NO.	REF. NO.
YA3-6A822-04-08	17 - 16	YA3-6F410-01-08	16 - 1	YA2-80460-01-03	5 - 13						
YA3-6A822-05-08	22 - 8	YA3-6F410-02-08	17 - 1	YA2-80460-11-A3	5 - 11						
YA3-6A823-01-08	14 - 14	YA3-6F472-01-08	16 - 4	YA2-80512-02-A2	6 - 1						
YA3-6A823-02-08	16 - 17		17 - 4	YA2-80527-01-C1	6 - 4						
	17 - 17	YA3-6F472-02-08	17 - 3	YA2-80528-01-A2	6 - 5						
YA3-6A830-01-08	16 - 29	YA3-6F480-01-08	16 - 5	YA2-80636-02-A1	7 - 27						
	17 - 28	YA3-6F480-02-08	17 - 5	YA2-80650-01-C1	10 - 5						
YA3-6A830-02-08	15 - 5	YA3-6F490-01-08	16 - 10	YA2-80650-11-01	10 - 1						
YA3-6A840-01-08	22 - 7		17 - 10	YA2-80650-25-A3	10 - 2						
YA3-6A980-01-08	20 - 8	YA3-6F490-02-08	16 - 11	YA2-80650-30-01	10 - 9						
YA3-6A980-11-08	20 - 3		17 - 11	YA2-80650-37-03	10 - 6						
YA3-6C470-01-08	16 - 3	YA3-6F490-03-08	18 - 8	YA2-80650-38-03	10 - 7						
YA3-6F200-01-08	14 - 4		19 - 13	YA2-80650-50-A3	10 - 3						
YA3-6F200-02-08	14 - 4	YA3-6F490-04-08	15 - 3	YA2-80662-02-03	3 - 21						
YA3-6F201-01-08	14 - 3	YA3-6F490-05-08	15 - 7	YA2-80731-02-01	11 - 20						
YA3-6F201-02-08	14 - 3	YA3-6F490-06-08	15 - 8	YA2-80990-01-27	1 - 45						
YA3-6F202-01-08	16 - 28	YA3-6F490-07-08	17 - 7	YA2-82903-01-H0	13 - 1						
YA3-6F202-02-08	17 - 27	YA3-6F600-01-08	8 - 11	YAX-84143-20	5 - 23						
YA3-6F203-01-08	14 - 6	YA3-6F910-01-08	20 - 1	YA0-85103-01-10	7 - 6						
YA3-6F210-01-08	14 - 15	YA3-6F910-02-08	20 - 1	YAX-85106-15-42	7 - 1						
YA3-6F211-01-08	14 - 12	YA3-6F980-01-08	20 - 2	YAX-85106-16-30	7 - 11						
YA3-6F220-01-08	14 - 1	YA3-6F980-02-08	20 - 4	YA0-85106-21-60	7 - 2						
YA3-6F222-01-08	14 - 2	YA3-6F980-03-08	20 - 5	YA0-85106-21-70	7 - 3						
YA3-6F230-01-08	14 - 5	YA3-6F980-04-08	20 - 6	YA3-91390-00-13	8 - 6						
YA3-6F250-01-08	14 - 7	YA3-6F980-05-08	20 - 7	YA3-91483-01-01	16 - 25						
YA3-6F250-02-08	14 - 9	YA2-70352-01-01	3 - 14		17 - 24						
YA3-6F250-03-08	14 - 16	YA2-77419-02-01	1 - 19	YAK-U3110-62-21	16 - 24						
YA3-6F250-04-08	14 - 18	YA2-79552-01-03	11 - 12		17 - 23						
YA3-6F250-05-08	14 - 19	YA2-80101-01-21	1 - 1								
YA3-6F250-06-08	14 - 22	YA2-80144-01-A1	1 - 42								
YA3-6F250-07-08	14 - 21	YA2-80150-01-13	1 - 32								
YA3-6F300-01-08	15 - 1	YA2-80151-01-13	1 - 33								
YA3-6F310-01-08	15 - 12	YA2-80155-01-A3	1 - 35								
YA3-6F330-01-08	15 - 4	YA2-80180-01-03	3 - 26								
YA3-6F341-01-08	15 - 6	YA2-80190-01-A3	1 - 40								
YA3-6F350-01-08	15 - 9	YA2-80212-01-11	2 - 1								
YA3-6F390-01-08	21 - 1	YA2-80234-11-H3	2 - 9								
YA3-6F390-02-08	21 - 2	YA2-80234-12-H3	2 - 9								
YA3-6F390-03-08	21 - 3	YA2-80234-13-H3	2 - 9								
YA3-6F390-04-08	21 - 6	YA2-80235-01-07	2 - 10								
YA3-6F390-05-08	21 - 7	YA2-80235-02-07	2 - 10								
YA3-6F390-06-08	21 - 8	YA2-80235-03-17	2 - 10								
YA3-6F390-07-08	21 - 9	YA2-80318-01-03	3 - 1								
YA3-6F395-01-08	22 - 1	YA2-80326-26-A1	4 - 2								
YA3-6F395-02-08	22 - 2	YA2-80330-05-H1	3 - 16								
YA3-6F395-03-08	22 - 3	YA2-80355-01-03	3 - 20								
YA3-6F395-04-08	22 - 4	YA2-80356-22-03	3 - 19								
YA3-6F400-01-08	15 - 2	YA2-80380-01-03	3 - 25								