



# PARTS CATALOGUE

# EDL15000SDE (Q9CR) CSA,CHN,SEA

---



1J9CR-600E1

( )

EDL15000SDE  
PARTS CATALOGUE  
©2010 by Yamaha Motor Co., Ltd.  
1st edition, June 2010  
All rights reserved.  
Any reprinting or unauthorized use  
without the written permission of  
Yamaha Motor Co., Ltd.  
is expressly prohibited.  
Printed in Japan.

# FOREWORD

This Parts Catalogue is related to the parts for the model(s) on the cover page. When you are ordering replacement parts, please refer to this Parts Catalogue and quote both part numbers and part names correctly.

1. Modifications or additions which have been made after the issue of the Parts Catalogue will be announced in the Parts News.

It is advisable that you make the necessary corrections to the Parts Catalogue according to the Parts News.

2. Abbreviations

The following abbreviations are used in this Parts Catalogue.

“UR” Use specified parts number.

“UN” Use as many as needed.

“AP” Alternate Parts

“LM” Locally Made (Parts need to be ordered locally)

“F#” Frame No. (Applicable machine No.)

“O/S” Over Size

3. The number of components for assembly

- Parts, which are to be supplied in an assembly, are listed with a dot (.) in front of the part name as shown below.
- The numeral appearing to the right of each component part indicates the quantity of parts for each assembly unit.

PART NO.	DESCRIPTION	Q'TY	REMARKS
2F5-83310-60	FRONT FLASHER LIGHT ASSY	2	
115-83311-60	.BULB (6V-18W)	1	

4. Applicable colours of graphics are represented in the “REMARKS” as shown below.

PART NO.	DESCRIPTION	Q'TY	REMARKS
2N4-24110-00-X5	FUEL TANK COMP.	2	MXR
3J1-24240-10	.GRAPHIC, FUEL TANK	1	FOR MXR

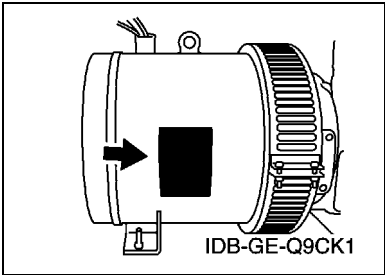
5. Note that the illustrations for reference in finding parts numbers are not to be used for assembling. When assembling, please use the applicable service manual.

6. The asterisk (\*) before a reference number indicates modified items after the first edition.

# FOREWORD

7. Applicable Serial No.

Primary Identification No.



8. Applicable Colour Code (The (\*) mark shows Model colour.)

Abbreviation	Colour Name	Colour Code

9. Applicable Starting Serial No.

\*\*\*\*\*Serial NO.

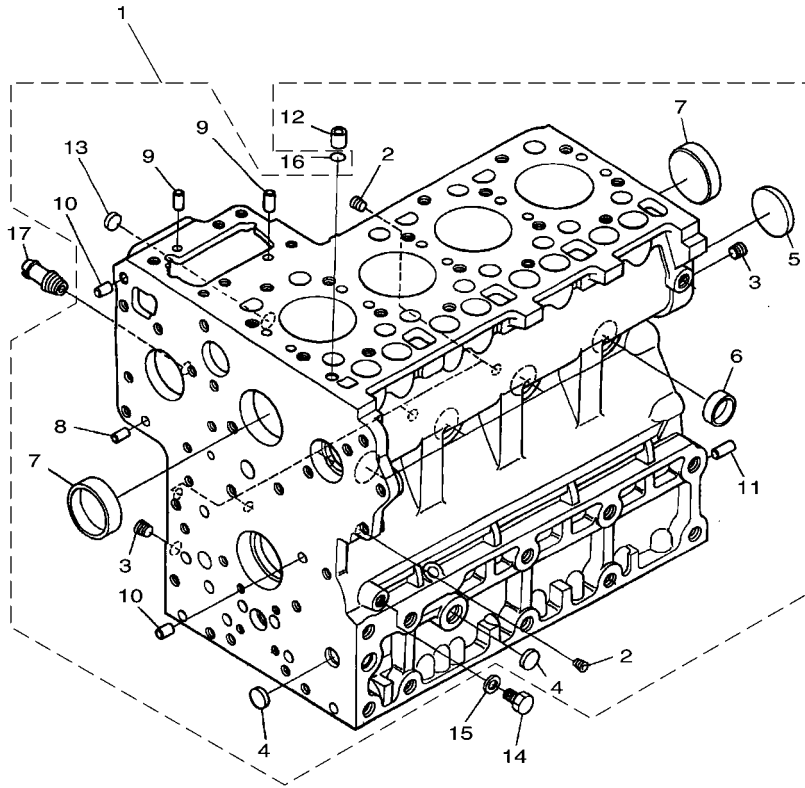
Model	Model Code	Destination	Voltage	Serial NO.
EDL15000SDE	Q9CR	CSA,CHN,SEA	120V/240V-60Hz	Q9CR-0100101

# CONTENTS

CRANKCASE .....	1
OIL PAN .....	2
CYLINDER HEAD .....	3
CRANKCASE COVER .....	4
COVER .....	5
OIL FILTER .....	6
CAMSHAFT & IDLE GEAR .....	7
CRANKSHAFT & PISTON .....	8
FLYWHEEL HOUSING .....	11
INJECTION PUMP 1 .....	12
INJECTION PUMP 2 .....	14
FUEL INJECTION NOZZLE .....	16
FUEL FILTER .....	17
FUEL TANK .....	18
GENERATOR 1 .....	19
STARTING MOTOR .....	21
WATER PUMP .....	23
RADIATOR & HOSE .....	25
CAMSHAFT & VALVE .....	26
INTAKE MANIFOLD .....	27
EXHAUST .....	28
AIR CLEANER .....	29
FRAME 1 .....	30
GENERATOR 2 .....	31
ELECTRICAL 1 .....	33
ELECTRICAL 2 .....	35
ELECTRICAL 3 .....	36
ELECTRICAL 4 .....	37
FRAME 2 .....	38
FRAME 3 .....	39
LABELS .....	40

## INDEX

NUMERICAL INDEX .....	41
-----------------------	----



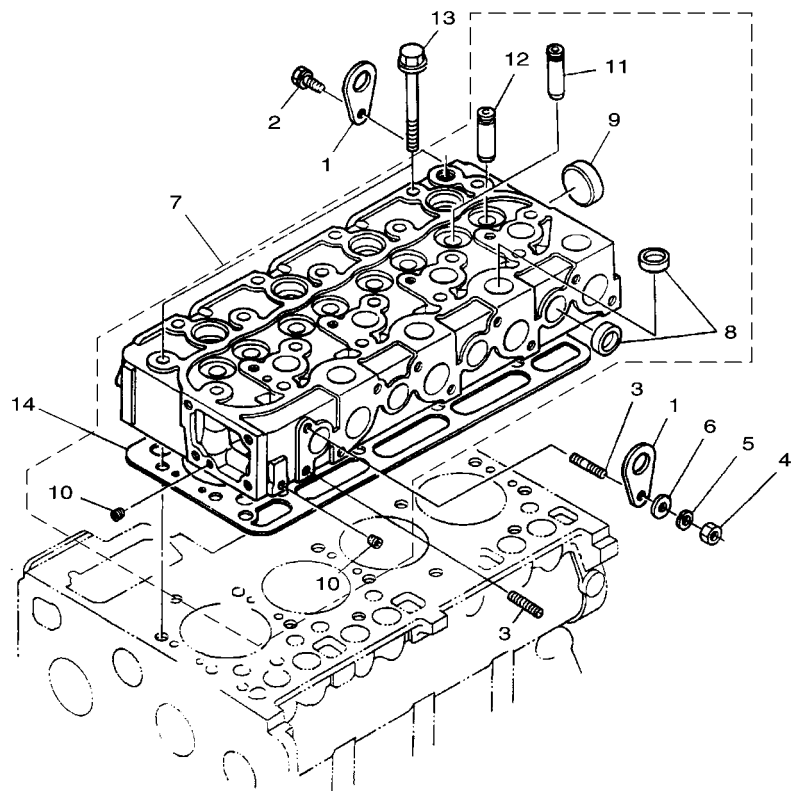
  
Q9CR600-J010

**FIG. 1 CRANKCASE**

REF. NO.	PART NO.	DESCRIPTION	Q9CR				REMARKS
1	YF1-G6080-10-13	COMP.CRANKCASE	1				
2	YF1-55219-60-20	.PLUG	6				
3	YF1-55219-60-30	.PLUG	2				
4	YF1-73919-61-60	.PLUG	3				
5	YF1-62719-61-60	.PLUG	1				
6	YF1-52210-33-80	.CAP,SEALING	6				
7	YF1-52210-33-90	.CAP,SEALING	2				
8	YF0-50120-04-08	.PIN,STRAIGHT	2				
9	YF0-50120-06-09	.PIN, STRAIGHT	2				
10	YF0-50120-06-12	.PIN	2				
11	YF0-50120-10-18	.PIN,STRAIGHT	1				
12	YF1-52213-36-50	.PIN,PIPE	1				
13	YF1-68519-62-70	.PLUG,EXPANSION 2	1				
14	YF1-G8963-36-10	PLUG	1				
15	YF1-50213-36-60	PACKING	1				
16	YF1-52213-37	O-RING	1				
17	YF1-53217-33-40	PIPE, WATER RETURN (EDL6500)	1				



**FIG. 3 CYLINDER HEAD**

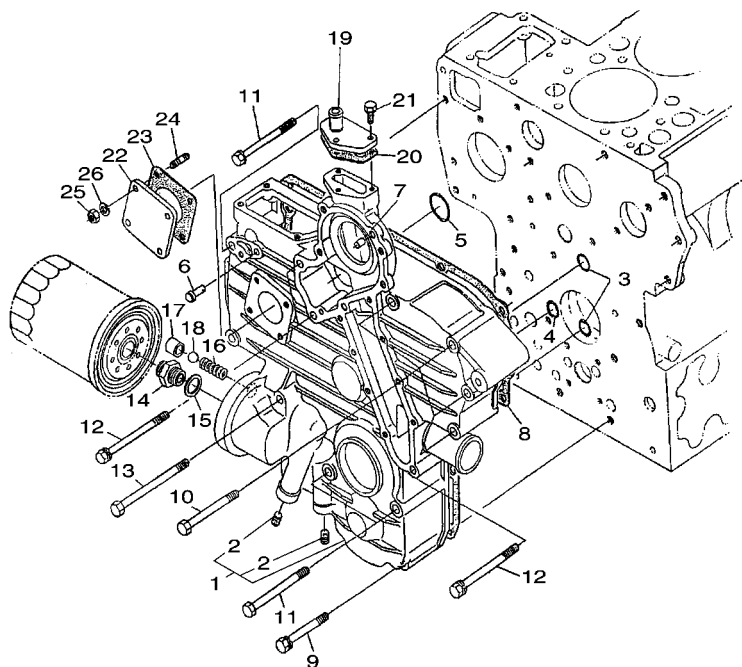


  
Q9CR600-J030

REF. NO.	PART NO.	DESCRIPTION	Q9CR				REMARKS
1	YF1-52210-17-50	HOOK,ENGINE	2				
2	YF0-11236-08-16	BOLT	1				
3	YF1-54719-15-30	STUD	2				
4	YF0-21565-00-80	NUT	1				
5	YF0-45126-00-80	WASHER,SPRING	1				
6	YF0-40125-00-80	WASHER,PLATE	1				
7	YF1-90770-30-48	COMP.CYLINDER HEAD	1				
8	YF1-52210-33-70	.CAP,SEALING	12				
9	YF1-52210-34-90	.PLUG,EXPANSION	1				
10	YF1-52619-60-10	.PLUG	2				
11	YF1-73211-35-80	.GUIDE,INLET VALVE	4				
12	YF1-73211-35-60	.GUIDE,EXHAUST VALVE	4				
13	YF1-90130-34-50	BOLT,CYLINDER HEAD	18				
14	YF1-90770-33-10	GASKET,CYLINDER HEAD	1				



**FIG. 4 CRANKCASE COVER**



  
Q9CR600-J040

REF. NO.	PART NO.	DESCRIPTION	Q9CR				REMARKS
1	YF1-63430-40-20	COMP.CASE,GEAR	1				
2	YF1-68519-60-10	.PLUG	2				
3	YF0-48170-01-50	O RING	2				
4	YF0-48170-02	O RING	1				
5	YF0-48170-03-60	O RING	1				
6	YF1-52215-62-80	PIN, START SPRING (EDL6500)	1				
7	YF0-50120-06-12	PIN	2				
8	YF1-57660-41-32	GASKET,GEAR CASE	1				
9	YF1-64679-10-10	BOLT,FLANGE	2				
10	YF1-A0219-10-30	BOLT,FLANGE	5				
11	YF1-64679-10-20	BOLT,FLANGE	3				
12	YF0-17545-08-85	BOLT,FLANGE	3				
13	YF1-64249-10-10	BOLT,FLANGE	2				
14	YF1-A0213-22-90	JOINT,PIPE	1				
15	YF1-G7903-23-02	COLLAR,VALVE SEAT	1				
16	YF1-52413-69-50	SPRING (EDL6500)	1				
17	YF1-55213-69-30	SEAT,VALVE	1				
18	YF0-77150-32-13	BALL	1				
19	YF1-55217-33-20	FLANGE,WATER RETURN	1				
20	YF1-A0217-33-30	GASKET,RETURN FLANGE	1				
21	YF0-10235-06-20	BOLT	3				
22	YF1-52238-33-40	COVER	1				
23	YF1-G7518-81-30	GASKET,HOUR METER	1				
24	YF1-52218-82-10	STUD	4				
25	YF0-20565-00-60	NUT	4				
26	YF0-45126-00-60	WASHER,SPRING	4				

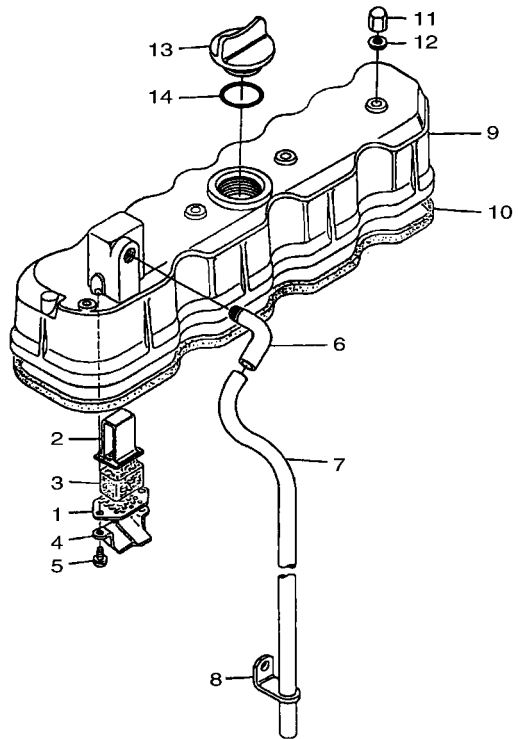
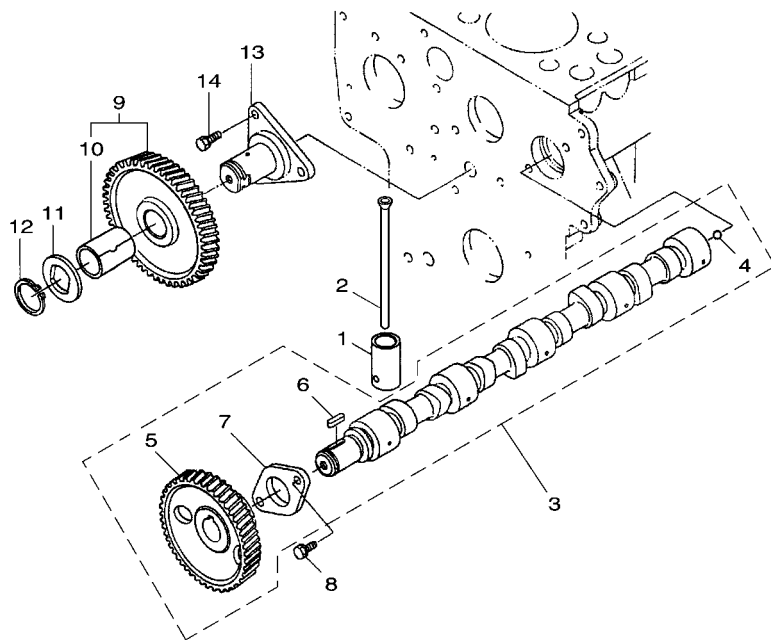


FIG. 5 COVER

REF. NO.	PART NO.	DESCRIPTION	Q9CR				REMARKS
1	YF1-55210-51-40	PLATE,B/THER ELEMENT	1				
2	YF1-55210-51-50	PLATE,B/THER ELEMENT	1				
3	YF1-55210-56-70	ELEMENT,BREATHER	1				
4	YF1-55210-53-70	OIL SHIELD,BREATHER	1				
5	YF0-30345-05-10	SCREW,WITH WASHER	2				
6	YF1-55210-55-50	JOINT,BREATHER PIPE	1				
7	YF1-56050-55-10	PIPE,BREATHER	1				
8	YF1-54010-55-80	CLAMP,PIPE	1				
9	YF1-54341-45-10	COVER,CYL.HEAD	1				
10	YF1-54711-45-20	GASKET,HEAD COVER	1				
11	YF1-54519-23-30	NUT	4				
12	YF1-50213-36-60	PACKING	4				
13	YF1-58523-31-40	PLUG,OIL FILLER	1				
14	YF0-48175-03	O RING	1				





NOTE:ORDER BY 4 PARTS SET  
 REF.NO.9 YF1-G7912-40-10 COMP.GEAR,IDLE  
 REF.NO.11 YF1-A0212-43-70 COLLAR  
 REF.NO.12 YF1-54519-54 CIR CLIP,EXTERNAL  
 REF.NO.13 YF1-A0212-42-52 SHAFT,IDLE GEAR



Q9CR600-J070

FIG. 7 CAMSHAFT & IDLE GEAR

REF. NO.	PART NO.	DESCRIPTION	Q9CR				REMARKS
1	YF1-56011-55-50	TAPPET	8				
2	YF1-90131-51-10	PUSH ROD	8				
3	YF1-73431-60-10	ASSY CAMSHAFT	1				
4	YF0-77150-04-01	.BALL	1				
5	YF1-55211-65-15	.GEAR,CAM	1				
6	YF0-57120-07-20	.KEY	1				
7	YF1-52211-62-70	STOPPER,CAMSHAFT	1				
8	YF0-11235-08-18	BOLT	2				
9	YF1-G7912-40-10	COMP.GEAR,IDLE	1				
10	YF1-A0212-42-81	.BUSH,IDLE GEAR	1				
11	YF1-A0212-43-70	COLLAR	1				
12	YF1-54519-54	CIR CLIP,EXTERNAL	1				
13	YF1-A0212-42-52	SHAFT,IDLE GEAR	1				
14	YF0-11235-08-18	BOLT	3				

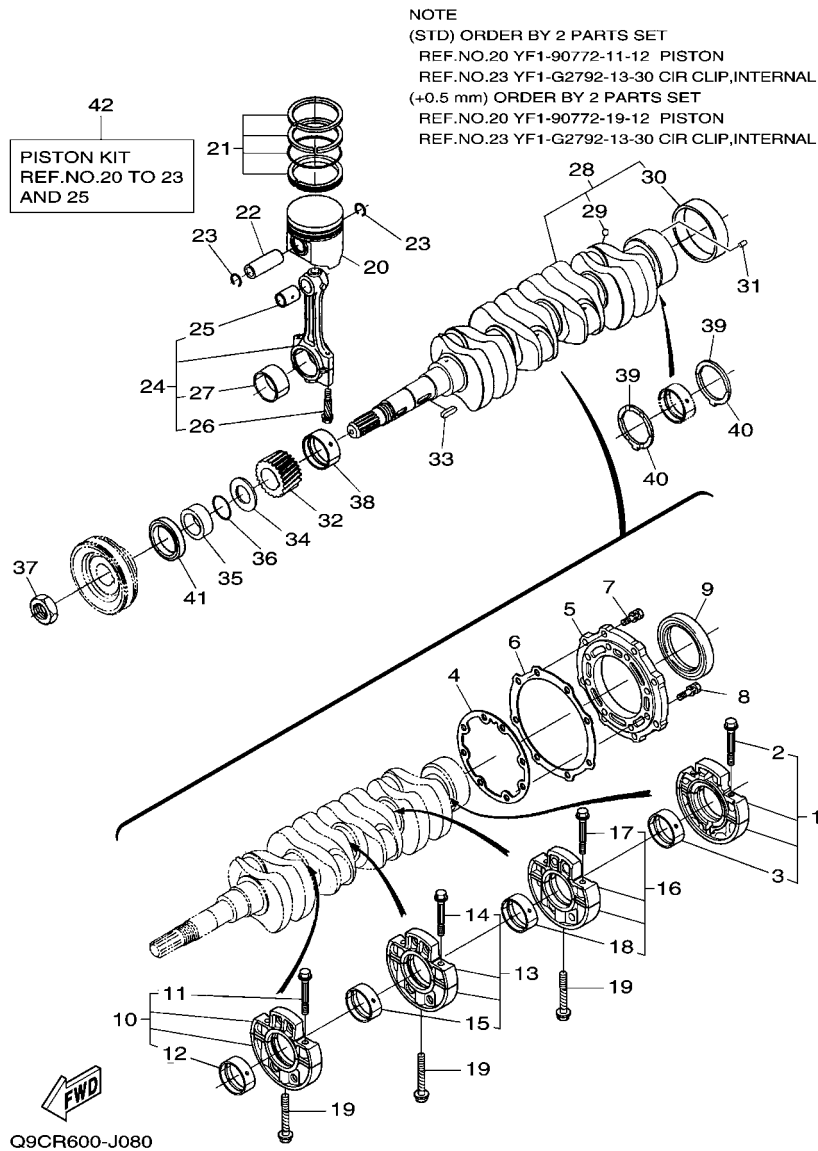


FIG. 8 CRANKSHAFT & PISTON

REF. NO.	PART NO.	DESCRIPTION	Q9CR			REMARKS
1	YF1-A0410-70-95	ASSY BRG.CASE,WHEEL	1			
2	YF1-A0910-45-40	.BOLT,BEARING CASE	2			
3	YF1-A0912-34-82	.METAL,CRANKSHAFT (STD)	1			
	YF1-A0912-39-30	.METAL,CRANKSHAFT (0.2MM U/S)	1			AP
	YF1-A0912-39-40	.METAL,CRANKSHAFT (0.4MM U/S)	1			AP
4	YF1-A0910-43-62	GASKET,BEARING CASE	1			
5	YF1-G8510-48-12	COVER,BEARING CASE	1			
6	YF1-A0910-48-20	GASKET,CASE COVER	1			
7	YF0-11235-08-25	BOLT	8			
8	YF0-11235-08-28	BOLT	8			
9	YF1-G9110-44-60	SEAL,OIL	1			
10	YF1-A0910-70-45	ASSY BRG.CASE,MAIN	1			
11	YF1-A0910-45-40	.BOLT,BEARING CASE	2			
12	YF1-A0912-34-82	.METAL,CRANKSHAFT (STD)	1			
	YF1-A0912-39-30	.METAL,CRANKSHAFT (0.2MM U/S)	1			AP
	YF1-A0912-39-40	.METAL,CRANKSHAFT (0.4MM U/S)	1			AP
13	YF1-A0910-70-55	ASSY BRG.CASE,MAIN	1			
14	YF1-A0910-45-40	.BOLT,BEARING CASE	2			
15	YF1-A0912-34-82	.METAL,CRANKSHAFT (STD)	1			
	YF1-A0912-39-30	.METAL,CRANKSHAFT (0.2MM U/S)	1			AP
	YF1-A0912-39-40	.METAL,CRANKSHAFT (0.4MM U/S)	1			AP
16	YF1-A0910-70-65	ASSY BRG.CASE,MAIN	1			
17	YF1-A0910-45-40	.BOLT,BEARING CASE	2			
18	YF1-A0912-34-80	.METAL,CRANKSHAFT (STD)	1			
	YF1-A0912-39-30	.METAL,CRANKSHAFT (0.2MM U/S)	1			AP
	YF1-A0912-39-40	.METAL,CRANKSHAFT (0.4MM U/S)	1			AP
19	YF1-56010-45-60	BOLT,BEARING CASE	3			

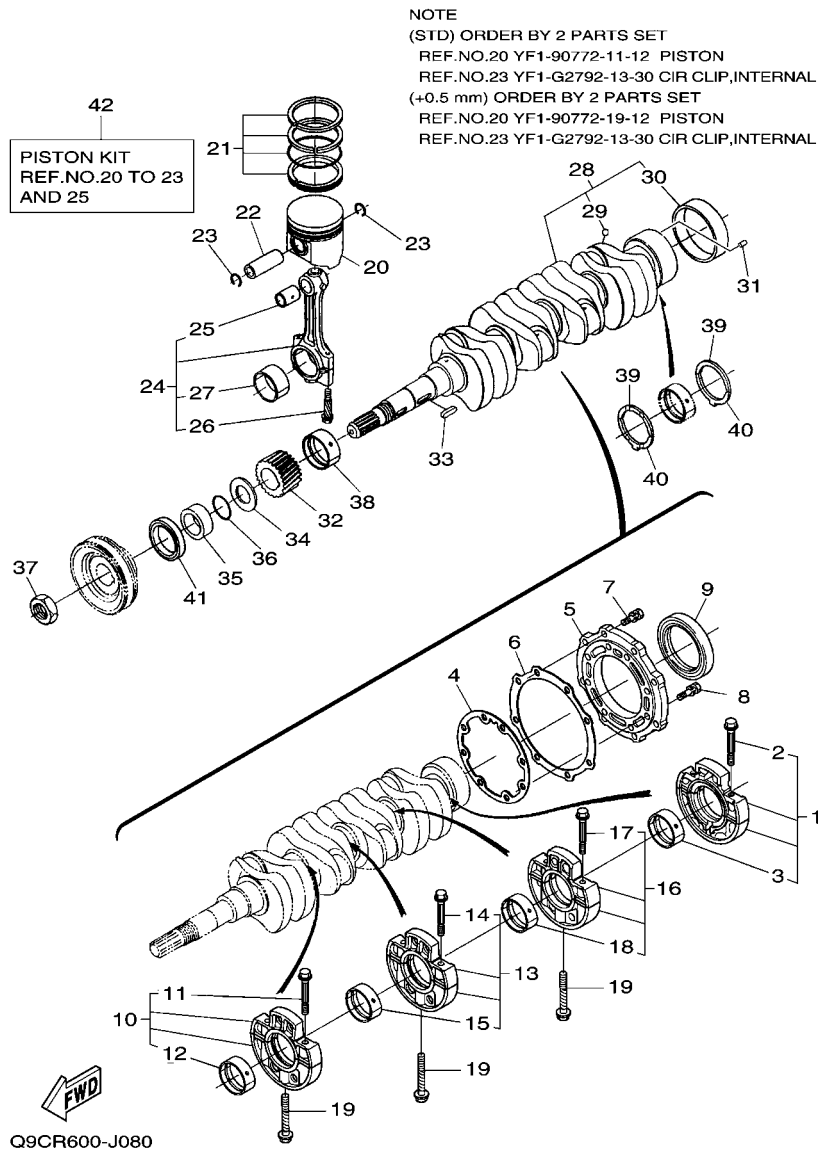


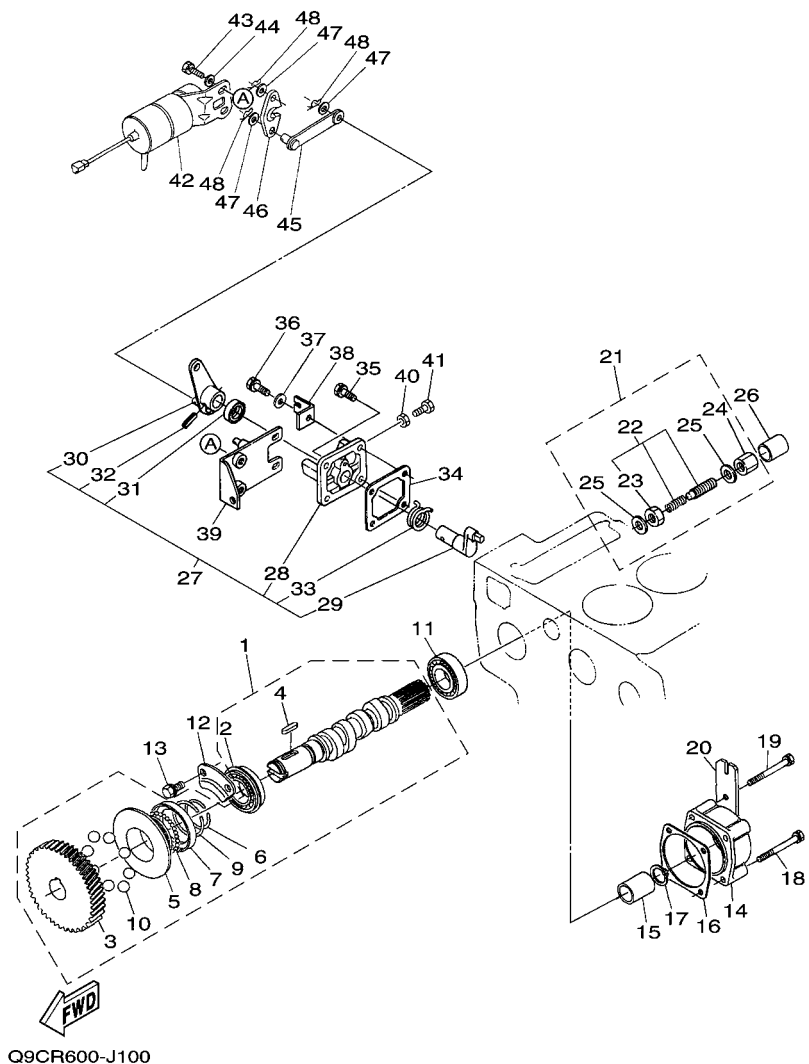
FIG. 8 CRANKSHAFT & PISTON

REF. NO.	PART NO.	DESCRIPTION	Q9CR			REMARKS
20	YF1-90772-11-12	PISTON (STD)	4			
	YF1-90772-19-12	PISTON (0.5MM O/S)	4			AP
21	YF1-73312-10-50	ASSY PISTON RING (STD)	4			
	YF1-73312-10-90	ASSY PISTON RING (0.5MM O/S)	4			AP
22	YF1-49012-13-10	PIN,PISTON	4			
23	YF1-G2792-13-30	CIR CLIP,INTERNAL	8			
24	YF1-73112-20-12	ASSY CONNECTING ROD	4			
25	YF1-73312-19-80	.BUSH,PISTON PIN	1			
26	YF1-55212-21-42	.BOLT,CONNECTING ROD	2			
27	YF1-73112-23-12	.METAL,CRANKPIN (STD)	1			
	YF1-73112-29-70	.METAL,CRANKPIN (0.2MM U/S)	1			AP
	YF1-73112-29-80	.METAL,CRANKPIN (0.4MM U/S)	1			AP
28	YF1-66412-30-20	COMP.CRANKSHAFT	1			
29	YF0-77150-04-01	.BALL	4			
30	YF1-92022-32-80	.BUSH,CRANKSHAFT	1			
31	YF1-A0212-31-92	PIN,STRAIGHT	1			
32	YF1-54712-41-10	GEAR,CRANK	1			
33	YF0-57120-07-20	KEY	1			
34	YF1-54712-33-12	SLINGER,OIL	1			
35	YF1-92022-32-50	COLLAR,CRANKSHAFT	1			
36	YF0-48111-03	O RING	1			
37	YF1-52212-33-60	NUT,CRANKSHAFT	1			
38	YF1-A0912-34-70	METAL,CRANKSHAFT (STD)	1			
	YF1-A0912-39-10	METAL,CRANKSHAFT (0.2MM U/S)	1			AP
	YF1-A0912-39-20	METAL,CRANKSHAFT (0.4MM U/S)	1			AP
39	YF1-A0912-35-30	METAL,SIDE (STD)	2			
	YF1-A0912-39-50	METAL,SIDE (0.2MM O/S)	2			AP





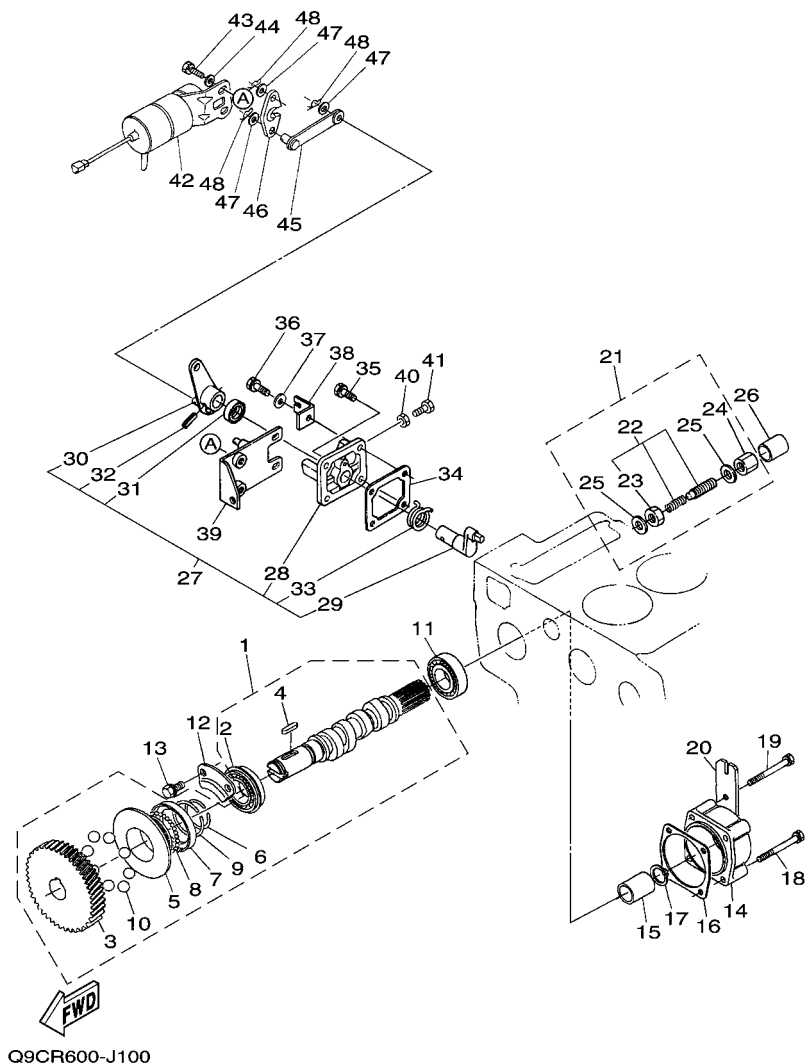




Q9CR600-J100

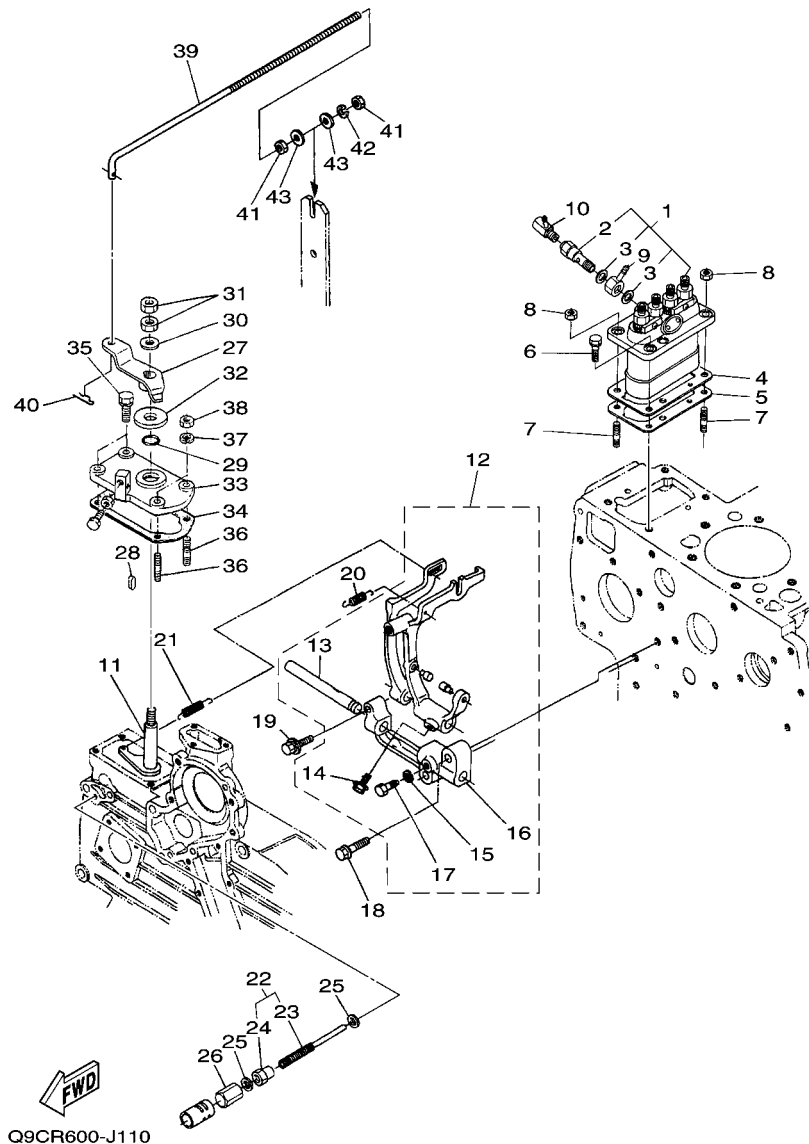
FIG. 10 INJECTION PUMP 1

REF. NO.	PART NO.	DESCRIPTION	Q9CR				REMARKS
1	YF1-90771-60-25	ASSY CAMSHAFT,FUEL	1				
2	YF0-81530-62-05	.BEARING,BALL	1				
3	YF1-64155-11-50	.GEAR,INJECTION PUMP	1				
4	YF0-57120-05-25	.KEY,FEATHER	1				
5	YF1-G8965-54-51	.SLEEVE,GOVERNOR	1				
6	YF1-52215-54-70	.CIR-CLIP,GOV. SLEEVE	1				
7	YF1-56115-56-90	.CASE,GOVERNOR BALL	1				
8	YF0-77150-32-05	.BALL	39				
9	YF1-52215-57-40	.CIR-CLIP	1				
10	YF0-77150-04-03	.BALL	7				
11	YF1-G7789-73	BEARING,BALL	1				
12	YF1-52211-63-22	STOPPER,FUEL.C/SHAFT	1				
13	YF0-11236-08-14	BOLT	2				
14	YF1-52251-62-14	COVER,FUEL CAMSHAFT	1				
15	YF1-92221-61-90	COLLAR	1				
16	YF1-G4921-62-20	GASKET	1				
17	YF1-54719-53-60	CIR CLIP,EXTERNAL	1				
18	YF0-11235-08-65	BOLT	2				
19	YF0-11235-08-70	BOLT	2				
20	YFG-36005-75-80	PLATE,SPEED LOCK	1				
21	YF1-98185-40-90	APPARATUS,IDLING	1				
22	YF1-98185-41-03	.ASSY BOLT,ADJUSTMENT	1				
23	YF1-54019-20-10	.NUT	1				
24	YF1-55219-23-30	.NUT	1				
25	YF1-50213-36-60	.PACKING	2				
26	YF1-55215-42-70	CAP	1				
27	YF1-74825-77-06	ASSY LEVER,ENG.STOP	1				



**FIG. 10 INJECTION PUMP 1**

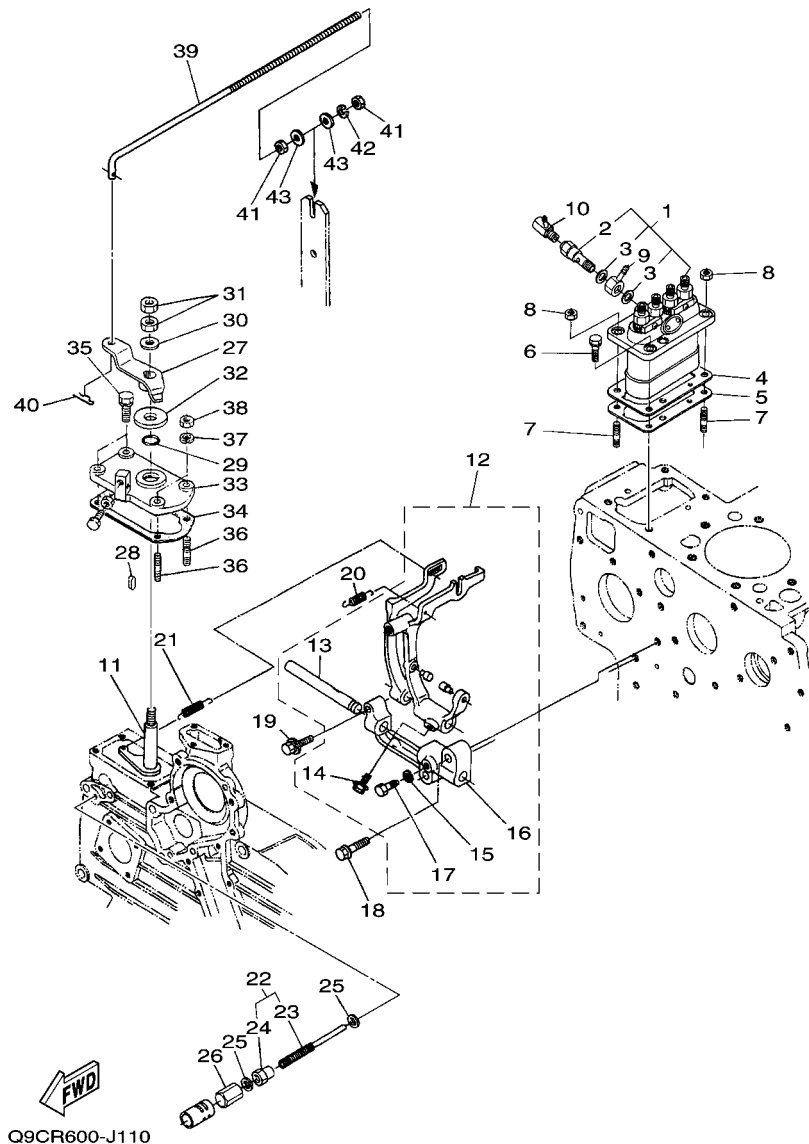
REF. NO.	PART NO.	DESCRIPTION	Q9CR				REMARKS
28	YF1-71835-16-50	.COVER,INJECTION PUMP	1				
29	YF1-73315-77-40	.SHAFT,LEVER	1				
30	YF1-74825-77-20	.LEVER,ENGINE STOP	1				
31	YF1-54715-79-80	.SEAL,OIL	1				
32	YF0-54110-04-20	.PIN,SPRING	1				
33	YF1-74825-79-20	.SPRING,RETURN	1				
34	YF1-A0215-16-60	GASKET, PUMP COVER	1				
35	YF0-10235-06-18	BOLT	1				
36	YF0-10235-06-22	BOLT	3				
37	YF0-40125-00-60	WASHER,PLATE	3				
38	YF3-40704-42-20	HOLDER,WIRE	1				
39	YF1-64276-01-13	SUPPORT,SOLENOID	1				
40	YF0-20565-00-60	NUT	1				
41	YF1-51085-72-80	STOPPER	1				
42	YF1-54716-00-10	SOLENOID,STOP	1				
43	YF0-11236-08-16	BOLT	2				
44	YF0-40125-00-80	WASHER,PLATE	2				
45	YF1-73316-01-50	LEVER,STOP	1				
46	YF1-54716-01-62	LEVER, STOP 2	1				
47	YF0-40125-00-60	WASHER,PLATE	3				
48	YF0-55256-06	PIN,SNAP	3				



Q9CR600-J110

FIG. 11 INJECTION PUMP 2

REF. NO.	PART NO.	DESCRIPTION	Q9CR			REMARKS
1	YF1-71595-10-12	ASSY PUMP,INJECTION	1			
2	YF1-G8965-13-20	.SCREW,HOLLOW	1			
3	YF1-G8969-66-50	.GASKET	2			
4	YF1-G8965-22	SHIM,INJECTION PUMP (T=0.175MM)	1			
	YF1-90775-21-13	SHIM,INJECTION PUMP (T=0.25MM)	1			AP
5	YF1-90775-21-23	SHIM,INJECTION PUMP (T=0.30MM)	1			
6	YF0-17545-08-20	BOLT	4			
7	YF1-52219-15-30	STUD	2			
8	YF0-27515-00-80	NUT, FLANGE (EDK8000TE)	2			
9	YF1-41114-24-10	JOINT, EYE	1			
10	YF1-57486-05-70	ASSY ORIFICE	1			
11	YF1-56015-60-20	COMP.LEVER,GOVERNOR	1			
12	YF1-90775-60-50	ASSY LEVER,FORK	1			
13	YF1-G9115-61-50	.SHAFT,FORK LEVER	1			
14	YF0-17545-06-18	.BOLT,FLANGE	1			
15	YF0-45126-00-60	.WASHER,SPRING	1			
16	YF1-52215-62-30	.HOLDER,FORK LEVER	1			
17	YF1-52216-64-10	.BOLT	1			
18	YF0-17545-08-30	BOLT	2			
19	YF0-10255-06-30	BOLT	1			
20	YF1-56015-64-80	SPRING,START	1			
21	YF1-54035-64-10	SPRING,GOVERNOR	1			
22	YF1-A0215-43-50	ASSY BOLT,ADJUSTMENT	1			
23	YF1-A0215-41-20	.BOLT,ADJUSTING	1			
24	YF1-56019-20-12	.NUT	1			
25	YF1-56019-66-50	PACKING	2			
26	YF1-58411-46-20	NUT,CROWN	1			



**FIG. 11 INJECTION PUMP 2**

REF. NO.	PART NO.	DESCRIPTION	Q9CR				REMARKS
27	YF1-54695-71-50	LEVER,SPEED CONTROL	1				
28	YF0-57120-04-08	KEY	1				
29	YF0-48170-01-20	O RING	1				
30	YF0-40136-00-80	WASHER,PLATE	1				
31	YF0-21125-00-80	NUT	2				
32	YF1-55215-72-40	COLLAR	1				
33	YF1-55215-71-15	PLATE,SPEED CONTROL	1				
34	YF1-E1475-72-10	GASKET,PLATE	1				
35	YF0-10235-06-20	BOLT	2				
36	YF1-52218-82-10	STUD	2				
37	YF0-45126-00-60	WASHER,SPRING	2				
38	YF0-20565-00-60	NUT	2				
39	YFG-37005-72-70	ROD,SPEED/LOCK	1				
40	YFG-37009-48-10	PIN,SNAP	1				
41	YF0-20145-00-60	NUT	2				
42	YF0-45126-00-60	WASHER,SPRING	1				
43	YF0-40125-00-60	WASHER,PLATE	2				

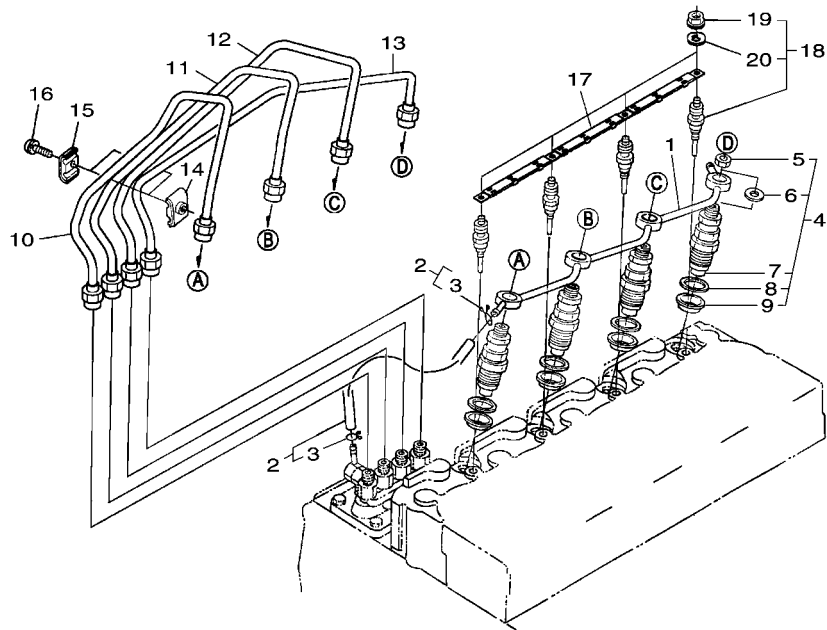


FIG. 12 FUEL INJECTION NOZZLE

REF. NO.	PART NO.	DESCRIPTION	Q9CR				REMARKS
1	YF1-64544-25-02	ASSY PIPE,OVER FLOW	1				
2	YF1-G8964-25	ASSY PIPE,OVER FLOW	1				
3	YF1-52714-27-10	.CLIP,PIPE	2				
4	YF1-64545-39	KIT HOLDER,NOZZLE	1				
5	YF1-58419-20-30	.NUT	4				
6	YF1-58419-40-40	.WASHER	4				
7	YF1-64545-36-10	.PIECE,NOZZLE	4				
8	YF1-58415-36-22	.PACKING	4				
9	YF1-90775-36-50	.SEAL,HEAT	4				
10	YF1-90775-37-14	PIPE,INJECTION	1				
11	YF1-90775-37-23	PIPE,INJECTION	1				
12	YF1-90775-37-33	PIPE,INJECTION	1				
13	YF1-90775-37-43	PIPE,INJECTION	1				
14	YF1-58415-38-50	CLAMP,PIPE 1	3				
15	YF1-58415-38-60	CLAMP,PIPE 2	3				
16	YF0-30245-05-20	SCREW,WITH WASHER	3				
17	YF1-G7786-55-60	CORD,GLOW PLUG	1				
18	YF1-90776-55-12	GLOW PLUG	4				
19	YF0-27615-00-40	.NUT,FLANGE	4				
20	YF0-40136-00-40	.WASHER,PLATE	4				

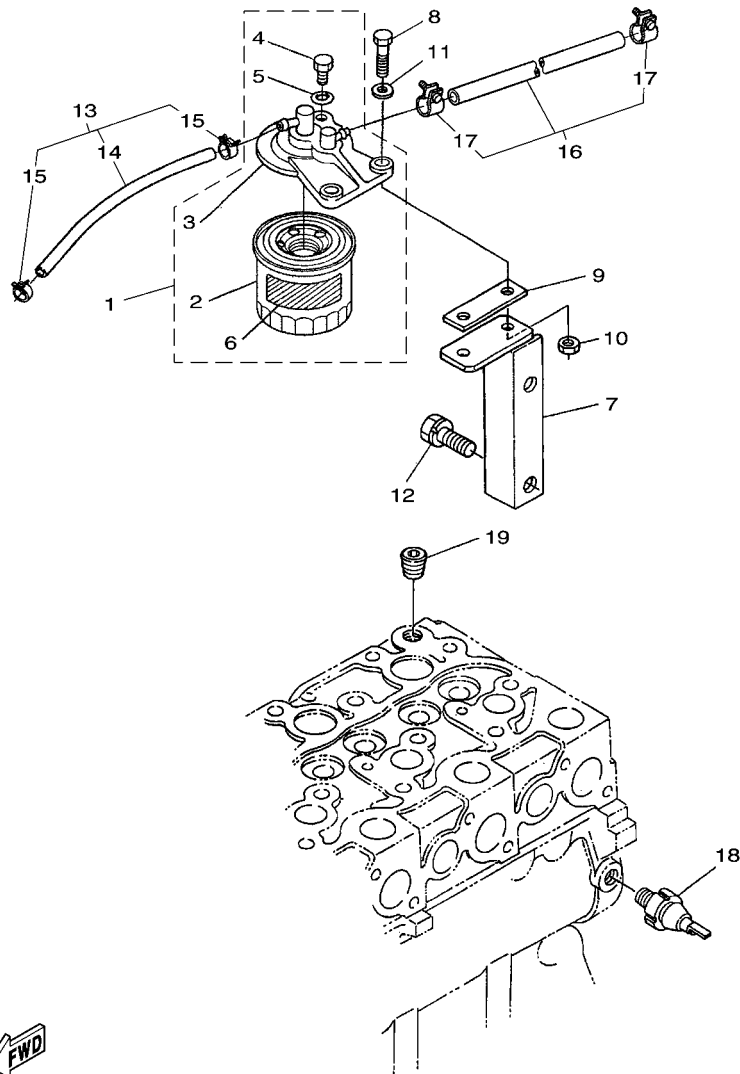
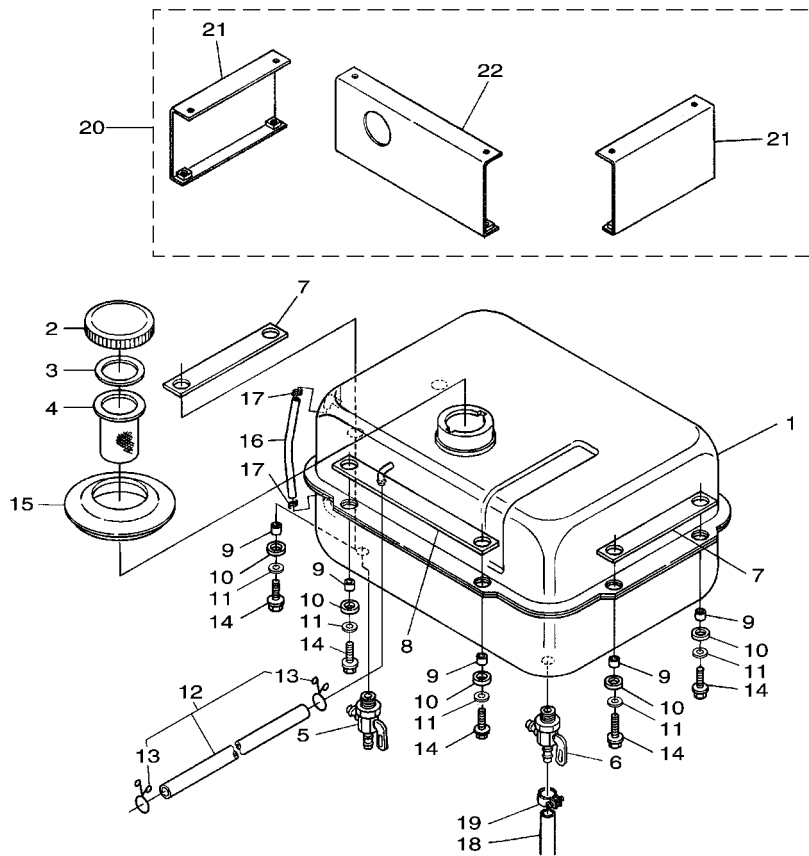


FIG. 13 FUEL FILTER

REF. NO.	PART NO.	DESCRIPTION	Q9CR				REMARKS
1	YF1-51934-30-10	ASSY FILTER,FUEL	1				
2	YF1-52214-31-70	.FILTER ELEMENT	1				
3	YF1-52244-32	.FILTER COVER ASSY.	1				
4	YF1-92224-32-80	.PLUG,FILTERE AIR DRAIN	1				
5	YF1-51084-32-90	.O-RING	1				
6	YF1-51938-74-60	.LABEL,FILTER	1				
7	YF1-51924-34-30	BRACKET,FUEL FILTER	1				
8	YF0-11235-08-35	BOLT (7LR1)	2				
9	YF1-54034-34-50	CUSHION	1				
10	YF0-21145-00-80	NUT	2				
11	YF0-40125-00-80	WASHER,PLATE	2				
12	YF0-11335-12-25	BOLT	2				
13	YF1-59774-10-20	ASSY PIPE,FUEL	1				
14	YF1-46114-21-20	.PIPE,FUEL	1				
15	YF1-49114-27-50	.PIPE CLIP	2				
16	YF1-53834-20-20	ASSY PIPE,FUEL	1				
17	YF1-43014-27-50	.YF1-43014-27-50	2				
18	YF1-71893-90-10	SWITCH,OIL	1				
19	YF1-58419-60-20	PLUG	1				

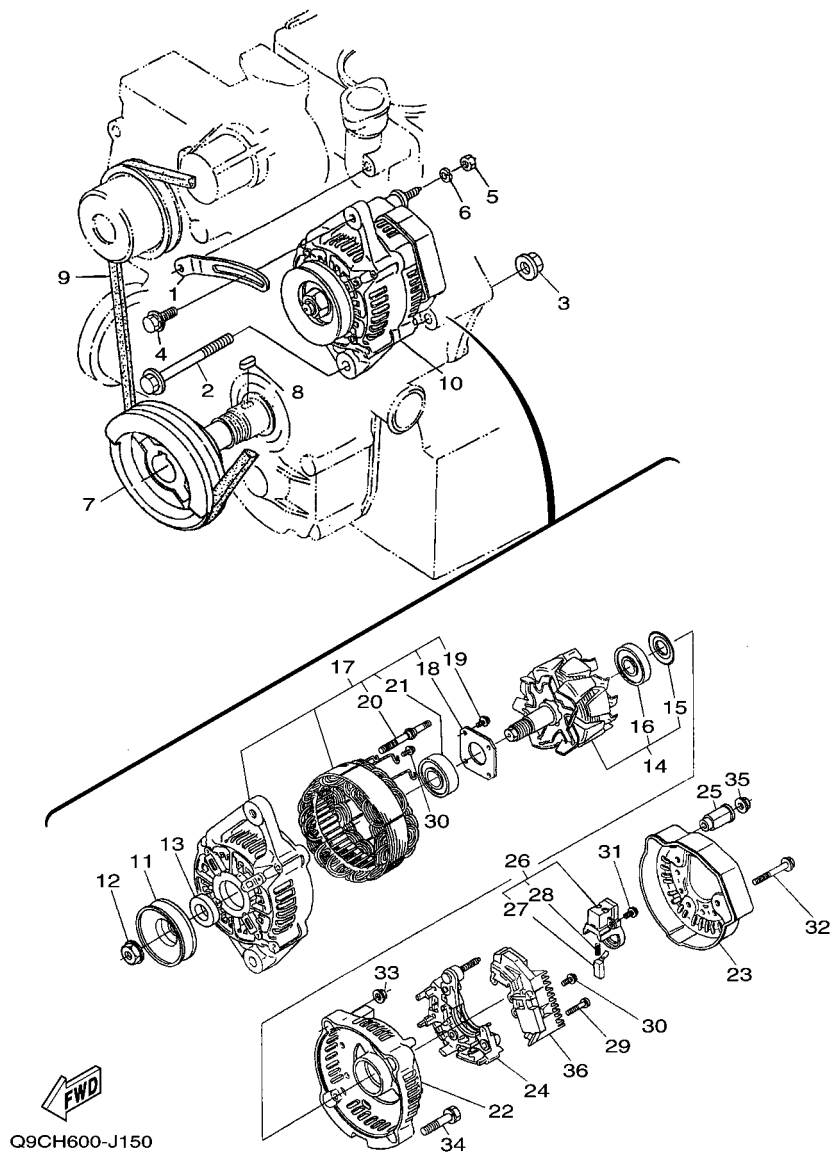
FIG. 14 FUEL TANK



 Q9CH600-J140

REF. NO.	PART NO.	DESCRIPTION	Q9CR				REMARKS
1	YFG-36004-10-10	COMP.TANK,FUEL	1				
2	YF1-11514-12-60	CAP,FUEL TANK	1				
3	YF1-46814-13-40	GASKET	1				
4	YF1-42614-13-52	FILTER	1				
5	YF1-51934-13-80	COCK,FUEL	1				
6	YF1-50003-43-90	COCK, DRAIN (EDL6500)	1				
7	YF3-73003-51-60	CUSHION	2				
8	YF3-84303-51-60	CUSHION	1				
9	YF3-73003-51-20	CUSHION	6				
10	YF3-73003-51-40	SPACER	6				
11	YF0-40155-00-80	WASHER	6				
12	YF1-59574-20-50	ASSY PIPE,OVER FLOW	1				
13	YF1-49714-27-50	.PIPE CLIP	2				
14	YF0-11255-08-30	BOLT	6				
15	YF1-89013-02-70	FUEL TANK CAP SEAL	1				
16	YFG-36004-17-10	GAUGE,FUEL	1				
17	YF1-43014-23-60	CLIP	2				
18	YFG-37004-24-50	TUBE,FUEL DRAIN	1				
19	YFG-37007-31-40	CLAMP,TUBE	1				
20	YFG-37004-11-30	ASSY SUPPORT,TANK	1				
21	YFG-37004-11-40	.SUPPORT,TANK	2				
22	YFG-37004-12	.SUPPORT,TANK	1				

FIG. 15 GENERATOR 1

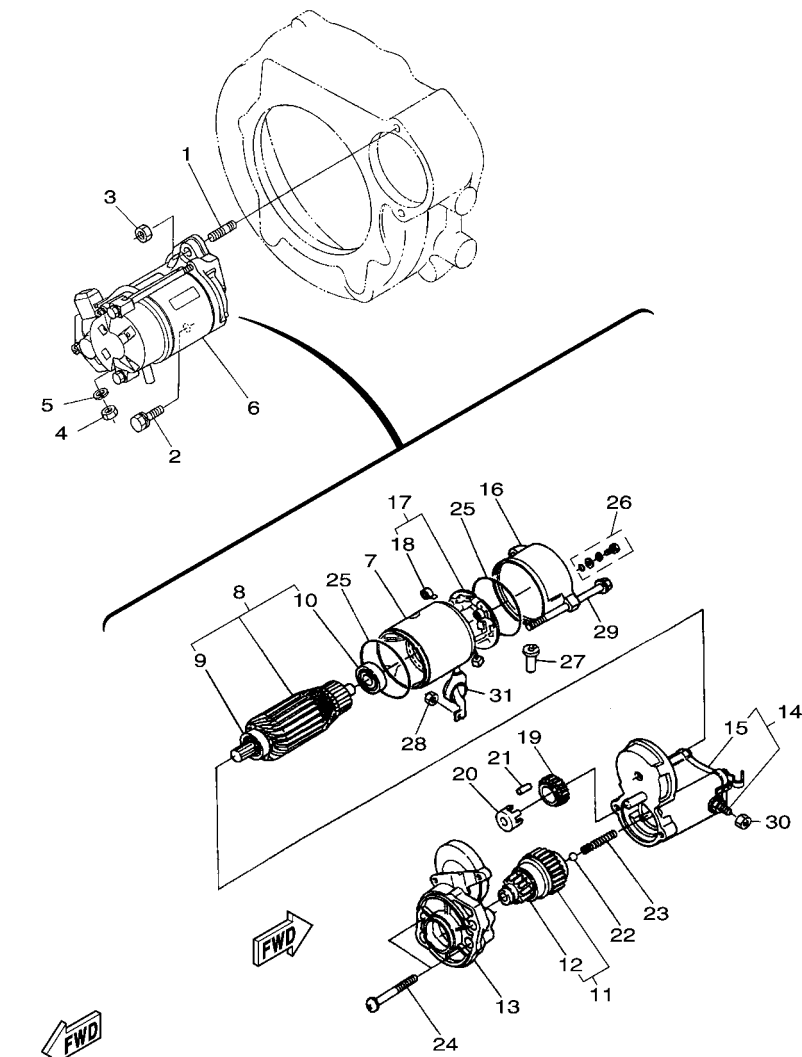


Q9CH600-J150

REF. NO.	PART NO.	DESCRIPTION	Q9CR				REMARKS
1	YF1-64276-44-20	STAY,DYNAMO	1				
2	YF0-17745-10	BOLT,FLANGE	1				
3	YF0-27715-01	NUT	2				
4	YF0-11275-08-30	BOLT	1				
5	YF0-20565-00-60	NUT	1				
6	YF0-45126-00-60	WASHER,SPRING	1				
7	YF1-92027-42-80	PULLEY,FAN DRIVE	1				
8	YF0-57120-07-20	KEY	1				
9	YF1-51939-70-11	V-BELT,AL (43IN)	1				
10	YF1-64276-40-12	ASSY ALTERNATOR (12V 30A)	1				
11	YF1-64276-41-10	.PULLEY,ALTERNATOR	1				
12	YF1-58819-20-10	.NUT	1				
13	YF1-58816-41-50	.COLLAR	1				
14	YF6-64366-40-40	.ROTOR	1				
15	YF1-58816-48	..BEARING COVER	1				
16	YF1-66526-47-70	..BALL BEARING	1				
17	YF1-64276-40-20	.FRAME,DRIVE END	1				
18	YF1-58816-47-10	..RETAINER PLATE	1				
19	YF1-58819-30-10	..SCREW,ROUND HEAD	4				
20	YF1-58816-42-60	..THROUGH BOLT	2				
21	YF1-66526-47-80	..BALL BEARING	1				
22	YF1-62416-40-60	.FRAME,END	1				
23	YF1-62316-42-30	.COVER,END	1				
24	YF1-62316-48-50	.ASSY RECTIFIER	1				
25	YF1-62416-49	.BUSH,INSULATION	1				
26	YF1-66526-43-10	.BRUSH HOLDER	1				
27	YF1-58816-40-90	..BRUSH	2				





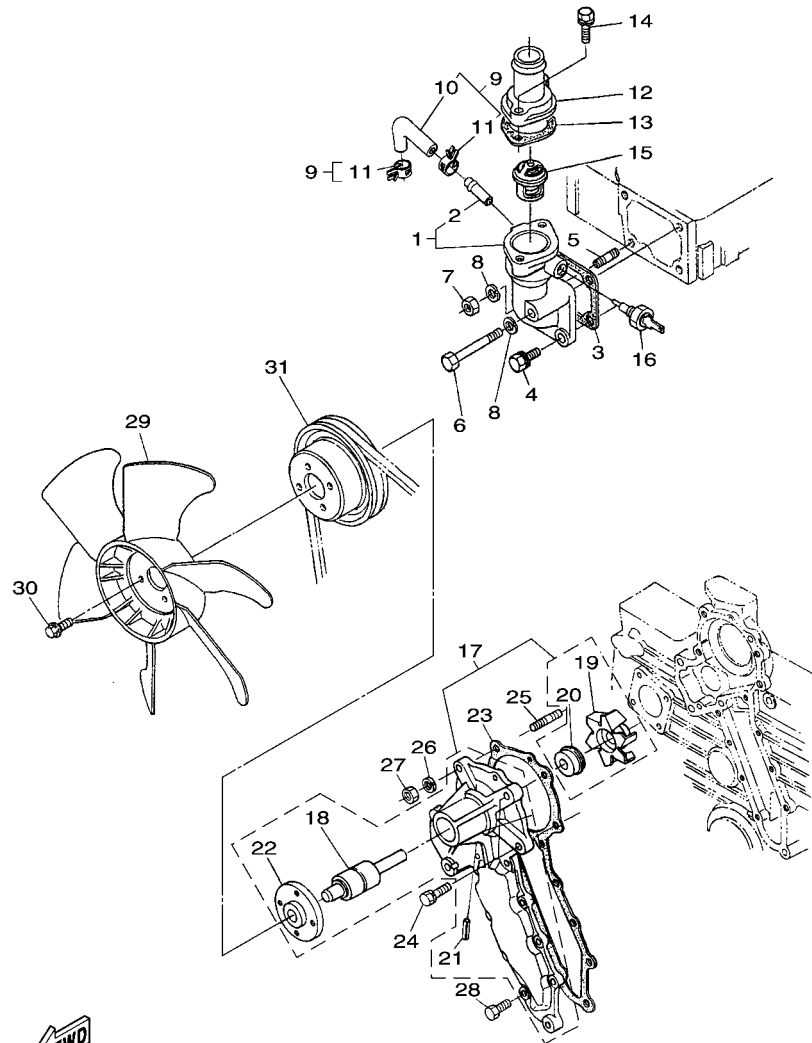


Q9CR600-J160

FIG. 16 STARTING MOTOR

REF. NO.	PART NO.	DESCRIPTION	Q9CR				REMARKS
1	YF0-15175-10-28	STUD	1				
2	YF0-11335-10-30	BOLT	1				
3	YF0-27715-01	NUT	1				
4	YF0-21145-00-80	NUT	1				
5	YF0-45126-00-80	WASHER,SPRING	1				
6	YF1-54616-30-10	ASSY STARTER	1				
7	YF1-11976-30-80	.ASSY YOKE	1				
8	YF1-11976-30-70	.ASSY ARMATURE	1				
9	YF1-14606-35	..BEARING	1				
10	YF1-14606-35-30	..BEARING	1				
11	YF1-73416-30-40	.CLUTCH,OVER RUNNING	1				
12	YF1-73816-32-80	..PINION,BEVEL	1				
13	YF1-73416-30-30	.FRAME,DRIVE END	1				
14	YF1-11736-30-20	.ASSY SWITCH,MAGNETIC	1				
15	YF1-62859-80-50	..COVER ASSY,(STARTER MAGNET)	1				
16	YF1-73416-32	.FRAME,END	1				
17	YF1-11976-33-80	.ASSY HOLDER,BRUSH	1				
18	YF1-54016-33-90	..SPRING,BRUSH	4				
19	YF1-14606-32-70	.GEAR(2)	1				
20	YF1-14606-31-10	.RETAINER	1				
21	YF1-92126-31	.ROLLER	5				
22	YF1-92129-71-30	.BALL	1				
23	YF1-14606-31-20	.SPRING	1				
24	YF1-14609-33-10	.BOLT	2				
25	YF1-55119-66-60	.O-RING	2				
26	YF1-55116-37-60	.BOLT ASSY	2				
27	YF1-62856-35-70	.PIPE(DRAIN)	1				





Q9CR600-J170

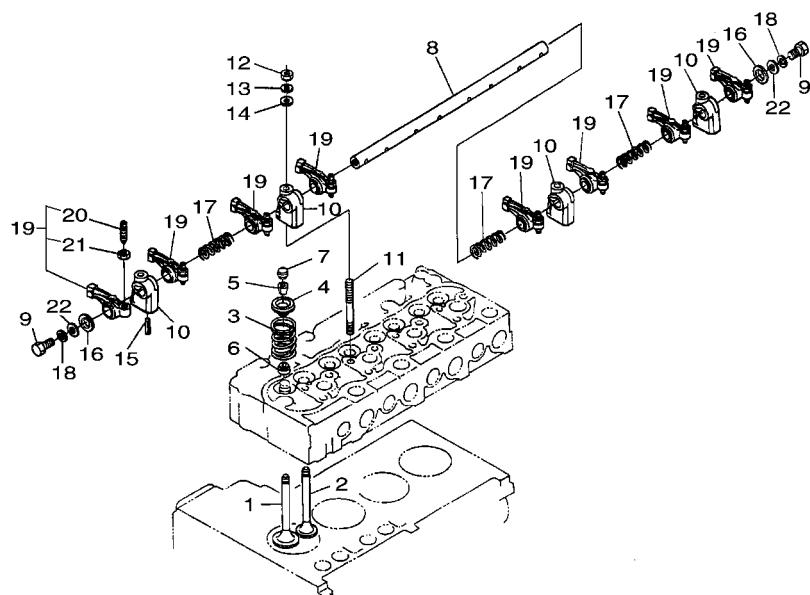
FIG. 17 WATER PUMP

REF. NO.	PART NO.	DESCRIPTION	Q9CR				REMARKS
1	YF1-51927-27-02	COMP.FLANGE,WATER	1				
2	YF1-73317-33-42	.PIPE,WATER RETURN	1				
3	YF1-A0217-29-20	GASKET,WATER FLANGE	1				
4	YF0-11235-08-20	BOLT	2				
5	YF1-52219-15-30	STUD	1				
6	YF0-11535-08-70	BOLT	1				
7	YF0-21565-00-80	NUT	1				
8	YF0-45126-00-80	WASHER,SPRING	2				
9	YF1-G3697-33	ASSY PIPE	1				
10	YF1-G3697-33-40	.PIPE,WATER RETURN	1				
11	YF1-51097-33-60	.BAND,PIPE	2				
12	YF1-53217-32-60	COVER,THERMOSTAT	1				
13	YF1-62217-32-70	GASKET(THERMOSTAT,NA)	1				
14	YF0-11235-08-35	BOLT (7LR1)	2				
15	YF1-94347-30-14	THERMOSTAT ASSY.	1				
16	YF1-55438-30-40	SWITCH, THERMO	1				
17	YF1-55217-30-35	ASSY PUMP,WATER	1				
18	YF1-55217-35-50	.BEARING	1				
19	YF1-A0217-35-10	.IMPELLER,WATER PUMP	1				
20	YF1-66617-30-50	.ASSY SEAL,MECHANICAL	1				
21	YF1-E0173-36-50	.PIN,SPRING	1				
22	YF1-A0217-35-20	.FLANGE,WATER PUMP	1				
23	YF1-57667-34-30	GASKET,WATER PUMP	1				
24	YF0-11235-08-28	BOLT	2				
25	YF0-15185-08-22	STUD	2				
26	YF0-45126-00-80	WASHER,SPRING	2				
27	YF0-21565-00-80	NUT	2				





**FIG. 19 CAMSHAFT & VALVE**



NOTE:ORDER BY 5 PARTS SET  
 REF.NO.8 YF1-A0911-42-60 SHAFT,ROCKER ARM  
 REF.NO.9 YF0-11535-08-12 BOLT  
 REF.NO.16 YF1-52211-44-30 WASHER,R-ARM.SHAFT  
 REF.NO.18 YF0-45126-00-80 WASHER,SPRING  
 REF.NO.22 YF0-40136-00-80 WASHER,PLAIN

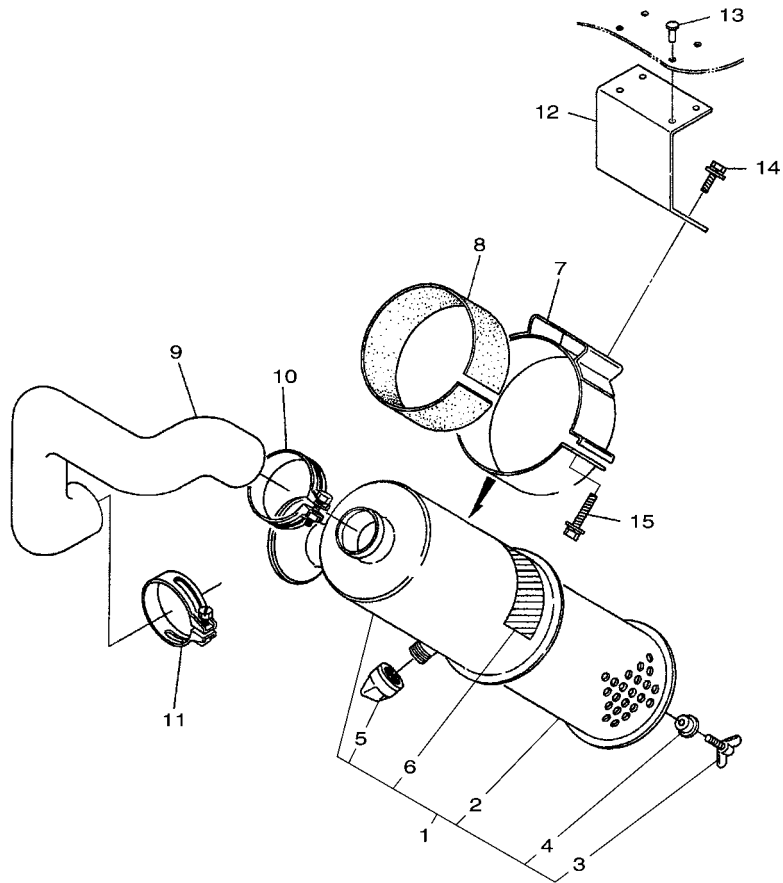
  
 Q9CR600-J190

REF. NO.	PART NO.	DESCRIPTION	Q9CR				REMARKS
1	YF1-G8961-31-10	VALVE,INLET	4				
2	YF1-G8961-31-20	VALVE,EXHAUST	4				
3	YF1-52211-32-40	SPRING,VALVE	8				
4	YF1-52211-33-30	RETAINER,VALVE SP.	8				
5	YF1-52211-39-80	COLLET,VALVE SPRING	8				
6	YF1-52211-31-53	SEAL,VALVE STEM	8				
7	YF1-52211-32-80	CAP, VALVE	8				
8	YF1-A0911-42-60	SHAFT,ROCKER ARM	1				
9	YF0-11535-08-12	BOLT	2				
10	YF1-52211-43-50	BRACKET,ROCKER ARM	4				
11	YF1-55219-15	STUD	4				
12	YF0-21565-00-80	NUT	4				
13	YF0-45126-00-80	WASHER,SPRING	4				
14	YF0-40125-00-80	WASHER,PLATE	4				
15	YF0-54110-05-28	PIN,SPRING	1				
16	YF1-52211-44-30	WASHER,R-ARM.SHAFT	2				
17	YF1-52211-43-10	SPRING,ROCKER ARM	3				
18	YF0-45126-00-80	WASHER,SPRING	2				
19	YF1-56211-40-30	ASSY ROCKER ARM	8				
20	YF1-55211-42-30	.SCREW,ADJUSTING	1				
21	YF1-50211-42-40	.NUT	1				
22	YF0-40136-00-80	WASHER,PLATE	2				





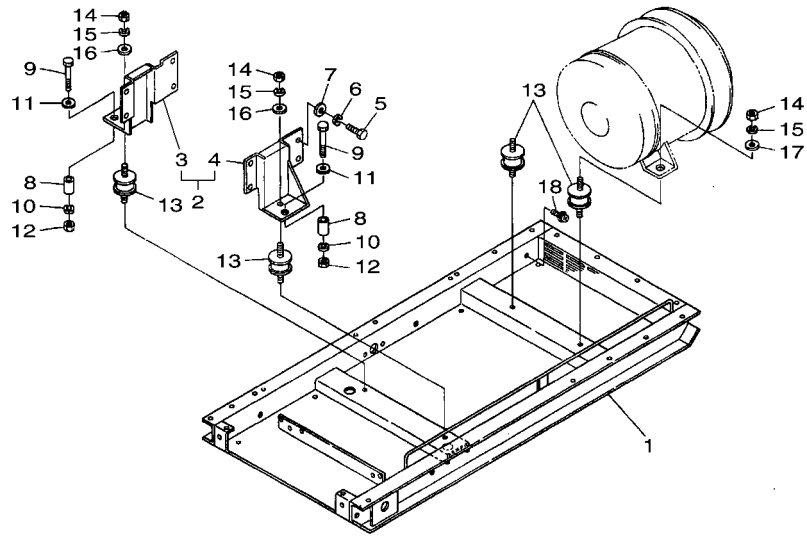




  
 Q9CH600-J220

**FIG. 22 AIR CLEANER**

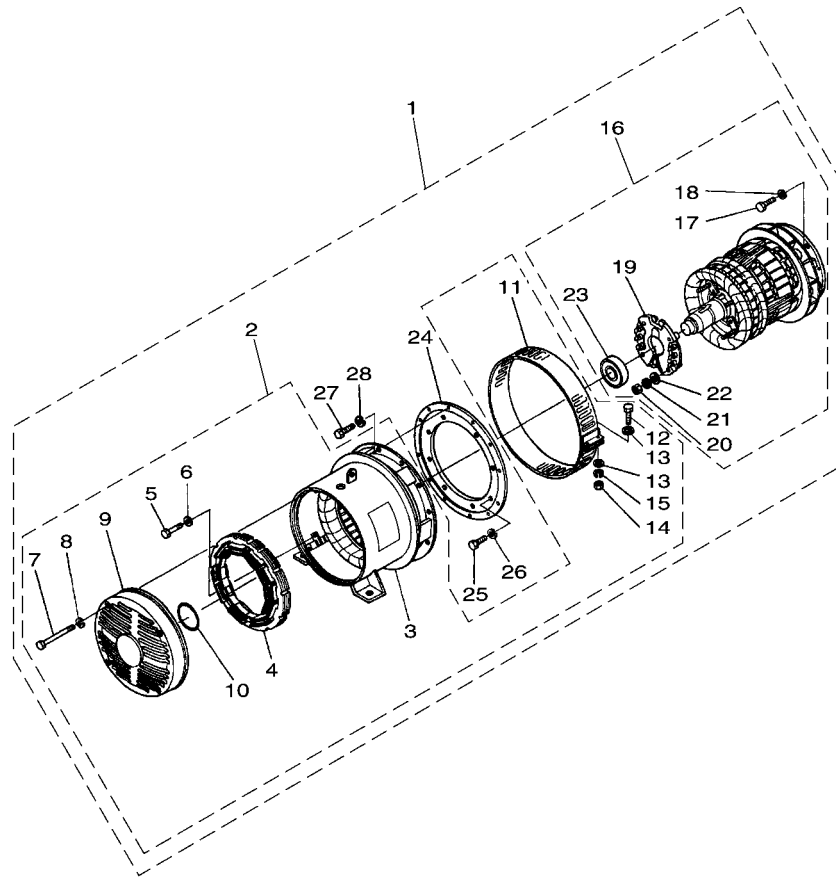
REF. NO.	PART NO.	DESCRIPTION	Q9CR				REMARKS
1	YF1-62861-10-13	ASSY CLEANER,AIR	1				
2	YF1-57411-10-83	.ASSY ELEMENT,A/C	1				
3	YF1-57419-26-20	.BOLT,WING	1				
4	YF1-57419-44-30	.ASSY GASKET	1				
5	YF1-57411-14-70	.VALVE	1				
6	YF1-62718-74-50	.LABEL,A/C ELEMENT	1				
7	YF3-42601-39-60	BAND,AIR CLEANER	1				
8	YF3-42601-39-70	CUSHION,AIR CLEANER	1				
9	YFG-36001-16-20	HOSE,INLET	1				
10	YF1-54011-17-20	BAND, PIPE	1				
11	YF3-13511-81-10	BAND,PIPE	1				
12	YF3-34005-10	SUPPORT,AIR CLEANER	1				
13	YFG-37009-48-70	RIVET	4				
14	YFG-37009-11-50	BOLT	4				
15	YFG-37009-11-60	BOLT	2				
-----							
-----							
-----							
-----							
-----							
-----							
-----							
-----							
-----							



Q9CH600-J230

FIG. 23 FRAME 1

REF. NO.	PART NO.	DESCRIPTION	Q9CR				REMARKS
1	YFG-37103-05-52	BASE,COMMON	1				
2	YFG-37003-06-92	ASSY BRACKET,ENGINE	1				
3	YFG-37003-06-73	.BRACKET,L-ENGINE	1				
4	YFG-37003-06-83	.BRACKET,R-ENGINE	1				
5	YF0-10735-12-25	BOLT	8				
6	YF0-45126-01-20	WASHER,SPRING	8				
7	YF0-40136-01-20	WASHER, PLAIN	8				
8	YFG-37004-14-40	LIMITER PIPE	2				
9	YFG-37009-11-10	BOLT	2				
10	YF0-45126-01-40	WASHER,SPRING	2				
11	YF0-40136-01-40	WASHER, PLATE	2				
12	YF0-20545-01-40	NUT	2				
13	YFG-37000-61-60	CUSHION,RUBBER	4				
14	YF0-20145-01	NUT	4				
15	YF0-45126-01	WASHER SPRING	4				
16	YF0-40136-01	WASHER,PLAIN	2				
17	YFG-37009-40-10	WASHER,PLAIN	2				
18	YFG-37009-33-30	SCREW,WITH WASHER	2				

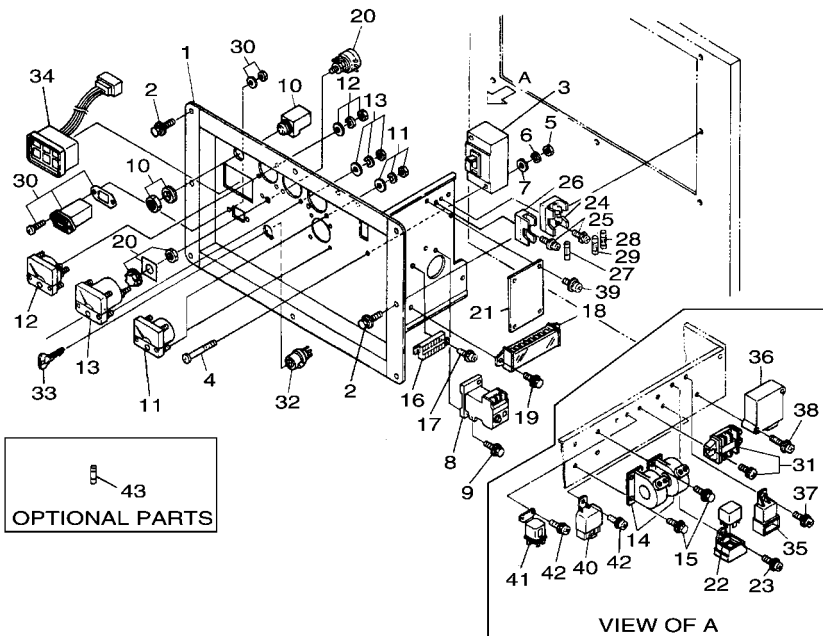


Q9CH600-J240

FIG. 24 GENERATOR 2

REF. NO.	PART NO.	DESCRIPTION	Q9CR				REMARKS
1	YFG-37170-21	ASSY GENERATOR	1				
2	YFG-37170-24	..ASSY STATOR	1				
3	YFG-37170-24-10	..COMP.STATOR	1				
4	YFG-37360-25-90	..ASSY COIL,EXCITER	1				
5	YFG-37039-10	..BOLT	4				
6	YFG-37039-11	..WASHER,SPRING	4				
7	YFG-37039-10-10	..BOLT	4				
8	YFG-37039-11-10	..WASHER,SPRING	4				
9	YFG-37030-26-10	..BRACKET,REAR	1				
10	YFG-37031-05-30	..O RING	1				
11	YFG-37030-24-50	..COVER,FAN	1				
12	YFG-37039-10	..BOLT	2				
13	YFG-37039-12	..WASHER,PLAIN	4				
14	YFG-37039-13	..NUT	2				
15	YFG-37039-11	..WASHER,SPRING	2				
16	YFG-37100-23	..ASSY ROTOR	1				
17	YFG-37039-10-20	..BOLT	6				
18	YFG-37039-11-10	..WASHER,SPRING	6				
19	YFG-37030-26-52	..ASSY DIODE	1				
20	YFG-37039-13-10	..NUT	4				
21	YFG-37039-11	..WASHER,SPRING	4				
22	YFG-37039-12-10	..WASHER,PLAIN	4				
23	YFG-37032-62-90	..BEARING,BALL	1				
24	YFG-37032-55-60	..ADAPTER	1				
25	YFG-37039-10-30	..BOLT	8				
26	YFG-37039-11-20	..WASHER,SPRING	8				
27	YFG-37039-10-40	..BOLT	12				

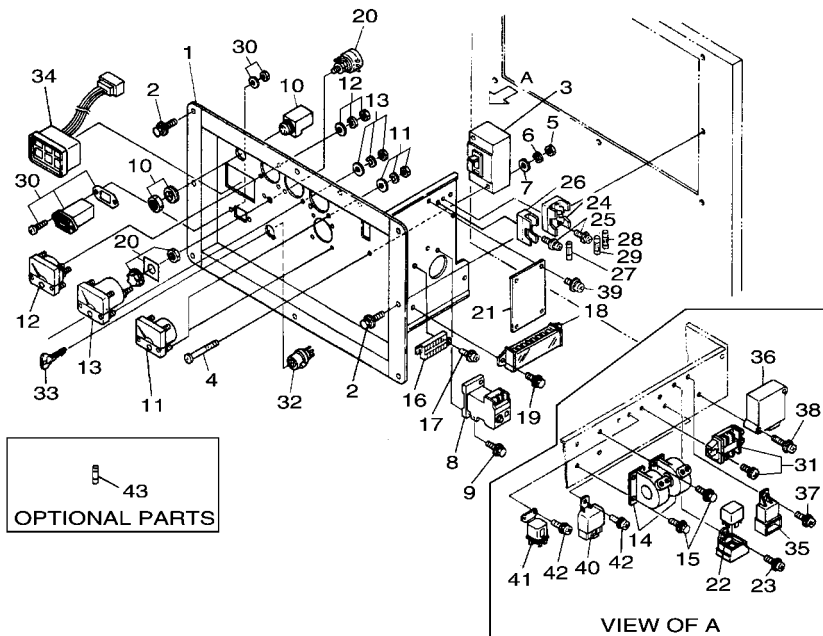




  
Q9CR600-J250

**FIG. 25 ELECTRICAL 1**

REF. NO.	PART NO.	DESCRIPTION	Q9CR				REMARKS
1	YF2-41002-22	CASE,PANEL	1				
2	YFG-37009-11-70	BOLT	8				
3	YFG-37460-35-20	BREAKER (75A)	1				
4	YFG-37009-33-40	SCREW,PAN-HEAD	2				
5	YF0-20545-00-40	NUT	2				
6	YF0-45126-00-40	WASHER,SPRING	2				
7	YF0-40136-00-40	WASHER,PLATE	4				
8	YFG-37160-35-40	RELAY (2.2A)	1				
9	YFG-37169-12-10	BOLT	2				
10	YFG-37000-39	LAMP,PILOT	1				
11	YFG-37100-36-90	METER,AMPERE	2				
12	YFG-37000-35-50	METER,VOLTAGE	1				
13	YFG-37000-36-10	METER,HZ	1				
14	YFG-37000-38-20	TRANSFORMER,CURRENT	2				
15	YFG-37009-12	BOLT	4				
16	YFG-37033-07-50	BASE,TERMINAL	1				
17	YFG-37039-14-10	SCREW,WITH WASHER	2				
18	YFG-37171-07-40	BASE,TERMINAL	1				
19	YFG-37009-11-80	BOLT	2				
20	YFG-38100-38-70	TRIMMER,HAND	1				
21	YFG-37030-28	REGULATOR,VOLTAGE	1				
22	YFG-37006-33-80	RELAY	1				
23	YF0-30345-05-10	SCREW,WITH WASHER	1				
24	YFG-37000-34-90	HOLDER,FUSE	1				
25	YF0-30345-04-10	SCREW,WITH WASHER	3				
26	YFG-37030-35-30	HOLDER,FUSE	1				
27	YFG-37030-35-10	FUSE (2A)	1				



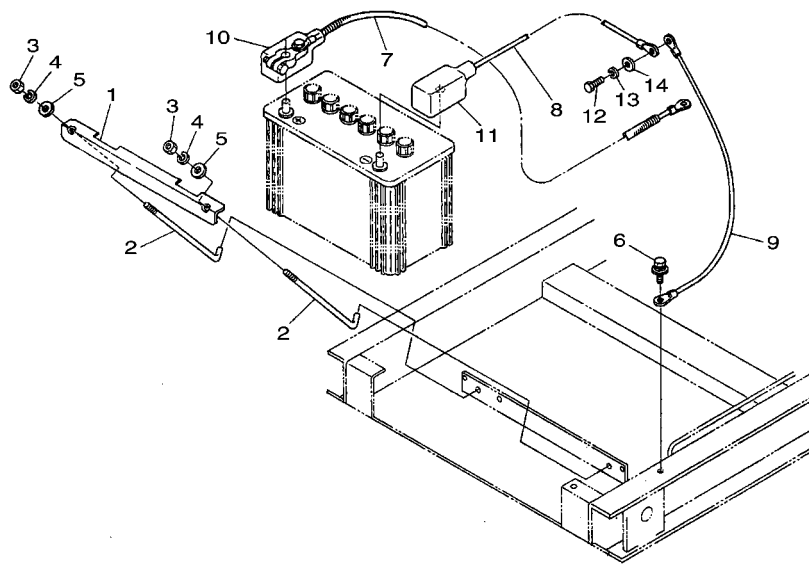
  
Q9CR600-J250

**FIG. 25 ELECTRICAL 1**

REF. NO.	PART NO.	DESCRIPTION	Q9CR				REMARKS
28	YFG-37000-34-80	FUSE (15A)	1				
29	YFG-37000-35	FUSE (10A)	1				
30	YFG-37006-13-50	METER, HOUR	1				
31	YFG-37001-07-50	BASE, TERMINAL	1				
32	YF3-74105-91-10	SWITCH, STARTER	1				
33	YF3-74105-51-50	KEY, STARTER	1				
34	YFG-36007-02	ASSY LAMP, COMBINA/T	1				
35	YF1-56946-59-90	LAMP TIMER	1				
36	YF1-71476-06-02	EMERGENCY UNIT (EG-1)	1				
37	YFG-37009-33-20	SCREW, WITH WASHER	1				
38	YFG-37009-33-10	SCREW, WITH WASHER	2				
39	YF0-30245-05-25	SCREW, WITH-WASHER	4				
40	YF6-64465-52-60	BOX, RELAY	1				
41	YF1-62596-02-50	ASSY RELAY	1				
42	YF0-10255-06-16	BOLT	3				
43	YFG-37030-35-10	FUSE (2A)	1				







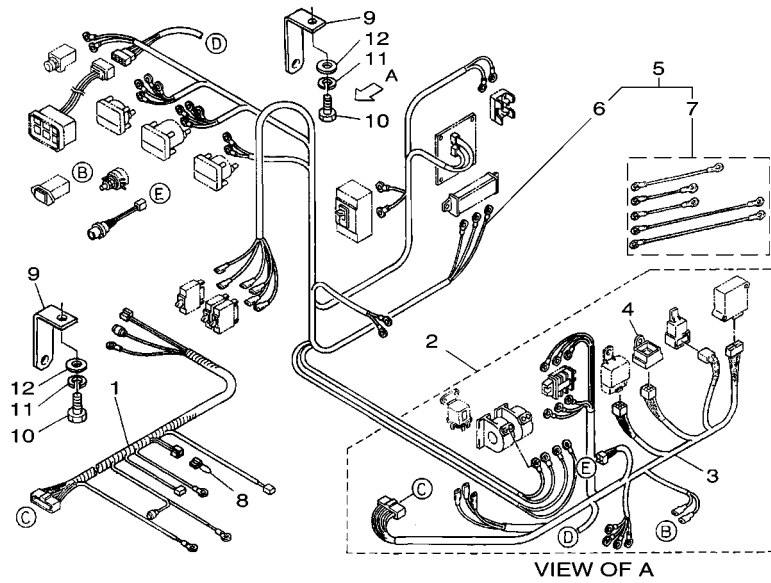
  
 Q9CR600-J270

**FIG. 27 ELECTRICAL 3**

REF. NO.	PART NO.	DESCRIPTION	Q9CR				REMARKS
1	YF4-34007-11	SUPPORT,BATTERY	1				
2	YF4-44002-24-30	BOLT,HOOK(BATTERY)	2				
3	YF1-NM6A7-00	NUT	2				
4	YFW-MS6A7-00	WASHER,SPRING	2				
5	YFM-51663-4C-10	WASHER,PLAIN	2				
6	YFG-37009-33-30	SCREW,WITH WASHER	1				
7	YFG-37104-17-20	CORD,BATTERY(+)	1				
8	YFG-37006-55-60	CORD,BATTERY(-)	1				
9	YFG-37006-79-10	CORD,EARTH	1				
10	YFG-37006-38-70	COVER,BATTERY(RED)	1				
11	YFG-37006-38-80	COVER,BATTERY(BLACK)	1				
12	YF0-10735-10-20	BOLT	1				
13	YF0-45126-01	WASHER SPRING	1				
14	YF0-40136-01	WASHER,PLAIN	1				

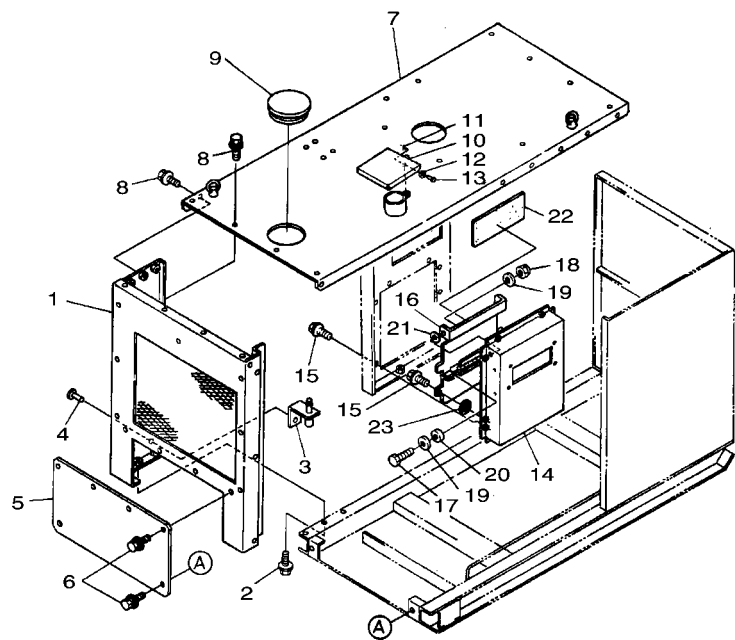
**FIG. 28 ELECTRICAL 4**

REF. NO.	PART NO.	DESCRIPTION	Q9CR				REMARKS
1	YFG-37102-03-50	WIRE HARNESS	1				
2	YFG-37002-03-43	ASSY WIRE HARNESS	1				
3	YFG-37022-03-40	.WIRE HARNESS,PANEL	1				
4	YFG-37026-58-30	.BASE,RELAY	1				
5	YFG-37160-37-90	ASSY WIRE HARNESS	1				
6	YFG-37160-38-02	.WIRE HARNESS,ACG	1				
7	YFG-37360-38-50	.KIT WIRE HARNESS,ACG	1				
8	YF6-71115-51-90	RING, FUSIBLE (EDL6500)	1				
9	YF4-34002-91	BRACKET,WIRE	2				
10	YF0-10735-12-25	BOLT	2				
11	YF0-45126-01-20	WASHER,SPRING	2				
12	YF0-40136-01-20	WASHER, PLAIN	2				



  
 Q9CR600-J280

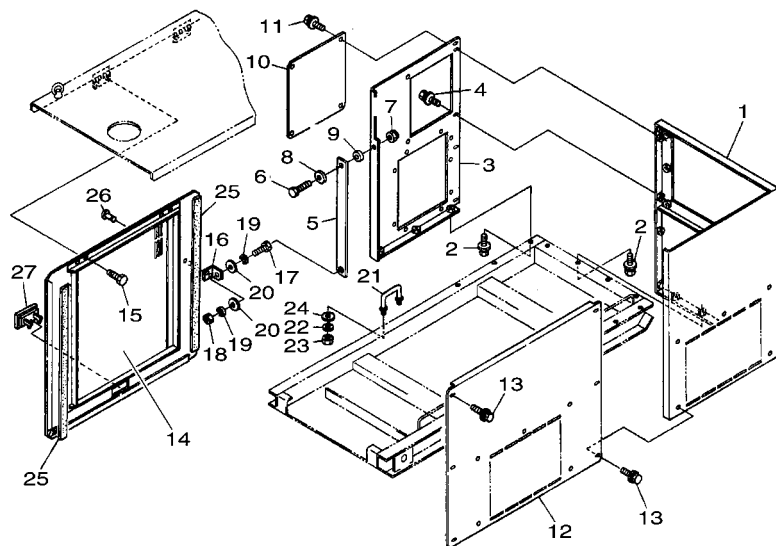
FIG. 29 FRAME 2



REF. NO.	PART NO.	DESCRIPTION	Q9CR				REMARKS
1	YF3-T3036-89-10	PLATE KIT,FRONT	1				
2	YFG-37009-12-10	BOLT	6				
3	YF4-50000-70	HOLDER,COCK BASE	1				
4	YFG-37009-48-70	RIVET	2				
5	YF3-35009-70	COVER,FRONT	1				
6	YFG-37009-11-90	BOLT	6				
7	YFG-37103-05-30	COMP PLATE,ROOF	1				
8	YFG-37009-12-10	BOLT	20				
9	YFG-37007-51-10	COVER,RADIATOR TOP	1				
10	YFG-37001-26-70	CAP,MUFFLER	1				
11	YFG-37009-48-10	PIN,SNAP	1				
12	YF0-40125-00-60	WASHER,PLATE	1				
13	YF3-40704-42-40	PIN,JOINT	1				
14	YF3-43007-50	CASE,LOAD CENTER	1				
15	YFG-37009-11-70	BOLT	8				
16	YF3-43005-91	COVER,LOAD CENTER	1				
17	YF0-10535-10-30	BOLT	2				
18	YFG-37009-25	NUT,U	2				
19	YF0-40136-01	WASHER,PLAIN	4				
20	YFG-37009-66-50	RUBBER	2				
21	YFG-37009-40-10	WASHER,PLAIN	2				
22	YFG-37369-66-70	RUBBER	1				
23	YFG-37369-53-60	WASHER,LOCK	2				

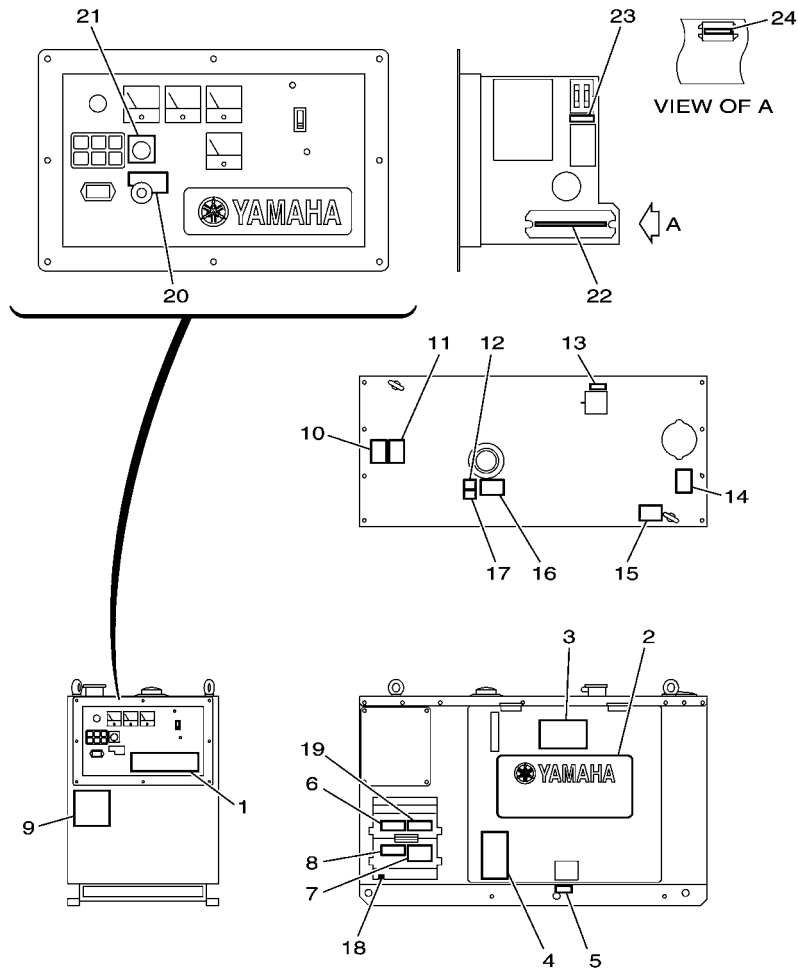
  
 Q9CR600-J290

FIG. 30 FRAME 3



  
Q9CR600-J300

REF. NO.	PART NO.	DESCRIPTION	Q9CR				REMARKS
1	YF2-31007-11	COMP PLATE,REAR	1				
2	YFG-37009-12-10	BOLT	9				
3	YF3-31020-71	PLATE,REAR SIDE	1				
4	YFG-37009-12-10	BOLT	5				
5	YF4-31002-81	ROD,DOOR STOPPER	1				
6	YF0-10535-10-30	BOLT	1				
7	YFG-37009-25	NUT,U	1				
8	YF0-40136-01	WASHER,PLAIN	2				
9	YFG-37009-66-50	RUBBER	1				
10	YF4-31003-61	COVER,AVR	1				
11	YFG-37009-12-10	BOLT	4				
12	YF3-31027-92	PLATE,LEFT	1				
13	YFG-37009-12-10	BOLT	6				
14	YF2-31014-00	DOOR,SIDE	1				
15	YFG-37009-11-50	BOLT	4				
16	YF4-31002-90	STOPPER,DOOR	1				
17	YF0-10535-08-30	BOLT	1				
18	YF0-20545-00-80	NUT	1				
19	YF0-45126-00-80	WASHER,SPRING	2				
20	YF0-40125-00-80	WASHER,PLATE	2				
21	YFG-37003-00-90	HOOK,SIDE DOOR	1				
22	YF0-45126-00-60	WASHER,SPRING	2				
23	YF0-20145-00-60	NUT	2				
24	YF0-40125-00-60	WASHER,PLATE	2				
25	YFG-37009-66-60	SEAL,RUBBER	2				
26	YFG-37009-48-70	RIVET	2				
27	YF5-K1906-13-61	ASSY HANDLE,LOCK	1				



Q9CR600-J310

FIG. 31 LABELS

REF. NO.	PART NO.	DESCRIPTION	Q9CR				REMARKS
1	YF4-T5016-83	MARK (YAMAHA)	1				
2	YF4-T5016-88	MARK (EDL15000SDE)	1				
3	YF3-T5016-91	LABEL,COVER OPEN	1				
4	YFG-38108-86-52	LABEL,OPERATION	1				
5	YFG-37008-85-91	LABEL,OIL DRAIN	1				
6	YFG-33418-83-01	LABEL,CAUTION	1				
7	YFG-33418-83-11	LABEL,CAUTION	1				
8	YFG-33418-89-51	LABEL,CAUTION (WIRING)	1				
9	YFG-37008-82-31	LABEL,INSTRUCTION	1				
10	YF3-T5016-92	LABEL,STARTER	1				
11	YFG-33418-82-41	LABEL,WARNING	1				
12	YF1-89015-09-02	LABEL,FUEL	1				
13	YF3-T5016-93	LABEL,HI-TEMP.	1				
14	YF3-T5016-94	LABEL,RADIATOR CAUT.	1				
15	YF3-T5016-95	LABEL,HOOK CAUTION	1				
16	YFG-33418-84-01	LABEL,WARNING (FUEL)	1				
17	YFG-37008-84-11	LABEL,FUEL (37L)	1				
18	YF4-70008-10	LABEL,GROUND	1				
19	YFG-33418-82-21	LABEL,WARNING	1				
20	YFG-37008-85-21	LABEL,STARTER SWITCH	1				
21	YF4-E5010-50	LABEL,OPERATION	1				
22	YFG-37178-84-91	LABEL,TARMINAL	1				
23	YFG-37008-80-91	LABEL,FUSE	1				
24	YFG-37008-84-81	LABEL,TERMINAL	1				

NUMERICAL INDEX

PART NO.	REF. NO.	PART NO.	REF. NO.	PART NO.	REF. NO.	PART NO.	REF. NO.	PART NO.	REF. NO.	PART NO.	REF. NO.
YF0-10235-06-12	18 - 13	YF1-11976-33-80	16 - 17	YF4-31002-90	30 - 16	YFG-37006-55-60	27 - 8	YFG-37026-58-30	28 - 4	YFG-37360-32-40	26 - 1
YF0-10235-06-18	10 - 35	YF3-12201-41-70	9 - 5	YF4-31003-61	30 - 10	YFG-37006-79-10	27 - 9	YFG-37027-21-80	18 - 22	YFG-37360-38-50	28 - 7
	17 - 28	YF3-13511-81-10	22 - 11	YF2-31007-11	30 - 1	YFG-37007-31-30	18 - 23	YFG-37027-21-90	18 - 21	YFG-37362-06	26 - 3
YF0-10235-06-20	4 - 21	YF1-14606-31-10	16 - 20	YF2-31014-00	30 - 14	YFG-37007-31-40	14 - 19	YFG-37030-24-50	24 - 11	YFG-37362-06-20	26 - 4
	11 - 35	YF1-14606-31-20	16 - 23	YF3-31020-71	30 - 3		18 - 24	YFG-37030-26-10	24 - 9	YFG-37369-12-20	26 - 5
YF0-10235-06-22	10 - 36	YF1-14606-32-70	16 - 19	YF3-31027-92	30 - 12	YFG-37007-51-10	29 - 9	YFG-37030-26-52	24 - 19	YFG-37369-20-20	26 - 6
YF0-10255-06-16	25 - 42	YF1-14606-35	16 - 9	YFG-33418-82-21	31 - 19	YFG-37008-80-91	31 - 23	YFG-37030-28	25 - 21		26 - 16
YF0-10255-06-25	26 - 2	YF1-14606-35-30	16 - 10	YFG-33418-82-41	31 - 11	YFG-37008-82-31	31 - 9	YFG-37030-35-10	25 - 27	YFG-37369-40-30	26 - 9
YF0-10255-06-30	11 - 19	YF1-14609-33-10	16 - 24	YFG-33418-83-01	31 - 6	YFG-37008-84-11	31 - 17		25 - 43	YFG-37369-53-60	29 - 23
YF0-10535-06-50	6 - 6	YF0-15135-08-22	21 - 6	YFG-33418-83-11	31 - 7	YFG-37008-84-81	31 - 24	YFG-37030-35-30	25 - 26	YFG-37369-66-70	29 - 22
YF0-10535-08-30	30 - 17	YF0-15175-10-28	16 - 1	YFG-33418-84-01	31 - 16	YFG-37008-85-21	31 - 20	YFG-37031-05-30	24 - 10	YFG-37460-35-20	25 - 3
YF0-10535-10-30	29 - 17	YF0-15185-08-22	17 - 25	YFG-33418-89-51	31 - 8	YFG-37008-85-91	31 - 5	YFG-37032-55-60	24 - 24	YFG-38100-38-70	25 - 20
	30 - 6	YF0-17545-06-12	17 - 30	YF4-34002-91	28 - 9	YFG-37009-11-10	23 - 9	YFG-37032-62-90	24 - 23	YFG-38108-86-52	31 - 4
YF0-10535-10-40	26 - 10	YF0-17545-06-18	11 - 14	YF3-34004-71	18 - 26	YFG-37009-11-50	2 - 24	YFG-37033-07-50	25 - 16	YF1-39639-20-10	16 - 28
YF0-10735-10-20	27 - 12	YF0-17545-08-20	11 - 6	YF3-34005-10	22 - 12		18 - 25	YFG-37039-10	24 - 5	YF0-40125-00-60	10 - 37
YF0-10735-10-30	9 - 8	YF0-17545-08-30	11 - 18	YF4-34007-11	27 - 1		22 - 14		24 - 12		10 - 47
YF0-10735-12-25	23 - 5	YF0-17545-08-85	4 - 12	YF3-35009-70	29 - 5		30 - 15	YFG-37039-10-10	24 - 7		11 - 43
	28 - 10	YF0-17745-10	15 - 2	YFG-36001-16-20	22 - 9	YFG-37009-11-60	22 - 15	YFG-37039-10-20	24 - 17		29 - 12
YF0-11235-08-18	7 - 8	YF0-20145-00-60	11 - 41	YFG-36001-21-10	21 - 7	YFG-37009-11-70	25 - 2	YFG-37039-10-30	24 - 25		30 - 24
	7 - 14		30 - 23	YFG-36004-10-10	14 - 1		29 - 15	YFG-37039-10-40	24 - 27	YF0-40125-00-80	2 - 23
YF0-11235-08-20	2 - 14	YF0-20145-01	23 - 14	YFG-36004-17-10	14 - 16	YFG-37009-11-80	25 - 19	YFG-37039-11	24 - 6		3 - 6
	2 - 22		26 - 7	YFG-36005-75-80	10 - 20		26 - 15		24 - 15		10 - 44
	17 - 4		26 - 11	YFG-36007-02	25 - 34	YFG-37009-11-90	29 - 6		24 - 21		13 - 11
YF0-11235-08-22	20 - 3	YF0-20545-00-40	25 - 5	YFG-37000-34-80	25 - 28	YFG-37009-12	25 - 15	YFG-37039-11-10	24 - 8		19 - 14
YF0-11235-08-25	8 - 7	YF0-20545-00-80	30 - 18	YFG-37000-34-90	25 - 24	YFG-37009-12-10	29 - 2		24 - 18		30 - 20
YF0-11235-08-28	8 - 8	YF0-20545-01-40	23 - 12	YFG-37000-35	25 - 29		29 - 8	YFG-37039-11-20	24 - 26	YF0-40136-00-40	12 - 20
	17 - 24	YF0-20565-00-60	4 - 25	YFG-37000-35-50	25 - 12		30 - 2		24 - 28		25 - 7
YF0-11235-08-35	13 - 8		10 - 40	YFG-37000-36-10	25 - 13		30 - 4	YFG-37039-12	24 - 13	YF0-40136-00-80	11 - 30
	17 - 14		11 - 38	YFG-37000-38-20	25 - 14		30 - 11	YFG-37039-12-10	24 - 22		19 - 22
YF0-11235-08-65	10 - 18		15 - 5	YFG-37000-39	25 - 10		30 - 13	YFG-37039-13	24 - 14	YF0-40136-01	23 - 16
YF0-11235-08-70	10 - 19	YF0-21125-00-80	11 - 31	YFG-37000-61-60	23 - 13	YFG-37009-25	29 - 18	YFG-37039-13-10	24 - 20		26 - 13
YF0-11236-08-14	10 - 13	YF0-21145-00-80	13 - 10	YFG-37001-07-50	25 - 31		30 - 7	YFG-37039-14-10	25 - 17		27 - 14
YF0-11236-08-16	2 - 8		16 - 4	YFG-37001-26-70	29 - 10	YFG-37009-33-10	25 - 38	YFG-37100-23	24 - 16		29 - 19
	3 - 2	YF0-21565-00-80	3 - 4	YFG-37002-03-43	28 - 2	YFG-37009-33-20	25 - 37	YFG-37100-36-90	25 - 11		30 - 8
	10 - 43		17 - 7	YFG-37003-00-90	30 - 21	YFG-37009-33-30	23 - 18	YFG-37102-03-50	28 - 1	YF0-40136-01-20	23 - 7
YF0-11255-08-30	14 - 14		17 - 27	YFG-37003-06-73	23 - 3		27 - 6	YFG-37103-05-30	29 - 7		28 - 12
YF0-11275-08-30	15 - 4		19 - 12	YFG-37003-06-83	23 - 4	YFG-37009-33-40	25 - 4	YFG-37103-05-52	23 - 1	YF0-40136-01-40	23 - 11
YF0-11335-10-30	16 - 2		21 - 9	YFG-37003-06-92	23 - 2	YFG-37009-40-10	23 - 17	YFG-37104-17-20	27 - 7	YF0-40155-00-80	14 - 11
YF0-11335-12-25	13 - 12	YF0-27515-00-80	11 - 8	YFG-37004-11-30	14 - 20		29 - 21	YFG-37160-35-40	25 - 8	YF3-40704-42-20	10 - 38
YF1-11514-12-60	14 - 2	YF0-27615-00-40	12 - 19	YFG-37004-11-40	14 - 21	YFG-37009-48-10	11 - 40	YFG-37160-37-90	28 - 5	YF3-40704-42-40	29 - 13
YF0-11535-08-12	9 - 6	YF0-27715-01	15 - 3	YFG-37004-12	14 - 22		29 - 11	YFG-37160-38-02	28 - 6	YF2-41002-22	25 - 1
	19 - 9		16 - 3	YFG-37004-14-40	23 - 8	YFG-37009-48-70	22 - 13	YFG-37169-12-10	25 - 9	YF1-41114-24-10	11 - 9
YF0-11535-08-70	17 - 6	YF0-30245-05-20	12 - 16	YFG-37004-24-50	14 - 18		29 - 4	YFG-37170-21	24 - 1	YF1-41829-20-30	15 - 35
YF1-11736-30-20	16 - 14	YF0-30245-05-25	25 - 39	YFG-37005-72-70	11 - 39		30 - 26	YFG-37170-24	24 - 2	YF3-42601-39-60	22 - 7
YF1-11736-31-30	16 - 31	YF0-30345-04-10	25 - 25	YFG-37006-13-50	25 - 30	YFG-37009-66-50	29 - 20	YFG-37170-24-10	24 - 3	YF3-42601-39-70	22 - 8
YF1-11976-30-70	16 - 8	YF0-30345-05-10	5 - 5	YFG-37006-33-80	25 - 22		30 - 9	YFG-37171-07-40	25 - 18	YF1-42614-13-52	14 - 4
YF1-11976-30-80	16 - 7		25 - 23	YFG-37006-38-70	27 - 10	YFG-37009-66-60	30 - 25	YFG-37178-84-91	31 - 22	YF4-43005-71	26 - 14
YF1-11976-33-20	16 - 29	YF4-31002-81	30 - 5	YFG-37006-38-80	27 - 11	YFG-37022-03-40	28 - 3	YFG-37360-25-90	24 - 4	YF3-43005-91	29 - 16

NUMERICAL INDEX

PART NO.	REF. NO.	PART NO.	REF. NO.	PART NO.	REF. NO.	PART NO.	REF. NO.	PART NO.	REF. NO.	PART NO.	REF. NO.
YF3-43007-50	29 - 14	YF0-50120-06-12	4 - 7	YF1-52217-31	18 - 12	YF1-55210-51-40	5 - 1	YF1-58415-36-22	12 - 8	YF6-64465-52-60	25 - 40
YF1-43014-23-60	14 - 17	YF0-50120-10-18	1 - 11	YF1-52218-82-10	4 - 24	YF1-55210-51-50	5 - 2	YF1-58415-38-50	12 - 14	YF1-64544-25-02	12 - 1
YF1-43014-27-50	13 - 17	YF1-50211-42-40	19 - 21		11 - 36	YF1-55210-53-70	5 - 4	YF1-58415-38-60	12 - 15	YF1-64545-36-10	12 - 7
YF4-44002-24-30	27 - 2	YF1-50213-36-60	1 - 15	YF1-52219-15-30	11 - 7	YF1-55210-55-50	5 - 6	YF1-58419-20-30	12 - 5	YF1-64545-39	12 - 4
YF0-45125-00-80	21 - 10		5 - 12		17 - 5	YF1-55210-56-70	5 - 3	YF1-58419-40-40	12 - 6	YF1-64679-10-10	4 - 9
YF0-45126-00-40	25 - 6		10 - 25		21 - 4	YF1-55211-42-30	19 - 20	YF1-58419-60-20	13 - 19	YF1-64679-10-20	4 - 11
YF0-45126-00-60	4 - 26	YF1-51084-32-90	13 - 5	YF1-52238-33-40	4 - 22	YF1-55211-65-15	7 - 5	YF1-58523-31-40	2 - 10	YF1-66412-30-20	8 - 28
	6 - 7	YF1-51085-72-80	10 - 41	YF1-52244-32	13 - 3	YF1-55212-21-42	8 - 26		5 - 13	YF1-66526-43-10	15 - 26
	11 - 15	YF1-51087-28-70	18 - 6	YF1-52251-62-14	10 - 14	YF1-55213-69-30	4 - 17	YF1-58816-40-90	15 - 27	YF1-66526-47-70	15 - 16
	11 - 37	YF1-51093-36-60	2 - 20	YF1-52413-69-50	4 - 16	YF1-55215-42-70	10 - 26	YF1-58816-41-50	15 - 13	YF1-66526-47-80	15 - 21
	11 - 42	YF1-51097-33-60	17 - 11	YF1-52619-60-10	3 - 10	YF1-55215-71-15	11 - 33	YF1-58816-42-60	15 - 20	YF1-66617-30-50	17 - 20
	15 - 6		18 - 9	YF1-52714-27-10	12 - 3	YF1-55215-72-40	11 - 32	YF1-58816-43-30	15 - 28	YF1-68519-60-10	4 - 2
	30 - 22	YFM-51663-4C-10	27 - 5	YF1-52727-24-20	18 - 15	YF1-55217-24-62	18 - 20	YF1-58816-47-10	15 - 18	YF1-68519-62-70	1 - 13
YF0-45126-00-80	3 - 5	YF1-51920-16-12	2 - 1	YF1-52727-24-32	18 - 16	YF1-55217-30-35	17 - 17	YF1-58816-48	15 - 15	YF4-70008-10	31 - 18
	9 - 7	YF1-51924-34-30	13 - 7	YF1-53217-32-60	17 - 12	YF1-55217-31-40	18 - 8	YF1-58819-10-40	15 - 32	YF1-71113-64-10	6 - 2
	16 - 5	YF1-51927-27-02	17 - 1	YF1-53217-33-40	1 - 17	YF1-55217-33-20	4 - 19	YF1-58819-10-50	15 - 34	YF6-71115-51-90	28 - 8
	17 - 8	YF1-51929-66-70	2 - 5	YF5-53648-17-40	2 - 16	YF1-55217-35-50	17 - 18	YF1-58819-20-10	15 - 12	YF1-71473-31-30	2 - 21
	17 - 26	YF1-51934-13-80	14 - 5		18 - 11	YF1-55219-15	19 - 11	YF1-58819-20-20	15 - 33	YF1-71473-32-10	2 - 15
	19 - 13	YF1-51934-30-10	13 - 1	YF1-53834-20-20	13 - 16	YF1-55219-23-30	10 - 24	YF1-58819-30-10	15 - 19	YF1-71473-33-90	2 - 17
	19 - 18	YF1-51938-74-60	13 - 6	YF1-54010-55-80	5 - 8	YF1-55219-60-20	1 - 2	YF1-58819-30-20	15 - 29	YF1-71476-06-02	25 - 36
	30 - 19	YF1-51939-70-11	15 - 9	YF1-54011-17-20	22 - 10	YF1-55219-60-30	1 - 3	YF1-58819-30-30	15 - 30	YF1-71595-10-12	11 - 1
YF0-45126-01	9 - 9	YF1-52210-17-50	3 - 1	YF1-54016-33-90	16 - 18	YF0-55256-06	10 - 48	YF1-58819-30-40	15 - 31	YF1-71835-16-50	10 - 28
	23 - 15	YF1-52210-33-70	3 - 8	YF1-54019-20-10	10 - 23	YF1-55438-30-40	17 - 16	YF1-59573-37-40	2 - 18	YF1-71893-90-10	13 - 18
	26 - 8	YF1-52210-33-80	1 - 6	YF1-54034-34-50	13 - 9	YF1-56010-45-60	8 - 19	YF1-59574-20-50	14 - 12	YF1-72483-33-40	2 - 4
	26 - 12	YF1-52210-33-90	1 - 7	YF1-54035-64-10	11 - 21	YF1-56011-55-50	7 - 1	YF1-59774-10-20	13 - 13	YF1-72483-34-50	2 - 6
	27 - 13	YF1-52210-34-90	3 - 9	YF0-54110-04-20	10 - 32	YF1-56015-60-20	11 - 11	YF1-62217-32-70	17 - 13	YF3-73003-51-20	14 - 9
YF0-45126-01-20	23 - 6	YF1-52211-31-53	19 - 6	YF0-54110-05-28	19 - 15	YF1-56015-64-80	11 - 20	YF1-62316-42-30	15 - 23	YF3-73003-51-40	14 - 10
	28 - 11	YF1-52211-32-40	19 - 3	YF1-54252-50-12	9 - 1	YF1-56019-20-12	11 - 24	YF1-62316-48-50	15 - 24	YF3-73003-51-60	14 - 7
YF0-45126-01-40	23 - 10	YF1-52211-32-80	19 - 7	YF1-54341-45-10	5 - 9	YF1-56019-66-50	11 - 25	YF1-62416-40-60	15 - 22	YF1-73112-20-12	8 - 24
YF1-46114-21-20	13 - 14	YF1-52211-33-30	19 - 4	YF1-54363-31-10	2 - 12	YF1-56050-55-10	5 - 7	YF1-62416-49	15 - 25	YF1-73112-23-12	8 - 27
YF1-46814-13-40	14 - 3	YF1-52211-39-80	19 - 5	YF1-54519-23-30	5 - 11	YF1-56115-56-90	10 - 7	YF1-62596-02-50	25 - 41	YF1-73112-29-70	8 - 27
YF0-48111-03	8 - 36	YF1-52211-43-10	19 - 17	YF1-54519-54	7 - 12	YF1-56211-40-30	19 - 19	YF1-62718-74-50	22 - 6	YF1-73112-29-80	8 - 27
YF0-48111-03-20	2 - 13	YF1-52211-43-50	19 - 10	YF1-54616-30-10	16 - 6	YF1-56283-21-10	2 - 7	YF1-62719-61-60	1 - 5	YF1-73261-35-60	3 - 12
YF0-48170-01-20	11 - 29	YF1-52211-44-30	19 - 16	YF1-54617-23-30	18 - 2	YF1-56946-59-90	25 - 35	YF1-62856-35-70	16 - 27	YF1-73211-35-80	3 - 11
YF0-48170-01-50	4 - 3	YF1-52211-62-70	7 - 7	YF1-54617-33-40	18 - 7	YF0-57120-04-08	11 - 28	YF1-62859-20-10	16 - 30	YF1-73257-24-40	18 - 17
YF0-48170-01-60	2 - 9	YF1-52211-63-22	10 - 12	YF1-54695-71-50	11 - 27	YF0-57120-04-10	6 - 9	YF1-62859-80-50	16 - 15	YF1-73261-22-31	21 - 8
YF0-48170-02	4 - 4	YF1-52212-33-60	8 - 37	YF1-54711-45-20	5 - 10	YF0-57120-05-25	10 - 4	YF1-62861-10-13	22 - 1	YF1-73312-10-50	8 - 21
YF0-48170-03-60	4 - 5	YF1-52213-36-50	1 - 12	YF1-54712-33-12	8 - 34	YF0-57120-07-20	7 - 6	YF1-63430-40-20	4 - 1	YF1-73312-10-90	8 - 21
YF0-48175-03	2 - 11	YF1-52213-37	1 - 16	YF1-54712-41-10	8 - 32		8 - 33	YF1-64143-24-30	6 - 1	YF1-73312-19-80	8 - 25
	5 - 14	YF1-52213-37-50	2 - 19	YF1-54713-50-13	6 - 4		15 - 8	YF1-64155-11-50	10 - 3	YF1-73315-77-40	10 - 29
	8 - 22	YF1-52213-56-82	6 - 10	YF1-54715-79-80	10 - 31	YF1-57411-10-83	22 - 2	YF1-64249-10-10	4 - 13	YF1-73316-01-50	10 - 45
YF1-49012-13-10	13 - 15	YF1-52214-31-70	13 - 2	YF1-54716-00-10	10 - 42	YF1-57411-14-70	22 - 5	YF1-64276-01-13	10 - 39	YF1-73317-33-42	17 - 2
YF1-49114-27-50	14 - 13	YF1-52215-54-70	10 - 6	YF1-54716-01-62	10 - 46	YF1-57419-26-20	22 - 3	YF1-64276-40-12	15 - 10	YF1-73339-10-13	2 - 3
YF1-49714-27-50		YF1-52215-57-40	10 - 9	YF1-54719-15-30	3 - 3	YF1-57419-44-30	22 - 4	YF1-64276-40-20	15 - 17	YF1-73416-30-30	16 - 13
YF4-50000-70	29 - 3	YF1-52215-62-30	11 - 16	YF1-54719-53-60	10 - 17	YF1-57486-05-70	11 - 10	YF1-64276-41-10	15 - 11	YF1-73416-30-40	16 - 11
YF1-50003-43-90	14 - 6	YF1-52215-62-80	4 - 6	YF1-55017-24-70	18 - 19	YF1-57660-41-32	4 - 8	YF1-64276-44-20	15 - 1	YF1-73416-32	16 - 16
YF0-50120-04-08	1 - 8	YF1-52216-38-20	9 - 2	YF1-55116-37-60	16 - 26	YF1-57667-34-30	17 - 23	YF1-64299-20-10	21 - 5	YF1-73431-60-10	7 - 3
YF0-50120-06-09	1 - 9	YF1-52216-64-10	11 - 17	YF1-55119-66-60	16 - 25	YF1-58411-46-20	11 - 26	YF6-64366-40-40	15 - 14	YF1-73557-23-80	18 - 14
YF0-50120-06-12	1 - 10										

NUMERICAL INDEX

PART NO.	REF. NO.	PART NO.	REF. NO.	PART NO.	REF. NO.	PART NO.	REF. NO.	PART NO.	REF. NO.	PART NO.	REF. NO.
YF1-73627-41-10	17 - 29	YF1-94347-30-14	17 - 15	YF1-A0912-39-50	8 - 39	YF3-T5016-95	31 - 15				
YF1-73657-42-52	17 - 31	YF1-98185-40-90	10 - 21	YF1-A0912-39-60	8 - 39						
YF1-73816-32-80	16 - 12	YF1-98185-41-03	10 - 22	YF1-A0912-39-70	8 - 40						
YF1-73919-61-60	1 - 4	YF1-A0212-31-92	8 - 31	YF1-A0912-39-80	8 - 40						
YF3-74105-51-50	25 - 33	YF1-A0212-42-52	7 - 13	YF1-E0173-36-50	17 - 21						
YF3-74105-91-10	25 - 32	YF1-A0212-42-81	7 - 10	YF1-E1475-72-10	11 - 34						
YF1-74825-77-06	10 - 27	YF1-A0212-43-70	7 - 11	YF4-E5010-50	31 - 21						
YF1-74825-77-20	10 - 30	YF1-A0213-22-90	4 - 14	YF1-G2792-13-30	8 - 23						
YF1-74825-79-20	10 - 33	YF1-A0213-51-50	6 - 5	YF1-G2957-20-61	18 - 1						
YF1-75801-60-61	18 - 3	YF1-A0215-16-60	10 - 34	YF1-G2957-28-51	18 - 4						
YF0-77150-04-01	7 - 4	YF1-A0215-41-20	11 - 23	YF1-G2957-29-41	18 - 5						
	8 - 29	YF1-A0215-43-50	11 - 22	YF1-G2957-53-82	18 - 10						
YF0-77150-04-03	10 - 10	YF1-A0217-29-20	17 - 3	YF1-G3697-33	17 - 9						
YF0-77150-32-05	10 - 8	YF1-A0217-33-30	4 - 20	YF1-G3697-33-40	17 - 10						
YF0-77150-32-13	4 - 18	YF1-A0217-35-10	17 - 19	YF1-G4921-62-20	10 - 16						
YF6-81114-23-90	18 - 18	YF1-A0217-35-20	17 - 22	YF1-G5133-65-50	6 - 3						
YF0-81530-62-05	10 - 2	YF1-A0219-10-30	4 - 10	YF1-G6080-10-13	1 - 1						
YF3-84303-51-60	14 - 8	YF1-A0410-70-95	8 - 1	YF1-G7518-81-30	4 - 23						
YF1-89013-02-70	14 - 15	YF1-A0910-43-62	8 - 4	YF1-G7786-55-60	12 - 17						
YF1-89015-09-02	31 - 12	YF1-A0910-45-40	8 - 2	YF1-G7789-73	10 - 11						
YF1-90040-46-10	9 - 4		8 - 11	YF1-G7800-16-20	2 - 2						
YF1-90130-34-50	3 - 13		8 - 14	YF1-G7903-23-02	4 - 15						
YF1-90131-51-10	7 - 2		8 - 17	YF1-G7912-40-10	7 - 9						
YF1-90770-30-48	3 - 7	YF1-A0910-48-20	8 - 6	YF1-G8510-48-12	8 - 5						
YF1-90770-33-10	3 - 14	YF1-A0910-70-45	8 - 10	YF1-G8641-17-60	20 - 1						
YF1-90771-60-25	10 - 1	YF1-A0910-70-55	8 - 13	YF1-G8961-23-10	21 - 1						
YF1-90772-11-12	8 - 20	YF1-A0910-70-65	8 - 16	YF1-G8961-31-10	19 - 1						
YF1-90772-17-70	8 - 42	YF1-A0911-18-22	20 - 2	YF1-G8961-31-20	19 - 2						
YF1-90772-17-80	8 - 42	YF1-A0911-23-50	21 - 3	YF1-G8963-36-10	1 - 14						
YF1-90772-19-12	8 - 20	YF1-A0911-23-60	21 - 2	YF1-G8964-25	12 - 2						
YF1-90775-21-13	11 - 4	YF1-A0911-42-60	19 - 8	YF1-G8965-13-20	11 - 2						
YF1-90775-21-23	11 - 5	YF1-A0912-34-70	8 - 38	YF1-G8965-22	11 - 4						
YF1-90775-36-50	12 - 9	YF1-A0912-34-80	8 - 18	YF1-G8965-54-51	10 - 5						
YF1-90775-37-14	12 - 10	YF1-A0912-34-82	8 - 3	YF1-G8969-66-50	11 - 3						
YF1-90775-37-23	12 - 11		8 - 12	YF1-G9110-44-60	8 - 9						
YF1-90775-37-33	12 - 12		8 - 15	YF1-G9115-61-50	11 - 13						
YF1-90775-37-43	12 - 13	YF1-A0912-35-30	8 - 39	YF1-G9162-51-60	9 - 3						
YF1-90775-60-50	11 - 12	YF1-A0912-35-42	8 - 40	YF5-K1906-13-61	30 - 27						
YF1-90776-55-12	12 - 18	YF1-A0912-39-10	8 - 38	YF1-K5316-46-02	15 - 36						
YF1-92020-41-40	8 - 41	YF1-A0912-39-20	8 - 38	YFW-MS6A7-00	27 - 4						
YF1-92022-32-50	8 - 35	YF1-A0912-39-30	8 - 3	YF1-NM6A7-00	27 - 3						
YF1-92022-32-80	8 - 30		8 - 12	YF3-T3036-89-10	29 - 1						
YF1-92023-56-60	6 - 8		8 - 15	YF4-T5016-83	31 - 1						
YF1-92027-42-80	15 - 7		8 - 18	YF4-T5016-88	31 - 2						
YF1-92126-31	16 - 21	YF1-A0912-39-40	8 - 3	YF3-T5016-91	31 - 3						
YF1-92129-71-30	16 - 22		8 - 12	YF3-T5016-92	31 - 10						
YF1-92221-61-90	10 - 15		8 - 15	YF3-T5016-93	31 - 13						
YF1-92224-32-80	13 - 4		8 - 18	YF3-T5016-94	31 - 14						