



PARTS CATALOGUE

EDL30000STE (Q9CK) OTH,RUS,ZAF



1J9CK-600E1

()

EDL30000STE
PARTS CATALOGUE
©2010 by Yamaha Motor Co., Ltd.
1st edition, May 2010
All rights reserved.
Any reprinting or unauthorized use
without the written permission of
Yamaha Motor Co., Ltd.
is expressly prohibited.
Printed in Japan.

FOREWORD

This Parts Catalogue is related to the parts for the model(s) on the cover page. When you are ordering replacement parts, please refer to this Parts Catalogue and quote both part numbers and part names correctly.

1. Modifications or additions which have been made after the issue of the Parts Catalogue will be announced in the Parts News.

It is advisable that you make the necessary corrections to the Parts Catalogue according to the Parts News.

2. Abbreviations

The following abbreviations are used in this Parts Catalogue.

“UR” Use specified parts number.

“UN” Use as many as needed.

“AP” Alternate Parts

“LM” Locally Made (Parts need to be ordered locally)

“F#” Frame No. (Applicable machine No.)

“O/S” Over Size

3. The number of components for assembly

- Parts, which are to be supplied in an assembly, are listed with a dot (.) in front of the part name as shown below.
- The numeral appearing to the right of each component part indicates the quantity of parts for each assembly unit.

PART NO.	DESCRIPTION	Q'TY	REMARKS
2F5-83310-60	FRONT FLASHER LIGHT ASSY	2	
115-83311-60	.BULB (6V-18W)	1	

4. Applicable colours of graphics are represented in the “REMARKS” as shown below.

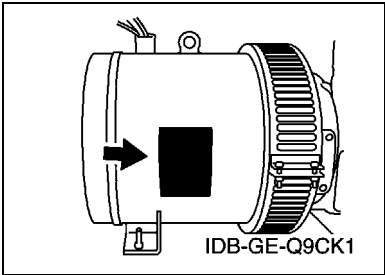
PART NO.	DESCRIPTION	Q'TY	REMARKS
2N4-24110-00-X5	FUEL TANK COMP.	2	MXR
3J1-24240-10	.GRAPHIC, FUEL TANK	1	FOR MXR

5. Note that the illustrations for reference in finding parts numbers are not to be used for assembling. When assembling, please use the applicable service manual.

6. The asterisk (*) before a reference number indicates modified items after the first edition.

FOREWORD

7. Applicable Serial No.
 Frame Serial No.



8. Applicable Colour Code (The (*) mark shows Model colour.)

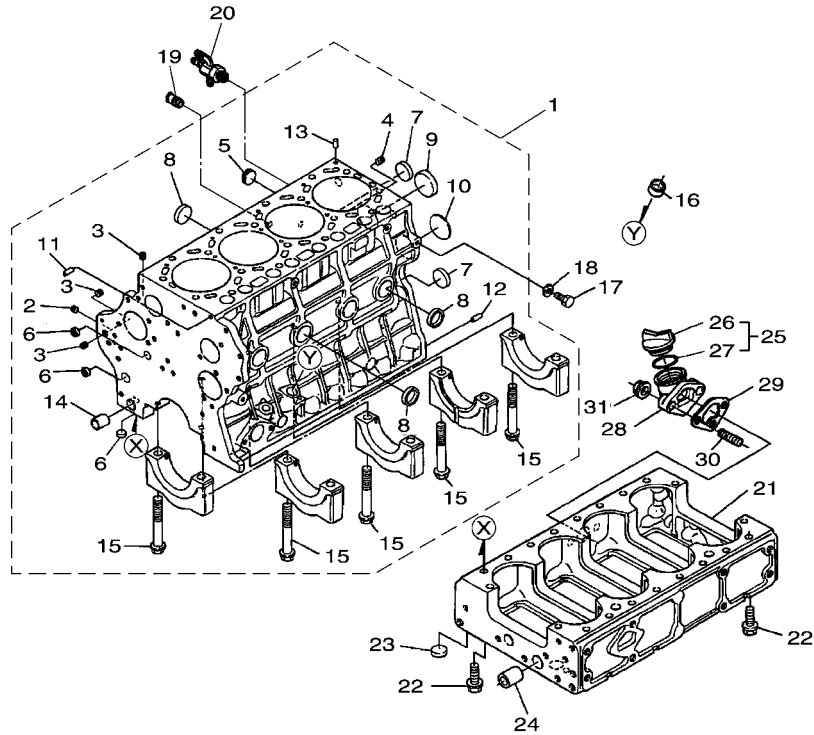
Abbreviation	Colour Name	Colour Code

9. Applicable Starting Serial No.
 *****Serial NO.

Model	Model Code	Destination	Voltage	Serial NO.
EDL30000STE	Q9CK	OTH,RUS,ZAF	380V/220V-50Hz	Q9CK-0100101

CONTENTS

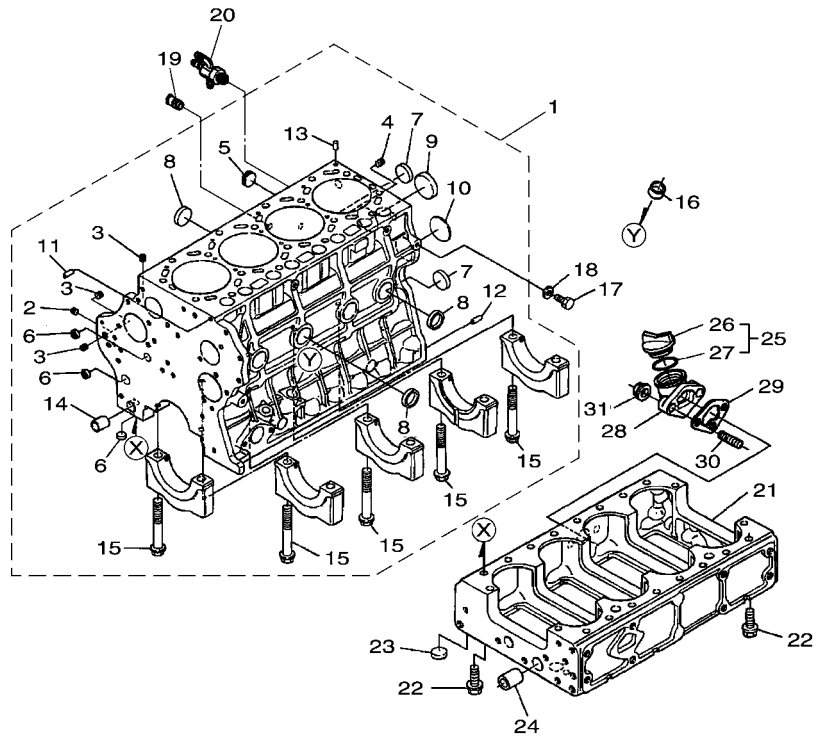
CRANKCASE	1
OIL PAN	3
CYLINDER HEAD	4
CRANKCASE COVER	6
COVER	7
OIL FILTER	8
CAMSHAFT & IDLE GEAR	9
CRANKSHAFT & PISTON	10
FLYWHEEL HOUSING	11
INJECTION PUMP 1	12
INJECTION PUMP 2	13
FUEL INJECTION NOZZLE	17
NOZZLE HOLDER ASSY	18
FUEL FILTER	20
GENERATOR 1	21
STARTING MOTOR	23
WATER PUMP	24
RADIATOR & HOSE	26
INTAKE MANIFOLD	27
EXHAUST	28
AIR CLEANER	29
LUBRICATION	30
OIL COOLER	31
FRAME 1	32
GENERATOR 2	33
ELECTRICAL 1	34
ELECTRICAL 2	36
ELECTRICAL 3	37
ELECTRICAL 4	38
FRAME 2	39
FRAME 3	40
FUEL 1	41
FUEL 2	42
FRAME 4	44
LABELS	45
INDEX	
NUMERICAL INDEX	47




Q9CK600-J010

FIG. 1 CRANKCASE

REF. NO.	PART NO.	DESCRIPTION	Q9CK				REMARKS
1	YF1-C0200-10-10	ASSY.CRANKCASE	1				
2	YF1-58419-60-20	.PLUG	1				
3	YF1-55219-60-20	.PLUG	3				
4	YF1-C0109-60-10	.PLUG	1				
5	YF1-66839-60-20	.PLUG(P.T1)	1				
6	YF1-52610-33-70	.PLUG,EXPANSION	4				
7	YF1-52210-33-80	.CAP,SEALING	2				
8	YF1-52210-33-80	.CAP,SEALING	7				
9	YF1-52210-33-90	.CAP,SEALING	1				
10	YF1-C0109-61-60	.PLUG,EXPANSION	1				
11	YF0-50120-08-20	.PIN,STRAIGHT	1				
12	YF0-50120-10-16	.PIN,STRAIGHT	4				
13	YF1-52213-36-50	.PIN,PIPE	2				
14	YF1-C0103-36-40	.PIN,GEAR CASE	1				
15	YF1-C0100-45-60	.BOLT,BEARING CASE	10				
16	YF1-52610-33-70	PLUG,EXPANSION	1				
17	YF1-52213-36-10	PLUG	1				
18	YF1-50213-36-60	PACKING	1				
19	YF1-C0103-71-14	JOINT,WATER PIPE	1				
20	YF1-51934-13-80	COCK,FUEL	1				
21	YF1-G5180-11-22	CRANKCASE	1				
22	YF0-17745-10-30	BOLT,FLANGE	16				
23	YF1-52210-33-80	CAP,SEALING	1				
24	YF1-C0103-36-50	PIN,GEAR CASE	1				
25	YF1-C0103-30-80	ASSY PLUG,O/FILLER	1				
26	YFE-91513-31-40	.PLUG(FUEL FEED)	1				
27	YF0-48175-03	.O RING	1				



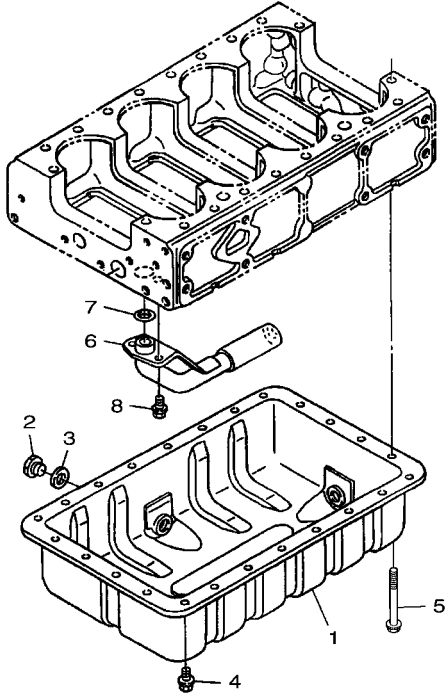

 Q9CK600-J010

FIG. 1 CRANKCASE

REF. NO.	PART NO.	DESCRIPTION	Q9CK				REMARKS
28	YF1-56023-31-10	FLANGE,OIL FILLER	1				
29	YF1-56253-28-90	GASKET	1				
30	YF1-52219-15-30	STUD	2				
31	YF0-27515-00-80	NUT, FLANGE (EDK8000TE)	2				

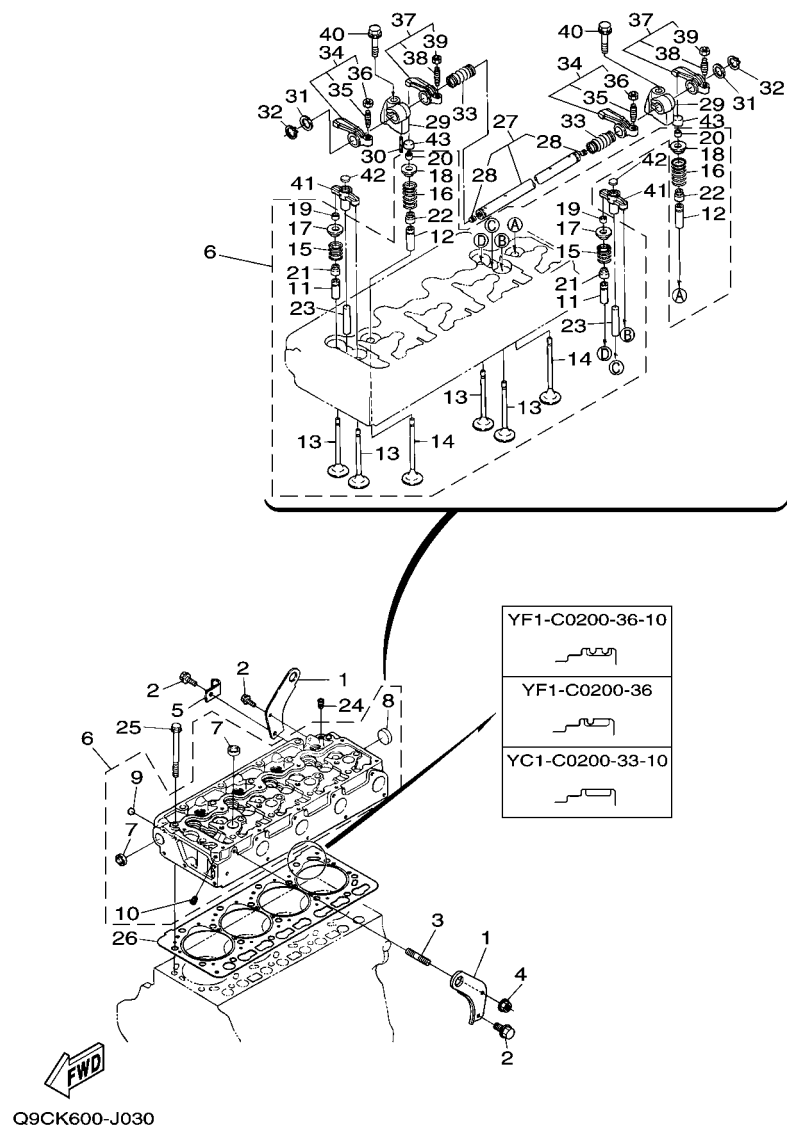
FIG. 2 OIL PAN

REF. NO.	PART NO.	DESCRIPTION	Q9CK				REMARKS
1	YF1-C0100-15-03	COMP.OIL PAN	1				
2	YF1-57073-37-50	PLUG,DRAIN	2				
3	YF1-62659-66-70	GASKET	2				
4	YF1-C0109-11	BOLT,OIL PAN	20				
5	YF0-17745-10-04	BOLT,FLANGE	4				
6	YF1-C0103-21-10	FILTER,OIL	1				
7	YF0-48140-02-20	O RING	1				
8	YF0-17545-08-14	BOLT, FLANGE (EDK10)	2				



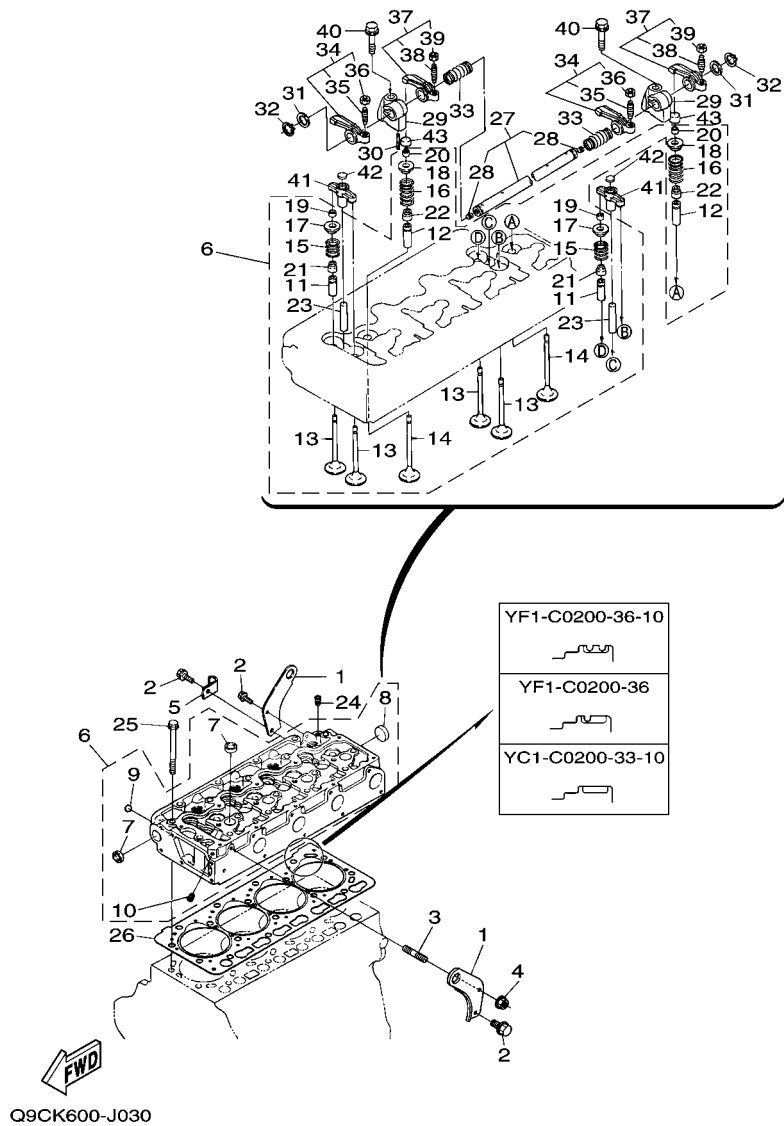
Q9CK600-J020

FIG. 3 CYLINDER HEAD

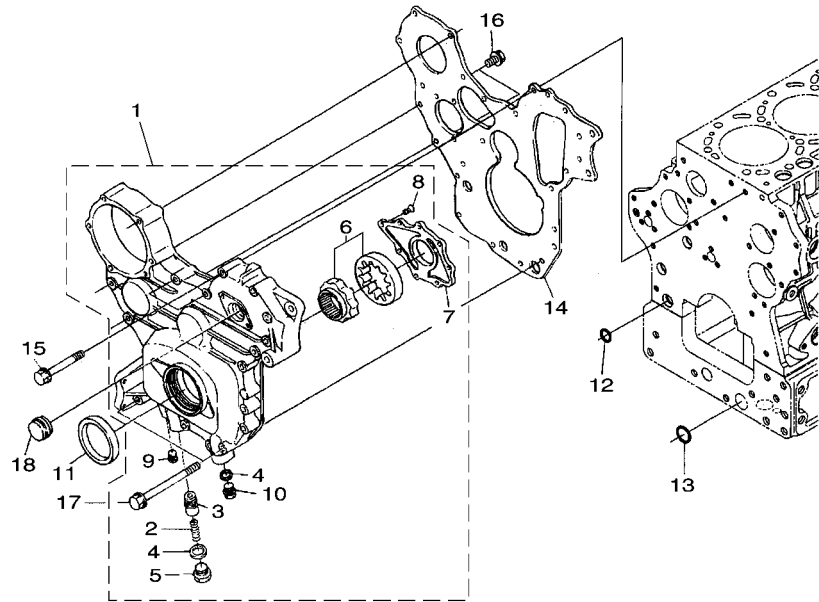


REF. NO.	PART NO.	DESCRIPTION	Q9CK				REMARKS
1	YF1-54710-17-40	HOOK,ENGINE	2				
2	YF0-17545-08-14	BOLT, FLANGE (EDK10)	3				
3	YF1-52219-15-30	STUD	1				
4	YF0-27515-00-80	NUT, FLANGE (EDK8000TE)	1				
5	YF1-22346-75-80	CLAMP,CORD	1				
6	YF1-G5130-30-20	ASSY CYLINDER HEAD	1				
7	YF1-52210-33-70	.CAP,SEALING	5				
8	YF1-52210-34-90	.PLUG,EXPANSION	1				
9	YF0-77150-32-09	.BALL	4				
10	YF1-55219-60-20	.PLUG	1				
11	YF1-62611-35-40	.GUIDE,INLET VALVE	8				
12	YF1-C0101-35-60	.GUIDE, VALVE,EXHAUST	4				
13	YF1-C0101-31-13	.VALVE,INLET	8				
14	YF1-C0101-31-22	.VALVE,EXHAUST	4				
15	YF1-C0101-32-40	.SPRING,VALVE	8				
16	YF1-52211-32-40	.SPRING,VALVE	4				
17	YF1-62611-33-30	.RETAINER,SPRING	8				
18	YF1-52211-33-30	.RETAINER,VALVE SP.	4				
19	YF1-52611-33-60	.COLLET, VALVE SP.(EDL6500)	8				
20	YF1-52211-39-80	.COLLET,VALVE SPRING	4				
21	YF1-C0101-31-50	.SEAL,(VALVE STEM)	8				
22	YF1-C0101-31-60	.SEAL,VALVE STEM	4				
23	YF1-C0101-34-82	.SHAFT,VALVE	4				
24	YF1-58419-60-20	PLUG	1				
25	YF1-C0100-34-50	BOLT,CYLINDER HEAD	18				
26	YF1-C0200-33-10	GASKET,CYLINDER HEAD	1				UR NOT NOTCH
	YF1-C0200-36	GASKET,CYLINDER HEAD	1				UR 1 NOTCH

FIG. 3 CYLINDER HEAD



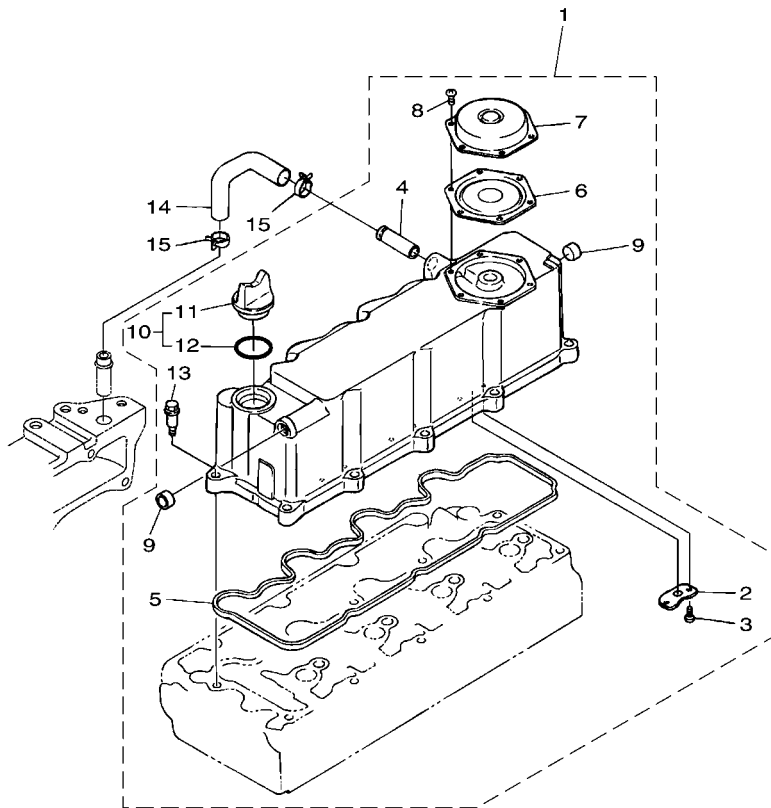
REF. NO.	PART NO.	DESCRIPTION	Q9CK			REMARKS
26	YF1-C0200-36-10	GASKET,CYLINDER HEAD	1			UR 2 NOTCH
27	YF1-C0101-40-50	ASSY SHAFT,R-ARM	1			
28	YF0-34105-08-08	.SCREW,SET	2			
29	YF1-C0101-43-50	BRACKET,ROCKER ARM	4			
30	YF0-54110-05-28	PIN,SPRING	1			
31	YF1-C0101-44-30	WASHER	2			
32	YF0-46120-01-60	CIR CRIP,EXTERNAL	2			
33	YF1-C0201-43-10	SPRING,ROCKER ARM	3			
34	YF1-C0101-40-20	ASSY ROCKER ARM,IN.	4			
35	YF1-55211-42-30	.SCREW,ADJUSTING	1			
36	YF1-50211-42-40	.NUT	1			
37	YF1-C0101-41-50	ASSY ROCKER ARM,EXH.	4			
38	YF1-55211-42-30	.SCREW,ADJUSTING	1			
39	YF1-50211-42-40	.NUT	1			
40	YF0-17745-10-60	BOLT,FLANGE	4			
41	YF1-C0201-34-63	ARM,VALVE BRIGE	4			
42	YF1-C0101-34-90	PAD	4			
43	YF1-52211-32-80	CAP, VALVE	4			




 Q9CK600-J040

FIG. 4 CRANKCASE COVER

REF. NO.	PART NO.	DESCRIPTION	Q9CK				REMARKS
1	YF1-C0120-40-12	ASSY CASE,GEAR	1				
2	YF1-C0103-69-50	.SPRING	1				
3	YF1-C0103-69-22	.VALVE,RELIEF	1				
4	YF1-62659-66-70	.GASKET	2				
5	YF1-C0103-69-60	.PLUG	1				
6	YF1-C0103-50-70	.ASSY ROTOR,OIL PUMP	1				
7	YF1-C0103-51-30	.COVER,OIL PUMP	1				
8	YF0-30165-06-16	.SCREW,CSK-HD	8				
9	YF1-C0109-60-20	.PLUG	1				
10	YF1-62863-37-50	.PLUG(DRAIN)	1				
11	YF1-C0200-41-40	SEAL,OIL	1				
12	YF0-48140-02	O RING	1				
13	YF0-48140-02-40	O RING	1				
14	YF1-C0110-41-62	PLATE,GEAR CASE	1				
15	YF1-C0109-10-30	BOLT,FLANGE	13				
16	YF0-17545-08-30	BOLT	2				
17	YF1-C0109-10-40	BOLT,FLANGE	2				
18	YF1-62648-33-42	COVER(HOUR METER GEAR GASE)	1				

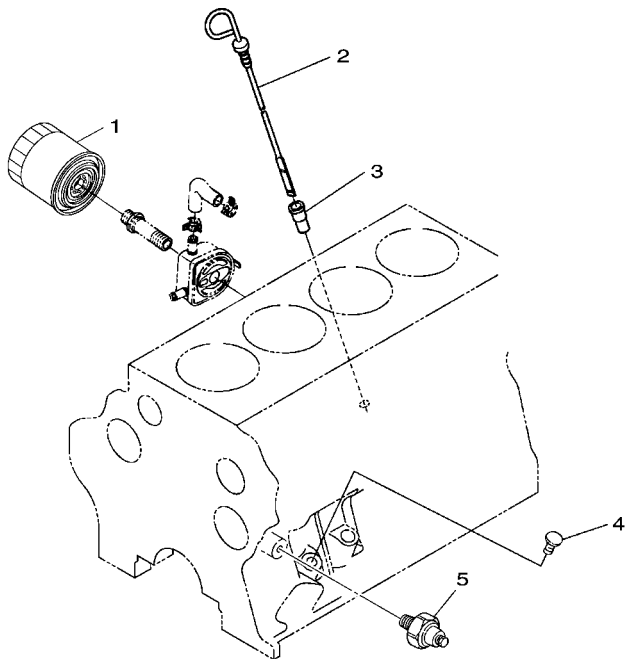



 Q9CK600-J050

FIG. 5 COVER

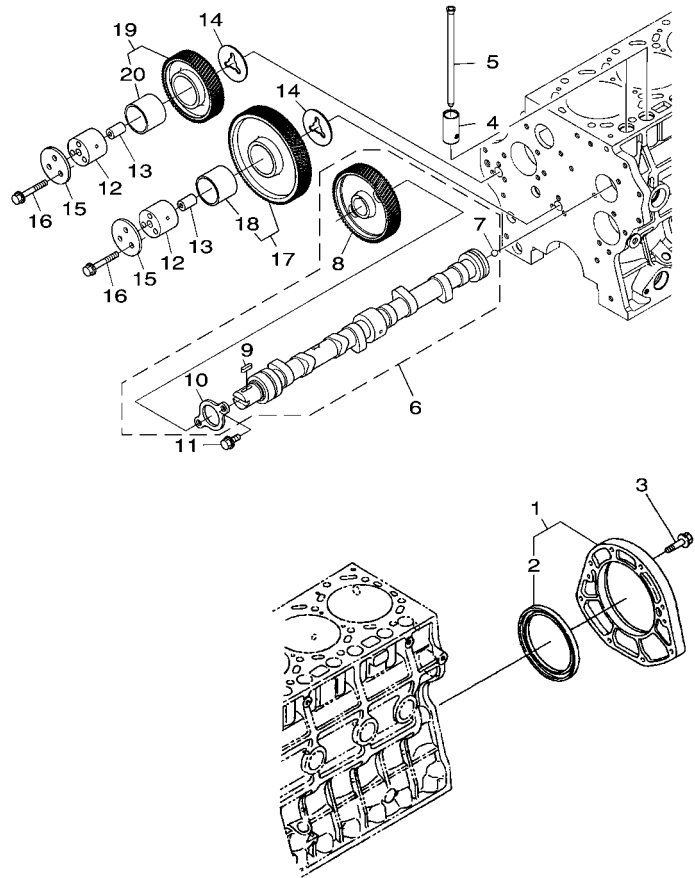
REF. NO.	PART NO.	DESCRIPTION	Q9CK				REMARKS
1	YF1-C0101-45-06	ASSY COVER,CYL.HEAD	1				
2	YF1-J5100-53-70	.SHIELD,OIL BREATHER	3				
3	YF0-30545-04-08	.SCREW. PANHEAD (7NT1)	6				
4	YF1-62410-55-50	.BREATHER PIPE FRANGE	1				
5	YF1-C0101-45-20	.GASKET,HEAD COVER	1				
6	YF1-C0100-52	.COMP.VALVE,BREATHER	1				
7	YF1-C0100-51-20	.COVER,BREATHER	1				
8	YF0-30545-05-08	.SCREW,PAN-HEAD	6				
9	YF0-63118-50-16	.CAP,SEALING	2				
10	YF1-C0103-30-80	.ASSY PLUG,O/FILLER	1				
11	YFE-91513-31-40	..PLUG(FUEL FEED)	1				
12	YF0-48175-03	..O RING	1				
13	YF1-C0109-10-20	.BOLT	10				
14	YF1-C0100-55-10	TUBE,BREATHER	1				
15	YF1-62413-35-10	BAND,PIPE	2				

FIG. 6 OIL FILTER



REF. NO.	PART NO.	DESCRIPTION	Q9CK				REMARKS
1	YF1-C0203-24-30	CARTRIDGE,OIL FILTER	1				
2	YF1-C0103-64-12	GAUGE,OIL	1				
3	YF1-C0103-64-22	GUIDE,OIL GAUGE	1				
4	YF1-G5133-65-50	PLUG,OIL GAUGE	1				
5	YF1-58413-90-10	OIL SWITCH	1				
<hr/>							
<hr/>							
<hr/>							
<hr/>							
<hr/>							
<hr/>							
<hr/>							
<hr/>							
<hr/>							
<hr/>							
<hr/>							

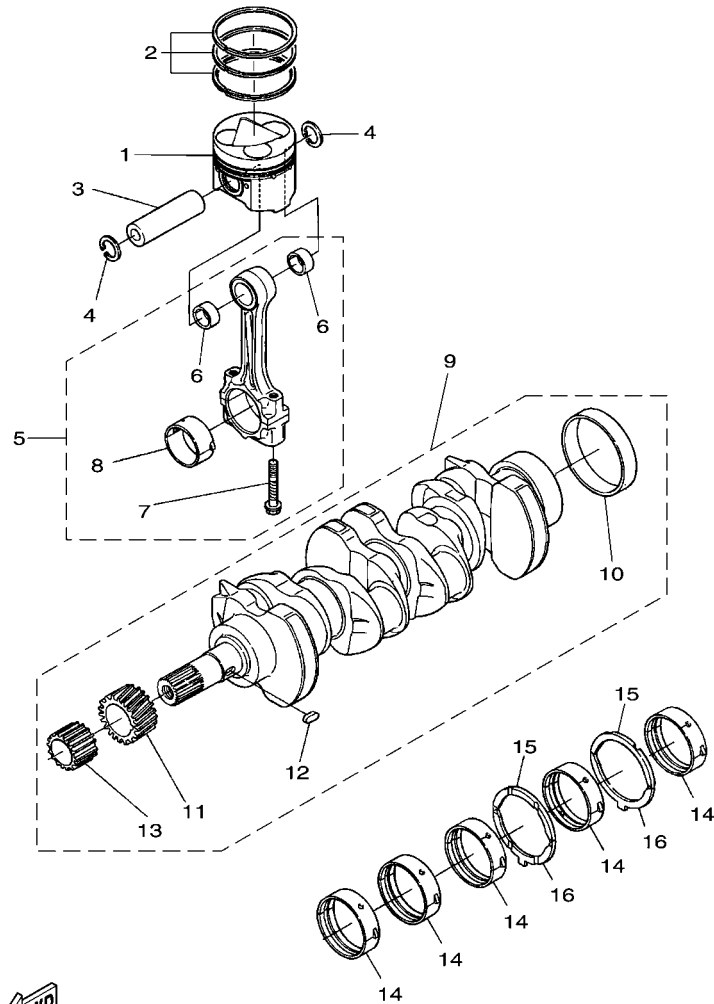

 Q9CK600-J060




 Q9CK600-J070

FIG. 7 CAMSHAFT & IDLE GEAR

REF. NO.	PART NO.	DESCRIPTION	Q9CK				REMARKS
1	YF1-C0100-43	ASSY COVER,BRG.CASE	1				
2	YF1-C0100-44-60	.SEAL,OIL	1				
3	YF0-17545-08-30	BOLT	8				
4	YF1-56011-55-50	TAPPET	8				
5	YF1-C0101-51-10	PUSH ROD	8				
6	YF1-C0101-60-12	ASSY CAMSHAFT	1				
7	YF0-77150-16-05	.BALL	1				
8	YF1-C0101-65-12	.GEAR,CAM	1				
9	YF0-57120-05-20	.FEATHER, KEY	1				
10	YF1-C0101-62-70	.STOPPER,CAMSHAFT	1				
11	YF0-17545-08-14	BOLT, FLANGE (EDK10)	2				
12	YF1-C0102-42-50	SHAFT,IDLE GEAR	2				
13	YF1-C0102-45-20	PIN,GEAR IDLE	2				
14	YF1-C0102-43-60	COLLAR,IDLE GEAR	2				
15	YF1-C0102-43-70	COLLAR,IDLE GEAR	2				
16	YF0-17545-08-55	BOLT,FLANGE	6				
17	YF1-C0112-40-10	COMP.GEAR,IDLE	1				
18	YF1-C0102-49-82	.BUSH,IDLE GEAR	1				
19	YF1-C0112-40-20	COMP.GEAR,IDLE	1				
20	YF1-C0102-49-82	.BUSH,IDLE GEAR	1				

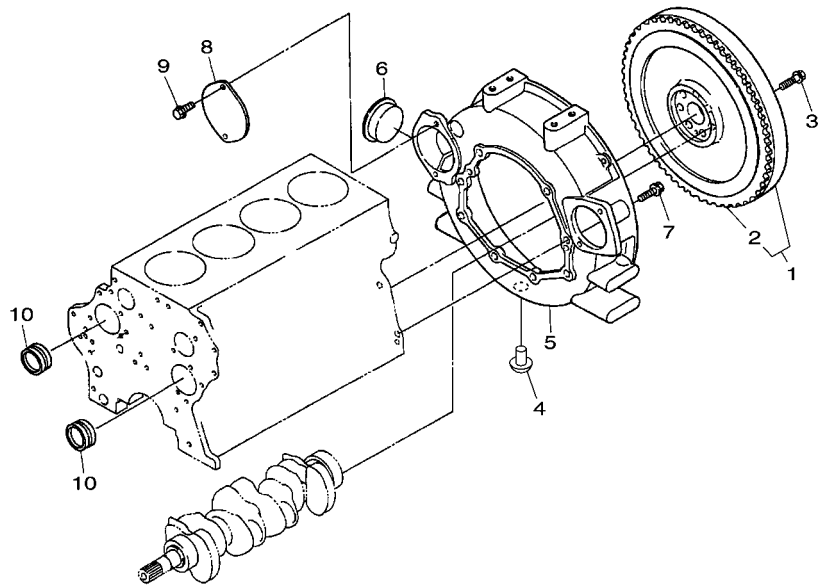



 Q9CK600-J080

FIG. 8 CRANKSHAFT & PISTON

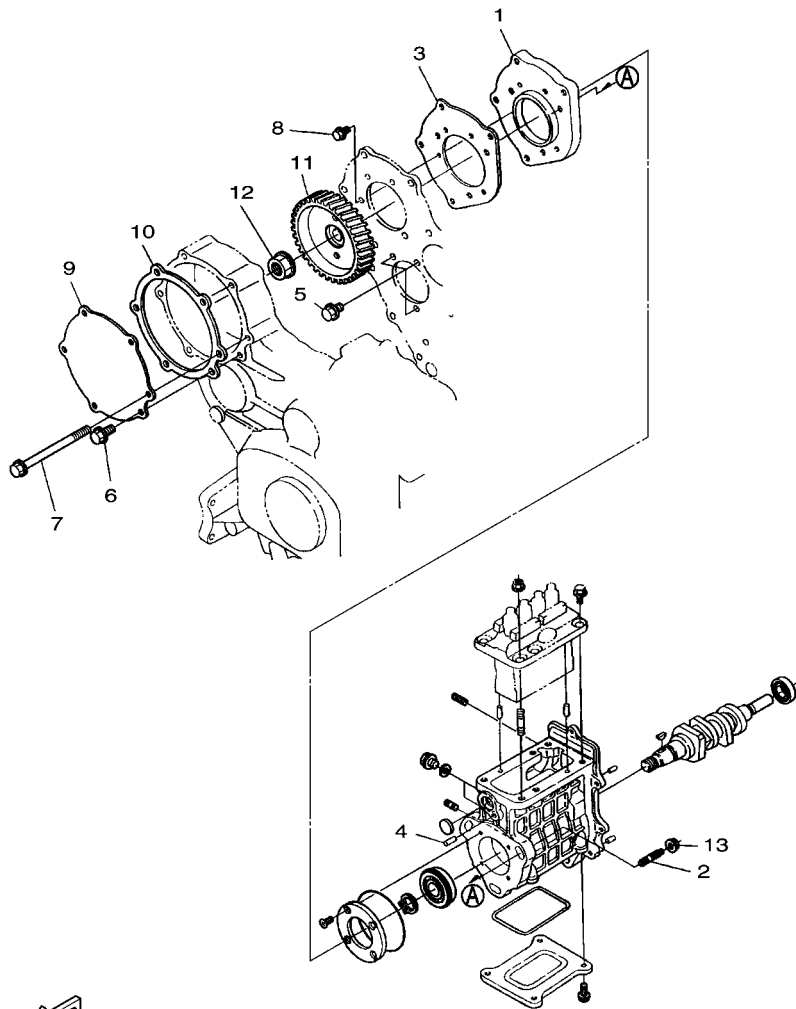
REF. NO.	PART NO.	DESCRIPTION	Q9CK			REMARKS
1	YF1-C0112-11-13	PISTON (STD)	4			
	YF1-C0112-19-13	PISTON (0.50MM O/S)	4			AP
2	YF1-C0112-10-50	ASSY PISTON RING (STD)	4			
	YF1-C0112-10-90	ASSY PISTON RING (0.50MM O/S)	4			AP
3	YF1-C0102-13-10	PIN,PISTON	4			
4	YF0-46110-03	CIR CLIP,INTERNAL	8			
5	YF1-C0202-20-17	ASSY ROD,CONNECTING	4			
6	YF1-C0102-19-80	.BUSH,PISTON PIN	2			
7	YF1-C0102-21-42	.BOLT,CONNECTING ROD	2			
8	YF1-C0202-23-12	.METAL,CRANKPIN (STD)	1			
	YF1-C0202-23-32	.METAL,CRANKPIN (STD)	1			AP
	YF1-C0202-29-62	.METAL,CRANKPIN (0.20MM U/S)	1			AP
	YF1-C0202-29-72	.METAL,CRANKPIN (0.40MM U/S)	1			AP
9	YF1-C0112-30-10	COMP.CRANKSHAFT	1			
10	YF1-C0102-33	.SLEEVE,CRANKSHAFT	1			
11	YF1-C0112-41-10	.GEAR,CRANKSHAFT	1			
12	YF0-57120-05-15	.KEY	1			
13	YF1-C0103-56-30	.GEAR,OIL PUMP DRIVE	1			
14	YF1-C0202-34-70	METAL,CRANKSHAFT (STD)	5			
	YF1-C0202-39-10	METAL,CRANKSHAFT (0.20MM U/S)	5			AP
	YF1-C0202-39-20	METAL,CRANKSHAFT (0.40MM U/S)	5			AP
15	YF1-C0102-35-30	METAL,SIDE (STD)	2			
	YF1-C0102-39-50	METAL,SIDE (0.20MM O/S)	2			AP
	YF1-C0102-39-60	METAL,SIDE (0.40MM O/S)	2			AP
16	YF1-C0102-35-40	METAL,SIDE (STD)	2			
	YF1-C0102-39-70	METAL,SIDE (0.20MM O/S)	2			AP
	YF1-C0102-39-80	METAL,SIDE (0.40MM O/S)	2			AP

FIG. 9 FLYWHEEL HOUSING



REF. NO.	PART NO.	DESCRIPTION	Q9CK				REMARKS
1	YF1-C0102-50-10	COMP.FLYWHEEL	1				
2	YF1-G7726-38-20	.GEAR,RING	1				
3	YF1-54712-51-62	BOLT,FLYWHEEL	7				
4	YF6-84114-43-40	CAP	1				
5	YF1-G5180-46-10	HOUSING,FLYWHEEL	1				
6	YF1-C0100-46-80	COVER	1				
7	YF1-G7729-10-30	BOLT,FLANGE	10				
8	YF1-C0100-44-50	COVER,F/W HOUSING	1				
9	YF0-17745-10-18	BOLT,FLANGE	2				
10	YF1-C0202-63-40	COVER,BLANCER	2				

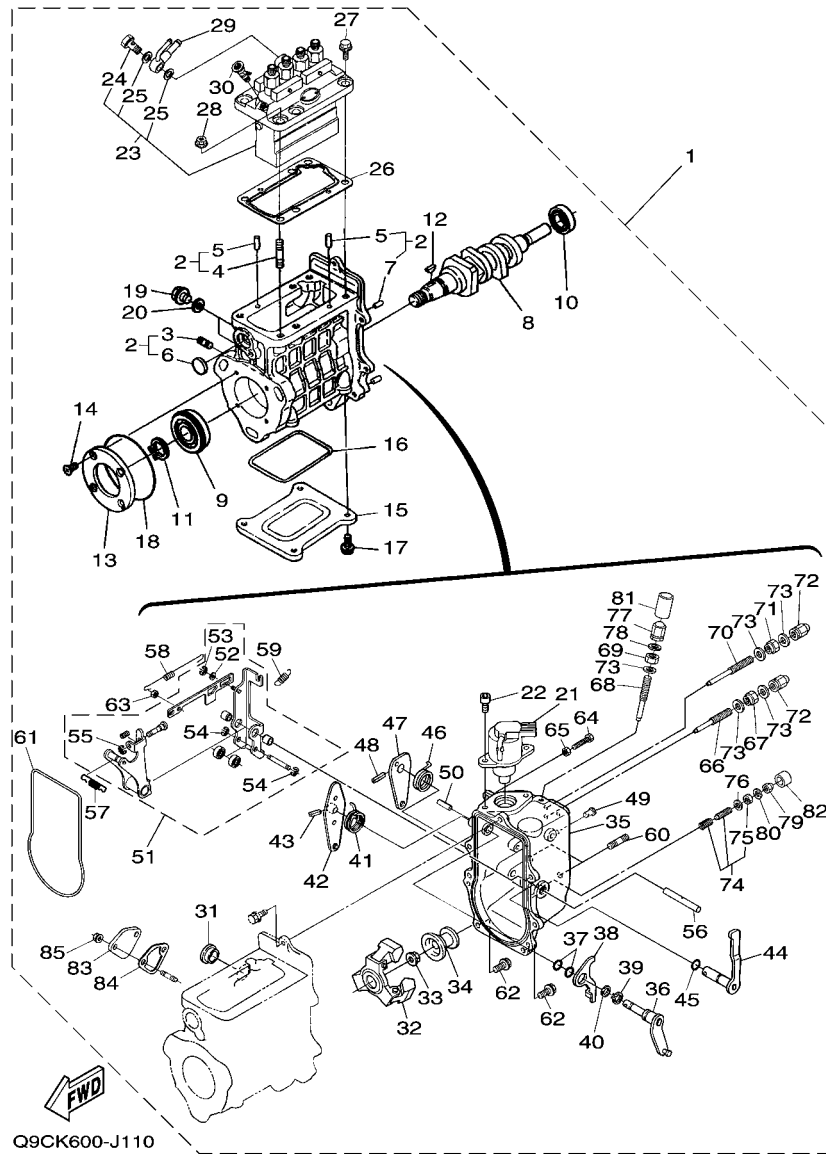

 Q9CK600-J090



Q9CK600-J100

FIG. 10 INJECTION PUMP 1

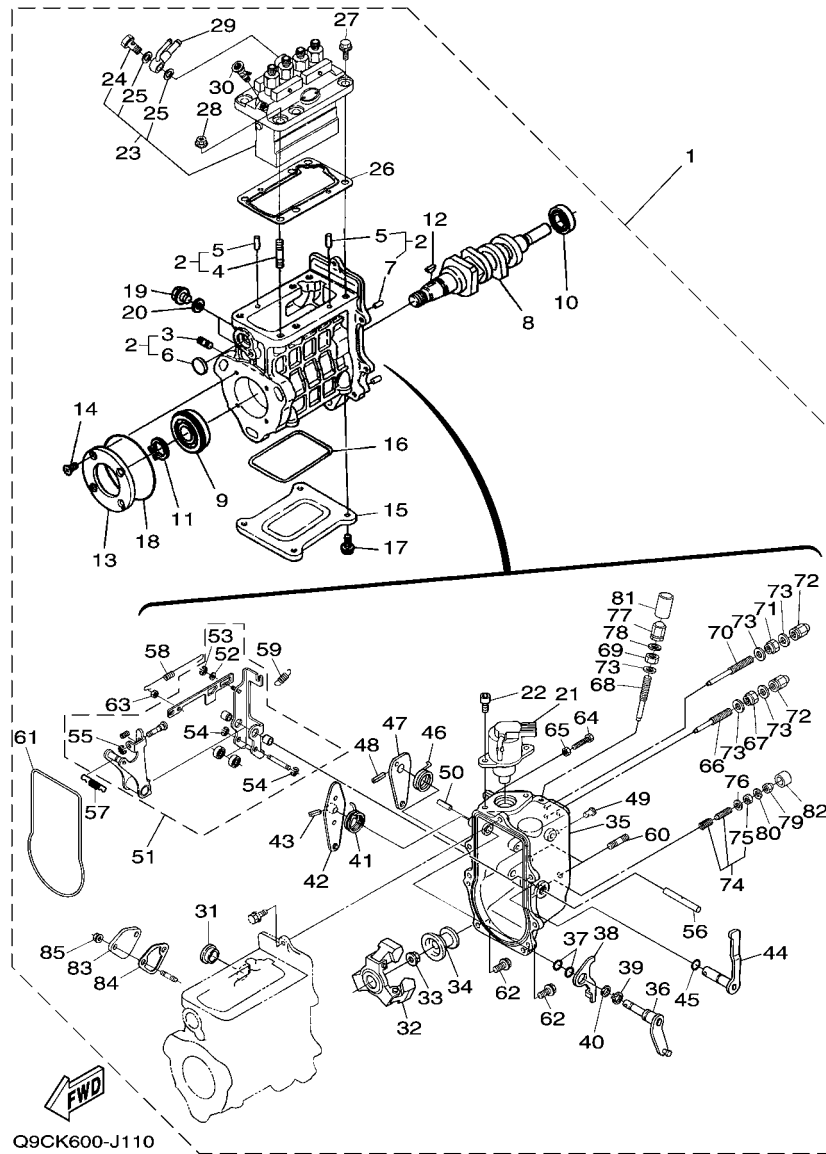
REF. NO.	PART NO.	DESCRIPTION	Q9CK				REMARKS
1	YF1-C0105-11-74	BASE,INJECTION PUMP	1				
2	YF1-C0209-14-90	STUD	3				
3	YF1-C0105-11-80	GASKET,I/P BASE	1				
4	YF0-50120-06-14	PIN, DOWEL	1				
5	YF0-17545-08-14	BOLT, FLANGE (EDK10)	3				
6	YF0-17545-08-20	BOLT	2				
7	YF0-17545-08-70	BOLT,FLANGE	5				
8	YF0-17545-06-14	BOLT	3				
9	YF1-C0255-16-50	COVER,INJ.PUMP	1				
10	YF1-C0105-16-63	GASKET,I/P COVER	1				
11	YF1-C0105-11-52	GEAR,INJECTION PUMP	1				
12	YF0-27765-01-40	NUT,UBS	1				
13	YF0-27515-00-80	NUT, FLANGE (EDK8000TE)	3				



Q9CK600-J110

FIG. 11 INJECTION PUMP 2

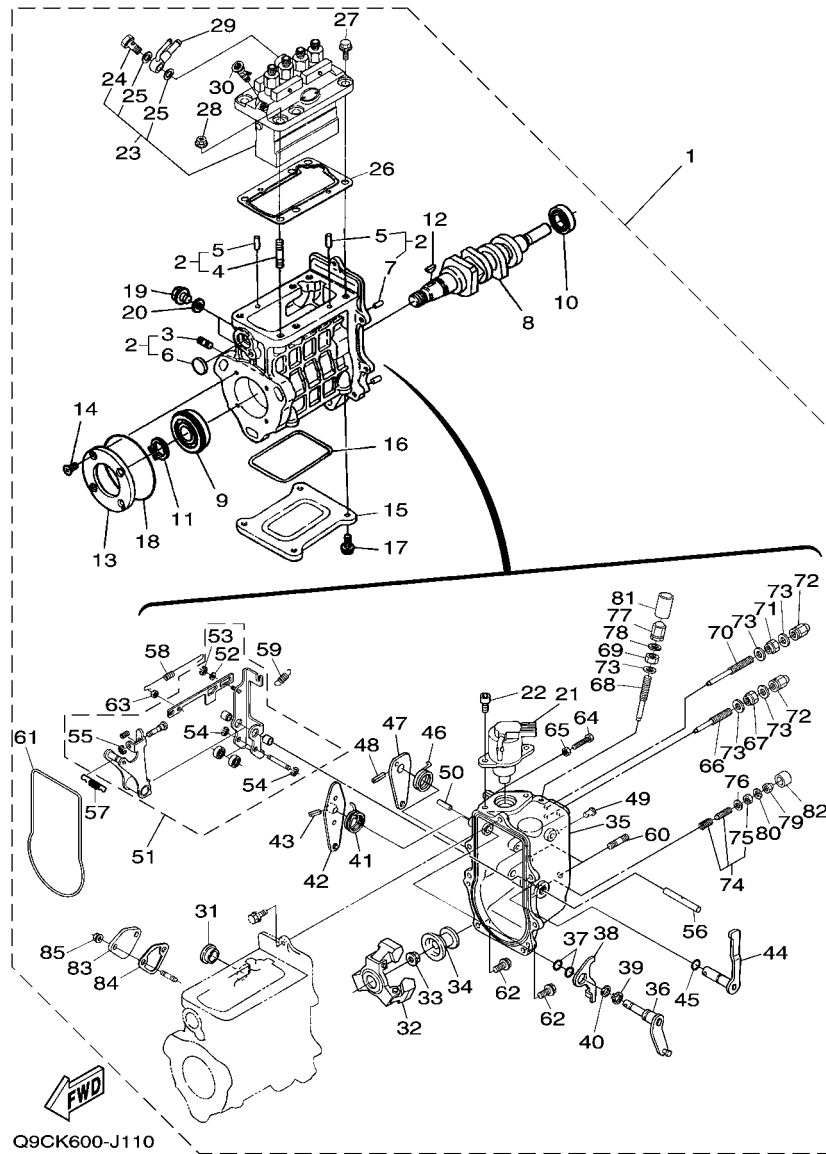
REF. NO.	PART NO.	DESCRIPTION	Q9CK				REMARKS
1	YF1-K9165-01	KIT PUMP,INJECTION	1				
2	YF1-C0105-08	.ASSY HOUSING,I/P	1				
3	YF1-62459-15-40	..STUD	2				
4	YF1-54719-15-30	..STUD	3				
5	YF0-50120-06-09	..PIN, STRAIGHT	2				
6	YF1-C0105-51-40	..PLUG,I/P HOUSING	1				
7	YF0-50120-05-12	..PIN,STRAIGHT	2				
8	YF1-C0101-61-75	.CAMSHAFT,FUEL	1				
9	YF1-G5271-65-70	.BEARING,BALL	1				
10	YF0-81010-62-03	.BEARING,BALL	1				
11	YF0-46120-02	.CIRCLIP	1				
12	YF1-23319-52-30	.KEY,WOODRUFF	1				
13	YF1-C0201-63-22	.STOPPER,FUEL C/SHAFT	1				
14	YF0-30165-06-16	.SCREW,CSK-HD	4				
15	YF1-C0101-62-10	.COVER,FUEL CAMSHAFT	1				
16	YF1-C0101-62-20	.GASKET,SHAFT COVER	1				
17	YF1-39019-10-20	.BOLT	4				
18	YF1-C0105-21-30	.GASKET,INJ.PUMP	1				
19	YF0-17545-08-14	.BOLT, FLANGE (EDK10)	2				
20	YF1-50213-36-60	.PACKING	2				
21	YF1-C0106-00-15	.SOLENOID,STOP	1				
22	YF0-13111-06-16	.BOLT,HEX-SOC-HD	2				
23	YF1-G5175-10-12	.ASSY PUMP,INJECTION	1				
24	YF1-C0105-13-20	..SCREW,HOLLOW	1				
25	YF1-54019-66-50	..GASKET	2				
26	YF1-C0105-21-10	.SHIM,INJECTION PUMP	1				
27	YF0-17545-08-25	.BOLT,FLANGE	3				



Q9CK600-J110

FIG. 11 INJECTION PUMP 2

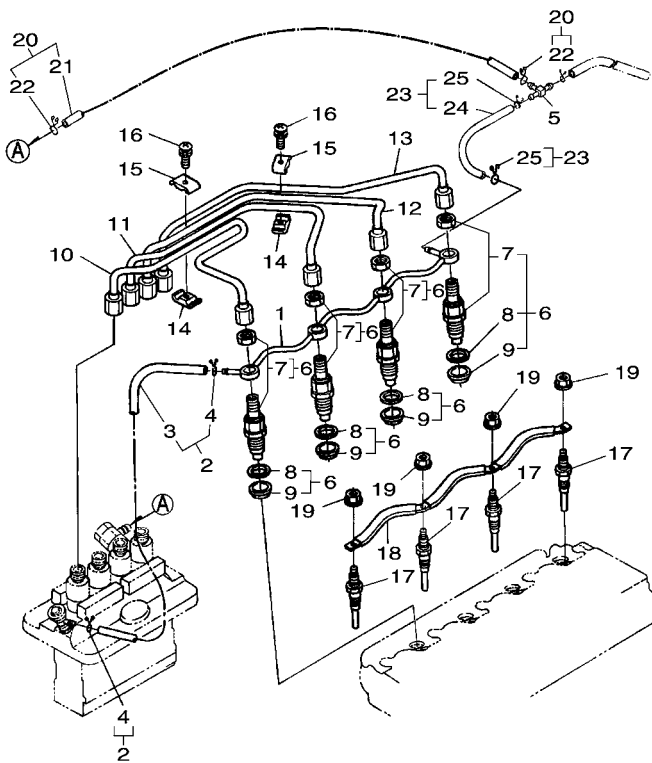
REF. NO.	PART NO.	DESCRIPTION	Q9CK				REMARKS
28	YF0-27515-00-80	.NUT, FLANGE (EDK8000TE)	3				
29	YF1-65514-21	.COMP.PIPE,FUEL	1				
30	YF1-43116-05-04	.ASSY COCK,JET START	1				
31	YF1-C0105-67-50	.COVER,GOVERNOR ROD	1				
32	YF1-G5175-50-53	.ASSY WEIGHT,GOVERNOR	1				
33	YF0-27715-01-20	.NUT,FLANGE	1				
34	YF1-G5175-54-53	.SLEEVE,GOVERNOR	1				
35	YF1-C0115-51-04	.HOUSING,GOVERNOR	1				
36	YF1-C0105-60-23	.ASSY LEVER(GOVERNOR)	1				
37	YF0-48141-00-70	.O-RING	2				
38	YF1-C0106-01-53	.LEVER,STOP	1				
39	YF0-46135-01-20	.CIR CLIP,EXTERNAL	1				
40	YF1-52211-44-30	.WASHER,R-ARM.SHAFT	1				
41	YF1-C0105-75-12	.SPRING	1				
42	YF1-K0125-71-50	.LEVER,SPEED CONTROL	1				
43	YF0-54110-04-16	.PIN,SPRING	1				
44	YF1-C0105-77	.ASSY LEVER,ENG.STOP	1				
45	YF0-48141-00-70	.O-RING	1				
46	YF1-54715-79-20	.SPRING,RETURN	1				
47	YF1-C0105-76-20	.LEVER,ENGINE STOP	1				
48	YF0-54110-04-16	.PIN,SPRING	1				
49	YF1-52215-62-80	.PIN, START SPRING (EDL6500)	1				
50	YF1-C0109-45-10	.PIN,STRAIGHT	1				
51	YF1-G5165-60-32	.ASSY LEVER,FORK	1				
52	YF0-40136-00-50	..WASHER,PLAIN	1				
53	YF0-46135-00-40	..CIR CLIP,EXTERNAL	1				
54	YF0-46135-00-50	..CIR CLIP,EXTERNAL	2				



Q9CK600-J110

FIG. 11 INJECTION PUMP 2

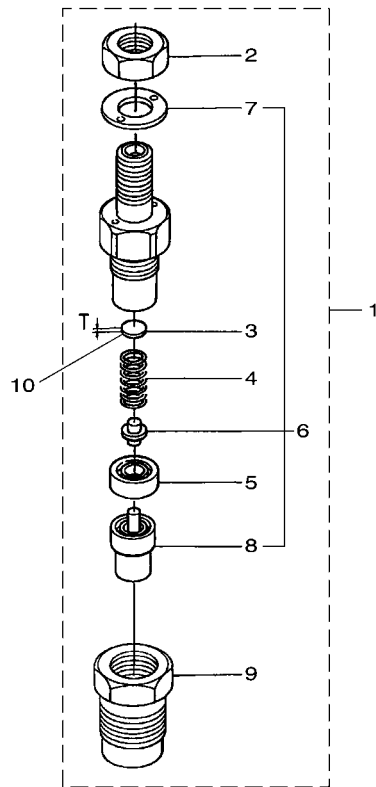
REF. NO.	PART NO.	DESCRIPTION	Q9CK				REMARKS
55	YF0-46135-00-30	..CIR CLIP,EXTERNAL	1				
56	YF1-G5175-61-50	.SHAFT,FORK LEVER	1				
57	YF1-G2975-64-11	.SPRING,GOVERNOR	1				
58	YF1-G5175-64-80	.SPRING,START	1				
59	YF1-C0105-79-20	.SPRING,STOP LEVER	1				
60	YF0-15185-08-20	.STUD	2				
61	YF1-C0105-57-70	.GASKET,GOV.HOUSING	1				
62	YF0-17545-06-18	.BOLT,FLANGE	7				
63	YF1-C0109-20-20	.NUT,LOCK	1				
64	YF1-92809-10-10	.BOLT	1				
65	YF0-20565-00-60	.NUT	1				
66	YF1-C0105-41-53	.BOLT,ADJUSTING	1				
67	YF1-G0315-42-10	.NUT (7NFA)	1				
68	YF1-A0215-41-20	.BOLT,ADJUSTING	1				
69	YF1-58419-20-20	.NUT	1				
70	YF1-C0105-41-20	.BOLT,ADJUSTING	1				
71	YF1-G0315-42-10	.NUT (7NFA)	1				
72	YF1-58529-23-30	.NUT	2				
73	YF1-56019-66-50	.PACKING	5				
74	YF1-G5705-41-02	.ASSY BOLT,ADJUSTMENT	1				
75	YF1-52619-20-20	..NUT	1				
76	YF1-50213-36-60	.PACKING	1				
77	YF1-58529-23-30	.NUT	1				
78	YF1-56019-66-50	.PACKING	1				
79	YF1-58415-42-20	.NUT,CROWN	1				
80	YF1-50213-36-60	.PACKING	1				
81	YF1-62215-44-20	.CAP	1				




Q9CK600-J120

FIG. 12 FUEL INJECTION NOZZLE

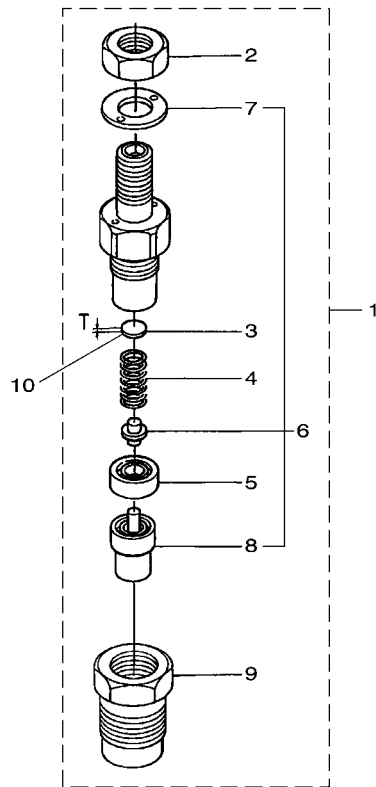
REF. NO.	PART NO.	DESCRIPTION	Q9CK				REMARKS
1	YF1-C0104-25	ASSY PIPE,OVER FLOW	1				
2	YF1-C0104-24	ASSY PIPE,OVER FLOW	1				
3	YF0-96614-01-70	.TUBE,FUEL	1				
4	YF1-49714-27-50	.PIPE CLIP	2				
5	YF1-G0654-23-60	JOINT,T-PIPE	1				
6	YF1-C0105-39	KIT HOLDER,NOZZLE	4				
7	YF1-C0105-30	.ASSY HOLDER,NOZZLE	1				SEE FIG.13-1
8	YF1-58415-36-22	.PACKING	1				
9	YF1-90775-36-50	.SEAL,HEAT	1				
10	YF1-C0105-37-10	PIPE,INJECTION	1				
11	YF1-C0105-37-20	PIPE,INJECTION	1				
12	YF1-C0105-37-30	PIPE,INJECTION	1				
13	YF1-C0105-37-40	PIPE,INJECTION	1				
14	YF1-58415-38-50	CLAMP,PIPE 1	3				
15	YF1-58415-38-60	CLAMP,PIPE 2	3				
16	YF0-30245-05-20	SCREW,WITH WASHER	3				
17	YF1-64156-55-12	GLOW PLUG	4				
18	YF1-C0106-55-60	CORD,GLOW PLUG	1				
19	YF0-27615-00-40	NUT,FLANGE	4				
20	YF1-G5184-20-42	ASSY PIPE,OVER FLOW	1				
21	YF0-96614-05-75	.TUBE,FUEL	1				
22	YF1-49714-27-50	.PIPE CLIP	2				
23	YF1-C0104-24	ASSY PIPE,OVER FLOW	1				
24	YF0-96614-01-70	.TUBE,FUEL	1				
25	YF1-49714-27-50	.PIPE CLIP	2				




 Q9CK600-J130

FIG. 13 NOZZLE HOLDER ASSY

REF. NO.	PART NO.	DESCRIPTION	Q9CK			REMARKS
1	YF1-C0105-30	ASSY HOLDER,NOZZLE	4			SEE FIG.12-7
2	YF1-58419-20-30	.NUT	1			
3	YF1-58415-32-30	.WASHER,ADJUSTING(0.90MM)	1			
4	YF1-C0105-31-70	.SPRING,NOZZLE	1			
5	YF1-58415-33-50	.PIECE,DISTANCE	1			
6	YF1-58415-31-60	.PUSH ROD	1			
7	YF1-58419-40-40	..WASHER	1			
8	YF1-C0105-36-10	..PIECE,NOZZLE	1			
9	YF1-64755-32-80	.NUT,NOZZLE	1			
10	YF1-58419-81	ADJUSTING WASHER ASSY	4			AP
	YF1-58415-32-30	.WASHER,ADJUSTING(0.90MM)	1			AP
	YF1-58419-85-10	.WASHER,ADJUSTING(0.925MM)	1			AP
	YF1-58419-85-20	.WASHER,ADJUSTING(0.950MM)	1			AP
	YF1-58419-85-30	.WASHER,ADJUSTING(0.975MM)	1			AP
	YF1-58419-85-40	.WASHER,ADJUSTING(1.000MM)	1			AP
	YF1-58419-85-50	.WASHER,ADJUSTING(1.025MM)	1			AP
	YF1-58419-85-60	.WASHER,ADJUSTING(1.050MM)	1			AP
	YF1-58419-85-70	.WASHER,ADJUSTING(1.075MM)	1			AP
	YF1-58419-85-80	.WASHER,ADJUSTING(1.100MM)	1			AP
	YF1-58419-85-90	.WASHER,ADJUSTING(1.125MM)	1			AP
	YF1-58419-86	.WASHER,ADJUSTING(1.150MM)	1			AP
	YF1-58419-86-10	.WASHER,ADJUSTING(1.175MM)	1			AP
	YF1-58419-86-20	.WASHER,ADJUSTING(1.200MM)	1			AP
	YF1-58419-86-30	.WASHER,ADJUSTING(1.225MM)	1			AP
	YF1-58419-86-40	.WASHER,ADJUSTING(1.250MM)	1			AP
	YF1-58419-86-50	.WASHER,ADJUSTING(1.275MM)	1			AP
	YF1-58419-86-60	.WASHER,ADJUSTING(1.300MM)	1			AP

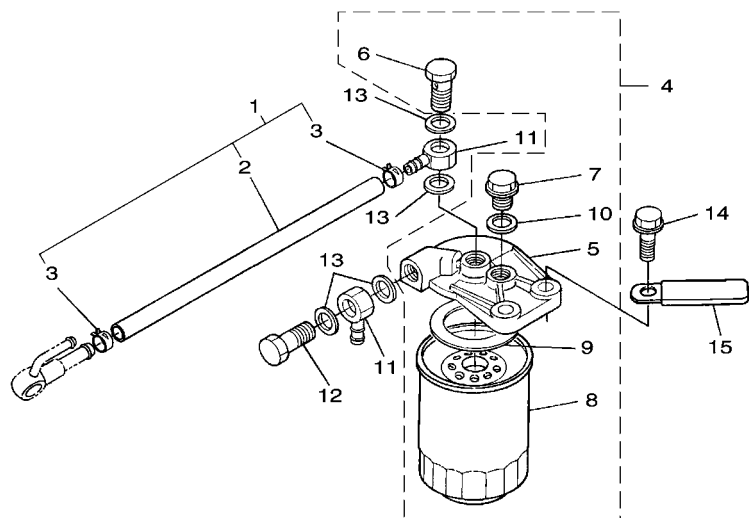



 Q9CK600-J130

FIG. 13 NOZZLE HOLDER ASSY

REF. NO.	PART NO.	DESCRIPTION	Q9CK			REMARKS
10	YF1-58419-86-70	.WASHER,ADJUSTING(1.325MM)	1			AP
	YF1-58419-86-80	.WASHER,ADJUSTING(1.350MM)	1			AP
	YF1-58419-86-90	.WASHER,ADJUSTING(1.375MM)	1			AP
	YF1-58419-87	.WASHER,ADJUSTING(1.400MM)	1			AP
	YF1-58419-87-10	.WASHER,ADJUSTING(1.425MM)	1			AP
	YF1-58419-87-20	.WASHER,ADJUSTING(1.450MM)	1			AP
	YF1-58419-87-30	.WASHER,ADJUSTING(1.475MM)	1			AP
	YF1-58419-87-40	.WASHER,ADJUSTING(1.500MM)	1			AP
	YF1-58419-87-50	.WASHER,ADJUSTING(1.525MM)	1			AP
	YF1-58419-87-60	.WASHER,ADJUSTING(1.550MM)	1			AP
	YF1-58419-87-70	.WASHER,ADJUSTING(1.575MM)	1			AP
	YF1-58419-87-80	.WASHER,ADJUSTING(1.600MM)	1			AP
	YF1-58419-87-90	.WASHER,ADJUSTING(1.625MM)	1			AP
	YF1-58419-88	.WASHER,ADJUSTING(1.650MM)	1			AP
	YF1-58419-88-10	.WASHER,ADJUSTING(1.675MM)	1			AP
	YF1-58419-88-20	.WASHER,ADJUSTING(1.700MM)	1			AP
	YF1-58419-88-30	.WASHER,ADJUSTING(1.725MM)	1			AP
	YF1-58419-88-40	.WASHER,ADJUSTING(1.750MM)	1			AP
	YF1-58419-88-50	.WASHER,ADJUSTING(1.775MM)	1			AP
	YF1-58419-88-60	.WASHER,ADJUSTING(1.800MM)	1			AP
	YF1-58419-88-70	.WASHER,ADJUSTING(1.825MM)	1			AP
	YF1-58419-88-80	.WASHER,ADJUSTING(1.850MM)	1			AP
	YF1-58419-88-90	.WASHER,ADJUSTING(1.875MM)	1			AP
	YF1-58419-89	.WASHER,ADJUSTING(1.900MM)	1			AP
	YF1-58419-89-10	.WASHER,ADJUSTING(1.925MM)	1			AP
	YF1-58419-89-20	.WASHER,ADJUSTING(1.950MM)	1			AP

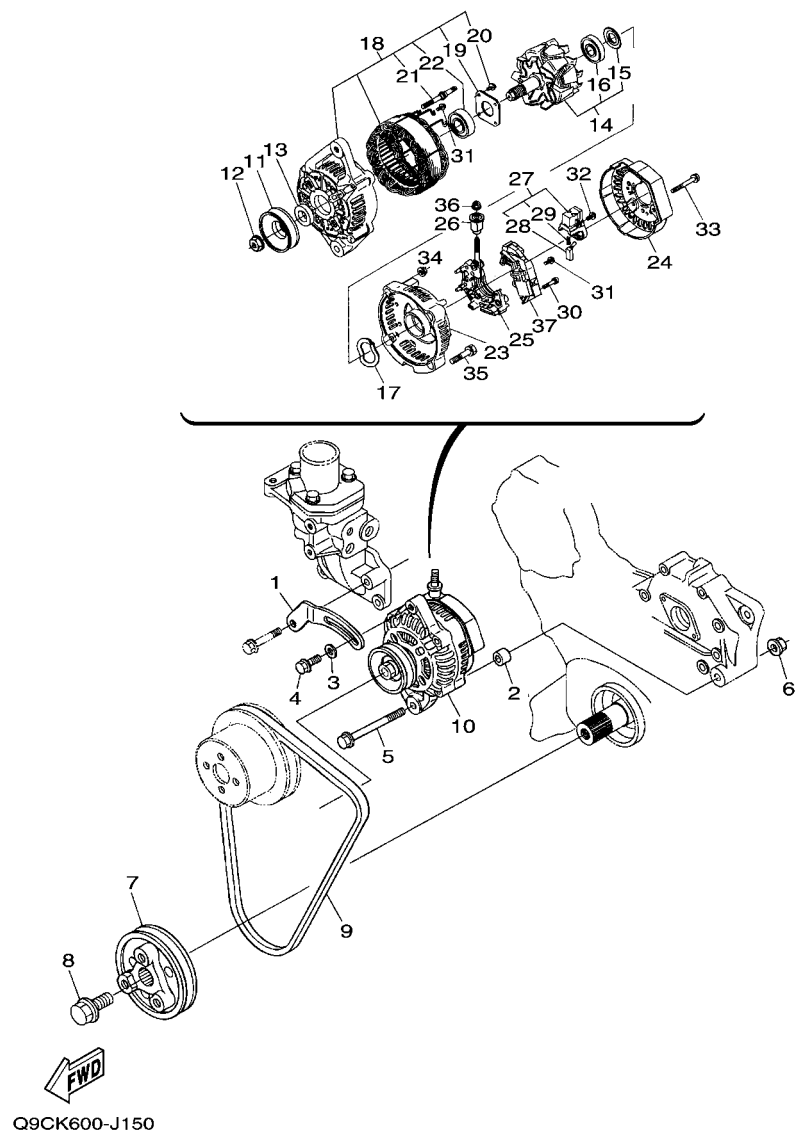
FIG. 14 FUEL FILTER



REF. NO.	PART NO.	DESCRIPTION	Q9CK				REMARKS
1	YF1-C0104-20-12	ASSY TUBE,FUEL	1				
2	YF0-96617-03-60	.TUBE,FUEL	1				
3	YF1-49114-27-50	.PIPE CLIP	2				
4	YF1-G5184-30-10	ASSY FILTER,FUEL	1				
5	YF1-65414-32-10	.COVER	1				
6	YF1-65419-57-90	.BOLT,JOINT	1				
7	YF1-90774-32-80	.PLUG	1				
8	YF1-66314-35-60	.ELEMENT,FUEL FILTER	1				
9	YF1-65414-33-30	.GASKET	1				
10	YF1-71053-36-80	.GASKET	1				
11	YF1-54019-56-90	JOINT,EYE	2				
12	YF1-65419-57-90	BOLT,JOINT	1				
13	YF1-71053-36-80	GASKET	4				
14	YF0-17745-10-30	BOLT,FLANGE	2				
15	YF3-71503-44-60	CLAMP,CORD	1				

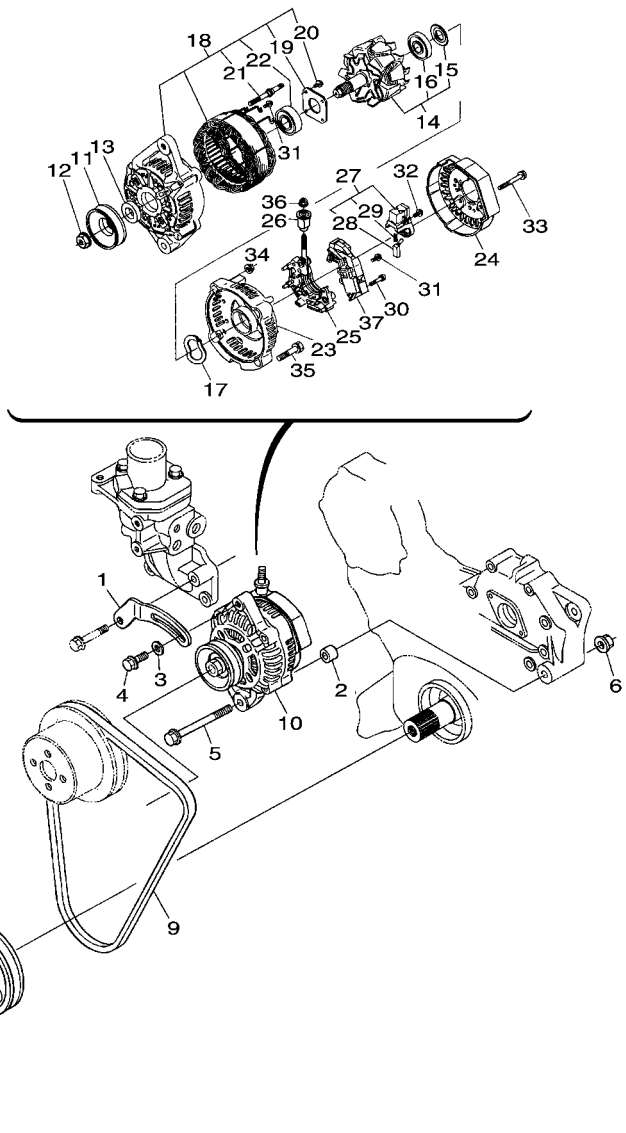

Q9CK600-J140

FIG. 15 GENERATOR 1



Q9CK600-J150

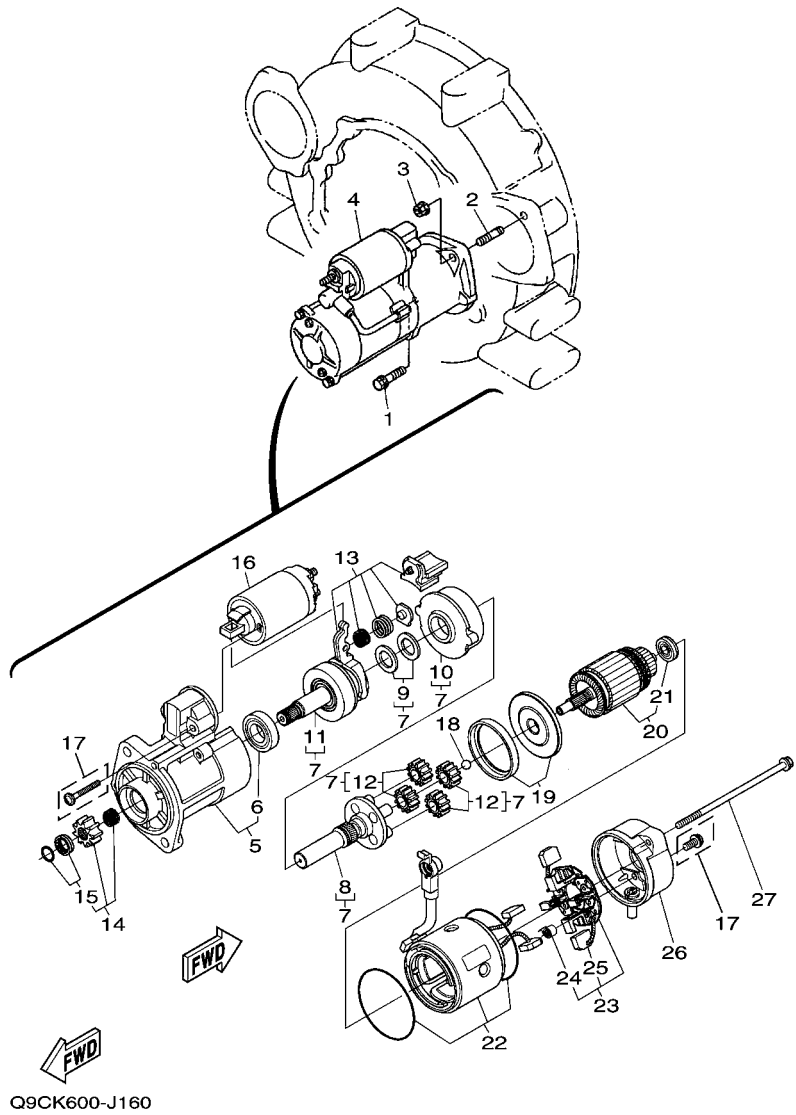
REF. NO.	PART NO.	DESCRIPTION	Q9CK				REMARKS
1	YF1-G5186-44-20	STAY,DYNAMO	1				
2	YF1-G5186-44-30	COLLAR,DYNAMO STAY	1				
3	YF0-40156-00-80	WASHER,PLATE	1				
4	YF0-17545-08-25	BOLT,FLANGE	1				
5	YF0-17745-10-80	BOLT,FLANGE	1				
6	YF0-27716-01	NUT	1				
7	YF1-C0107-42-82	PULLEY,FAN DRIVE	1				
8	YF1-J7009-10-10	BOLT	1				
9	YF1-C0109-70-10	BELT,V	1				
10	YF1-G8826-40-13	ASSY ALTERNATOR (12V 40A)	1				
11	YF1-64276-41-10	.PULLEY,ALTERNATOR	1				
12	YF1-58819-20-10	.NUT	1				
13	YF1-58816-41-50	.COLLAR	1				
14	YF6-64366-40-40	.ROTOR	1				
15	YF1-58816-48	..BEARING COVER	1				
16	YF1-66526-47-70	..BALL BEARING	1				
17	YF1-58816-48-10	.WASHER,THRUST	1				
18	YF6-64366-40-20	.DRIVE END FLAME	1				
19	YF1-58816-47-10	..RETAINER PLATE	1				
20	YF1-58819-30-10	..SCREW,ROUND HEAD	4				
21	YF1-58816-42-60	..THROUGH BOLT	2				
22	YF1-66526-47-80	..BALL BEARING	1				
23	YF1-62416-40-60	.FRAME,END	1				
24	YF1-66786-42-30	.COVER(END)	1				
25	YF1-58816-48-50	.RECTIFIER ASSY	1				
26	YF1-58816-49	..INSULATION BUSHING	1				
27	YF1-66526-43-10	.BRUSH HOLDER	1				



Q9CK600-J150

FIG. 15 GENERATOR 1

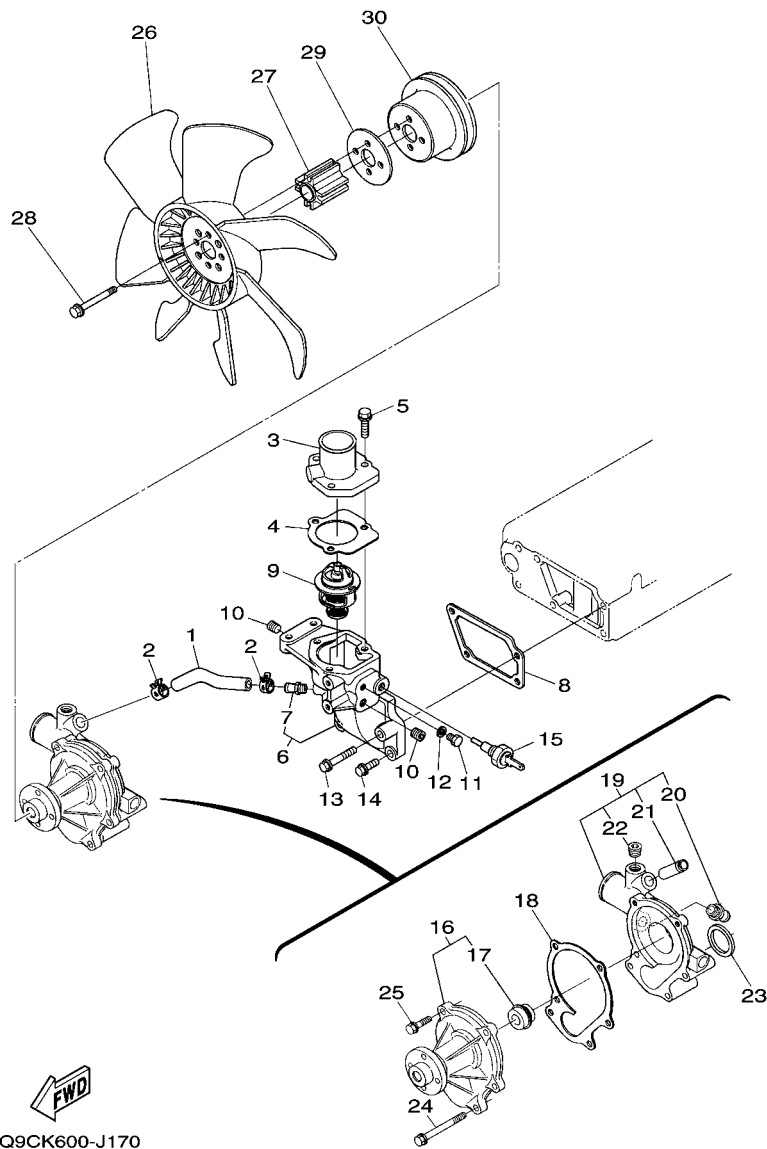
REF. NO.	PART NO.	DESCRIPTION	Q9CK				REMARKS
28	YF1-58816-40-90	..BRUSH	2				
29	YF1-58816-43-30	..BRUSH SPRING	2				
30	YF1-58819-30-20	..SCREW,ROUND HEAD	2				
31	YF1-58819-30-30	..SCREW,ROUND HEAD	6				
32	YF1-58819-30-40	..SCREW,ROUND HEAD	1				
33	YF1-58819-10-40	..BOLT	3				
34	YF1-58819-20-20	..NUT	2				
35	YF1-58819-10-50	..BOLT	2				
36	YF1-41829-20-30	..NUT (7NT1)	1				
37	YF1-K5746-46	..REGULATOR ASSY	1				



Q9CK600-J160

FIG. 16 STARTING MOTOR

REF. NO.	PART NO.	DESCRIPTION	Q9CK				REMARKS
1	YF0-17745-10-35	BOLT,FLANGE	1				
2	YF0-15176-10-30	STUD (EDL6500)	1				
3	YF0-27716-01	NUT	1				
4	YF1-C0106-30-10	ASSY STARTER (12V 2.5KW)	1				
5	YF1-C0106-30-30	.ASSY BRACKET,FRONT	1				
6	YF1-C0106-32-40	..SET,BEARING	1				
7	YF1-C0106-30-40	.ASSY SHAFT,CLUTCH	1				
8	YF1-C0106-32-10	..ASSY SHAFT,GEAR	1				
9	YF1-C0106-34-10	..SET,WASHER	1				
10	YF1-C0106-32-60	..SET,INTERNAL GEAR	1				
11	YF1-C0106-33-30	..CLUTCH,OVER RUNNING	1				
12	YF1-C0106-32-70	..ASSY GEAR	4				
13	YF1-C0106-30-50	.ASSY LEVER,SET	1				
14	YF1-C0106-32-80	.SET PINION	1				
15	YF1-C0106-31-70	..SET,STOPPER	1				
16	YF1-C0106-30-20	.ASSY SWITCH,MAGNETIC	1				
17	YF1-C0106-37-60	.SET,SCREW	1				
18	YF6-C0408-26-90	.BALL	1				
19	YF1-C0106-35-20	.SET,PACKING	1				
20	YF1-C0106-30-70	.ASSY ARMATURE	1				
21	YF1-C0106-32-50	..BEARING	1				
22	YF1-C0106-30-80	.ASSY YOKE	1				
23	YF1-C0106-33-80	.ASSY HOLDER,BRUSH	1				
24	YF1-C0106-33-90	..BRUSH,SPRING	4				
25	YF1-C0106-33-70	..BRUSH	2				
26	YF1-C0106-32	.ASSY BRACKET,REAR	1				
27	YF1-C0106-33-20	.SET,BOLT	1				



Q9CK600-J170

FIG. 17 WATER PUMP

REF. NO.	PART NO.	DESCRIPTION	Q9CK				REMARKS
1	YF1-C0107-33-52	PIPE,WATER RETURN	1				
2	YF0-93188-82	CLAMP,HOSE	2				
3	YF1-C0207-32-60	COVER,THERMOSTAT	1				
4	YF1-C0207-32-72	GASKET	1				
5	YF0-17545-08-25	BOLT,FLANGE	3				
6	YF1-C0117-27-06	COMP.FLANGE,WATER	1				
7	YF1-C0103-71-14	.JOINT,WATER PIPE	1				
8	YF1-C0107-28-20	GASKET,WATER FLANGE	1				
9	YF1-C0117-30-10	ASSY THERMOSTAT	1				
10	YF1-62419-60-20	PLUG	2				
11	YF1-51093-36-30	PLUG,DRAIN	1				
12	YF1-51093-36-60	GASKET	1				
13	YF0-17545-08-50	BOLT, COVER HEAD	1				
14	YF0-17545-08-25	BOLT,FLANGE	3				
15	YF1-55438-30-40	SWITCH, THERMO	1				
16	YF1-C0107-30-32	ASSY PUMP,WATER	1				
17	YF1-G6427-30-50	.MECHANICAL SEAL ASSY	1				
18	YF1-C0107-34-30	GASKET,WATER PUMP	1				
19	YF1-C0107-30-68	ASSY SUPPORT W/P	1				
20	YF1-C0103-71-14	.JOINT,WATER PIPE	1				
21	YF1-62410-55-50	.BREATHER PIPE FRANGE	1				
22	YF1-62419-60-20	.PLUG	1				
23	YF1-J5507-37-60	GASKET,WATER PUMP SUPPORT	1				
24	YF0-17545-08-80	BOLT,FLANGE	4				
25	YF0-17545-08-30	BOLT	2				
26	YF1-G2977-41-10	FAN	1				
27	YF3-G7001-62-20	FLANGE,FAN	1				

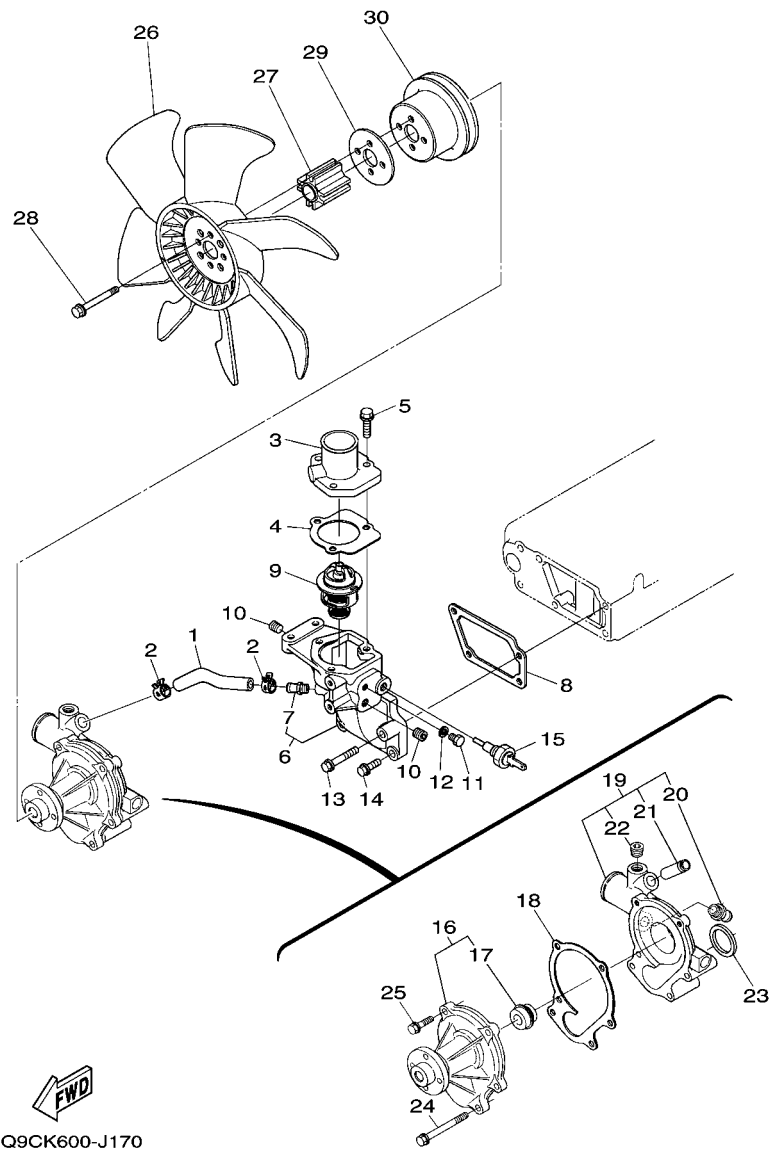
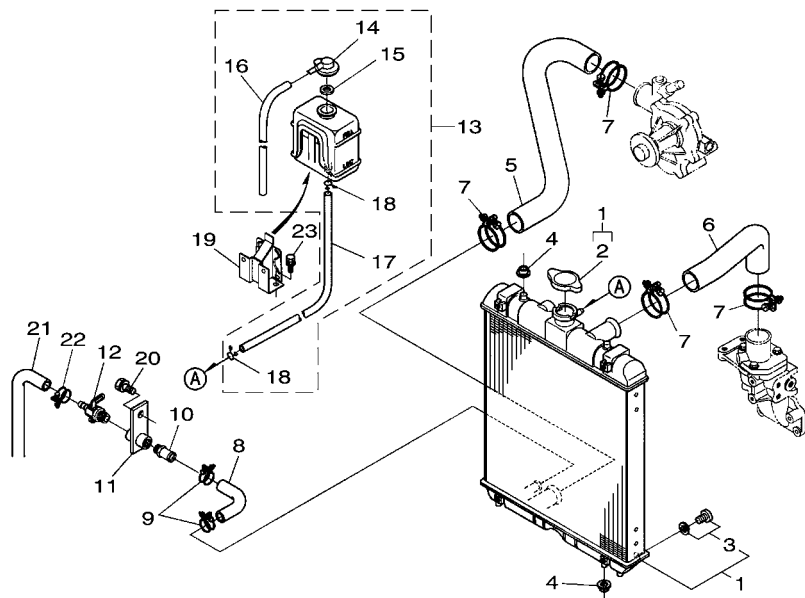


FIG. 17 WATER PUMP

REF. NO.	PART NO.	DESCRIPTION	Q9CK				REMARKS
28	YF0-17545-08-80	BOLT,FLANGE	4				
29	YF3-A1111-62-30	WASHER,FAN	1				
30	YF1-C0107-42-50	PULLEY,FAN	1				

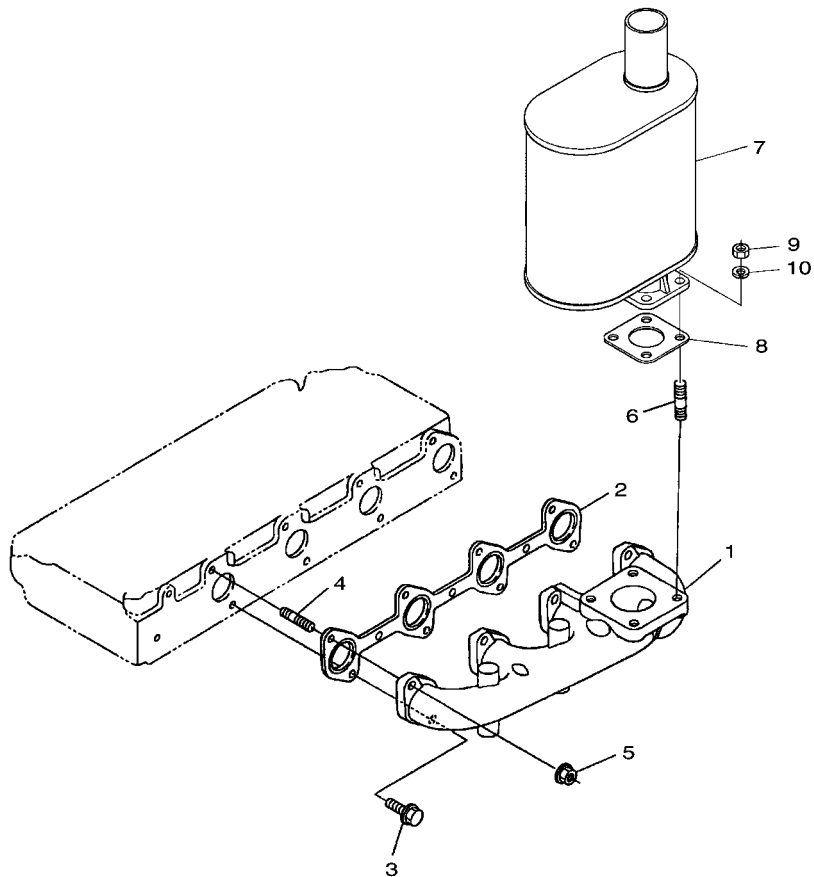
FIG. 18 RADIATOR & HOSE



REF. NO.	PART NO.	DESCRIPTION	Q9CK				REMARKS
1	YF3-G7001-71	ASSY RADIATOR	1				
2	YF3-A1111-71-10	.ASSY CAP,RADIATOR	1				
3	YF3-A1111-71-30	.ASSY PLUG,RADIATOR	1				
4	YF3-40701-60-30	RUBBER(RADIATOR MOUNT)	4				
5	YF1-G5187-28-50	HOSE,WATER LOWER	1				
6	YF1-G5187-29-40	HOSE,WATER UPPER	1				
7	YF0-93188-90-58	CLAMP,HOSE	4				
8	YF1-G5187-33-50	HOSE,DRAIN	1				
9	YF0-93188-90-24	CLAMP,HOSE	2				
10	YF1-C0103-71-14	JOINT,WATER PIPE	1				
11	YF1-G5187-31-70	JOINT,WATER DRAIN	1				
12	YF1-51934-13-80	COCK,FUEL	1				
13	YF1-73557-23-80	ASSY TANK,RESERVE	1				
14	YF1-52727-24-20	.CAP	1				
15	YF1-55317-24-32	.PACKING	1				
16	YF6-81114-23-90	.PIPE,WATER OVER FLOW	1				
17	YF1-73257-24-40	.PIPE,WATER OVER FLOW	1				
18	YF1-55017-24-70	.CLIP,PIPE	2				
19	YF1-55277-24-62	STAY,RESERVE TANK	1				
20	YF0-11235-08-20	BOLT	1				
21	YFG-37837-31-30	TUBE,WATER DRAIN	1				
22	YFG-37007-31-40	CLAMP,TUBE	1				
23	YFG-37839-11-50	BOLT	2				


Q9CK600-J180

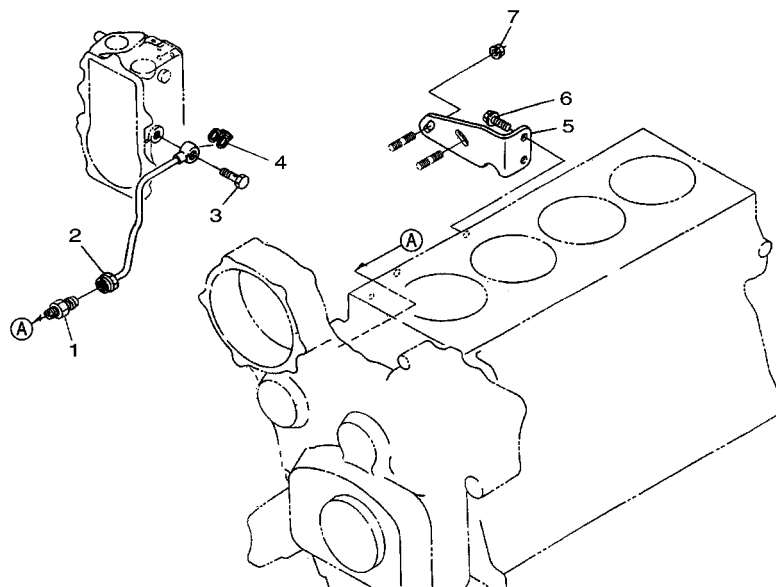
FIG. 20 EXHAUST



REF. NO.	PART NO.	DESCRIPTION	Q9CK				REMARKS
1	YF1-C0101-23-10	MANIFOLD,EXHAUST	1				
2	YF1-C0101-23-52	GASKET,EX-MANIFOLD	1				
3	YF0-17545-08-20	BOLT	4				
4	YF1-52219-15-30	STUD	4				
5	YF0-27515-00-80	NUT, FLANGE (EDK8000TE)	4				
6	YF0-15176-10-30	STUD (EDL6500)	4				
7	YF1-G2971-21-20	COMP.MUFFLER	1				
8	YF1-92581-22-30	GASKET,MUFFLER NA	1				
9	YF0-21765-01	NUT	4				
10	YF0-45126-01	WASHER SPRING	4				


 Q9CK600-J200

FIG. 22 LUBRICATION



REF. NO.	PART NO.	DESCRIPTION	Q9CK				REMARKS
1	YF1-57073-33-60	JOINT,UNION	1				
2	YF1-C0103-33-20	ASSY PIPE,I.P OIL	1				
3	YF1-62419-58-03	BOLT,EYE JOINT	1				
4	YF1-G7779-66-50	GASKET	1				
5	YF1-C0105-16-20	BRACKET,PUMP	1				
6	YF0-17555-08-14	BOLT,FLANGE	2				
7	YF0-27515-00-80	NUT, FLANGE (EDK8000TE)	2				


 Q9CK600-J220



Q9CK600-J230

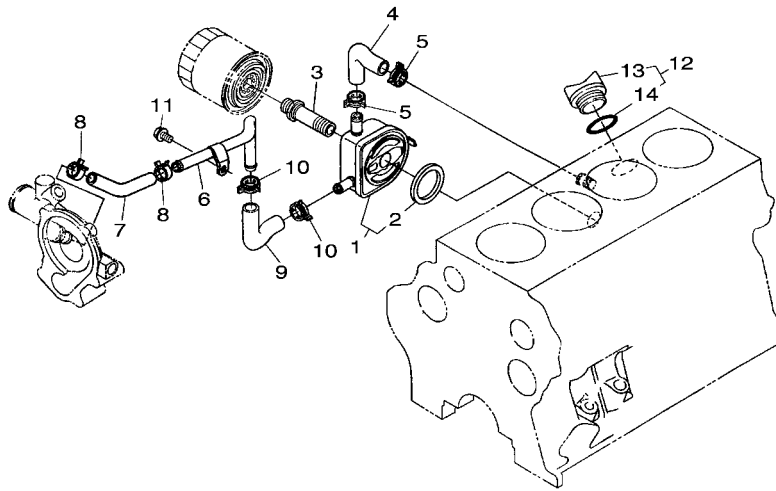
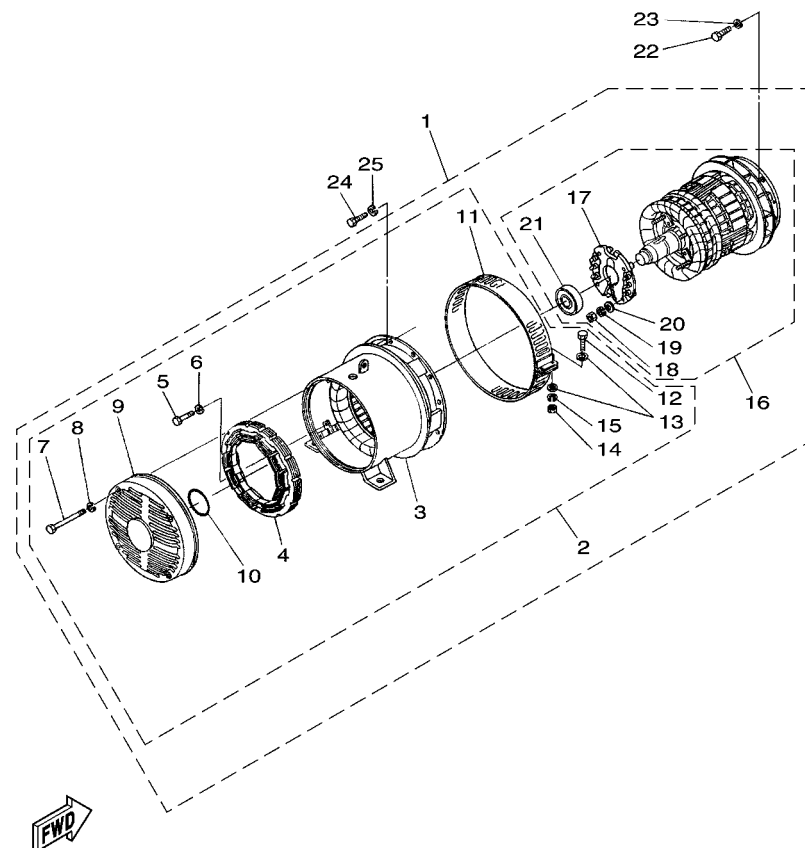


FIG. 23 OIL COOLER

REF. NO.	PART NO.	DESCRIPTION	Q9CK				REMARKS
1	YF1-C0103-70-10	ASSY COOLER,OIL	1				
2	YF1-54843-70-70	.GASKET,OIL COOLER	1				
3	YF1-J5503-22-90	JOINT	1				
4	YF1-C0103-71-50	PIPE,OIL COOLER	1				
5	YF0-93188-82	CLAMP,HOSE	2				
6	YF1-C0103-71-60	PIPE,OIL COLLER	1				
7	YF1-C0103-71-72	PIPE,OIL COLLER	1				
8	YF0-93188-82	CLAMP,HOSE	2				
9	YF1-C0103-71-82	PIPE,OIL COLLER	1				
10	YF0-93188-82	CLAMP,HOSE	2				
11	YF0-17545-08-14	BOLT, FLANGE (EDK10)	1				
12	YF1-C0103-30-80	ASSY PLUG,O/FILLER	1				
13	YFE-91513-31-40	.PLUG(FUEL FEED)	1				
14	YF0-48175-03	.O RING	1				

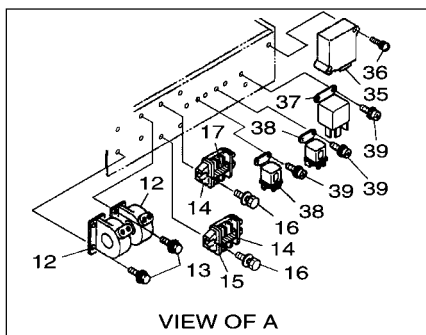
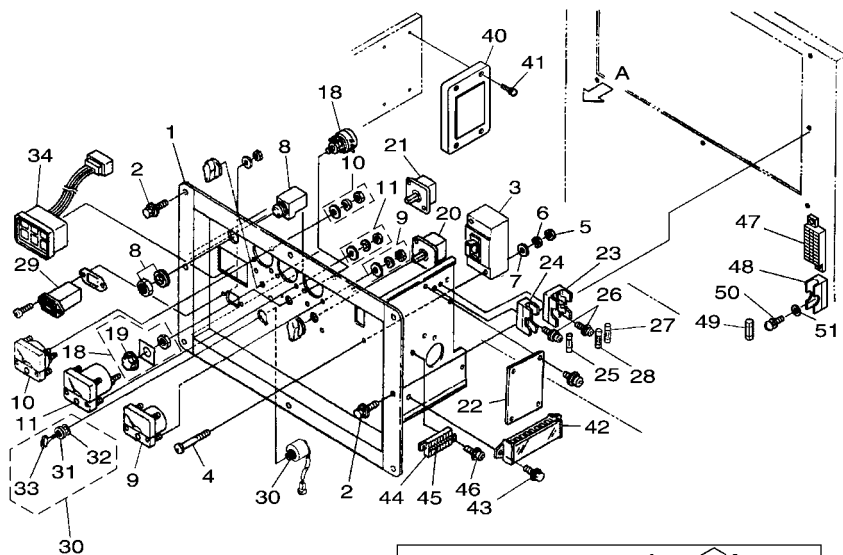
FIG. 25 GENERATOR 2



Q9CK600-J250

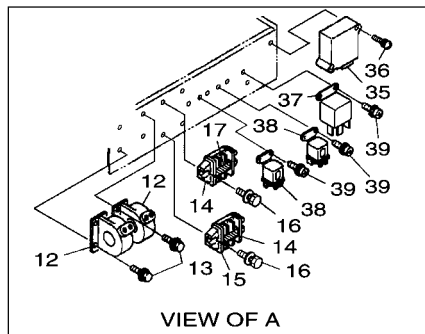
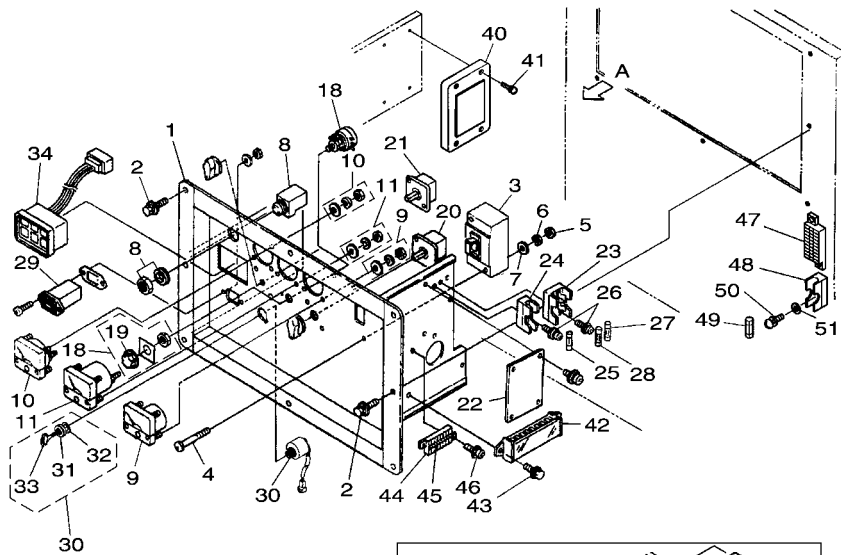
REF. NO.	PART NO.	DESCRIPTION	Q9CK				REMARKS
1	YFG-38200-21	ASSY GENERATOR	1				
2	YFG-38200-24	..ASSY STATOR	1				
3	YFG-38200-24-10	..COMP.STATOR	1				
4	YFG-38100-25-90	..ASSY COIL,EXCITER	1				
5	YFG-37039-10	..BOLT	4				
6	YFG-37039-11	..WASHER,SPRING	4				
7	YFG-37039-10-10	..BOLT	4				
8	YFG-37039-11-10	..WASHER,SPRING	4				
9	YFG-37030-26-10	..BRACKET,REAR	1				
10	YFG-37031-05-30	..O RING	1				
11	YFG-38200-24-50	..COVER,FAN	1				
12	YFG-37039-10	..BOLT	2				
13	YFG-37039-12	..WASHER,PLAIN	4				
14	YFG-37039-13	..NUT	2				
15	YFG-37039-11	..WASHER,SPRING	2				
16	YFG-38200-23	..ASSY ROTOR	1				
17	YFG-37030-26-52	..ASSY DIODE	1				
18	YFG-37039-13-10	..NUT	4				
19	YFG-37039-11	..WASHER,SPRING	4				
20	YFG-37039-12-10	..WASHER,PLAIN	4				
21	YFG-37032-62-90	..BEARING,BALL	1				
22	YFG-37839-10-70	BOLT	8				
23	YFG-37039-11-20	WASHER,SPRING	8				
24	YFG-37839-10-70	BOLT	12				
25	YFG-37039-11-20	WASHER,SPRING	12				

FIG. 26 ELECTRICAL 1




Q9CK600-J260

REF. NO.	PART NO.	DESCRIPTION	Q9CK				REMARKS
1	YF3-T3036-07-10	PLATE,PANEL	1				
2	YFG-37839-10-40	BOLT	8				
3	YFG-38000-37-10	BREAKER, AP	1				
4	YFG-37839-33-10	SCREW	2				
5	YFG-37839-20-10	NUT	2				
6	YFG-37839-40-70	WASHER,SPRING(M)	2				
7	YFG-37839-40-10	WASHER,PLAIN	4				
8	YFG-37000-39	LAMP,PILOT	1				
9	YFG-37000-36-90	METER,AMPERE	1				
10	YFG-37030-35-50	METER,VOLTAGE	1				
11	YFG-37000-36-10	METER,HZ	1				
12	YFG-38440-38-22	TRANSFORMER,CURRENT	2				
13	YFG-37839-30-10	SCREW	4				
14	YFG-38101-07-70	TERMINAL	2				
15	YFG-38108-84-40	LABEL,TERMINAL	1				
16	YFG-37839-30-30	SCREW	4				
17	YFG-38108-84-80	LABEL,TERMINAL SW	1				
18	YFG-38100-38-70	TRIMMER,HAND	1				
19	YFG-37830-43-30	.KNOB	1				
20	YFG-37000-38-80	SWITCH,A-CHANGE	1				
21	YFG-37000-38-90	SWITCH,V-CHANGE	1				
22	YFG-38100-28	REGULATOR,VOLTAGE	1				
23	YFG-38380-34-90	HOLDER,FUSE	1				
24	YFG-37030-35-30	HOLDER,FUSE	1				
25	YFG-38100-34-80	FUSE (3A)	1				
26	YFG-37839-30-20	SCREW	3				
27	YFG-37830-35-10	FUSE (3A)	1				



Q9CK600-J260

FIG. 26 ELECTRICAL 1

REF. NO.	PART NO.	DESCRIPTION	Q9CK				REMARKS
28	YFG-38100-34-60	FUSE (10A)	1				
29	YFG-37006-13-50	METER,HOUR	1				
30	YF3-74105-91-10	SWITCH,STARTER	1				
31	YF3-74105-51-80	.CAP,STARTER SWITCH	1				
32	YF6-64165-51-70	.WASHER	1				
33	YF3-74105-51-50	.KEY,STARTER	1				
34	YFG-36007-02	ASSY LAMP,COMBINA/T	1				
35	YF1-G8826-06	EMERGENCY UNIT	1				
36	YFG-37009-33-10	SCREW,WITH WASHER	2				
37	YF1-64156-56	RELAY,GLOW	1				
38	YF1-62596-02-50	ASSY RELAY	2				
39	YFG-37009-11-70	BOLT	6				
40	YFG-38100-39-20	CONTROLLER,RELAY	1				
41	YFG-37839-30-30	SCREW	4				
42	YFG-37033-07-50	BASE,TERMINAL	1				
43	YFG-37009-11-80	BOLT	2				
44	YFG-37001-07-40	BASE,TERMINAL	1				
45	YFG-38108-83-40	LABEL TERMINAL AVR	1				
46	YFG-37039-14-10	SCREW,WITH WASHER	2				
47	YFG-37830-34-10	TERMINAL	1				
48	YFG-37030-35-30	HOLDER,FUSE	1				
49	YFG-38100-34-80	FUSE (3A)	1				
50	YFG-37839-30-20	SCREW	1				
51	YFG-37839-40-60	WASHER,PLAIN	1				

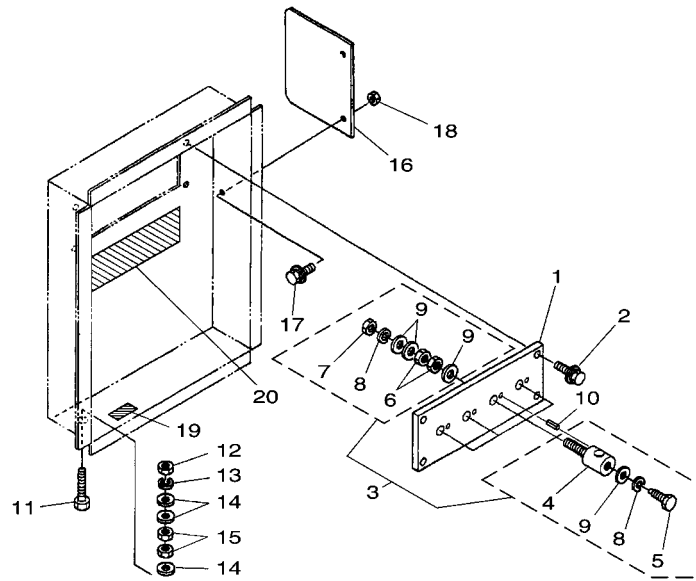
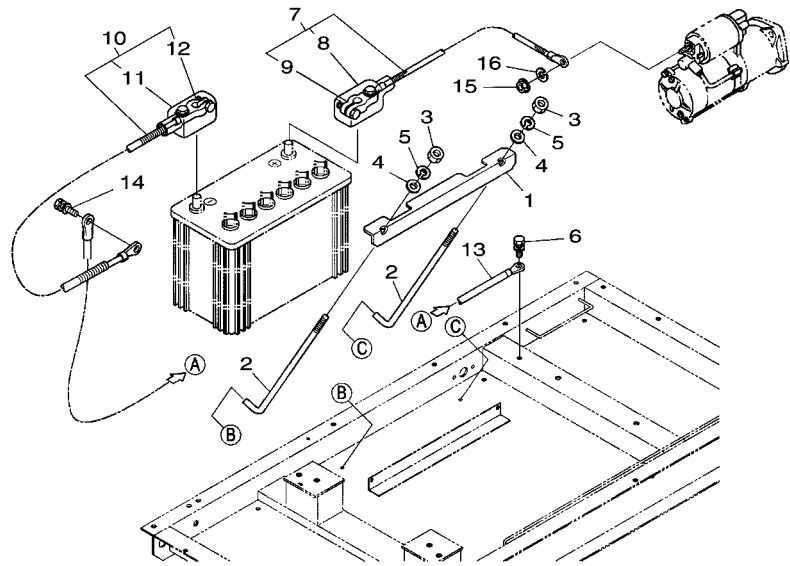


FIG. 27 ELECTRICAL 2

REF. NO.	PART NO.	DESCRIPTION	Q9CK				REMARKS
1	YFG-37400-32-40	PLATE,TERMINAL	1				
2	YFG-37839-11-40	BOLT	4				
3	YFG-37362-06	ASSY TERMINAL	4				
4	YFG-37362-06-20	.TERMINAL	4				
5	YFG-37369-12-20	.BOLT	4				
6	YFG-37369-20-10	.NUT	8				
7	YF0-20145-01	.NUT	4				
8	YF0-45126-01	.WASHER SPRING	8				
9	YFG-37369-40-30	.WASHER,PLAIN	16				
10	YF0-54110-03-16	PIN,SPRING	4				
11	YFG-37839-10-90	BOLT	1				
12	YFG-37839-20-20	NUT	1				
13	YFG-37039-11-20	WASHER,SPRING	1				
14	YFG-37839-40-20	WASHER,PLAIN	3				
15	YFG-37839-20-20	NUT	2				
16	YF4-43005-71	COVER,TERMINAL	1				
17	YFG-37009-11-80	BOLT	2				
18	YFG-37839-20-60	NUT	2				
19	YFG-37008-82-60	LABEL,EARTH	1				
20	YFG-37038-84-70	LABEL,TERMINAL.P	1				



Q9CK600-J270

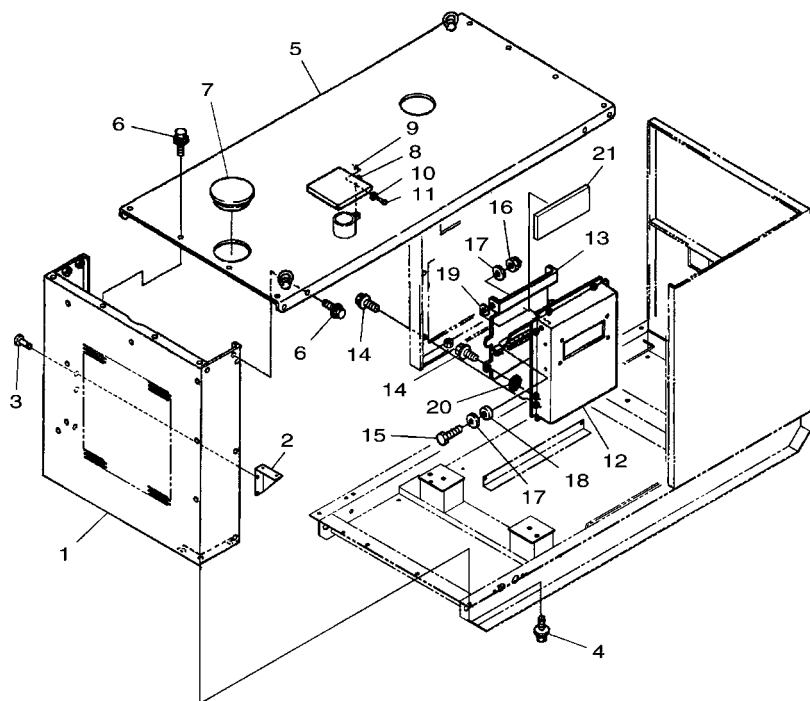



 Q9CK600-J290

FIG. 29 ELECTRICAL 4

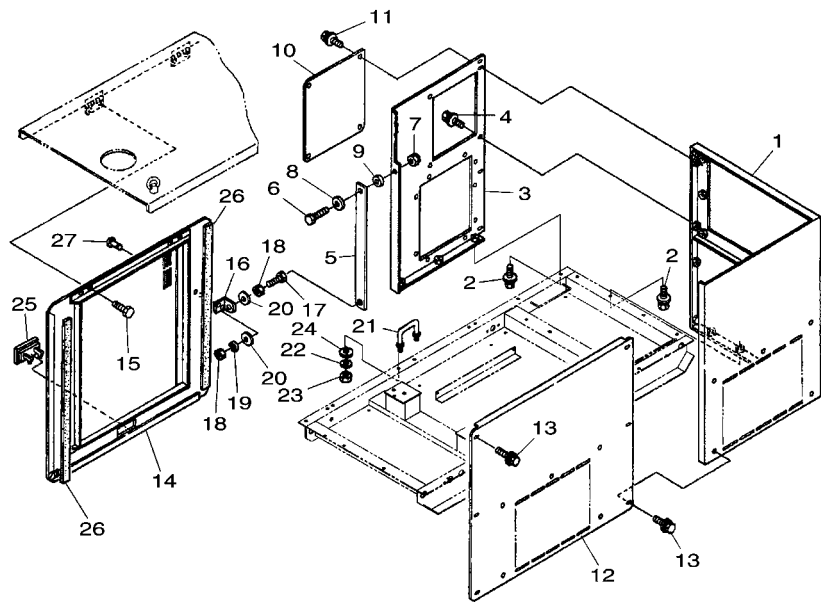
REF. NO.	PART NO.	DESCRIPTION	Q9CK				REMARKS
1	YF4-T3035-33	SUPPORT,BATTERY	1				
2	YF4-44000-24-10	HOOK BOLT,BATTERY	2				
3	YF1-NM6A7-00	NUT	2				
4	YFM-51663-4C-10	WASHER,PLAIN	2				
5	YFW-MS6A7-00	WASHER,SPRING	2				
6	YFG-37839-11-50	BOLT	1				
7	YFG-38204-17-20	ASSY CORD,BATTERY(+)	1				
8	YFG-37006-38-70	.COVER,BATTERY(RED)	1				
9	YFG-38106-51	.TERMINAL,BATTERY(+)	1				
10	YFG-38206-55-60	ASSY CORD,BATTERY(-)	1				
11	YFG-37006-38-80	.COVER,BATTERY(BLACK)	1				
12	YFG-38106-51-10	.TERMINAL,BATTERY(-)	1				
13	YFG-37836-79-10	WIRE HARNESS	1				
14	YFG-37839-10-60	BOLT	1				
15	YF0-21145-00-80	NUT	1				
16	YF0-45126-00-80	WASHER,SPRING	1				

FIG. 30 FRAME 2



REF. NO.	PART NO.	DESCRIPTION	Q9CK				REMARKS
1	YF3-T3035-24-50	COMP PLATE,FRONT	1				
2	YF3-34004-71	BRACKET,RESERVE TANK	1				
3	YFG-37009-48-70	RIVET	2				
4	YFG-37839-10-40	BOLT	6				
5	YFG-37833-05-30	PLATE,ROOF	1				
6	YFG-37839-10-10	BOLT	20				
7	YFG-37007-51-10	COVER,RADIATOR TOP	1				
8	YFG-37001-26-70	CAP,MUFFLER	1				
9	YFG-37009-48-10	PIN,SNAP	1				
10	YFG-37039-12-10	WASHER,PLAIN	2				
11	YF3-40704-42-40	PIN,JOINT	1				
12	YF3-43007-60	CASE,LOAD CENTER	1				
13	YF3-43005-91	COVER,LOAD CENTER	1				
14	YFG-37839-10-40	BOLT	8				
15	YFG-37839-10-80	BOLT	2				
16	YFG-37009-25	NUT,U	2				
17	YFG-37839-40-20	WASHER,PLAIN	4				
18	YFG-37009-66-50	RUBBER	2				
19	YFG-37009-40-10	WASHER,PLAIN	2				
20	YFG-37369-53-60	WASHER,LOCK	2				
21	YFG-38449-66-70	RUBBER,SEAT	1				

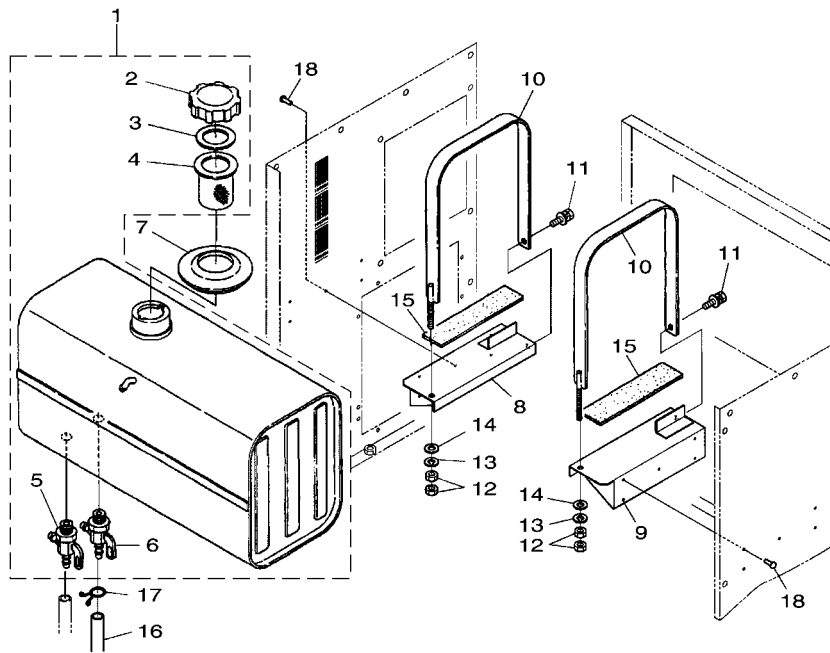

 Q9CK600-J300




 Q9CK600-J310

FIG. 31 FRAME 3

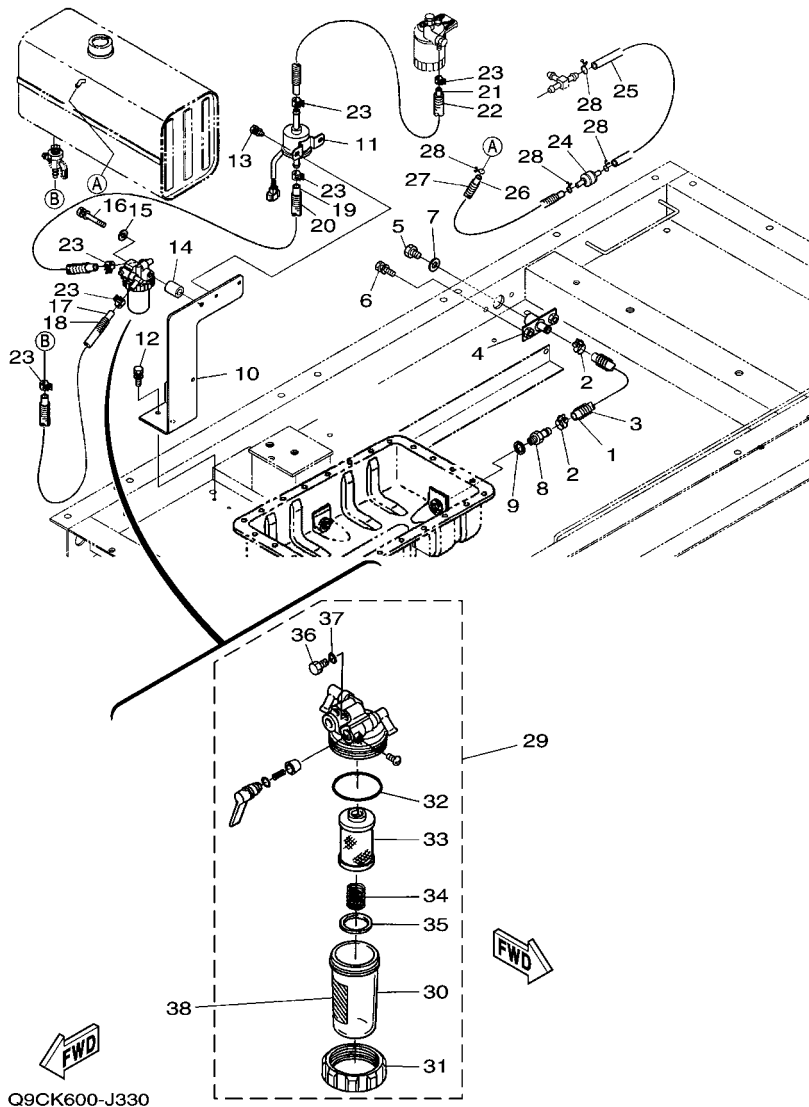
REF. NO.	PART NO.	DESCRIPTION	Q9CK				REMARKS
1	YF3-T3035-26-30	PLATE,REAR	1				
2	YFG-37839-10-10	BOLT	7				
3	YF3-T3035-27-40	PLATE,REAR SIDE	1				
4	YFG-37839-10-10	BOLT	5				
5	YF4-31002-81	ROD,DOOR STOPPER	1				
6	YFG-37839-10-80	BOLT	1				
7	YFG-37009-25	NUT,U	1				
8	YFG-37839-40-20	WASHER,PLAIN	2				
9	YFG-37009-66-50	RUBBER	1				
10	YF4-31003-61	COVER,AVR	2				
11	YFG-37839-10-10	BOLT	8				
12	YF3-T3035-29-20	PLATE	1				
13	YFG-37839-10-10	BOLT	6				
14	YF3-T3035-30-10	COMP DOOR,SIDE	1				
15	YFG-37839-10-30	BOLT	4				
16	YF4-31002-90	STOPPER,DOOR	1				
17	YFG-37839-11-20	BOLT	1				
18	YFG-37839-20-50	NUT	2				
19	YFG-37039-11	WASHER,SPRING	1				
20	YFG-37039-12-10	WASHER,PLAIN	2				
21	YFG-37003-00-90	HOOK,SIDE DOOR	1				
22	YFG-37039-11-10	WASHER,SPRING	1				
23	YFG-37039-13-10	NUT	2				
24	YFG-37839-40-40	WASHER,PLAIN	2				
25	YF5-K1906-13-61	ASSY HANDLE,LOCK	1				
26	YFG-37839-66-60	SEAL RUBBER,DOOR	2				
27	YFG-37009-48-70	RIVET	2				




 Q9CK600-J320

FIG. 32 FUEL 1

REF. NO.	PART NO.	DESCRIPTION	Q9CK			REMARKS
1	YF1-56284-10-15	ASSY TANK,FUEL	1			
2	YF1-11514-12-60	.CAP,FUEL TANK	1			
3	YF1-46814-13-40	.GASKET	1			
4	YF1-42614-13-50	.FILTER	1			
5	YF1-51934-13-80	.COCK,FUEL	1			
6	YF1-50003-43-90	.COCK, DRAIN (EDL6500)	1			
7	YF1-89013-02-70	FUEL TANK CAP SEAL	1			
8	YF3-T3036-16-20	BRACKET,TANK	1			
9	YF3-T3036-16-20	BRACKET,TANK	1			
10	YF3-34004-80	BAND,TANK	2			
11	YFG-37839-11-50	BOLT	2			
12	YFG-37839-20-50	NUT	4			
13	YFG-37039-11-10	WASHER,SPRING	2			
14	YFG-37839-40-40	WASHER,PLAIN	2			
15	YFG-37204-15-10	CUSHION,TANK	2			
16	YFG-37834-24-50	TUBE,FUEL DRAIN	1			
17	YF1-49114-27-50	PIPE CLIP	1			
18	YFG-37009-48-70	RIVET	10			

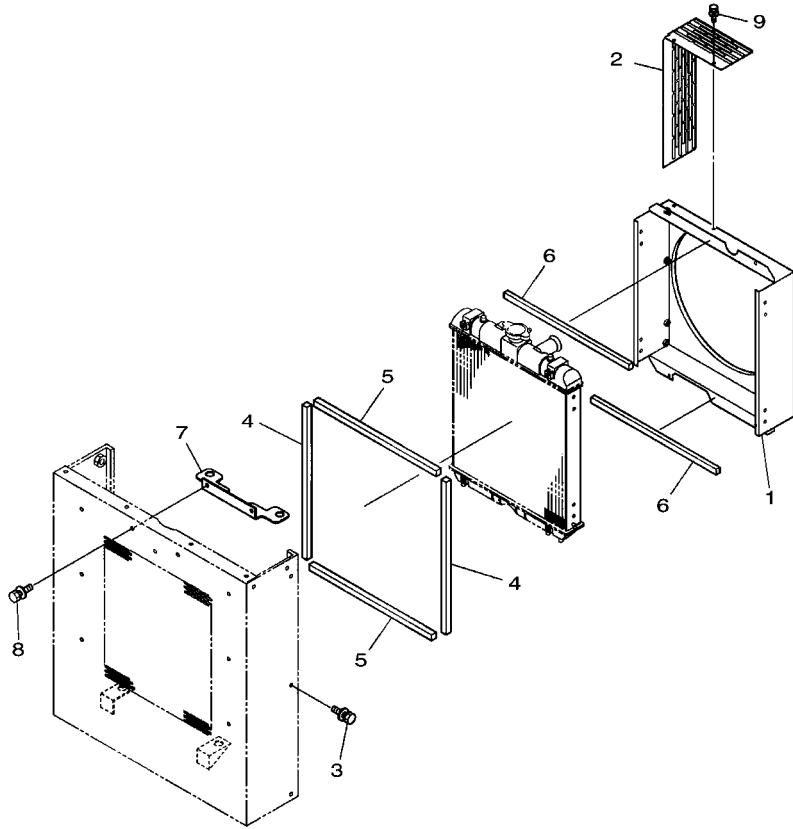


Q9CK600-J330

FIG. 33 FUEL 2

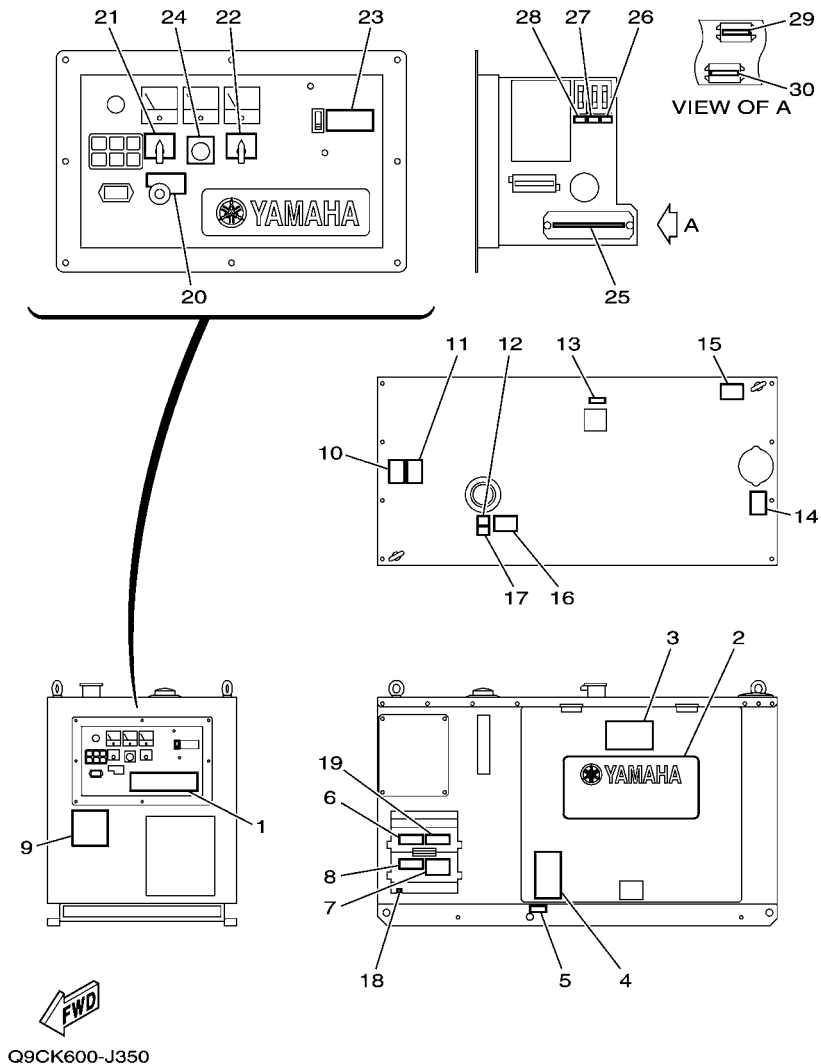
REF. NO.	PART NO.	DESCRIPTION	Q9CK				REMARKS
1	YF1-72663-32-10	PIPE,OIL DRAIN	1				
2	YF5-53648-17-40	BAND,PIPE	2				
3	YF1-71473-33-90	SPRING,OIL PIPE P/T	2				
4	YF1-G8823-37-40	JOINT,DRAIN PIPE	1				
5	YF1-52213-37-50	PLUG	1				
6	YFG-37839-10-30	BOLT	2				
7	YF6-C0905-89-60	GASKET(DRAIN OIL PAN)	1				
8	YF1-G5183-32-60	JOINT,OIL DRAIN	1				
9	YF1-54519-66-70	PACKING	1				
10	YF4-T3036-04-20	BRACKET,FILTER	1				
11	YFR-C6015-13-50	ASSY PUMP,FUEL	1				
12	YFG-37009-11-70	BOLT	2				
13	YFG-37009-11-70	BOLT	2				
14	YFG-37833-51-20	COLLAR,FILTER	1				
15	YFG-37839-40-40	WASHER,PLAIN	1				
16	YFG-37839-10-50	BOLT	1				
17	YF0-96618-15	TUBE,FUEL	1				
18	YFG-37836-75-70	TUBE,CORRUGATE	1				
19	YF0-96618-03-20	TUBE,FUEL	1				
20	YFG-37836-75-90	TUBE,CORRUGATE	1				
21	YF0-96618-06	TUBE,FUEL	1				
22	YFG-37834-54	TUBE,CORRUGATE	1				
23	YF1-49114-27-50	PIPE CLIP	6				
24	YF1-C0104-24-60	VALVE,FUEL CHECK	1				
25	YF0-96614-00-70	TUBE,FUEL	1				
26	YF0-96614-05-25	TUBE,FUEL	1				
27	YFG-37836-75-70	TUBE,CORRUGATE	1				

FIG. 34 FRAME 4




Q9CK600-J340

REF. NO.	PART NO.	DESCRIPTION	Q9CK			REMARKS
1	YF3-T3021-24-10	SHROUD,FAN	1			
2	YF3-T3018-49-10	COVER,FAN	1			
3	YFG-37009-11-70	BOLT	5			
4	YFG-37838-07	CUSHION	2			
5	YFG-38108-06-90	CUSHION,RADIATOR	2			
6	YFG-38108-07	CUSHION,SHROUD	2			
7	YF4-T3035-25	BRACKET,RADIATOR	1			
8	YFG-37839-10-30	BOLT	2			
9	YFG-37009-11-70	BOLT	5			



Q9CK600-J350

FIG. 35 LABELS

REF. NO.	PART NO.	DESCRIPTION	Q9CK				REMARKS
1	YF4-T5016-83	MARK (YAMAHA)	1				
2	YF4-T5016-87	MARK (EDL30000STE)	1				
3	YF3-T5016-91	LABEL,COVER OPEN	1				
4	YFG-38108-86-52	LABEL,OPERATION	1				
5	YFG-37008-85-91	LABEL,OIL DRAIN	1				
6	YFG-33418-83-01	LABEL,CAUTION	1				
7	YFG-33418-83-11	LABEL,CAUTION	1				
8	YFG-33418-89-51	LABEL,CAUTION (WIRING)	1				
9	YFG-37008-82-31	LABEL,INSTRUCTION	1				
10	YF3-T5016-92	LABEL,STARTER	1				
11	YFG-33418-82-41	LABEL,WARNING	1				
12	YF1-89015-09-02	LABEL,FUEL	1				
13	YF3-T5016-93	LABEL,HI-TEMP.	1				
14	YF3-T5016-94	LABEL,RADIATOR CAUT.	1				
15	YF3-T5016-95	LABEL,HOOK CAUTION	1				
16	YFG-33418-84-01	LABEL,WARNING (FUEL)	1				
17	YFG-37208-84-11	LABEL,FUEL TANK (60L)	1				
18	YF4-70008-10	LABEL,GROUND	1				
19	YFG-33418-82-21	LABEL,WARNING	1				
20	YFG-37008-85-21	LABEL,STARTER SWITCH	1				
21	YFG-37008-85-31	LABEL,VOLT.SW-CHANGE	1				
22	YFG-37008-85-41	LABEL,E/T.SW-CHANGE	1				
23	YFG-37008-80-41	LABEL,CAUTION BREAKER	1				
24	YF4-E5010-50	LABEL,OPERATION	1				
25	YFG-37008-84-91	LABEL,TERMINAL	1				
26	YF4-T5016-55	LABEL,FUSE 3A	1				
27	YF4-T5016-54	LABEL,FUSE 10A	1				

NUMERICAL INDEX

PART NO.	REF. NO.	PART NO.	REF. NO.	PART NO.	REF. NO.	PART NO.	REF. NO.	PART NO.	REF. NO.	PART NO.	REF. NO.
YF0-11235-08-20	18 - 20	YF0-27515-00-80	3 - 4	YFG-37008-85-21	35 - 20	YFG-37039-13	25 - 14	YFG-37839-11-20	31 - 17	YFG-38108-84-80	26 - 17
YF0-11355-12-25	21 - 12		10 - 13	YFG-37008-85-31	35 - 21	YFG-37039-13-10	25 - 18	YFG-37839-11-40	27 - 2	YFG-38108-86-52	35 - 4
YF1-11514-12-60	32 - 2		11 - 28	YFG-37008-85-41	35 - 22		31 - 23	YFG-37839-11-50	18 - 23	YFG-38200-21	25 - 1
YF0-13111-06-16	11 - 22		20 - 5	YFG-37008-85-91	35 - 5	YFG-37039-14-10	26 - 46		21 - 10	YFG-38200-23	25 - 16
YF0-15176-10-30	16 - 2		22 - 7	YFG-37009-11-10	24 - 5	YFG-37204-15-10	32 - 15		29 - 6	YFG-38200-24	25 - 2
	20 - 6	YF0-27615-00-40	12 - 19	YFG-37009-11-70	26 - 39	YFG-37208-84-11	35 - 17		32 - 11	YFG-38200-24-10	25 - 3
YF0-15185-08-20	11 - 60	YF0-27715-01-20	11 - 33		33 - 12	YFG-37362-06	27 - 3	YFG-37839-20-10	26 - 5	YFG-38200-24-50	25 - 11
YF0-17545-06-14	10 - 8	YF0-27716-01	15 - 6		33 - 13	YFG-37362-06-20	27 - 4	YFG-37839-20-20	27 - 12	YFG-38200-61-60	24 - 7
YF0-17545-06-18	11 - 62		16 - 3		34 - 3	YFG-37369-12-20	27 - 5		27 - 15	YFG-38204-17-20	29 - 7
YF0-17545-08-14	2 - 8	YF0-27765-01-40	10 - 12		34 - 9	YFG-37369-20-10	27 - 6	YFG-37839-20-30	24 - 8	YFG-38206-55-60	29 - 10
	3 - 2	YF5-27944-24-20	28 - 3	YFG-37009-11-80	26 - 43	YFG-37369-40-30	27 - 9	YFG-37839-20-40	24 - 6	YFG-38380-34-90	26 - 23
	7 - 11		28 - 4		27 - 17	YFG-37369-53-60	30 - 20	YFG-37839-20-50	31 - 18	YFG-38440-38-22	26 - 12
	10 - 5	YF0-30165-06-16	4 - 8	YFG-37009-25	30 - 16	YFG-37400-32-40	27 - 1		32 - 12	YFG-38449-66-70	30 - 21
	11 - 19		11 - 14		31 - 7	YFG-37830-34-10	26 - 47	YFG-37839-20-60	27 - 18	YF1-39019-10-20	11 - 17
	23 - 11	YF0-30245-05-20	12 - 16	YFG-37009-33-10	26 - 36	YFG-37830-35-10	26 - 27	YFG-37839-30-10	26 - 13	YF0-40136-00-50	11 - 52
YF0-17545-08-20	10 - 6	YF0-30545-04-08	5 - 3	YFG-37009-40-10	30 - 19	YFG-37830-38-10	28 - 1	YFG-37839-30-20	26 - 26	YF0-40156-00-80	15 - 3
	19 - 4	YF0-30545-05-08	5 - 8	YFG-37009-48-10	30 - 9	YFG-37830-43-30	26 - 19		26 - 50	YF3-40701-60-30	18 - 4
	20 - 3	YF4-31002-81	31 - 5	YFG-37009-48-70	30 - 3	YFG-37832-03	28 - 2	YFG-37839-30-30	26 - 16	YF3-40704-42-40	30 - 11
YF0-17545-08-25	11 - 27	YF4-31002-90	31 - 16		31 - 27	YFG-37833-05-30	30 - 5		26 - 41	YF1-41829-20-30	15 - 36
	15 - 4	YF4-31003-61	31 - 10		32 - 18	YFG-37833-05-52	24 - 1	YFG-37839-33-10	26 - 4	YF1-42614-13-50	32 - 4
	17 - 5	YFG-33418-82-21	35 - 19	YFG-37009-66-50	30 - 18	YFG-37833-51-20	33 - 14	YFG-37839-40-10	26 - 7	YF4-43005-71	27 - 16
	17 - 14	YFG-33418-82-41	35 - 11		31 - 9	YFG-37834-24-50	32 - 16	YFG-37839-40-20	27 - 14	YF3-43005-91	30 - 13
YF0-17545-08-30	4 - 16	YFG-33418-83-01	35 - 6	YFG-37030-26-10	25 - 9	YFG-37834-54	33 - 22		30 - 17	YF3-43007-60	30 - 12
	7 - 3	YFG-33418-83-11	35 - 7	YFG-37030-26-52	25 - 17	YFG-37836-75-70	33 - 18		31 - 8	YF1-43116-05-04	11 - 30
	17 - 25	YFG-33418-84-01	35 - 16	YFG-37030-35-30	26 - 24		33 - 27	YFG-37839-40-30	24 - 9	YF4-44000-24-10	29 - 2
YF0-17545-08-50	17 - 13	YFG-33418-89-51	35 - 8		26 - 48	YFG-37836-75-90	33 - 20	YFG-37839-40-40	31 - 24	YF0-45126-00-80	29 - 16
YF0-17545-08-55	7 - 16	YF4-34002-91	24 - 11	YFG-37030-35-50	26 - 10	YFG-37836-79-10	29 - 13		32 - 14	YF0-45126-01	20 - 10
YF0-17545-08-65	19 - 5	YF3-34004-71	30 - 2	YFG-37031-05-30	25 - 10	YFG-37837-31-30	18 - 21		33 - 15		27 - 8
YF0-17545-08-70	10 - 7	YF3-34004-80	32 - 10	YFG-37032-62-90	25 - 21	YFG-37838-07	34 - 4	YFG-37839-40-60	26 - 51	YF0-46110-03	8 - 4
YF0-17545-08-80	17 - 24	YF0-34105-08-08	3 - 28	YFG-37033-07-50	26 - 42	YFG-37839-10-10	30 - 6	YFG-37839-40-70	26 - 6	YF0-46120-01-60	3 - 32
	17 - 28	YFG-36007-02	26 - 34	YFG-37038-84-70	27 - 20		31 - 2	YFG-37839-40-80	24 - 10	YF0-46120-02	11 - 11
YF0-17555-08-14	22 - 6	YFG-37000-36-10	26 - 11	YFG-37039-10	25 - 5		31 - 4	YFG-37839-66-60	31 - 26	YF0-46135-00-30	11 - 55
YF0-17745-10-04	2 - 5	YFG-37000-36-90	26 - 9		25 - 12		31 - 11	YFG-38000-37-10	26 - 3	YF0-46135-00-40	11 - 53
YF0-17745-10-18	9 - 9	YFG-37000-38-80	26 - 20	YFG-37039-10-10	25 - 7		31 - 13	YFG-38100-25-90	25 - 4	YF0-46135-00-50	11 - 54
YF0-17745-10-30	1 - 22	YFG-37000-38-90	26 - 21	YFG-37039-11	25 - 6	YFG-37839-10-30	31 - 15	YFG-38100-28	26 - 22	YF0-46135-01-20	11 - 39
	14 - 14	YFG-37000-39	26 - 8		25 - 15		33 - 6	YFG-38100-34-60	26 - 28	YF1-46814-13-40	32 - 3
YF0-17745-10-35	16 - 1	YFG-37001-07-40	26 - 44		25 - 19		34 - 8	YFG-38100-34-80	26 - 25	YF0-48140-02	4 - 12
YF0-17745-10-60	3 - 40	YFG-37001-26-70	30 - 8		31 - 19	YFG-37839-10-40	26 - 2		26 - 49	YF0-48140-02-20	2 - 7
YF0-17745-10-80	15 - 5	YFG-37003-00-90	31 - 21	YFG-37039-11-10	25 - 8		30 - 4		28 - 5	YF0-48140-02-40	4 - 13
YF0-20145-01	27 - 7	YFG-37006-13-50	26 - 29		31 - 22		30 - 14	YFG-38100-38-70	26 - 18	YF0-48141-00-70	11 - 37
YF0-20565-00-60	11 - 65	YFG-37006-38-70	29 - 8		32 - 13	YFG-37839-10-50	33 - 16	YFG-38100-39-20	26 - 40		11 - 45
YF0-21145-00-80	29 - 15	YFG-37006-38-80	29 - 11	YFG-37039-11-20	25 - 23	YFG-37839-10-60	29 - 14	YFG-38101-07-70	26 - 14	YF0-48170-00-60	33 - 37
YF0-21765-01	20 - 9	YFG-37007-31-40	18 - 22		25 - 25	YFG-37839-10-70	25 - 22	YFG-38106-51	29 - 9	YF0-48175-03	1 - 27
YF1-22346-75-80	3 - 5	YFG-37007-51-10	30 - 7		27 - 13		25 - 24	YFG-38106-51-10	29 - 12		5 - 12
	19 - 6	YFG-37008-80-41	35 - 23	YFG-37039-12	25 - 13	YFG-37839-10-80	30 - 15	YFG-38108-06-90	34 - 5		23 - 14
YF1-23319-52-30	11 - 12	YFG-37008-82-31	35 - 9	YFG-37039-12-10	25 - 20		31 - 6	YFG-38108-07	34 - 6	YF1-49114-27-50	14 - 3
YF0-27515-00-60	11 - 85	YFG-37008-82-60	27 - 19		30 - 10	YFG-37839-10-90	27 - 11	YFG-38108-83-40	26 - 45		32 - 17
YF0-27515-00-80	1 - 31	YFG-37008-84-91	35 - 25		31 - 20	YFG-37839-11-10	24 - 4	YFG-38108-84-40	26 - 15		33 - 23

NUMERICAL INDEX

PART NO.	REF. NO.	PART NO.	REF. NO.	PART NO.	REF. NO.	PART NO.	REF. NO.	PART NO.	REF. NO.	PART NO.	REF. NO.
YF1-49714-27-50	12 - 4	YF1-54019-56-90	14 - 11	YF1-58419-60-20	3 - 24	YF1-58816-41-50	15 - 13	YF1-65514-21	11 - 29	YF5-97002-61-40	21 - 5
	12 - 22	YF1-54019-66-50	11 - 25	YF1-58419-81	13 - 10	YF1-58816-42-60	15 - 21	YF1-66314-35-60	14 - 8	YF5-98002-61-10	21 - 3
	12 - 25	YF0-54110-03-16	27 - 10	YF1-58419-85-10	13 - 10	YF1-58816-43-30	15 - 29	YF1-66526-43-10	15 - 27	YF1-A0215-41-20	11 - 68
	33 - 28	YF0-54110-04-16	11 - 43	YF1-58419-85-20	13 - 10	YF1-58816-47-10	15 - 19	YF1-66526-47-70	15 - 16	YF3-A1111-62-30	17 - 29
YF1-50003-43-90	32 - 6		11 - 48	YF1-58419-85-30	13 - 10	YF1-58816-48	15 - 15	YF1-66526-47-80	15 - 22	YF3-A1111-71-10	18 - 2
YF0-50120-05-12	11 - 7	YF0-54110-05-28	3 - 30	YF1-58419-85-40	13 - 10	YF1-58816-48-10	15 - 17	YF1-66786-42-30	15 - 24	YF3-A1111-71-30	18 - 3
YF0-50120-06-09	11 - 5	YF1-54519-66-70	33 - 9	YF1-58419-85-50	13 - 10	YF1-58816-48-50	15 - 25	YF1-66839-60-20	1 - 5	YF3-A1111-91	21 - 1
YF0-50120-06-14	10 - 4	YF1-54710-17-40	3 - 1	YF1-58419-85-60	13 - 10	YF1-58816-49	15 - 26	YF3-69190-45-90	21 - 8	YF3-A1111-91-30	21 - 2
YF0-50120-08-20	1 - 11	YF1-54712-51-62	9 - 3	YF1-58419-85-70	13 - 10	YF1-58819-10-40	15 - 33	YF4-70008-10	35 - 18	YFR-B1015-12-60	33 - 29
YF0-50120-10-16	1 - 12	YF1-54715-79-20	11 - 46	YF1-58419-85-80	13 - 10	YF1-58819-10-50	15 - 35	YF1-71053-36-80	14 - 10	YFR-B1015-12-70	33 - 30
YF1-50211-42-40	3 - 36	YF1-54719-15-30	11 - 4	YF1-58419-85-90	13 - 10	YF1-58819-20-10	15 - 12		14 - 13	YFR-B1015-12-80	33 - 33
	3 - 39	YF1-54843-70-70	23 - 2	YF1-58419-86	13 - 10	YF1-58819-20-20	15 - 34	YF1-71473-33-90	33 - 3	YF1-C0100-15-03	2 - 1
YF1-50213-36-60	1 - 18	YF1-55017-24-70	18 - 18	YF1-58419-86-10	13 - 10	YF1-58819-30-10	15 - 20	YF3-71503-44-60	14 - 15	YF1-C0100-34-50	3 - 25
	11 - 20	YF1-55211-42-30	3 - 35	YF1-58419-86-20	13 - 10	YF1-58819-30-20	15 - 30	YF1-72663-32-10	33 - 1	YF1-C0100-43	7 - 1
	11 - 76		3 - 38	YF1-58419-86-30	13 - 10	YF1-58819-30-30	15 - 31	YF1-73257-24-40	18 - 17	YF1-C0100-44-50	9 - 8
	11 - 80	YF1-55219-60-20	1 - 3	YF1-58419-86-40	13 - 10	YF1-58819-30-40	15 - 32	YF1-73557-23-80	18 - 13	YF1-C0100-44-60	7 - 2
YF1-51093-36-30	17 - 11		3 - 10	YF1-58419-86-50	13 - 10	YF1-62215-44-20	11 - 81	YF3-74105-51-50	26 - 33	YF1-C0100-45-60	1 - 15
YF1-51093-36-60	17 - 12	YF1-55277-24-62	18 - 19	YF1-58419-86-60	13 - 10	YF1-62410-55-50	5 - 4	YF3-74105-51-80	26 - 31	YF1-C0100-46-80	9 - 6
YF1-51261-10-90	21 - 6	YF1-55317-24-32	18 - 15	YF1-58419-86-70	13 - 10		17 - 21	YF3-74105-91-10	26 - 30	YF1-C0100-51-20	5 - 7
YFM-51663-4C-10	29 - 4	YF1-55438-30-40	17 - 15	YF1-58419-86-80	13 - 10		19 - 2	YF0-77150-16-05	7 - 7	YF1-C0100-52	5 - 6
YF1-51934-13-80	1 - 20	YF1-55711-17-20	21 - 9	YF1-58419-86-90	13 - 10	YF1-62413-35-10	5 - 15	YF0-77150-32-09	3 - 9	YF1-C0100-55-10	5 - 14
	18 - 12	YF1-56011-55-50	7 - 4	YF1-58419-87	13 - 10	YF1-62416-40-60	15 - 23	YF0-81010-62-03	11 - 10	YF1-C0101-17-70	19 - 1
	32 - 5	YF1-56019-66-50	11 - 73	YF1-58419-87-10	13 - 10	YF1-62419-58-03	22 - 3	YF6-81114-23-90	18 - 16	YF1-C0101-18-20	19 - 3
YF1-52210-33-70	3 - 7		11 - 78	YF1-58419-87-20	13 - 10	YF1-62419-60-20	17 - 10	YF6-84114-43-40	9 - 4	YF1-C0101-23-10	20 - 1
YF1-52210-33-80	1 - 7	YF1-56023-31-10	1 - 28	YF1-58419-87-30	13 - 10		17 - 22	YF1-89013-02-70	32 - 7	YF1-C0101-23-52	20 - 2
	1 - 8	YF1-56253-28-90	1 - 29	YF1-58419-87-40	13 - 10	YF1-62459-15-40	11 - 3	YF1-89015-09-02	35 - 12	YF1-C0101-31-13	3 - 13
	1 - 23	YF1-56284-10-15	32 - 1	YF1-58419-87-50	13 - 10	YF1-62596-02-50	26 - 38	YF1-90774-32-80	14 - 7	YF1-C0101-31-22	3 - 14
YF1-52210-33-90	1 - 9	YF1-57073-33-60	22 - 1	YF1-58419-87-60	13 - 10	YF1-62611-33-30	3 - 17	YF1-90775-36-50	12 - 9	YF1-C0101-31-50	3 - 21
YF1-52210-34-90	3 - 8	YF1-57073-37-50	2 - 2	YF1-58419-87-70	13 - 10	YF1-62611-35-40	3 - 11	YFE-91513-31-40	1 - 26	YF1-C0101-31-60	3 - 22
YF1-52211-32-40	3 - 16	YF0-57120-05-15	8 - 12	YF1-58419-87-80	13 - 10	YF1-62645-21-40	11 - 84		5 - 11	YF1-C0101-32-40	3 - 15
YF1-52211-32-80	3 - 43	YF0-57120-05-20	7 - 9	YF1-58419-87-90	13 - 10	YF1-62648-33-42	4 - 18		23 - 13	YF1-C0101-34-82	3 - 23
YF1-52211-33-30	3 - 18	YF1-58314-32-50	33 - 35	YF1-58419-88	13 - 10	YF1-62659-66-70	2 - 3	YF1-92581-22-30	20 - 8	YF1-C0101-34-90	3 - 42
YF1-52211-39-80	3 - 20	YF1-58314-39-30	33 - 34	YF1-58419-88-10	13 - 10		4 - 4	YF1-92809-10-10	11 - 64	YF1-C0101-35-60	3 - 12
YF1-52211-44-30	11 - 40	YF1-58318-74-62	33 - 38	YF1-58419-88-20	13 - 10	YF1-62714-35-70	33 - 32	YF0-93188-82	17 - 2	YF1-C0101-40-20	3 - 34
YF1-52213-36-10	1 - 17	YF1-58413-90-10	6 - 5	YF1-58419-88-30	13 - 10	YF1-62714-35-90	33 - 31		23 - 5	YF1-C0101-40-50	3 - 27
YF1-52213-36-50	1 - 13	YF1-58415-31-60	13 - 6	YF1-58419-88-40	13 - 10	YF1-62863-37-50	4 - 10		23 - 8	YF1-C0101-41-50	3 - 37
YF1-52213-37-50	33 - 5	YF1-58415-32-30	13 - 3	YF1-58419-88-50	13 - 10	YF0-63118-50-16	5 - 9		23 - 10	YF1-C0101-43-50	3 - 29
YF1-52215-62-80	11 - 49		13 - 10	YF1-58419-88-60	13 - 10	YF1-64156-55-12	12 - 17	YF0-93188-90-24	18 - 9	YF1-C0101-44-30	3 - 31
YF1-52219-15-30	1 - 30	YF1-58415-33-50	13 - 5	YF1-58419-88-70	13 - 10	YF1-64156-56	26 - 37	YF0-93188-90-58	18 - 7	YF1-C0101-45-06	5 - 1
	3 - 3	YF1-58415-36-22	12 - 8	YF1-58419-88-80	13 - 10	YF6-64165-51-70	26 - 32	YF0-96614-00-70	33 - 25	YF1-C0101-45-20	5 - 5
	20 - 4	YF1-58415-38-50	12 - 14	YF1-58419-88-90	13 - 10	YF1-64276-41-10	15 - 11	YF0-96614-01-70	12 - 3	YF1-C0101-51-10	7 - 5
YF1-52314-32-83	33 - 36	YF1-58415-38-60	12 - 15	YF1-58419-89	13 - 10	YF6-64366-40-20	15 - 18		12 - 24	YF1-C0101-60-12	7 - 6
YF1-52610-33-70	1 - 6	YF1-58415-42-20	11 - 79	YF1-58419-89-10	13 - 10	YF6-64366-40-40	15 - 14	YF0-96614-05-25	33 - 26	YF1-C0101-61-75	11 - 8
	1 - 16	YF1-58415-42-70	11 - 82	YF1-58419-89-20	13 - 10	YF1-64755-32-80	13 - 9	YF0-96614-05-75	12 - 21	YF1-C0101-62-10	11 - 15
YF1-52611-33-60	3 - 19	YF1-58419-20-20	11 - 69	YF1-58525-28-50	11 - 83	YF1-65414-32-10	14 - 5	YF0-96617-03-60	14 - 2	YF1-C0101-62-20	11 - 16
YF1-52619-20-20	11 - 75	YF1-58419-20-30	13 - 2	YF1-58529-23-30	11 - 72	YF1-65414-33-30	14 - 9	YF0-96618-03-20	33 - 19	YF1-C0101-62-70	7 - 10
YF1-52727-24-20	18 - 14	YF1-58419-40-40	13 - 7		11 - 77	YF1-65419-57-90	14 - 6	YF0-96618-06	33 - 21	YF1-C0101-65-12	7 - 8
YF5-53648-17-40	33 - 2	YF1-58419-60-20	1 - 2	YF1-58816-40-90	15 - 28		14 - 12	YF0-96618-15	33 - 17	YF1-C0102-13-10	8 - 3

NUMERICAL INDEX

PART NO.	REF. NO.	PART NO.	REF. NO.	PART NO.	REF. NO.	PART NO.	REF. NO.	PART NO.	REF. NO.	PART NO.	REF. NO.
YF1-C0102-19-80	8 - 6	YF1-C0105-11-80	10 - 3	YF1-C0106-35-20	16 - 19	YF1-C0202-39-20	8 - 14	YF1-G8826-40-13	15 - 10		
YF1-C0102-21-42	8 - 7	YF1-C0105-13-20	11 - 24	YF1-C0106-37-60	16 - 17	YF1-C0202-63-40	9 - 10	YF1-J5100-53-70	5 - 2		
YF1-C0102-33	8 - 10	YF1-C0105-16-20	22 - 5	YF1-C0106-55-60	12 - 18	YF1-C0203-24-30	6 - 1	YF1-J5503-22-90	23 - 3		
YF1-C0102-35-30	8 - 15	YF1-C0105-16-63	10 - 10	YF1-C0107-28-20	17 - 8	YF1-C0207-32-60	17 - 3	YF1-J5507-37-60	17 - 23		
YF1-C0102-35-40	8 - 16	YF1-C0105-21-10	11 - 26	YF1-C0107-30-32	17 - 16	YF1-C0207-32-72	17 - 4	YF1-J7009-10-10	15 - 8		
YF1-C0102-39-50	8 - 15	YF1-C0105-21-30	11 - 18	YF1-C0107-30-68	17 - 19	YF1-C0209-14-90	10 - 2	YF1-K0125-71-50	11 - 42		
YF1-C0102-39-60	8 - 15	YF1-C0105-30	12 - 7	YF1-C0107-33-52	17 - 1	YF1-C0255-16-50	10 - 9	YF5-K1906-13-61	31 - 25		
YF1-C0102-39-70	8 - 16		13 - 1	YF1-C0107-34-30	17 - 18	YF6-C0408-26-90	16 - 18	YF1-K5746-46	15 - 37		
YF1-C0102-39-80	8 - 16	YF1-C0105-31-70	13 - 4	YF1-C0107-42-50	17 - 30	YF6-C0905-89-60	33 - 7	YF1-K9165-01	11 - 1		
YF1-C0102-42-50	7 - 12	YF1-C0105-36-10	13 - 8	YF1-C0107-42-82	15 - 7	YFR-C6015-13-50	33 - 11	YFW-MS6A7-00	29 - 5		
YF1-C0102-43-60	7 - 14	YF1-C0105-37-10	12 - 10	YF1-C0109-10-20	5 - 13	YF4-E5010-50	35 - 24	YF1-NM6A7-00	29 - 3		
YF1-C0102-43-70	7 - 15	YF1-C0105-37-20	12 - 11	YF1-C0109-10-30	4 - 15	YF3-F7501-11-60	21 - 4	YF3-T3018-49-10	34 - 2		
YF1-C0102-45-20	7 - 13	YF1-C0105-37-30	12 - 12	YF1-C0109-10-40	4 - 17	YF1-G0315-42-10	11 - 67	YF3-T3019-94-10	24 - 2		
YF1-C0102-49-82	7 - 18	YF1-C0105-37-40	12 - 13	YF1-C0109-11	2 - 4		11 - 71		24 - 3		
	7 - 20	YF1-C0105-39	12 - 6	YF1-C0109-20-20	11 - 63	YF1-G0654-23-60	12 - 5	YF3-T3021-24-10	34 - 1		
YF1-C0102-50-10	9 - 1	YF1-C0105-41-20	11 - 70	YF1-C0109-45-10	11 - 50	YF1-G2971-16-20	21 - 7	YF3-T3035-24-50	30 - 1		
YF1-C0103-21-10	2 - 6	YF1-C0105-41-53	11 - 66	YF1-C0109-60-10	1 - 4	YF1-G2971-21-20	20 - 7	YF4-T3035-25	34 - 7		
YF1-C0103-30-80	1 - 25	YF1-C0105-51-40	11 - 6	YF1-C0109-60-20	4 - 9	YF1-G2975-64-11	11 - 57	YF3-T3035-26-30	31 - 1		
	5 - 10	YF1-C0105-57-70	11 - 61	YF1-C0109-61-60	1 - 10	YF1-G2977-41-10	17 - 26	YF3-T3035-27-40	31 - 3		
	23 - 12	YF1-C0105-60-23	11 - 36	YF1-C0109-70-10	15 - 9	YF1-G5130-30-20	3 - 6	YF3-T3035-29-20	31 - 2		
YF1-C0103-33-20	22 - 2	YF1-C0105-67-50	11 - 31	YF1-C0110-41-62	4 - 14	YF1-G5133-65-50	6 - 4	YF3-T3035-30-10	31 - 14		
YF1-C0103-36-40	1 - 14	YF1-C0105-75-12	11 - 41	YF1-C0112-10-50	8 - 2	YF1-G5165-60-32	11 - 51	YF4-T3035-33	29 - 1		
YF1-C0103-36-50	1 - 24	YF1-C0105-76-20	11 - 47	YF1-C0112-10-90	8 - 2	YF1-G5175-10-12	11 - 23	YF4-T3035-42-10	21 - 11		
YF1-C0103-50-70	4 - 6	YF1-C0105-77	11 - 44	YF1-C0112-11-13	8 - 1	YF1-G5175-50-53	11 - 32	YF4-T3036-04-20	33 - 10		
YF1-C0103-51-30	4 - 7	YF1-C0105-79-20	11 - 59	YF1-C0112-19-13	8 - 1	YF1-G5175-54-53	11 - 34	YF3-T3036-07-10	26 - 1		
YF1-C0103-56-30	8 - 13	YF1-C0106-00-15	11 - 21	YF1-C0112-30-10	8 - 9	YF1-G5175-61-50	11 - 56	YF3-T3036-16-20	32 - 8		
YF1-C0103-64-12	6 - 2	YF1-C0106-01-53	11 - 38	YF1-C0112-40-10	7 - 17	YF1-G5175-64-80	11 - 58		32 - 9		
YF1-C0103-64-22	6 - 3	YF1-C0106-30-10	16 - 4	YF1-C0112-40-20	7 - 19	YF1-G5180-11-22	1 - 21	YF4-T5012-39	35 - 29		
YF1-C0103-69-22	4 - 3	YF1-C0106-30-20	16 - 16	YF1-C0112-41-10	8 - 11	YF1-G5180-46-10	9 - 5	YF4-T5012-43	35 - 30		
YF1-C0103-69-50	4 - 2	YF1-C0106-30-30	16 - 5	YF1-C0115-51-04	11 - 35	YF1-G5183-32-60	33 - 8	YF4-T5012-45	35 - 28		
YF1-C0103-69-60	4 - 5	YF1-C0106-30-40	16 - 7	YF1-C0117-27-06	17 - 6	YF1-G5184-20-42	12 - 20	YF4-T5016-54	35 - 27		
YF1-C0103-70-10	23 - 1	YF1-C0106-30-50	16 - 13	YF1-C0117-30-10	17 - 9	YF1-G5184-30-10	14 - 4	YF4-T5016-55	35 - 26		
YF1-C0103-71-14	1 - 19	YF1-C0106-30-70	16 - 20	YF1-C0120-40-12	4 - 1	YF1-G5186-44-20	15 - 1	YF4-T5016-83	35 - 1		
	17 - 7	YF1-C0106-30-80	16 - 22	YF1-C0200-10-10	1 - 1	YF1-G5186-44-30	15 - 2	YF4-T5016-87	35 - 2		
	17 - 20	YF1-C0106-31-70	16 - 15	YF1-C0200-33-10	3 - 26	YF1-G5187-28-50	18 - 5	YF3-T5016-91	35 - 3		
	18 - 10	YF1-C0106-32	16 - 26	YF1-C0200-36	3 - 26	YF1-G5187-29-40	18 - 6	YF3-T5016-92	35 - 10		
YF1-C0103-71-50	23 - 4	YF1-C0106-32-10	16 - 8	YF1-C0200-36-10	3 - 26	YF1-G5187-31-70	18 - 11	YF3-T5016-93	35 - 13		
YF1-C0103-71-60	23 - 6	YF1-C0106-32-40	16 - 6	YF1-C0200-41-40	4 - 11	YF1-G5187-33-50	18 - 8	YF3-T5016-94	35 - 14		
YF1-C0103-71-72	23 - 7	YF1-C0106-32-50	16 - 21	YF1-C0201-34-63	3 - 41	YF1-G5271-65-70	11 - 9	YF3-T5016-95	35 - 15		
YF1-C0103-71-82	23 - 9	YF1-C0106-32-60	16 - 10	YF1-C0201-43-10	3 - 33	YF1-G5705-41-02	11 - 74				
YF1-C0104-20-12	14 - 1	YF1-C0106-32-70	16 - 12	YF1-C0201-63-22	11 - 13	YF1-G6427-30-50	17 - 17				
YF1-C0104-24	12 - 2	YF1-C0106-32-80	16 - 14	YF1-C0202-20-17	8 - 5	YF3-G7001-62-20	17 - 27				
	12 - 23	YF1-C0106-33-20	16 - 27	YF1-C0202-23-12	8 - 8	YF3-G7001-71	18 - 1				
YF1-C0104-24-60	33 - 24	YF1-C0106-33-30	16 - 11	YF1-C0202-23-32	8 - 8	YF1-G7726-38-20	9 - 2				
YF1-C0104-25	12 - 1	YF1-C0106-33-70	16 - 25	YF1-C0202-29-62	8 - 8	YF1-G7729-10-30	9 - 7				
YF1-C0105-08	11 - 2	YF1-C0106-33-80	16 - 23	YF1-C0202-29-72	8 - 8	YF1-G7779-66-50	22 - 4				
YF1-C0105-11-52	10 - 11	YF1-C0106-33-90	16 - 24	YF1-C0202-34-70	8 - 14	YF1-G8823-37-40	33 - 4				
YF1-C0105-11-74	10 - 1	YF1-C0106-34-10	16 - 9	YF1-C0202-39-10	8 - 14	YF1-G8826-06	26 - 35				