

# **PARTS CATALOGUE**

# **EDL18000STE** (Q9CJ) RUS,ZAF,SEA

---

EDL18000STE  
PARTS CATALOGUE  
©2010 by Yamaha Motor Co., Ltd.  
1st edition, July 2010  
All rights reserved.  
Any reprinting or unauthorized use  
without the written permission of  
Yamaha Motor Co., Ltd.  
is expressly prohibited.  
Printed in Japan.

# FOREWORD

This Parts Catalogue is related to the parts for the model(s) on the cover page. When you are ordering replacement parts, please refer to this Parts Catalogue and quote both part numbers and part names correctly.

1. Modifications or additions which have been made after the issue of the Parts Catalogue will be announced in the Parts News.

It is advisable that you make the necessary corrections to the Parts Catalogue according to the Parts News.

2. Abbreviations

The following abbreviations are used in this Parts Catalogue.

“UR” Use specified parts number.

“UN” Use as many as needed.

“AP” Alternate Parts

“LM” Locally Made (Parts need to be ordered locally)

“F#” Frame No. (Applicable machine No.)

“O/S” Over Size

3. The number of components for assembly

- Parts, which are to be supplied in an assembly, are listed with a dot (.) in front of the part name as shown below.
- The numeral appearing to the right of each component part indicates the quantity of parts for each assembly unit.

PART NO.	DESCRIPTION	Q'TY	REMARKS
2F5-83310-60	FRONT FLASHER LIGHT ASSY	2	
115-83311-60	.BULB (6V-18W)	1	

4. Applicable colours of graphics are represented in the “REMARKS” as shown below.

PART NO.	DESCRIPTION	Q'TY	REMARKS
2N4-24110-00-X5	FUEL TANK COMP.	2	MXR
3J1-24240-10	.GRAPHIC, FUEL TANK	1	FOR MXR

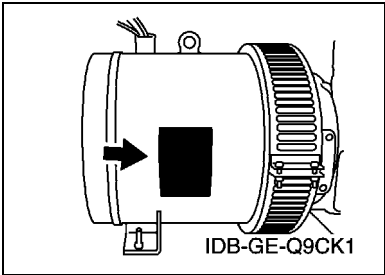
5. Note that the illustrations for reference in finding parts numbers are not to be used for assembling. When assembling, please use the applicable service manual.

6. The asterisk (\*) before a reference number indicates modified items after the first edition.

# FOREWORD

7. Applicable Serial No.

Primary Identification No.



8. Applicable Colour Code (The (\*) mark shows Model colour.)

Abbreviation	Colour Name	Colour Code

9. Applicable Starting Serial No.

\*\*\*\*\*Serial NO.

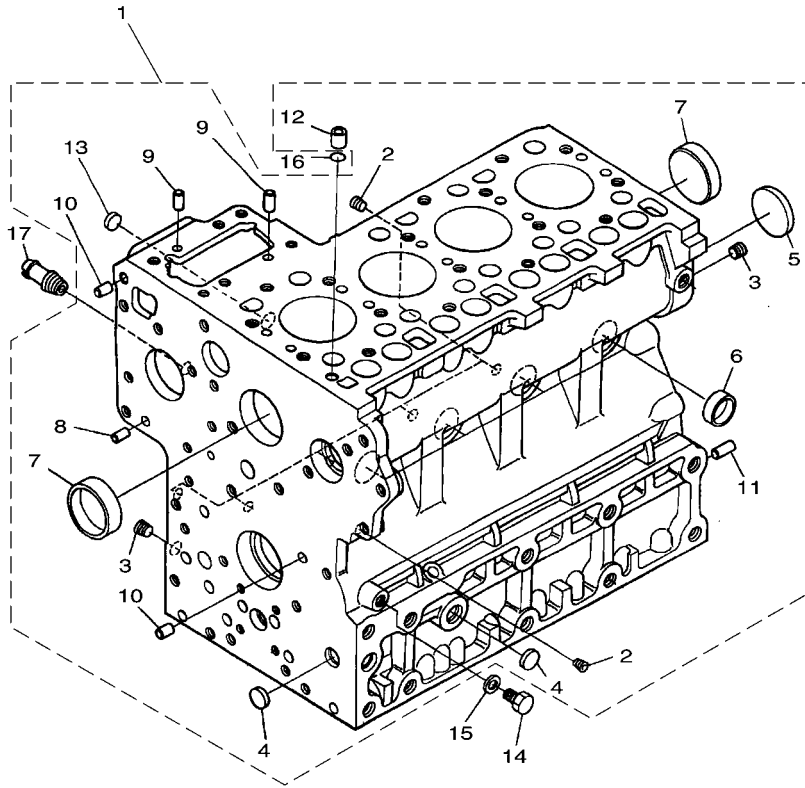
Model	Model Code	Destination	Voltage	Serial NO.
EDL18000STE	Q9CJ	RUS,ZAF,SEA	380V/220V-50Hz	Q9CJ-0100101

# CONTENTS

CRANKCASE .....	1
OIL PAN .....	2
CYLINDER HEAD .....	3
CRANKCASE COVER .....	4
COVER .....	5
OIL FILTER .....	6
CAMSHAFT & IDLE GEAR .....	7
CRANKSHAFT & PISTON .....	8
FLYWHEEL HOUSING .....	11
INJECTION PUMP 1 .....	12
INJECTION PUMP 2 .....	14
FUEL INJECTION NOZZLE .....	16
FUEL FILTER .....	17
FUEL TANK .....	18
GENERATOR 1 .....	19
STARTING MOTOR .....	21
WATER PUMP .....	23
RADIATOR & HOSE .....	25
CAMSHAFT & VALVE .....	26
INTAKE MANIFOLD .....	27
EXHAUST .....	28
AIR CLEANER .....	29
FRAME 1 .....	30
GENERATOR 2 .....	31
ELECTRICAL 1 .....	33
ELECTRICAL 2 .....	35
ELECTRICAL 3 .....	36
ELECTRICAL 4 .....	37
FRAME 2 .....	38
FRAME 3 .....	39
LABELS .....	40

## INDEX

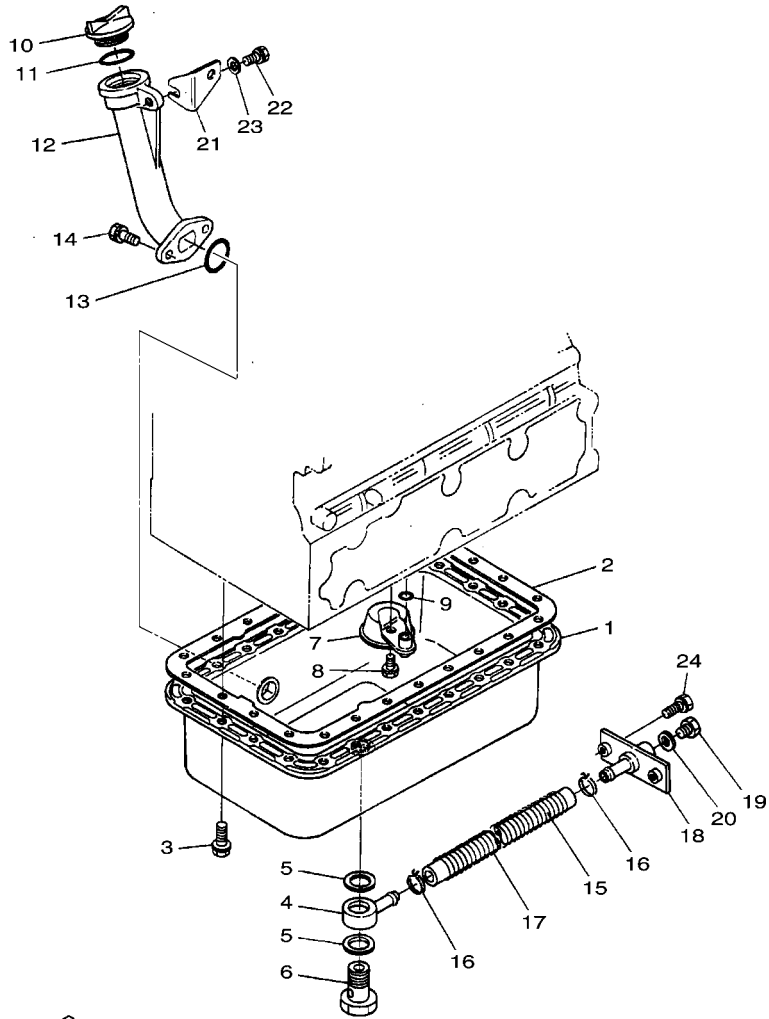
NUMERICAL INDEX .....	41
-----------------------	----



  
Q9CR600-J010

**FIG. 1 CRANKCASE**

REF. NO.	PART NO.	DESCRIPTION	Q9CJ				REMARKS
1	YF1-G6080-10-13	COMP.CRANKCASE	1				
2	YF1-55219-60-20	.PLUG	6				
3	YF1-55219-60-30	.PLUG	2				
4	YF1-73919-61-60	.PLUG	3				
5	YF1-62719-61-60	.PLUG	1				
6	YF1-52210-33-80	.CAP,SEALING	6				
7	YF1-52210-33-90	.CAP,SEALING	2				
8	YF0-50120-04-08	.PIN,STRAIGHT	2				
9	YF0-50120-06-09	.PIN, STRAIGHT	2				
10	YF0-50120-06-12	.PIN	2				
11	YF0-50120-10-18	.PIN,STRAIGHT	1				
12	YF1-52213-36-50	.PIN,PIPE	1				
13	YF1-68519-62-70	.PLUG,EXPANSION 2	1				
14	YF1-G8963-36-10	PLUG	1				
15	YF1-50213-36-60	PACKING	1				
16	YF1-52213-37	O-RING	1				
17	YF1-53217-33-40	PIPE, WATER RETURN (EDL6500)	1				



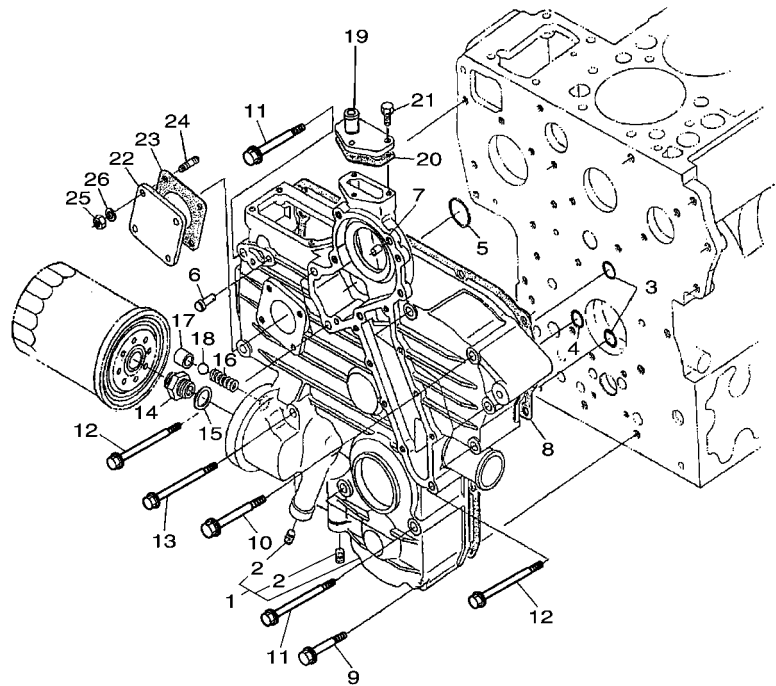
Q9CR600-J020

FIG. 2 OIL PAN

REF. NO.	PART NO.	DESCRIPTION	Q9CJ				REMARKS
1	YF1-51920-16-12	OIL PAN	1				
2	YF1-G7800-16-20	GASKET,OIL PAN	1				
3	YF1-73339-10-13	BOLT,FLANGE	24				
4	YF1-72483-33-40	JOINT,OIL PIPE	1				
5	YF1-51929-66-70	GASKET	2				
6	YF1-72483-34-50	BOLT,OIL JOINT	1				
7	YF1-56283-21-10	FILTER,OIL	1				
8	YF0-11236-08-16	BOLT	1				
9	YF0-48170-01-60	O RING	1				
10	YF1-58523-31-40	PLUG,OIL FILLER	1				
11	YF0-48175-03	O RING	1				
12	YF1-54363-31-10	FLANGE,OIL FILLER	1				
13	YF0-48111-03-20	O RING	1				
14	YF0-11235-08-20	BOLT	2				
15	YF1-71473-32-10	HOSE,OIL DRAIN	1				
16	YF5-53648-17-40	BAND,PIPE	2				
17	YF1-71473-33-90	SPRING,OIL PIPE P/T	1				
18	YF1-59573-37-40	JOINT,PIPE 2	1				
19	YF1-52213-37-50	PLUG	1				
20	YF1-51093-36-60	GASKET	1				
21	YF1-71473-31-30	STAY,OIL FILLER F/G	1				
22	YF0-11235-08-20	BOLT	1				
23	YF0-40125-00-80	WASHER,PLATE	1				
24	YFG-37009-11-50	BOLT	2				







  
 Q9CG600-J040

**FIG. 4 CRANKCASE COVER**

REF. NO.	PART NO.	DESCRIPTION	Q9CJ				REMARKS
1	YF1-63430-40-20	COMP.CASE,GEAR	1				
2	YF1-68519-60-10	.PLUG	2				
3	YF0-48170-01-50	O RING	2				
4	YF0-48170-02	O RING	1				
5	YF0-48170-03-60	O RING	1				
6	YF1-52215-62-80	PIN, START SPRING (EDL6500)	1				
7	YF0-50120-06-12	PIN	2				
8	YF1-57660-41-32	GASKET,GEAR CASE	1				
9	YF1-64679-10-10	BOLT,FLANGE	2				
10	YF1-A0219-10-30	BOLT,FLANGE	5				
11	YF1-64679-10-20	BOLT,FLANGE	3				
12	YF0-17545-08-85	BOLT,FLANGE	3				
13	YF1-64249-10-10	BOLT,FLANGE	2				
14	YF1-A0213-22-90	JOINT,PIPE	1				
15	YF1-G7903-23-02	COLLAR,VALVE SEAT	1				
16	YF1-52413-69-50	SPRING (EDL6500)	1				
17	YF1-55213-69-30	SEAT,VALVE	1				
18	YF0-77150-32-13	BALL	1				
19	YF1-55217-33-20	FLANGE,WATER RETURN	1				
20	YF1-A0217-33-30	GASKET,RETURN FLANGE	1				
21	YF0-10235-06-20	BOLT	3				
22	YF1-52238-33-40	COVER	1				
23	YF1-G7518-81-30	GASKET,HOUR METER	1				
24	YF1-52218-82-10	STUD	4				
25	YF0-20565-00-60	NUT	4				
26	YF0-45126-00-60	WASHER,SPRING	4				







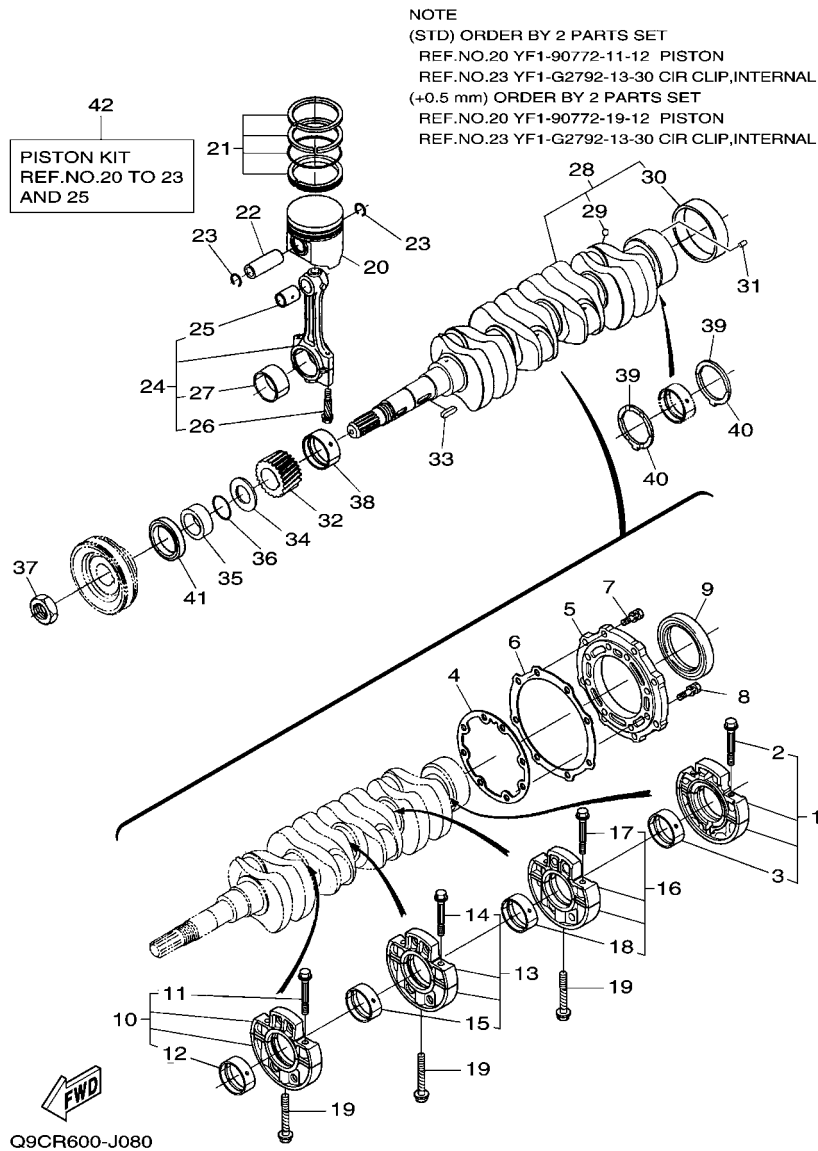


FIG. 8 CRANKSHAFT & PISTON

REF. NO.	PART NO.	DESCRIPTION	Q9CJ			REMARKS
1	YF1-A0410-70-95	ASSY BRG.CASE,WHEEL	1			
2	YF1-A0910-45-40	.BOLT,BEARING CASE	2			
3	YF1-A0912-34-82	.METAL,CRANKSHAFT (STD)	1			
	YF1-A0912-39-30	.METAL,CRANKSHAFT (0.2MM U/S)	1			AP
	YF1-A0912-39-40	.METAL,CRANKSHAFT (0.4MM U/S)	1			AP
4	YF1-A0910-43-62	GASKET,BEARING CASE	1			
5	YF1-G8510-48-13	COVER,BEARING CASE	1			
6	YF1-A0910-48-20	GASKET,CASE COVER	1			
7	YF0-11235-08-25	BOLT	8			
8	YF0-11235-08-28	BOLT	8			
9	YF1-G9110-44-60	SEAL,OIL	1			
10	YF1-A0910-70-45	ASSY BRG.CASE,MAIN	1			
11	YF1-A0910-45-40	.BOLT,BEARING CASE	2			
12	YF1-A0912-34-82	.METAL,CRANKSHAFT (STD)	1			
	YF1-A0912-39-30	.METAL,CRANKSHAFT (0.2MM U/S)	1			AP
	YF1-A0912-39-40	.METAL,CRANKSHAFT (0.4MM U/S)	1			AP
13	YF1-A0910-70-55	ASSY BRG.CASE,MAIN	1			
14	YF1-A0910-45-40	.BOLT,BEARING CASE	2			
15	YF1-A0912-34-82	.METAL,CRANKSHAFT (STD)	1			
	YF1-A0912-39-30	.METAL,CRANKSHAFT (0.2MM U/S)	1			AP
	YF1-A0912-39-40	.METAL,CRANKSHAFT (0.4MM U/S)	1			AP
16	YF1-A0910-70-65	ASSY BRG.CASE,MAIN	1			
17	YF1-A0910-45-40	.BOLT,BEARING CASE	2			
18	YF1-A0912-34-80	.METAL,CRANKSHAFT (STD)	1			
	YF1-A0912-39-30	.METAL,CRANKSHAFT (0.2MM U/S)	1			AP
	YF1-A0912-39-40	.METAL,CRANKSHAFT (0.4MM U/S)	1			AP
19	YF1-56010-45-60	BOLT,BEARING CASE	3			

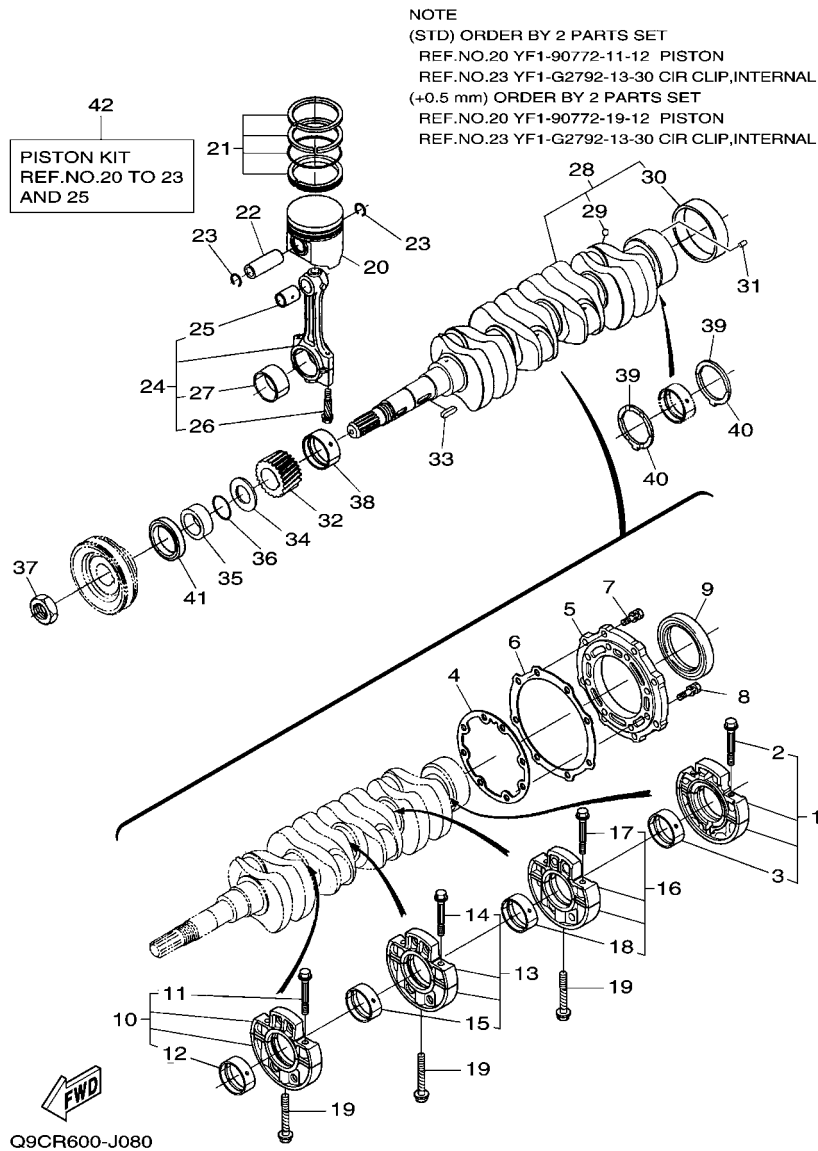


FIG. 8 CRANKSHAFT & PISTON

REF. NO.	PART NO.	DESCRIPTION	Q9CJ			REMARKS
20	YF1-90772-11-12	PISTON (STD)	4			
	YF1-90772-19-12	PISTON (0.5MM O/S)	4			AP
21	YF1-73312-10-50	ASSY PISTON RING (STD)	4			
	YF1-73312-10-90	ASSY PISTON RING (0.5MM O/S)	4			AP
22	YF1-A0212-13-10	PIN,PISTON	4			
23	YF1-G2792-13-30	CIR CLIP,INTERNAL	8			
24	YF1-73112-20-12	ASSY CONNECTING ROD	4			
25	YF1-73312-19-80	.BUSH,PISTON PIN	1			
26	YF1-55212-21-42	.BOLT,CONNECTING ROD	2			
27	YF1-73112-23-12	.METAL,CRANKPIN (STD)	1			
	YF1-73112-29-70	.METAL,CRANKPIN (0.2MM U/S)	1			AP
	YF1-73112-29-80	.METAL,CRANKPIN (0.4MM U/S)	1			AP
28	YF1-66412-30-14	COMP.CRANKSHAFT	1			
29	YF0-77150-04-01	.BALL	4			
30	YF1-92022-32-80	.BUSH,CRANKSHAFT	1			
31	YF1-A0212-31-92	PIN,STRAIGHT	1			
32	YF1-54712-41-10	GEAR,CRANK	1			
33	YF0-57120-07-20	KEY	1			
34	YF1-54712-33-12	SLINGER,OIL	1			
35	YF1-92022-32-50	COLLAR,CRANKSHAFT	1			
36	YF0-48111-03	O RING	1			
37	YF1-52212-33-60	NUT,CRANKSHAFT	1			
38	YF1-A0912-34-70	METAL,CRANKSHAFT (STD)	1			
	YF1-A0912-39-10	METAL,CRANKSHAFT (0.2MM U/S)	1			AP
	YF1-A0912-39-20	METAL,CRANKSHAFT (0.4MM U/S)	1			AP
39	YF1-A0912-35-30	METAL,SIDE (STD)	2			
	YF1-A0912-39-50	METAL,SIDE (0.2MM O/S)	2			AP







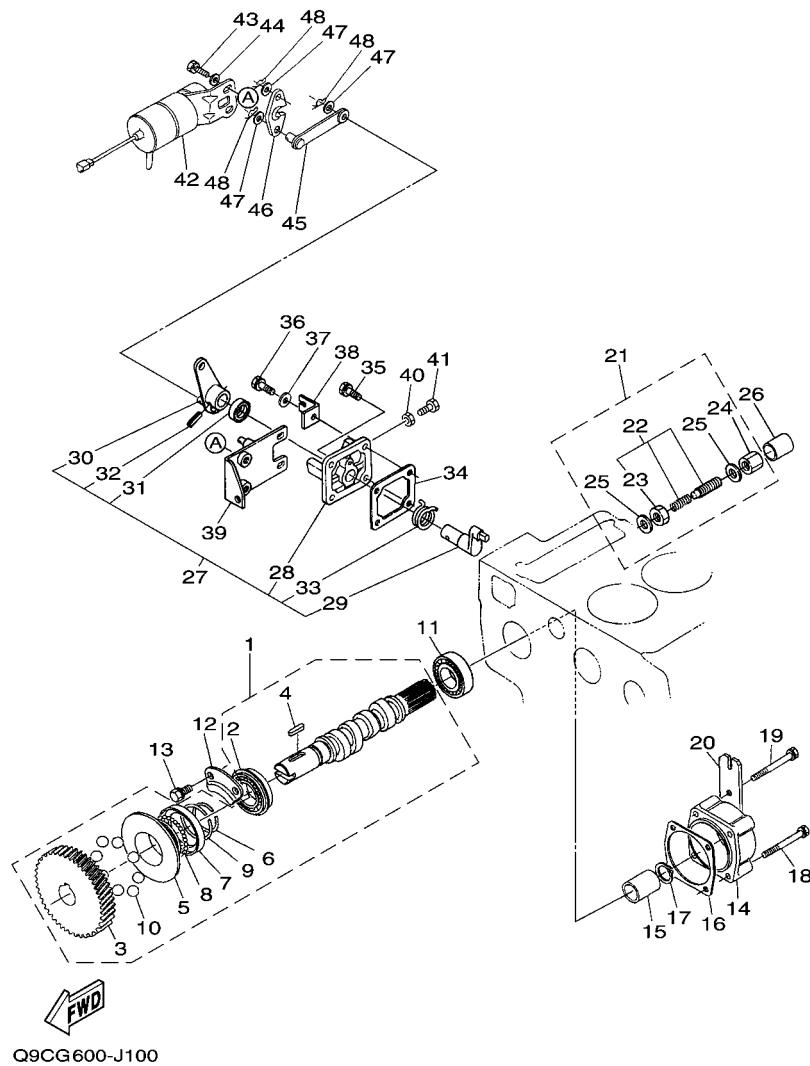
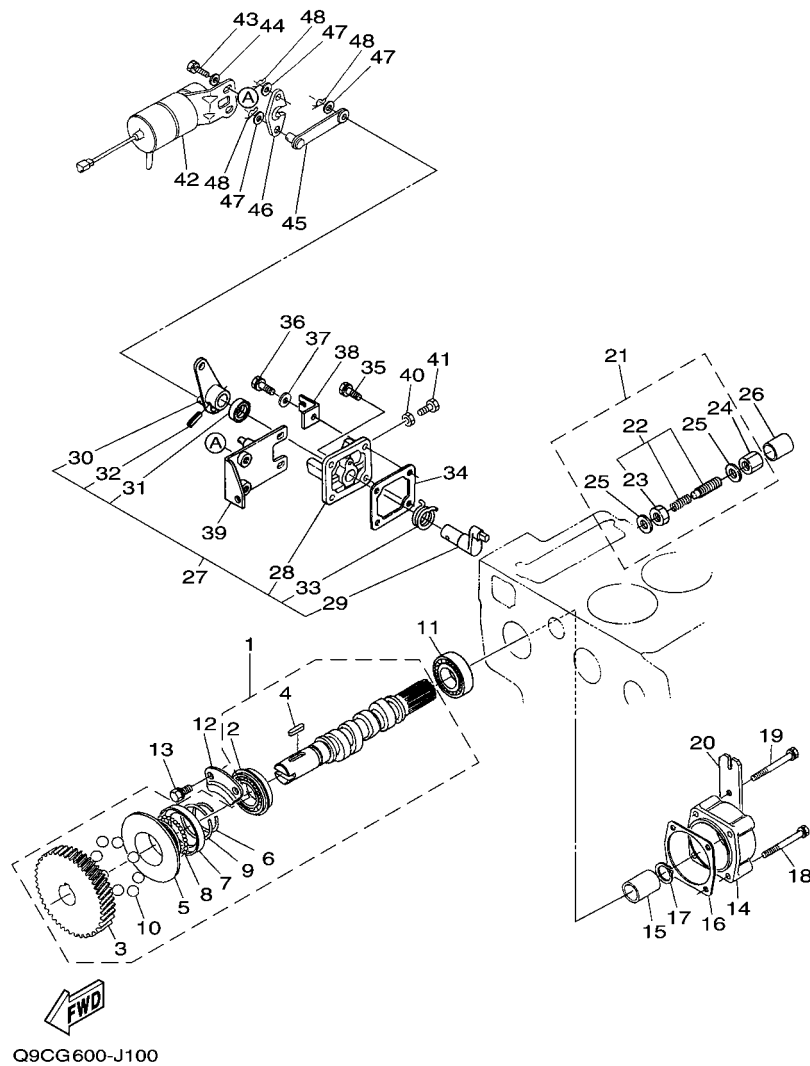


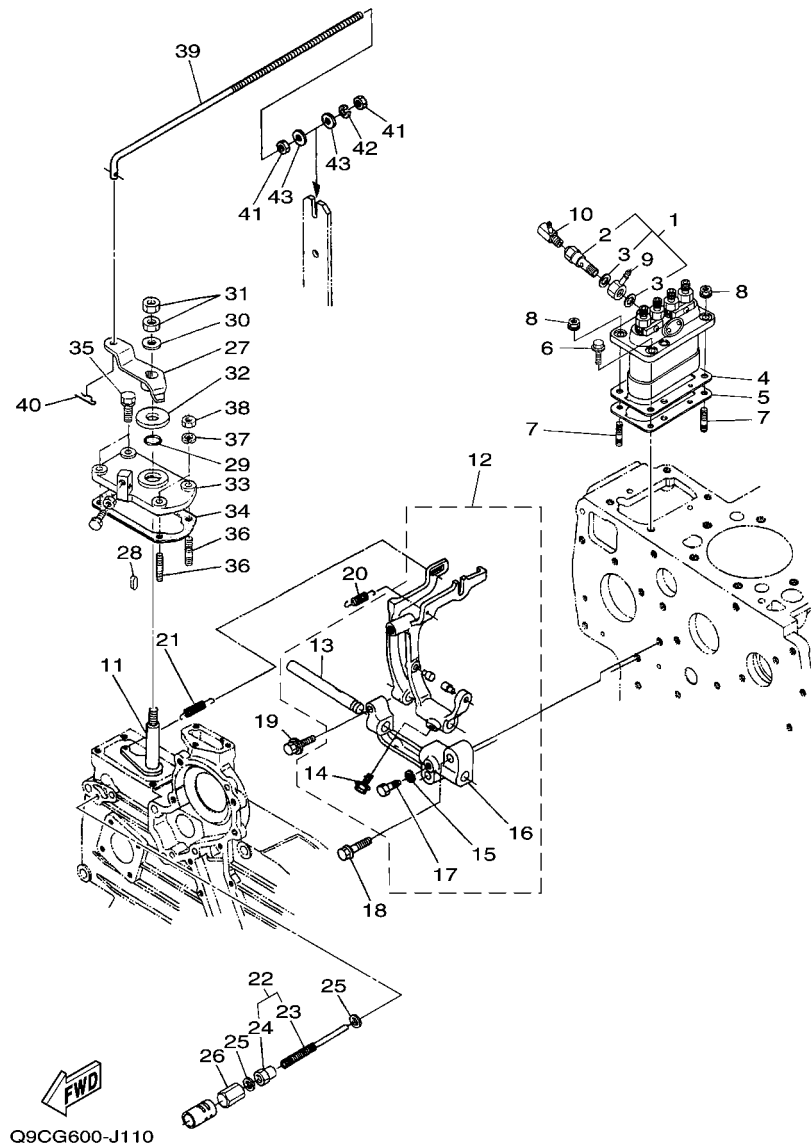
FIG. 10 INJECTION PUMP 1

REF. NO.	PART NO.	DESCRIPTION	Q9CJ				REMARKS
1	YF1-90771-60-25	ASSY CAMSHAFT,FUEL	1				
2	YF0-81530-62-05	.BEARING,BALL	1				
3	YF1-64155-11-50	.GEAR,INJECTION PUMP	1				
4	YF0-57120-05-25	.KEY,FEATHER	1				
5	YF1-G8965-54-51	.SLEEVE,GOVERNOR	1				
6	YF1-52215-54-70	.CIR-CLIP,GOV. SLEEVE	1				
7	YF1-56115-56-90	.CASE,GOVERNOR BALL	1				
8	YF0-77150-32-05	.BALL	39				
9	YF1-52215-57-40	.CIR-CLIP	1				
10	YF0-77150-04-03	.BALL	7				
11	YF1-G7789-73	BEARING,BALL	1				
12	YF1-52211-63-22	STOPPER,FUEL.C/SHAFT	1				
13	YF0-11236-08-14	BOLT	2				
14	YF1-52251-62-14	COVER,FUEL CAMSHAFT	1				
15	YF1-92221-61-90	COLLAR	1				
16	YF1-G4921-62-20	GASKET	1				
17	YF1-54719-53-60	CIR CLIP,EXTERNAL	1				
18	YF0-11235-08-65	BOLT	2				
19	YF0-11235-08-70	BOLT	2				
20	YFG-36005-75-80	PLATE,SPEED LOCK	1				
21	YF1-98185-40-90	APPARATUS,IDLING	1				
22	YF1-98185-41-03	.ASSY BOLT,ADJUSTMENT	1				
23	YF1-54019-20-10	.NUT	1				
24	YF1-55219-23-30	.NUT	1				
25	YF1-50213-36-60	.PACKING	2				
26	YF1-55215-42-70	CAP	1				
27	YF1-74825-77-06	ASSY LEVER,ENG.STOP	1				



**FIG. 10 INJECTION PUMP 1**

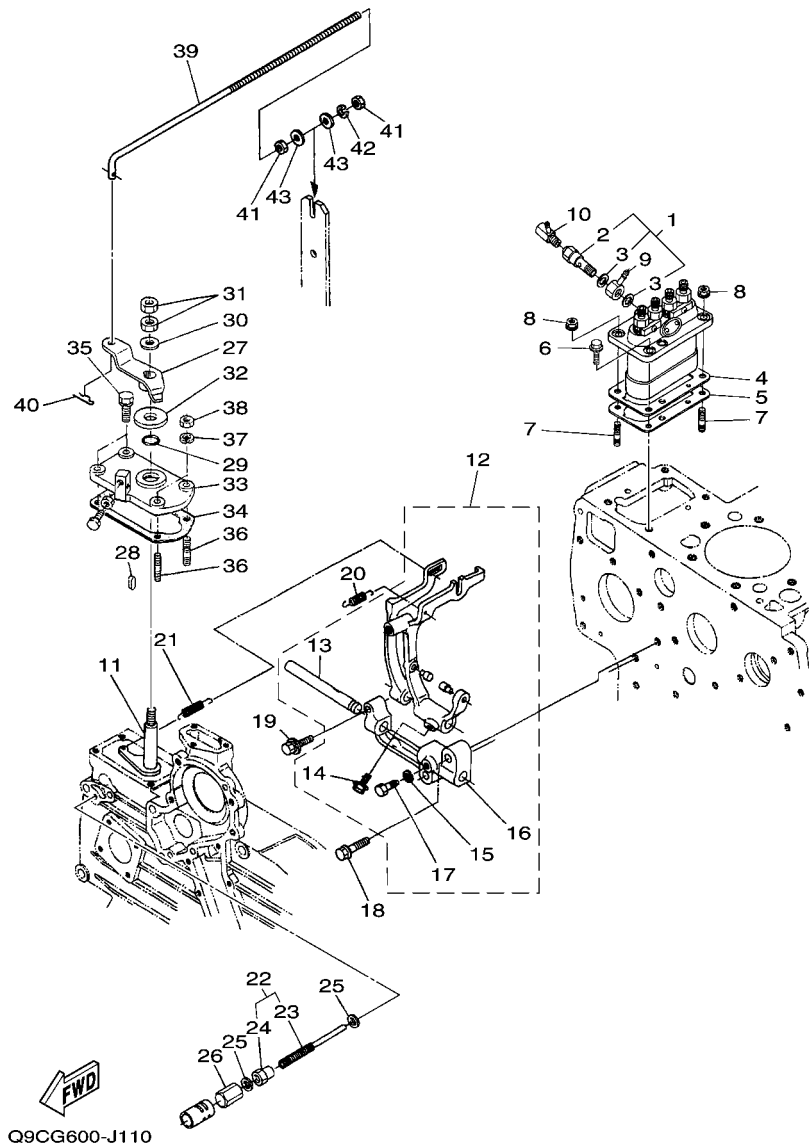
REF. NO.	PART NO.	DESCRIPTION	Q9CJ				REMARKS
28	YF1-71835-16-50	.COVER,INJECTION PUMP	1				
29	YF1-73315-77-40	.SHAFT,LEVER	1				
30	YF1-74825-77-20	.LEVER,ENGINE STOP	1				
31	YF1-66915-79-80	.SEAL,OIL	1				
32	YF0-54110-04-20	.PIN,SPRING	1				
33	YF1-74825-79-20	.SPRING,RETURN	1				
34	YF1-A0215-16-60	GASKET, PUMP COVER	1				
35	YF0-10235-06-18	BOLT	1				
36	YF0-10235-06-22	BOLT	3				
37	YF0-40125-00-60	WASHER,PLATE	3				
38	YF3-40704-42-20	HOLDER,WIRE	1				
39	YF1-64276-01-13	SUPPORT,SOLENOID	1				
40	YF0-20565-00-60	NUT	1				
41	YF1-51085-72-80	STOPPER	1				
42	YF1-54716-00-10	SOLENOID,STOP	1				
43	YF0-11236-08-16	BOLT	2				
44	YF0-40125-00-80	WASHER,PLATE	2				
45	YF1-73316-01-50	LEVER,STOP	1				
46	YF1-54716-01-62	LEVER, STOP 2	1				
47	YF0-40125-00-60	WASHER,PLATE	3				
48	YF0-55256-06	PIN,SNAP	3				



Q9CG600-J110

FIG. 11 INJECTION PUMP 2

REF. NO.	PART NO.	DESCRIPTION	Q9CJ			REMARKS
1	YF1-G6285-10-10	ASSY PUMP,INJECTION	1			
2	YF1-G8965-13-20	.SCREW,HOLLOW	1			
3	YF1-G8969-66-50	.GASKET	2			
4	YF1-G8965-22	SHIM,INJECTION PUMP (T=0.175MM)	1			UR
	YF1-90775-20-92	SHIM,INJECTION PUMP (T=0.20MM)	1			UR
	YF1-90775-21-13	SHIM,INJECTION PUMP (T=0.25MM)	1			UR
5	YF1-90775-21-23	SHIM,INJECTION PUMP (T=0.30MM)	1			
6	YF0-17545-08-20	BOLT	4			
7	YF1-52219-15-30	STUD	2			
8	YF0-27515-00-80	NUT, FLANGE (EDK8000TE)	2			
9	YF1-41114-24-10	JOINT, EYE	1			
10	YF1-57486-05-70	ASSY ORIFICE	1			
11	YF1-56015-60-20	COMPLEVER,GOVERNOR	1			
12	YF1-90775-60-50	ASSY LEVER,FORK	1			
13	YF1-G9115-61-50	.SHAFT,FORK LEVER	1			
14	YF0-17545-06-18	.BOLT,FLANGE	1			
15	YF0-45126-00-60	.WASHER,SPRING	1			
16	YF1-52215-62-30	.HOLDER,FORK LEVER	1			
17	YF1-52216-64-10	.BOLT	1			
18	YF0-17545-08-30	BOLT	2			
19	YF0-10255-06-30	BOLT	1			
20	YF1-56015-64-80	SPRING,START	1			
21	YF1-54035-64-10	SPRING,GOVERNOR	1			
22	YF1-A0215-43-50	ASSY BOLT,ADJUSTMENT	1			
23	YF1-A0215-41-20	.BOLT,ADJUSTING	1			
24	YF1-56019-20-12	.NUT	1			
25	YF1-56019-66-50	PACKING	2			



Q9CG600-J110

FIG. 11 INJECTION PUMP 2

REF. NO.	PART NO.	DESCRIPTION	Q9CJ				REMARKS
26	YF1-58411-46-20	NUT,CROWN	1				
27	YF1-54695-71-50	LEVER,SPEED CONTROL	1				
28	YF0-57120-04-08	KEY	1				
29	YF0-48170-01-20	O RING	1				
30	YF0-40136-00-80	WASHER,PLATE	1				
31	YF0-21125-00-80	NUT	2				
32	YF1-55215-72-40	COLLAR	1				
33	YF1-55215-71-15	PLATE,SPEED CONTROL	1				
34	YF1-E1475-72-10	GASKET,PLATE	1				
35	YF0-10235-06-20	BOLT	2				
36	YF1-52218-82-10	STUD	2				
37	YF0-45126-00-60	WASHER,SPRING	2				
38	YF0-20565-00-60	NUT	2				
39	YFG-37005-72-70	ROD,SPEED/LOCK	1				
40	YFG-37009-48-10	PIN,SNAP	1				
41	YF0-20145-00-60	NUT	2				
42	YF0-45126-00-60	WASHER,SPRING	1				
43	YF0-40125-00-60	WASHER,PLATE	2				

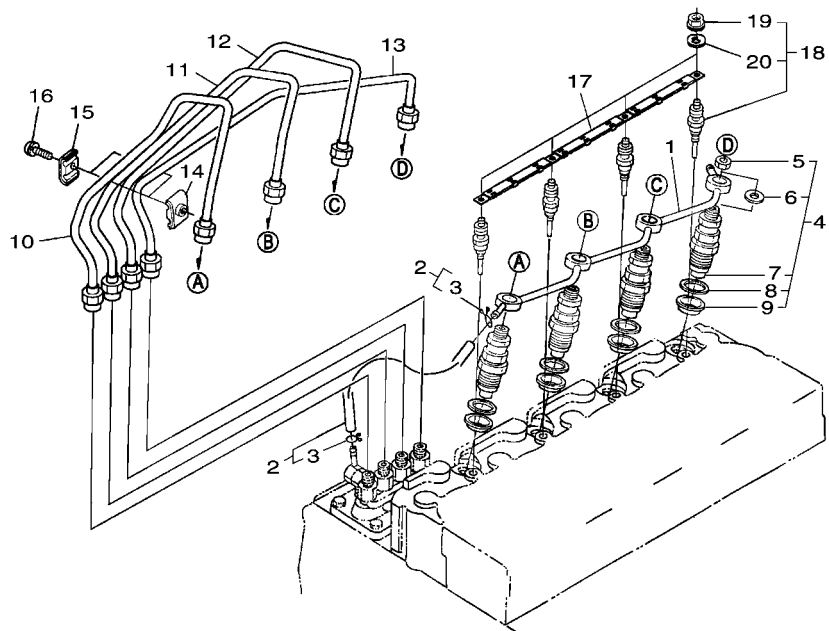
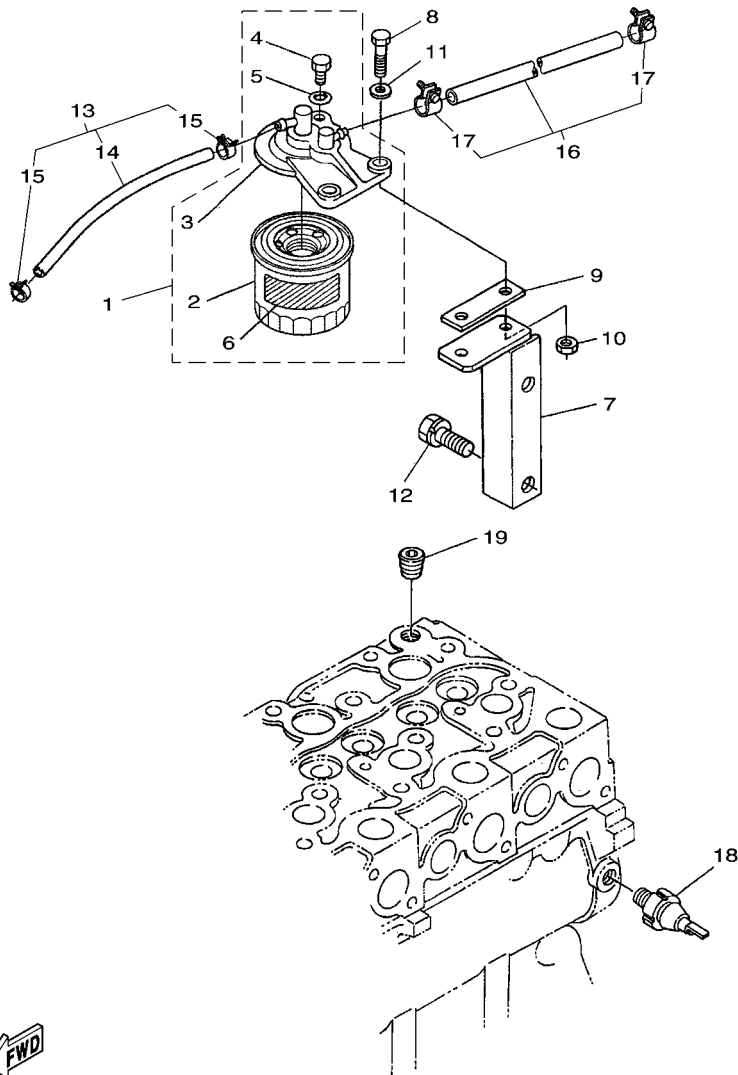


FIG. 12 FUEL INJECTION NOZZLE

REF. NO.	PART NO.	DESCRIPTION	Q9CJ				REMARKS
1	YF1-64544-25-02	ASSY PIPE,OVER FLOW	1				
2	YF1-G8964-25	ASSY PIPE,OVER FLOW	1				
3	YF1-52714-27-10	.CLIP,PIPE	1				
4	YF1-64545-39	KIT HOLDER,NOZZLE	1				
5	YF1-58419-20-30	.NUT	4				
6	YF1-58419-40-40	.WASHER	4				
7	YF1-64545-36-10	.PIECE,NOZZLE	4				
8	YF1-58415-36-22	.PACKING	4				
9	YF1-90775-36-50	.SEAL,HEAT	4				
10	YF1-90775-37-14	PIPE,INJECTION	1				
11	YF1-90775-37-23	PIPE,INJECTION	1				
12	YF1-90775-37-33	PIPE,INJECTION	1				
13	YF1-90775-37-43	PIPE,INJECTION	1				
14	YF1-58415-38-50	CLAMP,PIPE 1	3				
15	YF1-58415-38-60	CLAMP,PIPE 2	3				
16	YF0-30245-05-20	SCREW,WITH WASHER	3				
17	YF1-90776-55-12	GLOW PLUG	4				
18	YF1-G7786-55-60	CORD,GLOW PLUG	1				
19	YF0-27615-00-40	.NUT,FLANGE	4				
20	YF0-40136-00-40	.WASHER,PLATE	4				

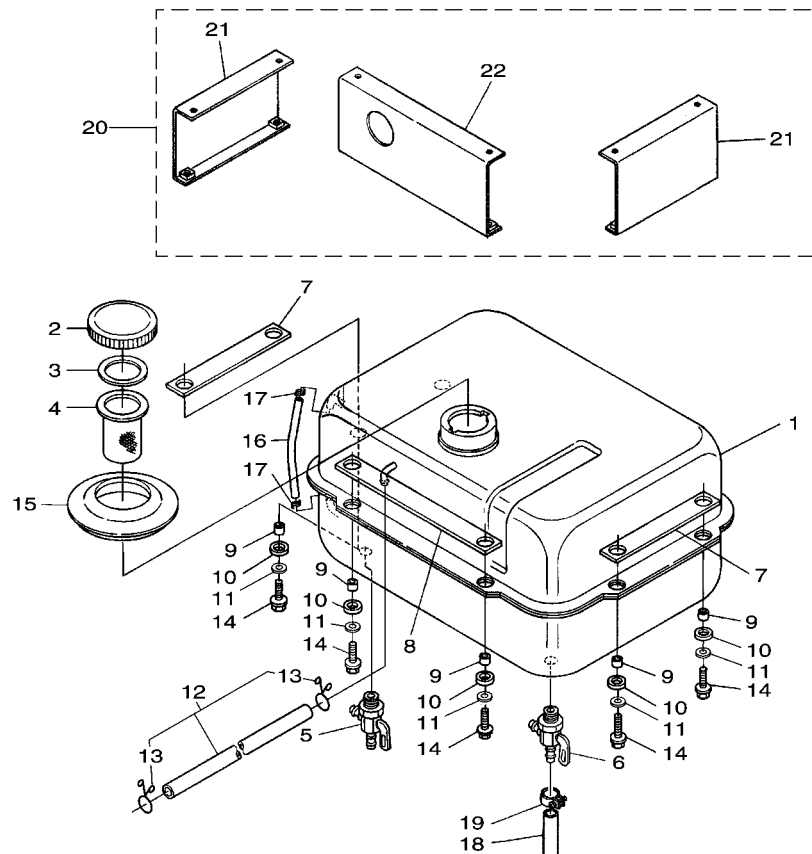


  
Q9CH600-J130

**FIG. 13 FUEL FILTER**

REF. NO.	PART NO.	DESCRIPTION	Q9CJ				REMARKS
1	YF1-51934-30-10	ASSY FILTER,FUEL	1				
2	YF1-52214-31-70	.FILTER ELEMENT	1				
3	YF1-52244-32	.FILTER COVER ASSY.	1				
4	YF1-92224-32-80	.PLUG,FILTERE AIR DRAIN	1				
5	YF1-51084-32-90	.O-RING	1				
6	YF1-51938-74-60	.LABEL,FILTER	1				
7	YF1-51924-34-30	BRACKET,FUEL FILTER	1				
8	YF0-11235-08-35	BOLT (7LR1)	2				
9	YF1-54034-34-50	CUSHION	1				
10	YF0-21145-00-80	NUT	2				
11	YF0-40125-00-80	WASHER,PLATE	2				
12	YF0-11335-12-25	BOLT	2				
13	YF1-59774-10-20	ASSY PIPE,FUEL	1				
14	YF1-46114-21-20	.PIPE,FUEL	1				
15	YF1-49114-27-50	.PIPE CLIP	2				
16	YF1-53834-20-20	ASSY PIPE,FUEL	1				
17	YF1-43014-27-50	.YF1-43014-27-50	2				
18	YF1-71893-90-10	SWITCH,OIL	1				
19	YF1-58419-60-20	PLUG	1				

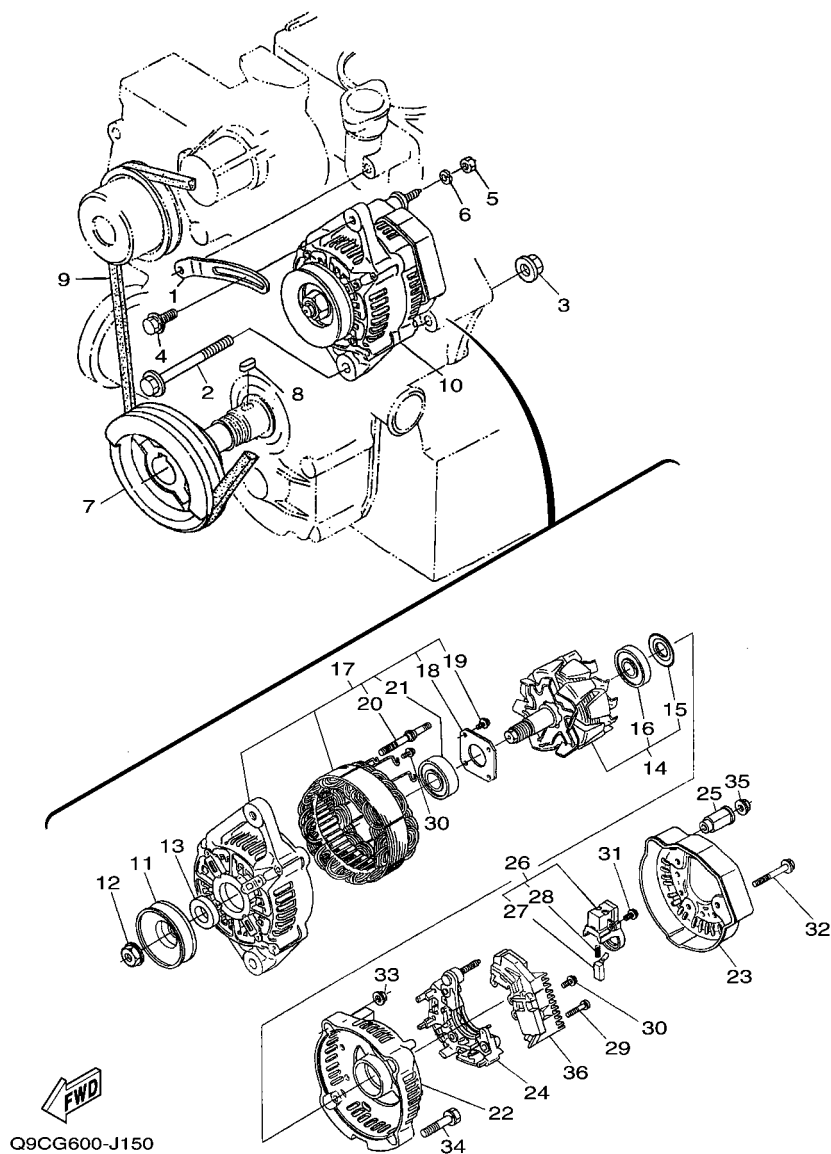
FIG. 14 FUEL TANK



 Q9CH600-J140

REF. NO.	PART NO.	DESCRIPTION	Q9CJ			REMARKS
1	YFG-36004-10-10	COMP.TANK,FUEL	1			
2	YF1-11514-12-60	CAP,FUEL TANK	1			
3	YF1-46814-13-40	GASKET	1			
4	YF1-42614-13-52	FILTER	1			
5	YF1-51934-13-80	COCK,FUEL	1			
6	YF1-50003-43-90	COCK, DRAIN (EDL6500)	1			
7	YF3-73003-51-60	CUSHION	2			
8	YF3-84303-51-60	CUSHION	1			
9	YF3-73003-51-20	CUSHION	6			
10	YF3-73003-51-40	SPACER	6			
11	YF0-40155-00-80	WASHER	6			
12	YF1-59574-20-50	ASSY PIPE,OVER FLOW	1			
13	YF1-49714-27-50	.PIPE CLIP	2			
14	YF0-11255-08-30	BOLT	6			
15	YF1-89013-02-70	FUEL TANK CAP SEAL	1			
16	YFG-36004-17-10	GAUGE,FUEL	1			
17	YF1-43014-23-60	CLIP	2			
18	YFG-37004-24-50	TUBE,FUEL DRAIN	1			
19	YFG-37007-31-40	CLAMP,TUBE	1			
20	YFG-37004-11-30	ASSY SUPPORT,TANK	1			
21	YFG-37004-11-40	.SUPPORT,TANK	2			
22	YFG-37004-12	.SUPPORT,TANK	1			

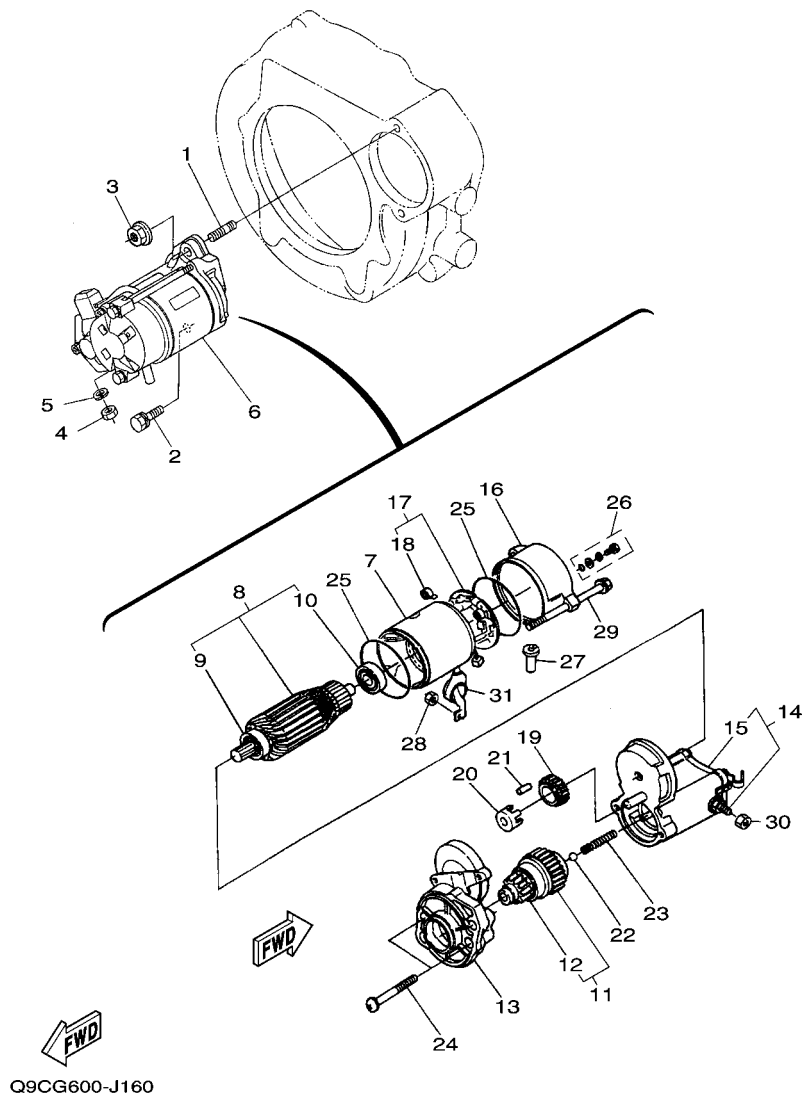
FIG. 15 GENERATOR 1



REF. NO.	PART NO.	DESCRIPTION	Q9CJ				REMARKS
1	YF1-64276-44-20	STAY,DYNAMO	1				
2	YF0-17745-10	BOLT,FLANGE	1				
3	YF0-27716-01	NUT	1				
4	YF0-11275-08-30	BOLT	1				
5	YF0-20565-00-60	NUT	1				
6	YF0-45126-00-60	WASHER,SPRING	1				
7	YF1-92027-42-80	PULLEY,FAN DRIVE	1				
8	YF0-57120-07-20	KEY	1				
9	YF1-51939-70-10	V BELT,A (43IN)	1				
10	YF1-64276-40-12	ASSY ALTERNATOR (12V 30A)	1				
11	YF1-64276-41-10	.PULLEY,ALTERNATOR	1				
12	YF1-58819-20-10	.NUT	1				
13	YF1-58816-41-50	.COLLAR	1				
14	YF6-64366-40-40	.ROTOR	1				
15	YF1-58816-48	..BEARING COVER	1				
16	YF1-66526-47-70	..BALL BEARING	1				
17	YF1-64276-40-20	.FRAME,DRIVE END	1				
18	YF1-58816-47-10	..RETAINER PLATE	1				
19	YF1-58819-30-10	..SCREW,ROUND HEAD	4				
20	YF1-58816-42-60	..THROUGH BOLT	2				
21	YF1-66526-47-80	..BALL BEARING	1				
22	YF1-62416-40-60	.FRAME,END	1				
23	YF1-62316-42-30	.COVER,END	1				
24	YF1-62316-48-50	.ASSY RECTIFIER	1				
25	YF1-62416-49	.BUSH,INSULATION	1				
26	YF1-66526-43-10	.BRUSH HOLDER	1				
27	YF1-58816-40-90	..BRUSH	2				





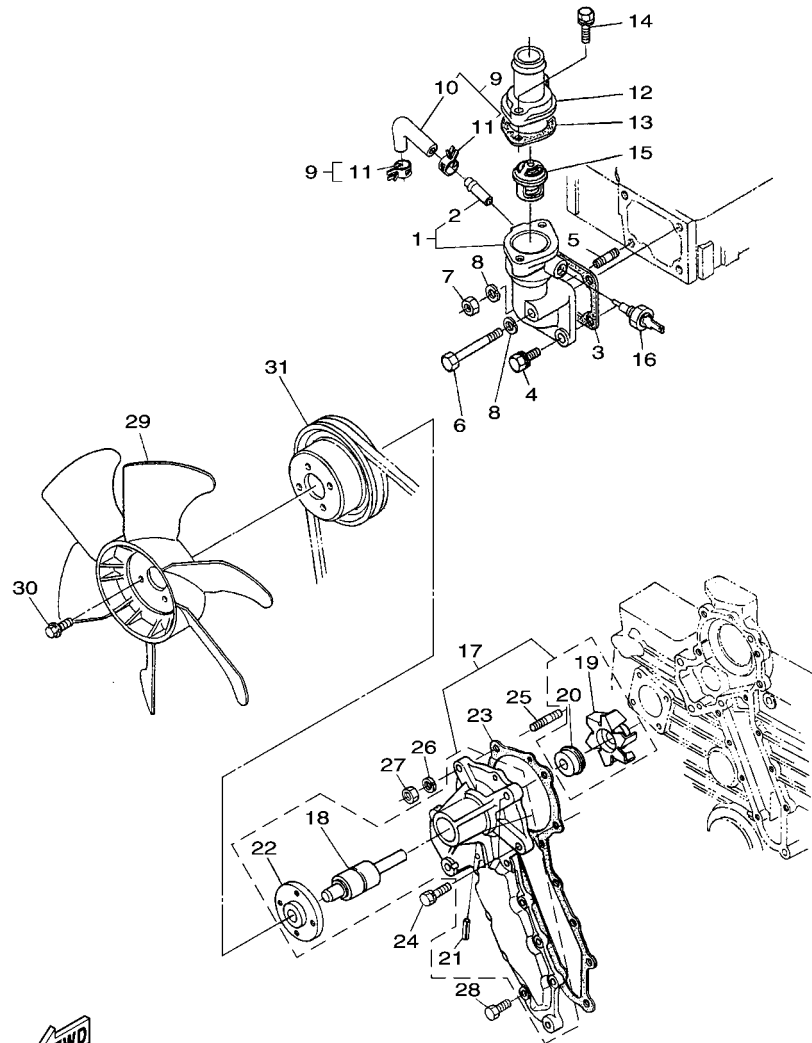


Q9CG600-J160

FIG. 16 STARTING MOTOR

REF. NO.	PART NO.	DESCRIPTION	Q9CJ				REMARKS
1	YF0-15175-10-28	STUD	1				
2	YF0-11335-10-30	BOLT	1				
3	YF0-27716-01	NUT	1				
4	YF0-21145-00-80	NUT	1				
5	YF0-45126-00-80	WASHER,SPRING	1				
6	YF1-54616-30-10	ASSY STARTER	1				
7	YF1-11976-30-80	.ASSY YOKE	1				
8	YF1-11976-30-70	.ASSY ARMATURE	1				
9	YF1-14606-35	..BEARING	1				
10	YF1-14606-35-30	..BEARING	1				
11	YF1-73416-30-40	.CLUTCH,OVER RUNNING	1				
12	YF1-73816-32-80	..PINION,BEVEL	1				
13	YF1-73416-30-30	.FRAME,DRIVE END	1				
14	YF1-11736-30-20	.ASSY SWITCH,MAGNETIC	1				
15	YF1-62859-80-50	..COVER ASSY,(STARTER MAGNET)	1				
16	YF1-73416-32	.FRAME,END	1				
17	YF1-11976-33-80	.ASSY HOLDER,BRUSH	1				
18	YF1-54016-33-90	..SPRING,BRUSH	4				
19	YF1-14606-32-70	.GEAR(2)	1				
20	YF1-14606-31-10	.RETAINER	1				
21	YF1-92126-31	.ROLLER	5				
22	YF1-92129-71-30	.BALL	1				
23	YF1-14606-31-20	.SPRING	1				
24	YF1-14609-33-10	.BOLT	2				
25	YF1-55119-66-60	.O-RING	2				
26	YF1-55116-37-60	.BOLT ASSY	2				
27	YF1-62856-35-70	.PIPE(DRAIN)	1				

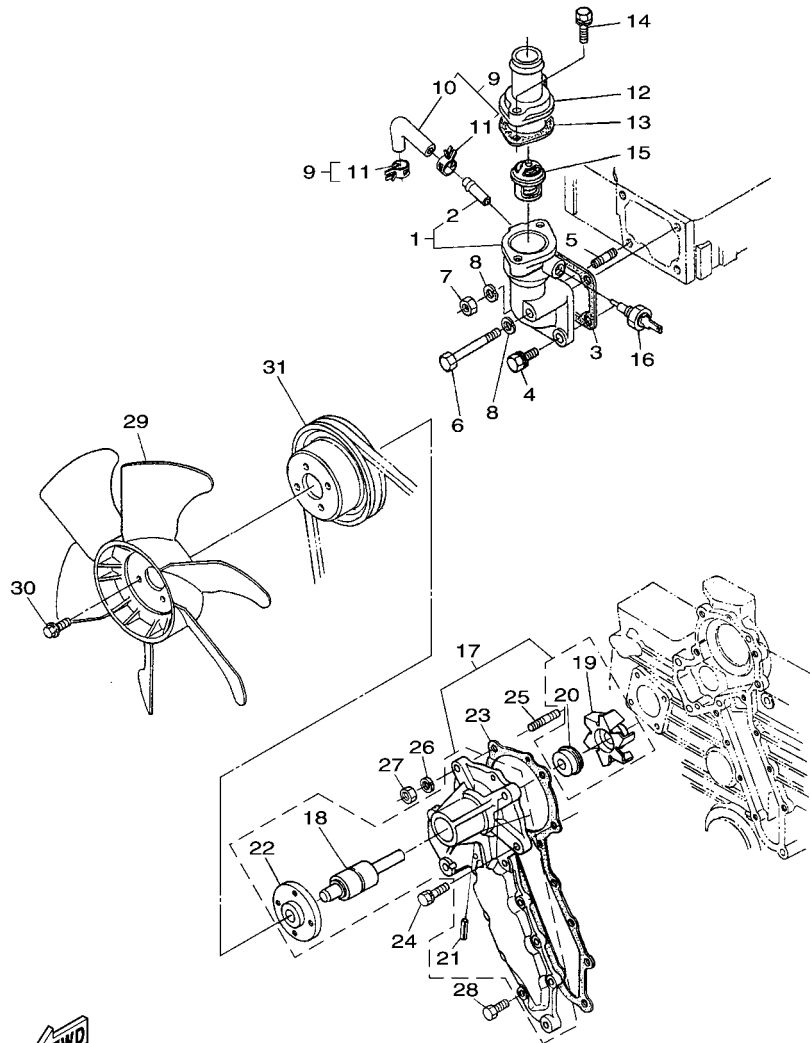




Q9CR600-J170

FIG. 17 WATER PUMP

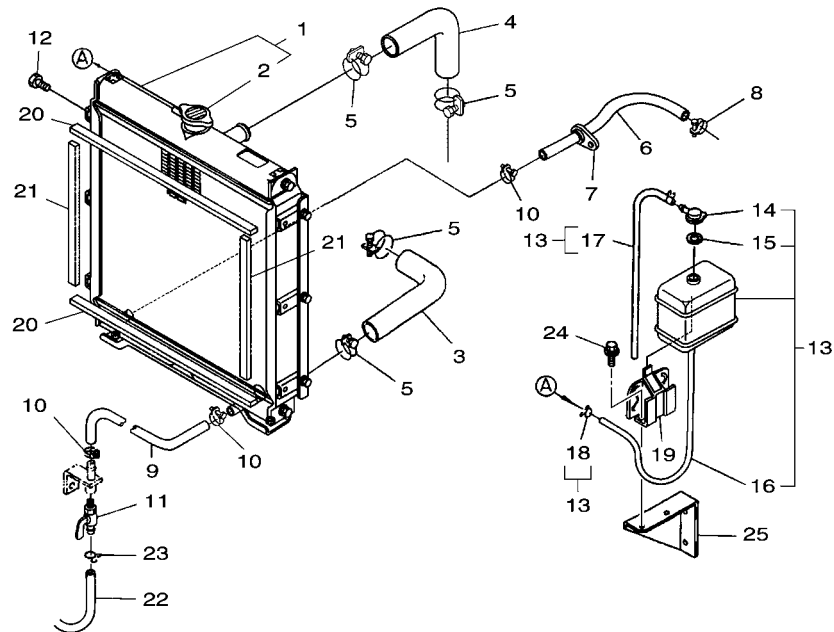
REF. NO.	PART NO.	DESCRIPTION	Q9CJ				REMARKS
1	YF1-51927-27-02	COMP.FLANGE,WATER	1				
2	YF1-73317-33-42	.PIPE,WATER RETURN	1				
3	YF1-A0217-29-20	GASKET,WATER FLANGE	1				
4	YF0-11235-08-20	BOLT	2				
5	YF1-52219-15-30	STUD	1				
6	YF0-11535-08-70	BOLT	1				
7	YF0-21565-00-80	NUT	1				
8	YF0-45126-00-80	WASHER,SPRING	2				
9	YF1-G3697-33-02	ASSY PIPE	1				
10	YF1-G3697-33-40	.PIPE,WATER RETURN	1				
11	YF1-51097-33-60	.BAND,PIPE	2				
12	YF1-53217-32-60	COVER,THERMOSTAT	1				
13	YF1-62217-32-70	GASKET(THERMOSTAT,NA)	1				
14	YF0-11235-08-35	BOLT (7LR1)	2				
15	YF1-94347-30-14	THERMOSTAT ASSY.	1				
16	YF1-55438-30-40	SWITCH, THERMO	1				
17	YF1-55217-30-35	ASSY PUMP,WATER	1				
18	YF1-55217-35-50	.BEARING	1				
19	YF1-A0217-35-10	.IMPELLER,WATER PUMP	1				
20	YF1-66617-30-50	.ASSY SEAL,MECHANICAL	1				
21	YF1-E0173-36-50	.PIN,SPRING	1				
22	YF1-A0217-35-20	.FLANGE,WATER PUMP	1				
23	YF1-57667-34-30	GASKET,WATER PUMP	1				
24	YF0-11235-08-28	BOLT	2				
25	YF0-15185-08-22	STUD	2				
26	YF0-45126-00-80	WASHER,SPRING	2				
27	YF0-21565-00-80	NUT	2				



Q9CR600-J170

FIG. 17 WATER PUMP

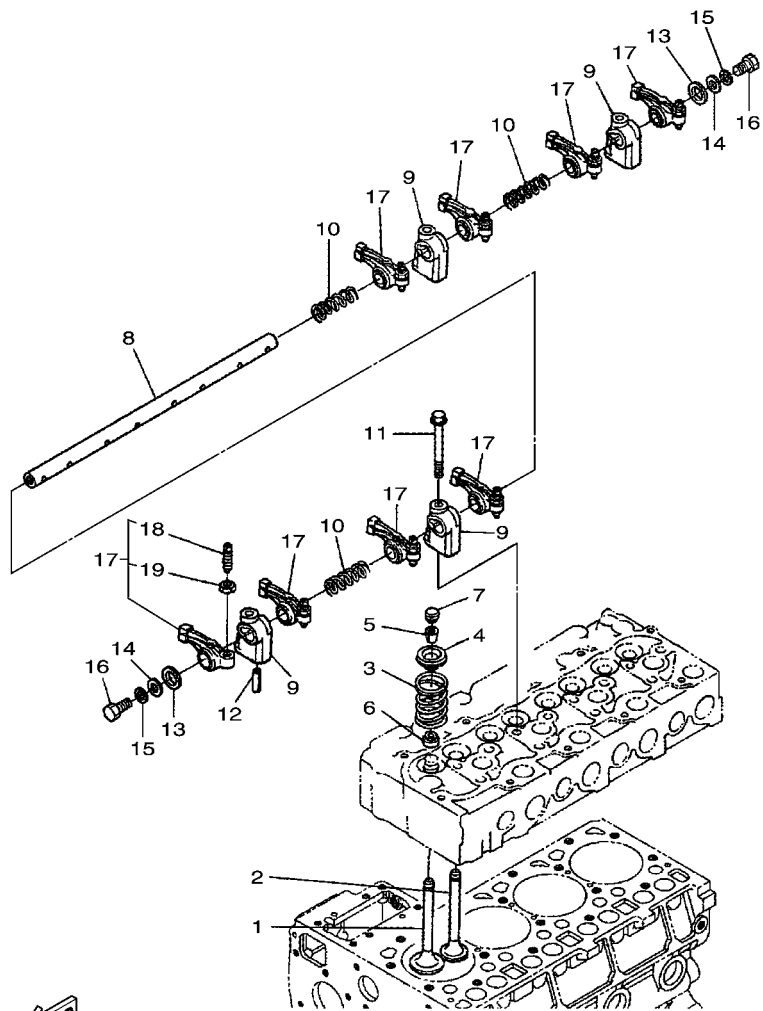
REF. NO.	PART NO.	DESCRIPTION	Q9CJ				REMARKS
28	YF0-10235-06-18	BOLT	8				
29	YF1-73627-41-10	FAN,FP410	1				
30	YF0-17545-06-12	BOLT,FLANGE	4				
31	YF1-73657-42-52	PULLEY,FAN	1				
-----							
-----							
-----							
-----							
-----							
-----							
-----							
-----							
-----							



Q9CH600-J180

FIG. 18 RADIATOR & HOSE

REF. NO.	PART NO.	DESCRIPTION	Q9CJ				REMARKS
1	YF1-G2957-20-60	ASSY RADIATOR	1				
2	YF1-75801-60-60	.CAP(RADIATOR)	1				
3	YF1-G2957-28-50	HOSE,WATER LOWER	1				
4	YF1-G2957-29-40	HOSE,WATER UPPER	1				
5	YF1-51087-28-70	BAND	4				
6	YF1-54617-33-40	PIPE,WATER RETURN	1				
7	YF1-55217-31-40	CLAMP,PIPE	1				
8	YF1-51097-33-60	BAND,PIPE	1				
9	YF1-G2957-53-82	HOSE,DRAIN	1				
10	YF5-53648-17-40	BAND,PIPE	3				
11	YF1-52217-31	COCK,DRAIN	1				
12	YF0-10235-06-12	BOLT	6				
13	YF1-73557-23-80	ASSY TANK,RESERVE	1				
14	YF1-52727-24-20	.CAP	1				
15	YF1-52727-24-32	.GASKET	1				
16	YF1-73257-24-40	.PIPE,WATER OVER FLOW	1				
17	YF6-81114-23-90	.PIPE,WATER OVER FLOW	1				
18	YF1-55017-24-70	.CLIP,PIPE	2				
19	YF1-55217-24-62	STAY,RESERVE TANK	1				
20	YFG-37027-21-90	CUSHION,RADIATOR	2				
21	YFG-37027-21-80	CUSHION,RADIATOR	2				
22	YFG-37007-31-30	TUBE,WATER DRAIN	1				
23	YFG-37007-31-40	CLAMP,TUBE	1				
24	YFG-37009-11-50	BOLT	2				
25	YF3-34004-71	BRACKET,RESERVE TANK	1				



Q9CJ600-J190

FIG. 19 CAMSHAFT & VALVE

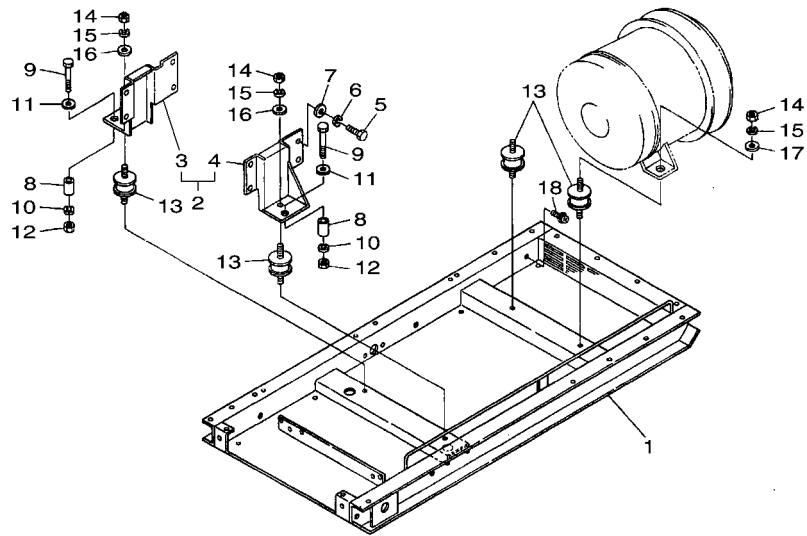
REF. NO.	PART NO.	DESCRIPTION	Q9CJ				REMARKS
1	YF1-G8961-31-10	VALVE,INLET	4				
2	YF1-G8961-31-20	VALVE,EXHAUST	4				
3	YF1-52211-32-40	SPRING,VALVE	8				
4	YF1-52211-33-30	RETAINER,VALVE SP.	8				
5	YF1-52211-39-80	COLLET,VALVE SPRING	8				
6	YF1-52211-31-53	SEAL,VALVE STEM	8				
7	YF1-52211-32-80	CAP, VALVE	8				
8	YF1-A0911-42-60	SHAFT,ROCKER ARM	1				
9	YF1-52211-43-53	BRACKET,ROCKER ARM	4				
10	YF1-52211-43-10	SPRING,ROCKER ARM	3				
11	YF0-17545-08-55	BOLT,FLANGE	4				
12	YF0-54110-05-28	PIN,SPRING	1				
13	YF1-52211-44-30	WASHER,R-ARM.SHAFT	2				
14	YF0-40136-00-80	WASHER,PLATE	2				
15	YF0-45126-00-80	WASHER,SPRING	2				
16	YF0-11535-08-12	BOLT	2				
17	YF1-56211-40-30	ASSY ROCKER ARM	8				
18	YF1-55211-42-30	.SCREW,ADJUSTING	1				
19	YF1-50211-42-40	.NUT	1				







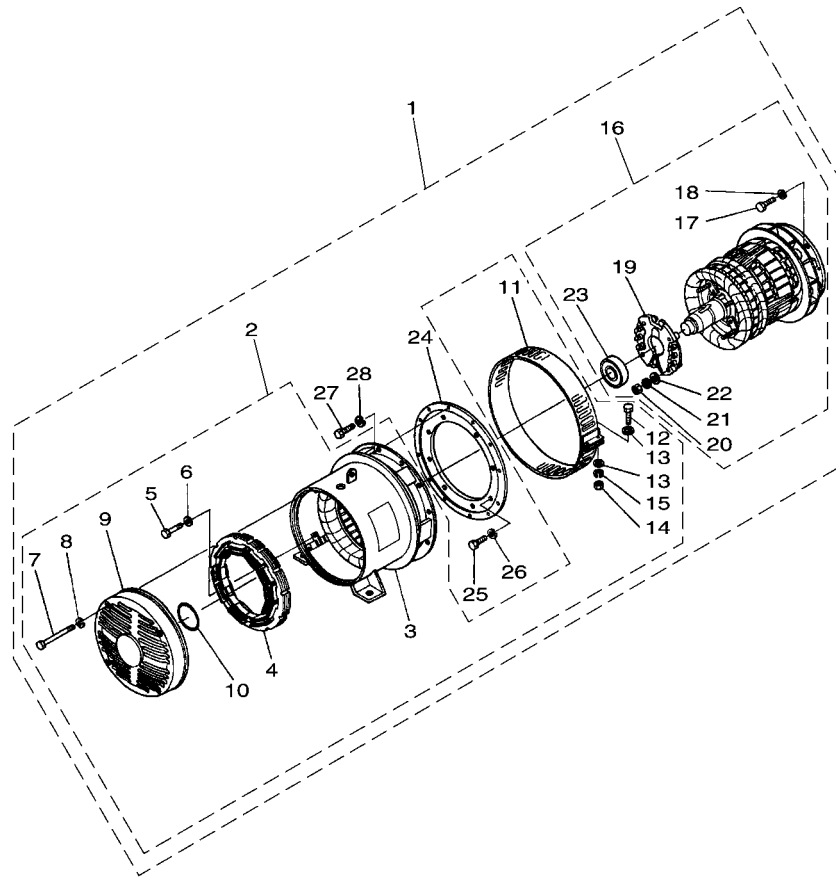




Q9CH600-J230

FIG. 23 FRAME 1

REF. NO.	PART NO.	DESCRIPTION	Q9CJ			REMARKS
1	YFG-37103-05-52	BASE,COMMON	1			
2	YFG-37003-06-92	ASSY BRACKET,ENGINE	1			
3	YFG-37003-06-73	.BRACKET,L-ENGINE	1			
4	YFG-37003-06-83	.BRACKET,R-ENGINE	1			
5	YF0-10735-12-25	BOLT	8			
6	YF0-45126-01-20	WASHER,SPRING	8			
7	YF0-40136-01-20	WASHER, PLAIN	8			
8	YFG-37004-14-40	LIMITER PIPE	2			
9	YFG-37009-11-10	BOLT	2			
10	YF0-45126-01-40	WASHER,SPRING	2			
11	YF0-40136-01-40	WASHER, PLATE	2			
12	YF0-20545-01-40	NUT	2			
13	YFG-37000-61-60	CUSHION,RUBBER	4			
14	YF0-20145-01	NUT	4			
15	YF0-45126-01	WASHER SPRING	4			
16	YF0-40136-01	WASHER,PLAIN	2			
17	YFG-37009-40-10	WASHER,PLAIN	2			
18	YFG-37009-33-30	SCREW,WITH WASHER	2			

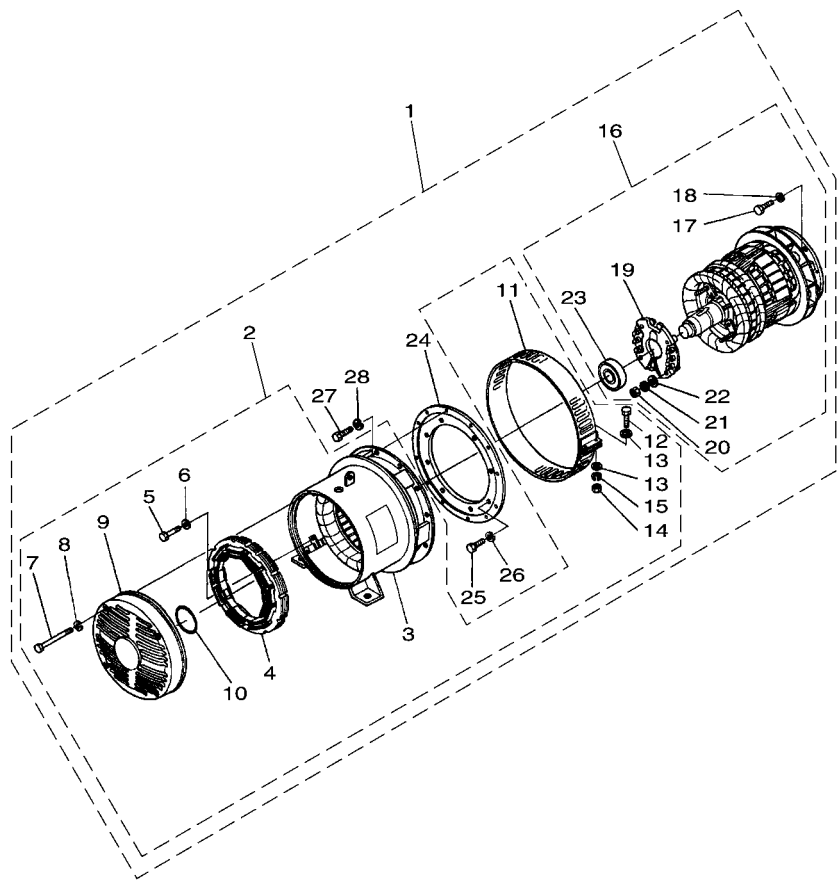


  
Q9CH600-J240

**FIG. 24 GENERATOR 2**

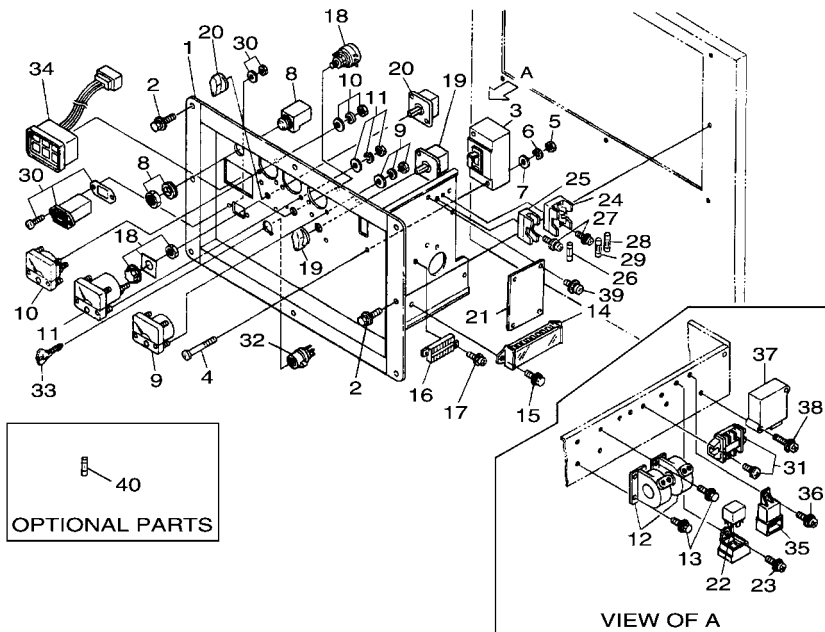
REF. NO.	PART NO.	DESCRIPTION	Q9CJ				REMARKS
1	YFG-37100-21	ASSY GENERATOR	1				
2	YFG-37100-24	..ASSY STATOR	1				
3	YFG-37100-24-10	..COMP.STATOR	1				
4	YFG-37030-25-90	..ASSY COIL,EXCITER	1				
5	YFG-37039-10	..BOLT	4				
6	YFG-37039-11	..WASHER,SPRING	4				
7	YFG-37039-10-10	..BOLT	4				
8	YFG-37039-11-10	..WASHER,SPRING	4				
9	YFG-37030-26-10	..BRACKET,REAR	1				
10	YFG-37031-05-30	..O RING	1				
11	YFG-37030-24-50	..COVER,FAN	1				
12	YFG-37039-10	..BOLT	2				
13	YFG-37039-12	..WASHER,PLAIN	4				
14	YFG-37039-13	..NUT	2				
15	YFG-37039-11	..WASHER,SPRING	2				
16	YFG-37100-23	..ASSY ROTOR	1				
17	YFG-37039-10-20	..BOLT	6				
18	YFG-37039-11-10	..WASHER,SPRING	6				
19	YFG-37030-26-52	..ASSY DIODE	1				
20	YFG-37039-13-10	..NUT	4				
21	YFG-37039-11	..WASHER,SPRING	4				
22	YFG-37039-12-10	..WASHER,PLAIN	4				
23	YFG-37032-62-90	..BEARING,BALL	1				
24	YFG-37032-55-60	..ADAPTER	1				
25	YFG-37039-10-30	..BOLT	8				
26	YFG-37039-11-20	..WASHER,SPRING	8				
27	YFG-37039-10-40	..BOLT	12				

FIG. 24 GENERATOR 2



**FWD**  
Q9CH600-J240

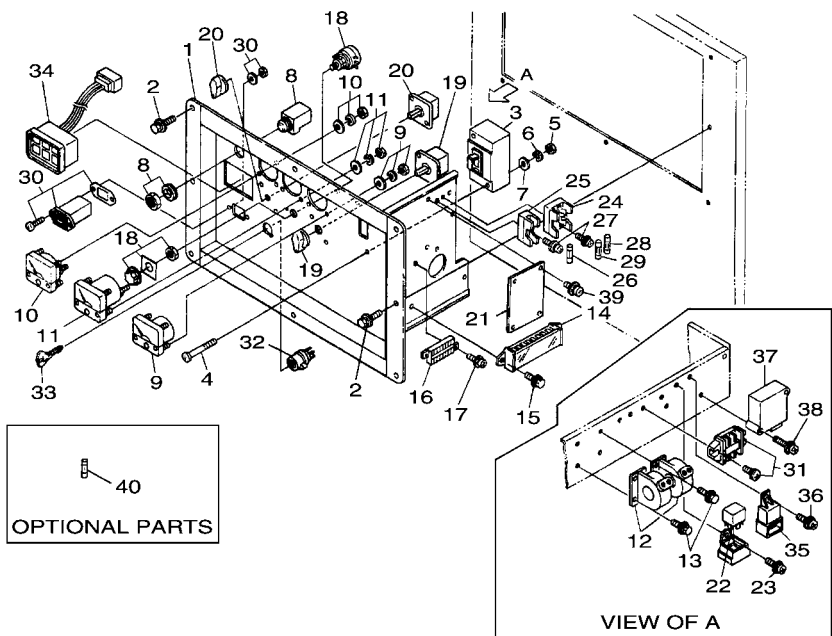
REF. NO.	PART NO.	DESCRIPTION	Q9CJ				REMARKS
28	YFG-37039-11-20	.WASHER,SPRING	12				



  
Q9CJ600-J250

**FIG. 25 ELECTRICAL 1**

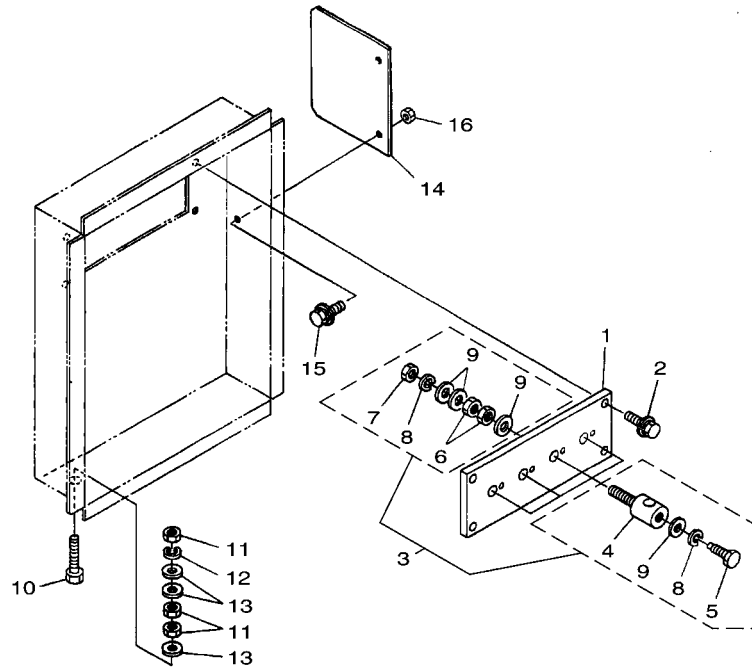
REF. NO.	PART NO.	DESCRIPTION	Q9CJ				REMARKS
1	YF2-41002-33	CASE,PANEL	1				
2	YFG-37009-11-70	BOLT	8				
3	YFG-37020-35-20	BREAKER (30A)	1				
4	YFG-37009-33-40	SCREW,PAN-HEAD	2				
5	YF0-20545-00-40	NUT	2				
6	YF0-45126-00-40	WASHER,SPRING	2				
7	YF0-40136-00-40	WASHER,PLATE	4				
8	YFG-37000-39	LAMP,PILOT	1				
9	YFG-37130-36-90	METER,AMPERE	1				
10	YFG-37030-35-50	METER,VOLTAGE	1				
11	YFG-37000-36-10	METER,HZ	1				
12	YFG-37000-38-20	TRANSFORMER,CURRENT	2				
13	YFG-37009-12	BOLT	4				
14	YFG-37031-07-40	BASE,TERMINAL	1				
15	YFG-37009-11-80	BOLT	2				
16	YFG-37033-07-50	BASE,TERMINAL	1				
17	YFG-37039-14-10	SCREW,WITH WASHER	2				
18	YFG-38100-38-70	TRIMMER,HAND	1				
19	YFG-37000-38-80	SWITCH,A-CHANGE	1				
20	YFG-37000-38-90	SWITCH,V-CHANGE	1				
21	YFG-37030-28	REGULATOR,VOLTAGE	1				
22	YFG-37006-33-80	RELAY	1				
23	YF0-30345-05-10	SCREW,WITH WASHER	1				
24	YFG-37000-34-90	HOLDER,FUSE	1				
25	YFG-37030-35-30	HOLDER,FUSE	1				
26	YFG-37030-35-10	FUSE (2A)	1				
27	YF0-30345-04-10	SCREW,WITH WASHER	3				



  
Q9CJ600-J250

**FIG. 25 ELECTRICAL 1**

REF. NO.	PART NO.	DESCRIPTION	Q9CJ				REMARKS
28	YFG-37000-34-80	FUSE (15A)	1				
29	YFG-37000-35	FUSE (10A)	1				
30	YFG-37006-13-50	METER, HOUR	1				
31	YFG-37001-07-50	BASE, TERMINAL	1				
32	YF3-74105-91-10	SWITCH, STARTER	1				
33	YF3-74105-51-50	KEY, STARTER	1				
34	YFG-36007-02	ASSY LAMP, COMBINA/T	1				
35	YF1-56946-59-90	LAMP TIMER	1				
36	YFG-37009-33-20	SCREW, WITH WASHER	1				
37	YF1-71476-06-02	EMERGENCY UNIT (EG-1)	1				
38	YFG-37009-33-10	SCREW, WITH WASHER	2				
39	YF0-30345-05-25	SCREW, WITH WASHER	4				
40	YFG-37030-35-10	FUSE (2A)	1				AP

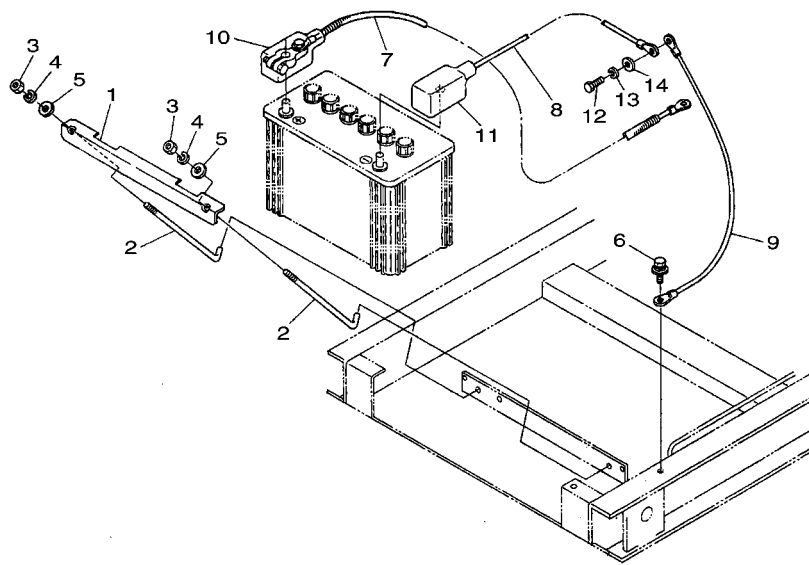


  
 Q9CJ600-J260

**FIG. 26 ELECTRICAL 2**

REF. NO.	PART NO.	DESCRIPTION	Q9CJ				REMARKS
1	YFG-37400-32-40	PLATE,TERMINAL	1				
2	YF0-10255-06-25	BOLT	4				
3	YFG-37362-06	ASSY TERMINAL	4				
4	YFG-37362-06-20	.TERMINAL	4				
5	YFG-37369-12-20	.BOLT	4				
6	YFG-37369-20-20	.NUT	8				
7	YF0-20145-01	.NUT	4				
8	YF0-45126-01	.WASHER SPRING	8				
9	YFG-37369-40-30	.WASHER,PLAIN	16				
10	YF0-10535-10-40	BOLT	1				
11	YF0-20145-01	NUT	3				
12	YF0-45126-01	WASHER SPRING	1				
13	YF0-40136-01	WASHER,PLAIN	3				
14	YF4-43005-71	COVER,TERMINAL	1				
15	YFG-37009-11-80	BOLT	2				
16	YFG-37369-20-20	NUT	2				



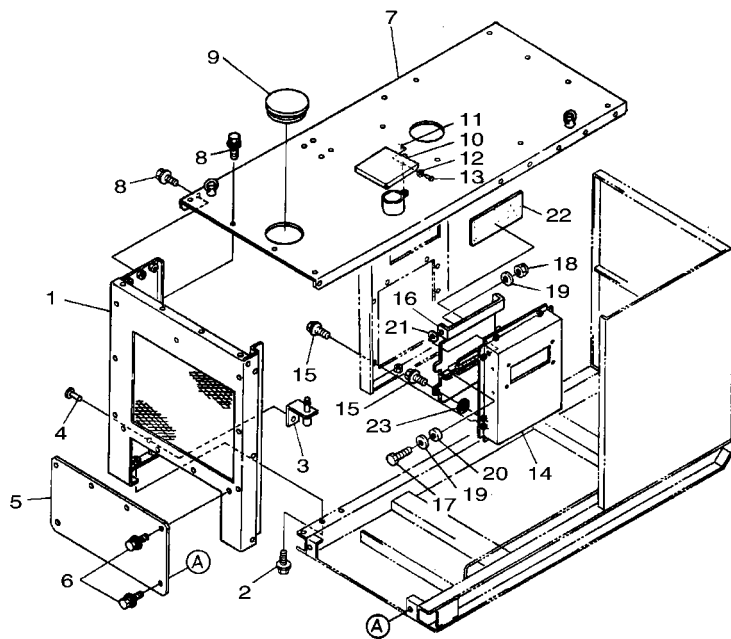


  
 Q9CR600-J270

**FIG. 27 ELECTRICAL 3**

REF. NO.	PART NO.	DESCRIPTION	Q9CJ				REMARKS
1	YF4-34007-11	SUPPORT,BATTERY	1				
2	YF4-44002-24-30	BOLT,HOOK(BATTERY)	2				
3	YF1-NM6A7-00	NUT	2				
4	YFW-MS6A7-00	WASHER,SPRING	2				
5	YFM-51663-4C-10	WASHER,PLAIN	2				
6	YFG-37009-33-30	SCREW,WITH WASHER	1				
7	YFG-37104-17-20	CORD,BATTERY(+)	1				
8	YFG-37006-55-60	CORD,BATTERY(-)	1				
9	YFG-37006-79-10	CORD,EARTH	1				
10	YFG-37006-38-70	COVER,BATTERY(RED)	1				
11	YFG-37006-38-80	COVER,BATTERY(BLACK)	1				
12	YF0-10735-10-20	BOLT	1				
13	YF0-45126-01	WASHER SPRING	1				
14	YF0-40136-01	WASHER,PLAIN	1				



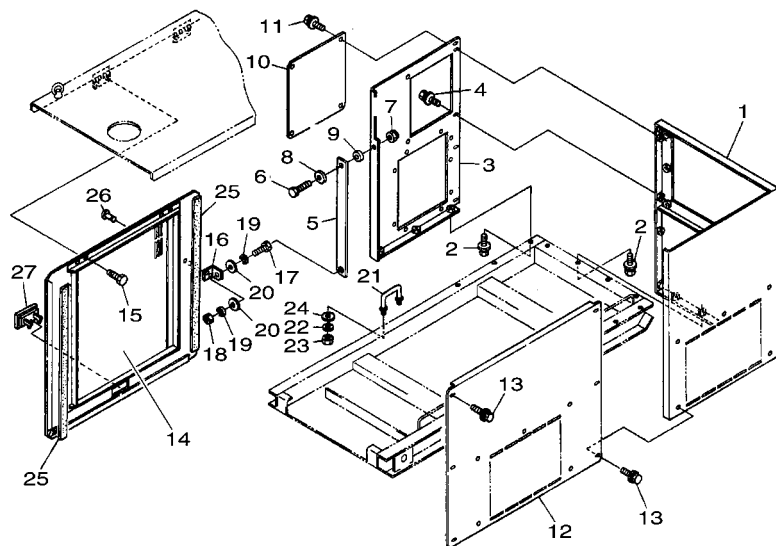


  
 Q9CR600-J290

FIG. 29 FRAME 2

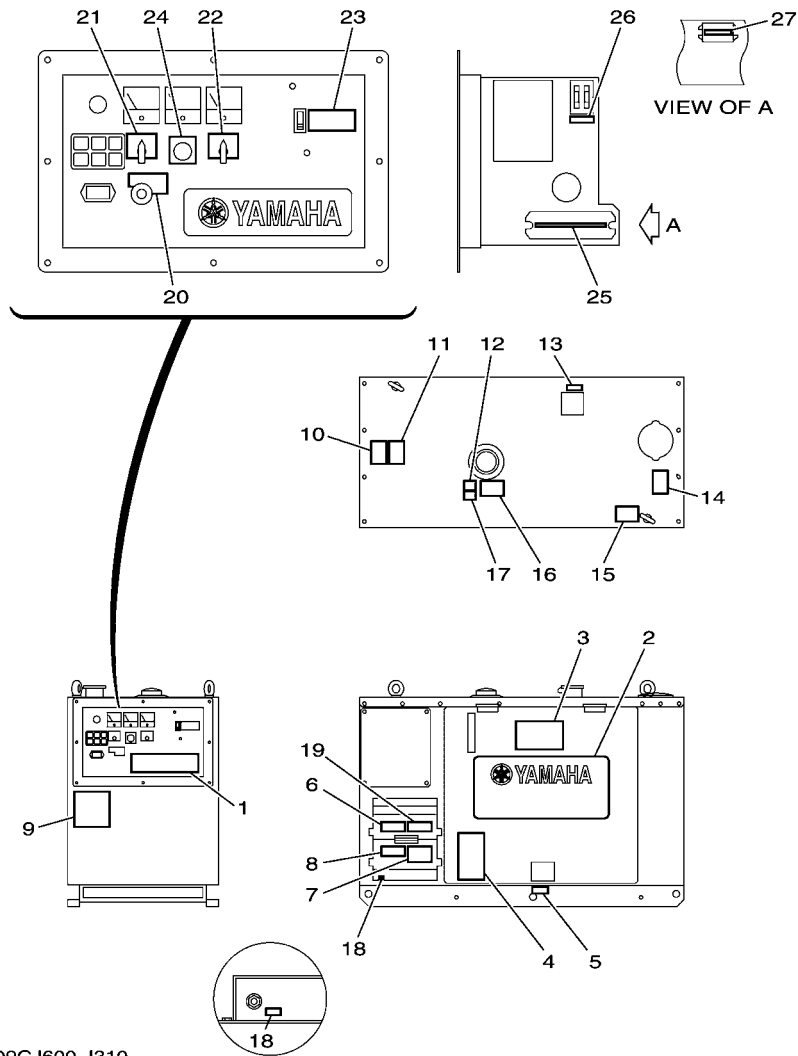
REF. NO.	PART NO.	DESCRIPTION	Q9CJ				REMARKS
1	YF3-T3036-89-10	PLATE KIT,FRONT	1				
2	YFG-37009-12-10	BOLT	6				
3	YF4-50000-70	HOLDER,COCK BASE	1				
4	YFG-37009-48-70	RIVET	2				
5	YF3-35009-70	COVER,FRONT	1				
6	YFG-37009-11-90	BOLT	6				
7	YFG-37103-05-30	COMP PLATE,ROOF	1				
8	YFG-37009-12-10	BOLT	20				
9	YFG-37007-51-10	COVER,RADIATOR TOP	1				
10	YFG-37001-26-70	CAP,MUFFLER	1				
11	YFG-37009-48-10	PIN,SNAP	1				
12	YF0-40125-00-60	WASHER,PLATE	1				
13	YF3-40704-42-40	PIN,JOINT	1				
14	YF3-43007-60	CASE,LOAD CENTER	1				
15	YFG-37009-11-70	BOLT	8				
16	YF3-43005-91	COVER,LOAD CENTER	1				
17	YF0-10535-10-30	BOLT	2				
18	YFG-37009-25	NUT,U	2				
19	YF0-40136-01	WASHER,PLAIN	4				
20	YFG-37009-66-50	RUBBER	2				
21	YFG-37009-40-10	WASHER,PLAIN	2				
22	YFG-37369-66-70	RUBBER	1				
23	YFG-37369-53-60	WASHER,LOCK	2				

FIG. 30 FRAME 3



  
Q9CR600-J300

REF. NO.	PART NO.	DESCRIPTION	Q9CJ				REMARKS
1	YF2-31007-11	COMP PLATE,REAR	1				
2	YFG-37009-12-10	BOLT	9				
3	YF3-31020-71	PLATE,REAR SIDE	1				
4	YFG-37009-12-10	BOLT	5				
5	YF4-31002-81	ROD,DOOR STOPPER	1				
6	YF0-10535-10-30	BOLT	1				
7	YFG-37009-25	NUT,U	1				
8	YF0-40136-01	WASHER,PLAIN	2				
9	YFG-37009-66-50	RUBBER	1				
10	YF4-31003-61	COVER,AVR	1				
11	YFG-37009-12-10	BOLT	4				
12	YF3-31027-92	PLATE,LEFT	1				
13	YFG-37009-12-10	BOLT	6				
14	YF2-31014-00	DOOR,SIDE	1				
15	YFG-37009-11-50	BOLT	4				
16	YF4-31002-90	STOPPER,DOOR	1				
17	YF0-10535-08-30	BOLT	1				
18	YF0-20545-00-80	NUT	1				
19	YF0-45126-00-80	WASHER,SPRING	2				
20	YF0-40125-00-80	WASHER,PLATE	2				
21	YFG-37003-00-90	HOOK,SIDE DOOR	1				
22	YF0-45126-00-60	WASHER,SPRING	2				
23	YF0-20145-00-60	NUT	2				
24	YF0-40125-00-60	WASHER,PLATE	2				
25	YFG-37009-66-60	SEAL,RUBBER	2				
26	YFG-37009-48-70	RIVET	2				
27	YF5-K1906-13-61	ASSY HANDLE,LOCK	1				



Q9CJ600-J310

FIG. 31 LABELS

REF. NO.	PART NO.	DESCRIPTION	Q9CJ				REMARKS
1	YF4-T5016-83	MARK (YAMAHA)	1				
2	YF4-T5016-86	MARK (EDL18000STE)	1				
3	YF3-T5016-91	LABEL,COVER OPEN	1				
4	YFG-38108-86-52	LABEL,OPERATION	1				
5	YFG-37008-85-91	LABEL,OIL DRAIN	1				
6	YFG-33418-83-01	LABEL,CAUTION	1				
7	YFG-33418-83-11	LABEL,CAUTION	1				
8	YFG-33418-89-51	LABEL,CAUTION (WIRING)	1				
9	YFG-37008-82-31	LABEL,INSTRUCTION	1				
10	YF3-T5016-92	LABEL,STARTER	1				
11	YFG-33418-82-41	LABEL,WARNING	1				
12	YF1-89015-09-02	LABEL,FUEL	1				
13	YF3-T5016-93	LABEL,HI-TEMP.	1				
14	YF3-T5016-94	LABEL,RADIATOR CAUT.	1				
15	YF3-T5016-95	LABEL,HOOK CAUTION	1				
16	YFG-33418-84-01	LABEL,WARNING (FUEL)	1				
17	YFG-37008-84-11	LABEL,FUEL (37L)	1				
18	YF4-70008-10	LABEL,GROUND	1				
19	YFG-33418-82-21	LABEL,WARNING	1				
20	YFG-37008-85-21	LABEL,STARTER SWITCH	1				
21	YFG-37008-85-31	LABEL,VOLT.SW-CHANGE	1				
22	YFG-37008-85-41	LABEL,E/T.SW-CHANGE	1				
23	YFG-37008-80-41	LABEL,CAUTION BREAKER	1				
24	YF4-E5010-50	LABEL,OPERATION	1				
25	YFG-37008-84-91	LABEL,TERMINAL	1				
26	YFG-37008-80-91	LABEL,FUSE	1				
27	YFG-37008-84-81	LABEL,TERMINAL	1				

NUMERICAL INDEX

PART NO.	REF. NO.	PART NO.	REF. NO.	PART NO.	REF. NO.	PART NO.	REF. NO.	PART NO.	REF. NO.	PART NO.	REF. NO.
YF0-10235-06-12	18 - 12	YF3-12201-41-70	9 - 5	YF4-31003-61	30 - 10	YFG-37006-55-60	27 - 8	YFG-37009-66-50	29 - 20	YFG-37130-36-90	25 - 9
YF0-10235-06-18	10 - 35	YF3-13511-81-10	22 - 11	YF2-31007-11	30 - 1	YFG-37006-79-10	27 - 9		30 - 9	YFG-37130-37-90	28 - 5
	17 - 28	YF1-14606-31-10	16 - 20	YF2-31014-00	30 - 14	YFG-37007-31-30	18 - 22	YFG-37009-66-60	30 - 25	YFG-37130-38-02	28 - 6
YF0-10235-06-20	4 - 21	YF1-14606-31-20	16 - 23	YF3-31020-71	30 - 3	YFG-37007-31-40	14 - 19	YFG-37020-35-20	25 - 3	YFG-37360-38-50	28 - 7
	11 - 35	YF1-14606-32-70	16 - 19	YF3-31027-92	30 - 12		18 - 23	YFG-37022-03-40	28 - 3	YFG-37362-06	26 - 3
YF0-10235-06-22	10 - 36	YF1-14606-35	16 - 9	YFG-33418-82-21	31 - 19	YFG-37007-51-10	29 - 9	YFG-37026-58-30	28 - 4	YFG-37362-06-20	26 - 4
YF0-10255-06-25	26 - 2	YF1-14606-35-30	16 - 10	YFG-33418-82-41	31 - 11	YFG-37008-80-41	31 - 23	YFG-37027-21-80	18 - 21	YFG-37369-12-20	26 - 5
YF0-10255-06-30	11 - 19	YF1-14609-33-10	16 - 24	YFG-33418-83-01	31 - 6	YFG-37008-80-91	31 - 26	YFG-37027-21-90	18 - 20	YFG-37369-20-20	26 - 6
YF0-10535-06-50	6 - 6	YF0-15135-08-22	21 - 6	YFG-33418-83-11	31 - 7	YFG-37008-82-31	31 - 9	YFG-37030-24-50	24 - 11		26 - 16
YF0-10535-08-30	30 - 17	YF0-15175-10-28	16 - 1	YFG-33418-84-01	31 - 16	YFG-37008-84-11	31 - 17	YFG-37030-25-90	24 - 4	YFG-37369-40-30	26 - 9
YF0-10535-10-30	29 - 17	YF0-15185-08-22	17 - 25	YFG-33418-89-51	31 - 8	YFG-37008-84-81	31 - 27	YFG-37030-26-10	24 - 9	YFG-37369-53-60	29 - 23
	30 - 6	YF0-17545-06-12	17 - 30	YF4-34002-91	28 - 9	YFG-37008-84-91	31 - 25	YFG-37030-26-52	24 - 19	YFG-37369-66-70	29 - 22
YF0-10535-10-40	26 - 10	YF0-17545-06-18	11 - 14	YF3-34004-71	18 - 25	YFG-37008-85-21	31 - 20	YFG-37030-28	25 - 21	YFG-37400-32-40	26 - 1
YF0-10735-10-20	27 - 12	YF0-17545-08-20	11 - 6	YF3-34005-10	22 - 12	YFG-37008-85-31	31 - 21	YFG-37030-35-10	25 - 26	YFG-38100-38-70	25 - 18
YF0-10735-10-30	9 - 8	YF0-17545-08-30	11 - 18	YF4-34007-11	27 - 1	YFG-37008-85-41	31 - 22		25 - 40	YFG-38108-86-52	31 - 4
YF0-10735-12-25	23 - 5	YF0-17545-08-55	19 - 11	YF3-35009-70	29 - 5	YFG-37008-85-91	31 - 5	YFG-37030-35-30	25 - 25	YF1-39639-20-10	16 - 28
	28 - 10	YF0-17545-08-85	4 - 12	YFG-36001-16-20	22 - 9	YFG-37009-11-10	23 - 9	YFG-37030-35-50	25 - 10	YF0-40125-00-60	10 - 37
YF0-11235-08-18	7 - 8	YF0-17745-10	15 - 2	YFG-36001-21-10	21 - 7	YFG-37009-11-50	2 - 24	YFG-37031-05-30	24 - 10		10 - 47
	7 - 14	YF0-20145-00-60	11 - 41	YFG-36004-10-10	14 - 1		18 - 24	YFG-37031-07-40	25 - 14		11 - 43
YF0-11235-08-20	2 - 14		30 - 23	YFG-36004-17-10	14 - 16		22 - 14	YFG-37032-55-60	24 - 24		29 - 12
	2 - 22	YF0-20145-01	23 - 14	YFG-36005-75-80	10 - 20		30 - 15	YFG-37032-62-90	24 - 23		30 - 24
	17 - 4		26 - 7	YFG-36007-02	25 - 34	YFG-37009-11-60	22 - 15	YFG-37033-07-50	25 - 16	YF0-40125-00-80	2 - 23
YF0-11235-08-22	20 - 4		26 - 11	YFG-37000-34-80	25 - 28	YFG-37009-11-70	25 - 2	YFG-37039-10	24 - 5		3 - 6
YF0-11235-08-25	8 - 7	YF0-20545-00-40	25 - 5	YFG-37000-34-90	25 - 24		29 - 15		24 - 12		10 - 44
YF0-11235-08-28	8 - 8	YF0-20545-00-80	30 - 18	YFG-37000-35	25 - 29	YFG-37009-11-80	25 - 15	YFG-37039-10-10	24 - 7		13 - 11
	17 - 24	YF0-20545-01-40	23 - 12	YFG-37000-36-10	25 - 11		26 - 15	YFG-37039-10-20	24 - 17		30 - 20
YF0-11235-08-35	13 - 8	YF0-20565-00-60	4 - 25	YFG-37000-38-20	25 - 12	YFG-37009-11-90	29 - 6	YFG-37039-10-30	24 - 25	YF0-40136-00-40	12 - 20
	17 - 14		10 - 40	YFG-37000-38-80	25 - 19	YFG-37009-12	25 - 13	YFG-37039-10-40	24 - 27		25 - 7
YF0-11235-08-65	10 - 18		11 - 38	YFG-37000-38-90	25 - 20	YFG-37009-12-10	29 - 2	YFG-37039-11	24 - 6	YF0-40136-00-80	11 - 30
YF0-11235-08-70	10 - 19		15 - 5	YFG-37000-39	25 - 8		29 - 8		24 - 15		19 - 14
YF0-11236-08-14	10 - 13	YF0-21125-00-80	11 - 31	YFG-37000-61-60	23 - 13		30 - 2		24 - 21	YF0-40136-01	23 - 16
YF0-11236-08-16	2 - 8	YF0-21145-00-80	13 - 10	YFG-37001-07-50	25 - 31		30 - 4	YFG-37039-11-10	24 - 8		26 - 13
	3 - 2		16 - 4	YFG-37001-26-70	29 - 10		30 - 11		24 - 18		27 - 14
	10 - 43	YF0-21565-00-80	3 - 4	YFG-37002-03-43	28 - 2		30 - 13	YFG-37039-11-20	24 - 26		29 - 19
YF0-11255-08-30	14 - 14		17 - 7	YFG-37003-00-90	30 - 21	YFG-37009-25	29 - 18		24 - 28		30 - 8
YF0-11275-08-30	15 - 4		17 - 27	YFG-37003-06-73	23 - 3		30 - 7	YFG-37039-12	24 - 13	YF0-40136-01-20	23 - 7
YF0-11335-10-30	16 - 2		21 - 9	YFG-37003-06-83	23 - 4	YFG-37009-33-10	25 - 38	YFG-37039-12-10	24 - 22		28 - 12
YF0-11335-12-25	13 - 12	YF0-27515-00-80	11 - 8	YFG-37003-06-92	23 - 2	YFG-37009-33-20	25 - 36	YFG-37039-13	24 - 14	YF0-40136-01-40	23 - 11
YF1-11514-12-60	14 - 2	YF0-27615-00-40	12 - 19	YFG-37004-11-30	14 - 20	YFG-37009-33-30	23 - 18	YFG-37039-13-10	24 - 20	YF0-40155-00-80	14 - 11
YF0-11535-08-12	9 - 6	YF0-27716-01	15 - 3	YFG-37004-11-40	14 - 21		27 - 6	YFG-37039-14-10	25 - 17	YF3-40704-42-20	10 - 38
	19 - 16		16 - 3	YFG-37004-12	14 - 22	YFG-37009-33-40	25 - 4	YFG-37100-21	24 - 1	YF3-40704-42-40	29 - 13
YF0-11535-08-70	17 - 6	YF0-30245-05-10	5 - 7	YFG-37004-14-40	23 - 8	YFG-37009-40-10	23 - 17	YFG-37100-23	24 - 16	YF2-41002-33	25 - 1
YF1-11736-30-20	16 - 14	YF0-30245-05-20	12 - 16	YFG-37004-24-50	14 - 18		29 - 21	YFG-37100-24	24 - 2	YF1-41114-24-10	11 - 9
YF1-11736-31-30	16 - 31	YF0-30345-04-10	25 - 27	YFG-37005-72-70	11 - 39	YFG-37009-48-10	11 - 40	YFG-37100-24-10	24 - 3	YF1-41829-20-30	15 - 35
YF1-11976-30-70	16 - 8	YF0-30345-05-10	25 - 23	YFG-37006-13-50	25 - 30		29 - 11	YFG-37102-03-50	28 - 1	YF3-42601-39-60	22 - 7
YF1-11976-30-80	16 - 7	YF0-30345-05-25	25 - 39	YFG-37006-33-80	25 - 22	YFG-37009-48-70	22 - 13	YFG-37103-05-30	29 - 7	YF3-42601-39-70	22 - 8
YF1-11976-33-20	16 - 29	YF4-31002-81	30 - 5	YFG-37006-38-70	27 - 10		29 - 4	YFG-37103-05-52	23 - 1	YF1-42614-13-52	14 - 4
YF1-11976-33-80	16 - 17	YF4-31002-90	30 - 16	YFG-37006-38-80	27 - 11		30 - 26	YFG-37104-17-20	27 - 7	YF4-43005-71	26 - 14

NUMERICAL INDEX

PART NO.	REF. NO.	PART NO.	REF. NO.	PART NO.	REF. NO.	PART NO.	REF. NO.	PART NO.	REF. NO.	PART NO.	REF. NO.
YF3-43005-91	29 - 16	YF0-50120-10-18	1 - 11	YF1-52218-82-10	11 - 36	YF1-55217-30-35	17 - 17	YF1-58819-10-50	15 - 34	YF1-71473-31-30	2 - 21
YF3-43007-60	29 - 14	YF1-50211-42-40	19 - 19	YF1-52219-15-30	11 - 7	YF1-55217-31-40	18 - 7	YF1-58819-20-10	15 - 12	YF1-71473-32-10	2 - 15
YF1-43014-23-60	14 - 17	YF1-50213-36-60	1 - 15		17 - 5	YF1-55217-33-20	4 - 19	YF1-58819-20-20	15 - 33	YF1-71473-33-90	2 - 17
YF1-43014-27-50	13 - 17		10 - 25		21 - 4	YF1-55217-35-50	17 - 18	YF1-58819-30-10	15 - 19	YF1-71476-06-02	25 - 37
YF4-44002-24-30	27 - 2	YF1-51084-32-90	13 - 5	YF1-52238-33-40	4 - 22	YF1-55219-23-30	10 - 24	YF1-58819-30-20	15 - 29	YF1-71835-16-50	10 - 28
YF0-45125-00-80	21 - 10	YF1-51085-72-80	10 - 41	YF1-52244-32	13 - 3	YF1-55219-60-20	1 - 2	YF1-58819-30-30	15 - 30	YF1-71893-90-10	13 - 18
YF0-45126-00-40	25 - 6	YF1-51087-28-70	18 - 5	YF1-52251-62-14	10 - 14	YF1-55219-60-30	1 - 3	YF1-58819-30-40	15 - 31	YF1-72483-33-40	2 - 4
YF0-45126-00-60	4 - 26	YF1-51093-36-60	2 - 20	YF1-52413-69-50	4 - 16	YF0-55256-06	10 - 48	YF1-59573-37-40	2 - 18	YF1-72483-34-50	2 - 6
	6 - 7	YF1-51097-33-60	17 - 11	YF1-52619-60-10	3 - 10	YF1-55438-30-40	17 - 16	YF1-59574-20-50	14 - 12	YF3-73003-51-20	14 - 9
	11 - 15		18 - 8	YF1-52714-27-10	12 - 3	YF1-56010-45-60	8 - 19	YF1-59774-10-20	13 - 13	YF3-73003-51-40	14 - 10
	11 - 37	YFM-51663-4C-10	27 - 5	YF1-52727-24-20	18 - 14	YF1-56011-55-50	7 - 1	YF1-62217-32-70	17 - 13	YF3-73003-51-60	14 - 7
	11 - 42	YF1-51920-16-12	2 - 1	YF1-52727-24-32	18 - 15	YF1-56015-60-20	11 - 11	YF1-62316-42-30	15 - 23	YF1-73112-20-12	8 - 24
	15 - 6	YF1-51924-34-30	13 - 7	YF1-53217-32-60	17 - 12	YF1-56015-64-80	11 - 20	YF1-62316-48-50	15 - 24	YF1-73112-23-12	8 - 27
	30 - 22	YF1-51927-27-02	17 - 1	YF1-53217-33-40	1 - 17	YF1-56019-20-12	11 - 24	YF1-62416-40-60	15 - 22	YF1-73112-29-70	8 - 27
YF0-45126-00-80	3 - 5	YF1-51929-66-70	2 - 5	YF5-53648-17-40	2 - 16	YF1-56019-66-50	11 - 25	YF1-62416-49	15 - 25	YF1-73112-29-80	8 - 27
	9 - 7	YF1-51934-13-80	14 - 5		18 - 10	YF1-56115-56-90	10 - 7	YF1-62718-74-50	22 - 6	YF1-73211-35-80	3 - 11
	16 - 5	YF1-51934-30-10	13 - 1	YF1-53834-20-20	13 - 16	YF1-56211-40-30	19 - 17	YF1-62719-61-60	1 - 5	YF1-73257-34-40	18 - 16
	17 - 8	YF1-51938-74-60	13 - 6	YF1-54011-17-20	22 - 10	YF1-56283-21-10	2 - 7	YF1-62856-35-70	16 - 27	YF1-73261-22-31	21 - 8
	17 - 26	YF1-51939-70-10	15 - 9	YF1-54016-33-90	16 - 18	YF1-56946-59-90	25 - 35	YF1-62859-20-10	16 - 30	YF1-73312-10-50	8 - 21
	19 - 15	YF1-52210-17-50	3 - 1	YF1-54019-20-10	10 - 23	YF0-57120-04-08	11 - 28	YF1-62859-80-50	16 - 15	YF1-73312-10-90	8 - 21
	30 - 19	YF1-52210-33-70	3 - 8	YF1-54034-34-50	13 - 9	YF0-57120-04-10	6 - 9	YF1-62861-10-13	22 - 1	YF1-73312-19-80	8 - 25
YF0-45126-01	9 - 9	YF1-52210-33-80	1 - 6	YF1-54035-64-10	11 - 21	YF0-57120-05-25	10 - 4	YF1-63430-40-20	4 - 1	YF1-73315-77-40	10 - 29
	23 - 15	YF1-52210-33-90	1 - 7	YF0-54110-04-20	10 - 32	YF0-57120-07-20	7 - 6	YF1-64143-24-30	6 - 1	YF1-73316-01-50	10 - 45
	26 - 8	YF1-52210-34-90	3 - 9	YF0-54110-05-28	19 - 12		8 - 33	YF1-64155-11-50	10 - 3	YF1-73317-33-42	5 - 4
	26 - 12	YF1-52211-31-53	19 - 6	YF1-54252-50-12	9 - 1		15 - 8	YF1-64249-10-10	4 - 13		17 - 2
	27 - 13	YF1-52211-32-40	19 - 3	YF1-54363-31-10	2 - 12	YF1-57411-10-83	22 - 2	YF1-64276-01-13	10 - 39		20 - 2
YF0-45126-01-20	23 - 6	YF1-52211-32-80	19 - 7	YF1-54519-54	7 - 12	YF1-57411-14-70	22 - 5	YF1-64276-40-12	15 - 10	YF1-73339-10-13	2 - 3
	28 - 11	YF1-52211-33-30	19 - 4	YF1-54616-30-10	16 - 6	YF1-57419-26-20	22 - 3	YF1-64276-40-20	15 - 17	YF1-73416-30-30	16 - 13
YF0-45126-01-40	23 - 10	YF1-52211-39-80	19 - 5	YF1-54617-33-40	18 - 6	YF1-57419-44-30	22 - 4	YF1-64276-41-10	15 - 11	YF1-73416-30-40	16 - 11
YF1-46114-21-20	13 - 14	YF1-52211-43-10	19 - 10	YF1-54695-71-50	11 - 27	YF1-57486-05-70	11 - 10	YF1-64276-44-20	15 - 1	YF1-73416-32	16 - 16
YF1-46814-13-40	14 - 3	YF1-52211-43-53	19 - 9	YF1-54712-33-12	8 - 34	YF1-57660-41-32	4 - 8	YF1-64299-20-10	21 - 5	YF1-73431-60-10	7 - 3
YF0-48111-03	8 - 36	YF1-52211-44-30	19 - 13	YF1-54712-41-10	8 - 32	YF1-57667-34-30	17 - 23	YF6-64366-40-40	15 - 14	YF1-73557-23-80	18 - 13
YF0-48111-03-20	2 - 13	YF1-52211-62-70	7 - 7	YF1-54713-50-13	6 - 4	YF1-58411-46-20	11 - 26	YF1-64544-25-02	12 - 1	YF1-73627-41-10	17 - 29
YF0-48170-01-20	11 - 29	YF1-52211-63-22	10 - 12	YF1-54716-00-10	10 - 42	YF1-58415-36-22	12 - 8	YF1-64545-36-10	12 - 7	YF1-73657-42-52	17 - 31
YF0-48170-01-50	4 - 3	YF1-52212-33-60	8 - 37	YF1-54716-01-62	10 - 46	YF1-58415-38-50	12 - 14	YF1-64545-39	12 - 4	YF1-73816-32-80	16 - 12
YF0-48170-01-60	2 - 9	YF1-52213-36-50	1 - 12	YF1-54719-15-30	3 - 3	YF1-58415-38-60	12 - 15	YF1-64679-10-10	4 - 9	YF1-73919-61-60	1 - 4
YF0-48170-02	4 - 4	YF1-52213-37	1 - 16	YF1-54719-53-60	10 - 17	YF1-58419-20-30	12 - 5	YF1-64679-10-20	4 - 11	YF3-74105-51-50	25 - 33
YF0-48170-03-60	4 - 5	YF1-52213-37-50	2 - 19	YF1-55017-24-70	18 - 18	YF1-58419-40-40	12 - 6	YF1-66412-30-14	8 - 28	YF3-74105-91-10	25 - 32
YF0-48175-03	2 - 11	YF1-52213-56-82	6 - 10	YF1-55116-37-60	16 - 26	YF1-58419-60-20	13 - 19	YF1-66526-43-10	15 - 26	YF1-74825-77-06	10 - 27
	5 - 11	YF1-52214-31-70	13 - 2	YF1-55119-66-60	16 - 25	YF1-58523-31-40	2 - 10	YF1-66526-47-70	15 - 16	YF1-74825-77-20	10 - 30
YF1-49114-27-50	13 - 15	YF1-52215-54-70	10 - 6	YF1-55211-42-30	19 - 18		5 - 10	YF1-66526-47-80	15 - 21	YF1-74825-79-20	10 - 33
YF1-49714-27-50	14 - 13	YF1-52215-57-40	10 - 9	YF1-55211-65-15	7 - 5	YF1-58816-40-90	15 - 27	YF1-66617-30-50	17 - 20	YF1-75801-60-60	18 - 2
YF4-50000-70	29 - 3	YF1-52215-62-30	11 - 16	YF1-55212-21-42	8 - 26	YF1-58816-41-50	15 - 13	YF1-66915-79-80	10 - 31	YF0-77150-04-01	7 - 4
YF1-50003-43-90	14 - 6	YF1-52215-62-80	4 - 6	YF1-55213-69-30	4 - 17	YF1-58816-42-60	15 - 20	YF1-68519-60-10	4 - 2		8 - 29
YF0-50120-04-08	1 - 8	YF1-52216-38-20	9 - 2	YF1-55215-42-70	10 - 26	YF1-58816-43-30	15 - 28	YF1-68519-62-70	1 - 13	YF0-77150-04-03	10 - 10
YF0-50120-06-09	1 - 9	YF1-52216-64-10	11 - 17	YF1-55215-71-15	11 - 33	YF1-58816-47-10	15 - 18	YF4-70008-10	31 - 18	YF0-77150-32-05	10 - 8
YF0-50120-06-12	1 - 10	YF1-52217-31	18 - 11	YF1-55215-72-40	11 - 32	YF1-58816-48	15 - 15	YF1-71113-64-10	6 - 2	YF0-77150-32-13	4 - 18
	4 - 7	YF1-52218-82-10	4 - 24	YF1-55217-24-62	18 - 19	YF1-58819-10-40	15 - 32	YF6-71115-51-90	28 - 8	YF6-81114-23-90	18 - 17

NUMERICAL INDEX

PART NO.	REF. NO.	PART NO.	REF. NO.	PART NO.	REF. NO.	PART NO.	REF. NO.	PART NO.	REF. NO.	PART NO.	REF. NO.
YF0-81530-62-05	10 - 2	YF1-A0217-35-10	17 - 19	YF1-G3697-33-40	17 - 10						
YF3-84303-51-60	14 - 8	YF1-A0217-35-20	17 - 22	YF1-G4921-62-20	10 - 16						
YF1-89013-02-70	14 - 15	YF1-A0219-10-30	4 - 10	YF1-G5133-65-50	6 - 3						
YF1-89015-09-02	31 - 12	YF1-A0410-70-95	8 - 1	YF1-G6080-10-13	1 - 1						
YF1-90040-46-10	9 - 4	YF1-A0910-43-62	8 - 4	YF1-G6285-10-10	11 - 1						
YF1-90130-34-50	3 - 13	YF1-A0910-45-40	8 - 2	YF1-G7518-81-30	4 - 23						
YF1-90131-51-10	7 - 2		8 - 11	YF1-G7786-55-60	12 - 18						
YF1-90770-33-10	3 - 14		8 - 14	YF1-G7789-73	10 - 11						
YF1-90771-60-25	10 - 1		8 - 17	YF1-G7800-16-20	2 - 2						
YF1-90772-11-12	8 - 20	YF1-A0910-48-20	8 - 6	YF1-G7800-30-43	3 - 7						
YF1-90772-17-70	8 - 42	YF1-A0910-70-45	8 - 10	YF1-G7800-55-10	5 - 1						
YF1-90772-17-80	8 - 42	YF1-A0910-70-55	8 - 13	YF1-G7801-17-72	20 - 1						
YF1-90772-19-12	8 - 20	YF1-A0910-70-65	8 - 16	YF1-G7901-45-06	5 - 3						
YF1-90775-20-92	11 - 4	YF1-A0911-18-22	20 - 3	YF1-G7903-23-02	4 - 15						
YF1-90775-21-13	11 - 4	YF1-A0911-23-50	21 - 3	YF1-G7912-40-10	7 - 9						
YF1-90775-21-23	11 - 5	YF1-A0911-23-60	21 - 2	YF1-G8010-51-20	5 - 5						
YF1-90775-36-50	12 - 9	YF1-A0911-42-60	19 - 8	YF1-G8510-48-13	8 - 5						
YF1-90775-37-14	12 - 10	YF1-A0912-34-70	8 - 38	YF1-G8961-23-10	21 - 1						
YF1-90775-37-23	12 - 11	YF1-A0912-34-80	8 - 18	YF1-G8961-31-10	19 - 1						
YF1-90775-37-33	12 - 12	YF1-A0912-34-82	8 - 3	YF1-G8961-31-20	19 - 2						
YF1-90775-37-43	12 - 13		8 - 12	YF1-G8963-36-10	1 - 14						
YF1-90775-60-50	11 - 12		8 - 15	YF1-G8964-25	12 - 2						
YF1-90776-55-12	12 - 17	YF1-A0912-35-30	8 - 39	YF1-G8965-13-20	11 - 2						
YF1-92020-41-40	8 - 41	YF1-A0912-35-42	8 - 40	YF1-G8965-22	11 - 4						
YF1-92022-32-50	8 - 35	YF1-A0912-39-10	8 - 38	YF1-G8965-54-51	10 - 5						
YF1-92022-32-80	8 - 30	YF1-A0912-39-20	8 - 38	YF1-G8969-66-50	11 - 3						
YF1-92023-56-60	6 - 8	YF1-A0912-39-30	8 - 3	YF1-G9110-44-60	8 - 9						
YF1-92027-42-80	15 - 7		8 - 12	YF1-G9110-52-03	5 - 6						
YF1-92126-31	16 - 21		8 - 15	YF1-G9111-45-23	5 - 8						
YF1-92129-71-30	16 - 22		8 - 18	YF1-G9115-61-50	11 - 13						
YF1-92221-61-90	10 - 15	YF1-A0912-39-40	8 - 3	YF1-G9119-10-22	5 - 9						
YF1-92224-32-80	13 - 4		8 - 12	YF1-G9162-51-60	9 - 3						
YF0-93188-81-80	5 - 2		8 - 15	YF5-K1906-13-61	30 - 27						
YF1-94347-30-14	17 - 15		8 - 18	YF1-K5316-46-02	15 - 36						
YF1-98185-40-90	10 - 21	YF1-A0912-39-50	8 - 39	YFW-MS6A7-00	27 - 4						
YF1-98185-41-03	10 - 22	YF1-A0912-39-60	8 - 39	YF1-NM6A7-00	27 - 3						
YF1-A0212-13-10	8 - 22	YF1-A0912-39-70	8 - 40	YF3-T3036-89-10	29 - 1						
YF1-A0212-31-92	8 - 31	YF1-A0912-39-80	8 - 40	YF4-T5016-83	31 - 1						
YF1-A0212-42-52	7 - 13	YF1-C0101-35-60	3 - 12	YF4-T5016-86	31 - 2						
YF1-A0212-43-70	7 - 11	YF1-E0173-36-50	17 - 21	YF3-T5016-91	31 - 3						
YF1-A0212-49-80	7 - 10	YF1-E1475-72-10	11 - 34	YF3-T5016-92	31 - 10						
YF1-A0213-22-90	4 - 14	YF4-E5010-50	31 - 24	YF3-T5016-93	31 - 13						
YF1-A0213-51-50	6 - 5	YF1-G2792-13-30	8 - 23	YF3-T5016-94	31 - 14						
YF1-A0215-16-60	10 - 34	YF1-G2957-20-60	18 - 1	YF3-T5016-95	31 - 15						
YF1-A0215-41-20	11 - 23	YF1-G2957-28-50	18 - 3								
YF1-A0215-43-50	11 - 22	YF1-G2957-29-40	18 - 4								
YF1-A0217-29-20	17 - 3	YF1-G2957-53-82	18 - 9								
YF1-A0217-33-30	4 - 20	YF1-G3697-33-02	17 - 9								