



PARTS CATALOGUE

EDL13000STE (Q9CH) RUS, ZAF, SEA



1J9CG-600EA

()

EDL13000STE
PARTS CATALOGUE
©2010 by Yamaha Motor Co., Ltd.
1st edition, June 2010
All rights reserved.
Any reprinting or unauthorized use
without the written permission of
Yamaha Motor Co., Ltd.
is expressly prohibited.
Printed in Japan.

FOREWORD

This Parts Catalogue is related to the parts for the model(s) on the cover page. When you are ordering replacement parts, please refer to this Parts Catalogue and quote both part numbers and part names correctly.

1. Modifications or additions which have been made after the issue of the Parts Catalogue will be announced in the Parts News.

It is advisable that you make the necessary corrections to the Parts Catalogue according to the Parts News.

2. Abbreviations

The following abbreviations are used in this Parts Catalogue.

“UR” Use specified parts number.

“UN” Use as many as needed.

“AP” Alternate Parts

“LM” Locally Made (Parts need to be ordered locally)

“F#” Frame No. (Applicable machine No.)

“O/S” Over Size

3. The number of components for assembly

- Parts, which are to be supplied in an assembly, are listed with a dot (.) in front of the part name as shown below.
- The numeral appearing to the right of each component part indicates the quantity of parts for each assembly unit.

PART NO.	DESCRIPTION	Q'TY	REMARKS
2F5-83310-60	FRONT FLASHER LIGHT ASSY	2	
115-83311-60	.BULB (6V-18W)	1	

4. Applicable colours of graphics are represented in the “REMARKS” as shown below.

PART NO.	DESCRIPTION	Q'TY	REMARKS
2N4-24110-00-X5	FUEL TANK COMP.	2	MXR
3J1-24240-10	.GRAPHIC, FUEL TANK	1	FOR MXR

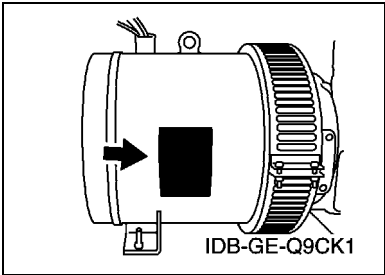
5. Note that the illustrations for reference in finding parts numbers are not to be used for assembling. When assembling, please use the applicable service manual.

6. The asterisk (*) before a reference number indicates modified items after the first edition.

FOREWORD

7. Applicable Serial No.

Primary Identification No.



8. Applicable Colour Code (The (*) mark shows Model colour.)

Abbreviation	Colour Name	Colour Code

9. Applicable Starting Serial No.

*****Serial NO.

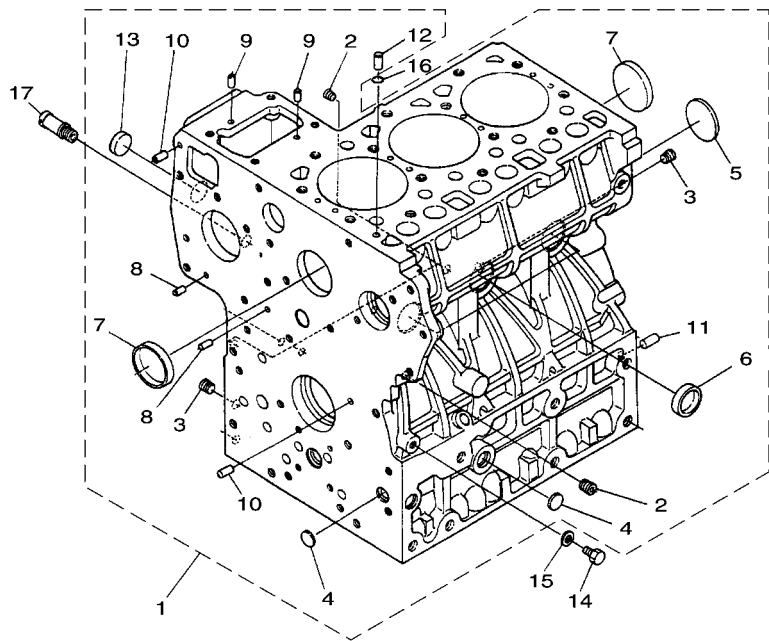
Model	Model Code	Destination	Voltage	Serial NO.
EDL13000STE	Q9CH	RUS,ZAF,SEA	380V/220V-50Hz	Q9CH-0100101

CONTENTS

CRANKCASE	1
OIL PAN	2
CYLINDER HEAD	3
CRANKCASE COVER	4
COVER	5
OIL FILTER	6
CAMSHAFT & IDLE GEAR	7
CRANKSHAFT & PISTON	8
FLYWHEEL HOUSING	11
INJECTION PUMP 1	12
INJECTION PUMP 2	14
FUEL INJECTION NOZZLE	16
FUEL FILTER	17
FUEL TANK	18
GENERATOR 1	19
STARTING MOTOR	21
WATER PUMP	23
RADIATOR & HOSE	25
CAMSHAFT & VALVE	26
INTAKE MANIFOLD	27
EXHAUST	28
AIR CLEANER	29
FRAME 1	30
GENERATOR 2	31
ELECTRICAL 1	33
ELECTRICAL 2	35
ELECTRICAL 3	36
ELECTRICAL 4	37
FRAME 2	38
FRAME 3	39
LABELS	40

INDEX

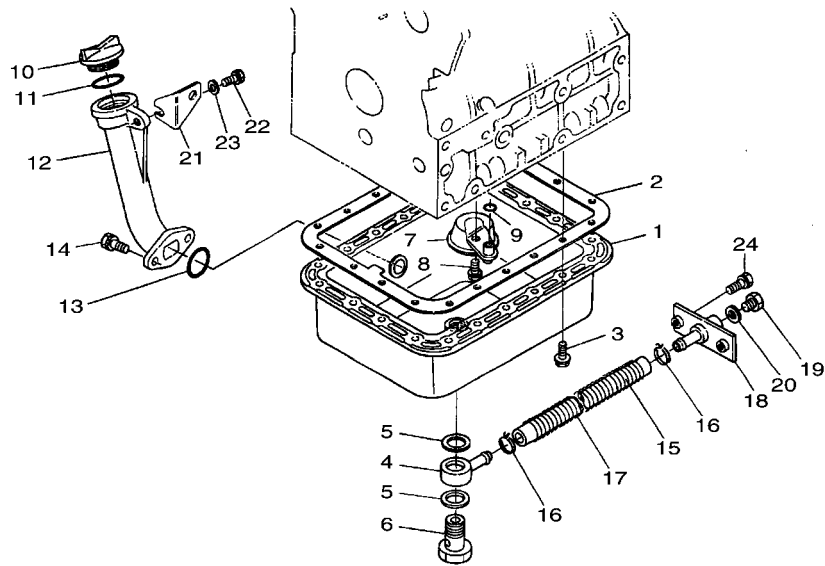
NUMERICAL INDEX	41
-----------------------	----




 Q9CH600-J010

FIG. 1 CRANKCASE

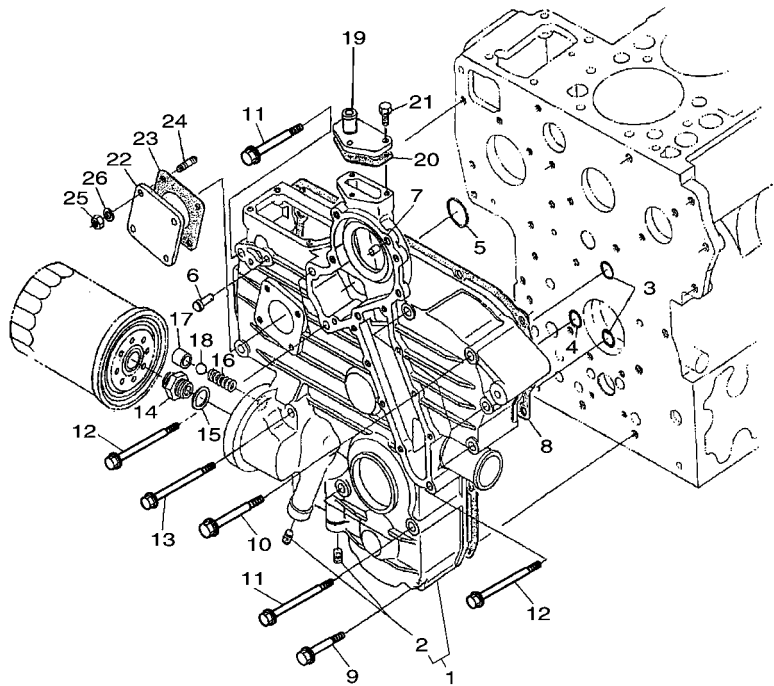
REF. NO.	PART NO.	DESCRIPTION	Q9CH				REMARKS
1	YF1-90040-10-17	COMP.CRANKCASE	1				
2	YF1-55219-60-20	.PLUG	5				
3	YF1-55219-60-30	.PLUG	2				
4	YF1-73919-61-60	.PLUG	3				
5	YF1-62719-61-60	.PLUG	1				
6	YF1-52210-33-80	.CAP,SEALING	5				
7	YF1-52210-33-90	.CAP,SEALING	2				
8	YF0-50120-04-08	.PIN,STRAIGHT	2				
9	YF0-50120-06-09	.PIN, STRAIGHT	2				
10	YF0-50120-06-12	.PIN	2				
11	YF0-50120-10-18	.PIN,STRAIGHT	1				
12	YF1-52213-36-50	.PIN,PIPE	1				
13	YF1-68519-62-70	.PLUG,EXPANSION 2	1				
14	YF1-G8963-36-60	PLUG	1				
15	YF1-50213-36-60	PACKING	1				
16	YF1-52213-37	O-RING	1				
17	YF1-53217-33-40	PIPE, WATER RETURN (EDL6500)	1				




 Q9CH600-J020

FIG. 2 OIL PAN

REF. NO.	PART NO.	DESCRIPTION	Q9CH				REMARKS
1	YF1-71430-16-10	OIL PAN	1				
2	YF1-G8410-16-20	GASKET,OIL PAN	1				
3	YF1-73339-10-13	BOLT,FLANGE	20				
4	YF1-72483-33-40	JOINT,OIL PIPE	1				
5	YF1-51929-66-70	GASKET	2				
6	YF1-72483-34-50	BOLT,OIL JOINT	1				
7	YF1-56283-21-10	FILTER,OIL	1				
8	YF0-17545-08-12	BOLT, FLANGE (EDL6500)	1				
9	YF0-48170-01-60	O RING	1				
10	YF1-58523-31-43	PLUG,OIL FILLER	1				
11	YF0-48175-03	O RING	1				
12	YF1-54363-31-10	FLANGE,OIL FILLER	1				
13	YF0-48111-03-20	O RING	1				
14	YF0-11235-08-20	BOLT	2				
15	YF1-71473-32-10	HOSE,OIL DRAIN	1				
16	YF5-53648-17-40	BAND,PIPE	2				
17	YF1-71473-33-90	SPRING,OIL PIPE P/T	1				
18	YF1-59573-37-40	JOINT,PIPE 2	1				
19	YF1-52213-37-50	PLUG	1				
20	YF1-51093-36-60	GASKET	1				
21	YF1-71473-31-30	STAY,OIL FILLER F/G	1				
22	YF0-11235-08-20	BOLT	1				
23	YF0-40125-00-80	WASHER,PLATE	1				
24	YFG-37839-10-30	BOLT	2				




 Q9CH600-J040

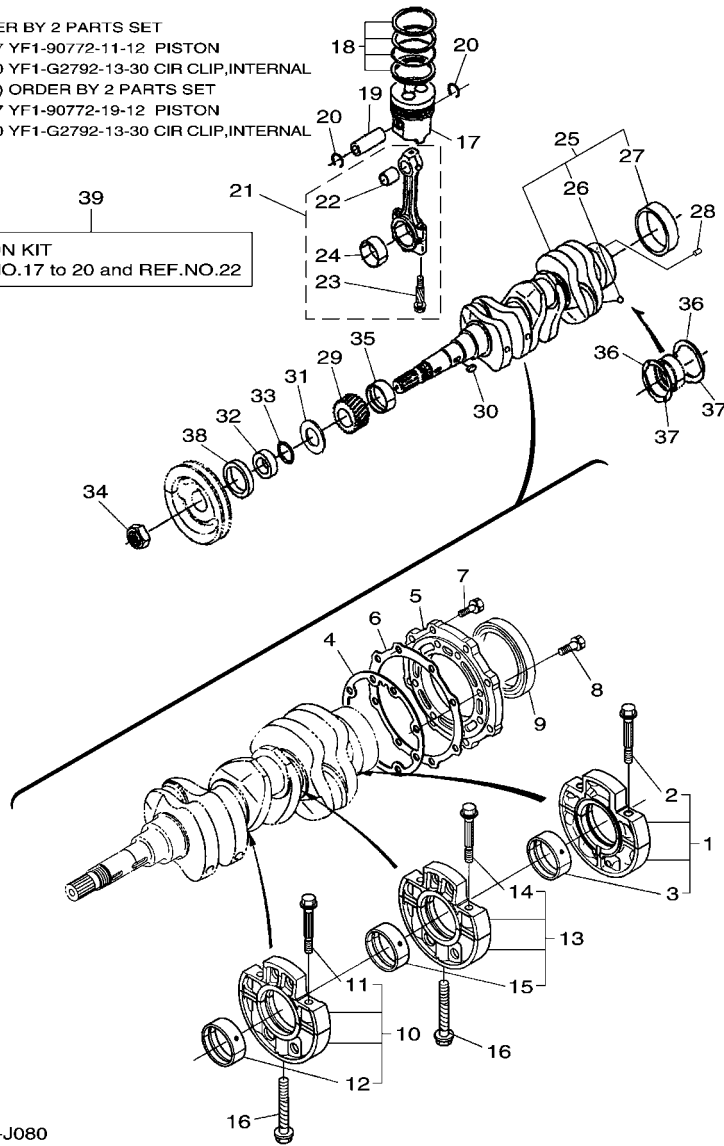
FIG. 4 CRANKCASE COVER

REF. NO.	PART NO.	DESCRIPTION	Q9CH				REMARKS
1	YF1-63430-40-20	COMP.CASE,GEAR	1				
2	YF1-68519-60-10	.PLUG	2				
3	YF0-48170-01-50	O RING	2				
4	YF0-48170-02	O RING	1				
5	YF0-48170-03-60	O RING	1				
6	YF1-52215-62-80	PIN, START SPRING (EDL6500)	1				
7	YF0-50120-06-12	PIN	2				
8	YF1-57660-41-32	GASKET,GEAR CASE	1				
9	YF1-64679-10-10	BOLT,FLANGE	2				
10	YF1-A0219-10-30	BOLT,FLANGE	5				
11	YF1-64679-10-20	BOLT,FLANGE	3				
12	YF0-17545-08-85	BOLT,FLANGE	3				
13	YF1-64249-10-10	BOLT,FLANGE	2				
14	YF1-A0213-22-90	JOINT,PIPE	1				
15	YF1-G7903-23-02	COLLAR,VALVE SEAT	1				
16	YF1-52413-69-50	SPRING (EDL6500)	1				
17	YF1-55213-69-30	SEAT,VALVE	1				
18	YF0-77150-32-13	BALL	1				
19	YF1-55217-33-20	FLANGE,WATER RETURN	1				
20	YF1-A0217-33-30	GASKET,RETURN FLANGE	1				
21	YF0-10235-06-20	BOLT	3				
22	YF1-52238-33-40	COVER	1				
23	YF1-G7518-81-30	GASKET,HOUR METER	1				
24	YF1-52218-82-10	STUD	4				
25	YF0-20565-00-60	NUT	4				
26	YF0-45126-00-60	WASHER,SPRING	4				

NOTE

(STD) ORDER BY 2 PARTS SET
 REF.NO.17 YF1-90772-11-12 PISTON
 REF.NO.20 YF1-G2792-13-30 CIR CLIP,INTERNAL
 (0.5mm O/S) ORDER BY 2 PARTS SET
 REF.NO.17 YF1-90772-19-12 PISTON
 REF.NO.20 YF1-G2792-13-30 CIR CLIP,INTERNAL

PISTON KIT
 REF.NO.17 to 20 and REF.NO.22




 Q9CH600-J080

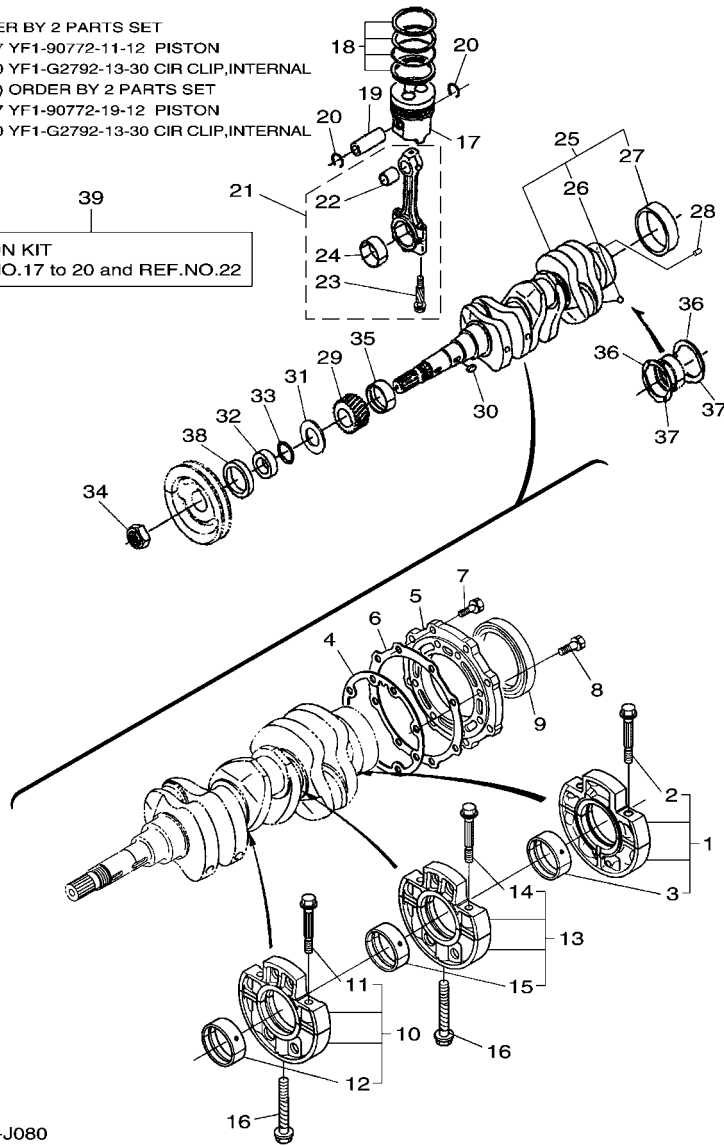
FIG. 8 CRANKSHAFT & PISTON

REF. NO.	PART NO.	DESCRIPTION	Q9CH			REMARKS
1	YF1-A0410-70-93	ASSY BRG.CASE,WHEEL	1			
2	YF1-A0910-45-40	.BOLT,BEARING CASE	2			
3	YF1-A0912-34-80	.METAL,CRANKSHAFT (STD)	1			
	YF1-A0912-39-30	.METAL,CRANKSHAFT (0.2MM U/S)	1			AP
	YF1-A0912-39-40	.METAL,CRANKSHAFT (0.4MM U/S)	1			AP
4	YF1-A0910-43-62	GASKET,BEARING CASE	1			
5	YF1-G8510-48-13	COVER,BEARING CASE	1			
6	YF1-A0910-48-20	GASKET,CASE COVER	1			
7	YF0-11235-08-25	BOLT	8			
8	YF0-11235-08-28	BOLT	8			
9	YF1-G9110-44-60	SEAL,OIL	1			
10	YF1-A0910-70-45	ASSY BRG.CASE,MAIN	1			
11	YF1-A0910-45-40	.BOLT,BEARING CASE	2			
12	YF1-A0912-34-80	.METAL,CRANKSHAFT (STD)	1			
	YF1-A0912-39-30	.METAL,CRANKSHAFT (0.2MM U/S)	1			AP
	YF1-A0912-39-40	.METAL,CRANKSHAFT (0.4MM U/S)	1			AP
13	YF1-A0910-70-55	ASSY BRG.CASE,MAIN	1			
14	YF1-A0910-45-40	.BOLT,BEARING CASE	2			
15	YF1-A0912-34-80	.METAL,CRANKSHAFT (STD)	1			
	YF1-A0912-39-30	.METAL,CRANKSHAFT (0.2MM U/S)	1			AP
	YF1-A0912-39-40	.METAL,CRANKSHAFT (0.4MM U/S)	1			AP
16	YF1-56010-45-60	BOLT,BEARING CASE	2			
17	YF1-90772-11-12	PISTON (STD)	3			
	YF1-90772-19-12	PISTON (0.5MM O/S)	3			AP
18	YF1-73312-10-50	ASSY PISTON RING (STD)	3			
	YF1-73312-10-90	ASSY PISTON RING (0.5MM O/S)	3			AP
19	YF1-A0212-13-10	PIN,PISTON	3			

NOTE

(STD) ORDER BY 2 PARTS SET
 REF.NO.17 YF1-90772-11-12 PISTON
 REF.NO.20 YF1-G2792-13-30 CIR CLIP,INTERNAL
 (0.5mm O/S) ORDER BY 2 PARTS SET
 REF.NO.17 YF1-90772-19-12 PISTON
 REF.NO.20 YF1-G2792-13-30 CIR CLIP,INTERNAL

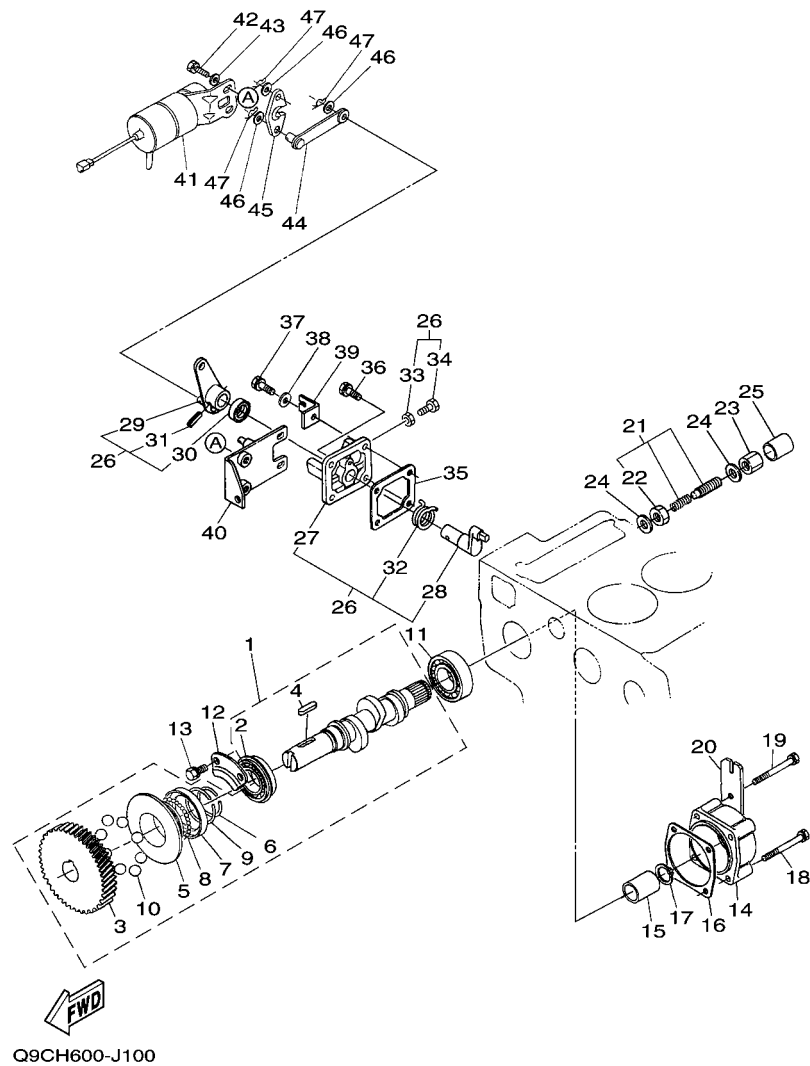
PISTON KIT
 REF.NO.17 to 20 and REF.NO.22



Q9CH600-J080

FIG. 8 CRANKSHAFT & PISTON

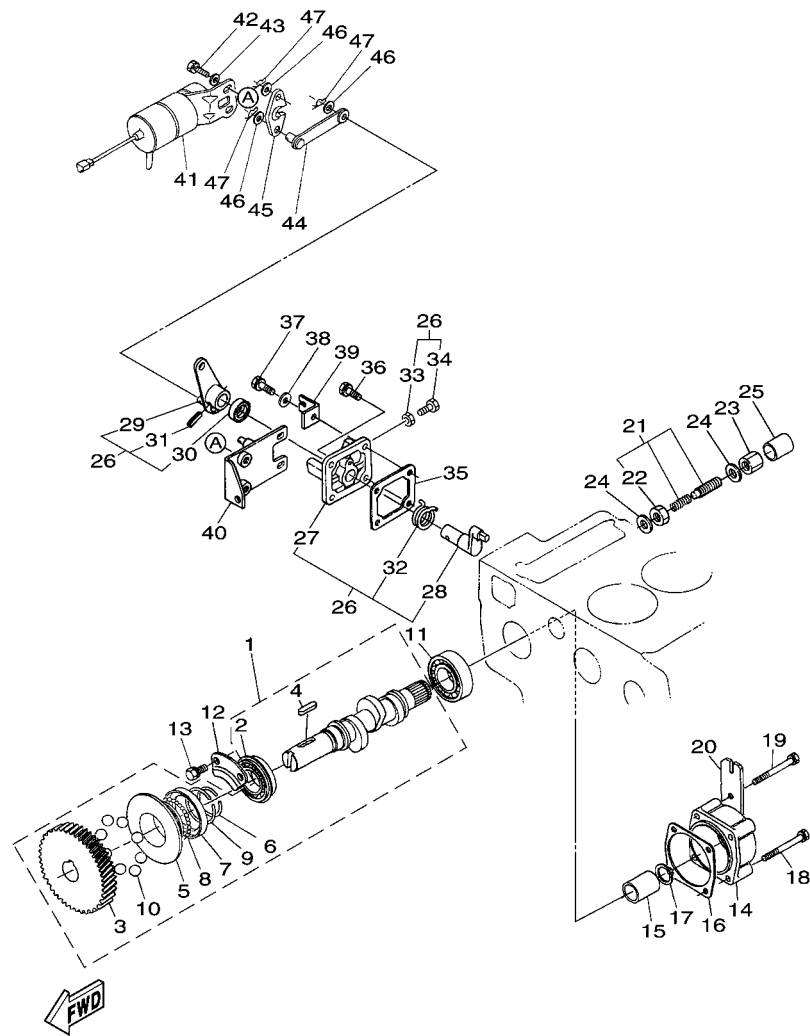
REF. NO.	PART NO.	DESCRIPTION	Q9CH			REMARKS
20	YF1-G2792-13-30	CIR CLIP,INTERNAL	6			
21	YF1-73112-20-10	ASSY CONNECTING ROD	3			
22	YF1-73312-19-80	.BUSH,PISTON PIN	1			
23	YF1-55212-21-42	.BOLT,CONNECTING ROD	2			
24	YF1-73112-23-10	.METAL,CRANKPIN (STD)	1			
	YF1-73112-29-70	.METAL,CRANKPIN (0.2MM U/S)	1			AP
	YF1-73112-29-80	.METAL,CRANKPIN (0.4MM U/S)	1			AP
25	YF1-64142-30-18	COMP.CRANKSHAFT	1			
26	YF0-77150-04-01	.BALL	3			
27	YF1-92022-32-80	.BUSH,CRANKSHAFT	1			
28	YF1-A0212-31-92	PIN,STRAIGHT	1			
29	YF1-54712-41-10	GEAR,CRANK	1			
30	YF0-57120-07-20	KEY	1			
31	YF1-54712-33-12	SLINGER,OIL	1			
32	YF1-92022-32-50	COLLAR,CRANKSHAFT	1			
33	YF0-48111-03	O RING	1			
34	YF1-52212-33-60	NUT,CRANKSHAFT	1			
35	YF1-A0912-34-70	METAL,CRANKSHAFT (STD)	1			
	YF1-A0912-39-10	METAL,CRANKSHAFT (0.2MM U/S)	1			AP
	YF1-A0912-39-20	METAL,CRANKSHAFT (0.4MM U/S)	1			AP
36	YF1-A0912-35-30	METAL,SIDE (STD)	2			
	YF1-A0912-39-50	METAL,SIDE (0.2MM O/S)	2			AP
	YF1-A0912-39-60	METAL,SIDE (0.4MM O/S)	2			AP
37	YF1-A0912-35-40	METAL,SIDE (STD)	2			
	YF1-A0912-39-70	METAL,SIDE (0.2MM O/S)	2			AP
	YF1-A0912-39-80	METAL,SIDE (0.4MM O/S)	2			AP
38	YF1-92020-41-40	SEAL,OIL	1			



Q9CH600-J100

FIG. 10 INJECTION PUMP 1

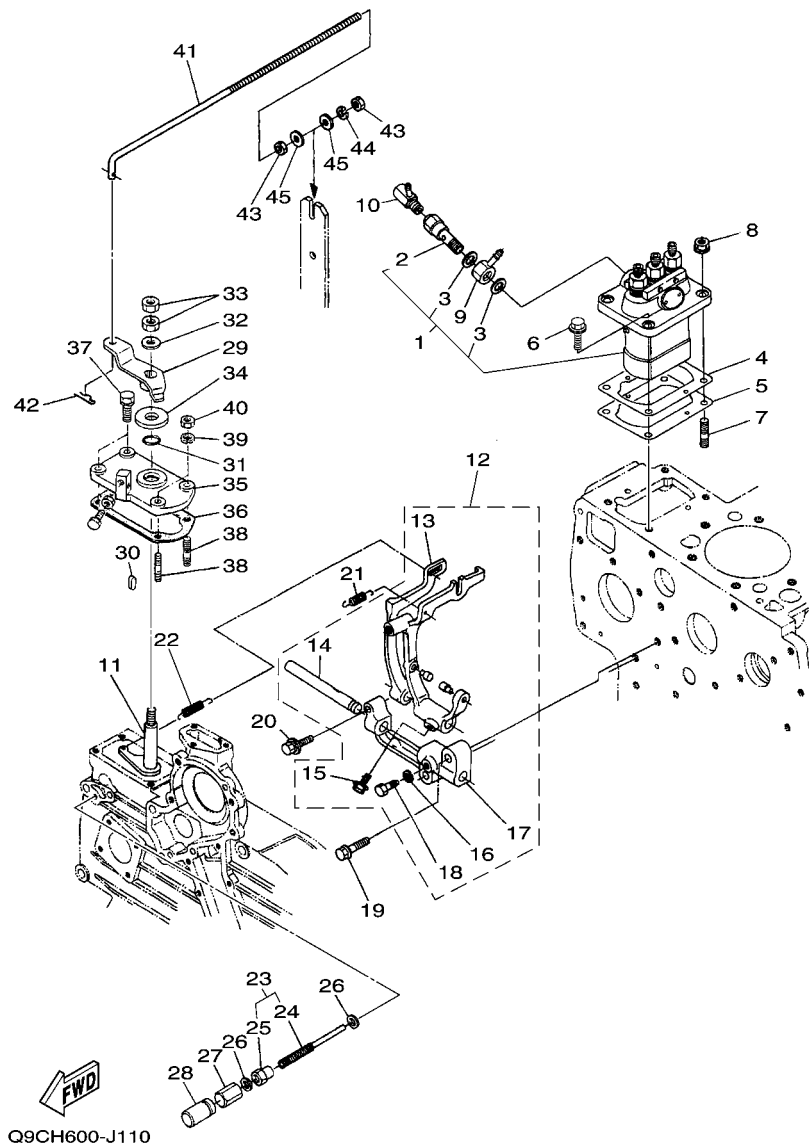
REF. NO.	PART NO.	DESCRIPTION	Q9CH				REMARKS
1	YF1-64271-60-20	ASSY CAMSHAFT,FUEL	1				
2	YF0-81530-62-05	.BEARING,BALL	1				
3	YF1-64155-11-50	.GEAR,INJECTION PUMP	1				
4	YF0-57120-05-25	.KEY,FEATHER	1				
5	YF1-56115-54-50	.SLEEVE,GOVERNOR	1				
6	YF1-52215-54-70	.CIR-CLIP,GOV. SLEEVE	1				
7	YF1-56115-56-90	.CASE,GOVERNOR BALL	1				
8	YF0-77150-32-05	.BALL	39				
9	YF1-52215-57-40	.CIR-CLIP	1				
10	YF0-77150-04-03	.BALL	7				
11	YF1-A0219-73	BEARING,BALL	1				
12	YF1-52211-63-20	STOPPER,FUEL C/SHAFT	1				
13	YF0-11236-08-14	BOLT	2				
14	YF1-52251-62-14	COVER,FUEL CAMSHAFT	1				
15	YF1-52251-61-90	COLLAR	1				
16	YF1-G4921-62-20	GASKET	1				
17	YF0-46120-02-50	CIR CLIP,EXTERNAL	1				
18	YF0-11235-08-65	BOLT	2				
19	YF0-11235-08-70	BOLT	2				
20	YFG-36005-75-80	PLATE,SPEED LOCK	1				
21	YF1-98185-41-03	ASSY BOLT,ADJUSTMENT	1				
22	YF1-54019-20-10	.NUT	1				
23	YF1-55219-23-30	NUT	1				
24	YF1-50213-36-60	PACKING	2				
25	YF1-55215-42-70	CAP	1				
26	YF1-74825-77-06	ASSY LEVER,ENG.STOP	1				
27	YF1-71835-16-50	.COVER,INJECTION PUMP	1				



Q9CH600-J100

FIG. 10 INJECTION PUMP 1

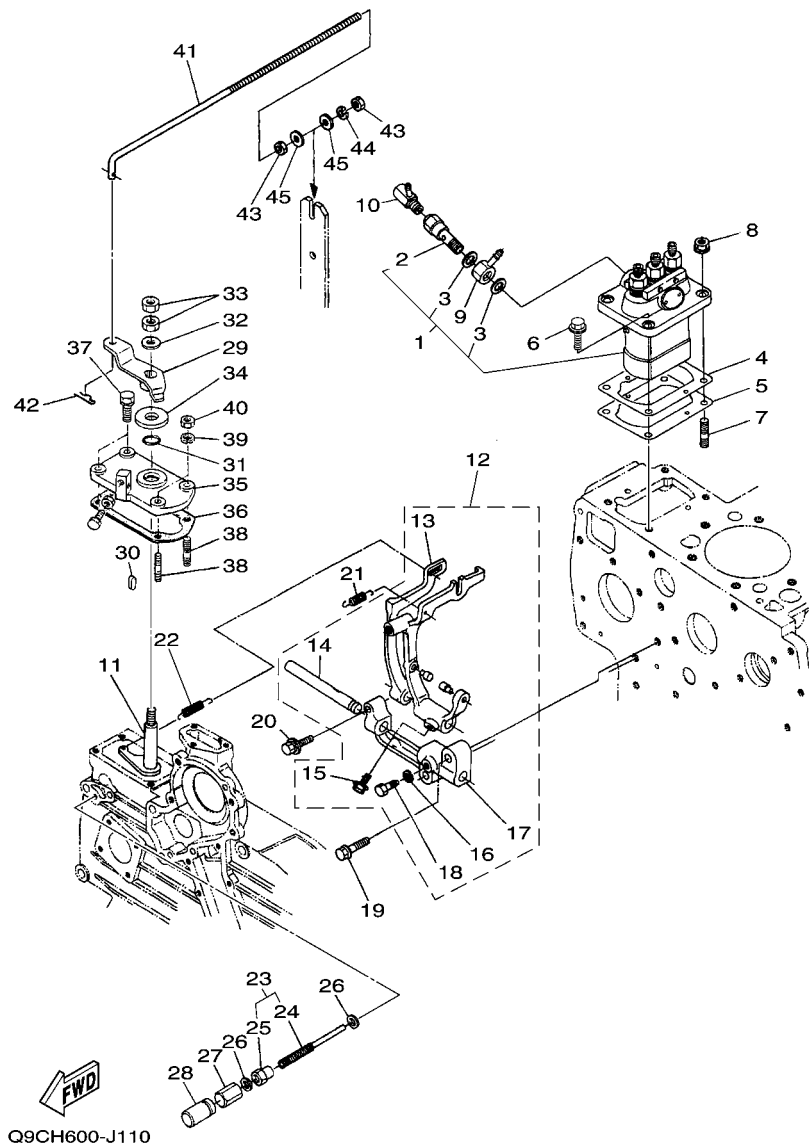
REF. NO.	PART NO.	DESCRIPTION	Q9CH				REMARKS
28	YF1-73315-77-40	.SHAFT,LEVER	1				
29	YF1-74825-77-20	.LEVER,ENGINE STOP	1				
30	YF1-66915-79-80	.SEAL,OIL	1				
31	YF0-54110-04-20	.PIN,SPRING	1				
32	YF1-74825-79-20	.SPRING,RETURN	1				
33	YF0-20565-00-60	.NUT	1				
34	YF1-51085-72-80	.STOPPER	1				
35	YF1-A0215-16-60	GASKET, PUMP COVER	1				
36	YF0-10235-06-18	BOLT	1				
37	YF0-10235-06-22	BOLT	3				
38	YF0-40125-00-60	WASHER,PLATE	3				
39	YF3-40704-42-20	HOLDER,WIRE	1				
40	YF1-64276-01-13	SUPPORT,SOLENOID	1				
41	YF1-54716-00-10	SOLENOID,STOP	1				
42	YF0-11236-08-16	BOLT	2				
43	YF0-40125-00-80	WASHER,PLATE	2				
44	YF1-73316-01-50	LEVER,STOP	1				
45	YF1-54716-01-62	LEVER, STOP 2	1				
46	YF0-40125-00-60	WASHER,PLATE	3				
47	YF0-55256-06	PIN,SNAP	3				



Q9CH600-J110

FIG. 11 INJECTION PUMP 2

REF. NO.	PART NO.	DESCRIPTION	Q9CH			REMARKS
1	YF1-G8805-10-12	ASSY PUMP,INJECTION	1			
2	YF1-G8965-13-20	.SCREW,HOLLOW	1			
3	YF1-G8969-66-50	.GASKET	2			
4	YF1-G8665-22	SHIM,INJECTION PUMP (T=0.175MM)	1			UR
	YF1-64145-20-90	SHIM,INJECTION PUMP (T=0.20MM)	1			UR
	YF1-64145-21-10	SHIM,INJECTION PUMP (T=0.25MM)	1			UR
5	YF1-64145-21-20	SHIM,INJECTION PUMP (T=0.30MM)	1			
6	YF0-17545-08-20	BOLT	2			
7	YF1-52219-15-30	STUD	2			
8	YF0-27515-00-80	NUT, FLANGE (EDK8000TE)	2			
9	YF1-41114-24-10	JOINT, EYE	1			
10	YF1-57486-05-70	ASSY ORIFICE	1			
11	YF1-56015-60-20	COMPLEVER,GOVERNOR	1			
12	YF1-64775-60-50	ASSY LEVER,FORK	1			
13	YF1-73315-61-30	.LEVER,FORK	1			
14	YF1-G9115-61-50	.SHAFT,FORK LEVER	1			
15	YF0-17545-06-18	.BOLT,FLANGE	1			
16	YF0-45126-00-60	.WASHER,SPRING	1			
17	YF1-52215-62-30	.HOLDER,FORK LEVER	1			
18	YF1-52216-64-10	.BOLT	1			
19	YF0-17545-08-30	BOLT	2			
20	YF0-10255-06-30	BOLT	1			
21	YF1-56015-64-80	SPRING,START	1			
22	YF1-54035-64-10	SPRING,GOVERNOR	1			
23	YF1-A0215-43-50	ASSY BOLT,ADJUSTMENT	1			
24	YF1-A0215-41-20	.BOLT,ADJUSTING	1			
25	YF1-56019-20-12	.NUT	1			



Q9CH600-J110

FIG. 11 INJECTION PUMP 2

REF. NO.	PART NO.	DESCRIPTION	Q9CH				REMARKS
26	YF1-56019-66-50	PACKING	2				
27	YF1-58411-46-20	NUT,CROWN	1				
28	YF1-62215-44-20	CAP	1				
29	YF1-54695-71-50	LEVER,SPEED CONTROL	1				
30	YF0-57120-04-08	KEY	1				
31	YF0-48170-01-20	O RING	1				
32	YF0-40136-00-80	WASHER,PLATE	1				
33	YF0-21125-00-80	NUT	2				
34	YF1-55215-72-40	COLLAR	1				
35	YF1-55215-71-15	PLATE,SPEED CONTROL	1				
36	YF1-E1475-72-10	GASKET,PLATE	1				
37	YF0-10235-06-20	BOLT	2				
38	YF1-52218-82-10	STUD	2				
39	YF0-45126-00-60	WASHER,SPRING	2				
40	YF0-20565-00-60	NUT	2				
41	YFG-37005-72-70	ROD,SPEED/LOCK	1				
42	YFG-37009-48-10	PIN,SNAP	1				
43	YF0-20145-00-60	NUT	2				
44	YF0-45126-00-60	WASHER,SPRING	1				
45	YF0-40125-00-60	WASHER,PLATE	2				

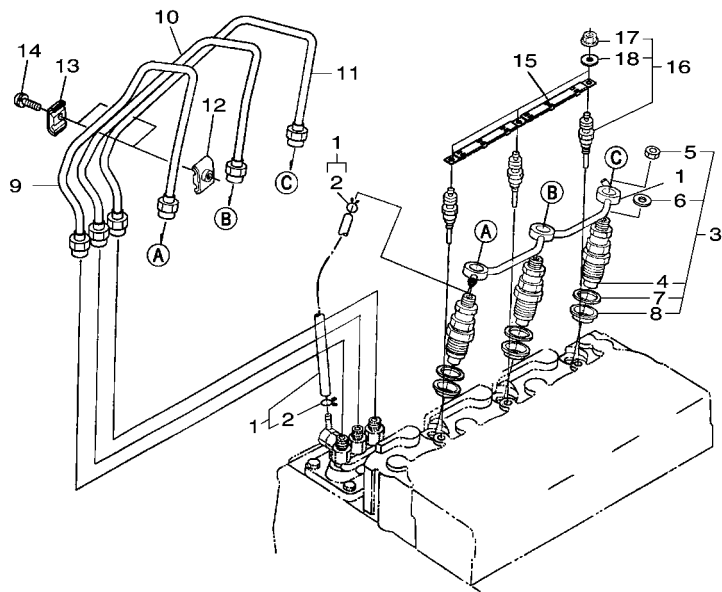
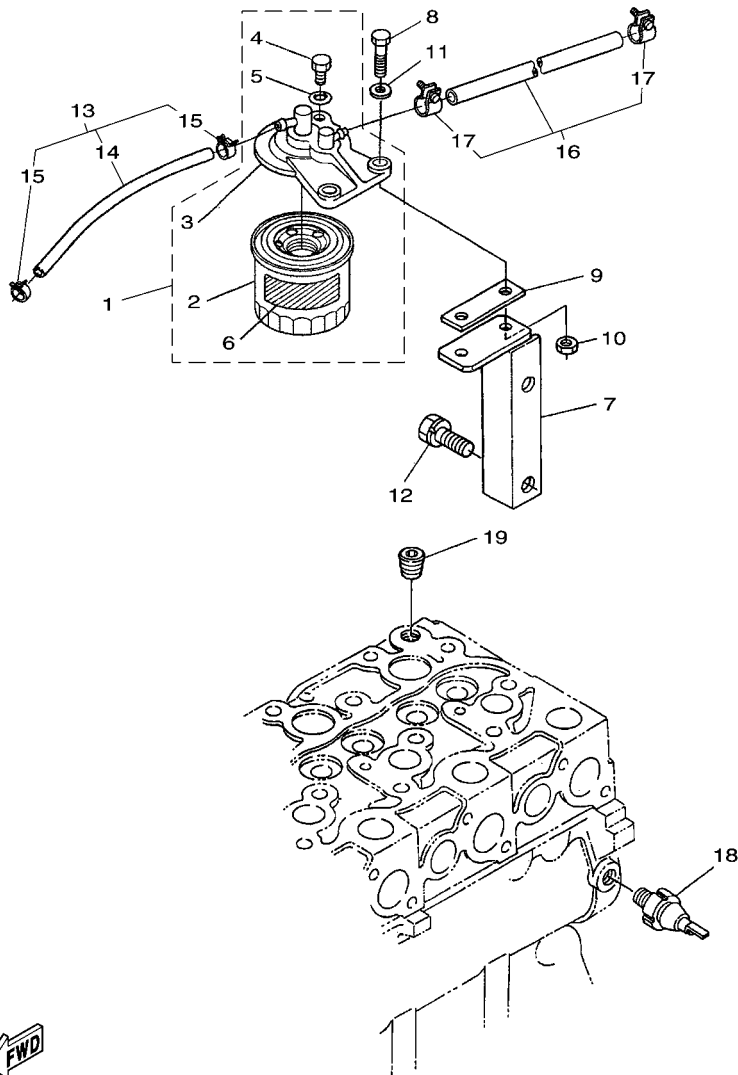


FIG. 12 FUEL INJECTION NOZZLE

REF. NO.	PART NO.	DESCRIPTION	Q9CH				REMARKS
1	YF1-64674-25-02	ASSY PIPE,OVER FLOW	1				
2	YF1-52714-27-10	.CLIP,PIPE	2				
3	YF1-60825-39	KIT HOLDER,NOZZLE	1				
4	YF1-60825-36-10	.PIECE,NOZZLE	3				
5	YF1-58419-20-30	.NUT	3				
6	YF1-58419-40-40	.WASHER	3				
7	YF1-58415-36-22	.PACKING	3				
8	YF1-90775-36-50	.SEAL,HEAT	3				
9	YF1-90775-37-14	PIPE,INJECTION	1				
10	YF1-90775-37-23	PIPE,INJECTION	1				
11	YF1-90775-37-33	PIPE,INJECTION	1				
12	YF1-58415-38-50	CLAMP,PIPE 1	2				
13	YF1-58415-38-60	CLAMP,PIPE 2	2				
14	YF0-30245-05-20	SCREW,WITH WASHER	2				
15	YF1-G7426-55-60	CORD,GLOW PLUG	1				
16	YF1-90776-55-10	GLOW PLUG	3				
17	YF0-27615-00-40	.NUT,FLANGE	3				
18	YF0-40136-00-40	.WASHER,PLATE	3				

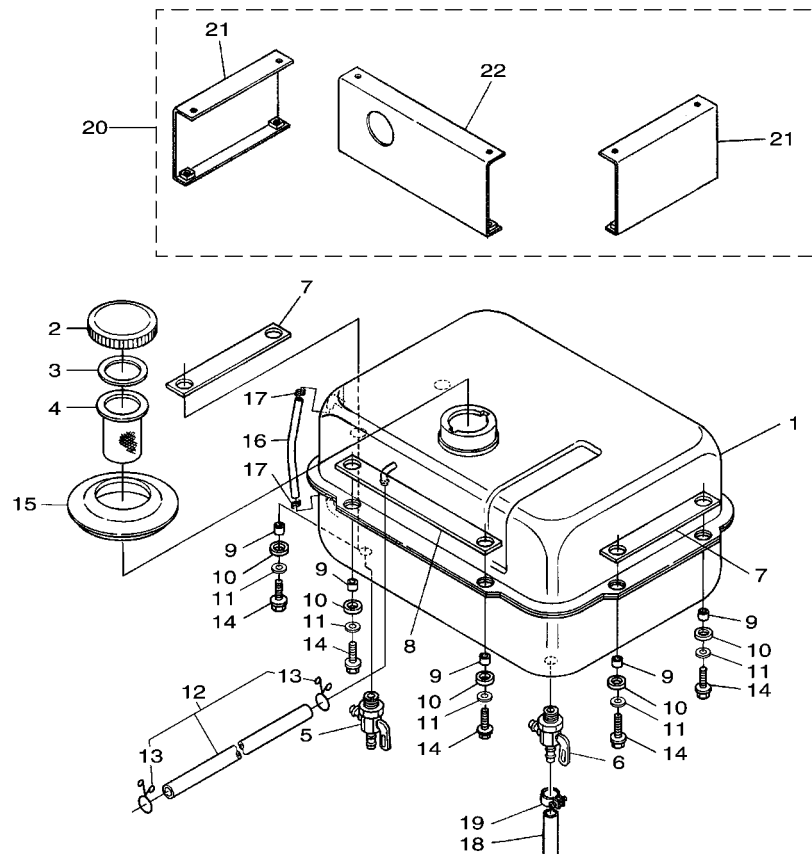


Q9CH600-J130

FIG. 13 FUEL FILTER

REF. NO.	PART NO.	DESCRIPTION	Q9CH				REMARKS
1	YF1-51934-30-10	ASSY FILTER,FUEL	1				
2	YF1-52214-31-72	.ELEMENT,FILTER	1				
3	YF1-52244-32	.FILTER COVER ASSY.	1				
4	YF1-92224-32-80	.PLUG,FILTERE AIR DRAIN	1				
5	YF1-51084-32-90	.O-RING	1				
6	YF1-51938-74-60	.LABEL,FILTER	1				
7	YF1-71434-34-30	BRACKET,FUEL FILTER	1				
8	YF0-11535-08-35	BOLT	2				
9	YF1-54034-34-50	CUSHION	1				
10	YF0-21145-00-80	NUT	2				
11	YF0-40125-00-80	WASHER,PLATE	2				
12	YF0-11335-12-25	BOLT	2				
13	YF1-59774-10-20	ASSY PIPE,FUEL	1				
14	YF1-46114-21-20	.PIPE,FUEL	1				
15	YF1-49114-27-50	.PIPE CLIP	2				
16	YF1-53834-20-20	ASSY PIPE,FUEL	1				
17	YF1-43014-27-50	.YF1-43014-27-50	2				
18	YF1-71893-90-10	SWITCH,OIL	1				
19	YF1-58419-60-20	PLUG	1				

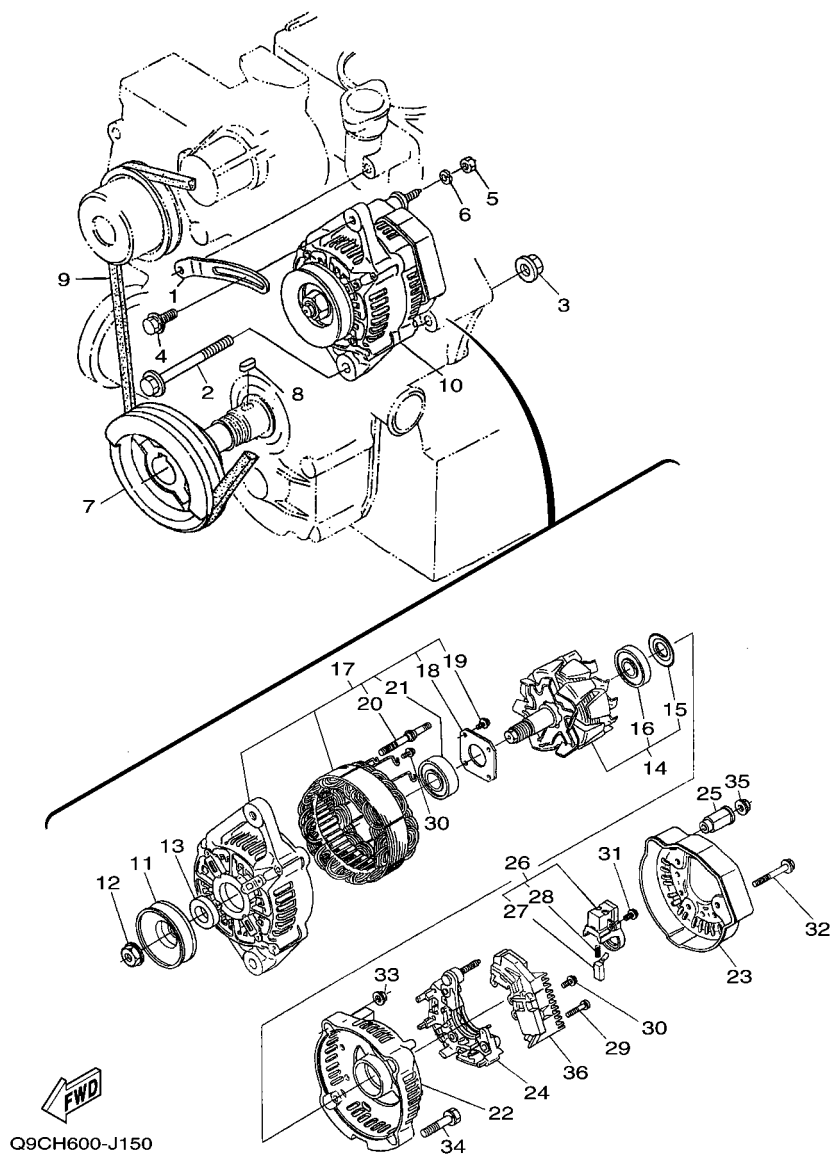
FIG. 14 FUEL TANK



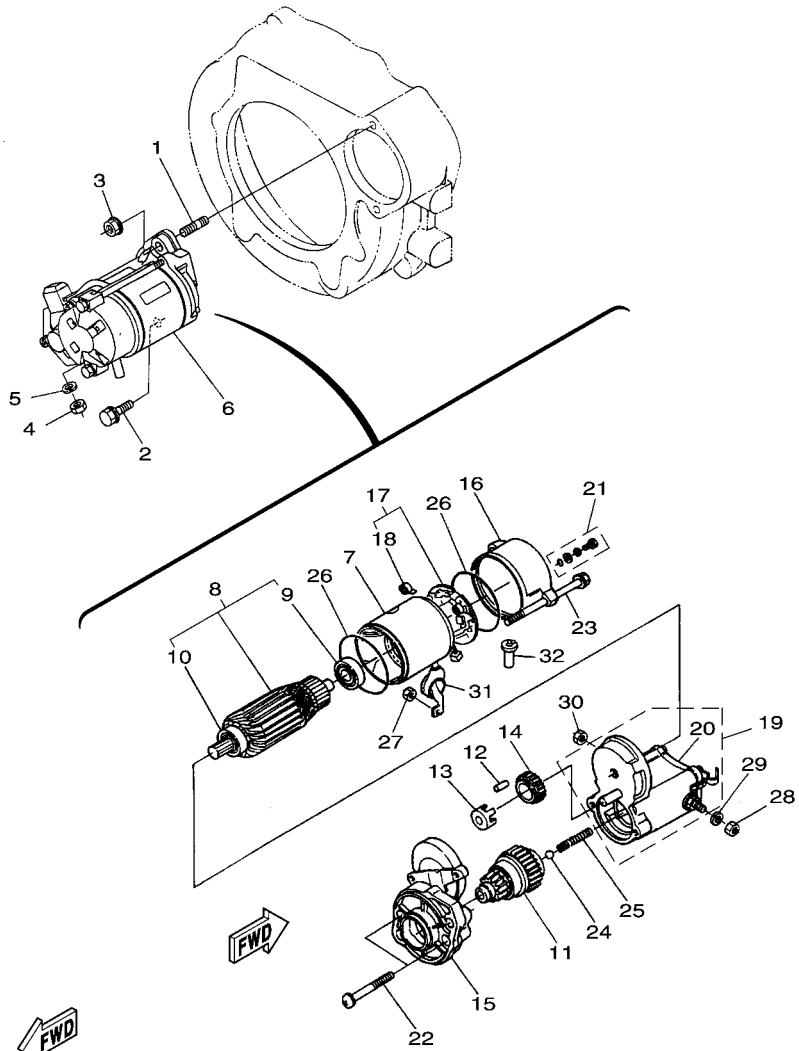
 Q9CH600-J140

REF. NO.	PART NO.	DESCRIPTION	Q9CH				REMARKS
1	YFG-36004-10-12	COMP.TANK,FUEL	1				
2	YF1-11514-12-60	CAP,FUEL TANK	1				
3	YF1-46814-13-40	GASKET	1				
4	YF1-42614-13-52	FILTER	1				
5	YF1-51934-13-80	COCK,FUEL	1				
6	YF1-50003-43-90	COCK, DRAIN (EDL6500)	1				
7	YF3-73003-51-60	CUSHION	2				
8	YF3-84303-51-60	CUSHION	1				
9	YF3-73003-51-20	CUSHION	6				
10	YF3-73003-51-40	SPACER	6				
11	YF0-40155-00-80	WASHER	6				
12	YF1-59574-20-50	ASSY PIPE,OVER FLOW	1				
13	YF1-49714-27-50	.PIPE CLIP	2				
14	YF0-11255-08-30	BOLT	6				
15	YF1-89013-02-70	FUEL TANK CAP SEAL	1				
16	YFG-36004-17-10	GAUGE,FUEL	1				
17	YF1-43014-23-60	CLIP	2				
18	YFG-37004-24-50	TUBE,FUEL DRAIN	1				
19	YFG-37007-31-40	CLAMP,TUBE	1				
20	YFG-37004-11-30	ASSY SUPPORT,TANK	1				
21	YFG-37004-11-40	.SUPPORT,TANK	2				
22	YFG-37004-12	.SUPPORT,TANK	1				

FIG. 15 GENERATOR 1



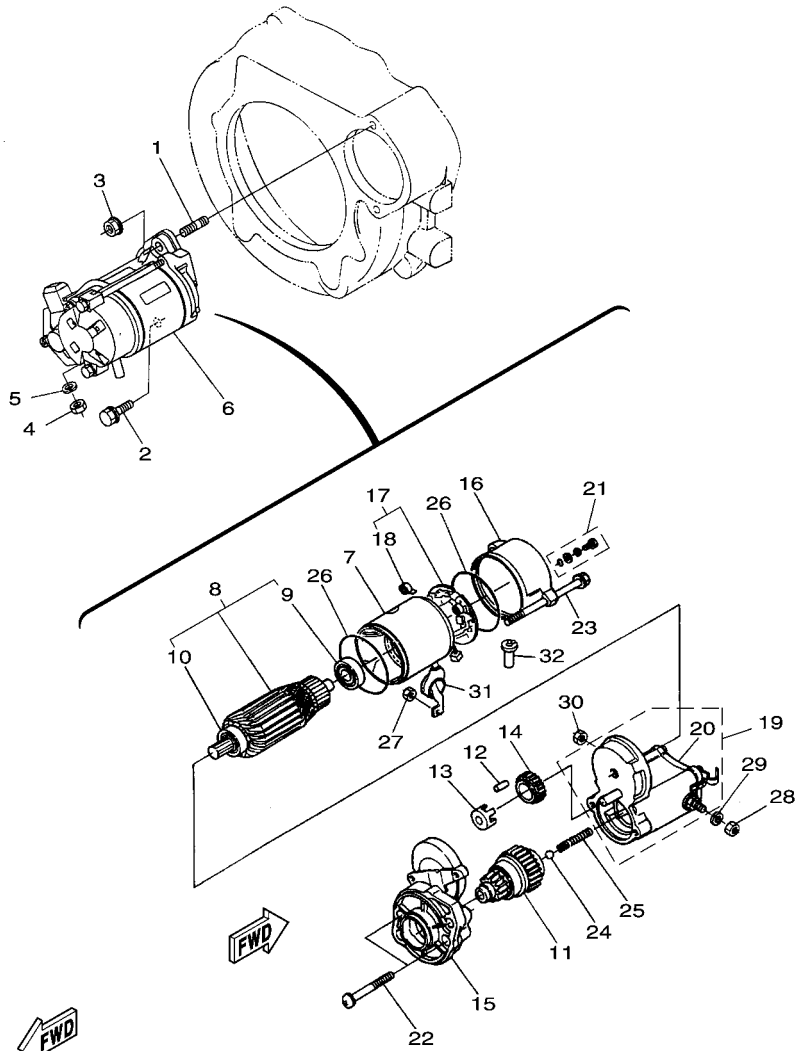
REF. NO.	PART NO.	DESCRIPTION	Q9CH				REMARKS
1	YF1-64276-44-20	STAY,DYNAMO	1				
2	YF0-17745-10	BOLT,FLANGE	1				
3	YF0-27716-01	NUT	1				
4	YF0-11275-08-30	BOLT	1				
5	YF0-20565-00-60	NUT	1				
6	YF0-45126-00-60	WASHER,SPRING	1				
7	YF1-72887-42-80	PULLEY,FAN DRIVE	1				
8	YF0-57120-07-20	KEY	1				
9	YF1-51939-70-10	V BELT,A (43IN)	1				
10	YF1-64276-40-12	ASSY ALTERNATOR (12V 30A)	1				
11	YF1-64276-41-10	.PULLEY,ALTERNATOR	1				
12	YF1-58819-20-10	.NUT	1				
13	YF1-58816-41-50	.COLLAR	1				
14	YF6-64366-40-40	.ROTOR	1				
15	YF1-58816-48	..BEARING COVER	1				
16	YF1-58816-47-70	..BEARING,BALL	1				
17	YF1-64276-40-20	.FRAME,DRIVE END	1				
18	YF1-58816-47-10	..RETAINER PLATE	1				
19	YF1-58819-30-10	..SCREW,ROUND HEAD	4				
20	YF1-58816-42-60	..THROUGH BOLT	2				
21	YF1-66526-47-80	..BALL BEARING	1				
22	YF1-62416-40-60	.FRAME,END	1				
23	YF1-62316-42-30	.COVER,END	1				
24	YF1-62316-48-50	.ASSY RECTIFIER	1				
25	YF1-62416-49	.BUSH,INSULATION	1				
26	YF1-66526-43-10	.BRUSH HOLDER	1				
27	YF1-58816-40-90	..BRUSH	2				



Q9CH600-J160

FIG. 16 STARTING MOTOR

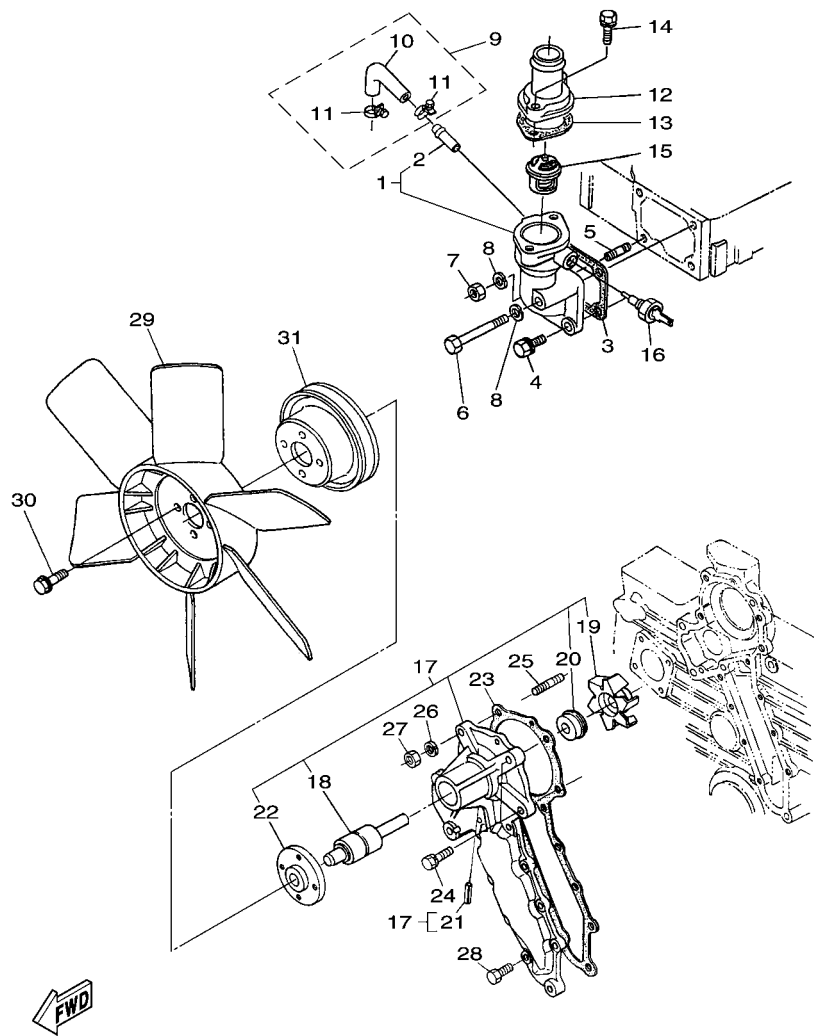
REF. NO.	PART NO.	DESCRIPTION	Q9CH				REMARKS
1	YF0-15175-10-28	STUD	1				
2	YF0-11335-10-30	BOLT	1				
3	YF0-27716-01	NUT	1				
4	YF0-21145-00-80	NUT	1				
5	YF0-45126-00-80	WASHER,SPRING	1				
6	YF3-40701-68	ASSY STARTER	1				
7	YF1-14606-30-80	.YOKE	1				
8	YF1-14606-30-70	.ARMATURE	1				
9	YF1-14606-35-30	..BEARING	1				
10	YF1-14606-35	..BEARING	1				
11	YF3-40701-68-10	.ASSY CLUTCH	1				
12	YF1-92126-31	.ROLLER	5				
13	YF1-14606-31-10	.RETAINER	1				
14	YF1-14606-32-70	.GEAR(2)	1				
15	YF3-40701-68-30	.ASSY HOUSING	1				
16	YF3-40701-68-40	.ASSY FRAME,END	1				
17	YF1-14706-33-80	.HOLDER ASSY.(BRUSH)	1				
18	YF1-14606-33-90	..SPRING(BRUSH)	4				
19	YF3-40701-68-50	.ASSY SWITCH,MAGNETIC	1				
20	YF1-62859-80-50	..COVER ASSY.(STARTER MAGNET)	1				
21	YF1-55116-37-60	.BOLT ASSY	2				
22	YF1-14609-33-10	.BOLT	2				
23	YF1-14606-33-20	.BOLT,THROUGH	2				
24	YF1-92129-71-30	.BALL	1				
25	YF1-14606-31-20	.SPRING	1				
26	YF1-55119-66-60	.O-RING	2				
27	YF1-39639-20-10	.NUT, HEXAGON	1				



Q9CH600-J160

FIG. 16 STARTING MOTOR

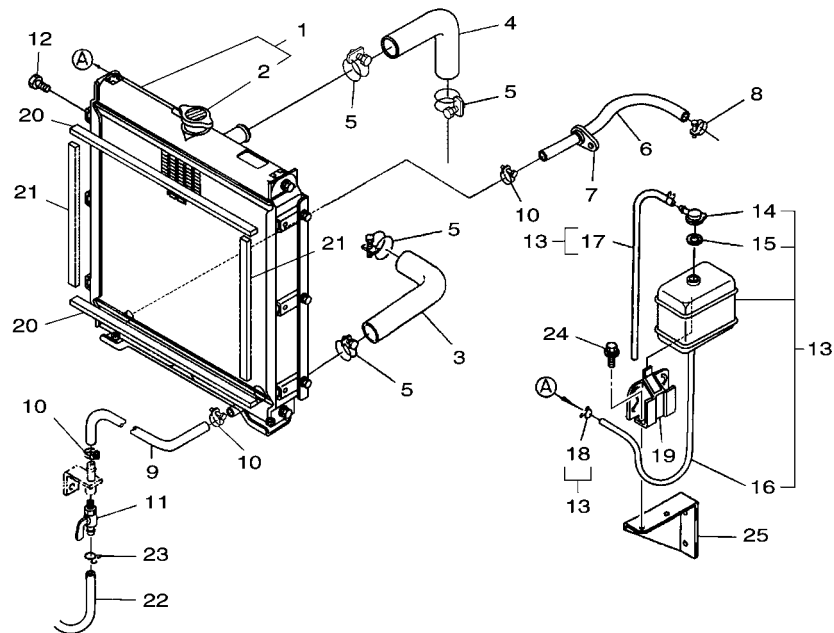
REF. NO.	PART NO.	DESCRIPTION	Q9CH			REMARKS
28	YF0-21145-00-80	.NUT	1			
29	YF0-45126-00-80	.WASHER,SPRING	1			
30	YF1-62859-20-10	.NUT, HEXAGON	1			
31	YF1-11736-31-30	.COVER(TERMINAL)	1			
32	YF1-62856-35-70	.PIPE(DRAIN)	1			
<hr/>						
<hr/>						
<hr/>						
<hr/>						
<hr/>						
<hr/>						
<hr/>						
<hr/>						
<hr/>						
<hr/>						



Q9CH600-J170

FIG. 17 WATER PUMP

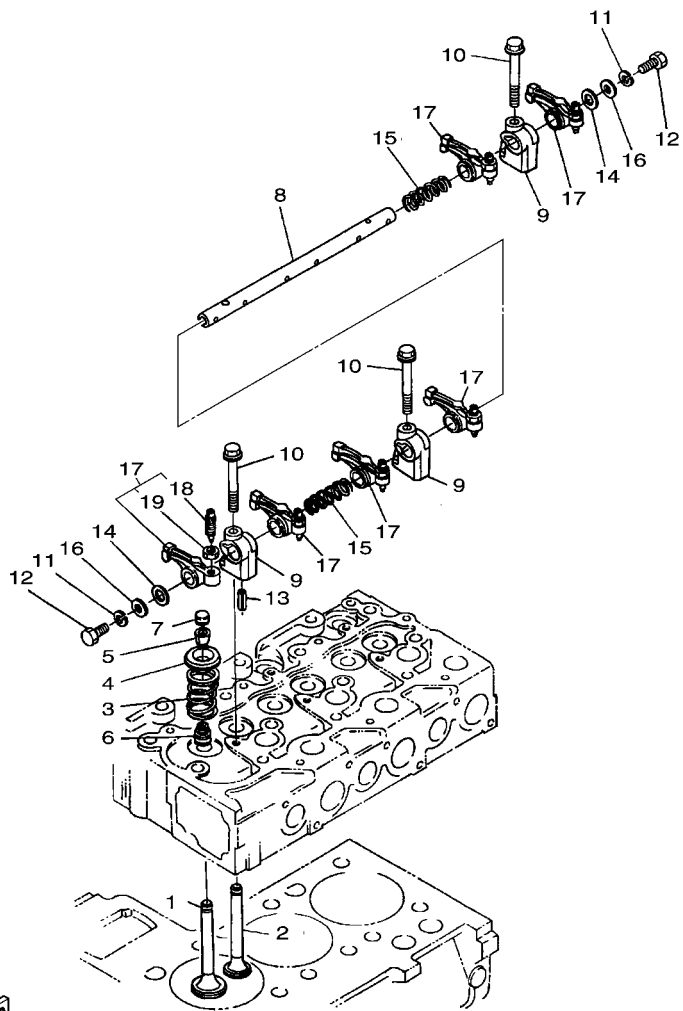
REF. NO.	PART NO.	DESCRIPTION	Q9CH			REMARKS
1	YF1-51927-27-02	COMP.FLANGE,WATER	1			
2	YF1-73317-33-42	.PIPE,WATER RETURN	1			
3	YF1-A0217-29-20	GASKET,WATER FLANGE	1			
4	YF0-11235-08-20	BOLT	2			
5	YF1-52219-15-30	STUD	1			
6	YF0-11535-08-70	BOLT	1			
7	YF0-21565-00-80	NUT	1			
8	YF0-45126-00-80	WASHER,SPRING	2			
9	YF1-G3697-33-02	ASSY PIPE	1			
10	YF1-G3697-33-40	.PIPE,WATER RETURN	1			
11	YF1-51097-33-60	.BAND,PIPE	2			
12	YF1-53217-32-60	COVER,THERMOSTAT	1			
13	YF1-62217-32-70	GASKET(THERMOSTAT,NA)	1			
14	YF0-11235-08-35	BOLT (7LR1)	2			
15	YF1-94347-30-14	THERMOSTAT ASSY.	1			
16	YF1-55438-30-40	SWITCH, THERMO	1			
17	YF1-55217-30-35	ASSY PUMP,WATER	1			
18	YF1-55217-35-50	.BEARING	1			
19	YF1-A0217-35-10	.IMPELLER,WATER PUMP	1			
20	YF1-66617-30-50	.ASSY SEAL,MECHANICAL	1			
21	YF1-E0173-36-50	.PIN,SPRING	1			
22	YF1-A0217-35-20	.FLANGE,WATER PUMP	1			
23	YF1-57667-34-30	GASKET,WATER PUMP	1			
24	YF0-11235-08-28	BOLT	2			
25	YF0-15185-08-22	STUD	2			
26	YF0-45126-00-80	WASHER,SPRING	2			
27	YF0-21565-00-80	NUT	2			




 Q9CH600-J180

FIG. 18 RADIATOR & HOSE

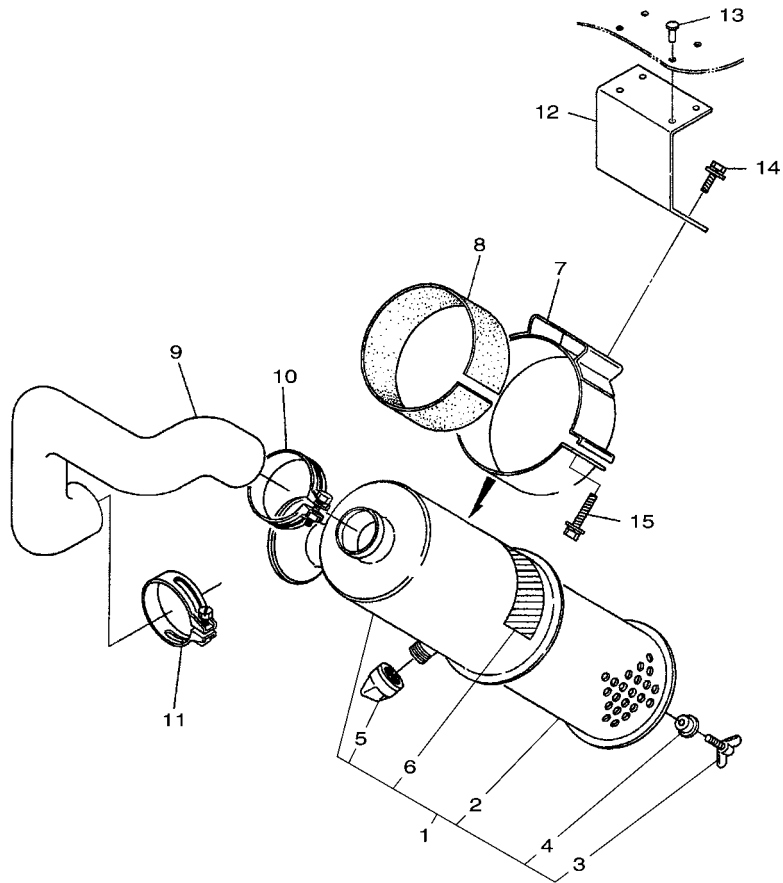
REF. NO.	PART NO.	DESCRIPTION	Q9CH				REMARKS
1	YF1-G2957-20-60	ASSY RADIATOR	1				
2	YF1-75801-60-60	.CAP(RADIATOR)	1				
3	YF1-G2957-28-50	HOSE,WATER LOWER	1				
4	YF1-G2957-29-40	HOSE,WATER UPPER	1				
5	YF1-51087-28-70	BAND	4				
6	YF1-54617-33-40	PIPE,WATER RETURN	1				
7	YF1-55217-31-40	CLAMP,PIPE	1				
8	YF1-51097-33-60	BAND,PIPE	1				
9	YF1-G2957-53-82	HOSE,DRAIN	1				
10	YF5-53648-17-40	BAND,PIPE	3				
11	YF1-52217-31	COCK,DRAIN	1				
12	YF0-10235-06-12	BOLT	6				
13	YF1-73557-23-80	ASSY TANK,RESERVE	1				
14	YF1-52727-24-20	.CAP	1				
15	YF1-52727-24-32	.GASKET	1				
16	YF1-73257-24-40	.PIPE,WATER OVER FLOW	1				
17	YF6-81114-23-90	.PIPE,WATER OVER FLOW	1				
18	YF1-55017-24-70	.CLIP,PIPE	2				
19	YF1-55217-24-62	STAY,RESERVE TANK	1				
20	YFG-37027-21-90	CUSHION,RADIATOR	2				
21	YFG-37027-21-80	CUSHION,RADIATOR	2				
22	YFG-37007-31-30	TUBE,WATER DRAIN	1				
23	YFG-37007-31-40	CLAMP,TUBE	1				
24	YFG-37009-11-50	BOLT	2				
25	YF3-34004-71	BRACKET,RESERVE TANK	1				



Q9CH600-J190

FIG. 19 CAMSHAFT & VALVE

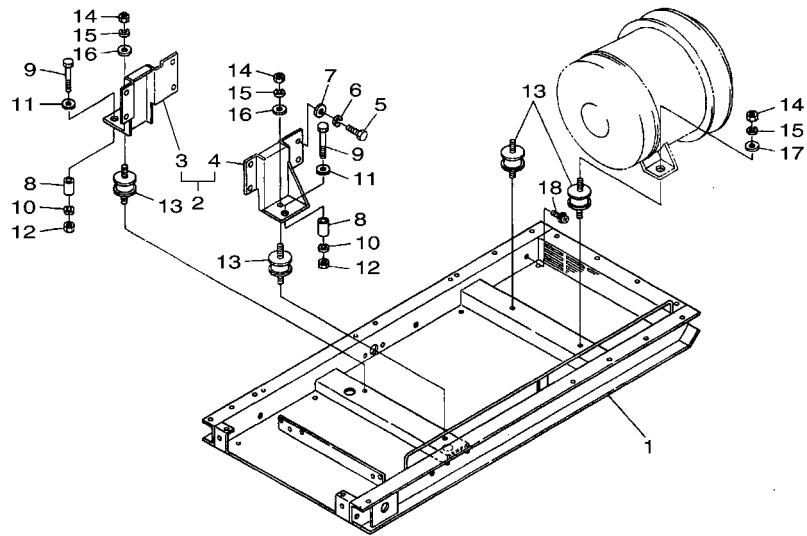
REF. NO.	PART NO.	DESCRIPTION	Q9CH				REMARKS
1	YF1-G8961-31-10	VALVE,INLET	3				
2	YF1-G8961-31-20	VALVE,EXHAUST	3				
3	YF1-52211-32-40	SPRING,VALVE	6				
4	YF1-52211-33-30	RETAINER,VALVE SP.	6				
5	YF1-52211-39-80	COLLET,VALVE SPRING	6				
6	YF1-52211-31-53	SEAL,VALVE STEM	6				
7	YF1-52211-32-80	CAP, VALVE	6				
8	YF1-A0211-42-60	SHAFT,ROCKER ARM	1				
9	YF1-52211-43-53	BRACKET,ROCKER ARM	3				
10	YF0-17545-08-55	BOLT,FLANGE	3				
11	YF0-45126-00-80	WASHER,SPRING	2				
12	YF0-11535-08-12	BOLT	2				
13	YF0-54110-05-28	PIN,SPRING	1				
14	YF1-52211-44-30	WASHER,R-ARM.SHAFT	2				
15	YF1-52211-43-10	SPRING,ROCKER ARM	2				
16	YF0-40136-00-80	WASHER,PLATE	2				
17	YF1-56211-40-30	ASSY ROCKER ARM	6				
18	YF1-55211-42-30	.SCREW,ADJUSTING	6				
19	YF1-50211-42-40	.NUT	6				




 Q9CH600-J220

FIG. 22 AIR CLEANER

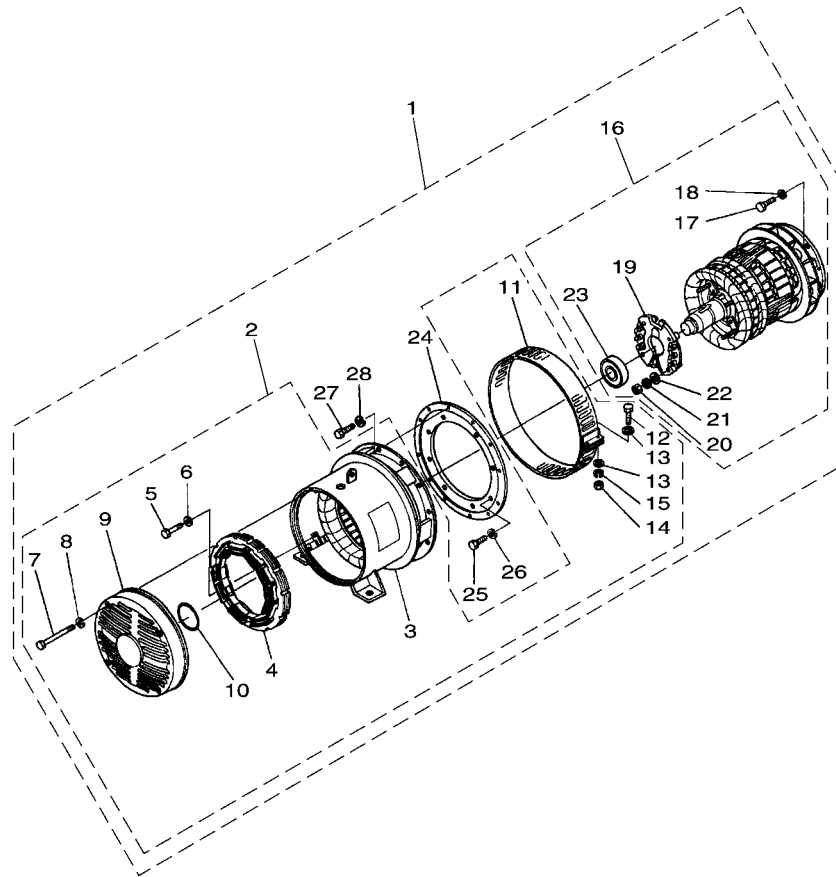
REF. NO.	PART NO.	DESCRIPTION	Q9CH				REMARKS
1	YF1-62861-10-13	ASSY CLEANER,AIR	1				
2	YF1-57411-10-83	.ASSY ELEMENT,A/C	1				
3	YF1-57419-26-20	.BOLT,WING	1				
4	YF1-57419-44-30	.ASSY GASKET	1				
5	YF1-57411-14-70	.VALVE	1				
6	YF1-62718-74-50	.LABEL,A/C ELEMENT	1				
7	YF3-42601-39-60	BAND,AIR CLEANER	1				
8	YF3-42601-39-70	CUSHION,AIR CLEANER	1				
9	YFG-36001-16-20	HOSE,INLET	1				
10	YF1-54011-17-20	BAND, PIPE	1				
11	YF3-13511-81-10	BAND,PIPE	1				
12	YF3-34005-10	SUPPORT,AIR CLEANER	1				
13	YFG-37009-48-70	RIVET	4				
14	YFG-37009-11-50	BOLT	4				
15	YFG-37009-11-60	BOLT	2				




 Q9CH600-J230

FIG. 23 FRAME 1

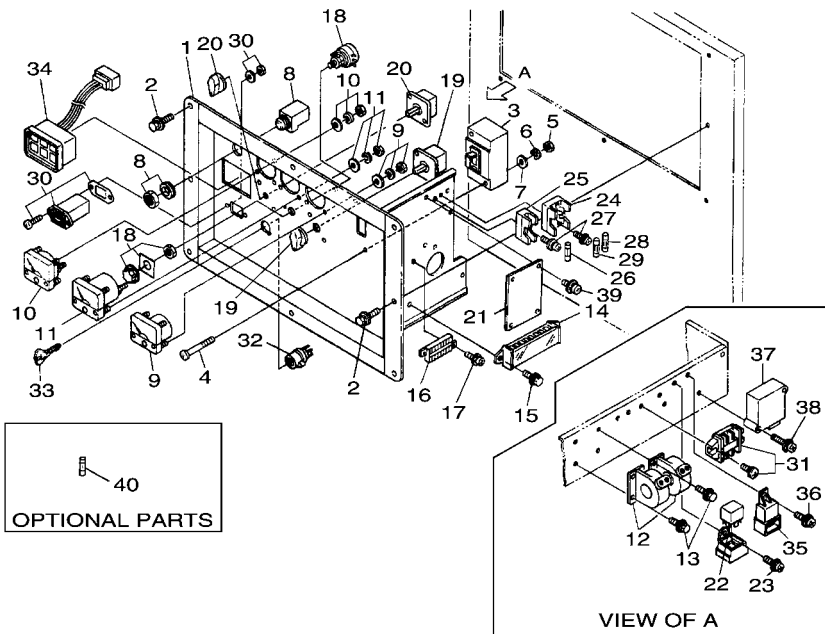
REF. NO.	PART NO.	DESCRIPTION	Q9CH				REMARKS
1	YFG-37003-05-52	BASE,COMMON	1				
2	YFG-37003-06-92	ASSY BRACKET,ENGINE	1				
3	YFG-37003-06-73	.BRACKET,L-ENGINE	1				
4	YFG-37003-06-83	.BRACKET,R-ENGINE	1				
5	YF0-10735-12-25	BOLT	8				
6	YF0-45126-01-20	WASHER,SPRING	8				
7	YF0-40136-01-20	WASHER, PLAIN	8				
8	YFG-37004-14-40	LIMITER PIPE	2				
9	YFG-37009-11-10	BOLT	2				
10	YF0-45126-01-40	WASHER,SPRING	2				
11	YF0-40136-01-40	WASHER, PLATE	2				
12	YF0-20545-01-40	NUT	2				
13	YFG-37000-61-60	CUSHION,RUBBER	4				
14	YF0-20145-01	NUT	4				
15	YF0-45126-01	WASHER SPRING	4				
16	YF0-40136-01	WASHER,PLAIN	2				
17	YFG-37009-40-10	WASHER,PLAIN	2				
18	YFG-37009-33-30	SCREW,WITH WASHER	2				




 Q9CH600-J240

FIG. 24 GENERATOR 2

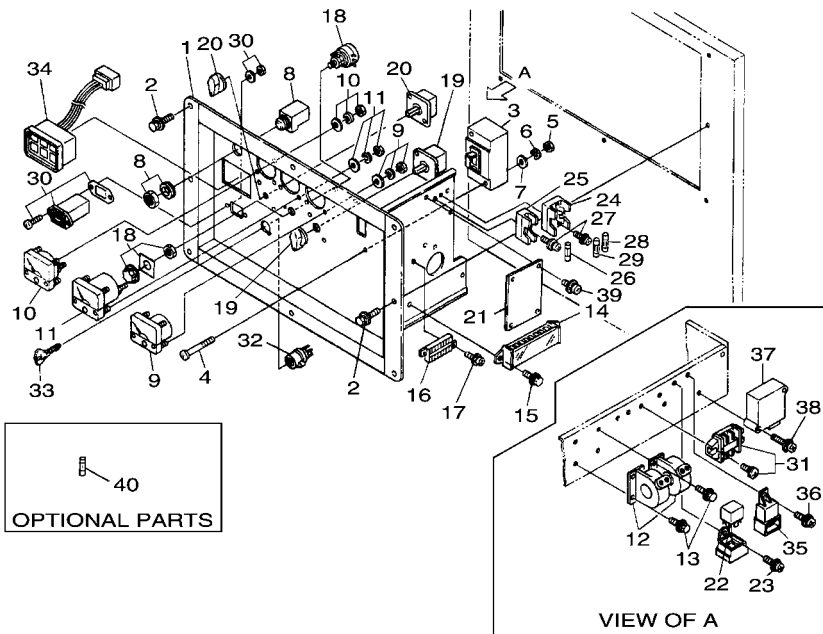
REF. NO.	PART NO.	DESCRIPTION	Q9CH				REMARKS
1	YFG-37030-21	ASSY GENERATOR	1				
2	YFG-37030-24	..ASSY STATOR	1				
3	YFG-37030-24-10	..COMP.STATOR	1				
4	YFG-37030-25-90	..ASSY COIL,EXCITER	1				
5	YFG-37039-10	..BOLT	4				
6	YFG-37039-11	..WASHER,SPRING	4				
7	YFG-37039-10-10	..BOLT	4				
8	YFG-37039-11-10	..WASHER,SPRING	4				
9	YFG-37030-26-10	..BRACKET,REAR	1				
10	YFG-37031-05-30	..O RING	1				
11	YFG-37030-24-50	..COVER,FAN	1				
12	YFG-37039-10	..BOLT	2				
13	YFG-37039-12	..WASHER,PLAIN	4				
14	YFG-37039-13	..NUT	2				
15	YFG-37039-11	..WASHER,SPRING	2				
16	YFG-37030-23	..ASSY ROTOR	1				
17	YFG-37039-10-20	..BOLT	6				
18	YFG-37039-11-10	..WASHER,SPRING	6				
19	YFG-37030-26-52	..ASSY DIODE	1				
20	YFG-37039-13-10	..NUT	4				
21	YFG-37039-11	..WASHER,SPRING	4				
22	YFG-37039-12-10	..WASHER,PLAIN	4				
23	YFG-37032-62-90	..BEARING,BALL	1				
24	YFG-37032-55-60	..ADAPTER	1				
25	YFG-37039-10-30	..BOLT	8				
26	YFG-37039-11-20	..WASHER,SPRING	8				
27	YFG-37039-10-40	..BOLT	12				




 Q9CH600-J250

FIG. 25 ELECTRICAL 1

REF. NO.	PART NO.	DESCRIPTION	Q9CH				REMARKS
1	YF2-41002-32	CASE,PANEL	1				
2	YFG-37009-11-70	BOLT	8				
3	YFG-37050-35-20	BREAKER	1				
4	YFG-37009-33-40	SCREW,PAN-HEAD	2				
5	YF0-20545-00-40	NUT	2				
6	YF0-45126-00-40	WASHER,SPRING	2				
7	YF0-40136-00-40	WASHER,PLATE	4				
8	YFG-37000-39	LAMP,PILOT	1				
9	YFG-37030-36-90	METER,AMPERE	1				
10	YFG-37030-35-50	METER,VOLTAGE	1				
11	YFG-37000-36-10	METER,HZ	1				
12	YFG-37000-38-22	TRANSFORMER,CURRENT	2				
13	YFG-37009-12	BOLT	4				
14	YFG-37031-07-40	BASE,TERMINAL	1				
15	YFG-37009-11-80	BOLT	2				
16	YFG-37033-07-50	BASE,TERMINAL	1				
17	YFG-37039-14-10	SCREW,WITH WASHER	2				
18	YFG-38100-38-70	TRIMMER,HAND	1				
19	YFG-37000-38-80	SWITCH,A-CHANGE	1				
20	YFG-37000-38-90	SWITCH,V-CHANGE	1				
21	YFG-37030-28	REGULATOR,VOLTAGE	1				
22	YFG-37006-33-80	RELAY	1				
23	YF0-30345-05-10	SCREW,WITH WASHER	1				
24	YFG-37000-34-90	HOLDER,FUSE	1				
25	YFG-37030-35-30	HOLDER,FUSE	1				
26	YFG-37030-35-10	FUSE (2A)	1				
27	YF0-30345-04-10	SCREW,WITH WASHER	3				

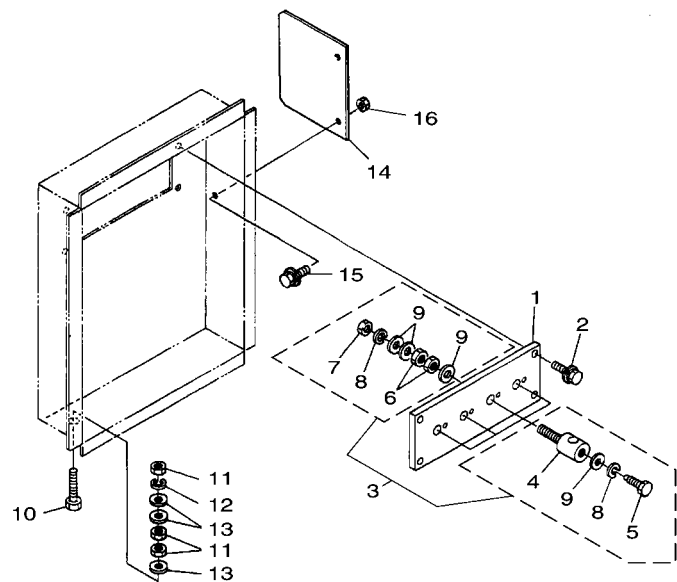



Q9CH600-J250

FIG. 25 ELECTRICAL 1

REF. NO.	PART NO.	DESCRIPTION	Q9CH			REMARKS
28	YFG-37000-34-80	FUSE (15A)	1			
29	YFG-37000-35	FUSE (10A)	1			
30	YFG-37006-13-50	METER,HOUR	1			
31	YFG-37001-07-50	BASE,TERMINAL	1			
32	YF3-74105-91-10	SWITCH,STARTER	1			
33	YF3-74105-51-50	KEY,STARTER	1			
34	YFG-36007-02	ASSY LAMP,COMBINA/T	1			
35	YF1-56946-59-90	LAMP TIMER	1			
36	YFG-37009-33-20	SCREW,WITH WASHER	1			
37	YF1-71476-06-02	EMERGENCY UNIT (EG-1)	1			
38	YFG-37009-33-10	SCREW,WITH WASHER	2			
39	YF0-30345-05-25	SCREW,WITH WASHER	4			
40	YFG-37030-35-10	FUSE (2A)	1			AP

FIG. 26 ELECTRICAL 2



REF. NO.	PART NO.	DESCRIPTION	Q9CH				REMARKS
1	YFG-37400-32-40	PLATE,TERMINAL	1				
2	YF0-10255-06-25	BOLT	4				
3	YFG-37362-06	ASSY TERMINAL	4				
4	YFG-37362-06-20	.TERMINAL	4				
5	YFG-37369-12-20	.BOLT	4				
6	YFG-37369-20-10	.NUT	8				
7	YF0-20145-01	.NUT	4				
8	YF0-45126-00-60	.WASHER,SPRING	8				
9	YFG-37369-40-30	.WASHER,PLAIN	16				
10	YF0-10535-10-40	BOLT	1				
11	YF0-20145-01	NUT	3				
12	YF0-45126-01	WASHER SPRING	1				
13	YF0-40136-01	WASHER,PLAIN	3				
14	YF4-43005-71	COVER,TERMINAL	1				
15	YFG-37009-11-80	BOLT	2				
16	YFG-37369-20-20	NUT	2				

 Q9CH600-J260



Q9CH600-J270

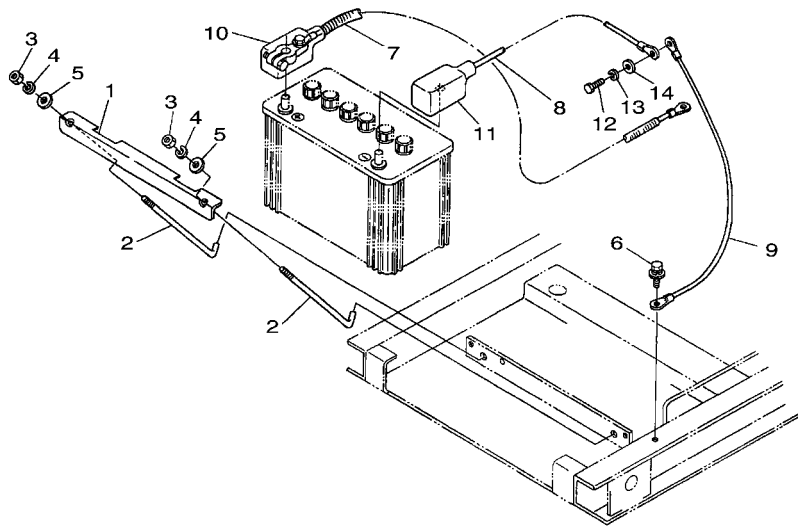
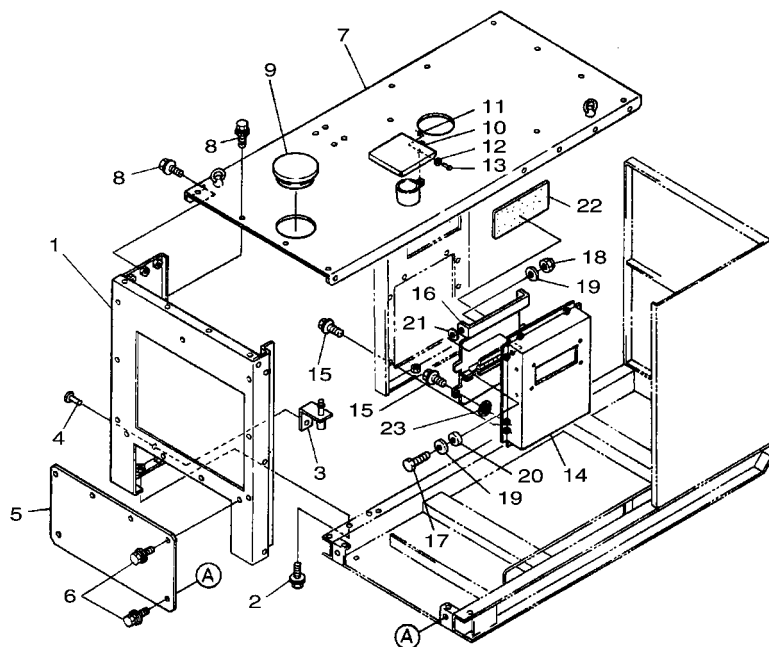


FIG. 27 ELECTRICAL 3

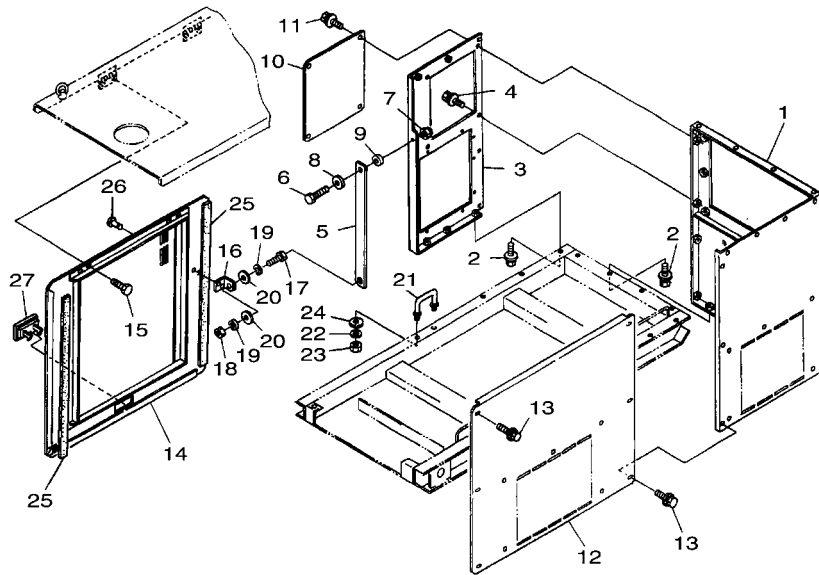
REF. NO.	PART NO.	DESCRIPTION	Q9CH				REMARKS
1	YF4-34007-11	SUPPORT,BATTERY	1				
2	YF4-44000-24-30	BOLT,HOOK(BATTERY)	2				
3	YF1-NM6A7-00	NUT	2				
4	YFW-MS6A7-00	WASHER,SPRING	2				
5	YFM-51663-4C-10	WASHER,PLAIN	2				
6	YFG-37009-33-30	SCREW,WITH WASHER	1				
7	YFG-37004-17-20	CORD,BATTERY(+)	1				
8	YFG-37006-55-60	CORD,BATTERY(-)	1				
9	YFG-37006-79-10	CORD,EARTH	1				
10	YFG-37006-38-70	COVER,BATTERY(RED)	1				
11	YFG-37006-38-80	COVER,BATTERY(BLACK)	1				
12	YF0-10735-10-20	BOLT	1				
13	YF0-45126-01	WASHER SPRING	1				
14	YF0-40136-01	WASHER,PLAIN	1				

FIG. 29 FRAME 2




Q9CH600-J290

REF. NO.	PART NO.	DESCRIPTION	Q9CH				REMARKS
1	YF3-T3036-89-10	PLATE KIT,FRONT	1				
2	YFG-37009-12-10	BOLT	6				
3	YF4-50000-70	HOLDER,COCK BASE	1				
4	YFG-37009-48-70	RIVET	2				
5	YF3-35009-70	COVER,FRONT	1				
6	YFG-37009-11-90	BOLT	6				
7	YFG-37003-05-32	COMP PLATE,ROOF	1				
8	YFG-37009-12-10	BOLT	19				
9	YFG-37007-51-10	COVER,RADIATOR TOP	1				
10	YFG-37001-26-70	CAP,MUFFLER	1				
11	YFG-37009-48-10	PIN,SNAP	1				
12	YF0-40125-00-60	WASHER,PLATE	1				
13	YF3-40704-42-40	PIN,JOINT	1				
14	YF3-43007-60	CASE,LOAD CENTER	1				
15	YFG-37009-11-70	BOLT	8				
16	YF3-43005-91	COVER,LOAD CENTER	1				
17	YF0-10535-10-30	BOLT	2				
18	YFG-37009-25	NUT,U	2				
19	YF0-40136-01	WASHER,PLAIN	4				
20	YFG-37009-66-50	RUBBER	2				
21	YFG-37009-40-10	WASHER,PLAIN	2				
22	YFG-37369-66-70	RUBBER	1				
23	YFG-37369-53-60	WASHER,LOCK	2				




 Q9CH600-J300

FIG. 30 FRAME 3

REF. NO.	PART NO.	DESCRIPTION	Q9CH				REMARKS
1	YF2-31006-71	COMP PLATE,REAR	1				
2	YFG-37009-12-10	BOLT	8				
3	YF3-31020-61	PLATE,REAR SIDE	1				
4	YFG-37009-12-10	BOLT	5				
5	YF4-31002-81	ROD,DOOR STOPPER	1				
6	YF0-10535-10-30	BOLT	1				
7	YFG-37009-25	NUT,U	1				
8	YF0-40136-01	WASHER,PLAIN	2				
9	YFG-37009-66-50	RUBBER	1				
10	YF4-31003-61	COVER,AVR	1				
11	YFG-37009-12-10	BOLT	4				
12	YF3-31027-92	PLATE,LEFT	1				
13	YFG-37009-12-10	BOLT	6				
14	YF2-31013-90	DOOR KIT,SIDE	1				
15	YFG-37009-11-50	BOLT	4				
16	YF4-31002-90	STOPPER,DOOR	1				
17	YF0-10535-08-30	BOLT	1				
18	YF0-20545-00-80	NUT	1				
19	YF0-45126-00-80	WASHER,SPRING	2				
20	YF0-40125-00-80	WASHER,PLATE	2				
21	YFG-37003-00-90	HOOK,SIDE DOOR	1				
22	YF0-45126-00-60	WASHER,SPRING	2				
23	YF0-20145-00-60	NUT	2				
24	YF0-40125-00-60	WASHER,PLATE	2				
25	YFG-37009-66-60	SEAL,RUBBER	2				
26	YFG-37009-48-70	RIVET	2				
27	YF5-K1906-13-61	ASSY HANDLE,LOCK	1				

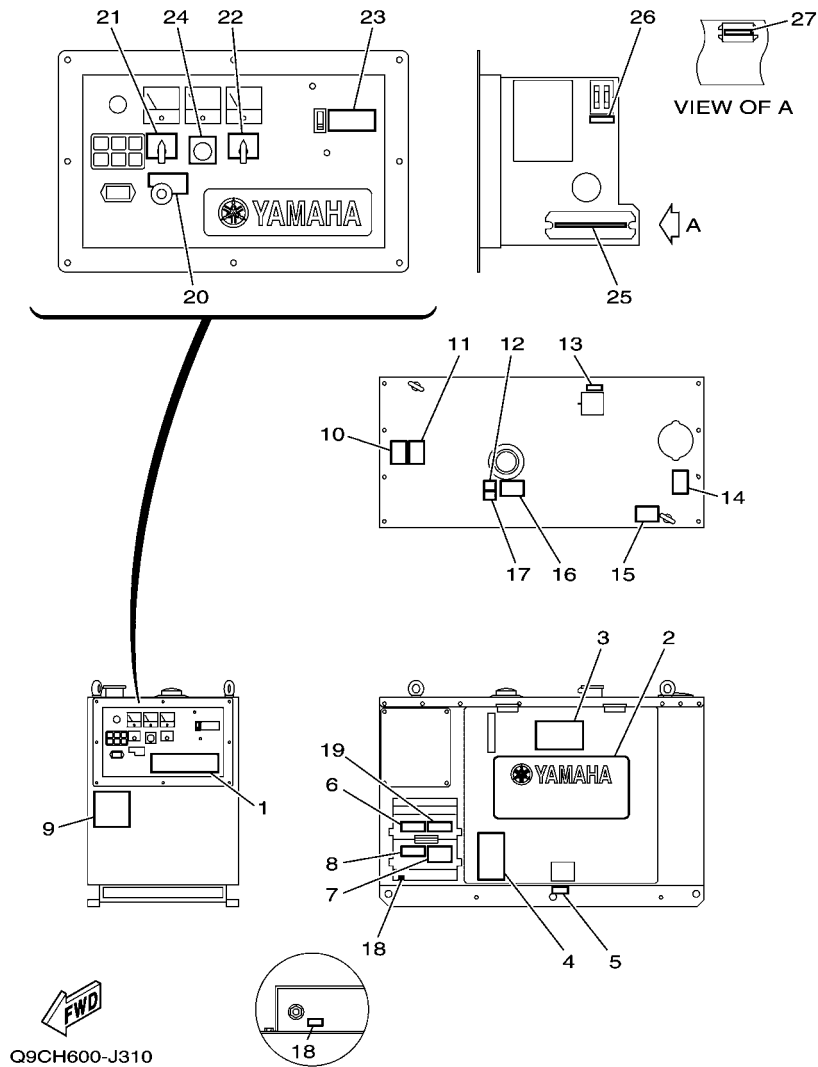


FIG. 31 LABELS

REF. NO.	PART NO.	DESCRIPTION	Q9CH			REMARKS
1	YF4-T5016-83	MARK (YAMAHA)	1			
2	YF4-T5016-85	MARK (EDL13000STE))	1			
3	YF3-T5016-91	LABEL,COVER OPEN	1			
4	YFG-38108-86-52	LABEL,OPERATION	1			
5	YFG-37008-85-91	LABEL,OIL DRAIN	1			
6	YFG-33418-83-01	LABEL,CAUTION	1			
7	YFG-33418-83-11	LABEL,CAUTION	1			
8	YFG-33418-89-51	LABEL,CAUTION (WIRING)	1			
9	YFG-37008-82-31	LABEL,INSTRUCTION	1			
10	YF3-T5016-92	LABEL,STARTER	1			
11	YFG-33418-82-41	LABEL,WARNING	1			
12	YF1-89015-09-02	LABEL,FUEL	1			
13	YF3-T5016-93	LABEL,HI-TEMP.	1			
14	YF3-T5016-94	LABEL,RADIATOR CAUT.	1			
15	YF3-T5016-95	LABEL,HOOK CAUTION	1			
16	YFG-33418-84-01	LABEL,WARNING (FUEL)	1			
17	YFG-37008-84-11	LABEL,FUEL (37L)	1			
18	YF4-70008-10	LABEL,GROUND	1			
19	YFG-33418-82-21	LABEL,WARNING	1			
20	YFG-37008-85-21	LABEL,STARTER SWITCH	1			
21	YFG-37008-85-31	LABEL,VOLT.SW-CHANGE	1			
22	YFG-37008-85-41	LABEL,E/T.SW-CHANGE	1			
23	YFG-37008-80-41	LABEL,CAUTION BREAKER	1			
24	YF4-E5010-50	LABEL,OPERATION	1			
25	YFG-37008-84-91	LABEL,TERMINAL	1			
26	YFG-37008-80-91	LABEL,FUSE	1			
27	YFG-37008-84-81	LABEL,TERMINAL	1			

NUMERICAL INDEX

PART NO.	REF. NO.	PART NO.	REF. NO.	PART NO.	REF. NO.	PART NO.	REF. NO.	PART NO.	REF. NO.	PART NO.	REF. NO.
YF0-10235-06-12	18 - 12	YF1-14606-32-70	16 - 14	YF4-31002-90	30 - 16	YFG-37004-24-50	14 - 18	YFG-37009-48-10	11 - 42	YFG-37039-13	24 - 14
YF0-10235-06-18	10 - 36	YF1-14606-33-20	16 - 23	YF4-31003-61	30 - 10	YFG-37005-72-70	11 - 41		29 - 11	YFG-37039-13-10	24 - 20
	17 - 28	YF1-14606-33-90	16 - 18	YF2-31006-71	30 - 1	YFG-37006-13-50	25 - 30	YFG-37009-48-70	22 - 13	YFG-37039-14-10	25 - 17
YF0-10235-06-20	4 - 21	YF1-14606-35	16 - 10	YF2-31013-90	30 - 14	YFG-37006-33-80	25 - 22		29 - 4	YFG-37050-35-20	25 - 3
	11 - 37	YF1-14606-35-30	16 - 9	YF3-31020-61	30 - 3	YFG-37006-38-70	27 - 10		30 - 26	YFG-37360-38-50	28 - 7
YF0-10235-06-22	10 - 37	YF1-14609-33-10	16 - 22	YF3-31027-92	30 - 12	YFG-37006-38-80	27 - 11	YFG-37009-66-50	29 - 20	YFG-37362-06	26 - 3
YF0-10255-06-25	26 - 2	YF1-14706-33-80	16 - 17	YFG-33418-82-21	31 - 19	YFG-37006-55-60	27 - 8		30 - 9	YFG-37362-06-20	26 - 4
YF0-10255-06-30	11 - 20	YF0-15135-08-22	21 - 5	YFG-33418-82-41	31 - 11	YFG-37006-79-10	27 - 9	YFG-37009-66-60	30 - 25	YFG-37369-12-20	26 - 5
YF0-10535-06-50	6 - 6	YF0-15175-10-28	16 - 1	YFG-33418-83-01	31 - 6	YFG-37007-31-30	18 - 22	YFG-37022-03-40	28 - 3	YFG-37369-20-10	26 - 6
YF0-10535-08-30	30 - 17	YF0-15185-08-22	17 - 25	YFG-33418-83-11	31 - 7	YFG-37007-31-40	14 - 19	YFG-37026-58-30	28 - 4	YFG-37369-20-20	26 - 16
YF0-10535-10-30	29 - 17	YF0-17545-06-12	17 - 30	YFG-33418-84-01	31 - 16		18 - 23	YFG-37027-21-80	18 - 21	YFG-37369-40-30	26 - 9
	30 - 6	YF0-17545-06-18	11 - 15	YFG-33418-89-51	31 - 8	YFG-37007-51-10	29 - 9	YFG-37027-21-90	18 - 20	YFG-37369-53-60	29 - 23
YF0-10535-10-40	26 - 10	YF0-17545-08-12	2 - 8	YF4-34002-91	28 - 9	YFG-37008-80-41	31 - 23	YFG-37030-21	24 - 1	YFG-37369-66-70	29 - 22
YF0-10735-10-20	27 - 12	YF0-17545-08-20	11 - 6	YF3-34004-71	18 - 25	YFG-37008-80-91	31 - 26	YFG-37030-23	24 - 16	YFG-37400-32-40	26 - 1
YF0-10735-10-30	9 - 8	YF0-17545-08-30	11 - 19	YF3-34005-10	22 - 12	YFG-37008-82-31	31 - 9	YFG-37030-24	24 - 2	YFG-37839-10-30	2 - 24
YF0-10735-12-25	23 - 5	YF0-17545-08-55	19 - 10	YF4-34007-11	27 - 1	YFG-37008-84-11	31 - 17	YFG-37030-24-10	24 - 3	YFG-38100-38-70	25 - 18
	28 - 10	YF0-17545-08-85	4 - 12	YF3-35009-70	29 - 5	YFG-37008-84-81	31 - 27	YFG-37030-24-50	24 - 11	YFG-38108-86-52	31 - 4
YF0-11235-08-18	7 - 8	YF0-17745-10	15 - 2	YFG-36001-16-20	22 - 9	YFG-37008-84-91	31 - 25	YFG-37030-25-90	24 - 4	YF1-39639-20-10	16 - 27
	7 - 14	YF0-20145-00-60	11 - 43	YFG-36001-21-10	21 - 6	YFG-37008-85-21	31 - 20	YFG-37030-26-10	24 - 9	YF0-40125-00-60	10 - 38
YF0-11235-08-20	2 - 14		30 - 23	YFG-36002-50-10	9 - 1	YFG-37008-85-31	31 - 21	YFG-37030-26-52	24 - 19		10 - 46
	2 - 22	YF0-20145-01	23 - 14	YFG-36004-10-12	14 - 1	YFG-37008-85-41	31 - 22	YFG-37030-28	25 - 21		11 - 45
	17 - 4		26 - 7	YFG-36004-17-10	14 - 16	YFG-37008-85-91	31 - 5	YFG-37030-35-10	25 - 26		29 - 12
YF0-11235-08-22	20 - 4		26 - 11	YFG-36005-75-80	10 - 20	YFG-37009-11-10	23 - 9		25 - 40		30 - 24
YF0-11235-08-25	8 - 7	YF0-20545-00-40	25 - 5	YFG-36007-02	25 - 34	YFG-37009-11-50	18 - 24	YFG-37030-35-30	25 - 25	YF0-40125-00-80	2 - 23
YF0-11235-08-28	8 - 8	YF0-20545-00-80	30 - 18	YFG-37000-34-80	25 - 28		22 - 14	YFG-37030-35-50	25 - 10		3 - 6
	17 - 24	YF0-20545-01-40	23 - 12	YFG-37000-34-90	25 - 24		30 - 15	YFG-37030-36-90	25 - 9		10 - 43
YF0-11235-08-35	17 - 14	YF0-20565-00-60	4 - 25	YFG-37000-35	25 - 29	YFG-37009-11-60	22 - 15	YFG-37030-37-90	28 - 5		13 - 11
YF0-11235-08-65	10 - 18		10 - 33	YFG-37000-36-10	25 - 11	YFG-37009-11-70	25 - 2	YFG-37030-38-02	28 - 6		30 - 20
YF0-11235-08-70	10 - 19		11 - 40	YFG-37000-38-22	25 - 12		29 - 15	YFG-37031-05-30	24 - 10	YF0-40136-00-40	12 - 18
YF0-11236-08-14	10 - 13		15 - 5	YFG-37000-38-80	25 - 19	YFG-37009-11-80	25 - 15	YFG-37031-07-40	25 - 14		25 - 7
YF0-11236-08-16	3 - 2	YF0-21125-00-80	11 - 33	YFG-37000-38-90	25 - 20		26 - 15	YFG-37032-55-60	24 - 24	YF0-40136-00-80	11 - 32
	10 - 42	YF0-21145-00-80	13 - 10	YFG-37000-39	25 - 8	YFG-37009-11-90	29 - 6	YFG-37032-62-90	24 - 23		19 - 16
YF0-11255-08-30	14 - 14		16 - 4	YFG-37000-61-60	23 - 13	YFG-37009-12	25 - 13	YFG-37033-07-50	25 - 16	YF0-40136-01	23 - 16
YF0-11275-08-30	15 - 4		16 - 28	YFG-37001-07-50	25 - 31	YFG-37009-12-10	29 - 2	YFG-37039-10	24 - 5		26 - 13
YF0-11335-10-30	16 - 2	YF0-21565-00-80	3 - 4	YFG-37001-26-70	29 - 10		29 - 8		24 - 12		27 - 14
YF0-11335-12-25	13 - 12		17 - 7	YFG-37002-03-43	28 - 2		30 - 2	YFG-37039-10-10	24 - 7		29 - 19
YF1-11514-12-60	14 - 2		17 - 27	YFG-37002-03-50	28 - 1		30 - 4	YFG-37039-10-20	24 - 17		30 - 8
YF0-11535-08-12	9 - 6		21 - 8	YFG-37003-00-90	30 - 21		30 - 11	YFG-37039-10-30	24 - 25	YF0-40136-01-20	23 - 7
	19 - 12	YF0-27515-00-80	11 - 8	YFG-37003-05-32	29 - 7		30 - 13	YFG-37039-10-40	24 - 27		28 - 12
YF0-11535-08-35	13 - 8	YF0-27615-00-40	12 - 17	YFG-37003-05-52	23 - 1	YFG-37009-25	29 - 18	YFG-37039-11	24 - 6	YF0-40136-01-40	23 - 11
YF0-11535-08-70	17 - 6	YF0-27716-01	15 - 3	YFG-37003-06-73	23 - 3		30 - 7		24 - 15	YF0-40155-00-80	14 - 11
YF1-11736-31-30	16 - 31		16 - 3	YFG-37003-06-83	23 - 4	YFG-37009-33-10	25 - 38		24 - 21	YF3-40701-68	16 - 6
YF3-12201-41-70	9 - 5	YF0-30245-05-10	5 - 3	YFG-37003-06-92	23 - 2	YFG-37009-33-20	25 - 36	YFG-37039-11-10	24 - 8	YF3-40701-68-10	16 - 11
YF3-13511-81-10	22 - 11	YF0-30245-05-20	12 - 14	YFG-37004-11-30	14 - 20	YFG-37009-33-30	23 - 18		24 - 18	YF3-40701-68-30	16 - 15
YF1-14606-30-70	16 - 8	YF0-30345-04-10	25 - 27	YFG-37004-11-40	14 - 21		27 - 6	YFG-37039-11-20	24 - 26	YF3-40701-68-40	16 - 16
YF1-14606-30-80	16 - 7	YF0-30345-05-10	25 - 23	YFG-37004-12	14 - 22	YFG-37009-33-40	25 - 4		24 - 28	YF3-40701-68-50	16 - 19
YF1-14606-31-10	16 - 13	YF0-30345-05-25	25 - 39	YFG-37004-14-40	23 - 8	YFG-37009-40-10	23 - 17	YFG-37039-12	24 - 13	YF3-40704-42-20	10 - 39
YF1-14606-31-20	16 - 25	YF4-31002-81	30 - 5	YFG-37004-17-20	27 - 7		29 - 21	YFG-37039-12-10	24 - 22	YF3-40704-42-40	29 - 13

NUMERICAL INDEX

PART NO.	REF. NO.	PART NO.	REF. NO.	PART NO.	REF. NO.	PART NO.	REF. NO.	PART NO.	REF. NO.	PART NO.	REF. NO.
YF2-41002-32	25 - 1	YF0-48175-03	5 - 9	YF1-52215-57-40	10 - 9	YF1-55215-71-15	11 - 35	YF1-58816-43-30	15 - 28	YF1-64679-10-20	4 - 11
YF1-41114-24-10	11 - 9	YF1-49114-27-50	13 - 15	YF1-52215-62-30	11 - 17	YF1-55215-72-40	11 - 34	YF1-58816-47-10	15 - 18	YF1-64775-60-50	11 - 12
YF1-41829-20-30	15 - 35	YF1-49714-27-50	14 - 13	YF1-52215-62-80	4 - 6	YF1-55217-24-62	18 - 19	YF1-58816-47-70	15 - 16	YF1-64870-33-10	3 - 14
YF3-42601-39-60	22 - 7	YF4-50000-70	29 - 3	YF1-52216-64-10	11 - 18	YF1-55217-30-35	17 - 17	YF1-58816-48	15 - 15	YF1-66526-43-10	15 - 26
YF3-42601-39-70	22 - 8	YF1-50003-43-90	14 - 6	YF1-52217-31	18 - 11	YF1-55217-31-40	18 - 7	YF1-58819-10-40	15 - 32	YF1-66526-47-80	15 - 21
YF1-42614-13-52	14 - 4	YF0-50120-04-08	1 - 8	YF1-52218-82-10	4 - 24	YF1-55217-33-20	4 - 19	YF1-58819-10-50	15 - 34	YF1-66617-30-50	17 - 20
YF4-43005-71	26 - 14	YF0-50120-06-09	1 - 9		11 - 38	YF1-55217-35-50	17 - 18	YF1-58819-20-10	15 - 12	YF1-66915-79-80	10 - 30
YF3-43005-91	29 - 16	YF0-50120-06-12	1 - 10	YF1-52219-15-30	11 - 7	YF1-55219-23-30	10 - 23	YF1-58819-20-20	15 - 33	YF1-68519-60-10	4 - 2
YF3-43007-60	29 - 14		4 - 7		17 - 5	YF1-55219-60-20	1 - 2	YF1-58819-30-10	15 - 19	YF1-68519-62-70	1 - 13
YF1-43014-23-60	14 - 17	YF0-50120-10-18	1 - 11		21 - 3	YF1-55219-60-30	1 - 3	YF1-58819-30-20	15 - 29	YF4-70008-10	31 - 18
YF1-43014-27-50	13 - 17	YF1-50211-42-40	19 - 19	YF1-52238-33-40	4 - 22	YF0-55256-06	10 - 47	YF1-58819-30-30	15 - 30	YF1-71113-64-10	6 - 2
YF4-44000-24-30	27 - 2	YF1-50213-36-60	1 - 15	YF1-52244-32	13 - 3	YF1-55438-30-40	17 - 16	YF1-58819-30-40	15 - 31	YF6-71115-51-90	28 - 8
YF0-45125-00-80	21 - 9		10 - 24	YF1-52251-61-90	10 - 15	YF1-56010-45-60	8 - 16	YF1-59573-37-40	2 - 18	YF1-71430-16-10	2 - 1
YF0-45126-00-40	25 - 6	YF1-51084-32-90	13 - 5	YF1-52251-62-14	10 - 14	YF1-56011-55-50	7 - 1	YF1-59574-20-50	14 - 12	YF1-71434-34-30	13 - 7
YF0-45126-00-60	4 - 26	YF1-51085-72-80	10 - 34	YF1-52413-69-50	4 - 16	YF1-56015-60-20	11 - 11	YF1-59774-10-20	13 - 13	YF1-71473-31-30	2 - 21
	6 - 7	YF1-51087-28-70	18 - 5	YF1-52619-60-10	3 - 10	YF1-56015-64-80	11 - 21	YF1-60825-36-10	12 - 4	YF1-71473-32-10	2 - 15
	11 - 16	YF1-51093-36-60	2 - 20	YF1-52714-27-10	12 - 2	YF1-56019-20-12	11 - 25	YF1-60825-39	12 - 3	YF1-71473-33-90	2 - 17
	11 - 39	YF1-51097-33-60	17 - 11	YF1-52727-24-20	18 - 14	YF1-56019-66-50	11 - 26	YF1-62215-44-20	11 - 28	YF1-71476-06-02	25 - 37
	11 - 44		18 - 8	YF1-52727-24-32	18 - 15	YF1-56115-54-50	10 - 5	YF1-62217-32-70	17 - 13	YF1-71835-16-50	10 - 27
	15 - 6	YFM-51663-4C-10	27 - 5	YF1-53217-32-60	17 - 12	YF1-56115-56-90	10 - 7	YF1-62316-42-30	15 - 23	YF1-71893-90-10	13 - 18
	26 - 8	YF1-51927-27-02	17 - 1	YF1-53217-33-40	1 - 17	YF1-56211-40-30	19 - 17	YF1-62316-48-50	15 - 24	YF1-72483-33-40	2 - 4
	30 - 22	YF1-51929-66-70	2 - 5	YF5-53648-17-40	2 - 16	YF1-56283-21-10	2 - 7	YF1-62416-40-60	15 - 22	YF1-72483-34-50	2 - 6
YF0-45126-00-80	3 - 5	YF1-51934-13-80	14 - 5		18 - 10	YF1-56946-59-90	25 - 35	YF1-62416-49	15 - 25	YF1-72887-42-80	15 - 7
	9 - 7	YF1-51934-30-10	13 - 1	YF1-53834-20-20	13 - 16	YF0-57120-04-08	11 - 30	YF1-62718-74-50	22 - 6	YF3-73003-51-20	14 - 9
	16 - 5	YF1-51938-74-60	13 - 6	YF1-54011-17-20	22 - 10	YF0-57120-04-10	6 - 9	YF1-62719-61-60	1 - 5	YF3-73003-51-40	14 - 10
	16 - 29	YF1-51939-70-10	15 - 9	YF1-54019-20-10	10 - 22	YF0-57120-05-25	10 - 4	YF1-62856-35-70	16 - 32	YF3-73003-51-60	14 - 7
	17 - 8	YF1-52210-17-50	3 - 1	YF1-54034-34-50	13 - 9	YF0-57120-07-20	7 - 6	YF1-62859-20-10	16 - 30	YF1-73112-20-10	8 - 21
	17 - 26	YF1-52210-33-70	3 - 8	YF1-54035-64-10	11 - 22		8 - 30	YF1-62859-80-50	16 - 20	YF1-73112-23-10	8 - 24
	19 - 11	YF1-52210-33-80	1 - 6	YF0-54110-04-20	10 - 31		15 - 8	YF1-62861-10-13	22 - 1	YF1-73112-29-70	8 - 24
	30 - 19	YF1-52210-33-90	1 - 7	YF0-54110-05-28	19 - 13	YF1-57411-10-83	22 - 2	YF1-63430-40-20	4 - 1	YF1-73112-29-80	8 - 24
YF0-45126-01	9 - 9	YF1-52210-34-90	3 - 9	YF1-54363-31-10	2 - 12	YF1-57411-14-70	22 - 5	YF1-64142-30-18	8 - 25	YF1-73211-35-80	3 - 11
	23 - 15	YF1-52211-31-53	19 - 6	YF1-54519-54	7 - 12	YF1-57419-26-20	22 - 3	YF1-64143-24-30	6 - 1	YF1-73257-24-40	18 - 16
	26 - 12	YF1-52211-32-40	19 - 3	YF1-54617-33-40	18 - 6	YF1-57419-44-30	22 - 4	YF1-64145-20-90	11 - 4	YF1-73261-22-31	21 - 7
	27 - 13	YF1-52211-32-80	19 - 7	YF1-54695-71-50	11 - 29	YF1-57486-05-70	11 - 10	YF1-64145-21-10	11 - 4	YF1-73312-10-50	8 - 18
YF0-45126-01-20	23 - 6	YF1-52211-33-30	19 - 4	YF1-54712-41-10	8 - 29	YF1-57660-41-32	4 - 8	YF1-64145-21-20	11 - 5	YF1-73312-10-90	8 - 18
	28 - 11	YF1-52211-39-80	19 - 5	YF1-54712-41-10	8 - 29	YF1-57667-34-30	17 - 23	YF1-64155-11-50	10 - 3	YF1-73312-19-80	8 - 22
YF0-45126-01-40	23 - 10	YF1-52211-43-10	19 - 15	YF1-54713-50-13	6 - 4	YF1-58411-46-20	11 - 27	YF1-64249-10-10	4 - 13	YF1-73315-61-30	11 - 13
YF1-46114-21-20	13 - 14	YF1-52211-43-53	19 - 9	YF1-54716-00-10	10 - 41	YF1-58415-36-22	12 - 7	YF1-64271-60-20	10 - 1	YF1-73315-77-40	10 - 28
YF0-46120-02-50	10 - 17	YF1-52211-44-30	19 - 14	YF1-54716-01-62	10 - 45	YF1-58415-38-50	12 - 12	YF1-64272-49-80	7 - 10	YF1-73316-01-50	10 - 44
YF1-46814-13-40	14 - 3	YF1-52211-62-70	7 - 7	YF1-54719-15-30	3 - 3	YF1-58415-38-60	12 - 13	YF1-64276-01-13	10 - 40	YF1-73317-33-42	5 - 2
YF0-48111-03	8 - 33	YF1-52211-63-20	10 - 12	YF1-55017-24-70	18 - 18	YF1-58419-20-30	12 - 5	YF1-64276-40-12	15 - 10		17 - 2
YF0-48111-03-20	2 - 13	YF1-52212-33-60	8 - 34	YF1-55116-37-60	16 - 21	YF1-58419-40-40	12 - 6	YF1-64276-40-20	15 - 17		20 - 2
YF0-48170-01-20	11 - 31	YF1-52213-36-50	1 - 12	YF1-55119-66-60	16 - 26	YF1-58419-60-20	13 - 19	YF1-64276-41-10	15 - 11	YF1-73331-60-10	7 - 3
YF0-48170-01-50	4 - 3	YF1-52213-37	1 - 16	YF1-55211-42-30	19 - 18	YF1-58523-31-40	5 - 8	YF1-64276-44-20	15 - 1	YF1-73339-10-13	2 - 3
YF0-48170-01-60	2 - 9	YF1-52213-37-50	2 - 19	YF1-55211-65-15	7 - 5	YF1-58523-31-43	2 - 10	YF1-64299-20-10	21 - 4	YF1-73557-23-80	18 - 13
YF0-48170-02	4 - 4	YF1-52213-56-82	6 - 10	YF1-55212-21-42	8 - 23	YF1-58816-40-90	15 - 27	YF6-64366-40-40	15 - 14	YF1-73627-41-12	17 - 29
YF0-48170-03-60	4 - 5	YF1-52214-31-72	13 - 2	YF1-55213-69-30	4 - 17	YF1-58816-41-50	15 - 13	YF1-64674-25-02	12 - 1	YF1-73657-42-52	17 - 31
YF0-48175-03	2 - 11	YF1-52215-54-70	10 - 6	YF1-55215-42-70	10 - 25	YF1-58816-42-60	15 - 20	YF1-64679-10-10	4 - 9	YF1-73919-61-60	1 - 4

NUMERICAL INDEX

PART NO.	REF. NO.	PART NO.	REF. NO.	PART NO.	REF. NO.	PART NO.	REF. NO.	PART NO.	REF. NO.	PART NO.	REF. NO.
YF3-74105-51-50	25 - 33	YF1-A0213-51-50	6 - 5	YF1-G4921-62-20	10 - 16						
YF3-74105-91-10	25 - 32	YF1-A0215-16-60	10 - 35	YF1-G5133-65-50	6 - 3						
YF1-74825-77-06	10 - 26	YF1-A0215-41-20	11 - 24	YF1-G7426-55-60	12 - 15						
YF1-74825-77-20	10 - 29	YF1-A0215-43-50	11 - 23	YF1-G7501-45-06	5 - 1						
YF1-74825-79-20	10 - 32	YF1-A0217-29-20	17 - 3	YF1-G7511-17-72	20 - 1						
YF1-75801-60-60	18 - 2	YF1-A0217-33-30	4 - 20	YF1-G7518-81-30	4 - 23						
YF0-77150-04-01	7 - 4	YF1-A0217-35-10	17 - 19	YF1-G7800-55-10	5 - 10						
	8 - 26	YF1-A0217-35-20	17 - 22	YF1-G7903-23-02	4 - 15						
YF0-77150-04-03	10 - 10	YF1-A0219-10-30	4 - 10	YF1-G7912-40-10	7 - 9						
YF0-77150-32-05	10 - 8	YF1-A0219-73	10 - 11	YF1-G8010-51-20	5 - 4						
YF0-77150-32-13	4 - 18	YF1-A0330-30-43	3 - 7	YF1-G8410-16-20	2 - 2						
YF6-81114-23-90	18 - 17	YF1-A0410-70-93	8 - 1	YF1-G8510-48-13	8 - 5						
YF0-81530-62-05	10 - 2	YF1-A0910-43-62	8 - 4	YF1-G8661-23-10	21 - 1						
YF3-84303-51-60	14 - 8	YF1-A0910-45-40	8 - 2	YF1-G8665-22	11 - 4						
YF1-89013-02-70	14 - 15		8 - 11	YF1-G8805-10-12	11 - 1						
YF1-89015-09-02	31 - 12		8 - 14	YF1-G8961-31-10	19 - 1						
YF1-90040-10-17	1 - 1	YF1-A0910-48-20	8 - 6	YF1-G8961-31-20	19 - 2						
YF1-90040-46-10	9 - 4	YF1-A0910-70-45	8 - 10	YF1-G8963-36-60	1 - 14						
YF1-90130-34-50	3 - 13	YF1-A0910-70-55	8 - 13	YF1-G8965-13-20	11 - 2						
YF1-90131-51-10	7 - 2	YF1-A0912-34-70	8 - 35	YF1-G8969-66-50	11 - 3						
YF1-90772-11-12	8 - 17	YF1-A0912-34-80	8 - 3	YF1-G9110-44-60	8 - 9						
YF1-90772-17-70	8 - 39		8 - 12	YF1-G9110-52-03	5 - 5						
YF1-90772-17-80	8 - 39		8 - 15	YF1-G9115-61-50	11 - 14						
YF1-90772-19-12	8 - 17	YF1-A0912-35-30	8 - 36	YF1-G9119-10-22	5 - 7						
YF1-90775-36-50	12 - 8	YF1-A0912-35-40	8 - 37	YF1-G9162-51-60	9 - 3						
YF1-90775-37-14	12 - 9	YF1-A0912-39-10	8 - 35	YF1-G9166-38-20	9 - 2						
YF1-90775-37-23	12 - 10	YF1-A0912-39-20	8 - 35	YF5-K1906-13-61	30 - 27						
YF1-90775-37-33	12 - 11	YF1-A0912-39-30	8 - 3	YF1-K5316-46-02	15 - 36						
YF1-90776-55-10	12 - 16		8 - 12	YFW-MS6A7-00	27 - 4						
YF1-92020-41-40	8 - 38		8 - 15	YF1-NM6A7-00	27 - 3						
YF1-92022-32-50	8 - 32	YF1-A0912-39-40	8 - 3	YF3-T3036-89-10	29 - 1						
YF1-92022-32-80	8 - 27		8 - 12	YF4-T5016-83	31 - 1						
YF1-92023-56-60	6 - 8		8 - 15	YF4-T5016-85	31 - 2						
YF1-92126-31	16 - 12	YF1-A0912-39-50	8 - 36	YF3-T5016-91	31 - 3						
YF1-92129-71-30	16 - 24	YF1-A0912-39-60	8 - 36	YF3-T5016-92	31 - 10						
YF1-92224-32-80	13 - 4	YF1-A0912-39-70	8 - 37	YF3-T5016-93	31 - 13						
YF0-93188-81-80	5 - 11	YF1-A0912-39-80	8 - 37	YF3-T5016-94	31 - 14						
YF1-94347-30-14	17 - 15	YF1-C0101-35-60	3 - 12	YF3-T5016-95	31 - 15						
YF1-98185-41-03	10 - 21	YF1-E0173-36-50	17 - 21								
YF1-A0211-18-22	20 - 3	YF1-E1475-72-10	11 - 36								
YF1-A0211-23-50	21 - 2	YF4-E5010-50	31 - 24								
YF1-A0211-42-60	19 - 8	YF1-G2792-13-30	8 - 20								
YF1-A0211-45-23	5 - 6	YF1-G2957-20-60	18 - 1								
YF1-A0212-13-10	8 - 19	YF1-G2957-28-50	18 - 3								
YF1-A0212-31-92	8 - 28	YF1-G2957-29-40	18 - 4								
YF1-A0212-42-52	7 - 13	YF1-G2957-53-82	18 - 9								
YF1-A0212-43-70	7 - 11	YF1-G3697-33-02	17 - 9								
YF1-A0213-22-90	4 - 14	YF1-G3697-33-40	17 - 10								