



PARTS CATALOGUE

EF6300iSE (7CK3) AUSTRALIA

2014/4/18

1G7CK-700E1

()

NEWS NO.	DATE	COMMENT
PE0-GE-100024	Oct.,6.,2010	EF6300iSDE/iSE(7CK2/7CK3) PARTS CATAROGUE CORRECTIONS
PE0-GE-130006	Jan.,7.,2013	EF6300iSDE(7CK3) PARTS CATAROGUE CORRECTIONS
PE0-GE-140003	Apr.,17,2014	EF6300iSE(7CK3) PARTS CATALOGUR CORRECTIONS

EF6300iSE
PARTS CATALOGUE
©2008 by Yamaha Motor Co., Ltd.
1st edition, November 2008
All rights reserved.
Any reprinting or unauthorized use
without the written permission of
Yamaha Motor Co., Ltd.
is expressly prohibited.
Printed in Japan.

FOREWORD

This Parts Catalogue is related to the parts for the model(s) on the cover page. When you are ordering replacement parts, please refer to this Parts Catalogue and quote both part numbers and part names correctly.

1. Modifications or additions which have been made after the issue of the Parts Catalogue will be announced in the Parts News.

It is advisable that you make the necessary corrections to the Parts Catalogue according to the Parts News.

2. Abbreviations

The following abbreviations are used in this Parts Catalogue.

“UR” Use specified parts number.

“UN” Use as many as needed.

“AP” Alternate Parts

“LM” Locally Made (Parts need to be ordered locally)

“F#” Frame No. (Applicable machine No.)

“O/S” Over Size

3. The number of components for assembly

- Parts, which are to be supplied in an assembly, are listed with a dot (.) in front of the part name as shown below.
- The numeral appearing to the right of each component part indicates the quantity of parts for each assembly unit.

PART NO.	DESCRIPTION	Q'TY	REMARKS
2F5-83310-60	FRONT FLASHER LIGHT ASSY	2	
115-83311-60	.BULB (6V-18W)	1	

4. Applicable colours of graphics are represented in the “REMARKS” as shown below.

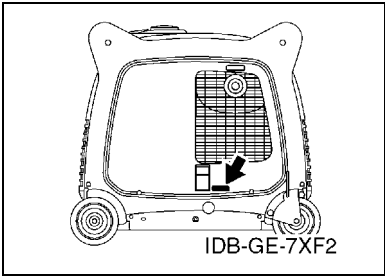
PART NO.	DESCRIPTION	Q'TY	REMARKS
2N4-24110-00-X5	FUEL TANK COMP.	2	MXR
3J1-24240-10	.GRAPHIC, FUEL TANK	1	FOR MXR

5. Note that the illustrations for reference in finding parts numbers are not to be used for assembling. When assembling, please use the applicable service manual.

6. The asterisk (*) before a reference number indicates modified items after the first edition.

FOREWORD

7. Applicable Serial No.
 Frame Serial No.



8. Applicable Colour Code (The (*) mark shows Model colour.)

Abbreviation	Colour Name	Colour Code
PBS3(*)	PURPLISH BLUE SOLID 3	0714

9. Applicable Starting Serial No.
 *****Serial NO.

Model	Model Code	Destination	Voltage	Serial NO.
EF6300iSE	7CK3	AUSTRALIA	230V-50Hz	7CK-0310101

CONTENTS

CYLINDER	1
CRANKSHAFT & PISTON	2
CAMSHAFT & VALVE	3
AIR SHROUD & STARTER	4
INTAKE	5
CARBURETOR	6
EXHAUST	8
CRANKCASE	9
FRAME	10
FRAME 2	12
FRAME 3	14
FUEL TANK	16
MAGNETO	17
STARTING MOTOR	18
GENERATOR	19
CONTROL BOX	20
LABELS	23

INDEX

NUMERICAL INDEX	24
-----------------------	----

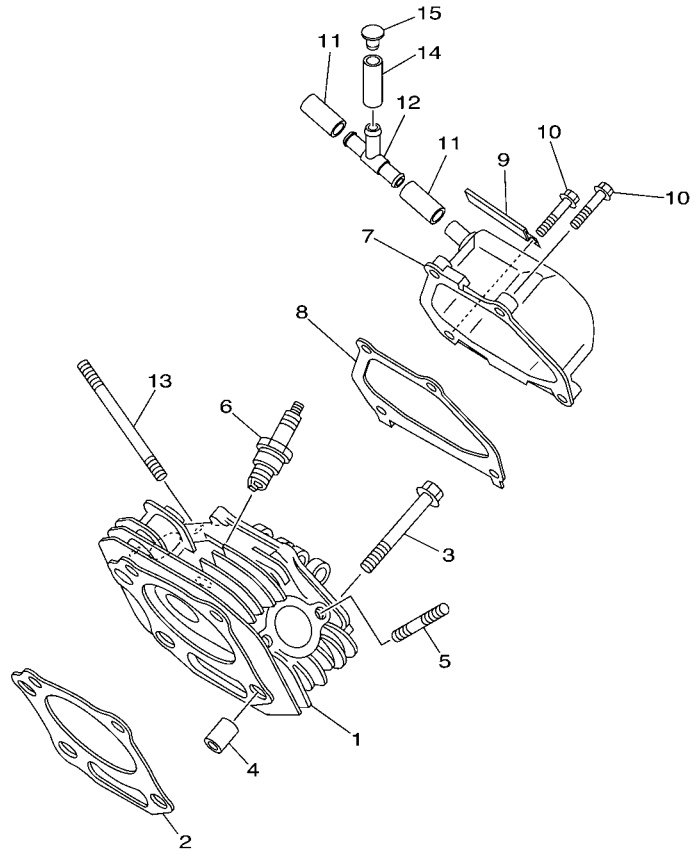
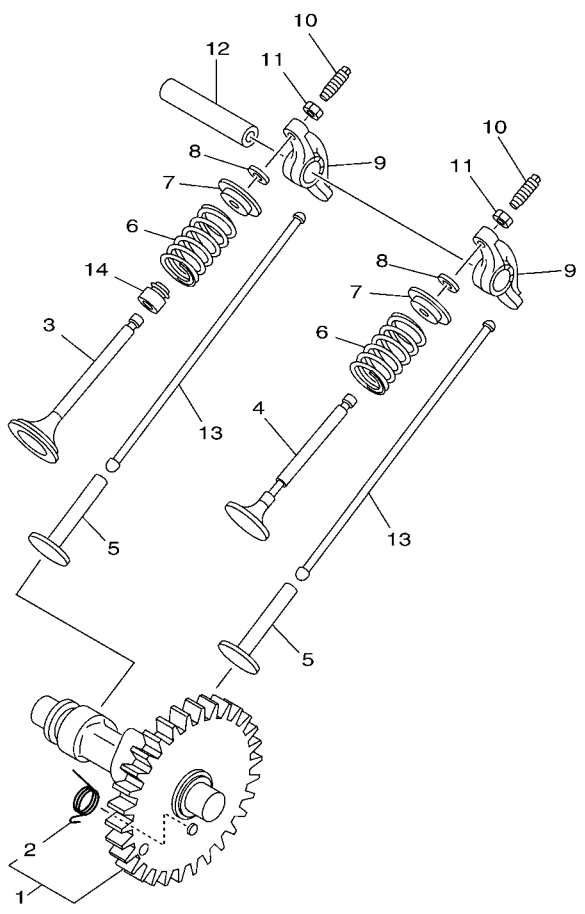


FIG. 1 CYLINDER

REF. NO.	PART NO.	DESCRIPTION	7CK3				REMARKS
1	7CT-E1111-00	HEAD, CYLINDER 1	1				
2	7CT-E1181-00	GASKET, CYLINDER HEAD 1	1				
3	95817-10070	BOLT, FLANGE	4				
4	99530-14016	PIN, DOWEL	2				
5	95627-08618	BOLT, STUD	2				
6	94702-00819	PLUG, SPARK (NGK BPR4ES)	1				
7	7CU-E1190-00	COVER, CYLINDER HEAD 1	1				
8	7CT-E1193-00	GASKET, HEAD COVER 1	1				
9	90462-05061	CLAMP	1				
10	95827-06030	BOLT, FLANGE	4				
11	7CT-E1166-20	PIPE, BREATHER 1	2				
12	7CU-E440B-00	JOINT ASSY	1				
13	95607-08700	BOLT, STUD	2				
14	90445-08M01	HOSE (L30)	1				
15	90338-09161	PLUG	1				


7XF2171-F010

FIG. 3 CAMSHAFT & VALVE



7XF2110-F030

REF. NO.	PART NO.	DESCRIPTION	7CK3				REMARKS
1	7CT-E2170-00	CAMSHAFT ASSY 1	1				
2	7CT-E2287-00	.SPRING, DECOMPRESSION	1				
3	7CT-E2111-00	VALVE, INTAKE	1				
4	7CT-E2121-00	VALVE, EXHAUST	1				
5	7CT-E2153-00	LIFTER, VALVE	2				
6	90501-264A9	SPRING, COMPRESSION	2				
7	7CT-E2117-00	RETAINER, VALVE SPRING	2				
8	7CT-E2118-00	COTTER, VALVE	2				
9	7CT-E2151-00	ARM, VALVE ROCKER	2				
10	7CT-E2159-00	SCREW, VALVE ADJUSTING	2				
11	90170-05806	NUT	2				
12	7CT-E2156-00	SHAFT, ROCKER 2	1				
13	JW1-E2154-00	ROD, VALVE PUSH	2				
14	7CT-E2119-00	SEAL, VALVE STEM	1				

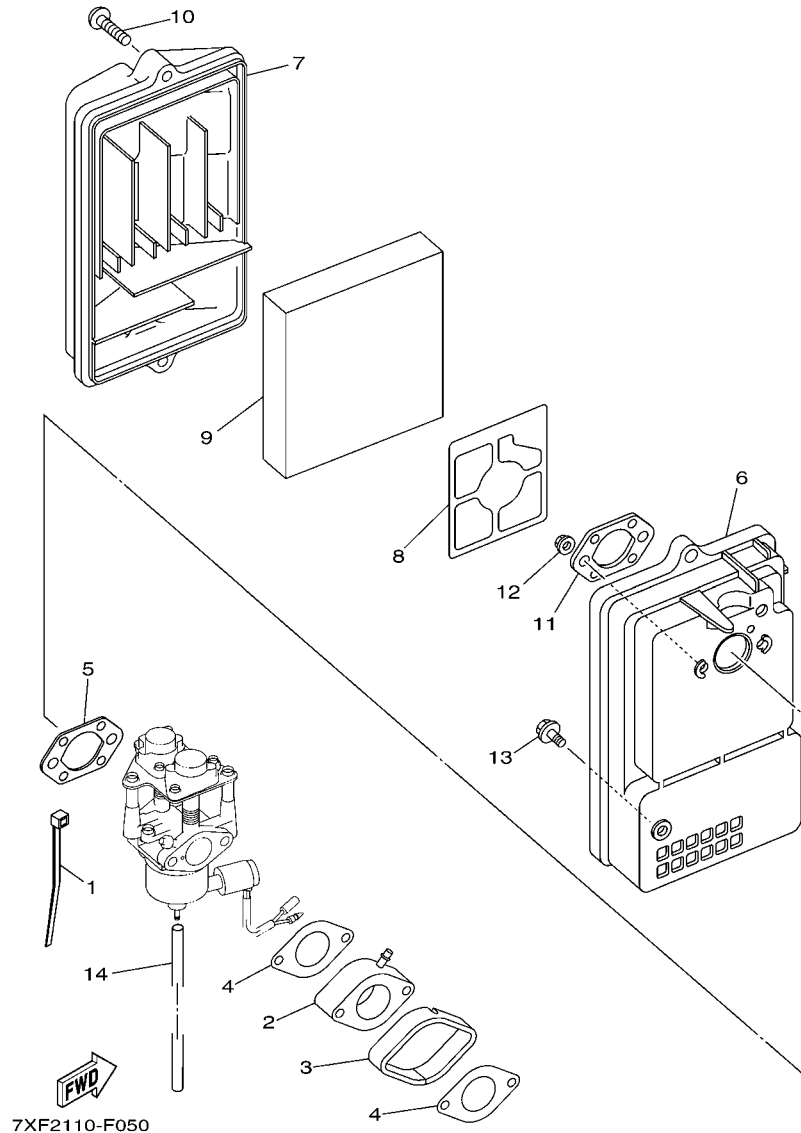


FIG. 5 INTAKE

REF. NO.	PART NO.	DESCRIPTION	7CK3				REMARKS
1	7CN-H7188-00	BINDER	1				
2	7CT-E3596-00	JOINT, CARBURETOR 2	1				
3	7CU-E3593-10	DAMPER	1				
4	7CT-E3557-00	GASKET	2				
5	7CT-E3567-10	GASKET	1				
6	7CT-E4411-10	CASE, AIR CLEANER 1	1				
7	7CT-E4412-00	CAP, CLEANER CASE 1	1				
8	7CT-E4468-00	PLATE,ELEMENT FITTING	1				
9	7CT-E4451-00	ELEMENT, AIR CLEANER	1				
10	7CT-E4429-00	SCREW	2				
11	7CT-E4477-20	PLATE	1				
12	95707-08500	NUT, FLANGE	2				
13	95807-06016	BOLT, FLANGE	1				
14	7XF-14148-00	PIPE	1				

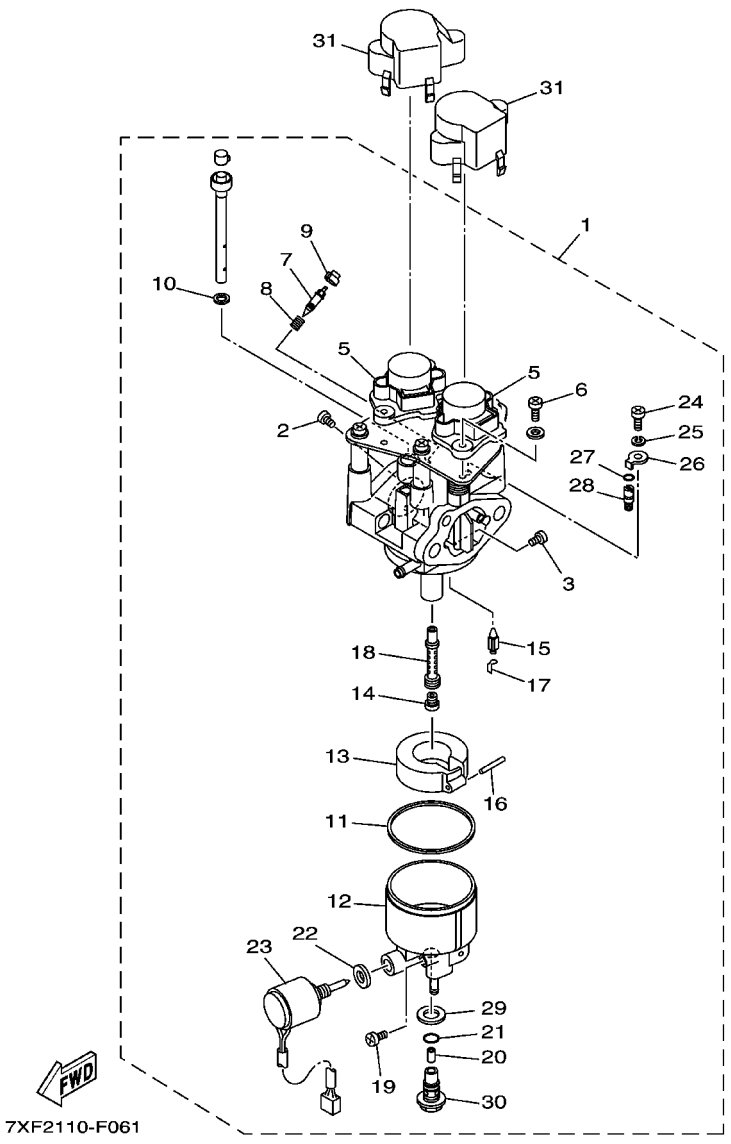
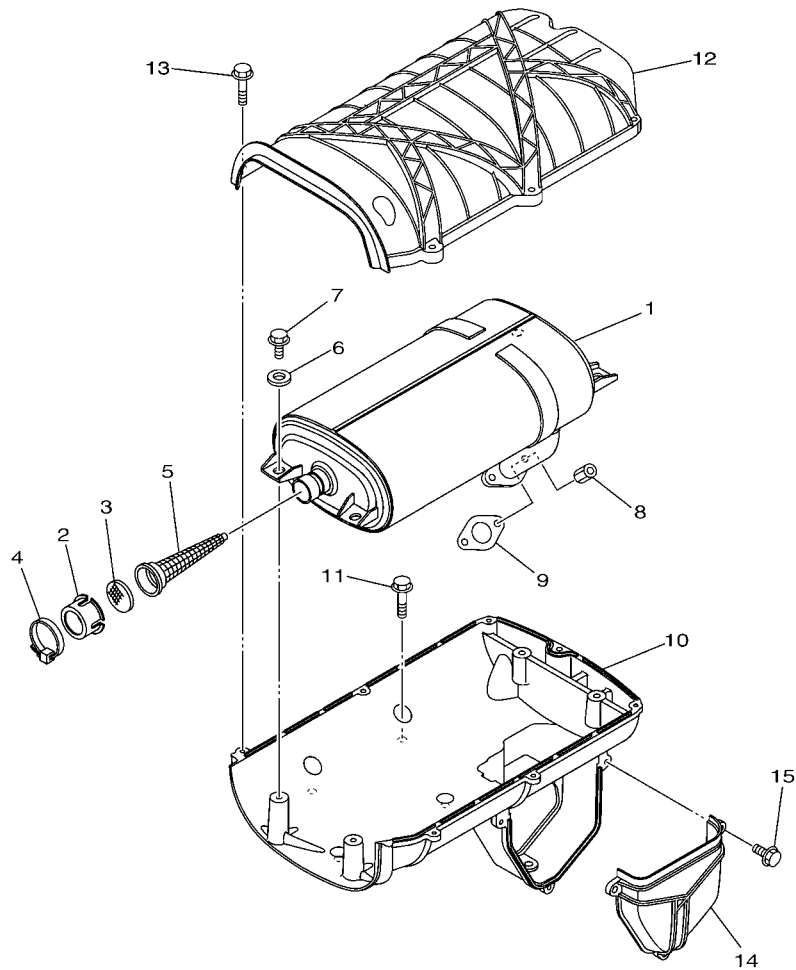


FIG. 6 CARBURETOR

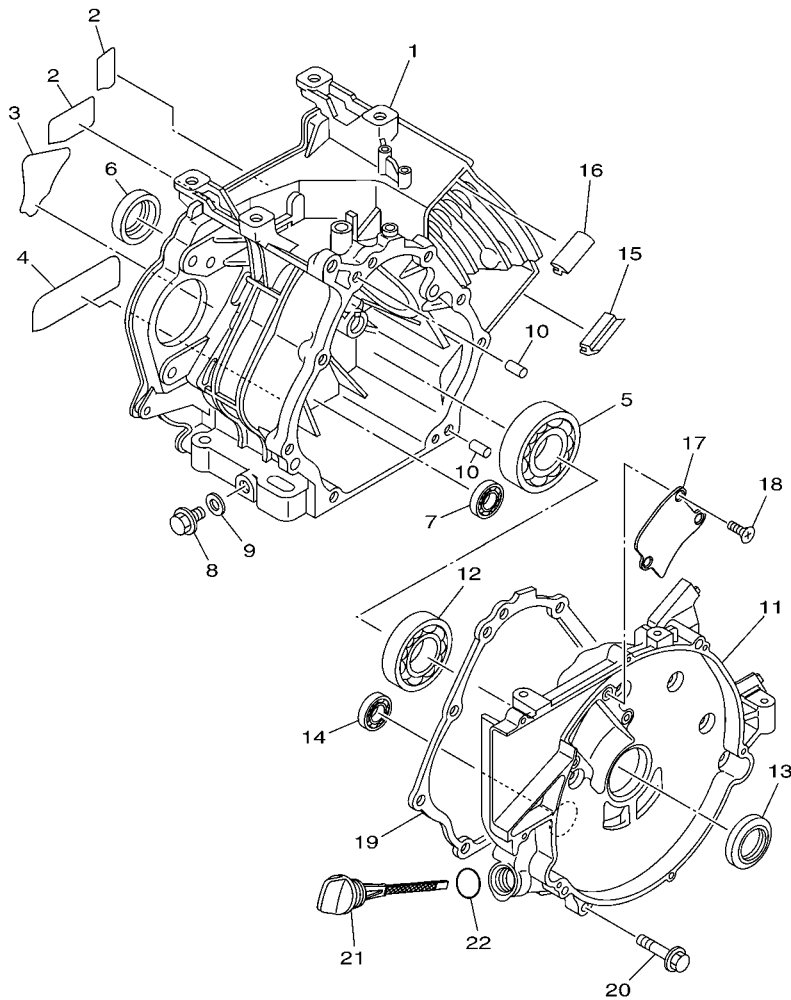
REF. NO.	PART NO.	DESCRIPTION	7CK3				REMARKS
1	7CU-E4101-31	CARBURETOR ASSY 1	1				
2	7RH-14216-00	.SCREW	2				
3	7RH-14486-00	.SCREW, ROD	2				
5	7XF-81802-09	.MOTOR UNIT ASSY	2				
6	4SV-24453-00	.SCREW	2				
7	7CU-E4211-00	.SCREW, PILOT ADJUSTING	1				
8	73A-14212-10	.SPRING	1				
9	7CP-E4118-00	.CAP	1				
10	7X9-14239-00	.SEAL	1				
11	796-14184-00	.GASKET, FLOAT CHAMBER	1				
12	7CU-E4181-00	.BODY, FLOAT CHAMBER 1	1				
13	JN6-14185-00	.FLOAT	1				
14	73A-1414G-00	.PIPE, MAIN BLEED	1				
15	73A-14150-00	.NEEDLE ASSY	1				
16	22F-14186-00	.PIN, FLOAT	1				
17	7EG-14159-00	.CLIP	1				
18	7WG-1495N-6G	.NOZZLE, MAIN	1				
19	7RH-14191-00	.PLUG, DRAIN	1				
20	1HX-14143-23	.JET, MAIN (#115)	1				
21	36Y-14147-00	.O-RING	1				
22	256-14956-01	.WASHER	1				
23	7RH-1410H-01	.FUEL CUT SOLENOID VALVE	1				
24	98507-05008	.SCREW, PAN HEAD	1				
25	92990-05100	.WASHER, SPRING	1				
26	7CU-E4527-00	.PLATE	1				
27	2H0-14147-00	.O-RING	1				




 7XF2110-F070

FIG. 7 EXHAUST

REF. NO.	PART NO.	DESCRIPTION	7CK3				REMARKS
1	7CU-E4711-00	MUFFLER 1	1				
2	7CT-E4799-10	CAP	1				
3	7CT-E479E-10	NET, WIRE 2	1				
4	90460-38241	CLAMP, HOSE	1				
5	7CT-E4786-00	ARRESTER, SPARK	1				
6	90201-08846	WASHER, PLATE	4				
7	95827-08016	BOLT, FLANGE	4				
8	90170-08209	NUT	2				
9	7CT-E4613-01	GASKET, EXHAUST PIPE	1				
10	7CU-E4627-00	COVER, EXHAUST	1				
11	95807-08030	BOLT, FLANGE	5				
12	7CU-E4637-00	EXHAUST COVER ASS'Y	1				
13	95807-06025	BOLT, FLANGE	6				
14	7CU-E4708-00	PROTECTOR ASSY	1				
15	95807-06016	BOLT, FLANGE	3				




7CK2110-G080

FIG. 8 CRANKCASE

REF. NO.	PART NO.	DESCRIPTION	7CK3				REMARKS
1	7CT-E5121-30	CRANKCASE 2	1				
2	7CP-E5315-00	SEAL, CRANKCASE	2				
3	7CU-E5315-00	SEAL, CRANKCASE	1				
4	7CU-E5379-00	SEAL, CRANKCASE	1				
5	93306-307Y1	BEARING	1				
6	93102-35802	OIL SEAL	1				
7	93306-252X4	BEARING	1				
8	90340-12097	PLUG, STRAIGHT SCREW	1				
9	7CT-E1198-00	GASKET	1				
10	99530-08016	PIN, DOWEL	2				
11	7CU-E5411-01	COVER, CRANKCASE 1	1				
12	93306-207Y0	BEARING	1				
13	93102-35802	OIL SEAL	1				
14	93306-252X4	BEARING	1				
15	7CU-E5494-10	SEAL, PROTECTOR	1				
16	7CU-E5495-01	SEAL, PROTECTOR 1	1				
17	7CU-E5123-00	PLATE, BAFFLE 1	1				
18	98707-06016	SCREW, FLAT HEAD	3				
19	7CT-E5451-00	GASKET, CRANKCASE COVER 1	1				
20	95817-08045	BOLT, FLANGE	8				
21	7CT-E5362-00	PLUG, OIL LEVEL	1				
22	93210-22805	O-RING	1				

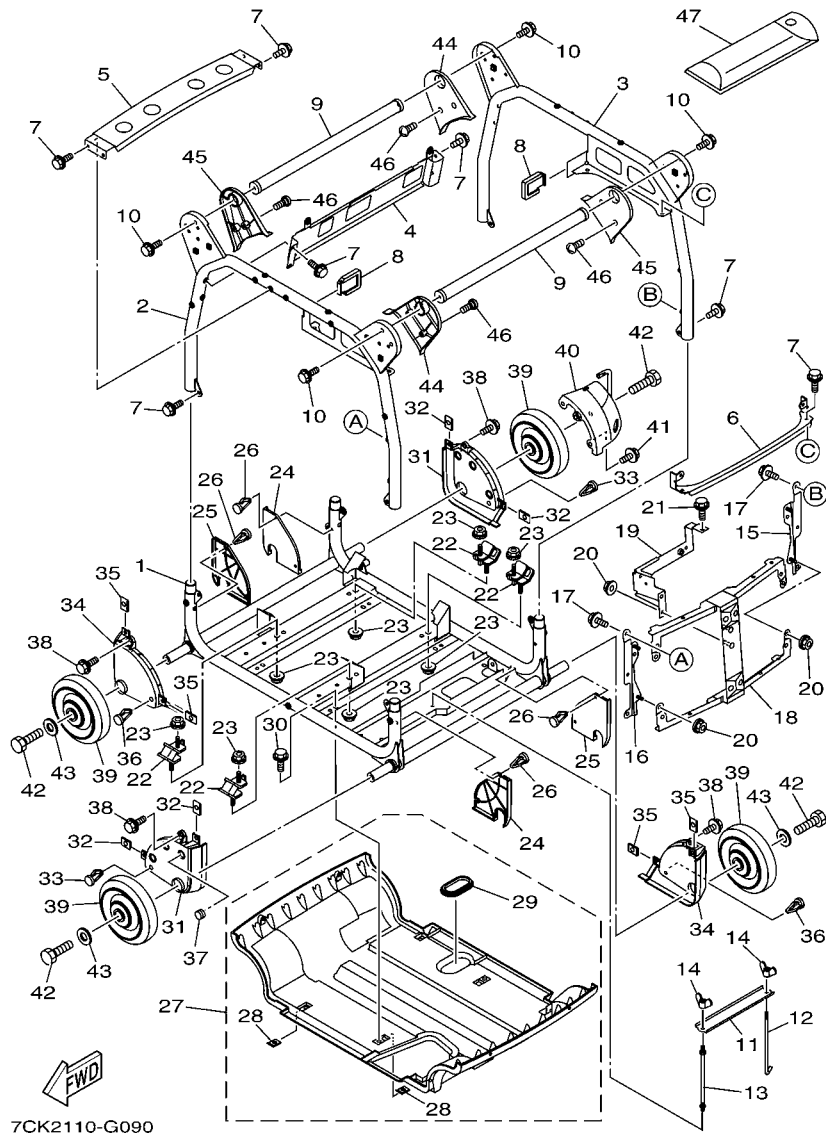
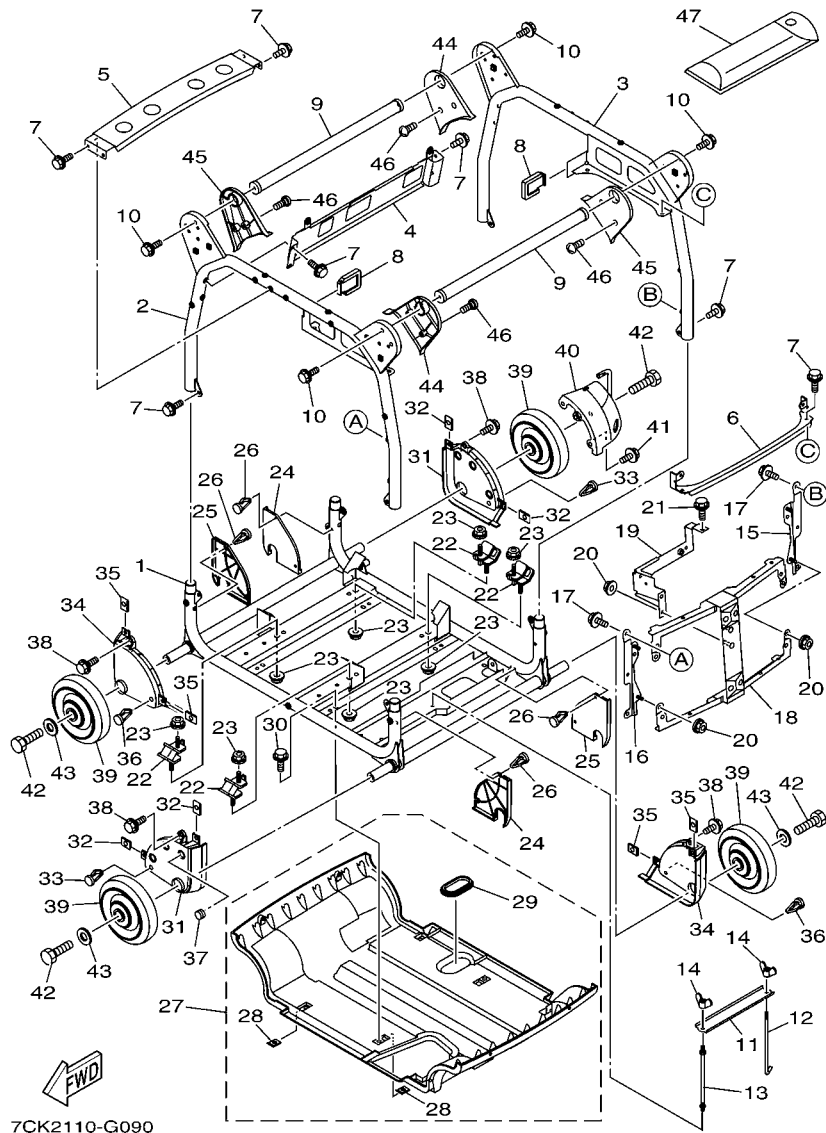


FIG. 9 FRAME

REF. NO.	PART NO.	DESCRIPTION	7CK3				REMARKS
1	7XF-22840-00	FRAME COMP.	1				
2	7XF-22850-00	FRAME COMP. 2	1				
3	7XF-22860-00	FRAME COMP. 3	1				
4	7XF-22822-00	MEMBER 2	1				
5	7XF-22823-00	MEMBER 3	1				
6	7XF-22824-00	MEMBER 4	1				
7	95827-06012	BOLT, FLANGE	12				
8	7XF-2282E-00	STOPPER	4				
9	7XF-22830-00	HANDLE ASSY	2				
10	95807-08012	BOLT, FLANGE	4				
11	7XF-82136-00	PLATE, BATTERY FITTING	1				
12	7XF-82133-00	SCREW, FITTING	1				
13	7XF-8213A-00	SCREW, FITTING	1				
14	90175-06008	NUT, WING	2				
15	7CK-22831-00	STAY 1	1				
16	7CK-22832-00	STAY 2	1				
17	95827-06012	BOLT, FLANGE	6				
18	7CK-8721E-00	STAY, CONTROL PLATE 1	1				
19	7CK-8721H-00	STAY, 2	1				
20	95707-06500	NUT, FLANGE	6				
21	95827-06012	BOLT, FLANGE	1				
22	7RH-22891-00	INSULATOR, MOUNTING	4				
23	95707-10500	NUT, FLANGE	8				
24	7XF-2412A-00	PANEL, INNER 1	2				
25	7XF-2412E-00	PANEL, INNER 2	2				
26	90269-07076	RIVET	8				
27	7XF-228H0-00	COVER ASSY 8	1				



7CK2110-G090

FIG. 9 FRAME

REF. NO.	PART NO.	DESCRIPTION	7CK3				REMARKS
28	90183-060A3	.NUT, SPRING	6				
29	7WL-22857-00	.COVER 4	1				
30	95827-06012	BOLT, FLANGE	6				
31	7XF-25167-00	PANEL, WHEEL 1	2				
32	90183-05076	NUT, SPRING	4				
33	90269-07076	RIVET	2				
34	7XF-25177-00	PANEL, WHEEL 2	2				
35	90183-05076	NUT, SPRING	4				
36	90269-07076	RIVET	2				
37	90338-15004	PLUG	3				
38	95827-06016	BOLT, FLANGE	4				
39	7CH-23781-C0	WHEEL	4				
40	7XF-23743-00	STOPPER 1	1				
41	95027-08030	BOLT, FLANGE	2				
42	97027-10016	BOLT, HEXAGON	4				
43	90201-10056	WASHER, PLATE	3				
44	7XF-22855-00	COVER 2	2				
45	7XF-22856-00	COVER 3	2				
46	7CG-23119-00	SCREW	8				
47	7TA-28100-00	TOOL KIT	1				

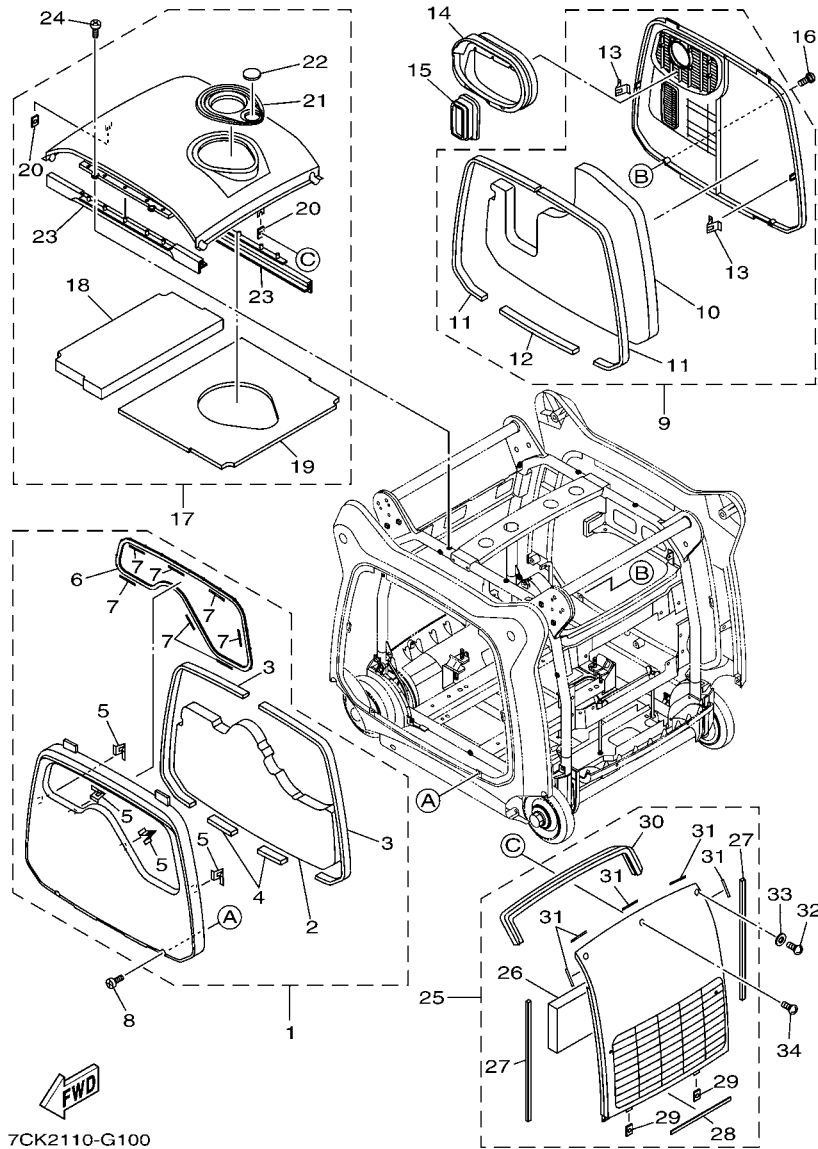


FIG. 10 FRAME 2

REF. NO.	PART NO.	DESCRIPTION	7CK3				REMARKS
1	7XF-228A0-00	COVER ASSY 1	1				
2	7XF-22873-00	.SEAL 1	1				
3	7XF-2281A-00	.SEAL, RUBBER 1	2				
4	7XF-2281L-00	.SEAL, RUBBER 8	2				
5	90468-04001	.CLIP	4				
6	7XF-2289H-00	.SEAL 19	1				
7	7XF-2289K-00	.SEAL 21	7				
8	7CG-23119-00	SCREW	2				
9	7CK-228B0-00	COVER ASSY 2	1				
10	7XF-22874-00	.SEAL 2	1				
11	7XF-2281A-00	.SEAL, RUBBER 1	2				
12	7XF-2281E-00	.SEAL, RUBBER 2	1				
13	90468-04001	.CLIP	2				
14	7XF-2286A-00	DUCT 1	1				
15	7XF-2286B-00	DUCT 3	1				
16	7CG-23119-00	SCREW	2				
17	7XF-228C0-00	COVER ASSY 3	1				
18	7XF-22875-00	.SEAL 3	1				
19	7XF-22876-00	.SEAL 4	1				
20	90183-05076	.NUT, SPRING	2				
21	7XF-2414G-00	.SEAL	1				
22	7WL-21764-00	.LENS, LEVEL GAUGE	1				
23	7XF-2289G-00	.SEAL 18	2				
24	90149-06263	SCREW	4				
25	7CK-228D0-01	COVER ASSY 4	1				
26	7XF-22877-00	.SEAL, 5	1				
27	7XF-2289L-00	.SEAL 22	2				

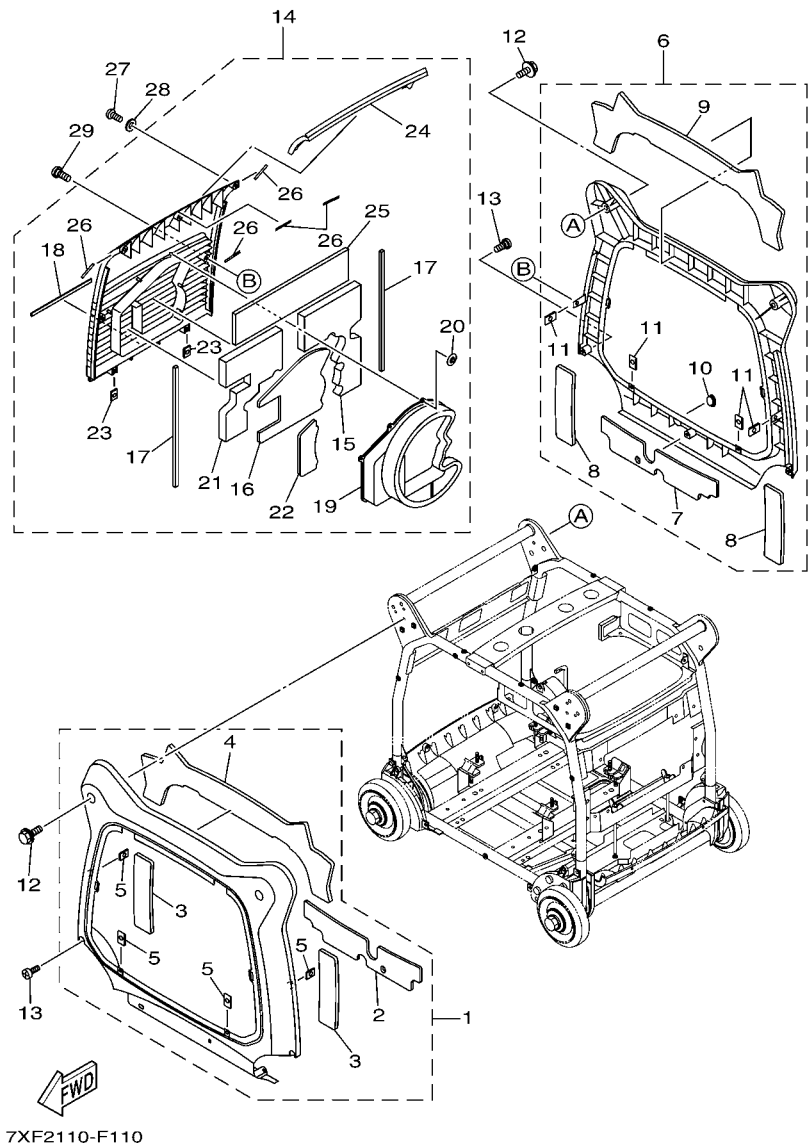
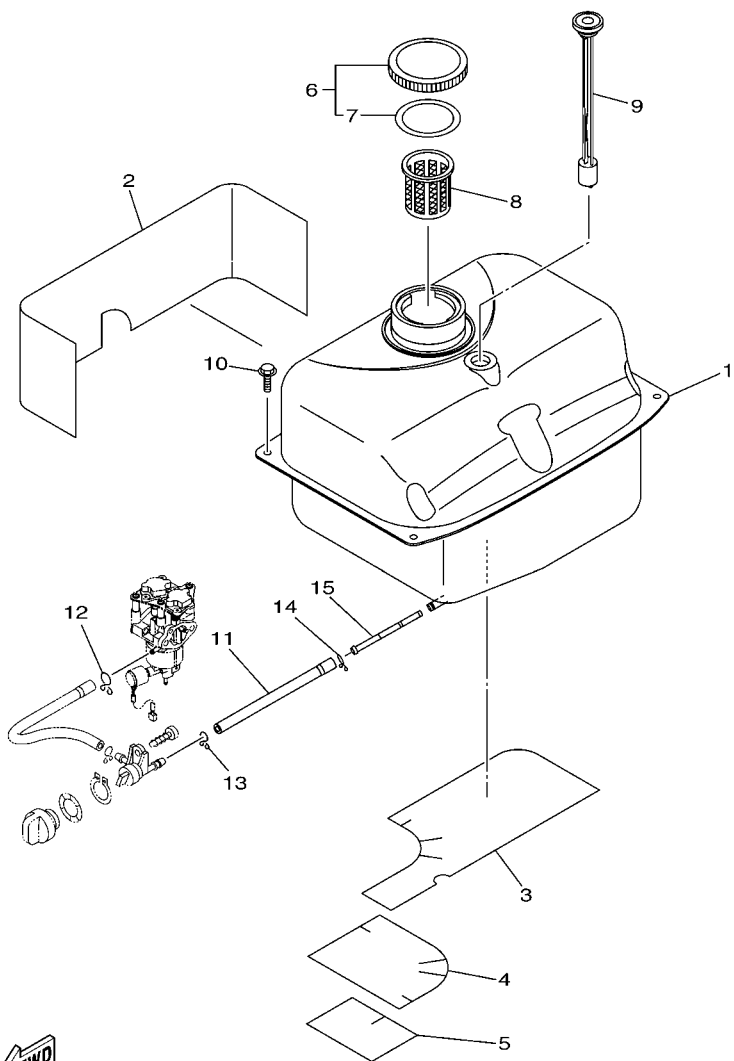


FIG. 11 FRAME 3

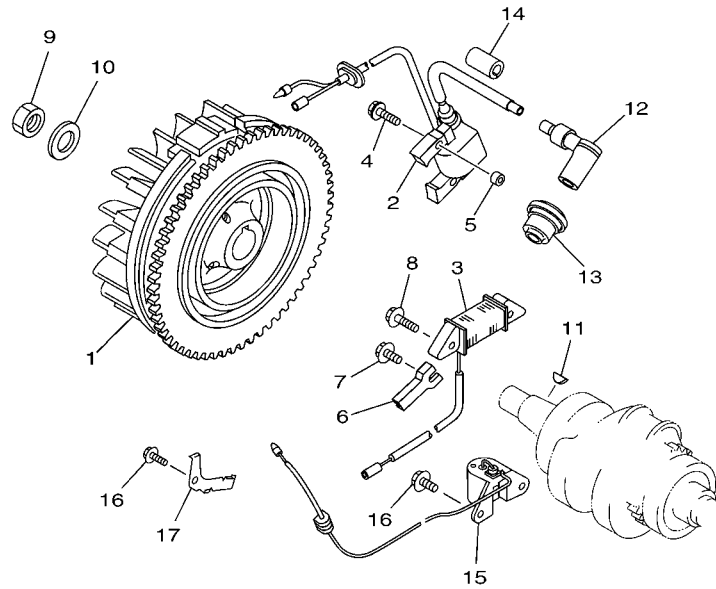
REF. NO.	PART NO.	DESCRIPTION	7CK3				REMARKS
1	7XF-228F0-00	COVER ASSY 6	1				
2	7XF-22887-00	.SEAL 10	1				
3	7XF-22888-00	.SEAL 11	2				
4	7XF-22896-00	.SEAL 13	1				
5	90183-05076	.NUT, SPRING	4				
6	7XF-228G0-00	COVER ASSY 7	1				
7	7XF-22887-00	.SEAL 10	1				
8	7XF-22888-00	.SEAL 11	2				
9	7XF-22896-00	.SEAL 13	1				
10	7XF-22857-00	.COVER 4	1				
11	90183-05076	.NUT, SPRING	4				
12	95827-06016	BOLT, FLANGE	6				
13	7CG-23119-00	SCREW	8				
14	7XF-228E0-01	COVER ASSY 5	1				
15	7XF-22878-00	.SEAL 6	1				
16	7XF-22879-00	.SEAL, 7	1				
17	7XF-2289L-00	.SEAL 22	2				
18	7XF-2281K-00	.SEAL, RUBBER 7	1				
19	7XF-2286E-00	.DUCT 2	1				
20	90183-05004	.NUT, SPRING	7				
21	7XF-22885-00	.SEAL 8	1				
22	7XF-22886-00	.SEAL 9	1				
23	90183-05076	.NUT, SPRING	2				
24	7XF-2281M-00	.SEAL, RUBBER 9	1				
25	7XF-2289J-00	.SEAL 20	1				
26	7XF-2289K-00	.SEAL 21	5				
27	98507-05016	SCREW, PAN HEAD	2				

FIG. 12 FUEL TANK



7CK2171-G120

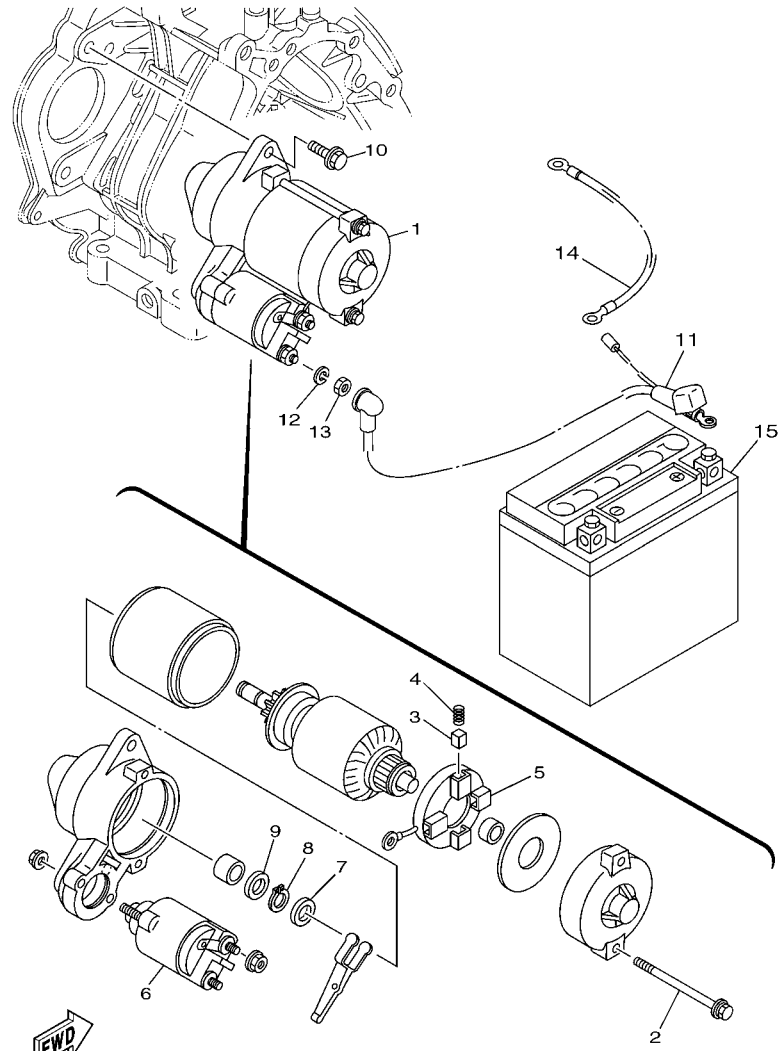
REF. NO.	PART NO.	DESCRIPTION	7CK3				REMARKS
1	7XF-24110-20	FUEL TANK COMP.	1				
2	7XF-241A3-00	SEAL 3	1				
3	7XF-241A4-00	SEAL 4	1				
4	7XF-241A5-00	SEAL, 5	1				
5	7XF-241A6-00	SEAL 6	1				
6	74T-24610-00	CAP ASSY	1				
7	796-24612-00	.GASKET, CAP	1				
8	630-24167-00	STRAINER	1				
9	7XF-85710-00	FUEL LEVEL GAUGE ASSY	1				
10	95827-06012	BOLT, FLANGE	4				
11	7XF-24311-10	PIPE, FUEL 1	1				
12	90467-09103	CLIP	1				
13	90467-10008	CLIP	1				
14	90467-11106	CLIP	1				
15	5BM-24514-00	NET, FILTER 1	1				




7XF2110-F130

FIG. 13 MAGNETO

REF. NO.	PART NO.	DESCRIPTION	7CK3				REMARKS
1	7CU-H5650-00	ROTOR ASSY	1				
2	7CU-H5640-00	T.C.I. UNIT ASSY	1				
3	7CU-H5521-20	COIL ASSY	1				
4	95880-06030	BOLT, FLANGE	2				
5	7CU-H246K-00	SPACER	2				
6	90462-06232	CLAMP	1				
7	95807-06012	BOLT, FLANGE	1				
8	95807-06025	BOLT, FLANGE	2				
9	90170-18391	NUT	1				
10	90201-18008	WASHER, PLATE	1				
11	90280-04801	KEY, WOODRUFF	1				
12	7CN-H2370-00	PLUG CAP ASSY	1				
13	7CP-H2372-00	SEAL, PLUG CAP	1				
14	7CP-H2373-00	SEAL, HIGH TENSION CORD	1				
15	7CT-H5720-00	OIL LEVEL GAUGE ASSY	1				
16	95827-06012	BOLT, FLANGE	3				
17	7CN-H5724-00	CLAMP	1				



7XF2110-F140

FIG. 14 STARTING MOTOR

REF. NO.	PART NO.	DESCRIPTION	7CK3				REMARKS
1	7CU-H1800-00	STARTING MOTOR ASSY	1				
2	7CU-H1826-00	.BOLT	2				
3	7CU-H1812-00	.BRUSH 2	4				
4	7CU-H1813-00	.SPRING, BRUSH	4				
5	7CU-H1840-00	.BRUSH HOLDER ASSY	1				
6	7CU-H1870-00	.STARTING SWITCH ASSY	1				
7	7CU-H1833-00	.RING, STOP	1				
8	7CU-H1834-00	.RING	1				
9	7CU-H1835-00	.WASHER	1				
10	95807-08025	BOLT, FLANGE	2				
11	7XF-82115-01	WIRE, PLUS LEAD	1				
12	92902-08100	WASHER, SPRING	1				
13	95302-08600	NUT	1				
14	7CK-82116-01	WIRE, MINUS LEAD	1				
15	4SH-82100-22	BATTERY ASSY (YUASA YTX20L-BS)	1				

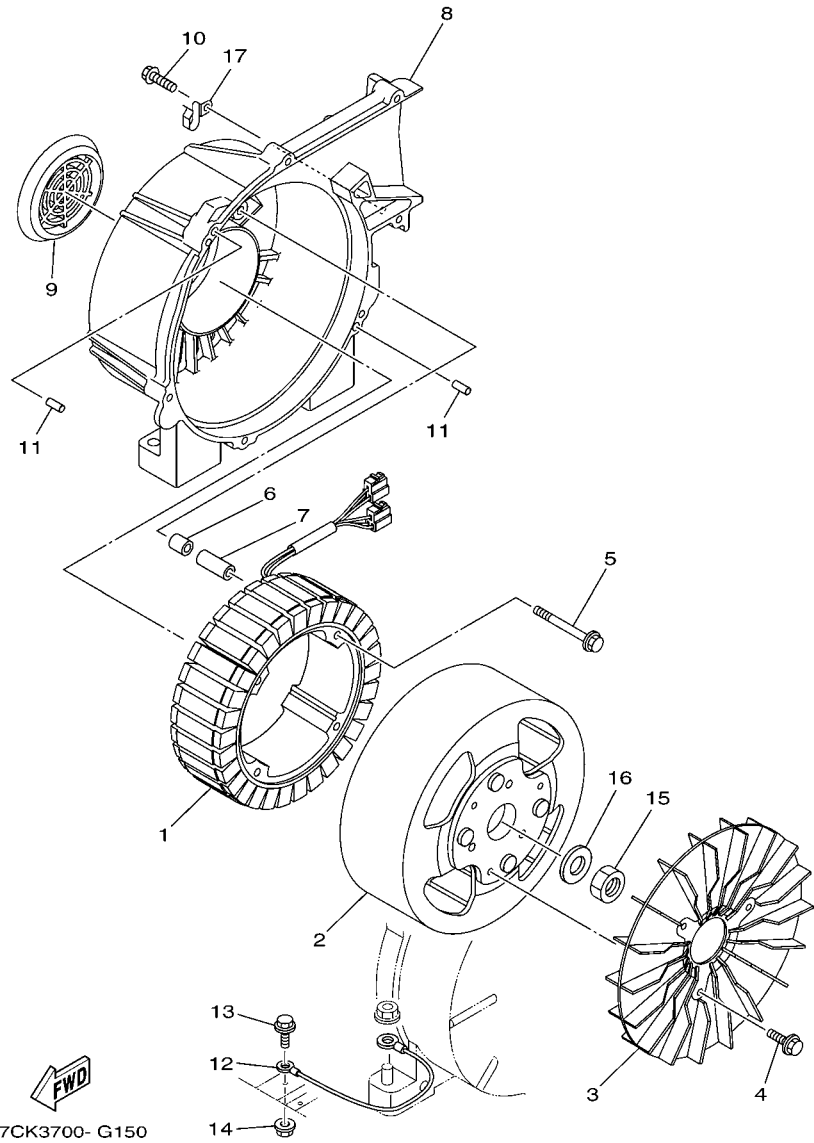


FIG. 15 GENERATOR

REF. NO.	PART NO.	DESCRIPTION	7CK3				REMARKS
1	7CK-87150-20	STATOR ASSY	1				
2	7XF-87160-00	ROTOR ASSY	1				
3	7XF-87172-00	FAN, GENERATOR	1				
4	95807-06016	BOLT, FLANGE	3				
5	95827-08065	BOLT, FLANGE	4				
6	99530-10114	PIN, DOWEL	2				
7	7XF-8719F-00	TUBE 7	2				
8	7XF-87174-01	COVER, REAR END	1				
9	7XF-87127-00	GROMMET	1				
10	95807-06035	BOLT, FLANGE	7				
11	99530-08016	PIN, DOWEL	2				
12	7XF-87139-00	LEAD WIRE ASSY 2	1				
13	95807-06010	BOLT, FLANGE	1				
14	95707-06500	NUT, FLANGE	1				
15	90170-18391	NUT	1				
16	90201-186M4	WASHER, PLATE	1				
17	90465-08021	CLAMP	1				

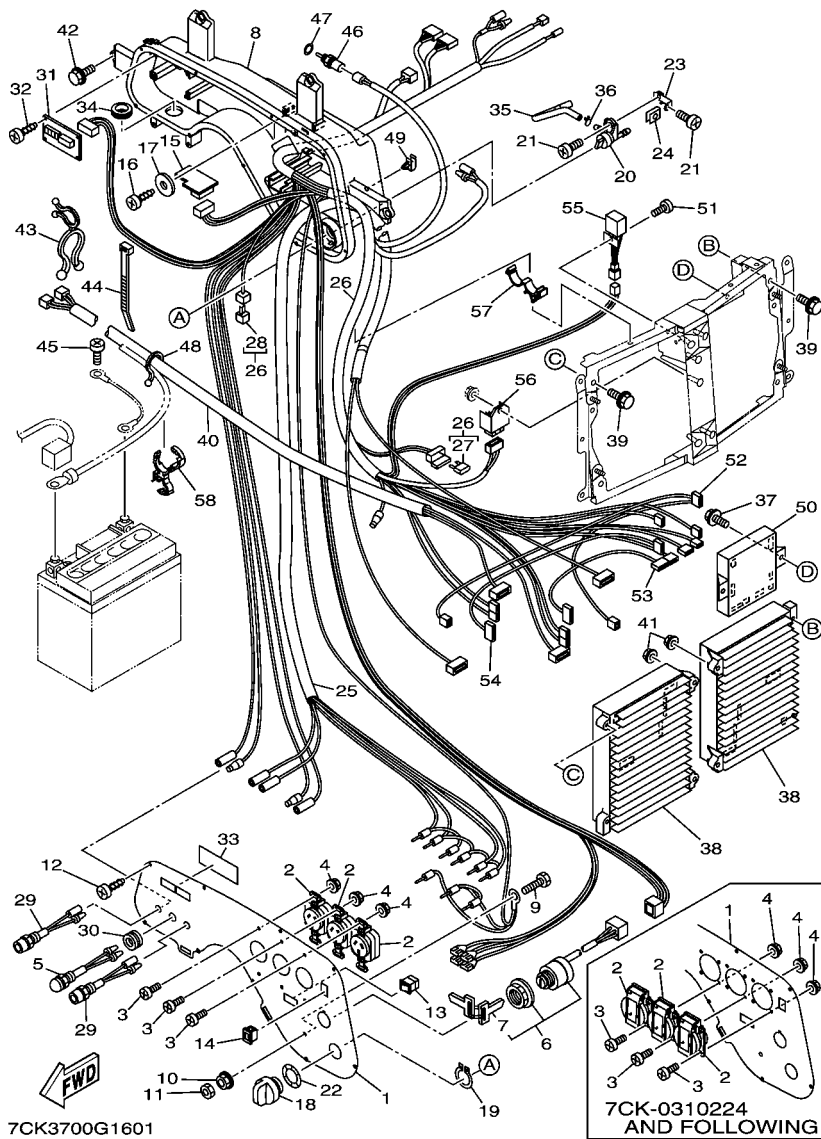
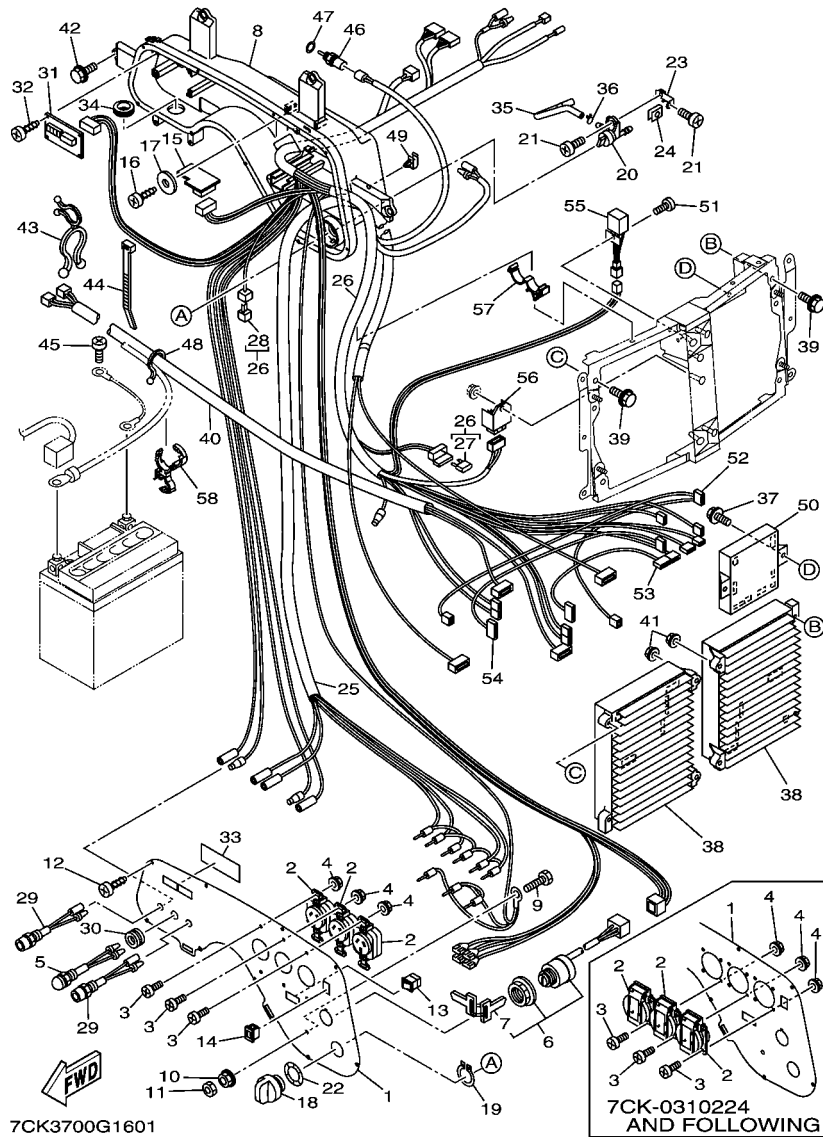


FIG. 16 CONTROL BOX

REF. NO.	PART NO.	DESCRIPTION	7CK3		REMARKS
1	7CK-87249-N0	PLATE	1		<-7CK-0310223
	7CK-87249-N1	PLATE	1		->7CK-0310224
2	73G-87221-90	RECEPTACLE 1 (CRIPSAL 415/15)	3		<-7CK-0310223
	7CK-87221-90	RECEPTACLE 1 (S230E-7-4)	3		->7CK-0310224
3	98507-04012	SCREW, PAN HEAD	6		<-7CK-0310223
	90151-03032	SCREW, COUNTERSUNK	12		->7CK-0310224
4	95707-04500	NUT, FLANGE	6		<-7CK-0310223
	90179-03478	NUT	12		->7CK-0310224
5	7CH-83530-G0	PILOT LIGHT ASSY	1		UR
	7NJ-83530-G0	PILOT LIGHT ASSY	1		UR
6	7XF-82510-00	MAIN SWITCH ASSY	1		
7	7KE-82511-00	.KEY, MAIN SWITCH	2		
8	7XF-87213-00	COVER, CONTROL BOX	1		
9	97080-05016	BOLT	1		
10	95707-05500	NUT, FLANGE	1		
11	95380-05700	NUT	1		
12	97707-40516	SCREW, TAPPING	9		
13	7RH-82550-00	ENGINE STOP SWITCH ASSY	1		ECON. SW.
14	7XF-87281-00	CAP SWITCH	1		
15	7CK-85680-00	SPEED LIMITER ASSY	1		
16	97707-30512	SCREW, TAPPING	1		
17	90201-03013	WASHER, PLATE	1		
18	7WL-24524-00	LEVER, COCK	1		
19	99009-24400	CIRCLIP	1		
20	7WL-24500-00	FUEL COCK ASSY 1	1		
21	98507-05012	SCREW, PAN HEAD	2		
22	90206-26001	WASHER, WAVE	1		



7CK3700G1601

FIG. 16 CONTROL BOX

REF. NO.	PART NO.	DESCRIPTION	7CK3				REMARKS
23	7XF-24544-00	BRACKET, FUEL COCK	1				
24	90183-05076	NUT, SPRING	1				
25	7CK-87226-N0	WIRE HARNESS ASSY	1				
26	7CK-8722J-N0	WIRE, LEAD	1				
27	5JJ-82151-20	.FUSE (20A-BL)	1				
28	3WP-81980-00	.DIODE ASSY	1				
29	7CH-83582-C1	PILOT LIGHT ASSY	2				
30	90480-13012	GROMMET	1				
31	7XF-83500-00	METER ASSY	1				
32	97707-30110	SCREW, TAPPING	4				
33	7XF-87278-10	COVER, METER	1				
34	90480-25482	GROMMET	1				
35	7XF-24312-10	PIPE 2	1				
36	90467-08002	CLIP	1				
37	95827-06016	BOLT, FLANGE	2				
38	7CK-8A210-20	CONTROL UNIT	2				Go To PN : PE0-GE-140003
39	95827-06016	BOLT, FLANGE	4				
40	7CK-87224-11	WIRE, LEAD 2	1				
41	95707-06500	NUT, FLANGE	4				
42	95827-06016	BOLT, FLANGE	4				
43	90464-27138	CLAMP	1				
44	90465-13275	CLAMP	1				
45	98507-08012	SCREW, PAN HEAD	1				
46	1P5-83591-00	THERMO UNIT	1				
47	90201-12172	WASHER, PLATE	1				
48	90464-25267	CLAMP	1				
49	90464-14M55	CLAMP	1				

PARTS NEWS



Date: Mar., 17, 2014

News No.: PE0-GE-140003

Signature: S. Ishibashi

Cause Revision Notice Correction Sales Unit Change Others

Model	EF6300iSE(7CK3)
Subject	PARTS CATALOGUE CORRECTIONS
CATALOGUE NO.	1G7CK-700E1,1G7CK-411E1,1J7CK-400E1,1L7CK-400E1
Time of YPEC Revision	Text, Illustration --> Apl./15/2014 PDF Replace --> Apl./30/2014 (YPEC = Yamaha Parts Electrical Catalogue = Website parts catalogue)

LIST CORRECTION

1G7CK-700E1

FIG. 16 CONTROL BOX SECTION

Fig.No-Ref.No.	OLD P/No.	NEW P/No.	PART NAME	Q'TY	REMARKS
				7CK3	
16-38	7CK-8A210-20	7CK-8A210-21	CONTROL UNIT	2	*Part No. change

*Applicable Engine Serial No.
7CK-0310448 and following

1G7CK-411E1

FIG. 16 CONTROL BOX SECTION

Fig.No-Ref.No.	OLD P/No.	NEW P/No.	PART NAME	Q'TY	REMARKS
				7CK3	
16-40	7CK-8A210-60	7CK-8A210-61	CONTROL UNIT	2	*Part No. change

*Applicable Engine Serial No.
7CK-0320247 and following

1J7CK-400E1

FIG. 16 CONTROL BOX SECTION

Fig.No-Ref.No.	OLD P/No.	NEW P/No.	PART NAME	Q'TY	REMARKS
				7CK3	
16-40	7CK-8A210-20	7CK-8A210-21	CONTROL UNIT	2	*Part No. change

*Applicable Engine Serial No.
7CK-0330450 and following

1L7CK-400E1

FIG. 16 CONTROL BOX SECTION

Fig.No-Ref.No.	OLD P/No.	NEW P/No.	PART NAME	Q'TY	REMARKS
				7CK3	
16-38	7CK-8A210-20	7CK-8A210-21	CONTROL UNIT	2	*Part No. change

*Applicable Engine Serial No.
7CK-0340191 and following

Thank you very much for your cooperation.

Parts
Manager
Check

Service
Manager
Check

Parts
Manager
File

YAMAHA MOTOR CO.,LTD
2500 Shingai Iwata Shizuoka 438-8501.Japan
Technical Publication Dept.



NUMERICAL INDEX

PART NO.	REF. NO.	PART NO.	REF. NO.	PART NO.	REF. NO.	PART NO.	REF. NO.	PART NO.	REF. NO.	PART NO.	REF. NO.
7RH-11603-00	2 - 3	7XF-22855-00	9 - 44	7XF-24110-20	12 - 1	7XF-87139-00	15 - 12	7CU-E4101-31	6 - 1	7CN-H5724-00	13 - 17
7RH-11604-00	2 - 3	7XF-22856-00	9 - 45	7XF-2412A-00	9 - 24	7CK-87150-20	15 - 1	7CP-E4118-00	6 - 9	7CP-H6240-00	6 - 5
7RH-11605-00	2 - 3	7WL-22857-00	9 - 29	7XF-2412E-00	9 - 25	7XF-87160-00	15 - 2	7CU-E414J-50-A0	6 - 28	7CN-H7188-00	5 - 1
7RH-11631-00-A0	2 - 2	7XF-22857-00	11 - 10	7XF-2414G-00	10 - 21	7XF-87172-00	15 - 3	7CU-E4181-00	6 - 12	90149-06263	10 - 24
7RH-11635-00	2 - 2	7XF-22860-00	9 - 3	7CK-24161-40	17 - 1	7XF-87174-01	15 - 8	7CU-E4211-00	6 - 7	90170-05806	3 - 11
7RH-11636-00	2 - 2	7XF-2286A-00	10 - 14	7CF-24162-10	17 - 2	7XF-8719F-00	15 - 7	7CU-E440B-00	1 - 12	90170-08209	7 - 8
7XF-12616-00	4 - 5	7XF-2286B-00	10 - 15	7CK-24164-40	17 - 3	7XF-87213-00	16 - 8	7CT-E4411-10	5 - 6	90170-18391	13 - 9
7RH-1410H-01	6 - 23	7XF-2286E-00	11 - 19	630-24167-00	12 - 8	7CK-8721E-00	9 - 18	7CT-E4412-00	5 - 7		15 - 15
1HX-14143-23	6 - 20	7XF-22873-00	10 - 2	7XF-241A3-00	12 - 2	7CK-8721H-00	9 - 19	7CT-E4429-00	5 - 10	90175-06008	9 - 14
2H0-14147-00	6 - 27	7XF-22874-00	10 - 10	7XF-241A4-00	12 - 3	73G-87221-90	16 - 2	7CT-E4451-00	5 - 9	90183-05004	11 - 20
36Y-14147-00	6 - 21	7XF-22875-00	10 - 18	7XF-241A5-00	12 - 4	7CK-87224-11	16 - 40	7CT-E4468-00	5 - 8	90183-05076	9 - 32
7XF-14148-00	5 - 14	7XF-22876-00	10 - 19	7XF-241A6-00	12 - 5	7CK-87226-N0	16 - 25	7CT-E4477-20	5 - 11		9 - 35
73A-1414G-00	6 - 14	7XF-22877-00	10 - 26	7XF-24311-10	12 - 11	7CK-8722J-N0	16 - 26	7CU-E4527-00	6 - 26		10 - 20
73A-14150-00	6 - 15	7XF-22878-00	11 - 15	7XF-24312-10	16 - 35	7CK-87249-N0	16 - 1	7CT-E4613-01	7 - 9		10 - 29
7EG-14159-00	6 - 17	7XF-22879-00	11 - 16	4SV-24453-00	6 - 6	7XF-87278-10	16 - 33	7CU-E4627-00	7 - 10		11 - 5
7RH-14162-00	6 - 30	7XF-22885-00	11 - 21	7WL-24500-00	16 - 20	7XF-87281-00	16 - 14	7CU-E4637-00	7 - 12		11 - 11
796-14184-00	6 - 11	7XF-22886-00	11 - 22	5BM-24514-00	12 - 15	7CK-8A210-20	16 - 38	7CU-E4708-00	7 - 14		11 - 23
JN6-14185-00	6 - 13	7XF-22887-00	11 - 2	7WL-24524-00	16 - 18	7CK-8A2D0-10	16 - 50	7CU-E4711-00	7 - 1		16 - 24
22F-14186-00	6 - 16		11 - 7	7XF-24544-00	16 - 23	7CT-E1111-00	1 - 1	7CT-E4786-00	7 - 5	90183-060A3	9 - 28
7RH-14191-00	6 - 19	7XF-22888-00	11 - 3	74T-24610-00	12 - 6	7CT-E1166-20	1 - 11	7CT-E4799-10	7 - 2	90201-03013	16 - 17
73A-14212-10	6 - 8		11 - 8	796-24612-00	12 - 7	7CT-E1181-00	1 - 2	7CT-E479E-10	7 - 3	90201-08846	7 - 6
7RH-14216-00	6 - 2	7RH-22891-00	9 - 22	7XF-25167-00	9 - 31	7CU-E1190-00	1 - 7	7CT-E5121-30	8 - 1	90201-10056	9 - 43
78A-14227-00	6 - 29	7XF-22896-00	11 - 4	7XF-25177-00	9 - 34	7CT-E1193-00	1 - 8	7CU-E5123-00	8 - 17	90201-12172	16 - 47
7X9-14239-00	6 - 10		11 - 9	7TA-28100-00	9 - 47	7CT-E1198-00	8 - 9	7CP-E5315-00	8 - 2	90201-18008	13 - 10
7VU-14293-00	6 - 31	7XF-2289G-00	10 - 23	7VW-81960-00	16 - 56	7CT-E1400-70	2 - 1	7CU-E5315-00	8 - 3	90201-186M4	15 - 16
7RH-14486-00	6 - 3	7XF-2289H-00	10 - 6	7RH-81970-00	16 - 55	7CT-E1454-00	2 - 8	7CT-E5362-00	8 - 21	90206-26001	16 - 22
256-14956-01	6 - 22	7XF-2289J-00	11 - 25	3WP-81980-00	16 - 28	7CT-E1633-00	2 - 4	7CU-E5379-00	8 - 4	90269-07076	9 - 26
7WG-1495N-6G	6 - 18	7XF-2289K-00	10 - 7	4SH-82100-22	14 - 15	7CT-E1650-00	2 - 6	7CU-E5411-01	8 - 11		9 - 33
7CK-21548-00	16 - 58		10 - 31	7XF-82115-01	14 - 11	7CT-E1654-00	2 - 7	7CT-E5451-00	8 - 19		9 - 36
7CH-21696-10	17 - 4		11 - 26	7CK-82116-01	14 - 14	7CT-E2111-00	3 - 3	7CU-E5494-10	8 - 15	90280-04801	13 - 11
7WL-21764-00	10 - 22	7XF-2289L-00	10 - 27	7XF-82133-00	9 - 12	7CT-E2117-00	3 - 7	7CU-E5495-01	8 - 16	90338-09161	1 - 15
7XF-2281A-00	10 - 3		11 - 17	7XF-82136-00	9 - 11	7CT-E2118-00	3 - 8	7CU-H1800-00	14 - 1	90338-15004	9 - 37
	10 - 11	7XF-228A0-00	10 - 1	7XF-8213A-00	9 - 13	7CT-E2119-00	3 - 14	7CU-H1812-00	14 - 3	90340-12097	8 - 8
7XF-2281E-00	10 - 12	7CK-228B0-00	10 - 9	5JJ-82151-20	16 - 27	7CT-E2121-00	3 - 4	7CU-H1813-00	14 - 4	90445-08M01	1 - 14
7XF-2281K-00	10 - 28	7XF-228C0-00	10 - 17	7CK-82318-10	16 - 53	7CT-E2151-00	3 - 9	7CU-H1826-00	14 - 2	90460-38241	7 - 4
	11 - 18	7CK-228D0-01	10 - 25	7CK-82319-10	16 - 54	7CT-E2153-00	3 - 5	7CU-H1833-00	14 - 7	90462-05061	1 - 9
7XF-2281L-00	10 - 4	7XF-228E0-01	11 - 14	7XF-82510-00	16 - 6	JW1-E2154-00	3 - 13	7CU-H1834-00	14 - 8	90462-06232	13 - 6
7XF-2281M-00	10 - 30	7XF-228F0-00	11 - 1	7KE-82511-00	16 - 7	7CT-E2156-00	3 - 12	7CU-H1835-00	14 - 9	90464-14M55	16 - 49
	11 - 24	7XF-228G0-00	11 - 6	7RH-82550-00	16 - 13	7CT-E2159-00	3 - 10	7CU-H1840-00	14 - 5	90464-20010	16 - 57
7XF-22822-00	9 - 4	7XF-228H0-00	9 - 27	7XF-83500-00	16 - 31	7CT-E2170-00	3 - 1	7CU-H1870-00	14 - 6	90464-25267	16 - 48
7XF-22823-00	9 - 5	7CG-23119-00	9 - 46	7CH-83530-G0	16 - 5	7CT-E2287-00	3 - 2	7CN-H2370-00	13 - 12	90464-27138	16 - 43
7XF-22824-00	9 - 6		10 - 8	7NJ-83530-G0	16 - 5	7CT-E2621-10	4 - 1	7CP-H2372-00	13 - 13	90465-08021	15 - 17
7XF-2282E-00	9 - 8		10 - 16	7CH-83582-C1	16 - 29	7CU-E2627-00	4 - 2	7CP-H2373-00	13 - 14	90465-13275	16 - 44
7XF-22830-00	9 - 9		10 - 34	1P5-83591-00	16 - 46	7CT-E2651-00	4 - 4	7CU-H246K-00	13 - 5	90467-08002	16 - 36
7CK-22831-00	9 - 15		11 - 13	7CK-8533A-10	16 - 52	7CT-E3557-00	5 - 4	7CU-H5521-20	13 - 3	90467-09103	12 - 12
7CK-22832-00	9 - 16		11 - 29	7CK-85680-00	16 - 15	7CT-E3567-10	5 - 5	7CU-H5640-00	13 - 2	90467-10008	12 - 13
7XF-22840-00	9 - 1	7XF-23743-00	9 - 40	7XF-85710-00	12 - 9	7CU-E3593-10	5 - 3	7CU-H5650-00	13 - 1	90467-11106	12 - 14
7XF-22850-00	9 - 2	7CH-23781-C0	9 - 39	7XF-87127-00	15 - 9	7CT-E3596-00	5 - 2	7CT-H5720-00	13 - 15	90468-04001	10 - 5

NUMERICAL INDEX

PART NO.	REF. NO.	PART NO.	REF. NO.	PART NO.	REF. NO.	PART NO.	REF. NO.	PART NO.	REF. NO.	PART NO.	REF. NO.
90468-04001	10 - 13	95827-06012	13 - 16								
90480-13012	16 - 30	95827-06016	9 - 38								
90480-25482	16 - 34		11 - 12								
90501-264A9	3 - 6		16 - 37								
92902-08100	14 - 12		16 - 39								
92907-05600	10 - 33		16 - 42								
	11 - 28	95827-06030	1 - 10								
92990-05100	6 - 25	95827-08016	7 - 7								
93102-35802	8 - 6	95827-08065	15 - 5								
	8 - 13	95880-06030	13 - 4								
93210-22805	8 - 22	97027-10016	9 - 42								
93306-207Y0	8 - 12	97080-05016	16 - 9								
93306-252X4	8 - 7	97707-30110	16 - 32								
	8 - 14	97707-30512	16 - 16								
93306-307Y1	8 - 5	97707-40516	16 - 12								
93450-21833	2 - 5	98502-03006	6 - 4								
94702-00819	1 - 6	98507-04012	16 - 3								
95027-08030	9 - 41	98507-05008	6 - 24								
95302-08600	14 - 13	98507-05012	16 - 21								
95380-05700	16 - 11	98507-05016	10 - 32								
95607-08700	1 - 13		11 - 27								
95627-08618	1 - 5	98507-06012	16 - 51								
95707-04500	16 - 4	98507-08012	16 - 45								
95707-05500	16 - 10	98707-06016	8 - 18								
95707-06500	9 - 20	98907-06012	4 - 6								
	15 - 14	99009-24400	16 - 19								
	16 - 41	99530-08016	8 - 10								
95707-08500	5 - 12		15 - 11								
95707-10500	9 - 23	99530-10114	15 - 6								
95807-06010	15 - 13	99530-14016	1 - 4								
95807-06012	4 - 3										
	13 - 7										
95807-06016	5 - 13										
	7 - 15										
	15 - 4										
95807-06025	7 - 13										
	13 - 8										
95807-06035	15 - 10										
95807-08012	9 - 10										
95807-08025	14 - 10										
95807-08030	7 - 11										
95817-08045	8 - 20										
95817-10070	1 - 3										
95827-06012	9 - 7										
	9 - 17										
	9 - 21										
	9 - 30										
	12 - 10										