



# PARTS CATALOGUE

**EDL21000E** (Q9CF) OTH, CHN  
**EDL21000DE** (Q9CF) CSA



1F9CF-600E1

( )

2009-1-26

NEWS NO.	DATE	COMMENT
PE0-GE-080005	JAN.,26,2009	EDL21000E/DE(Q9CF) PARTS CATALOGUE CORRECTIONS

EDL21000E/DE  
PARTS CATALOGUE  
©2007 by Yamaha Motor Co., Ltd.  
1st edition, March 2007  
All rights reserved.  
Any reprinting or unauthorized use  
without the written permission of  
Yamaha Motor Co., Ltd.  
is expressly prohibited.  
Printed in Japan.

# FOREWORD

This Parts Catalogue is related to the parts for the model(s) on the cover page. When you are ordering replacement parts, please refer to this Parts Catalogue and quote both part numbers and part names correctly.

1. Modifications or additions which have been made after the issue of the Parts Catalogue will be announced in the Parts News.

It is advisable that you make the necessary corrections to the Parts Catalogue according to the Parts News.

2. Abbreviations

The following abbreviations are used in this Parts Catalogue.

“UR” Use specified parts number.

“UN” Use as many as needed.

“AP” Alternate Parts

“LM” Locally Made (Parts need to be ordered locally)

“F#” Frame No. (Applicable machine No.)

“O/S” Over Size

3. The number of components for assembly

- Parts, which are to be supplied in an assembly, are listed with a dot (.) in front of the part name as shown below.
- The numeral appearing to the right of each component part indicates the quantity of parts for each assembly unit.

PART NO.	DESCRIPTION	Q'TY	REMARKS
2F5-83310-60	FRONT FLASHER LIGHT ASSY	2	
115-83311-60	.BULB (6V-18W)	1	

4. Applicable colours of graphics are represented in the “REMARKS” as shown below.

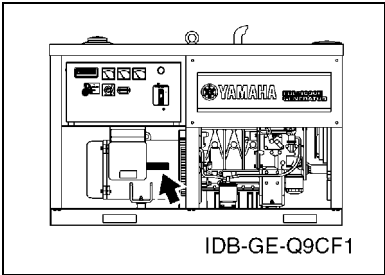
PART NO.	DESCRIPTION	Q'TY	REMARKS
2N4-24110-00-X5	FUEL TANK COMP.	2	MXR
3J1-24240-10	.GRAPHIC, FUEL TANK	1	FOR MXR

5. Note that the illustrations for reference in finding parts numbers are not to be used for assembling. When assembling, please use the applicable service manual.

6. The asterisk (\*) before a reference number indicates modified items after the first edition.

# FOREWORD

7. Applicable Serial No.  
 Frame Serial No.



8. Applicable Colour Code (The (\*) mark shows Model colour.)

Abbreviation	Colour Name	Colour Code

9. Applicable Starting Serial No.  
 \*\*\*\*\*Serial NO.

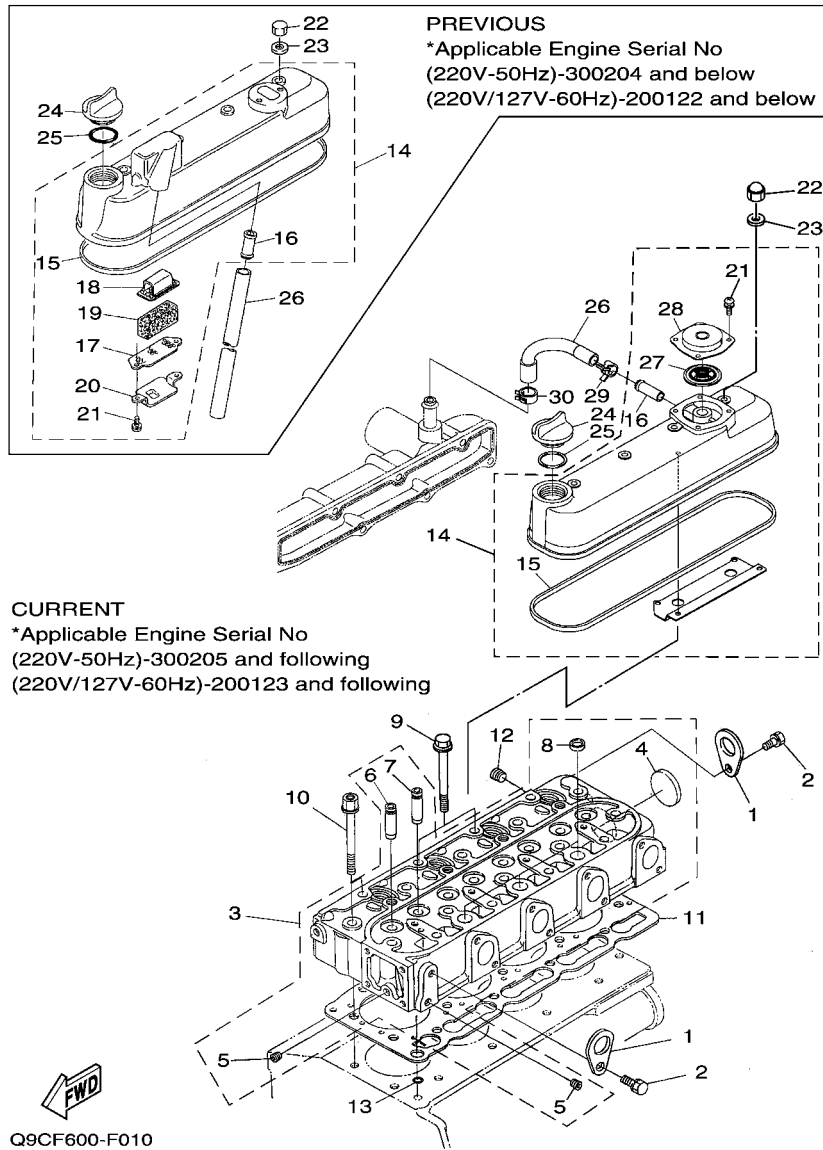
Model	Model Code	Destination	Voltage	Serial NO.
EDL21000E	Q9CF	OTH,CHN	220V-50Hz	Q9CF-300101
EDL21000DE	Q9CF	CSA	120V/240V-60Hz	Q9CF-200101

# CONTENTS

CYLINDER HEAD .....	1
CYLINDER BLOCK .....	3
PISTON & CRANKSHAFT .....	4
VALVE SYSTEM .....	6
GOVERNOR .....	8
TIMING GEAR CASE .....	10
LUBRICATION 1 .....	12
COOLING SYSTEM .....	13
RADIATOR & HOSE .....	14
RESERVE TANK .....	15
INJECTION PUMP .....	16
INJECTION NOZZLE .....	18
FUEL SYSTEM 2 .....	20
AIR CLEANER .....	21
INTAKE .....	22
EXHAUST 1 .....	23
CONTROL UNIT .....	24
GENERATOR .....	26
STARTING MOTOR .....	28
ELECTRICAL .....	29
ALTERNATE 1 .....	30
GENERATOR 1 .....	31
ENGINE MOUNT .....	32
FRAME .....	33
COVER .....	34
PANEL & COVER .....	35
FUEL TANK .....	36
FRAME 2 .....	37
FRAME 3 .....	38
LABEL .....	39
ELECTRICAL 2 .....	40
ELECTRICAL 3 .....	41
ELECTRICAL 4 .....	42
ELECTRICAL 5 .....	44

## INDEX

NUMERICAL INDEX .....	46
-----------------------	----

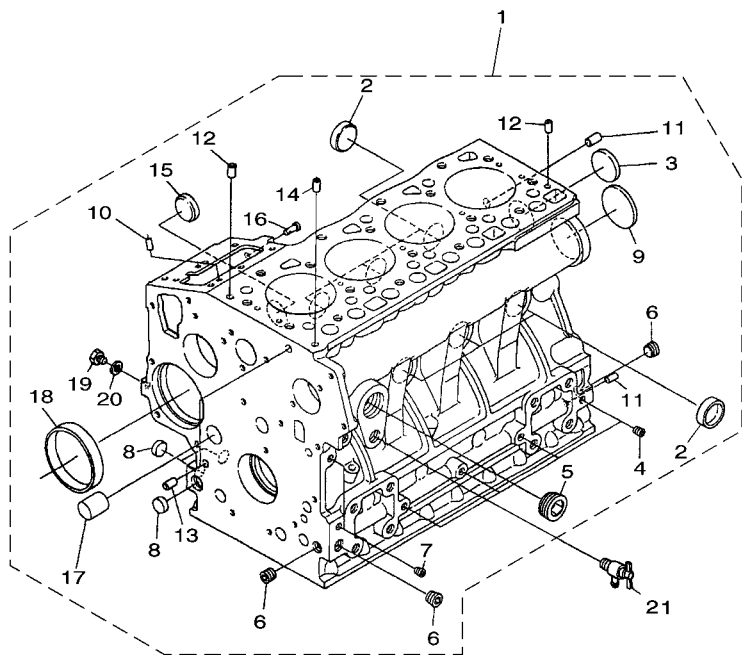


**FIG. 1 CYLINDER HEAD**

REF. NO.	PART NO.	DESCRIPTION	Q9CF				REMARKS
1	YF1-52210-17-50	HOOK,ENGINE	2				
2	YF0-11236-08-14	BOLT	2				
3	YF1-60500-30-40	CYLINDER HEAD COMP.	1				PREVIOUS
	YF1-G0740-30-43	CYLINDER HEAD COMP.	1				CURRENT
4	YF1-53219-62-60	.PLUG,EXPANSION	1				
5	YF1-52619-60-10	.PLUG	2				
6	YF1-62611-35-41	.INLET VALVE GUIDE	4				
7	YF1-62611-35-61	.EXHAUST VALVE GUIDE	4				
8	YF1-52610-33-70	.PLUG,EXPANSION	3				
9	YF1-62410-34-50	HEAD BOLT	16				
10	YF1-62710-34-50	HEAD BOLT	2				
11	YF1-G0780-33-11	HEAD GASKET	1				
12	YF1-58419-60-20	PLUG	1				
13	YF1-52213-37	O-RING	1				
14	YF1-62411-45-04	HEAD COVER ASSY	1				PREVIOUS
	YF1-G0721-45-06	HEAD COVER ASSY	1				CURRENT
15	YF1-62411-45-20	.PACKING(HEAD COVER)NA	1				PREVIOUS
	YF1-62411-45-23	.GASKET,HEAD COVER	1				CURRENT
16	YF1-62410-55-50	.BREATHER PIPE FRANGE	1				PREVIOUS
	YF1-73317-33-42	.PIPE,WATER RETURN	1				CURRENT
17	YF1-62410-51-40	.BREATHER ELEMENT PLATE 1	1				PREVIOUS
18	YF1-62410-51-50	.BREATHER ELEMENT PLATE 2	1				PREVIOUS
19	YF1-62410-56-70	.BREATHER ELEMENT	1				PREVIOUS
20	YF1-62410-53-70	.BREATHER OIL SHIELD	1				PREVIOUS
21	YF0-30245-05-10	.SCREW,WITH WASHER	4				CURRENT
22	YF1-59529-23-30	NUT,CROWN	4				
23	YF1-59519-66-60	PACKINNG	4				



**FIG. 2 CYLINDER BLOCK**

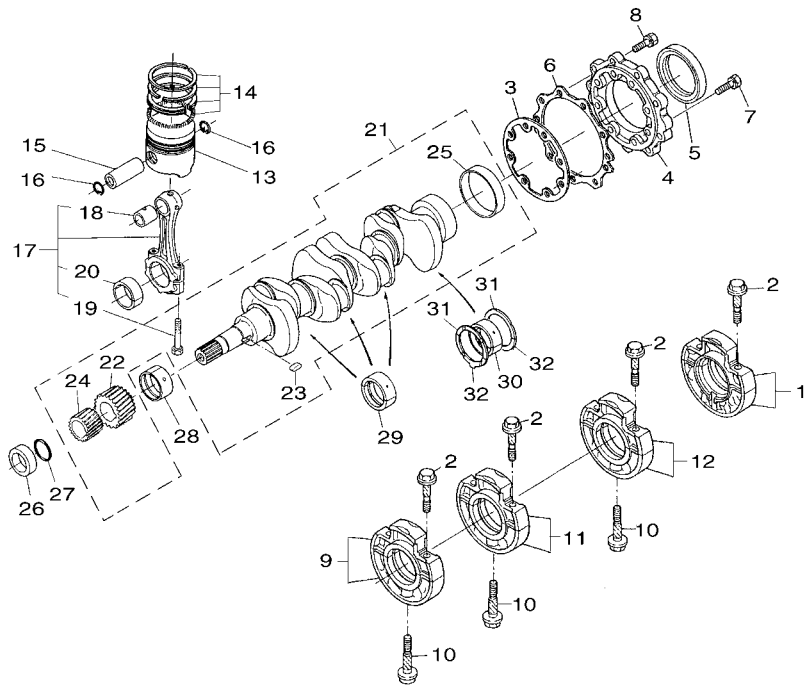


**CURRENT**  
 \*Applicable Engine Serial No  
 (220V-50Hz)-300205 and following  
 (220V/127V-60Hz)-200123 and following

  
 Q9CF600-F021

REF. NO.	PART NO.	DESCRIPTION	Q9CF				REMARKS
1	YF1-E0230-10-17	CRANKCASE COMP	1				PREVIOUS
	YF1-G6960-10-12	CRANKCASE COMP.	1				CURRENT
2	YF1-54519-62-70	.PLUG,EXPANSION	6				
3	YF1-52210-34-90	.PLUG,EXPANSION	1				
4	YF1-52619-60-10	.PLUG	4				
5	YF1-66839-60-20	.PLUG(P.T1)	1				
6	YF1-62419-60-10	.PLUG	3				
7	YF1-55219-60-20	.PLUG	2				
8	YF1-73919-61-60	.PLUG	3				
9	YF1-62719-61-60	.PLUG	1				
10	YF0-50120-05-08	.PIN	2				
11	YF0-50120-08-14	.PIN	2				
12	YF0-50120-06-10	.PIN,STRIGHT(6-10)	2				
13	YF1-52313-39-60	.PIN,PIPE	2				
14	YF1-62413-36-50	.PIN,PIPE	1				
15	YF1-62419-62-62	.PLUG(FUEL CAMSHAFT)	1				
16	YF1-62215-62-80	.PIN(START SPRING)	1				
17	YF1-62829-60-10	.PLUG	1				
18	YF1-62715-53-50	.GOVERNOR GEAR BUSH	1				
19	YF1-52213-36-10	.PLUG	1				
20	YF1-50213-36-60	.PACKING	1				
21	YF1-58417-30-20	DRAIN COCK ASSY	1				

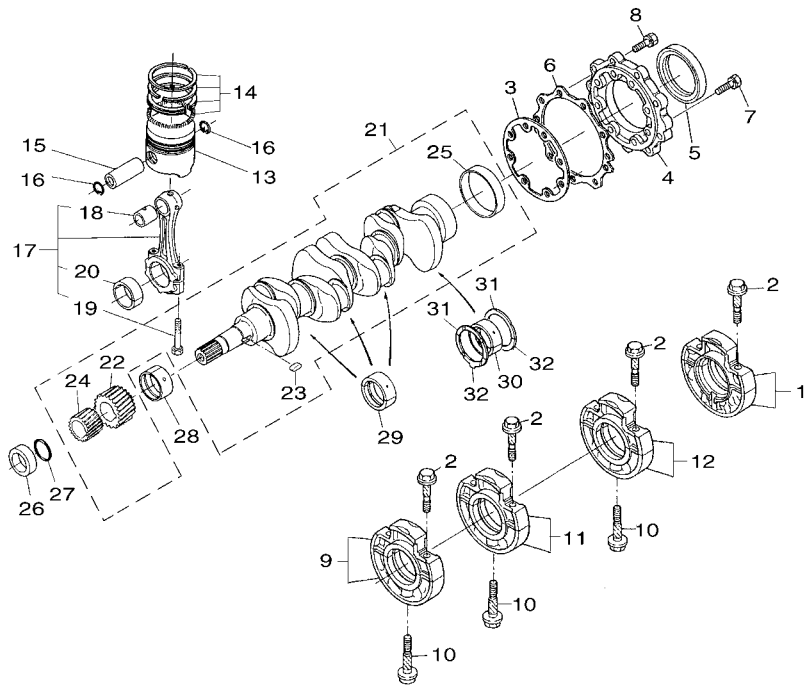




  
 Q9CF600-F030

**FIG. 3 PISTON & CRANKSHAFT**

REF. NO.	PART NO.	DESCRIPTION	Q9CF				REMARKS
1	YF1-62410-40-92	MAIN BEARING CASE ASSY. WHEEL	1				
2	YF1-62410-45-40	BEARING CASE BOLT 1	8				
3	YF1-62640-43-60	GASKET(BRG.CASE NA)	1				
4	YF1-62410-48-13	COVER(BEARING CASE)	1				
5	YF1-62850-44-61	OIL SEAL	1				
6	YF1-62640-48-20	GASKET(CASE COVER NA)	1				
7	YF0-10235-06-25	BOLT	8				
8	YF0-10235-06-20	BOLT	9				
9	YF1-62610-40-40	MAIN BEARING CASE ASSY. 1	1				
10	YF1-62410-45-60	BEARING CASE BOLT 2	3				
11	YF1-62610-40-50	MAIN BEARING CASE ASSY. 2	1				
12	YF1-62820-40-60	MAIN BEARING CASE ASSY. 3	1				
13	YF1-60502-11-10	PISTON	4				AP
	YF1-60502-19-10	PISTON 05	4				
14	YF1-62712-10-50	PISTON RING ASSY.	4				
	YF1-62712-10-90	PISTON RING ASSY. 05	4				AP
15	YF1-62412-13-10	PISTON PIN	4				
16	YF1-62412-13-30	CIRCLIP,PISTON PIN	8				
17	YF1-G7002-20-12	CONNECTING ROD ASSY	4				
18	YF1-G7002-19-81	.PISTON PIN BUSH	4				
19	YF1-62412-21-40	.ROD BOLT	8				
20	YF1-62412-23-10	.CRANK PIN METAL	4				
	YF1-62412-29-70	.CRANK PIN METAL 02	4				AP
	YF1-62412-29-80	.CRANK PIN METAL 04	4				AP
21	YF1-62412-30-14	CRANKSHAFT COMP.	1				
22	YF1-62412-41-10	.CRANK GEAR	1				
23	YF1-62719-52-30	.KEY	1				



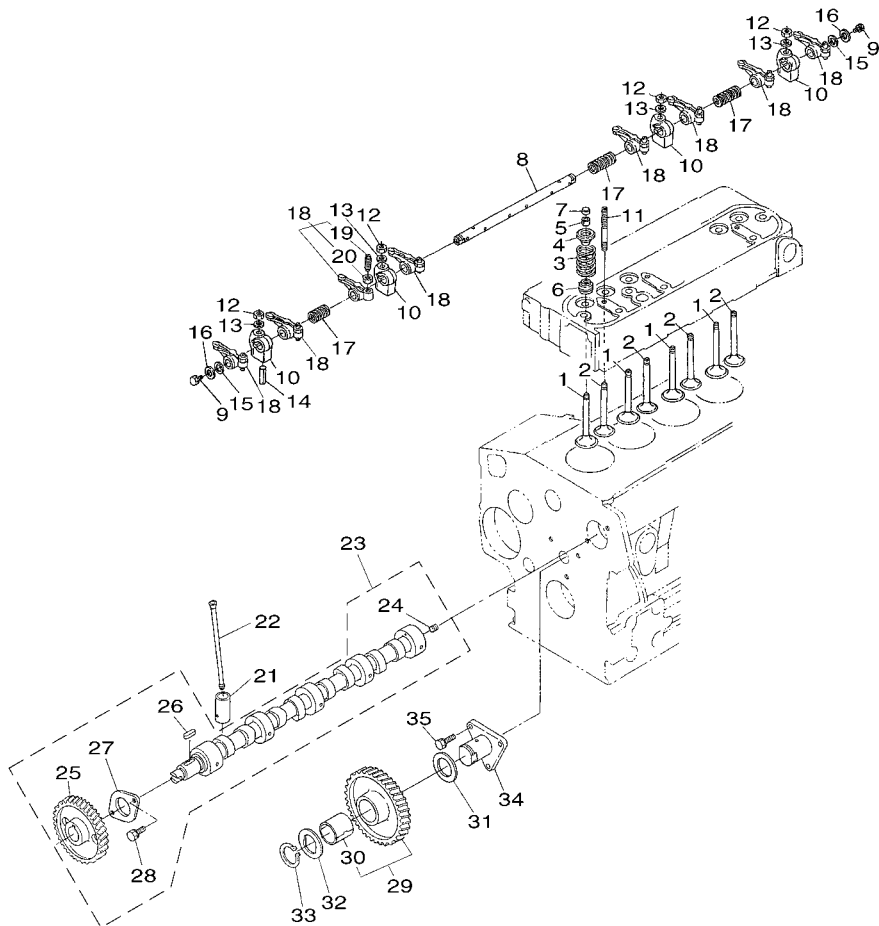
  
 Q9CF600-F030

**FIG. 3 PISTON & CRANKSHAFT**

REF. NO.	PART NO.	DESCRIPTION	Q9CF				REMARKS
24	YF1-62413-56-30	.OIL PUMP DRIVE GEAR	1				
25	YF1-62412-32-80	.SLEEVE,CRANK SHAFT	1				
26	YF1-62412-32-50	COLLAR,CRANK SHAFT	1				
27	YF0-48141-02-80	O-RING	1				
28	YF1-62412-34-70	CRANK SHAFT METAL 1	1				
	YF1-62412-39-10	CRANK SHAFT METAL 1 02	1				AP
	YF1-62412-39-20	CRANK SHAFT METAL 1 04	1				AP
29	YF1-62412-34-80	CRANK SHAFT METAL 2	3				
	YF1-62412-39-30	CRANK SHAFT METAL 2 02	3				AP
	YF1-62412-39-40	CRANK SHAFT METAL 2 04	3				AP
30	YF1-62922-34-90	CRANK SHAFT METAL 3	1				
	YF1-62922-38-60	CRANK SHAFT METAL 3 02	1				AP
	YF1-62922-38-70	CRANK SHAFT METAL 3 04	1				AP
31	YF1-55212-35-30	SIDE METAL 1	2				
	YF1-55212-39-50	SIDE METAL 1 02	2				AP
	YF1-55212-39-60	SIDE METAL 1 04	2				AP
32	YF1-92022-35-40	SIDE METAL 2	2				
	YF1-92022-39-70	SIDE METAL 2 02	2				AP
	YF1-92022-39-80	SIDE METAL 2 04	2				AP

**FIG. 4 VALVE SYSTEM**

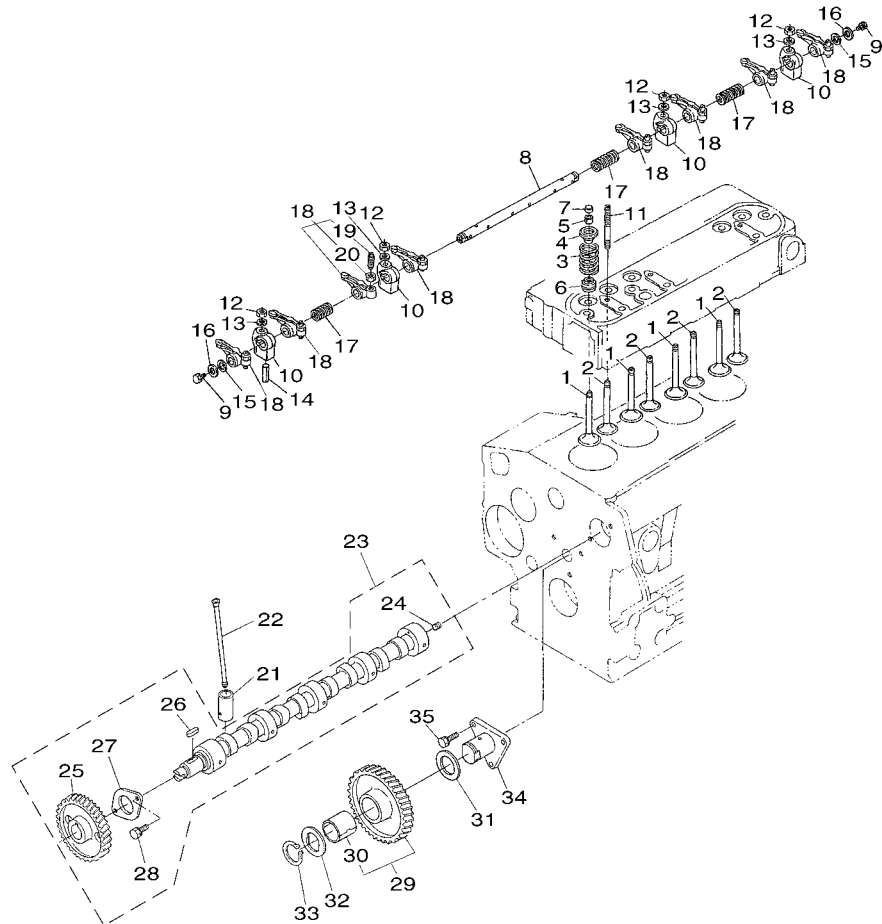
REF. NO.	PART NO.	DESCRIPTION	Q9CF				REMARKS
1	YF1-62411-31-10	INLET VALVE	4				
2	YF1-62991-31-20	EXHAUST VALVE	4				
3	YF1-62711-32-40	VALVE SPRING	8				
4	YF1-62611-33-31	RETAINER, VALVE SPR.	8				
5	YF1-52611-33-60	COLLET, VALVE SP.(EDL6500)	8				
6	YF1-C0101-31-50	SEAL (VALVE STEM)	8				
7	YF1-62411-32-80	CAP (EDL6500)	8				
8	YF1-62411-42-64	SHAFT,ROCKER ARM	1				
9	YF0-10235-06-10	BOLT	2				
10	YF1-62411-43-50	BRACKET,ROCKER ARM	4				
11	YF1-62411-44-10	STUD	4				
12	YF1-52619-20-10	NUT (EDL6500)	4				
13	YF1-52619-40-10	WASHER, PLAIN (EDL6500)	4				
14	YF0-54110-04-28	SPRING PIN	1				
15	YF1-62411-44-30	WASHER,ROCKER ARM 1	2				
16	YF1-58419-40-22	WASHER,PLATE	2				
17	YF1-62411-43-10	SPRING,ROCKER ARM	3				
18	YF1-62411-40-32	ROCKER ARM ASSY	8				
19	YF1-62411-42-30	.ADJUSTING SCREW	8				
20	YF1-62411-42-40	.NUT	8				
21	YF1-G6731-55-51	TAPPET	8				
22	YF1-62411-51-10	PUSH ROD	8				
23	YF1-62711-60-10	CAMSHAFT ASSY	1				
24	YF1-55219-36-10	.SCREW,SET	1				
25	YF1-62411-65-10	.CAM GEAR	1				
26	YF0-57120-05-18	.KEY	1				
27	YF1-62411-62-70	.STOPPER,CAMSHAFT	1				



**FWD**  
Q9C3600-A040

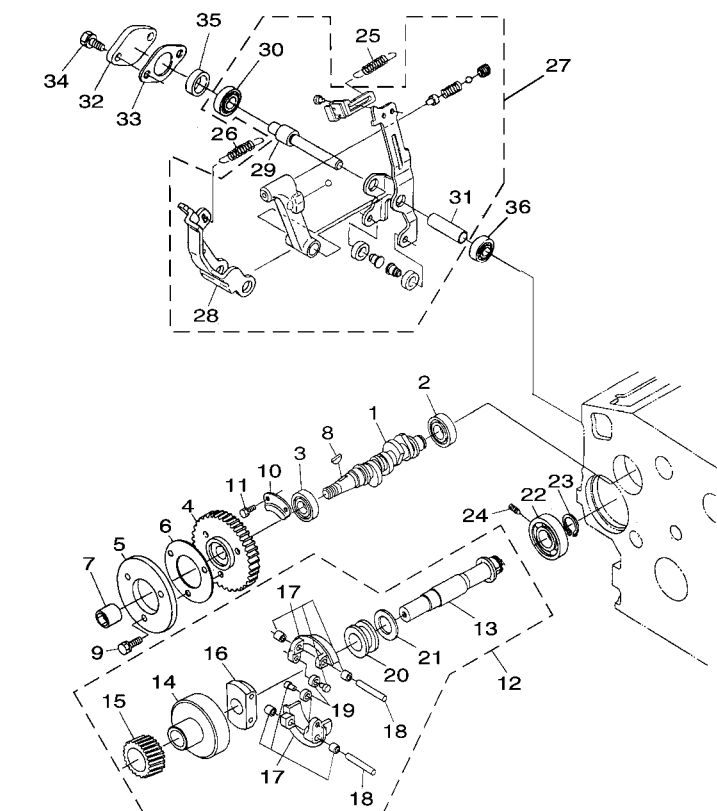
FIG. 4 VALVE SYSTEM

REF. NO.	PART NO.	DESCRIPTION	Q9CF				REMARKS
28	YF0-10235-06-16	.BOLT	2				
29	YF1-62712-40-10	IDLE GEAR COMP. 1	1				
30	YF1-62712-49-80	.IDLE GEAR BUSH 03	1				
31	YF1-62412-43-60	IDLE GEAR COLLAR 1	1				
32	YF1-62412-43-70	IDLE GEAR COLLAR 2	1				
33	YF1-62412-43-20	CIRCLIP, IDLE GEAR	1				
34	YF1-62412-42-50	IDLE GEAR SHAFT 1	1				
35	YF0-10235-06-16	BOLT	3				



Q9C3600-A040

**FIG. 5 GOVERNOR**

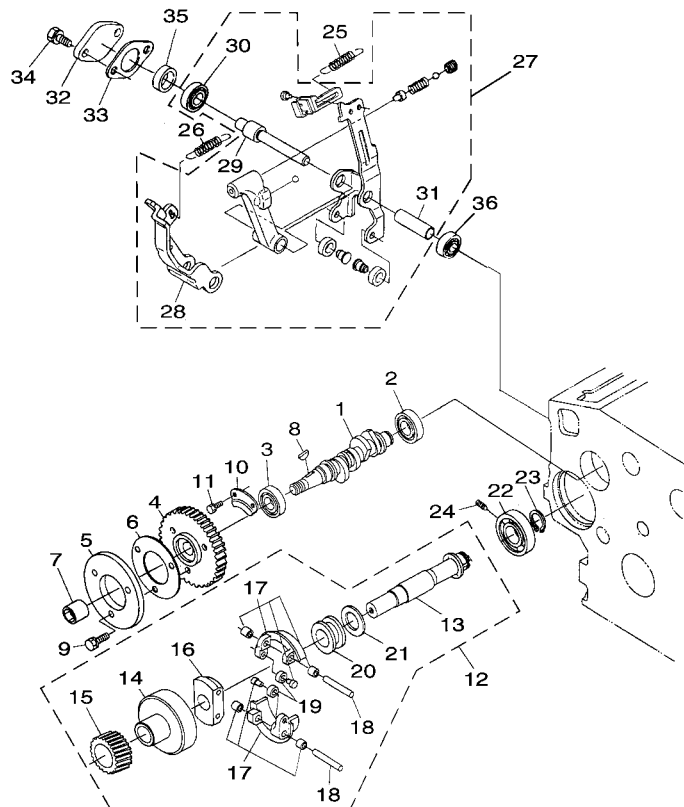


**FWD**  
Q9CF600-F051

**CURRENT**  
\*Applicable Engine Serial No  
(220V-50Hz)-300205 and following  
(220V/127V-60Hz)-200123 and following

REF. NO.	PART NO.	DESCRIPTION	Q9CF				REMARKS
1	YF1-60401-61-70	CAMSHAFT(FUEL)	1				
2	YF1-62619-73-01	BALL BEARING	1				
3	YF1-62619-73-11	BEARING	1				
4	YF1-75385-11-50	INJECTION PUMP GEAR	1				PREVIOUS
	YF1-62725-11-51	INJECTION PUMP GEAR	1				CURRENT
5	YF1-62415-11-13	CAM(FUEL)	1				
6	YF1-62415-11-90	WASHER	1				
7	YF1-62419-23-30	NUT,CROWN	1				
8	YF1-62419-52-30	KEY,WOODRUF	1				
9	YF0-10235-06-18	BOLT	3				
10	YF1-62411-63-20	STOPPER,FUEL CAMSHAFT	1				
11	YF0-10235-06-16	BOLT	2				
12	YF1-62825-50-13	SHAFT ASSY.(GOVERNOR)	1				
13	YF1-62715-53-13	.GOVERNOR SHAFT	1				
14	YF1-62415-53-92	.HOLDER(GOVERNOR)	1				
15	YF1-62825-53-20	.GOVERNOR GEAR	1				
16	YF1-62415-52-70	.GOVERNOR WEIGHT HOLDER	1				
17	YF1-62415-50-62	.WEIGHT COMP.(GOVERNOR)	2				
18	YF1-62415-52-60	.GOVERNOR WEIGHT SHAFT	2				
19	YF1-94845-54-40	.ROLLER	2				
20	YF1-62415-54-50	.GOVERNOR SLEEVE	1				
21	YF1-62415-54-63	.WASHER,THRUST	1				
22	YF1-62619-73-21	BALL BEARING	1				
23	YF1-62715-54-10	CIRCLIP,GOVERNOR SHAFT	1				
24	YF1-62415-55-54	SCREW,STOPPER	1				
25	YF1-62855-64-80	START SPRING	1				
26	YF1-62855-64-12	SPRING(1,GOVERNOR)	1				

**FIG. 5 GOVERNOR**

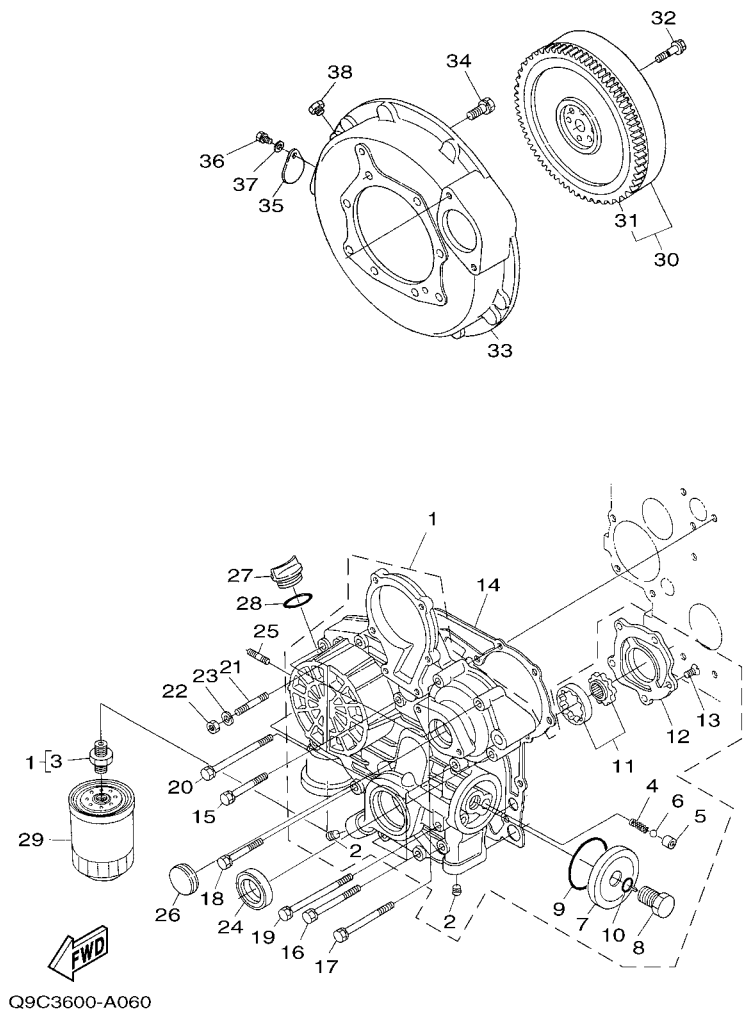


Q9CF600-F051  


**CURRENT**  
 \*Applicable Engine Serial No  
 (220V-50Hz)-300205 and following  
 (220V/127V-60Hz)-200123 and following

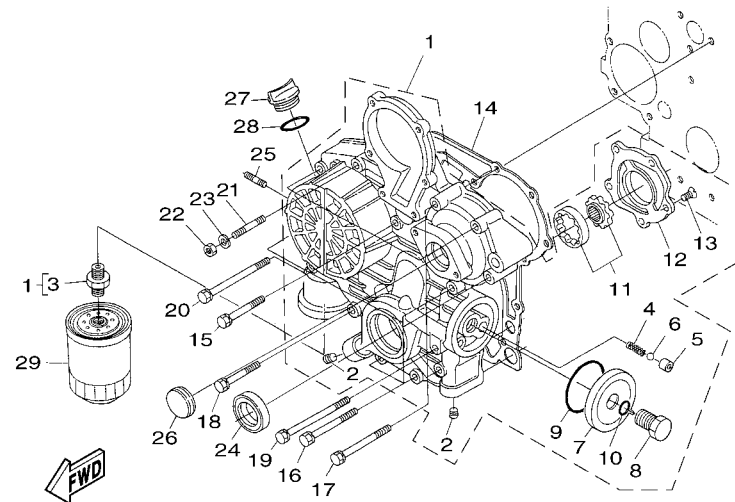
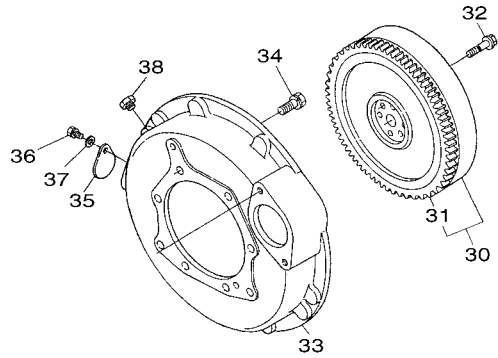
REF. NO.	PART NO.	DESCRIPTION	Q9CF				REMARKS
27	YF1-60515-60-13	LEVER ASSY.(FORK)	1				
28	YF1-G0325-61-31	.LEVER (FORK2)	1				
29	YF1-G0325-64-71	.FORK LEVER SHAFT(2)	1				
30	YF1-62415-63-30	.MINIATURE BEARING 699	1				
31	YF1-G0325-61-51	.FORK LEVER SHAFT(1)	1				
32	YF1-62415-62-50	FORK LEVER SHAFT COVER	1				
33	YF1-62995-62-60	PACKING NA	1				
34	YF0-10235-06-14	BOLT	2				
35	YF1-62415-62-10	COLLAR 1	1				
36	YF1-62415-63-40	MINIATURE BEARING 698	1				

**FIG. 6 TIMING GEAR CASE**



REF. NO.	PART NO.	DESCRIPTION	Q9CF				REMARKS
1	YF1-62390-40-22	GEAR CASE COMP	1				
2	YF1-62619-60-21	.PLUG	5				
3	YF1-52413-22-90	.NIPPLE	1				
4	YF1-62413-69-50	.SPRING	1				
5	YF1-62413-69-30	.VALVE SHEET	1				
6	YF0-77150-02-01	.BALL	1				
7	YF1-62593-28-82	.COVER	1				
8	YF1-62593-29-02	.BOLT	1				
9	YF0-48145-06	.O-RING	1				
10	YF0-48140-01-50	.O-RING	1				
11	YF1-62413-50-70	.OIL PUMP ROTOR ASSY.	1				
12	YF1-62593-51-32	.OIL PUMP COVER	1				
13	YF1-62419-31-20	.SCREW,PANHEAD	5				
14	YF1-62640-41-30	GASKET(GEAR CASE,NA)	1				
15	YF0-10235-06-45	BOLT	3				
16	YF0-10236-06-50	BOLT,WITH WASHER	4				
17	YF0-10235-06-55	BOLT	2				
18	YF1-58419-10-40	BOLT	1				
19	YF1-62419-10-40	BOLT(M6X68)	2				
20	YF1-62599-10-40	BOLT(M6X82)	1				
21	YF1-62459-15-30	STUD	1				
22	YF0-20565-00-60	NUT	1				
23	YF0-45126-00-60	WASHER,SPRING	1				
24	YF1-62590-42-10	OIL SEAL	1				
25	YF1-62459-15-40	STUD	2				
26	YF1-62648-33-42	COVER(HOUR METER GEAR GASE)	1				
27	YFE-91513-31-40	PLUG(FUEL FEED)	1				

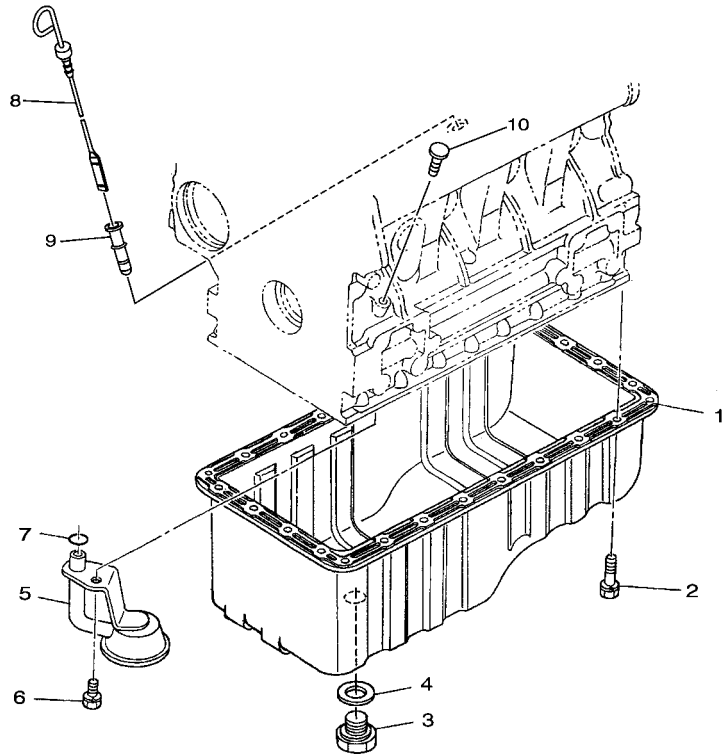
FIG. 6 TIMING GEAR CASE



Q9C3600-A060

REF. NO.	PART NO.	DESCRIPTION	Q9CF				REMARKS
28	YF0-48145-03	O-RING	1				
29	YF1-62713-20-92	FILTER ASSY.(OIL CARTRIDGE)	1				
30	YF1-K5522-50-10	FLY WHEEL COMP.	1				
31	YF1-62616-38-22	.GEAR(RING)	1				
32	YF1-62412-51-60	FLY WHEEL BOLT	6				
33	YF1-72150-46-10	FLY WHEEL HOUSING	1				
34	YF1-52619-11-90	BOLT	8				
35	YF3-12201-41-70	COVER	1				
36	YF0-11236-08-14	BOLT	1				
37	YF0-40136-00-80	WASHER,PLATE	1				
38	YF3-66022-32-40	PLUG(M18X1.5)	1				





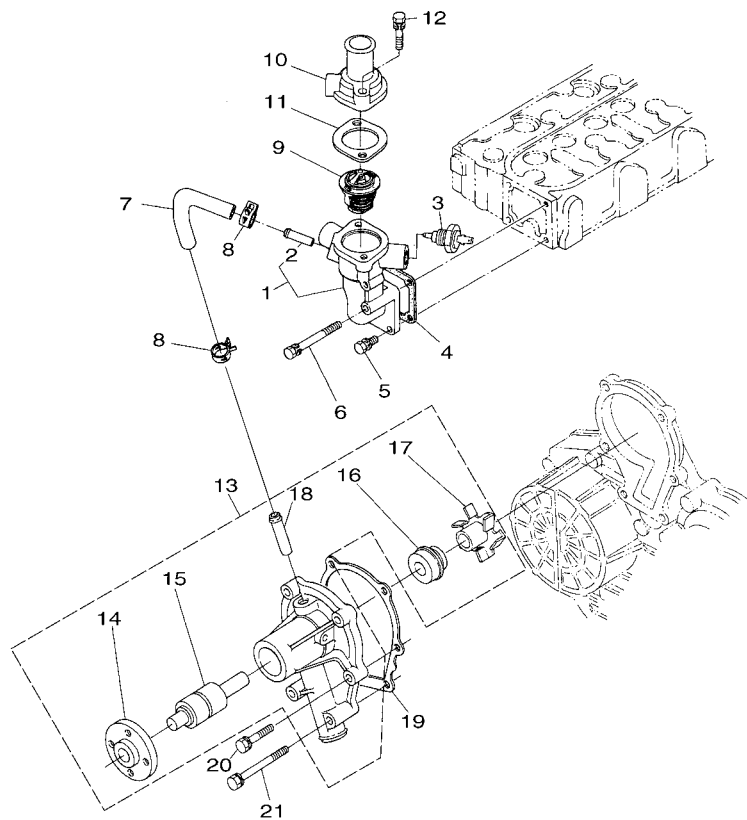
CURRENT  
 \*Applicable Engine Serial No  
 (220V-50Hz)-300205 and following  
 (220V/127V-60Hz)-200123 and following

  
 Q9CF600-F070

FIG. 7 LUBRICATION 1

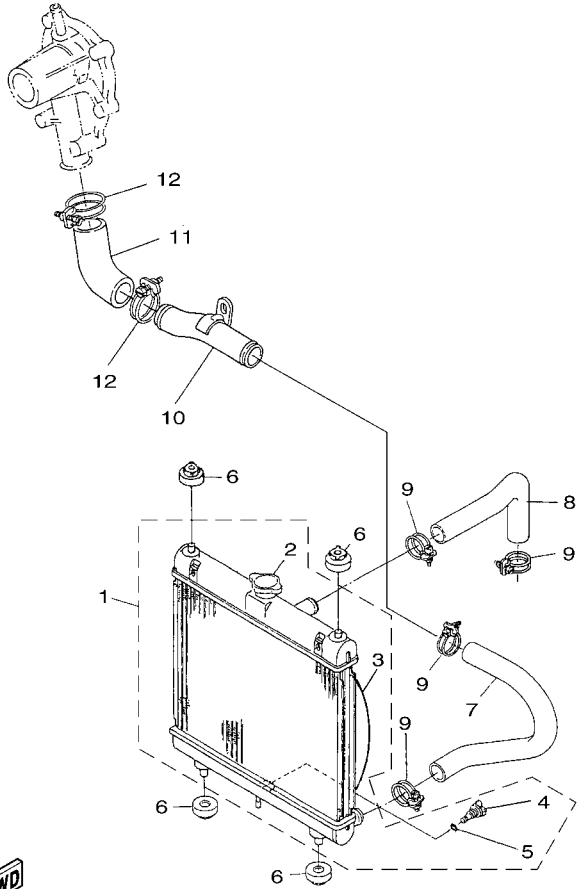
REF. NO.	PART NO.	DESCRIPTION	Q9CF				REMARKS
1	YF1-62850-15	OIL PAN COMP.	1				
2	YF1-62219-11-22	BOLT	26				
3	YF1-62863-37-50	PLUG(DRAIN)	1				
4	YF1-62659-66-71	PACKING	1				
5	YF1-62263-21-10	FILTER(1,OIL)	1				
6	YF0-11235-08-16	BOLT	1				
7	YF0-48140-01-60	O-RING	1				
8	YF1-74563-64-10	GAUGE	1				
9	YF1-74563-64-20	GUIDE(OIL GAUGE)	1				
10	YF1-G5133-65-50	PLUG,OIL GAUGE	1				CURRENT

**FIG. 8 COOLING SYSTEM**



Q9C2600-A080

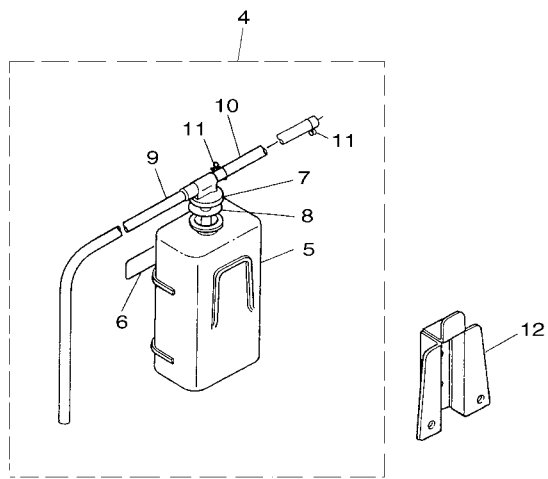
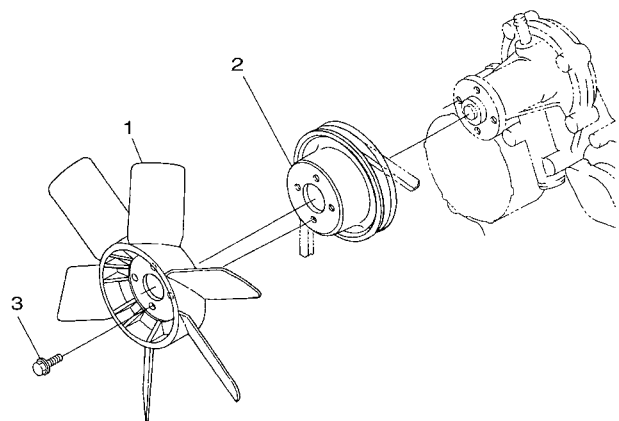
REF. NO.	PART NO.	DESCRIPTION	Q9CF				REMARKS
1	YF1-62267-27-02	FLANGE,COMP.(WATER)	1				
2	YF1-62417-33-70	.PIPE,WATER RETURN	1				
3	YF1-75388-30-40	SWITCH,THERMOSTAT	1				
4	YF1-62647-29-20	GASKET(WATER FLANGE,NA)	1				
5	YF0-10235-06-16	BOLT	3				
6	YF0-10235-06-55	BOLT	1				
7	YF1-62417-33-50	WATER RETURN PIPE 2	1				
8	YF1-62417-33-60	CLIP,PIPE	2				
9	YF1-94347-30-14	THERMOSTAT ASSY.	1				
10	YF1-62197-32-60	THERMOSTAT COVER	1				
11	YF1-62217-32-70	GASKET(THERMOSTAT,NA)	1				
12	YF0-11235-08-35	BOLT (7LR1)	2				
13	YF1-62517-30-34	PUMP ASSY.(WATER)	1				
14	YF1-62597-35-20	.WATER PUMP SHAFT FLANGE	1				
15	YF1-62597-35-52	.BEARING	1				
16	YF1-G6427-30-50	.MECHANICAL SEAL ASSY	1				
17	YF1-62597-35-12	.WATER PUMP IMPELLER	1				
18	YF1-62417-33-40	.PIPE 1	1				
19	YF1-62397-34-30	GASKET(WATER PUMP,NA)	1				
20	YF0-10235-06-30	BOLT	4				
21	YF0-10235-06-85	BOLT	2				



Q9C2600-A092

FIG. 9 RADIATOR & HOSE

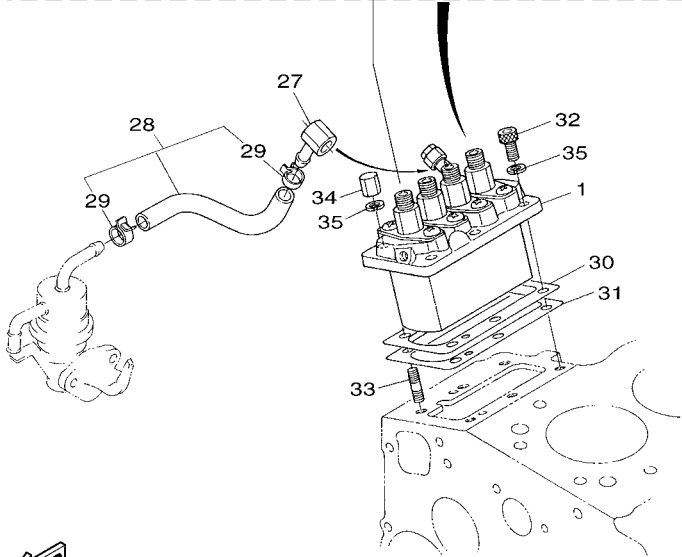
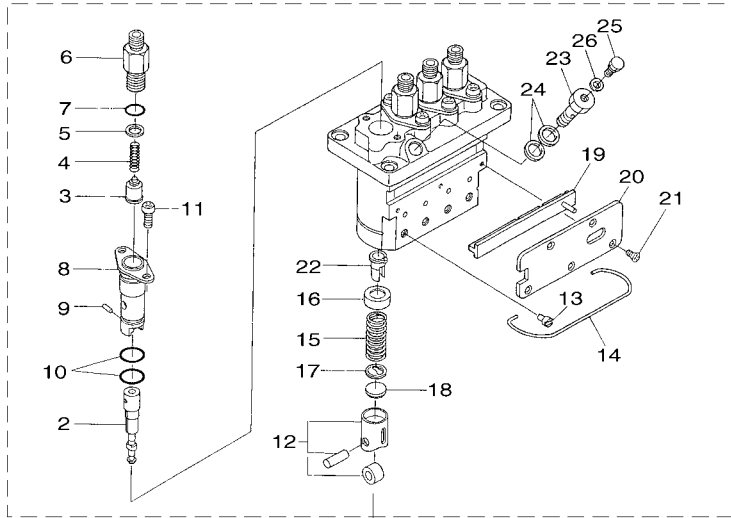
REF. NO.	PART NO.	DESCRIPTION	Q9CF				REMARKS
1	YF1-G3477-20-60	RADIATOR ASSY.	1				
2	YF1-75801-60-60	.CAP(RADIATOR)	1				
3	YF1-G3477-23-30	.SHROUD(FAN)	1				
4	YF3-40701-60-70	.PLUG(DRAIN)	1				
5	YF3-40701-60-90	.O-RING	1				
6	YF3-40701-60-30	RUBBER(RADIATOR MOUNT)	4				
7	YF1-K5227-28-50	HOSE(1,WATER)	1				
8	YF1-K5227-29-40	HOSE(4,WATER)	1				
9	YF0-93188-90-39	HOSE CLAMP	4				
10	YF1-72037-28-60	WATER PIPE 2	1				
11	YF1-G6807-28-70	PIPE(WATER,3)	1				
12	YF3-62008-27-20	CLAMP	2				



Q9C3600-A100

**FIG. 10 RESERVE TANK**

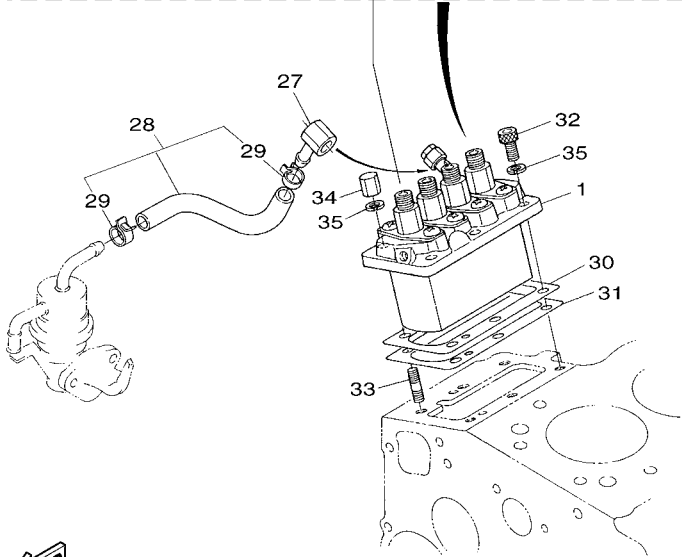
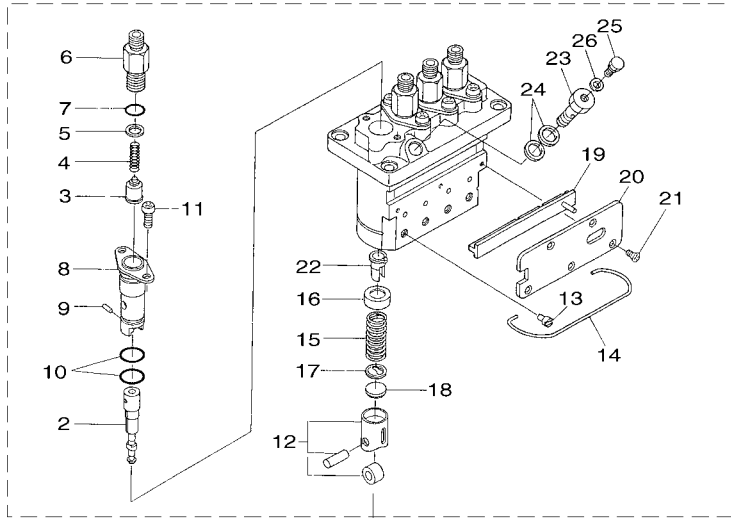
REF. NO.	PART NO.	DESCRIPTION	Q9CF					REMARKS
1	YF1-94937-41-10	FAN	1					
2	YF1-62417-42-50	FAN PULLEY	1					
3	YF0-17545-06-10	BOLT,FLANGE	4					
4	YF1-55317-24-02	RESERVE TANK ASSY	1					
5	YF1-55317-24-10	.BODY,TANK	1					
6	YF1-55018-82-10	.LABEL,CAUTION	1					
7	YF1-55317-24-22	.CAP	1					
8	YF1-55317-24-32	.PACKING	1					
9	YF1-54717-24-40	.PIPE,WATER OVER FLOW 2	1					
10	YF1-55317-24-42	.PIPE,WATER OVER FLOW 2	1					
11	YF1-55017-24-70	.CLIP,PIPE	2					
12	YF1-19827-24-60	STAY,RESERVE TANK	1					
-----								
-----								
-----								
-----								
-----								
-----								
-----								
-----								
-----								



Q9C3600-A110

FIG. 11 INJECTION PUMP

REF. NO.	PART NO.	DESCRIPTION	Q9CF				REMARKS
1	YF1-60605-10-10	INJECTION PUMP ASSY.	1				
2	YF1-60305-10-52	.ELEMENT(PUNP)	4				
3	YF1-58415-10-30	.VALVE,DELIVERY	4				
4	YF1-58415-12-30	.SPRING,DELIVERY VALVE	4				
5	YF1-58415-12-40	.GASKET,DELIVERY VALVE	4				
6	YF1-62715-12-20	.HOLDER,DELIVERY VALVE	4				
7	YF1-58419-67-60	.O-RING	4				
8	YF1-58415-15-60	.SLEEVE FLANGE	4				
9	YF1-58419-45-70	.PIN,WITH HEAD	4				
10	YF1-58415-12	.O-RING	8				
11	YF1-58629-14-30	.SCREW	8				
12	YF1-58415-10-70	.TAPPET ASSY	4				
13	YF1-58415-12-50	.PIN,TAPPET GUIDE	4				
14	YF1-62715-14-30	.PIN,CLAMP	1				
15	YF1-58415-12-80	.SPRING,PLUNGER	4				
16	YF1-58415-12-70	.SEAT SPRING,UPPER	4				
17	YF1-58415-12-90	.SEAT SPRING,LOWER	4				
18	YF1-58415-14-90	.SHIM	4				
19	YF1-60605-10-60	.RACK(CONTROL)	1				
20	YF1-60605-15-40	.PLATE	1				
21	YF1-58419-31-10	.SCREW,CYLINDER HEAD	5				
22	YF1-58415-13-80	.CONTROL SLEEVE	4				
23	YF1-60305-13-20	.BOLT FLANGE	1				
24	YF1-58419-66-50	.PACKING	2				
25	YF1-58415-13-50	.SCREW,AIR BREATHER	1				
26	YF1-58419-66-60	.PACKING	1				
27	YF1-62419-56-90	PIPE FLANNGE	1				



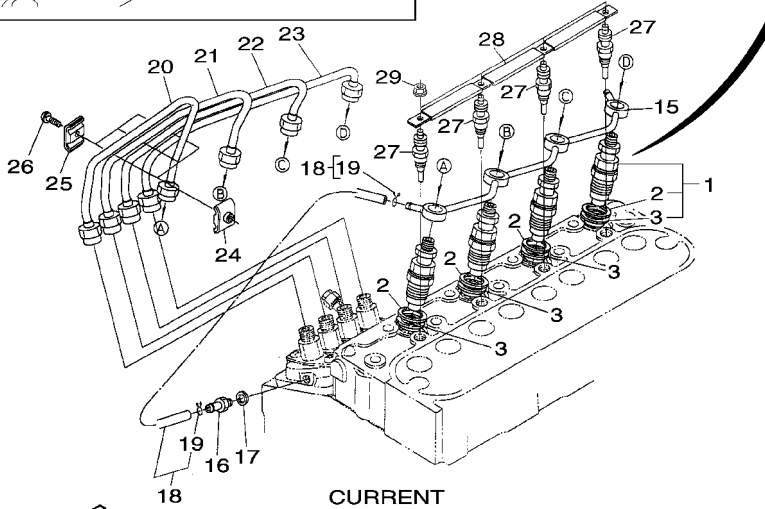
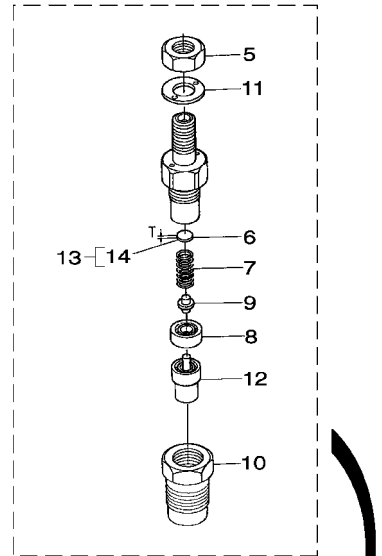
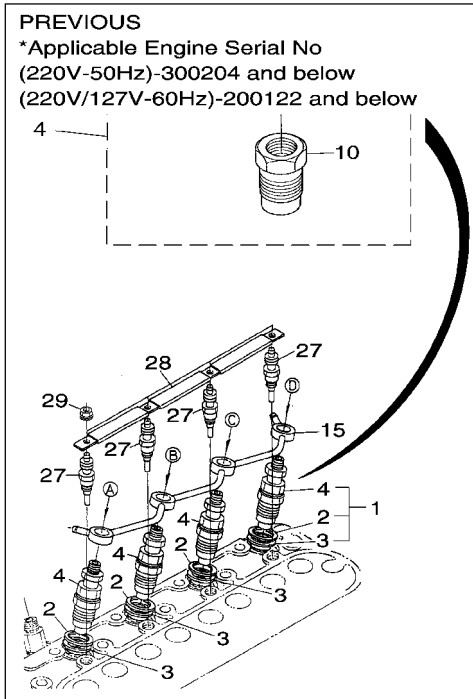
Q9C3600-A110

FIG. 11 INJECTION PUMP

REF. NO.	PART NO.	DESCRIPTION	Q9CF				REMARKS
28	YF1-62414-20-10	FUEL PIPE ASSY.	1				
29	YF1-49114-27-50	.PIPE CLIP	2				
30	YF1-60405-20-92	SHIM(INJ.PUMP,0.20)	1				
31	YF1-60405-21-12	SHIM(INJ.PUMP,0.25)	1				UR
	YF1-60405-21-22	SHIM(INJ.PUMP,0.30)	1				UR
32	YF0-13111-06-20	BOLT,HEXAGON WITH HOLE	3				
33	YF1-58419-15	STUD	3				
34	YF1-58419-23-20	NUT,CROWN	3				
35	YF0-45126-00-60	WASHER,SPRING	6				

**FIG. 12 INJECTION NOZZLE**

REF. NO.	PART NO.	DESCRIPTION	Q9CF			REMARKS
1	YF1-60325-39-01	NOZZLE HOLDER KIT	4			PREVIOUS
	YF1-G0655-39-01	NOZZLE HOLDER KIT	4			CURRENT
2	YF1-58415-36-22	.PACKING	4			
3	YF1-90775-36-50	.SEAL,HEAT	4			
4	YF1-60325-30-01	..NOZZLE HOLDER ASSY	4			PREVIOUS
5	YF1-60329-20-30	..NUT	4			CURRENT
6	YF1-60325-32-30	..WASHER(ADJUSTING)	4			CURRENT
7	YF1-60325-31-70	..SPRING(NOZZLE)	4			CURRENT
8	YF1-60325-33-50	..SPACER(DISTANCE)	4			CURRENT
9	YF1-60325-31-60	..PUSH ROD	4			CURRENT
10	YF1-60325-32-80	..NUT(NOZZLE)	4			CURRENT
11	YF1-60329-40-40	..WASHER PLATE	4			CURRENT
12	YF1-60325-36-10	..NOZZLE PIECE	4			PREVIOUS
	YF1-G0655-36-11	..NOZZLE PIECE	4			CURRENT
13	YF1-60329-81	..WASHER ASSY.(ADJUSTING)	4			AP CURRENT
14	YF1-60329-85	..WASHER(ADJUSTING,0.10)	4			UR CURRENT
	YF1-60329-85-10	..WASHER(ADJUSTING,0.20)	4			UR CURRENT
	YF1-60329-85-20	..WASHER(ADJUSTING,0.30)	4			UR CURRENT
	YF1-60329-85-30	..WASHER(ADJUSTING,0.40)	4			UR CURRENT
	YF1-60329-85-40	..WASHER(ADJUSTING,0.50)	4			UR CURRENT
	YF1-60329-85-50	..WASHER(ADJUSTING,0.52)	4			UR CURRENT
	YF1-60329-85-60	..WASHER(ADJUSTING,0.54)	4			UR CURRENT
	YF1-60329-85-70	..WASHER(ADJUSTING,0.56)	4			UR CURRENT
	YF1-60329-85-80	..WASHER(ADJUSTING,0.58)	4			UR CURRENT
	YF1-60329-85-90	..WASHER(ADJUSTING,0.80)	4			UR CURRENT
15	YF1-62714-25-02	PIPE ASSY.(OVERFLOW)	1			
16	YF1-58415-13-60	SCREW,AIR BREATHER	1			

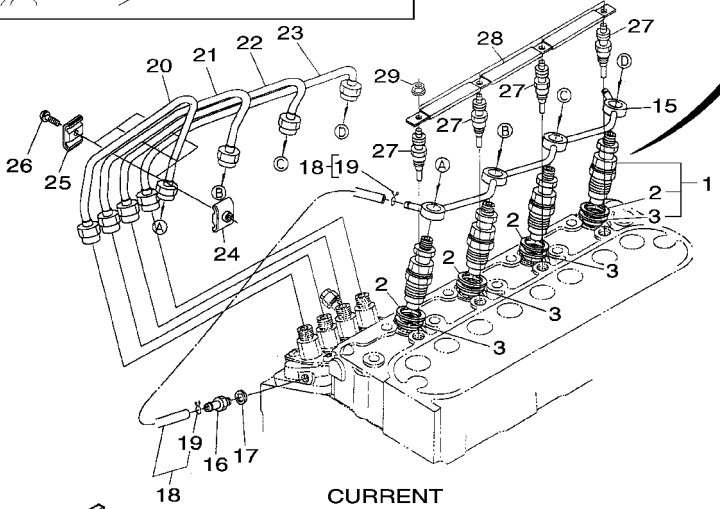
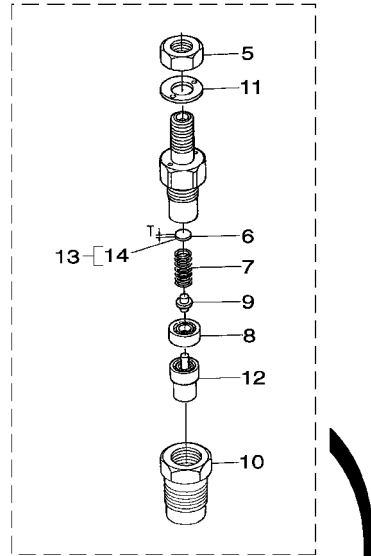
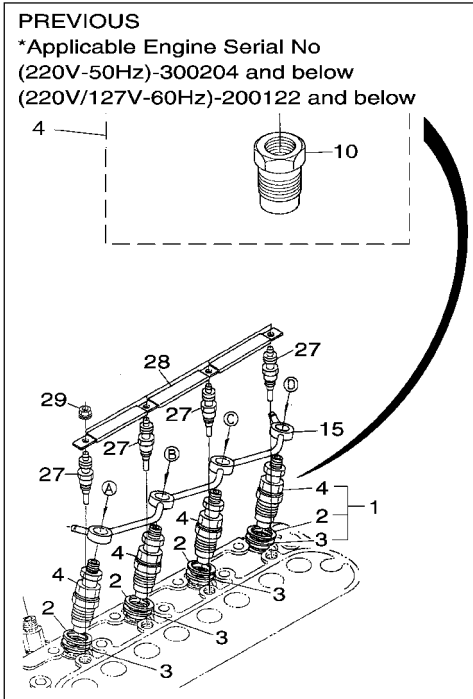


**CURRENT**  
 \*Applicable Engine Serial No  
 (220V-50Hz)-300205 and following  
 (220V/127V-60Hz)-200123 and following

  
 Q9CF600-F120

**FIG. 12 INJECTION NOZZLE**

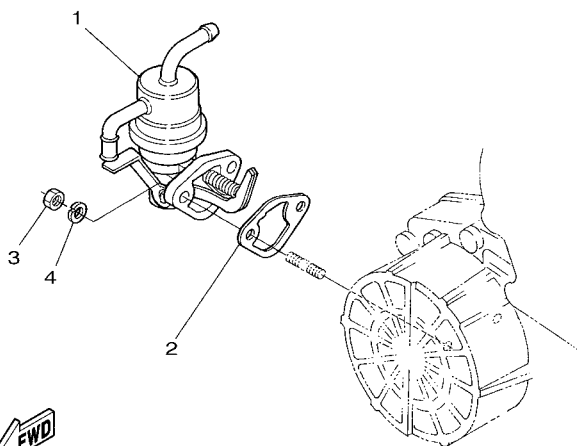
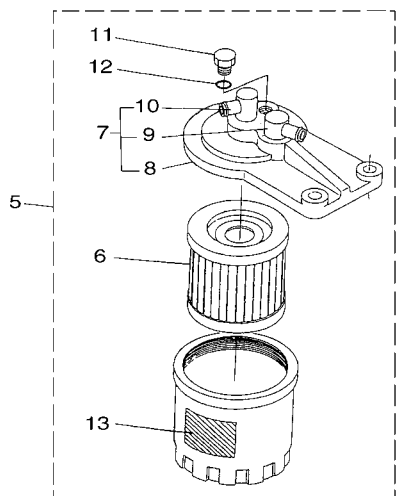
REF. NO.	PART NO.	DESCRIPTION	Q9CF				REMARKS
17	YF1-56019-66-50	PACKING	1				
18	YF1-58414-25-01	OVER FLOW PIPE ASSY 2	1				
19	YF1-49714-27-50	.PIPE CLIP	2				
20	YF1-62715-37-12	PIPE(1,INJECTION)	1				
21	YF1-62715-37-22	PIPE(2,INJECTION)	1				
22	YF1-62715-37-32	PIPE(3,INJECTION)	1				
23	YF1-62715-37-42	PIPE(4,INJECTION)	1				
24	YF1-58415-38-50	CLAMP,PIPE 1	3				
25	YF1-58415-38-60	CLAMP,PIPE 2	3				
26	YF0-30245-05-20	SCREW,WITH WASHER	3				
27	YF1-62816-55-11	PLUG,GLOW	4				
28	YF1-62716-55-60	PLUG,GLOW CODE	1				
29	YF0-27615-00-40	NUT,FLANGE	4				



  
 Q9CF600-F120

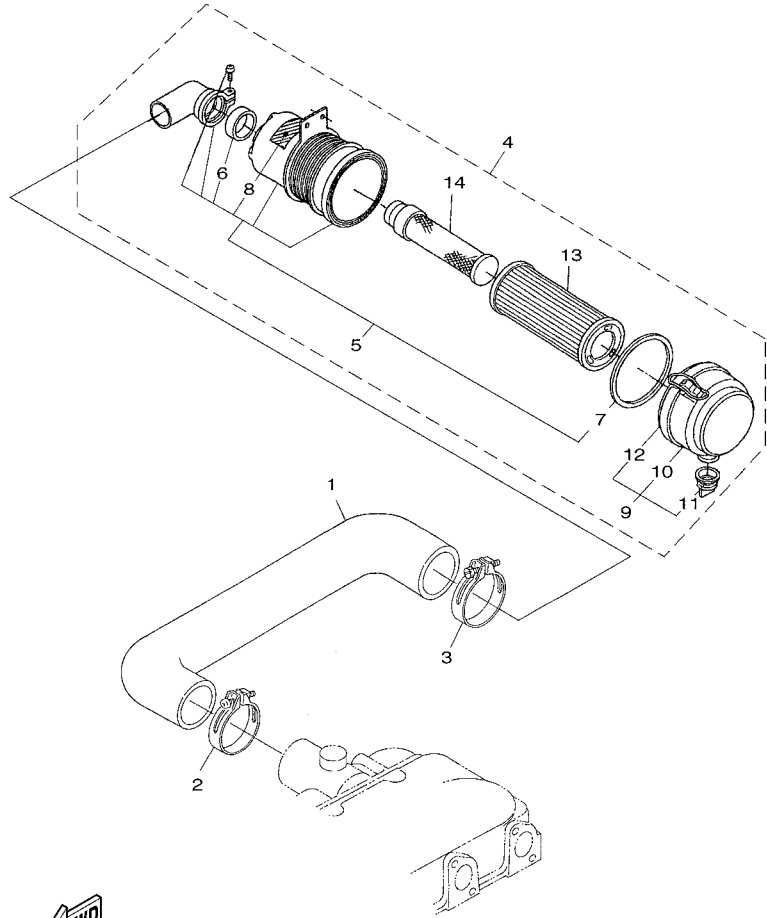


**FIG. 13 FUEL SYSTEM 2**



  
 Q9C2600-A130

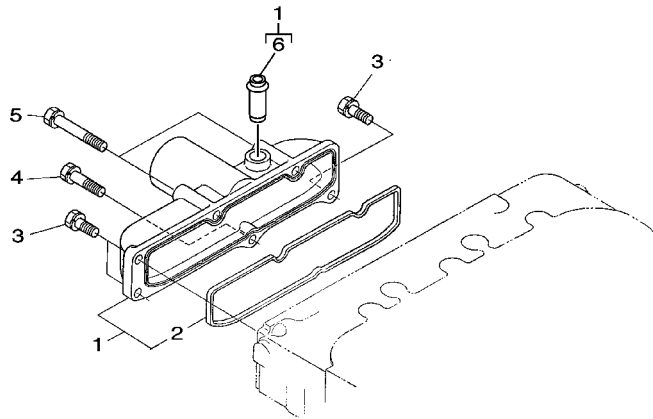
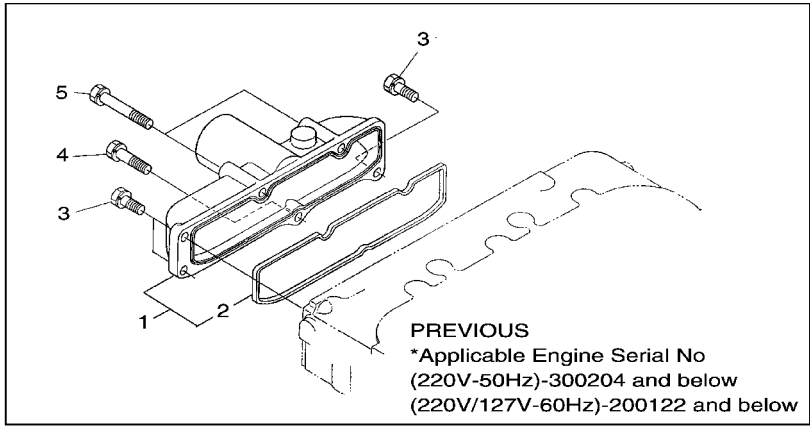
REF. NO.	PART NO.	DESCRIPTION	Q9CF				REMARKS
1	YF1-62855-20-32	PUMP ASSY.(FUEL)	1				
2	YF1-62645-21-40	GASKET	1				
3	YF0-20565-00-60	NUT	2				
4	YF0-45126-00-60	WASHER,SPRING	2				
5	YF1-52244-30-10	FUEL FILTER ASSY.	1				
6	YF1-52214-31-70	.FILTER ELEMENT	1				
7	YF1-52244-32	.FILTER COVER ASSY.	1				
8	YF1-52214-32-10	..FILTER COVER	1				
9	YF1-51084-36-10	..PIPE FLANGE 1	1				
10	YF1-51084-37-80	..PIPE FLANGE 2	1				
11	YF1-92224-32-80	.PLUG,FILTERE AIR DRAIN	1				
12	YF1-51084-32-90	.O-RING	1				
13	YF1-52248-77-60	.MARK	1				



  
 Q9CE600-F140

**FIG. 14 AIR CLEANER**

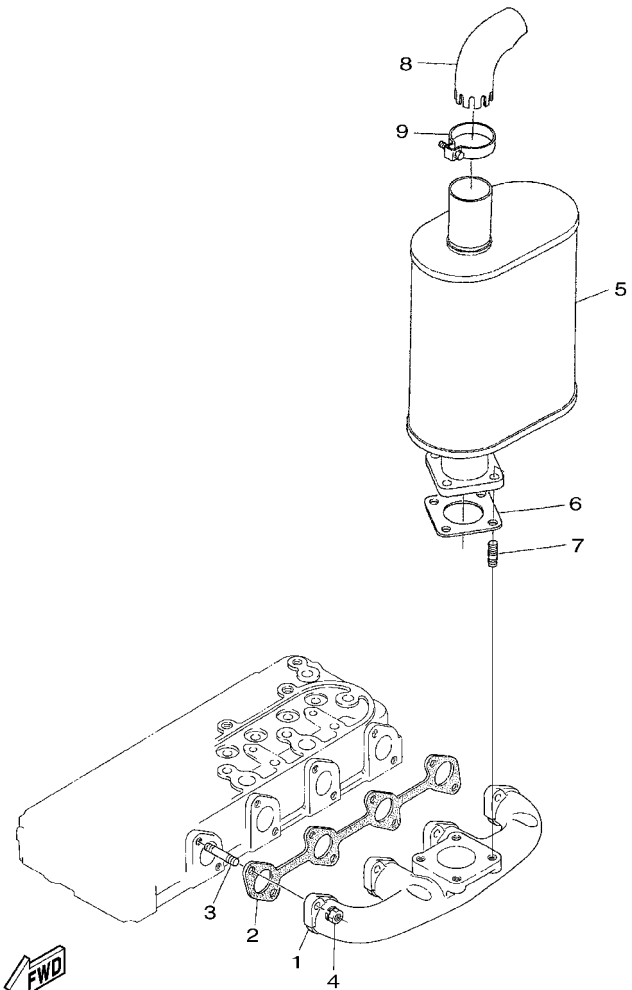
REF. NO.	PART NO.	DESCRIPTION	Q9CF				REMARKS
1	YF1-66161-16-20	INLET PIPE	1				
2	YF1-54011-17-20	BAND, PIPE	1				
3	YF1-52211-17-20	BAND,PIPE	1				
4	YF3-23329-32-02	AIR CLEANER ASSY.(W FILTER)	1				
5	YF3-23321-63-10	.BODY COMP.(AIR CLEANER)	1				
6	YFT-02709-31-10	..SEAL(PIPE)	1				
7	YFT-02709-31-50	..SEAL(AIR CLEANER)	1				
8	YF3-23329-31-80	..LABEL(W AIR CLEANER)	1				
9	YFT-02709-31-70	.CUP ASSY.(AIR CLEANER)	1				
10	YFT-02709-31-40	..CUP(AIR CLEANER)	1				
11	YFT-00709-31-60	..VALVE	1				
12	YFT-02709-31-90	..CLAMP(AIR CLEANER)	1				
13	YFT-02701-63-20	.FILTER COMP.(AIR CLEANER)	1				
14	YFT-02709-32-20	.ELEMENT ASSY.(INNER)	1				



  
 Q9CF600-F150

**FIG. 15 INTAKE**

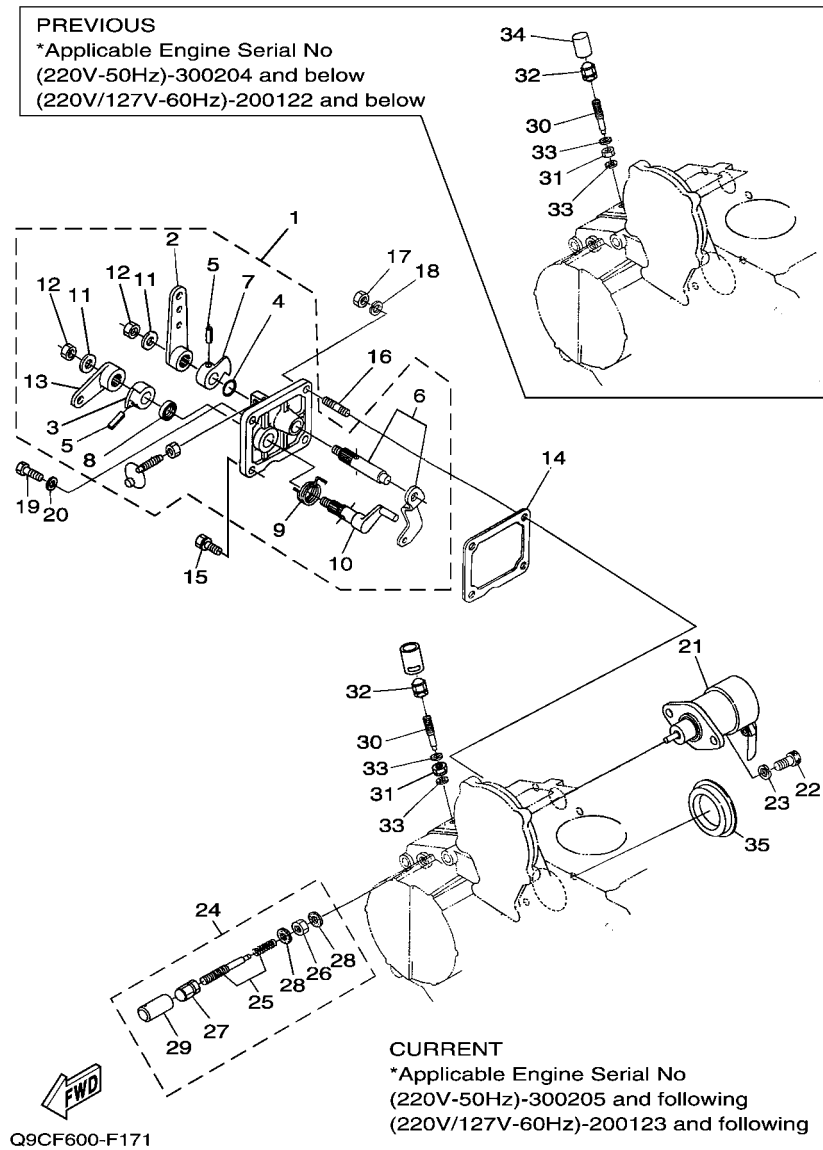
REF. NO.	PART NO.	DESCRIPTION	Q9CF			REMARKS
1	YF1-62711-17-70	MANIFOLD ASSY.(INLET)	1			PREVIOUS
	YF1-62591-17-73	MANIFOLD ASSY,INLET	1			CURRENT
2	YF1-62411-18-20	.INLET MANIFOLD PACKING	1			
3	YF0-10235-06-18	BOLT	3			
4	YF0-10235-06-30	BOLT	2			
5	YF0-10236-06-50	BOLT,WITH WASHER	3			
6	YF1-62410-55-51	.JOINT,BREATHER PIPE	1			CURRENT



Q9C3600-A160

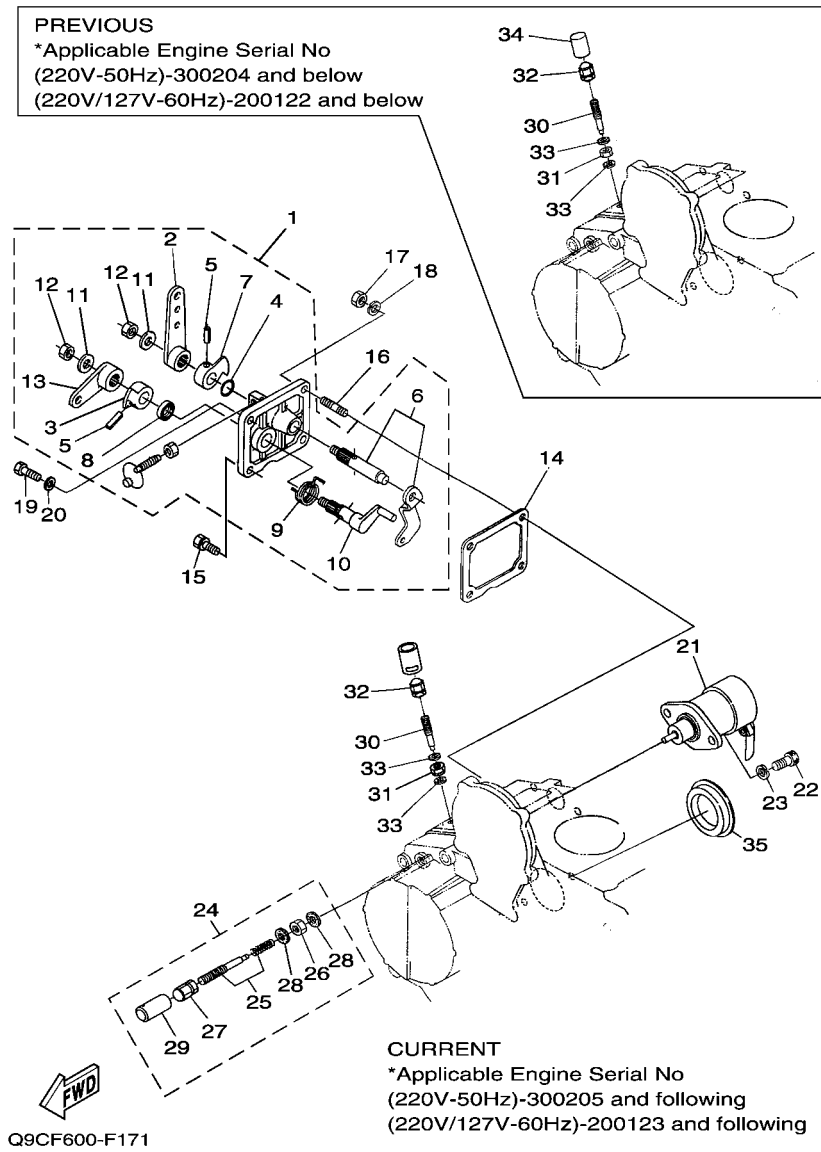
FIG. 16 EXHAUST 1

REF. NO.	PART NO.	DESCRIPTION	Q9CF				REMARKS
1	YF1-62851-23-10	EXHAUST MANIFOLD	1				
2	YF1-62991-23-60	EXHAUST MANIFOLD PACKING NA	1				
3	YF1-62419-14-90	STUD	8				
4	YF1-62719-20-10	NUT	8				
5	YF1-K5521-21-11	MUFFLER	1				
6	YF1-52631-23-70	PACKING,MUFFLER(NA)	2				
7	YF0-15135-08-22	STUD	4				
8	YF1-69201-24-10	PIPE(MUFFLER)	1				
9	YF1-69201-24-30	CLAMP(MUFFLER PIPE)	1				



**FIG. 17 CONTROL UNIT**

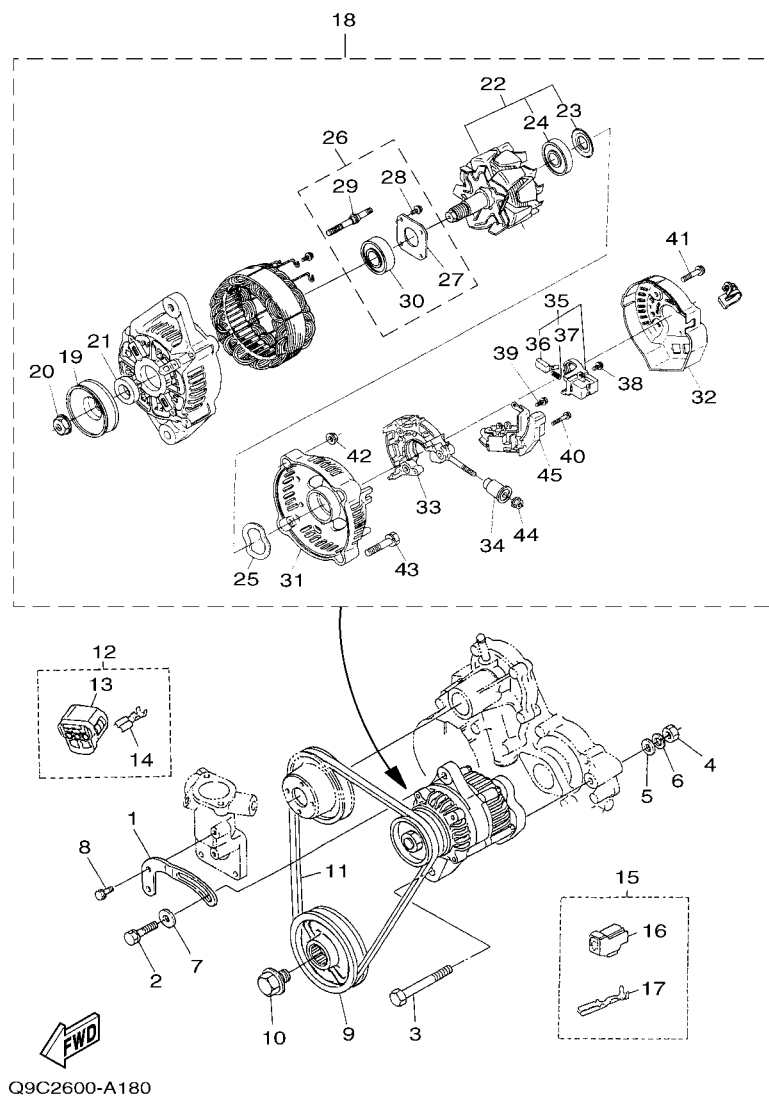
REF. NO.	PART NO.	DESCRIPTION	Q9CF				REMARKS
1	YF1-K5915-70-15	PLATE ASSY(SPEED CONTROL)	1				
2	YF1-62715-71-52	.LEVER 1,SPEED CONTROL	1				
3	YF1-62415-71-62	.LEVER 2,SPEED CONTROL	1				
4	YF0-48140-01	.O-RING	1				
5	YF0-54110-04-20	.PIN,SPRING	2				
6	YF1-62715-60-24	.LEVER COMP.(GOVERNOR)	1				
7	YF1-62715-77-21	.LEVER(1,ENGINE STOP)	1				
8	YF1-54715-79-81	.OIL SEAL	1				
9	YF1-62225-75-11	.SPRING,RETURN	1				
10	YF1-62715-77-40	.SHAFT,STOP LEVER	1				
11	YF1-62419-40-20	.WASHER, PLAIN	2				
12	YF1-62419-20-20	.NUT	2				
13	YF1-62715-77-20	.LEVER, ENGINE STOP	1				
14	YF1-62645-72-10	GASKET(ADJUSTING PLATE,NA)	1				
15	YF0-10235-06-16	BOLT	1				
16	YF1-62459-15-40	STUD	2				
17	YF0-20565-00-60	NUT	2				
18	YF0-45126-00-60	WASHER,SPRING	2				
19	YF0-10535-06-18	BOLT	1				
20	YF1-56019-66-50	PACKING	1				
21	YF1-72086-00-10	SOLENOID ASSY	1				
22	YF0-13111-06-14	BOLT,WITH HEXAGONAL HOLE	2				
23	YF0-45126-00-60	WASHER,SPRING	2				
24	YF1-62595-40-90	IDLING LIMITER DEVICE ASSY	1				
25	YF1-62595-41-02	.ADJUSTING BOLT ASSY.	1				
26	YF1-58419-20-20	.NUT	1				
27	YF1-58529-23-32	.NUT,CROWN	1				



**FIG. 17 CONTROL UNIT**

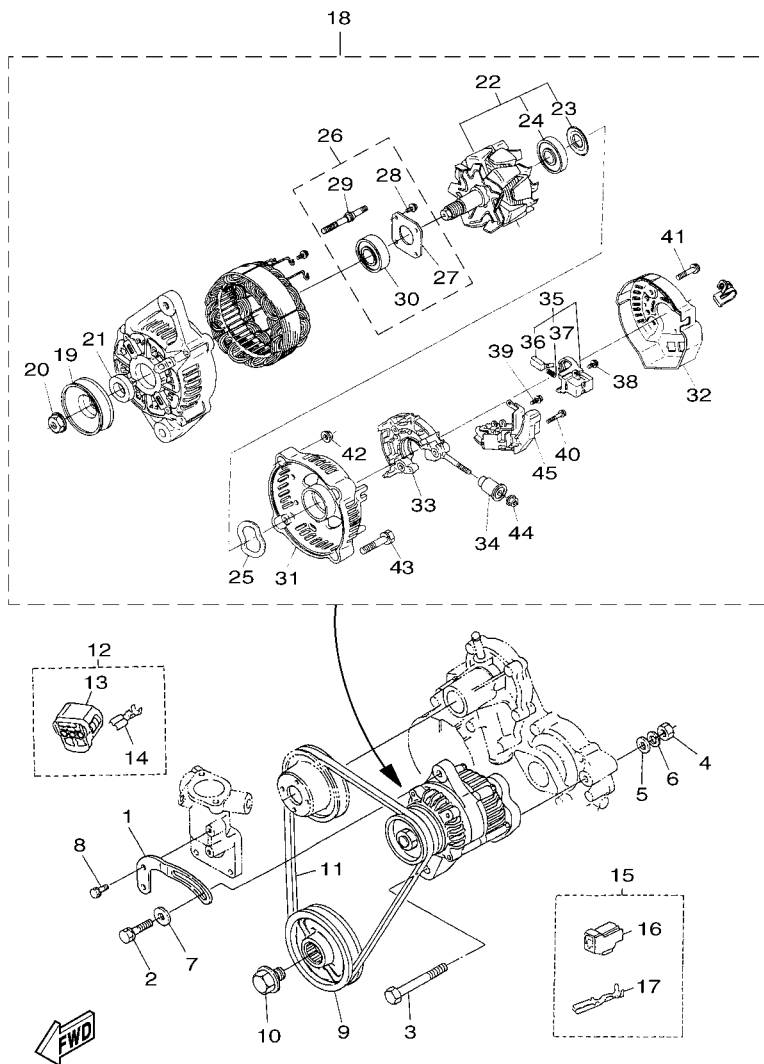
REF. NO.	PART NO.	DESCRIPTION	Q9CF				REMARKS
28	YF1-56019-66-50	.PACKING	2				
29	YF1-62215-44-20	.CAP	1				
30	YF1-62415-41-20	ADJUSTING BOLT	1				
31	YF1-58419-20-20	NUT	1				PREVIOUS
	YF1-G0315-42-10	NUT (7NFA)	1				CURRENT
32	YF1-58419-23-30	NUT,CROWN	1				
33	YF1-56019-66-50	PACKING	2				
34	YF1-62215-44-20	CAP	1				PREVIOUS
35	YF1-62648-31-52	COVER(HYDRAULIC PUMP)	1				
<hr/>							
<hr/>							
<hr/>							
<hr/>							
<hr/>							
<hr/>							
<hr/>							
<hr/>							
<hr/>							

**FIG. 18 GENERATOR**



Q9C2600-A180

REF. NO.	PART NO.	DESCRIPTION	Q9CF				REMARKS
1	YF1-62416-44-20	DYNAMO STAY	1				
2	YF0-11235-08-30	BOLT (EDK8000TE)	1				
3	YF0-11735-10-85	BOLT	1				
4	YF0-21765-01	NUT	1				
5	YF0-40155-01	WASHER PLATE	1				
6	YF0-45126-01	WASHER SPRING	1				
7	YF0-40156-00-80	WASHER,PLATE	1				
8	YF0-10235-06-16	BOLT	1				
9	YF1-62417-42-80	FAN DRIVE PULLEY	1				
10	YF1-62419-10-20	BOLT(FAN DRIEVE)	1				
11	YF1-63569-70-11	37V-BELT	1				
12	YF1-66786-58-30	CONNECTER ASSY.	1				
13	YF1-66316-58-40	.CONNECTER	1				
14	YF1-92376-59-10	.TERMINAL	3				
15	YF1-C0106-58-30	COUPLER ASSY(SOLENOID)	1				
16	YF1-C0106-58-80	.CONNECTER	1				
17	YF1-C0106-59-10	.TERMINAL	2				
18	YF1-K5746-40-15	ALTERNATOR ASSY	1				
19	YF1-58816-41-10	.DYNAMO PULLEY	1				
20	YF1-58819-20-10	.NUT	1				
21	YF1-58816-41-50	.COLLAR	1				
22	YF6-64366-40-40	.ROTOR	1				
23	YF1-58816-48-01	..BEARING COVER	1				
24	YF1-66526-47-70	..BALL BEARING	1				
25	YF1-58816-48-10	.WASHER,THRUST	1				
26	YF6-64366-40-20	.DRIVE END FLAME	1				
27	YF1-58816-47-10	..RETAINER PLATE	1				

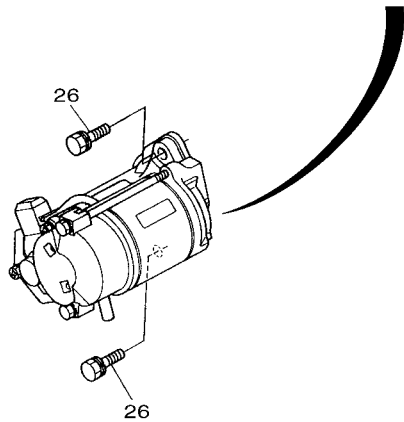
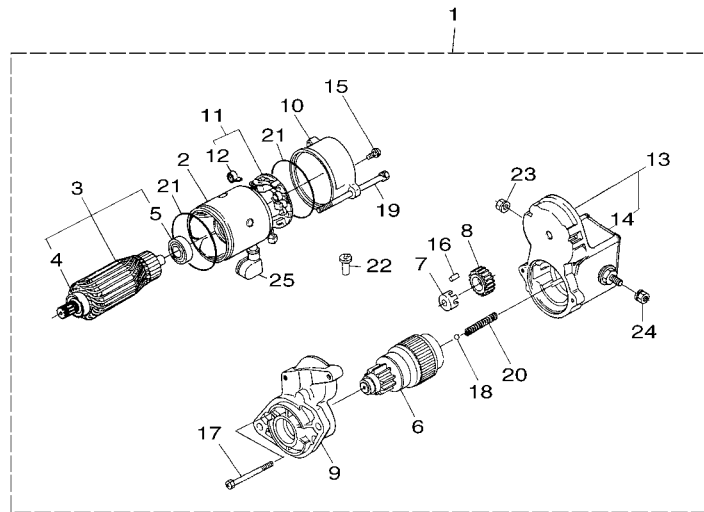


Q9C2600-A180

FIG. 18 GENERATOR

REF. NO.	PART NO.	DESCRIPTION	Q9CF				REMARKS
28	YF1-58819-30-10	..SCREW,ROUND HEAD	4				
29	YF1-58816-42-60	..THROUGH BOLT	2				
30	YF1-66526-47-80	..BALL BEARING	1				
31	YF1-62316-40-60	.END FRAME	1				
32	YF1-66786-42-30	.COVER(END)	1				
33	YF1-58816-48-50	..RECTIFIER ASSY	1				
34	YF1-58816-49	.INSULATION BUSHING	1				
35	YF1-66526-43-10	.BRUSH HOLDER	1				
36	YF1-58816-40-90	..BRUSH	2				
37	YF1-58816-43-30	..BRUSH SPRING	2				
38	YF1-58819-30-40	..SCREW,ROUND HEAD	1				
39	YF1-58819-30-30	.SCREW,ROUND HEAD	6				
40	YF1-58819-30-20	.SCREW,ROUND HEAD	2				
41	YF1-58819-10-40	.BOLT	3				
42	YF1-58819-20-20	.NUT	2				
43	YF1-58819-10-50	.BOLT	2				
44	YF1-41829-20-30	.NUT (7NT1)	1				
45	YF1-K5746-46-04	.REGULATOR ASSY	1				





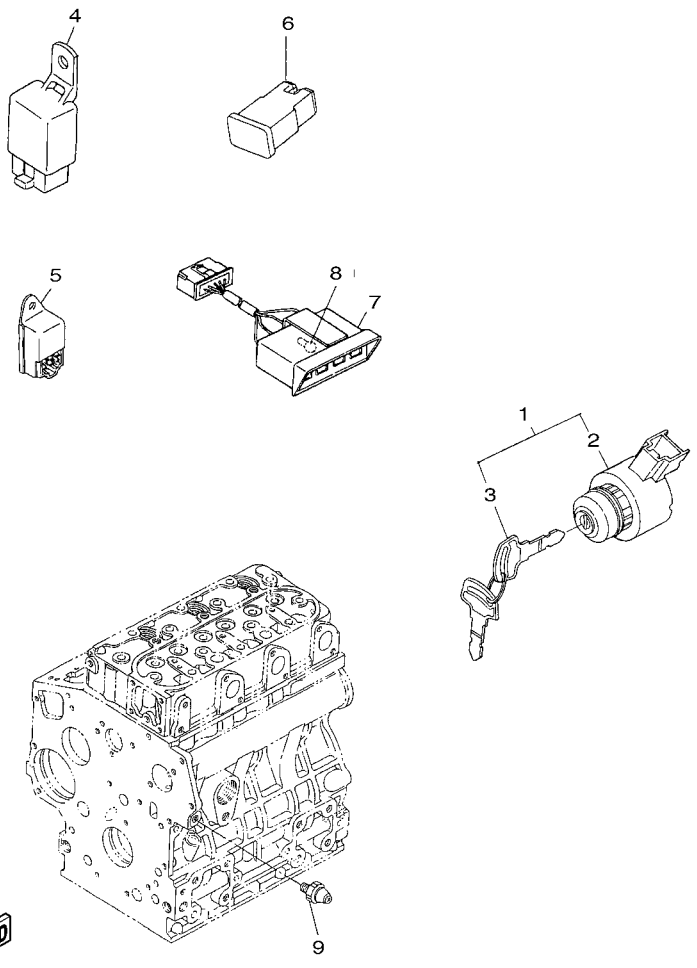
**FWD**  
Q9C3600-A190

**FIG. 19 STARTING MOTOR**

REF. NO.	PART NO.	DESCRIPTION	Q9CF				REMARKS
1	YF1-62856-30-10	STARTER	1				
2	YF1-14606-30-80	.YOKE	1				
3	YF1-14606-30-70	.ARMATURE	1				
4	YF1-14606-35	..BEARING	1				
5	YF1-14606-35-30	..BEARING	1				
6	YF1-62856-30-40	..CLUTCH ASSY.	1				
7	YF1-14606-31-10	.RETAINER	1				
8	YF1-14606-32-70	.GEAR(2)	1				
9	YF1-62856-30-30	.HOUSING ASSY.	1				
10	YF1-62856-32	.FRAME ASSY.(END)	1				
11	YF1-14706-33-80	..HOLDER ASSY.(BRUSH)	1				
12	YF1-14606-33-90	..SPRING(BRUSH)	4				
13	YF1-62856-30-20	.SWITCH ASSY.(MAGNET)	1				
14	YF1-62859-80-50	..COVER ASSY.(STARTER MAGNET)	1				
15	YF1-55116-37-60	.BOLT ASSY	2				
16	YF1-92126-31	..ROLLER	5				
17	YF1-14609-33-10	.BOLT	2				
18	YF1-92129-71-30	.BALL	1				
19	YF1-14606-33-20	.BOLT,THROUGH	2				
20	YF1-14606-31-20	.SPRING	1				
21	YF1-55119-66-60	.O-RING	2				
22	YF1-62856-35-70	.PIPE(DRAIN)	1				
23	YF1-39639-20-10	.NUT, HEXAGON	1				
24	YF1-62859-20-10	.NUT, HEXAGON	1				
25	YF1-11736-31-30	.COVER(TERMINAL)	1				
26	YF0-11235-08-25	BOLT	2				

**FIG. 20 ELECTRICAL**

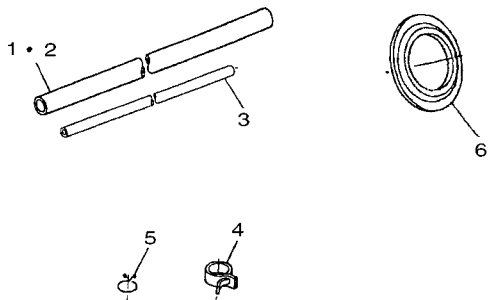
REF. NO.	PART NO.	DESCRIPTION	Q9CF				REMARKS
1	YF1-52486-35-90	STARTER SWITCH ASSY.	1				
2	YF6-C0405-54-12	.SWITCH,STARTER	1				
3	YF1-52486-37-02	.KEY, STARTER	1				
4	YF1-K5746-02-20	RELAY COMP.(12VA.D)	1				
5	YF1-56946-59-90	LAMP TIMER	1				
6	YF3-37807-55-50	SLOW BLOW FUSE(65A)	1				
7	YF1-74787-02-01	PILOT BOX	1				
8	YF3-41503-45-90	BULB	4				
9	YF1-58413-90-10	OIL SWITCH	1				
-----							
-----							
-----							
-----							
-----							
-----							
-----							



**FWD**  
Q9C2600-A200

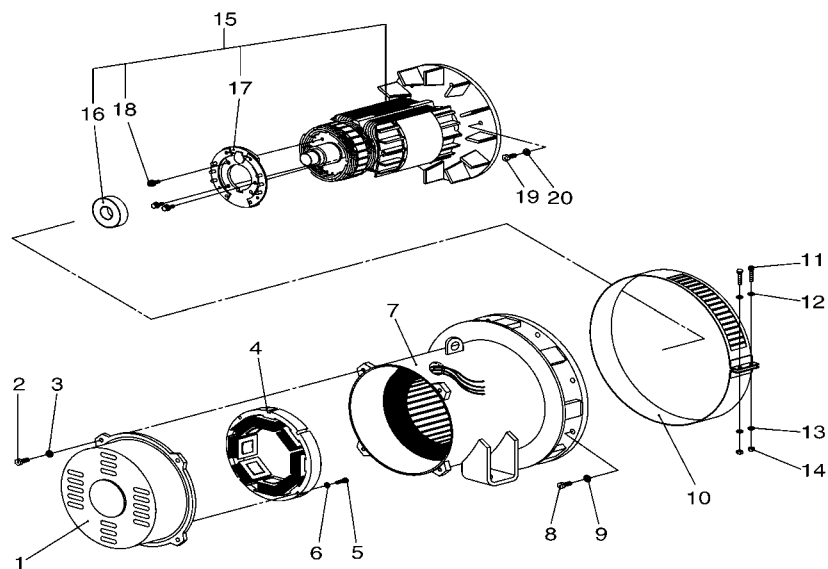
FIG. 21 ALTERNATE 1

REF. NO.	PART NO.	DESCRIPTION	Q9CF				REMARKS
1	YF0-96618-02	FUEL PIPE	1				
2	YF0-96618-04-50	FUEL PIPE	1				
3	YF0-96614-06-50	FUEL PIPE	1				
4	YF1-49114-27-50	PIPE CLIP	4				
5	YF1-49714-27-50	PIPE CLIP	2				
6	YF1-89013-02-70	FUEL TANK CAP SEAL	1				
-----							
-----							
-----							
-----							
-----							
-----							
-----							
-----							
-----							



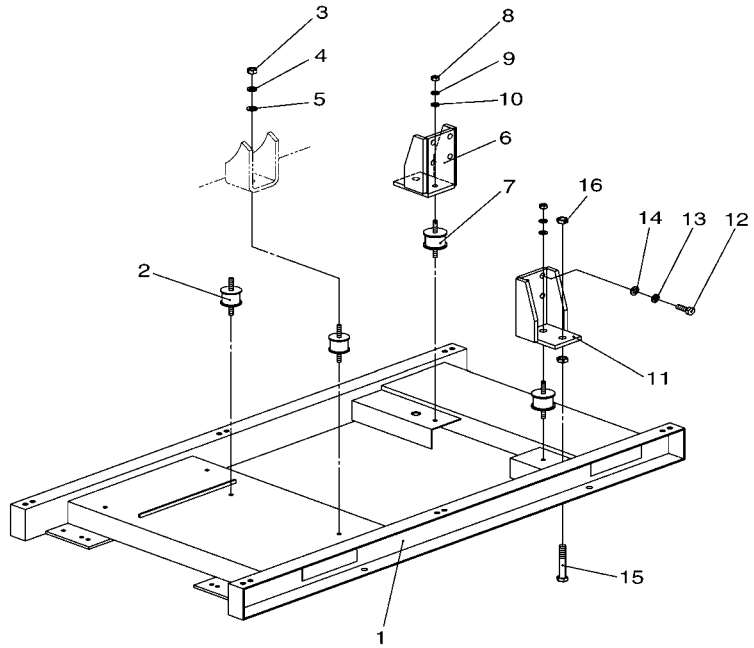
Q9C3600-A210

FIG. 22 GENERATOR 1



  
Q9CE600-F220

REF. NO.	PART NO.	DESCRIPTION	Q9CF				REMARKS
1	YFT-K3T30-18-86	BRACKET	1				
2	YFT-KBM08-30-A5	BOLT	4				
3	YFT-KWMS0-80	WASHER,SPRING	4				
4	YFT-WKC00-49-ST	EX STATOR ASSY	1				
5	YFT-KBM06-35-A5	BOLT	4				
6	YFT-KWMS0-60	WASHER,SPRING	4				
7	YFT-WKC01-23-ST	STATOR ASSY	1				UR 220V
	YFT-WKC01-26-ST	STATOR ASSY	1				UR 120/240V
8	YFB-M1025-B5-12	BOLT	8				
9	YFT-KWMS1-00	WASHER,SPRING	8				
10	YFT-K3T30-17-19	COVER	1				
11	YFT-KBM06-35-A5	BOLT	2				
12	YFT-KWMS0-60	WASHER,SPRING	2				
13	YFT-K1PWM-06-E5	WASHER	2				
14	YFT-K1NM0-6A-50	NUT	2				
15	YFT-WKC01-23-RT	ROTOR ASSY	1				
16	YFT-KNO63-06-ZZ	.BEARING	1				
17	YFT-K3T20-10-65	.RECTIFIER ASSY	1				
18	YFS-M0615-SP-A5	.BOLT	3				
19	YFT-KBM08-20-C5	BOLT	6				
20	YFT-KWMS0-80	WASHER,SPRING	6				

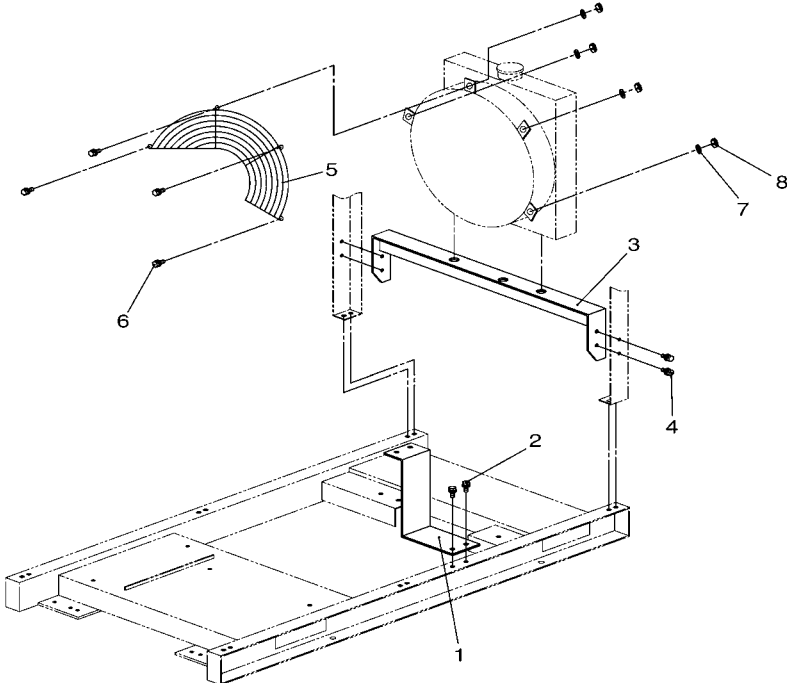


**FIG. 23 ENGINE MOUNT**

REF. NO.	PART NO.	DESCRIPTION	Q9CF				REMARKS
1	YFT-K3T30-32-21	BED	1				
2	YFT-KKA45-00	CUSHION	2				
3	YFT-K1NM0-8A-50	NUT	2				
4	YFT-KWMS0-80	WASHER,SPRING	2				
5	YFT-K1PWM-08-E5	WASHER	2				
6	YFT-K4T30-28-53	FOOT(L)	1				
7	YFT-KKA45-00	CUSHION	2				
8	YFT-K1NM0-8A-50	NUT	2				
9	YFT-KWMS0-80	WASHER,SPRING	2				
10	YFT-K1PWM-08-E5	WASHER	2				
11	YFT-K4T30-28-53	FOOT(L)	1				
12	YFB-M1025-B5-12	BOLT	8				
13	YFT-KWMS1-00	WASHER,SPRING	8				
14	YFT-K1PWM-10-E5	WASHER	8				
15	YFT-KBM12-65-A5	BOLT	2				
16	YFT-K1NM1-2A-50	NUT	4				

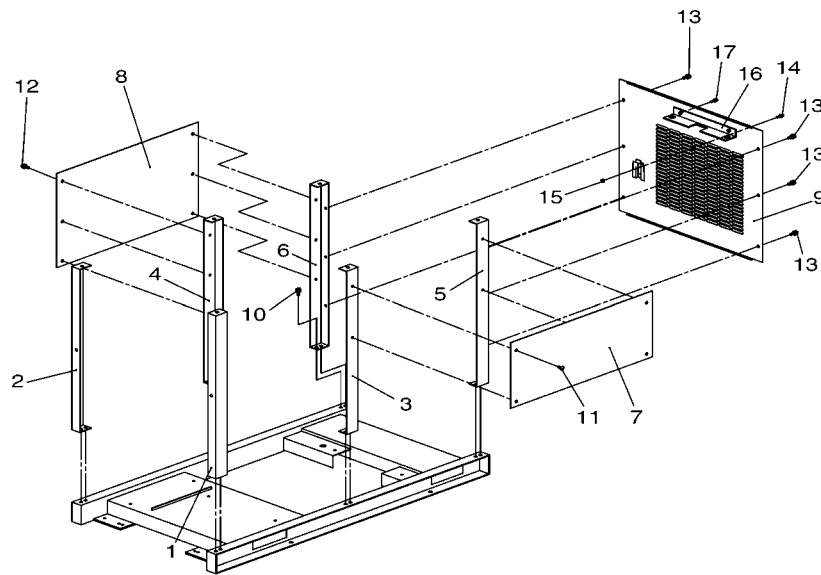
  
Q9CE600-F230

**FIG. 24 FRAME**



REF. NO.	PART NO.	DESCRIPTION	Q9CF				REMARKS
1	YFT-K4T30-27-71	BRACKET, FUEL FILTER	1				
2	YFS-M820S-PW-A6	BOLT	2				
3	YFT-K3T30-26-95	BRACKET, RADIATOR	1				
4	YFS-M820S-PW-A6	BOLT	4				
5	YF1-G6907-41-20	COVER	1				
6	YFS-M615S-PW-A5	BOLT	4				
7	YFT-K1PWM-06-E5	WASHER	4				
8	YFT-K1NM0-6A-50	NUT	4				



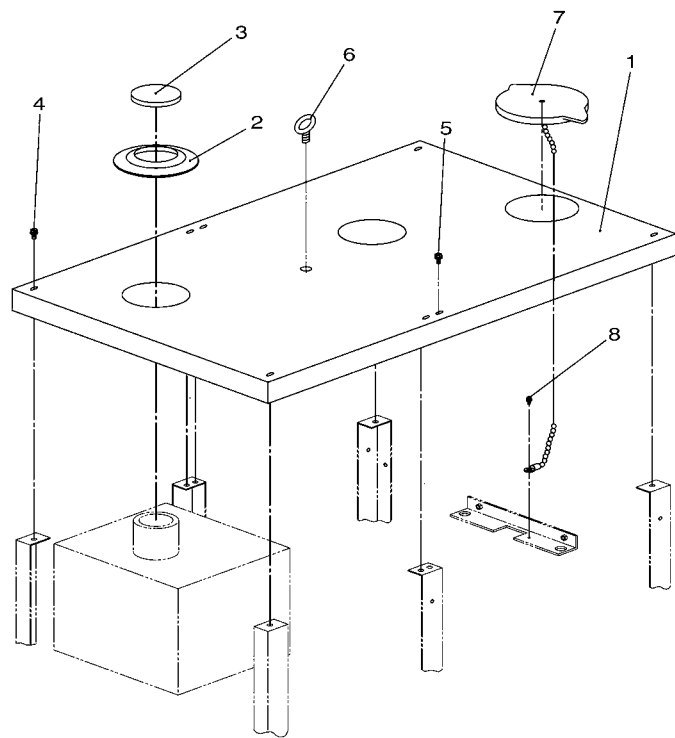


  
 Q9CE600-F250

**FIG. 25 COVER**

REF. NO.	PART NO.	DESCRIPTION	Q9CF				REMARKS
1	YFT-3T302-69-9R	STAND	1				
2	YFT-3T302-69-9L	STAND	1				
3	YFT-3T303-51-5R	STAND	1				
4	YFT-3T303-51-5L	STAND	1				
5	YFT-3T303-51-6R	STAND	1				
6	YFT-3T303-51-6L	STAND	1				
7	YFT-3T302-69-3R	COVER	1				
8	YFT-3T303-51-3L	COVER	1				
9	YFT-K3T30-26-96	COVER, RADIATOR	1				
10	YFS-M820S-PW-A6	BOLT	12				
11	YFS-M816S-PW-A6	BOLT	4				
12	YFS-M816S-PW-A6	BOLT	6				
13	YFS-M816S-PW-A6	BOLT	6				
14	YFS-M614S-PW-A6	BOLT	2				
15	YFT-K1NM0-6A-50	NUT	2				
16	YFT-K4T30-35-19	PLATE, RADIATOR	1				
17	YFS-M820S-PW-A6	BOLT	2				

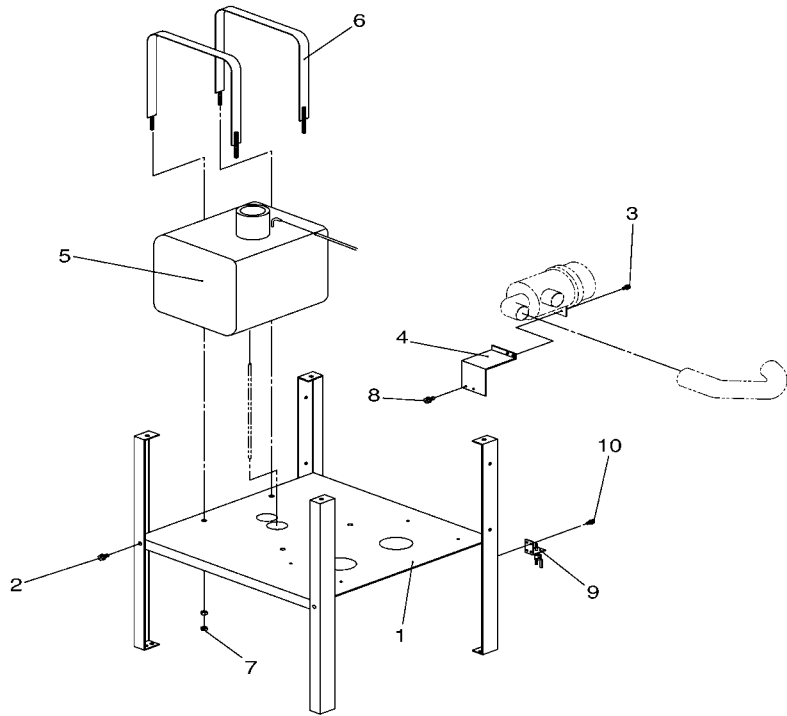
**FIG. 26 PANEL & COVER**



REF. NO.	PART NO.	DESCRIPTION	Q9CF				REMARKS
1	YFT-K3T30-35-18	ROOF	1				
2	YF1-89013-02-70	FUEL TANK CAP SEAL	1				
3	YFT-Y9901-00-0A	CAP FUEL TANK	1				
4	YFS-M820S-PW-A6	BOLT	4				
5	YFS-M1030-SP-A6	BOLT	4				
6	YFE-BM200-00	EYEBOLT	1				
7	YFT-K3T50-12-24	GUM CAP	1				
8	YFS-EC516-SP-G5	SCREW	1				

  
Q9CE600-F260





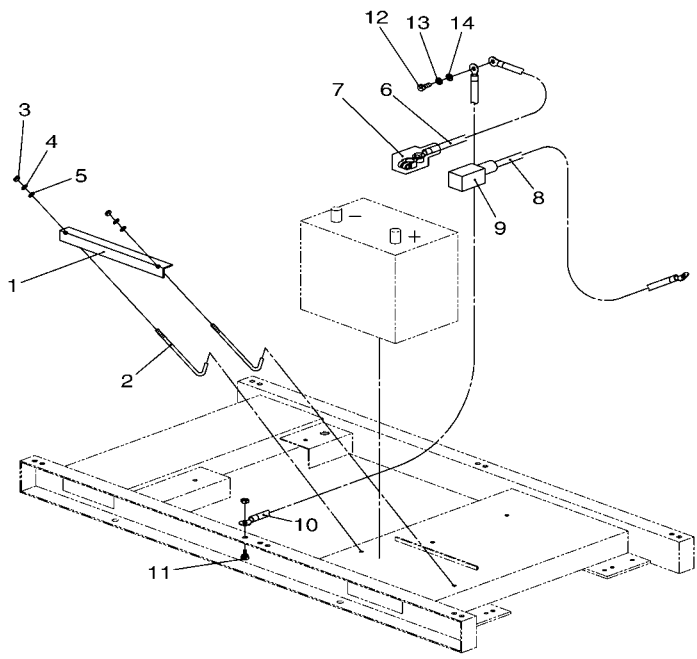
  
 Q9CE600-F270

**FIG. 27 FUEL TANK**

REF. NO.	PART NO.	DESCRIPTION	Q9CF			REMARKS
1	YFT-K3T30-34-99	PLATE, TANK & C BOX	1			
2	YFS-M820S-PW-A6	BOLT	4			
3	YFS-M820S-PW-A6	BOLT	2			
4	YFT-K4T30-27	PLATE,AIRCLEANER	1			
5	YFT-K3T30-27-68	FUEL TANK	1			
6	YFT-K4T30-27-72	BAND, FUEL TANK	2			
7	YFT-K1NM0-8A-50	NUT	8			
8	YFS-M820S-PW-A6	BOLT	2			
9	YFT-K3T20-16-82	COCK	1			
10	YFS-M515S-PW-A6	BOLT	4			



FIG. 29 FRAME 3



Q9CE600-F290

REF. NO.	PART NO.	DESCRIPTION	Q9CF				REMARKS
1	YFT-K4T30-20-93	SUPPORT BATTERY	1				
2	YFT-K4440-00-26	HOOK BATTERY	2				
3	YFT-K1NM0-6A-50	NUT	2				
4	YFK-TWMS0-60	WASHER,SPRING	2				
5	YFT-KM516-63-4C	WASHER	2				
6	YF3-T1031-21-02	CORD, BATTERY(-)	1				
7	YFT-K4440-00-9B	CORD(BLACK)	1				
8	YF3-T1031-21-01	CORD, BATTERY(+)	1				
9	YFT-K4440-00-9R	CORD(RED)	1				
10	YF3-T1031-21-03	CORD (EARTH)	1				
11	YFB-M825A-SS-Y0	BOLT	1				
12	YFB-M1020-C5-12	BOLT	1				
13	YFT-KWMS1-00	WASHER,SPRING	1				
14	YFT-K1PWM-10-E5	WASHER	1				



Q9CE600-F300

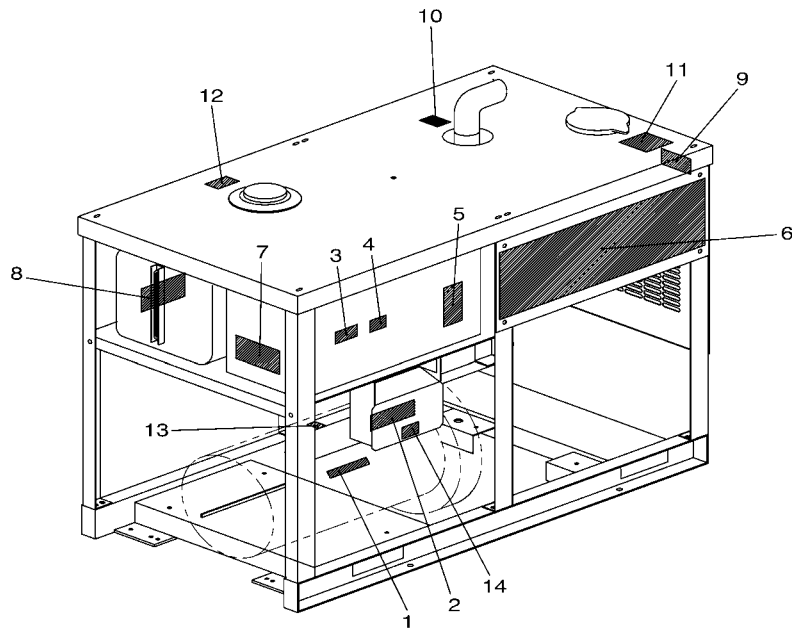
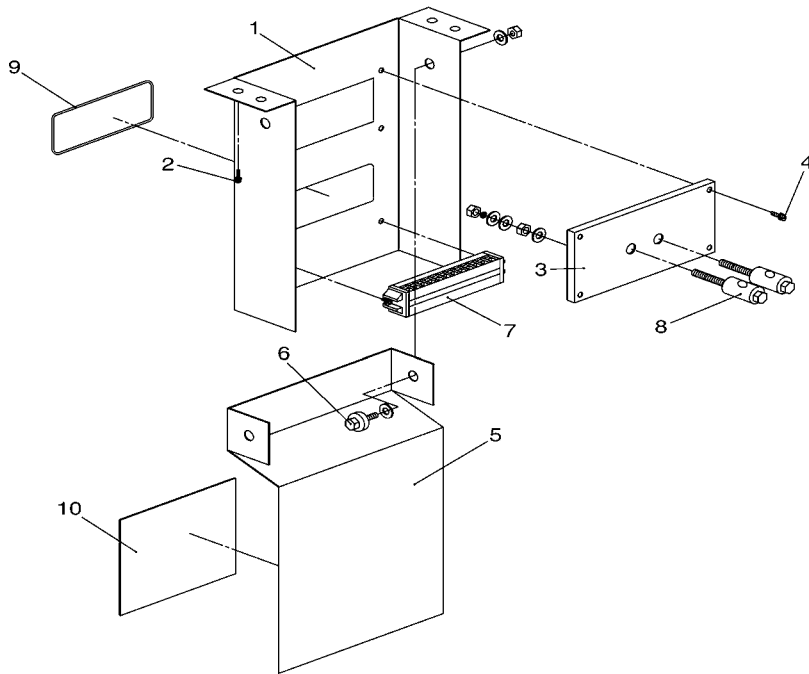


FIG. 30 LABEL

REF. NO.	PART NO.	DESCRIPTION	Q9CF			REMARKS
1	YFT-K4T50-15-90	LABEL SIRIAL	1			UR 220V
	YFT-K4T50-15-91	LABEL SIRIAL	1			UR 120/240V
2	YFT-K4T50-15-77	LABEL TERMINAL	1			UR 220V
	YFT-K4T50-15-78	LABEL TERMINAL	1			UR 120/240V
3	YFT-K4T50-10-42	LABEL,KEY SWITCH	1			
4	YFT-K4E50-10-50	LABEL VR	1			
5	YFT-K4T50-10-43	LABEL,BREAKER	1			
6	YFT-K3T50-15-76	NAME PLATE YAMAHA	1			UR EDL21000E
	YFT-K3T50-15-94	NAME PLATE YAMAHA	1			UR EDL21000DE
7	YFT-K4T50-11-27	LABEL WARNING	1			
8	YFT-K3700-03-10	LABEL,MAINTRNANCE	1			
9	YFT-K4T50-11-30	LABEL CAUTION	1			
10	YFT-K4T50-11-28	LABEL CAUTION	1			
11	YFT-K4T50-11-29	LABEL RADIATOR	1			
12	YFT-K4700-07-40	LABEL,FUEL	1			
13	YFT-K4700-08-10	LABEL EARTH	1			
14	YFT-K3T50-12-91	LABEL DANGER VOLTAGE	1			

FOR 220V

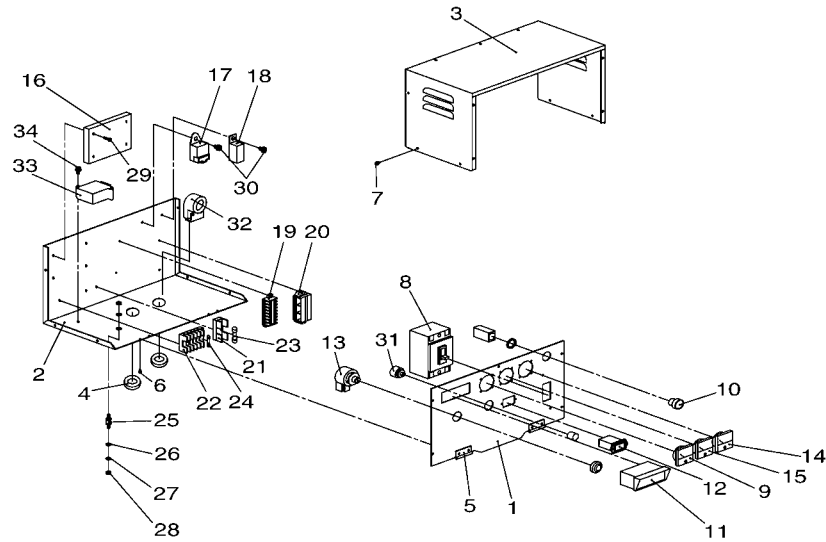
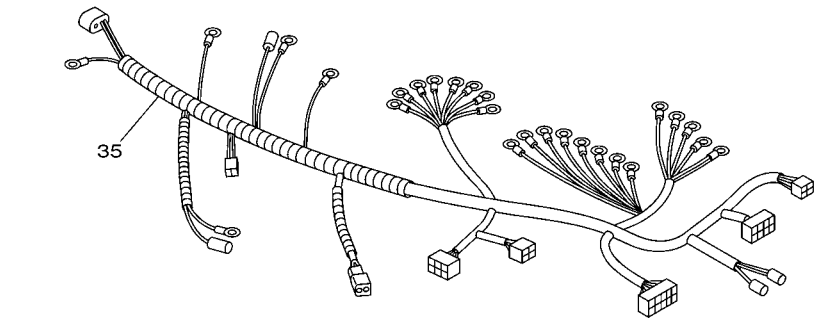


S=0/0

**FIG. 31 ELECTRICAL 2**

REF. NO.	PART NO.	DESCRIPTION	Q9CF				REMARKS
1	YFT-K3T30-35-09	PLATE, TERMINAL	1				
2	YFS-M625S-PW-A6	BOLT	4				
3	YFT-K4T50-15-82	PLATE	1				
4	YFS-M625S-PW-A6	BOLT	4				
5	YFT-K3T30-34-95	COVER	1				
6	YFT-K3T20-14-68	BOLT	2				
7	YFT-KJTP2-01-2P	TERMINAL	1				
8	YFT-K4430-04-20	TERMINAL, ASSY	2				
9	YFT-KG016-L3-38	GUM COVER	1				
10	YFT-K4T50-15-95	SHEET	1				





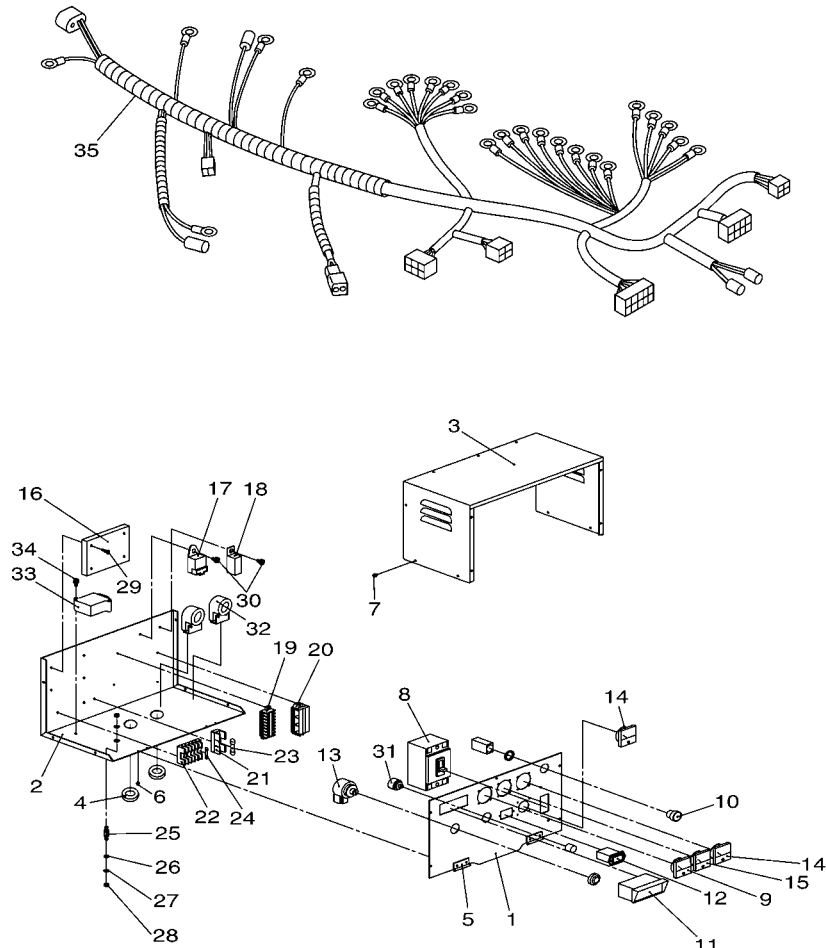
**FWD**  
Q9CE600-F330

**FIG. 33 ELECTRICAL 4**

REF. NO.	PART NO.	DESCRIPTION	Q9CF				REMARKS
1	YFT-K3T30-35-10	PANEL (A)	1				
2	YFT-K3T30-33-18	PANEL (B)	1				
3	YFT-K3T30-32-17	PANEL COVER	1				
4	YFC-30BW3-62	GUM BUSH	2				
5	YFT-KB102-71-30	PLATE	2				
6	YFS-EC36S-PW-G5	SCREW	8				
7	YFS-EC48S-PW-G6	SCREW	14				
8	YFN-Y102A-75-A0	BREAKER	1				220V
9	YFT-RR55C-30-0V	METER	1				
10	YFH-W1P2M-5G	LAMP	1				
11	YF1-74787-02-01	PILOT BOX	1				
12	YFT-K8500-00	HOUR METER	1				
13	YF1-52486-35-92	KEY SWITCH	1				
14	YFT-RS55H-12-0A	METER	1				
15	YFT-RC55F-22-0V	METER	1				
16	YFD-ST51D-FK-V0	AVR	1				
17	YF1-56946-59-92	LAMP TIMER	1				
18	YFT-00703-14-10	TIMER RELAY	1				
19	YFT-KTS21-20-8P	TERMINAL	1				
20	YFT-KUKT1-00-3J	TERMINAL	1				
21	YFT-KF66A-D0	HOLDER,FUSE	1				
22	YFT-KF65B-D0	HOLDER,FUSE	8				
23	YFF-71650-2A-25	FUSE(2A)	1				
24	YFF-71610-1A-25	FUSE(1A)	8				
25	YFT-KKA25-00	CUSHION	4				
26	YFT-K1PWM-05-E5	WASHER	8				
27	YFT-KWMS0-50	WASHER,SPRING	8				







**FWD**  
Q9CE600-F340

**FIG. 34 ELECTRICAL 5**

REF. NO.	PART NO.	DESCRIPTION	Q9CF			REMARKS
1	YFT-K3T30-35	PANEL (A)	1			
2	YFT-K3T30-33-18	PANEL (B)	1			
3	YFT-K3T30-32-17	PANEL COVER	1			
4	YFC-30BW3-62	GUM BUSH	2			
5	YFT-KB102-71-30	PLATE	2			
6	YFS-EC36S-PW-G5	SCREW	8			
7	YFS-EC48S-PW-G6	SCREW	14			
8	YFN-Y102A-75-A0	BREAKER	1			120/240V
9	YFT-RR55C-30-0V	METER	1			
10	YFH-W1P2M-5G	LAMP	1			
11	YF1-74787-02-01	PILOT BOX	1			
12	YFT-K8500-00	HOUR METER	1			
13	YF1-52486-35-92	KEY SWITCH	1			
14	YFT-RS55H-12-0A	METER	2			
15	YFT-RC55F-22-0V	METER	1			
16	YFD-ST51D-FK-V0	AVR	1			
17	YF1-56946-59-92	LAMP TIMER	1			
18	YFT-00703-14-10	TIMER RELAY	1			
19	YFT-KTS21-20-8P	TERMINAL	1			
20	YFT-KUKT1-00-3J	TERMINAL	1			
21	YFT-KF66A-D0	HOLDER,FUSE	1			
22	YFT-KF65B-D0	HOLDER,FUSE	8			
23	YFF-71650-2A-25	FUSE(2A)	1			
24	YFF-71610-1A-25	FUSE(1A)	8			
25	YFT-KKA25-00	CUSHION	4			
26	YFT-K1PWM-05-E5	WASHER	8			
27	YFT-KWMS0-50	WASHER,SPRING	8			



NUMERICAL INDEX

PART NO.	REF. NO.	PART NO.	REF. NO.	PART NO.	REF. NO.	PART NO.	REF. NO.	PART NO.	REF. NO.	PART NO.	REF. NO.
YFT-00703-14-10	33 - 18	YF1-14606-33-90	19 - 12	YF0-48145-03	1 - 25	YF1-55119-66-60	19 - 21	YF1-58419-60-20	1 - 12	YF1-60329-85-90	12 - 14
	34 - 18	YF1-14606-35	19 - 4		6 - 28	YF1-55212-35-30	3 - 31	YF1-58419-66-50	11 - 24	YF1-60401-61-70	5 - 1
YFT-00709-31-60	14 - 11	YF1-14606-35-30	19 - 5	YF0-48145-06	6 - 9	YF1-55212-39-50	3 - 31	YF1-58419-66-60	11 - 26	YF1-60405-20-92	11 - 30
YFT-02701-63-20	14 - 13	YF1-14609-33-10	19 - 17	YF1-49114-27-50	11 - 29	YF1-55212-39-60	3 - 31	YF1-58419-67-60	11 - 7	YF1-60405-21-12	11 - 31
YFT-02709-31-10	14 - 6	YF1-14706-33-80	19 - 11		21 - 4	YF1-55219-36-10	4 - 24	YF1-58529-23-32	17 - 27	YF1-60405-21-22	11 - 31
YFT-02709-31-40	14 - 10	YF0-15135-08-22	16 - 7	YF1-49714-27-50	12 - 19	YF1-55219-60-20	2 - 7	YF1-58629-14-30	11 - 11	YF1-60500-30-40	1 - 3
YFT-02709-31-50	14 - 7	YF0-17545-06-10	10 - 3		21 - 5	YF1-55317-24-02	10 - 4	YF1-58816-40-90	18 - 36	YF1-60502-11-10	3 - 13
YFT-02709-31-70	14 - 9	YF1-19827-24-60	10 - 12	YF0-50120-05-08	2 - 10	YF1-55317-24-10	10 - 5	YF1-58816-41-10	18 - 19	YF1-60502-19-10	3 - 13
YFT-02709-31-90	14 - 12	YF0-20565-00-60	6 - 22	YF0-50120-06-10	2 - 12	YF1-55317-24-22	10 - 7	YF1-58816-41-50	18 - 21	YF1-60515-60-13	5 - 27
YFT-02709-32-20	14 - 14		13 - 3	YF0-50120-08-14	2 - 11	YF1-55317-24-32	10 - 8	YF1-58816-42-60	18 - 29	YF1-60605-10-10	11 - 1
YF0-10235-06-10	4 - 9		17 - 17	YF1-50213-36-60	2 - 20	YF1-55317-24-42	10 - 10	YF1-58816-43-30	18 - 37	YF1-60605-10-60	11 - 19
YF0-10235-06-14	5 - 34	YF0-21765-01	18 - 4	YF1-51084-32-90	13 - 12	YF1-56019-66-50	12 - 17	YF1-58816-47-10	18 - 27	YF1-60605-15-40	11 - 20
YF0-10235-06-16	4 - 28	YF3-23321-63-10	14 - 5	YF1-51084-36-10	13 - 9		17 - 20	YF1-58816-48-01	18 - 23	YF3-62008-27-20	9 - 12
	4 - 35	YF3-23329-31-80	14 - 8	YF1-51084-37-80	13 - 10		17 - 28	YF1-58816-48-10	18 - 25	YF1-62197-32-60	8 - 10
	5 - 11	YF3-23329-32-02	14 - 4	YF1-52210-17-50	1 - 1		17 - 33	YF1-58816-48-50	18 - 33	YF1-62215-44-20	17 - 29
	8 - 5	YF0-27615-00-40	12 - 29	YF1-52210-34-90	2 - 3	YF1-56946-59-90	20 - 5	YF1-58816-49	18 - 34		17 - 34
	17 - 15	YF0-30245-05-10	1 - 21	YF1-52211-17-20	14 - 3	YF1-56946-59-92	33 - 17	YF1-58819-10-40	18 - 41	YF1-62215-62-80	2 - 16
	18 - 8	YF0-30245-05-20	12 - 26	YF1-52213-36-10	2 - 19		34 - 17	YF1-58819-10-50	18 - 43	YF1-62217-32-70	8 - 11
YF0-10235-06-18	5 - 9	YFC-30BW3-62	33 - 4	YF1-52213-37	1 - 13	YF0-57120-05-18	4 - 26	YF1-58819-20-10	18 - 20	YF1-62219-11-22	7 - 2
	15 - 3		34 - 4	YF1-52214-31-70	13 - 6	YF1-58413-90-10	20 - 9	YF1-58819-20-20	18 - 42	YF1-62225-75-11	17 - 9
YF0-10235-06-20	3 - 8	YF3-37807-55-50	20 - 6	YF1-52214-32-10	13 - 8	YF1-58414-25-01	12 - 18	YF1-58819-30-10	18 - 28	YF1-62263-21-10	7 - 5
YF0-10235-06-25	3 - 7	YF1-39639-20-10	19 - 23	YF1-52244-30-10	13 - 5	YF1-58415-10-30	11 - 3	YF1-58819-30-20	18 - 40	YF1-62267-27-02	8 - 1
YF0-10235-06-30	8 - 20	YFT-3T302-69-3R	25 - 7	YF1-52244-32	13 - 7	YF1-58415-10-70	11 - 12	YF1-58819-30-30	18 - 39	YF1-62316-40-60	18 - 31
	15 - 4	YFT-3T302-69-9L	25 - 2	YF1-52248-77-60	13 - 13	YF1-58415-12	11 - 10	YF1-58819-30-40	18 - 38	YF1-62390-40-22	6 - 1
YF0-10235-06-45	6 - 15	YFT-3T302-69-9R	25 - 1	YF1-52313-39-60	2 - 13	YF1-58415-12-30	11 - 4	YF1-59519-66-60	1 - 23	YF1-62397-34-30	8 - 19
YF0-10235-06-55	6 - 17	YFT-3T303-51-3L	25 - 8	YF1-52413-22-90	6 - 3	YF1-58415-12-40	11 - 5	YF1-59529-23-30	1 - 22	YF1-62410-34-50	1 - 9
	8 - 6	YFT-3T303-51-5L	25 - 4	YF1-52486-35-90	20 - 1	YF1-58415-12-50	11 - 13	YF1-60305-10-52	11 - 2	YF1-62410-40-92	3 - 1
YF0-10235-06-85	8 - 21	YFT-3T303-51-5R	25 - 3	YF1-52486-35-92	33 - 13	YF1-58415-12-70	11 - 16	YF1-60305-13-20	11 - 23	YF1-62410-45-40	3 - 2
YF0-10236-06-50	6 - 16	YFT-3T303-51-6L	25 - 6		34 - 13	YF1-58415-12-80	11 - 15	YF1-60325-30-01	12 - 4	YF1-62410-45-60	3 - 10
	15 - 5	YFT-3T303-51-6R	25 - 5	YF1-52486-37-02	20 - 3	YF1-58415-12-90	11 - 17	YF1-60325-31-60	12 - 9	YF1-62410-48-13	3 - 4
YF0-10535-06-18	17 - 19	YF0-40136-00-80	6 - 37	YF1-52610-33-70	1 - 8	YF1-58415-13-50	11 - 25	YF1-60325-31-70	12 - 7	YF1-62410-51-40	1 - 17
YF0-11235-08-16	7 - 6	YF0-40155-01	18 - 5	YF1-52611-33-60	4 - 5	YF1-58415-13-60	12 - 16	YF1-60325-32-30	12 - 6	YF1-62410-51-50	1 - 18
YF0-11235-08-25	19 - 26	YF0-40156-00-80	18 - 7	YF1-52619-11-90	6 - 34	YF1-58415-13-80	11 - 22	YF1-60325-32-80	12 - 10	YF1-62410-53-70	1 - 20
YF0-11235-08-30	18 - 2	YF3-40701-60-30	9 - 6	YF1-52619-20-10	4 - 12	YF1-58415-14-90	11 - 18	YF1-60325-33-50	12 - 8	YF1-62410-55-10	1 - 26
YF0-11235-08-35	8 - 12	YF3-40701-60-70	9 - 4	YF1-52619-40-10	4 - 13	YF1-58415-15-60	11 - 8	YF1-60325-36-10	12 - 12	YF1-62410-55-50	1 - 16
YF0-11236-08-14	1 - 2	YF3-40701-60-90	9 - 5	YF1-52619-60-10	1 - 5	YF1-58415-36-22	12 - 2	YF1-60325-39-01	12 - 1	YF1-62410-55-51	15 - 6
	6 - 36	YF3-41503-45-90	20 - 8		2 - 4	YF1-58415-38-50	12 - 24	YF1-60329-20-30	12 - 5	YF1-62410-56-70	1 - 19
YF0-11735-10-85	18 - 3	YF1-41829-20-30	18 - 44	YF1-52631-23-70	16 - 6	YF1-58415-38-60	12 - 25	YF1-60329-40-40	12 - 11	YF1-62411-18-20	15 - 2
YF1-11736-31-30	19 - 25	YF0-45126-00-60	6 - 23	YF1-53219-62-60	1 - 4	YF1-58417-30-20	2 - 21	YF1-60329-81	12 - 13	YF1-62411-31-10	4 - 1
YF3-12201-41-70	6 - 35		11 - 35	YF1-54011-17-20	14 - 2	YF1-58419-10-40	6 - 18	YF1-60329-85	12 - 14	YF1-62411-32-80	4 - 7
YF0-13111-06-14	17 - 22		13 - 4	YF0-54110-04-20	17 - 5	YF1-58419-15	11 - 33	YF1-60329-85-10	12 - 14	YF1-62411-40-32	4 - 18
YF0-13111-06-20	11 - 32		17 - 18	YF0-54110-04-28	4 - 14	YF1-58419-20-20	17 - 26	YF1-60329-85-20	12 - 14	YF1-62411-42-30	4 - 19
YF1-14606-30-70	19 - 3		17 - 23	YF1-54519-62-70	2 - 2		17 - 31	YF1-60329-85-30	12 - 14	YF1-62411-42-40	4 - 20
YF1-14606-30-80	19 - 2	YF0-45126-01	18 - 6	YF1-54715-79-81	17 - 8	YF1-58419-23-20	11 - 34	YF1-60329-85-40	12 - 14	YF1-62411-42-64	4 - 8
YF1-14606-31-10	19 - 7	YF0-48140-01	17 - 4	YF1-54717-24-40	10 - 9	YF1-58419-23-30	17 - 32	YF1-60329-85-50	12 - 14	YF1-62411-43-10	4 - 17
YF1-14606-31-20	19 - 20	YF0-48140-01-50	6 - 10	YF1-55017-24-70	10 - 11	YF1-58419-31-10	11 - 21	YF1-60329-85-60	12 - 14	YF1-62411-43-50	4 - 10
YF1-14606-32-70	19 - 8	YF0-48140-01-60	7 - 7	YF1-55018-82-10	10 - 6	YF1-58419-40-22	4 - 16	YF1-60329-85-70	12 - 14	YF1-62411-44-10	4 - 11
YF1-14606-33-20	19 - 19	YF0-48141-02-80	3 - 27	YF1-55116-37-60	19 - 15	YF1-58419-45-70	11 - 9	YF1-60329-85-80	12 - 14	YF1-62411-44-30	4 - 15

NUMERICAL INDEX

PART NO.	REF. NO.	PART NO.	REF. NO.	PART NO.	REF. NO.	PART NO.	REF. NO.	PART NO.	REF. NO.	PART NO.	REF. NO.
YF1-62411-45-04	1 - 14	YF1-62415-71-62	17 - 3	YF1-62645-21-40	13 - 2	YF1-62856-30-30	19 - 9	YFE-91513-31-40	1 - 24	YF1-G6427-30-50	8 - 16
YF1-62411-45-20	1 - 15	YF1-62416-44-20	18 - 1	YF1-62645-72-10	17 - 14	YF1-62856-30-40	19 - 6		6 - 27	YF1-G6731-55-51	4 - 21
YF1-62411-45-23	1 - 15	YF1-62417-33-40	8 - 18	YF1-62647-29-20	8 - 4	YF1-62856-32	19 - 10	YF1-92022-35-40	3 - 32	YF1-G6807-28-70	9 - 11
YF1-62411-51-10	4 - 22	YF1-62417-33-50	8 - 7	YF1-62648-31-52	17 - 35	YF1-62856-35-70	19 - 22	YF1-92022-39-70	3 - 32	YF1-G6907-41-20	24 - 5
YF1-62411-62-70	4 - 27	YF1-62417-33-60	8 - 8	YF1-62648-33-42	6 - 26	YF1-62859-20-10	19 - 24	YF1-92022-39-80	3 - 32	YF1-G6960-10-12	2 - 1
YF1-62411-63-20	5 - 10	YF1-62417-33-70	8 - 2	YF1-62659-66-71	7 - 4	YF1-62859-80-50	19 - 14	YF1-92126-31	19 - 16	YF1-G7002-19-81	3 - 18
YF1-62411-65-10	4 - 25	YF1-62417-42-50	10 - 2	YF1-62710-34-50	1 - 10	YF1-62863-37-50	7 - 3	YF1-92129-71-30	19 - 18	YF1-G7002-20-12	3 - 17
YF1-62412-13-10	3 - 15	YF1-62417-42-80	18 - 9	YF1-62711-17-70	15 - 1	YF1-62922-34-90	3 - 30	YF1-92224-32-80	13 - 11	YF1-G8010-51-21	1 - 28
YF1-62412-13-30	3 - 16	YF1-62419-10-20	18 - 10	YF1-62711-32-40	4 - 3	YF1-62922-38-60	3 - 30	YF1-92376-59-10	18 - 14	YF1-G8826-06-03	33 - 33
YF1-62412-21-40	3 - 19	YF1-62419-10-40	6 - 19	YF1-62711-60-10	4 - 23	YF1-62922-38-70	3 - 30	YF0-93188-81-50	1 - 29		34 - 33
YF1-62412-23-10	3 - 20	YF1-62419-14-90	16 - 3	YF1-62712-10-50	3 - 14	YF1-62991-23-60	16 - 2	YF0-93188-90-39	9 - 9	YF1-G9110-52-03	1 - 27
YF1-62412-29-70	3 - 20	YF1-62419-20-20	17 - 12	YF1-62712-10-90	3 - 14	YF1-62991-31-20	4 - 2	YF1-94347-30-14	8 - 9	YFT-K1NM0-5A-50	33 - 28
YF1-62412-29-80	3 - 20	YF1-62419-23-30	5 - 7	YF1-62712-40-10	4 - 29	YF1-62995-62-60	5 - 33	YF1-94845-54-40	5 - 19		34 - 28
YF1-62412-30-14	3 - 21	YF1-62419-31-20	6 - 13	YF1-62712-49-80	4 - 30	YF1-63569-70-11	18 - 11	YF1-94937-41-10	10 - 1	YFT-K1NM0-6A-50	22 - 14
YF1-62412-32-50	3 - 26	YF1-62419-40-20	17 - 11	YF1-62713-20-92	6 - 29	YF6-64366-40-20	18 - 26	YF0-96614-06-50	21 - 3		24 - 8
YF1-62412-32-80	3 - 25	YF1-62419-52-30	5 - 8	YF1-62714-25-02	12 - 15	YF6-64366-40-40	18 - 22	YF0-96618-02	21 - 1		25 - 15
YF1-62412-34-70	3 - 28	YF1-62419-56-90	11 - 27	YF1-62715-12-20	11 - 6	YF3-66022-32-40	6 - 38	YF0-96618-04-50	21 - 2		29 - 3
YF1-62412-34-80	3 - 29	YF1-62419-60-10	2 - 6	YF1-62715-14-30	11 - 14	YF1-66161-16-20	14 - 1	YFE-BM200-00	26 - 6	YFT-K1NM0-8A-50	23 - 3
YF1-62412-39-10	3 - 28	YF1-62419-62-62	2 - 15	YF1-62715-37-12	12 - 20	YF1-66316-58-40	18 - 13	YF1-C0101-31-50	4 - 6		23 - 8
YF1-62412-39-20	3 - 28	YF1-62459-15-30	6 - 21	YF1-62715-37-22	12 - 21	YF1-66526-43-10	18 - 35	YF1-C0106-58-30	18 - 15		27 - 7
YF1-62412-39-30	3 - 29	YF1-62459-15-40	6 - 25	YF1-62715-37-32	12 - 22	YF1-66526-47-70	18 - 24	YF1-C0106-58-80	18 - 16	YFT-K1NM1-0A-50	28 - 5
YF1-62412-39-40	3 - 29		17 - 16	YF1-62715-37-42	12 - 23	YF1-66526-47-80	18 - 30	YF1-C0106-59-10	18 - 17	YFT-K1NM1-2A-50	23 - 16
YF1-62412-41-10	3 - 22	YF1-62517-30-34	8 - 13	YF1-62715-53-13	5 - 13	YF1-66786-42-30	18 - 32	YF6-C0405-54-12	20 - 2	YFT-K1PWM-05-E5	33 - 26
YF1-62412-42-50	4 - 34	YF1-62590-42-10	6 - 24	YF1-62715-53-50	2 - 18	YF1-66786-58-30	18 - 12	YF1-E0230-10-17	2 - 1		34 - 26
YF1-62412-43-20	4 - 33	YF1-62590-55-81	1 - 30	YF1-62715-54-10	5 - 23	YF1-66839-60-20	2 - 5	YFS-EC36S-PW-G5	33 - 6	YFT-K1PWM-06-E5	22 - 13
YF1-62412-43-60	4 - 31	YF1-62591-17-73	15 - 1	YF1-62715-60-24	17 - 6	YF1-69201-24-10	16 - 8		34 - 6		24 - 7
YF1-62412-43-70	4 - 32	YF1-62593-28-82	6 - 7	YF1-62715-71-52	17 - 2	YF1-69201-24-30	16 - 9	YFS-EC42S-SP-G5	33 - 29	YFT-K1PWM-08-E5	23 - 5
YF1-62412-51-60	6 - 32	YF1-62593-29-02	6 - 8	YF1-62715-77-20	17 - 13	YFF-71610-1A-25	33 - 24		34 - 29		23 - 10
YF1-62413-36-50	2 - 14	YF1-62593-51-32	6 - 12	YF1-62715-77-21	17 - 7		34 - 24	YFS-EC48S-PW-G6	33 - 7	YFT-K1PWM-10-E5	23 - 14
YF1-62413-50-70	6 - 11	YF1-62595-40-90	17 - 24	YF1-62715-77-40	17 - 10	YFF-71650-2A-25	33 - 23		34 - 7		28 - 4
YF1-62413-56-30	3 - 24	YF1-62595-41-02	17 - 25	YF1-62716-55-60	12 - 28		34 - 23	YFS-EC516-SP-G5	26 - 8		29 - 14
YF1-62413-69-30	6 - 5	YF1-62597-35-12	8 - 17	YF1-62719-20-10	16 - 4	YF1-72037-28-60	9 - 10	YFS-EC615-SP-G5	33 - 30	YFT-K3700-03-10	30 - 8
YF1-62413-69-50	6 - 4	YF1-62597-35-20	8 - 14	YF1-62719-52-30	3 - 23	YF1-72086-00-10	17 - 21		34 - 30	YFT-K3T10-33-37	33 - 35
YF1-62414-20-10	11 - 28	YF1-62597-35-52	8 - 15	YF1-62719-61-60	2 - 9	YF1-72150-46-10	6 - 33	YFS-EC640-SP-G5	33 - 34		34 - 35
YF1-62415-11-13	5 - 5	YF1-62599-10-40	6 - 20	YF1-62725-11-51	5 - 4	YF1-73317-33-42	1 - 16		34 - 34	YFT-K3T20-10-65	22 - 17
YF1-62415-11-90	5 - 6	YF1-62610-40-40	3 - 9	YF1-62816-55-11	12 - 27	YF1-73919-61-60	2 - 8	YF1-G0315-42-10	17 - 31	YFT-K3T20-14-68	31 - 6
YF1-62415-41-20	17 - 30	YF1-62610-40-50	3 - 11	YF1-62820-40-60	3 - 12	YF1-74563-64-10	7 - 8	YF1-G0320-55-11	1 - 26		32 - 6
YF1-62415-50-62	5 - 17	YF1-62611-33-31	4 - 4	YF1-62825-50-13	5 - 12	YF1-74563-64-20	7 - 9	YF1-G0325-61-31	5 - 28	YFT-K3T20-16-82	27 - 9
YF1-62415-52-60	5 - 18	YF1-62611-35-41	1 - 6	YF1-62825-53-20	5 - 15	YF1-74787-02-01	20 - 7	YF1-G0325-61-51	5 - 31	YFT-K3T30-17-19	22 - 10
YF1-62415-52-70	5 - 16	YF1-62611-35-61	1 - 7	YF1-62829-60-10	2 - 17		33 - 11	YF1-G0325-64-71	5 - 29	YFT-K3T30-18-86	22 - 1
YF1-62415-53-92	5 - 14	YF1-62616-38-22	6 - 31	YF1-62850-15	7 - 1		34 - 11	YF1-G0655-36-11	12 - 12	YFT-K3T30-26-95	24 - 3
YF1-62415-54-50	5 - 20	YF1-62619-60-21	6 - 2	YF1-62850-44-61	3 - 5	YF1-75385-11-50	5 - 4	YF1-G0655-39-01	12 - 1	YFT-K3T30-26-96	25 - 9
YF1-62415-54-63	5 - 21	YF1-62619-73-01	5 - 2	YF1-62851-23-10	16 - 1	YF1-75388-30-40	8 - 3	YF1-G0721-45-06	1 - 14	YFT-K3T30-27-68	27 - 5
YF1-62415-55-54	5 - 24	YF1-62619-73-11	5 - 3	YF1-62855-20-32	13 - 1	YF1-75801-60-60	9 - 2	YF1-G0740-30-43	1 - 3	YFT-K3T30-32-17	33 - 3
YF1-62415-62-10	5 - 35	YF1-62619-73-21	5 - 22	YF1-62855-64-12	5 - 26	YF0-77150-02-01	6 - 6	YF1-G0780-33-11	1 - 11		34 - 3
YF1-62415-62-50	5 - 32	YF1-62640-41-30	6 - 14	YF1-62855-64-80	5 - 25	YF1-89013-02-70	21 - 6	YF1-G3477-20-60	9 - 1	YFT-K3T30-32-21	23 - 1
YF1-62415-63-30	5 - 30	YF1-62640-43-60	3 - 3	YF1-62856-30-10	19 - 1		26 - 2	YF1-G3477-23-30	9 - 3	YFT-K3T30-33-18	33 - 2
YF1-62415-63-40	5 - 36	YF1-62640-48-20	3 - 6	YF1-62856-30-20	19 - 13	YF1-90775-36-50	12 - 3	YF1-G5133-65-50	7 - 10		34 - 2

NUMERICAL INDEX

PART NO.	REF. NO.	PART NO.	REF. NO.	PART NO.	REF. NO.	PART NO.	REF. NO.	PART NO.	REF. NO.	PART NO.	REF. NO.
YFT-K3T30-34-95	31 - 5	YF1-K5915-70-15	17 - 1	YFS-M615S-PW-A5	24 - 6						
	32 - 5	YFT-K8500-00	33 - 12	YFS-M625S-PW-A6	31 - 2						
YFT-K3T30-34-99	27 - 1		34 - 12		31 - 4						
YFT-K3T30-35	34 - 1	YFT-KB102-71-30	33 - 5		32 - 2						
YFT-K3T30-35-09	31 - 1		34 - 5		32 - 4						
	32 - 1	YFT-KBM06-35-A5	22 - 5	YFS-M816S-PW-A6	25 - 11						
YFT-K3T30-35-10	33 - 1		22 - 11		25 - 12						
YFT-K3T30-35-18	26 - 1	YFT-KBM08-20-C5	22 - 19		25 - 13						
YFT-K3T50-12-24	26 - 7	YFT-KBM08-30-A5	22 - 2	YFS-M820S-PW-A6	24 - 2						
YFT-K3T50-12-91	30 - 14	YFT-KBM12-65-A5	23 - 15		24 - 4						
YFT-K3T50-15-76	30 - 6	YFT-KF65B-D0	33 - 22		25 - 10						
YFT-K3T50-15-94	30 - 6		34 - 22		25 - 17						
YFT-K4430-04-20	31 - 8	YFT-KF66A-D0	33 - 21		26 - 4						
	32 - 8		34 - 21		27 - 2						
YFT-K4440-00-26	29 - 2	YFT-KG016-L3-38	31 - 9		27 - 3						
YFT-K4440-00-9B	29 - 7		32 - 9		27 - 8						
YFT-K4440-00-9R	29 - 9	YFT-KJTP2-01-2P	31 - 7	YFB-M825A-SS-Y0	29 - 11						
YFT-K4700-07-40	30 - 12		32 - 7	YFW-P5W2K-00	33 - 31						
YFT-K4700-08-10	30 - 13	YFT-KKA25-00	33 - 25		34 - 31						
YFT-K4E50-10-50	30 - 4		34 - 25	YFT-RC55F-22-0V	33 - 15						
YFT-K4T30-20-93	29 - 1	YFT-KKA45-00	23 - 2		34 - 15						
YFT-K4T30-27	27 - 4		23 - 7	YFT-RR55C-30-0V	33 - 9						
YFT-K4T30-27-71	24 - 1	YFT-KM516-63-4C	29 - 5		34 - 9						
YFT-K4T30-27-72	27 - 6	YFS-KMT15-0V-S0	28 - 1	YFT-RS55H-12-0A	33 - 14						
YFT-K4T30-28-53	23 - 6	YFT-KNO63-06-ZZ	22 - 16		34 - 14						
	23 - 11	YFT-KTS21-20-8P	33 - 19	YFD-ST51D-FK-V0	33 - 16						
YFT-K4T30-35-19	25 - 16		34 - 19		34 - 16						
YFT-K4T50-10-42	30 - 3	YFT-KUKT1-00-3J	33 - 20	YF3-T1031-21-01	29 - 8						
YFT-K4T50-10-43	30 - 5		34 - 20	YF3-T1031-21-02	29 - 6						
YFT-K4T50-11-27	30 - 7	YFT-KWMS0-50	33 - 27	YF3-T1031-21-03	29 - 10						
YFT-K4T50-11-28	30 - 10		34 - 27	YFC-T2MR1-20-5A	33 - 32						
YFT-K4T50-11-29	30 - 11	YFT-KWMS0-60	22 - 6		34 - 32						
YFT-K4T50-11-30	30 - 9		22 - 12	YFS-TM150-VS-W3	28 - 2						
YFT-K4T50-15-69	32 - 3	YFT-KWMS0-80	22 - 3	YFK-TWMS0-60	29 - 4						
YFT-K4T50-15-77	30 - 2		22 - 20	YFH-W1P2M-5G	33 - 10						
YFT-K4T50-15-78	30 - 2		23 - 4		34 - 10						
YFT-K4T50-15-82	31 - 3		23 - 9	YFT-WKC00-49-ST	22 - 4						
YFT-K4T50-15-90	30 - 1	YFT-KWMS1-00	22 - 9	YFT-WKC01-23-RT	22 - 15						
YFT-K4T50-15-91	30 - 1		23 - 13	YFT-WKC01-23-ST	22 - 7						
YFT-K4T50-15-95	31 - 10		29 - 13	YFT-WKC01-26-ST	22 - 7						
	32 - 10	YFS-M0615-SP-A5	22 - 18	YFN-Y102A-75-A0	33 - 8						
YF1-K5227-28-50	9 - 7	YFB-M1020-C5-12	29 - 12		34 - 8						
YF1-K5227-29-40	9 - 8	YFB-M1025-B5-12	22 - 8	YFT-Y9901-00-0A	26 - 3						
YF1-K5521-21-11	16 - 5		23 - 12								
YF1-K5522-50-10	6 - 30	YFS-M1025-SP-A5	28 - 3								
YF1-K5746-02-20	20 - 4	YFS-M1030-SP-A6	26 - 5								
YF1-K5746-40-15	18 - 18	YFS-M515S-PW-A6	27 - 10								
YF1-K5746-46-04	18 - 45	YFS-M614S-PW-A6	25 - 14								