



PARTS CATALOGUE

EDL2600TE (Q9C3) OTHERS



1F9C3-600E1

()

2009-1-26

NEWS NO.	DATE	COMMENT
PE0-GE-080005	JAN.,26,2009	EDL2600TE(Q9C3) PARTS CATALOGUE CORRECTIONS

EDL2600TE
PARTS CATALOGUE
©2007 by Yamaha Motor Co., Ltd.
1st edition, June 2007
All rights reserved.
Any reprinting or unauthorized use
without the written permission of
Yamaha Motor Co., Ltd.
is expressly prohibited.
Printed in Japan.

FOREWORD

This Parts Catalogue is related to the parts for the model(s) on the cover page. When you are ordering replacement parts, please refer to this Parts Catalogue and quote both part numbers and part names correctly.

1. Modifications or additions which have been made after the issue of the Parts Catalogue will be announced in the Parts News.

It is advisable that you make the necessary corrections to the Parts Catalogue according to the Parts News.

2. Abbreviations

The following abbreviations are used in this Parts Catalogue.

“UR” Use specified parts number.

“UN” Use as many as needed.

“AP” Alternate Parts

“LM” Locally Made (Parts need to be ordered locally)

“F#” Frame No. (Applicable machine No.)

“O/S” Over Size

3. The number of components for assembly

- Parts, which are to be supplied in an assembly, are listed with a dot (.) in front of the part name as shown below.
- The numeral appearing to the right of each component part indicates the quantity of parts for each assembly unit.

PART NO.	DESCRIPTION	Q'TY	REMARKS
2F5-83310-60	FRONT FLASHER LIGHT ASSY	2	
115-83311-60	.BULB (6V-18W)	1	

4. Applicable colours of graphics are represented in the “REMARKS” as shown below.

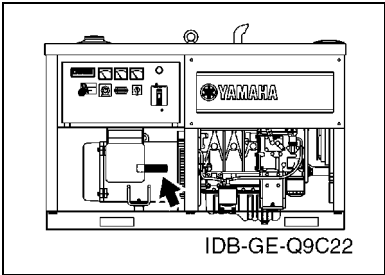
PART NO.	DESCRIPTION	Q'TY	REMARKS
2N4-24110-00-X5	FUEL TANK COMP.	2	MXR
3J1-24240-10	.GRAPHIC, FUEL TANK	1	FOR MXR

5. Note that the illustrations for reference in finding parts numbers are not to be used for assembling. When assembling, please use the applicable service manual.

6. The asterisk (*) before a reference number indicates modified items after the first edition.

FOREWORD

7. Applicable Serial No.
 Frame Serial No.



8. Applicable Colour Code (The (*) mark shows Model colour.)

Abbreviation	Colour Name	Colour Code

9. Applicable Starting Serial No.
 *****Serial NO.

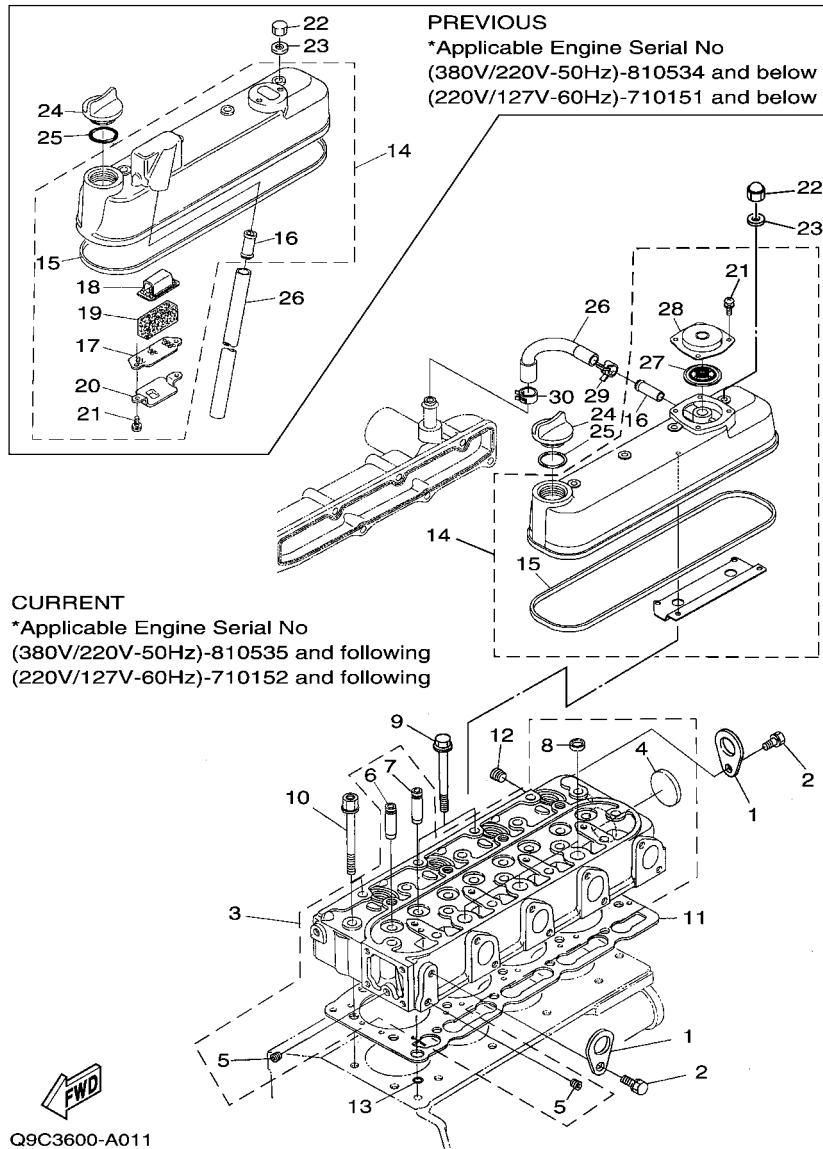
Model	Model Code	Destination	Voltage	Serial NO.
EDL26000TE	Q9C3	OTHERS	380V/220V-50Hz	Q9C3-800101
EDL26000TE	Q9C3	OTHERS	220V/127V-60Hz	Q9C3-700101

CONTENTS

CYLINDER HEAD	1
CYLINDER BLOCK	3
PISTON & CRANKSHAFT	4
VALVE SYSTEM	6
GOVERNOR	8
TIMING GEAR CASE	10
LUBRICATION 1	12
COOLING SYSTEM	13
RADIATOR & HOSE	14
RESERVE TANK	15
INJECTION PUMP	16
INJECTION NOZZLE	18
FUEL SYSTEM 2	20
AIR CLEANER	21
INTAKE	22
EXHAUST 1	23
CONTROL UNIT	24
GENERATOR	26
STARTING MOTOR	28
ELECTRICAL	29
ALTERNATE 1	30
GENERATOR 1	31
ENGINE MOUNT	32
FRAME	33
COVER	34
PANEL & COVER	35
FUEL TANK	36
FRAME 2	37
FRAME 3	38
LABEL	39
FRAME 4	40
ELECTRICAL 1	41

INDEX

NUMERICAL INDEX	43
-----------------------	----



Q9C3600-A011

FIG. 1 CYLINDER HEAD

REF. NO.	PART NO.	DESCRIPTION	Q9C3				REMARKS
1	YF1-52210-17-50	HOOK,ENGINE	2				
2	YF0-11236-08-14	BOLT	2				
3	YF1-60500-30-40	CYLINDER HEAD COMP.	1				PREVIOUS
	YF1-G0740-30-43	CYLINDER HEAD COMP.	1				CURRENT
4	YF1-53219-62-60	.PLUG,EXPANSION	1				
5	YF1-52619-60-10	.PLUG	2				
6	YF1-62611-35-41	.INLET VALVE GUIDE	4				
7	YF1-62611-35-61	.EXHAUST VALVE GUIDE	4				
8	YF1-52610-33-70	.PLUG,EXPANSION	3				
9	YF1-62410-34-50	HEAD BOLT	16				
10	YF1-62710-34-50	HEAD BOLT	2				
11	YF1-G0780-33-11	HEAD GASKET	1				
12	YF1-58419-60-20	PLUG	1				
13	YF1-52213-37	O-RING	1				
14	YF1-62411-45-04	HEAD COVER ASSY	1				PREVIOUS
	YF1-G0721-45-06	HEAD COVER ASSY	1				CURRENT
15	YF1-62411-45-20	.PACKING(HEAD COVER)NA	1				PREVIOUS
	YF1-62411-45-23	.GASKET,HEAD COVER	1				CURRENT
16	YF1-62410-55-50	.BREATHER PIPE FRANGE	1				PREVIOUS
	YF1-73317-33-42	.PIPE,WATER RETURN	1				CURRENT
17	YF1-62410-51-40	.BREATHER ELEMENT PLATE 1	1				PREVIOUS
18	YF1-62410-51-50	.BREATHER ELEMENT PLATE 2	1				PREVIOUS
19	YF1-62410-56-70	.BREATHER ELEMENT	1				PREVIOUS
20	YF1-62410-53-70	.BREATHER OIL SHIELD	1				PREVIOUS
21	YF0-30245-05-10	.SCREW,WITH WASHER	4				CURRENT
22	YF1-59529-23-30	NUT,CROWN	4				
23	YF1-59519-66-60	PACKINNG	4				

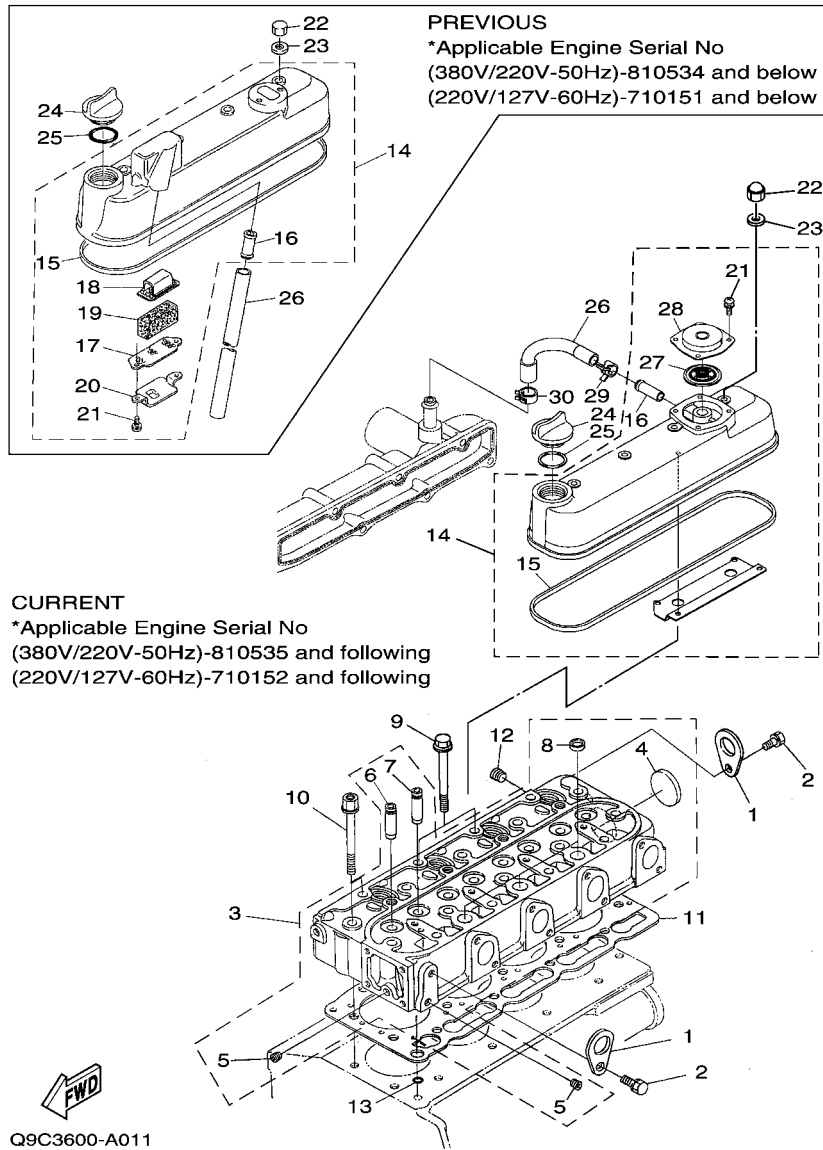
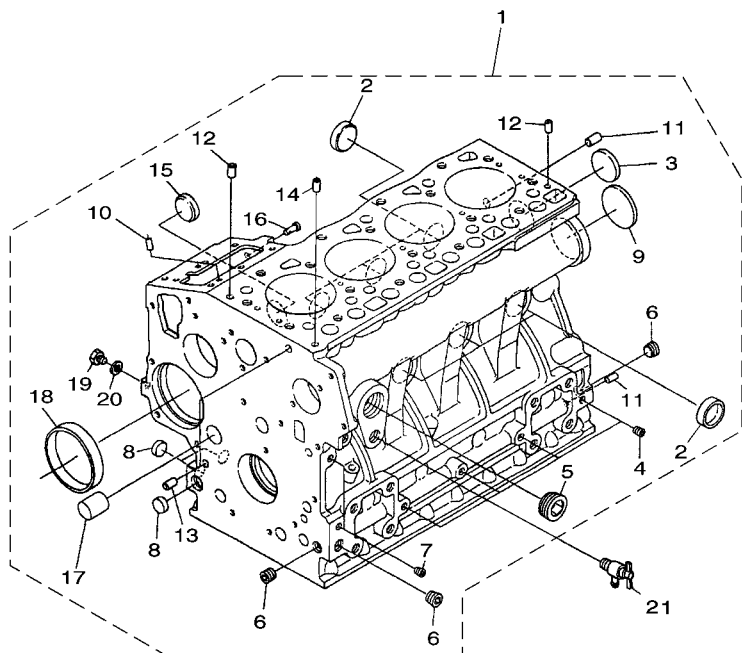


FIG. 1 CYLINDER HEAD

REF. NO.	PART NO.	DESCRIPTION	Q9C3				REMARKS
24	YFE-91513-31-40	PLUG(FUEL FEED)	1				
25	YF0-48145-03	O-RING	1				
26	YF1-62410-55-10	BREATHER PIPE	1				PREVIOUS
	YF1-G0320-55-11	BREATHER PIPE	1				CURRENT
27	YF1-G9110-52-03	.BREATHER VALVE COMP.	1				CURRENT
28	YF1-G8010-51-21	.COVER,BREATHER	1				CURRENT
29	YF0-93188-81-50	CLAMP,HOSE	1				CURRENT
30	YF1-62590-55-81	CLAMP,HOSE	1				CURRENT

FIG. 2 CYLINDER BLOCK

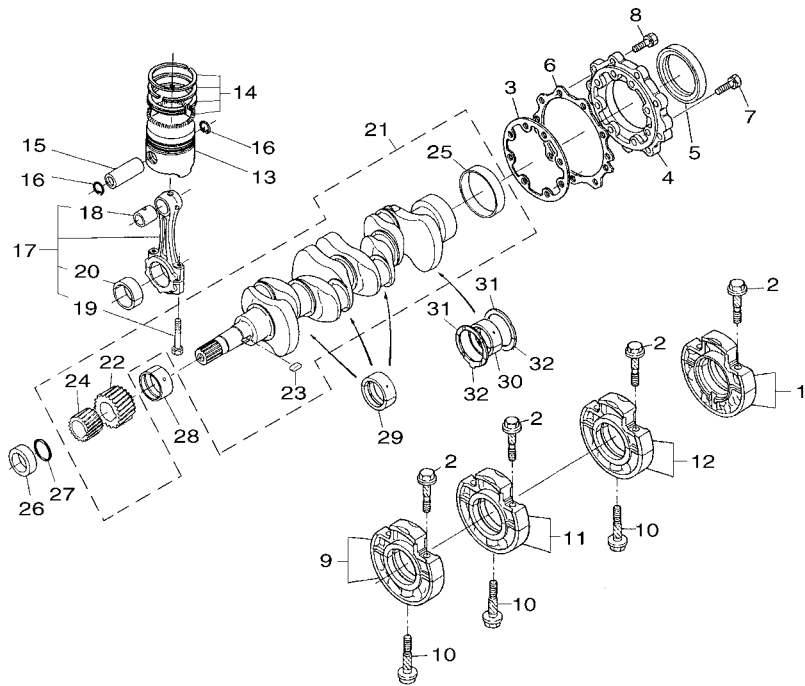


CURRENT
 *Applicable Engine Serial No
 (380V/220V-50Hz)-810535 and following
 (220V/127V-60Hz)-710152 and following



Q9C3600-F020

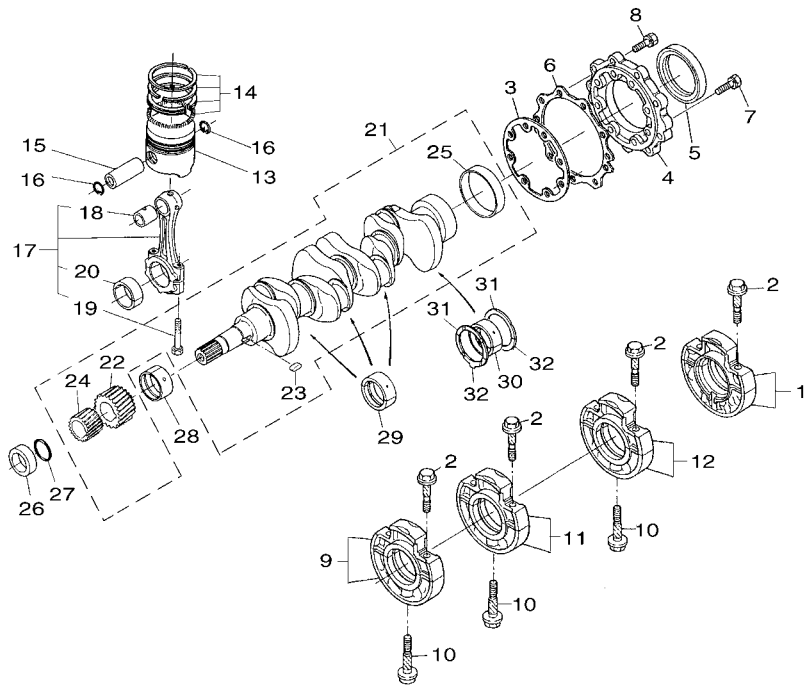
REF. NO.	PART NO.	DESCRIPTION	Q9C3				REMARKS
1	YF1-E0230-10-17	CRANKCASE COMP	1				PREVIOUS
	YF1-G6960-10-12	CRANKCASE COMP.	1				CURRENT
2	YF1-54519-62-70	.PLUG,EXPANSION	6				
3	YF1-52210-34-90	.PLUG,EXPANSION	1				
4	YF1-52619-60-10	.PLUG	4				
5	YF1-66839-60-20	.PLUG(P.T1)	1				
6	YF1-62419-60-10	.PLUG	3				
7	YF1-55219-60-20	.PLUG	2				
8	YF1-73919-61-60	.PLUG	3				
9	YF1-62719-61-60	.PLUG	1				
10	YF0-50120-05-08	.PIN	2				
11	YF0-50120-08-14	.PIN	2				
12	YF0-50120-06-10	.PIN,STRIGHT(6-10)	2				
13	YF1-52313-39-60	.PIN,PIPE	2				
14	YF1-62413-36-50	.PIN,PIPE	1				
15	YF1-62419-62-62	.PLUG(FUEL CAMSHAFT)	1				
16	YF1-62215-62-80	.PIN(START SPRING)	1				
17	YF1-62829-60-10	.PLUG	1				
18	YF1-62715-53-50	.GOVERNOR GEAR BUSH	1				
19	YF1-52213-36-10	.PLUG	1				
20	YF1-50213-36-60	.PACKING	1				
21	YF1-58417-30-20	DRAIN COCK ASSY	1				




 Q9CF600-F030

FIG. 3 PISTON & CRANKSHAFT

REF. NO.	PART NO.	DESCRIPTION	Q9C3				REMARKS
1	YF1-62410-40-92	MAIN BEARING CASE ASSY. WHEEL	1				
2	YF1-62410-45-40	BEARING CASE BOLT 1	8				
3	YF1-62640-43-60	GASKET(BRG.CASE NA)	1				
4	YF1-62410-48-13	COVER(BEARING CASE)	1				
5	YF1-62850-44-61	OIL SEAL	1				
6	YF1-62640-48-20	GASKET(CASE COVER NA)	1				
7	YF0-10235-06-25	BOLT	8				
8	YF0-10235-06-20	BOLT	9				
9	YF1-62610-40-40	MAIN BEARING CASE ASSY. 1	1				
10	YF1-62410-45-60	BEARING CASE BOLT 2	3				
11	YF1-62610-40-50	MAIN BEARING CASE ASSY. 2	1				
12	YF1-62820-40-60	MAIN BEARING CASE ASSY. 3	1				
13	YF1-60502-11-10	PISTON	4				AP
	YF1-60502-19-10	PISTON 05	4				
14	YF1-62712-10-50	PISTON RING ASSY.	4				
	YF1-62712-10-90	PISTON RING ASSY. 05	4				AP
15	YF1-62412-13-10	PISTON PIN	4				
16	YF1-62412-13-30	CIRCLIP,PISTON PIN	8				
17	YF1-G7002-20-12	CONNECTING ROD ASSY	4				
18	YF1-G7002-19-81	.PISTON PIN BUSH	4				
19	YF1-62412-21-40	.ROD BOLT	8				
20	YF1-62412-23-10	.CRANK PIN METAL	4				
	YF1-62412-29-70	.CRANK PIN METAL 02	4				AP
	YF1-62412-29-80	.CRANK PIN METAL 04	4				AP
21	YF1-62412-30-14	CRANKSHAFT COMP.	1				
22	YF1-62412-41-10	.CRANK GEAR	1				
23	YF1-62719-52-30	.KEY	1				



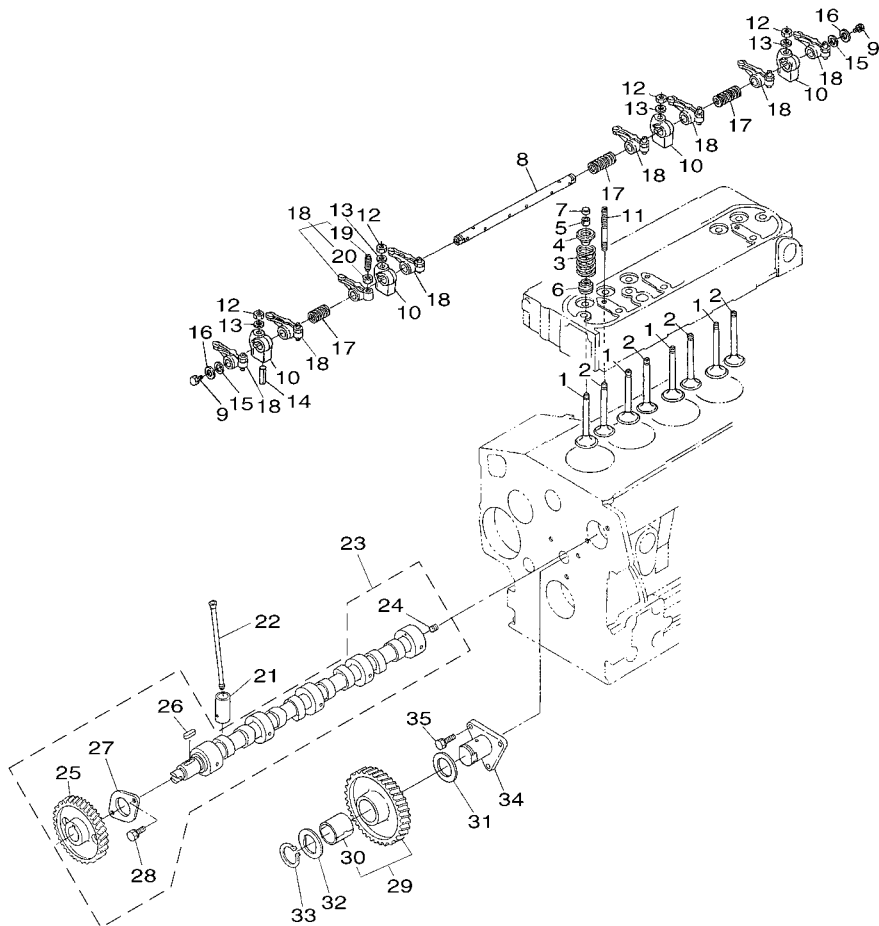
Q9CF600-F030

FIG. 3 PISTON & CRANKSHAFT

REF. NO.	PART NO.	DESCRIPTION	Q9C3				REMARKS
24	YF1-62413-56-30	.OIL PUMP DRIVE GEAR	1				
25	YF1-62412-32-80	.SLEEVE, CRANK SHAFT	1				
26	YF1-62412-32-50	COLLAR, CRANK SHAFT	1				
27	YF0-48141-02-80	O-RING	1				
28	YF1-62412-34-70	CRANK SHAFT METAL 1	1				
	YF1-62412-39-10	CRANK SHAFT METAL 1 02	1				AP
	YF1-62412-39-20	CRANK SHAFT METAL 1 04	1				AP
29	YF1-62412-34-80	CRANK SHAFT METAL 2	3				
	YF1-62412-39-30	CRANK SHAFT METAL 2 02	3				AP
	YF1-62412-39-40	CRANK SHAFT METAL 2 04	3				AP
30	YF1-62922-34-90	CRANK SHAFT METAL 3	1				
	YF1-62922-38-60	CRANK SHAFT METAL 3 02	1				AP
	YF1-62922-38-70	CRANK SHAFT METAL 3 04	1				AP
31	YF1-55212-35-30	SIDE METAL 1	2				
	YF1-55212-39-50	SIDE METAL 1 02	2				AP
	YF1-55212-39-60	SIDE METAL 1 04	2				AP
32	YF1-92022-35-40	SIDE METAL 2	2				
	YF1-92022-39-70	SIDE METAL 2 02	2				AP
	YF1-92022-39-80	SIDE METAL 2 04	2				AP

FIG. 4 VALVE SYSTEM

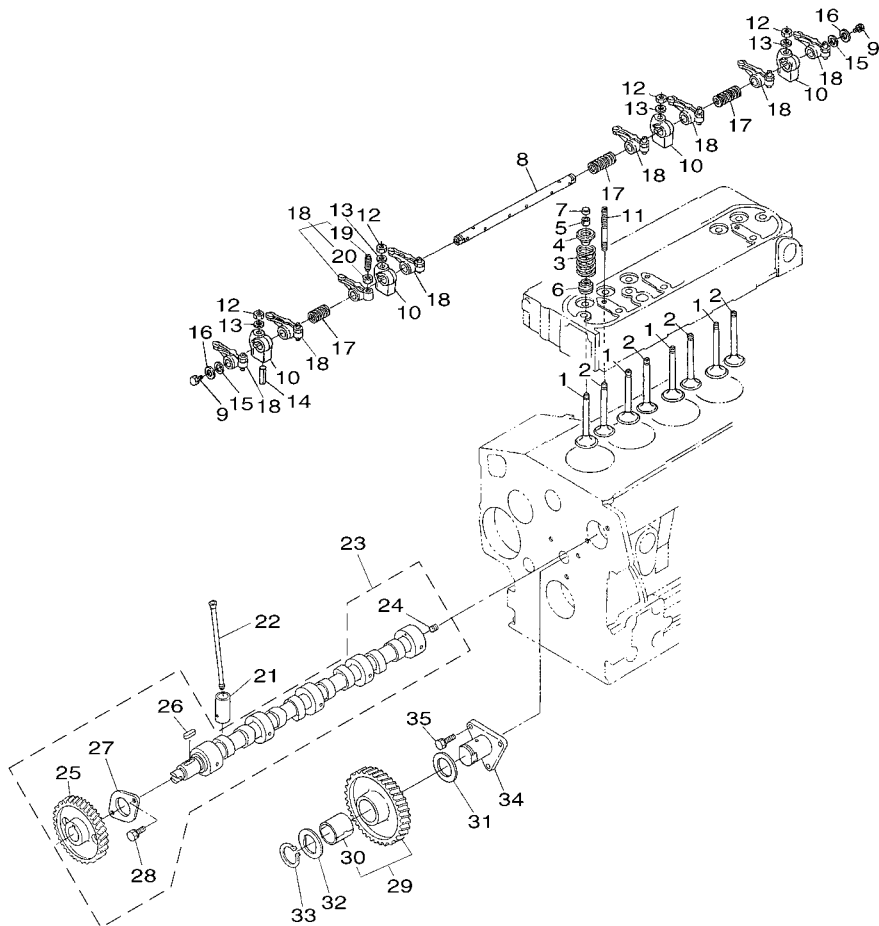
REF. NO.	PART NO.	DESCRIPTION	Q9C3				REMARKS
1	YF1-62411-31-10	INLET VALVE	4				
2	YF1-62991-31-20	EXHAUST VALVE	4				
3	YF1-62711-32-40	VALVE SPRING	8				
4	YF1-62611-33-31	RETAINER, VALVE SPR.	8				
5	YF1-52611-33-60	COLLET, VALVE SP.(EDL6500)	8				
6	YF1-C0101-31-50	SEAL (VALVE STEM)	8				
7	YF1-62411-32-80	CAP (EDL6500)	8				
8	YF1-62411-42-64	SHAFT,ROCKER ARM	1				
9	YF0-10235-06-10	BOLT	2				
10	YF1-62411-43-50	BRACKET,ROCKER ARM	4				
11	YF1-62411-44-10	STUD	4				
12	YF1-52619-20-10	NUT (EDL6500)	4				
13	YF1-52619-40-10	WASHER, PLAIN (EDL6500)	4				
14	YF0-54110-04-28	SPRING PIN	1				
15	YF1-62411-44-30	WASHER,ROCKER ARM 1	2				
16	YF1-58419-40-22	WASHER,PLATE	2				
17	YF1-62411-43-10	SPRING,ROCKER ARM	3				
18	YF1-62411-40-32	ROCKER ARM ASSY	8				
19	YF1-62411-42-30	.ADJUSTING SCREW	8				
20	YF1-62411-42-40	.NUT	8				
21	YF1-G6731-55-51	TAPPET	8				
22	YF1-62411-51-10	PUSH ROD	8				
23	YF1-62711-60-10	CAMSHAFT ASSY	1				
24	YF1-55219-36-10	.SCREW,SET	1				
25	YF1-62411-65-10	.CAM GEAR	1				
26	YF0-57120-05-18	.KEY	1				
27	YF1-62411-62-70	.STOPPER,CAMSHAFT	1				




Q9C3600-A040

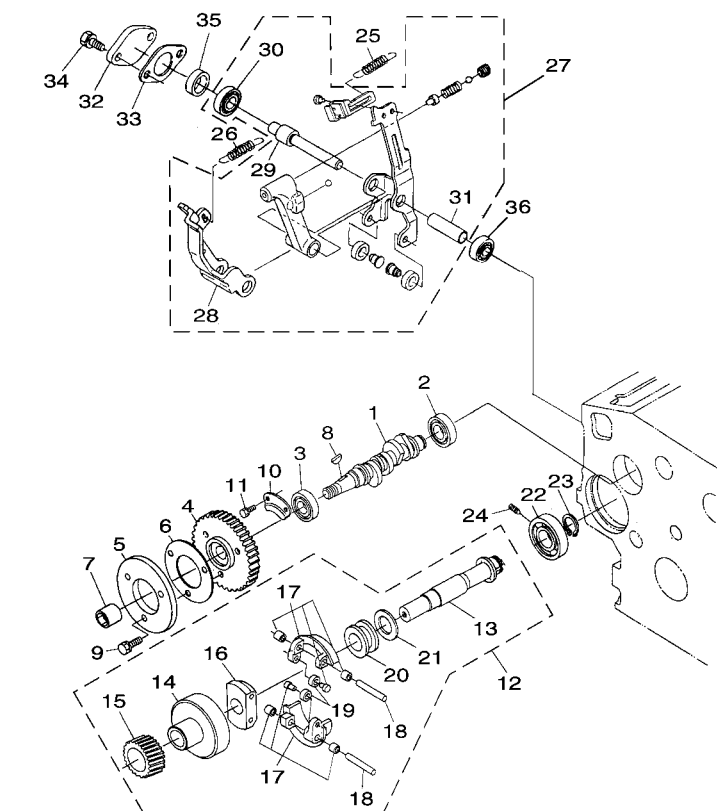
FIG. 4 VALVE SYSTEM

REF. NO.	PART NO.	DESCRIPTION	Q9C3				REMARKS
28	YF0-10235-06-16	.BOLT	2				
29	YF1-62712-40-10	IDLE GEAR COMP. 1	1				
30	YF1-62712-49-80	.IDLE GEAR BUSH 03	1				
31	YF1-62412-43-60	IDLE GEAR COLLAR 1	1				
32	YF1-62412-43-70	IDLE GEAR COLLAR 2	1				
33	YF1-62412-43-20	CIRCLIP, IDLE GEAR	1				
34	YF1-62412-42-50	IDLE GEAR SHAFT 1	1				
35	YF0-10235-06-16	BOLT	3				



Q9C3600-A040

FIG. 5 GOVERNOR



CURRENT

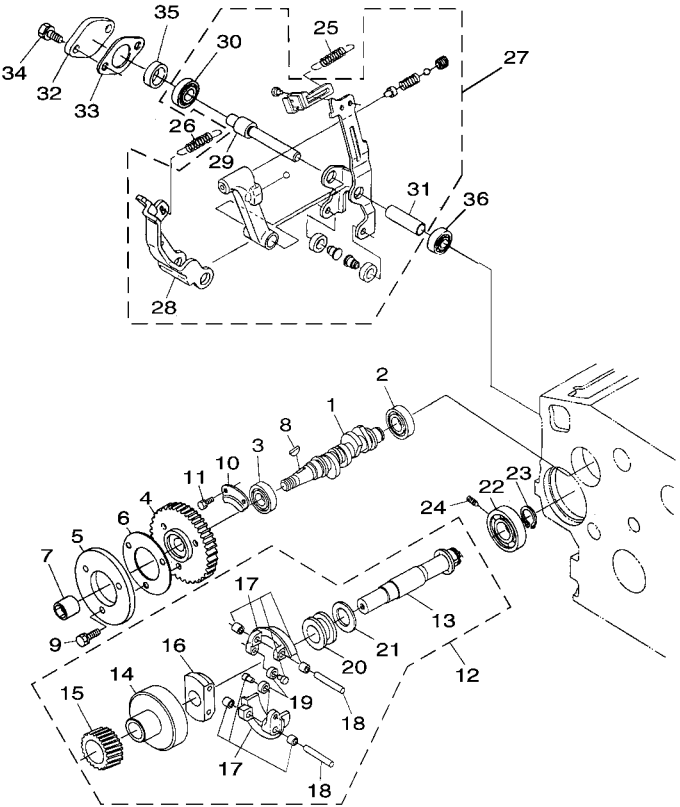
*Applicable Engine Serial No
(380V/220V-50Hz)-810535 and following
(220V/127V-60Hz)-710152 and following


Q9C3600-F050

REF. NO.	PART NO.	DESCRIPTION	Q9C3				REMARKS
1	YF1-60401-61-70	CAMSHAFT(FUEL)	1				
2	YF1-62619-73-01	BALL BEARING	1				
3	YF1-62619-73-11	BEARING	1				
4	YF1-75385-11-50	INJECTION PUMP GEAR	1				PREVIOUS
	YF1-62725-11-51	INJECTION PUMP GEAR	1				CURRENT
5	YF1-62415-11-13	CAM(FUEL)	1				
6	YF1-62415-11-90	WASHER	1				
7	YF1-62419-23-30	NUT,CROWN	1				
8	YF1-62419-52-30	KEY,WOODRUF	1				
9	YF0-10235-06-18	BOLT	3				
10	YF1-62411-63-20	STOPPER,FUEL CAMSHAFT	1				
11	YF0-10235-06-16	BOLT	2				
12	YF1-62825-50-13	SHAFT ASSY.(GOVERNOR)	1				
13	YF1-62715-53-13	.GOVERNOR SHAFT	1				
14	YF1-62415-53-92	.HOLDER(GOVERNOR)	1				
15	YF1-62825-53-20	.GOVERNOR GEAR	1				
16	YF1-62415-52-70	.GOVERNOR WEIGHT HOLDER	1				
17	YF1-62415-50-62	.WEIGHT COMP.(GOVERNOR)	2				
18	YF1-62415-52-60	.GOVERNOR WEIGHT SHAFT	2				
19	YF1-94845-54-40	.ROLLER	2				
20	YF1-62415-54-50	.GOVERNOR SLEEVE	1				
21	YF1-62415-54-63	.WASHER,THRUST	1				
22	YF1-62619-73-21	BALL BEARING	1				
23	YF1-62715-54-10	CIRCLIP,GOVERNOR SHAFT	1				
24	YF1-62415-55-54	SCREW,STOPPER	1				
25	YF1-62855-64-80	START SPRING	1				
26	YF1-62855-64-12	SPRING(1,GOVERNOR)	1				

FIG. 5 GOVERNOR

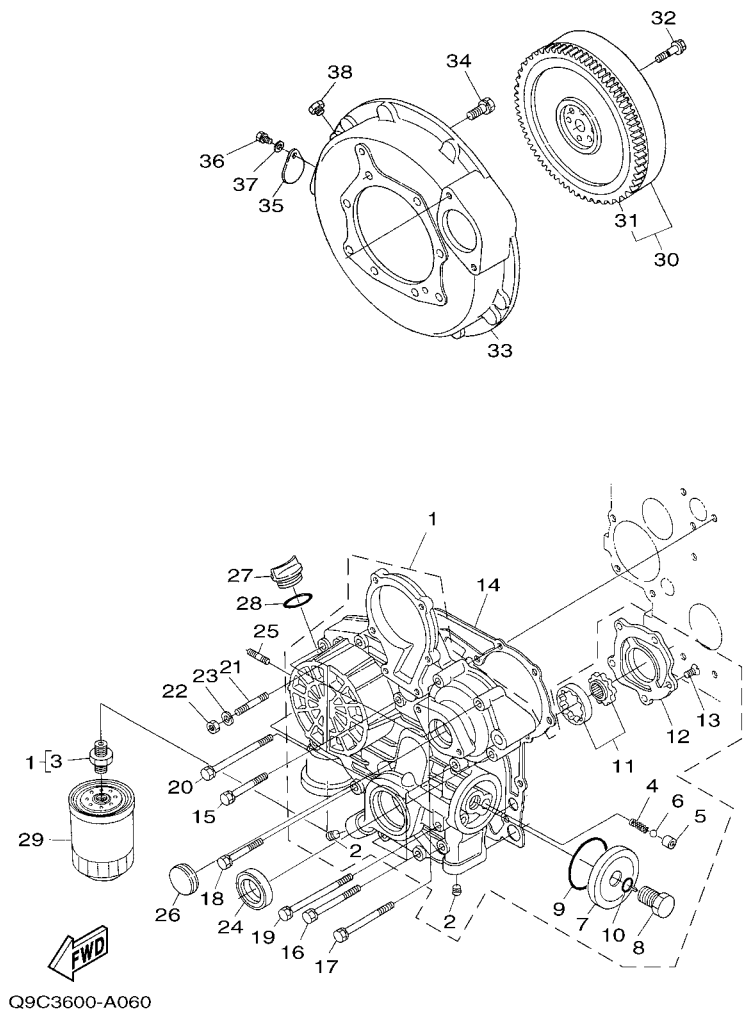
REF. NO.	PART NO.	DESCRIPTION	Q9C3				REMARKS
27	YF1-60515-60-13	LEVER ASSY.(FORK)	1				
28	YF1-G0325-61-31	.LEVER (FORK2)	1				
29	YF1-G0325-64-71	.FORK LEVER SHAFT(2)	1				
30	YF1-62415-63-30	.MINIATURE BEARING 699	1				
31	YF1-G0325-61-51	.FORK LEVER SHAFT(1)	1				
32	YF1-62415-62-50	FORK LEVER SHAFT COVER	1				
33	YF1-62995-62-60	PACKING NA	1				
34	YF0-10235-06-14	BOLT	2				
35	YF1-62415-62-10	COLLAR 1	1				
36	YF1-62415-63-40	MINIATURE BEARING 698	1				



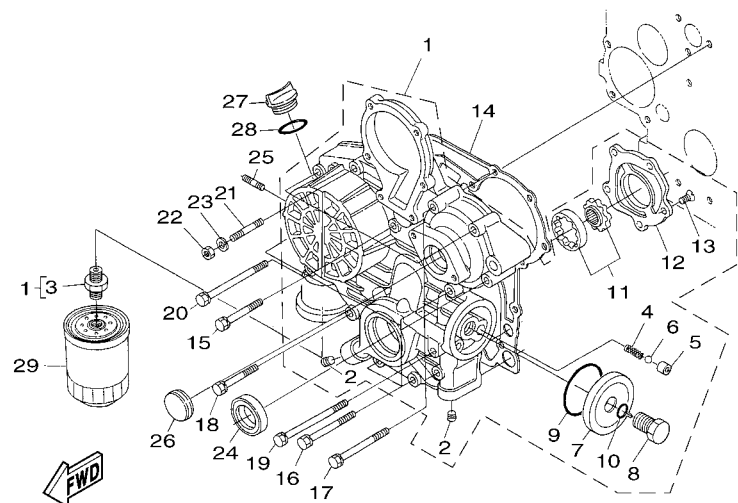
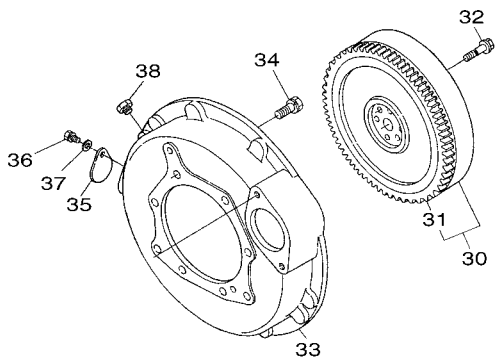
Q9C3600-F050

CURRENT
 *Applicable Engine Serial No
 (380V/220V-50Hz)-810535 and following
 (220V/127V-60Hz)-710152 and following

FIG. 6 TIMING GEAR CASE



REF. NO.	PART NO.	DESCRIPTION	Q9C3				REMARKS
1	YF1-62390-40-22	GEAR CASE COMP	1				
2	YF1-62619-60-21	.PLUG	5				
3	YF1-52413-22-90	.NIPPLE	1				
4	YF1-62413-69-50	.SPRING	1				
5	YF1-62413-69-30	.VALVE SHEET	1				
6	YF0-77150-02-01	.BALL	1				
7	YF1-62593-28-82	.COVER	1				
8	YF1-62593-29-02	.BOLT	1				
9	YF0-48145-06	.O-RING	1				
10	YF0-48140-01-50	.O-RING	1				
11	YF1-62413-50-70	.OIL PUMP ROTOR ASSY.	1				
12	YF1-62593-51-32	.OIL PUMP COVER	1				
13	YF1-62419-31-20	.SCREW,PANHEAD	5				
14	YF1-62640-41-30	GASKET(GEAR CASE,NA)	1				
15	YF0-10235-06-45	BOLT	3				
16	YF0-10236-06-50	BOLT,WITH WASHER	4				
17	YF0-10235-06-55	BOLT	2				
18	YF1-58419-10-40	BOLT	1				
19	YF1-62419-10-40	BOLT(M6X68)	2				
20	YF1-62599-10-40	BOLT(M6X82)	1				
21	YF1-62459-15-30	STUD	1				
22	YF0-20565-00-60	NUT	1				
23	YF0-45126-00-60	WASHER,SPRING	1				
24	YF1-62590-42-10	OIL SEAL	1				
25	YF1-62459-15-40	STUD	2				
26	YF1-62648-33-42	COVER(HOUR METER GEAR GASE)	1				
27	YFE-91513-31-40	PLUG(FUEL FEED)	1				

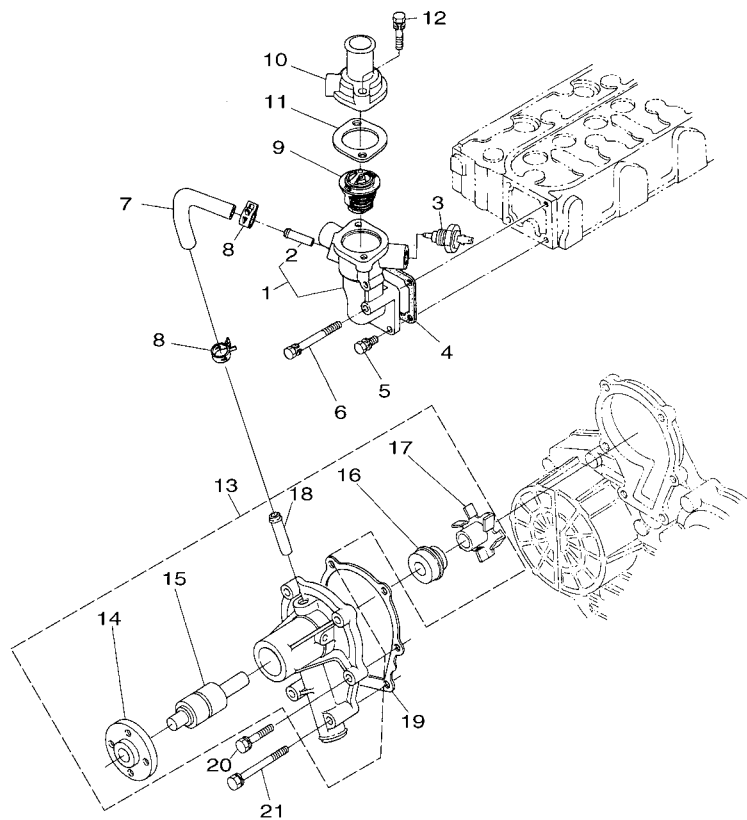


Q9C3600-A060

FIG. 6 TIMING GEAR CASE

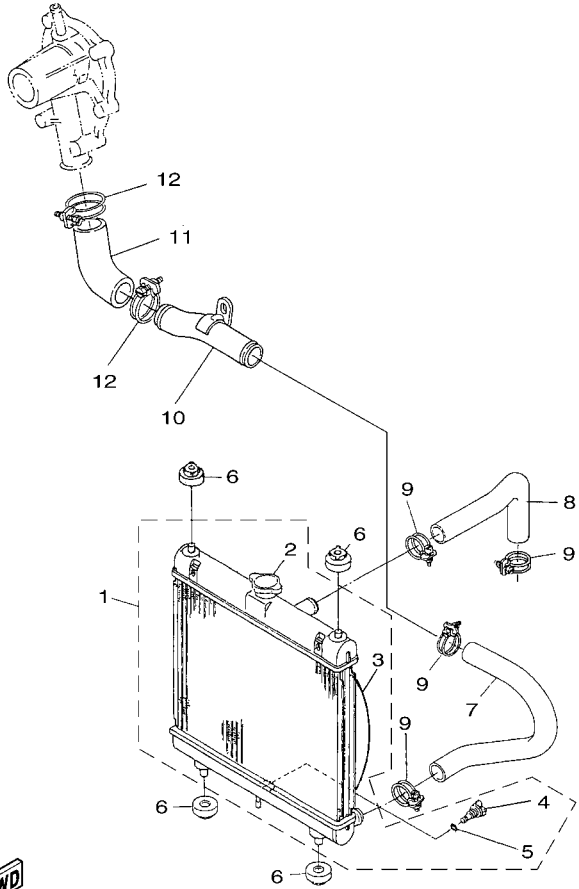
REF. NO.	PART NO.	DESCRIPTION	Q9C3				REMARKS
28	YF0-48145-03	O-RING	1				
29	YF1-62713-20-92	FILTER ASSY.(OIL CARTRIDGE)	1				
30	YF1-K5522-50-10	FLY WHEEL COMP.	1				
31	YF1-62616-38-22	.GEAR(RING)	1				
32	YF1-62412-51-60	FLY WHEEL BOLT	6				
33	YF1-72150-46-10	FLY WHEEL HOUSING	1				
34	YF1-52619-11-90	BOLT	8				
35	YF3-12201-41-70	COVER	1				
36	YF0-11236-08-14	BOLT	1				
37	YF0-40136-00-80	WASHER,PLATE	1				
38	YF3-66022-32-40	PLUG(M18X1.5)	1				

FIG. 8 COOLING SYSTEM



Q9C2600-A080

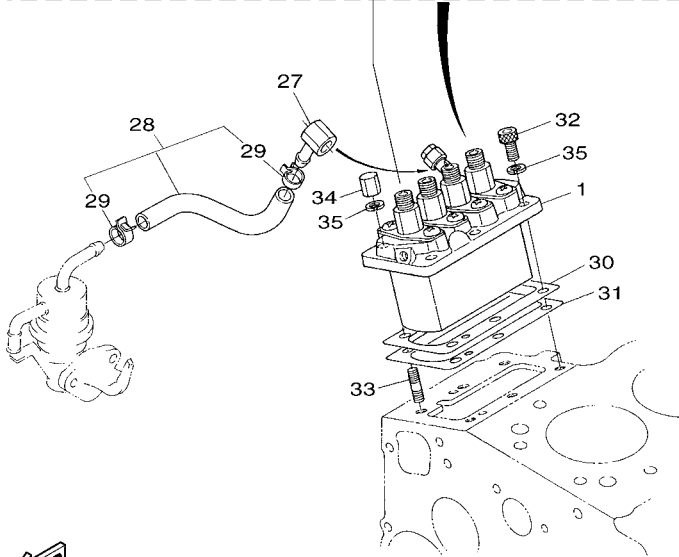
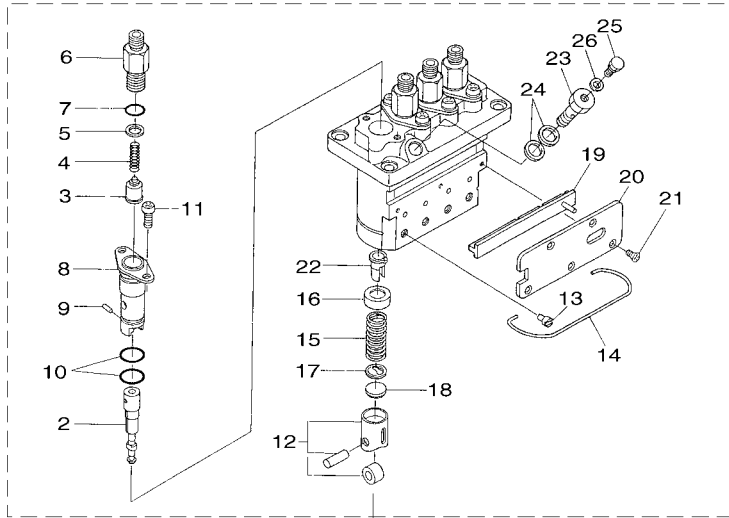
REF. NO.	PART NO.	DESCRIPTION	Q9C3				REMARKS
1	YF1-62267-27-02	FLANGE,COMP.(WATER)	1				
2	YF1-62417-33-70	.PIPE,WATER RETURN	1				
3	YF1-75388-30-40	SWITCH,THERMOSTAT	1				
4	YF1-62647-29-20	GASKET(WATER FLANGE,NA)	1				
5	YF0-10235-06-16	BOLT	3				
6	YF0-10235-06-55	BOLT	1				
7	YF1-62417-33-50	WATER RETURN PIPE 2	1				
8	YF1-62417-33-60	CLIP,PIPE	2				
9	YF1-94347-30-14	THERMOSTAT ASSY.	1				
10	YF1-62197-32-60	THERMOSTAT COVER	1				
11	YF1-62217-32-70	GASKET(THERMOSTAT,NA)	1				
12	YF0-11235-08-35	BOLT (7LR1)	2				
13	YF1-62517-30-34	PUMP ASSY.(WATER)	1				
14	YF1-62597-35-20	.WATER PUMP SHAFT FLANGE	1				
15	YF1-62597-35-52	.BEARING	1				
16	YF1-G6427-30-50	.MECHANICAL SEAL ASSY	1				
17	YF1-62597-35-12	.WATER PUMP IMPELLER	1				
18	YF1-62417-33-40	.PIPE 1	1				
19	YF1-62397-34-30	GASKET(WATER PUMP,NA)	1				
20	YF0-10235-06-30	BOLT	4				
21	YF0-10235-06-85	BOLT	2				



Q9C2600-A092

FIG. 9 RADIATOR & HOSE

REF. NO.	PART NO.	DESCRIPTION	Q9C3				REMARKS
1	YF1-G3477-20-60	RADIATOR ASSY.	1				
2	YF1-75801-60-60	.CAP(RADIATOR)	1				
3	YF1-G3477-23-30	.SHROUD(FAN)	1				
4	YF3-40701-60-70	.PLUG(DRAIN)	1				
5	YF3-40701-60-90	.O-RING	1				
6	YF3-40701-60-30	RUBBER(RADIATOR MOUNT)	4				
7	YF1-K5227-28-50	HOSE(1,WATER)	1				
8	YF1-K5227-29-40	HOSE(4,WATER)	1				
9	YF0-93188-90-39	HOSE CLAMP	4				
10	YF1-72037-28-60	WATER PIPE 2	1				
11	YF1-G6807-28-70	PIPE(WATER,3)	1				
12	YF3-62008-27-20	CLAMP	2				

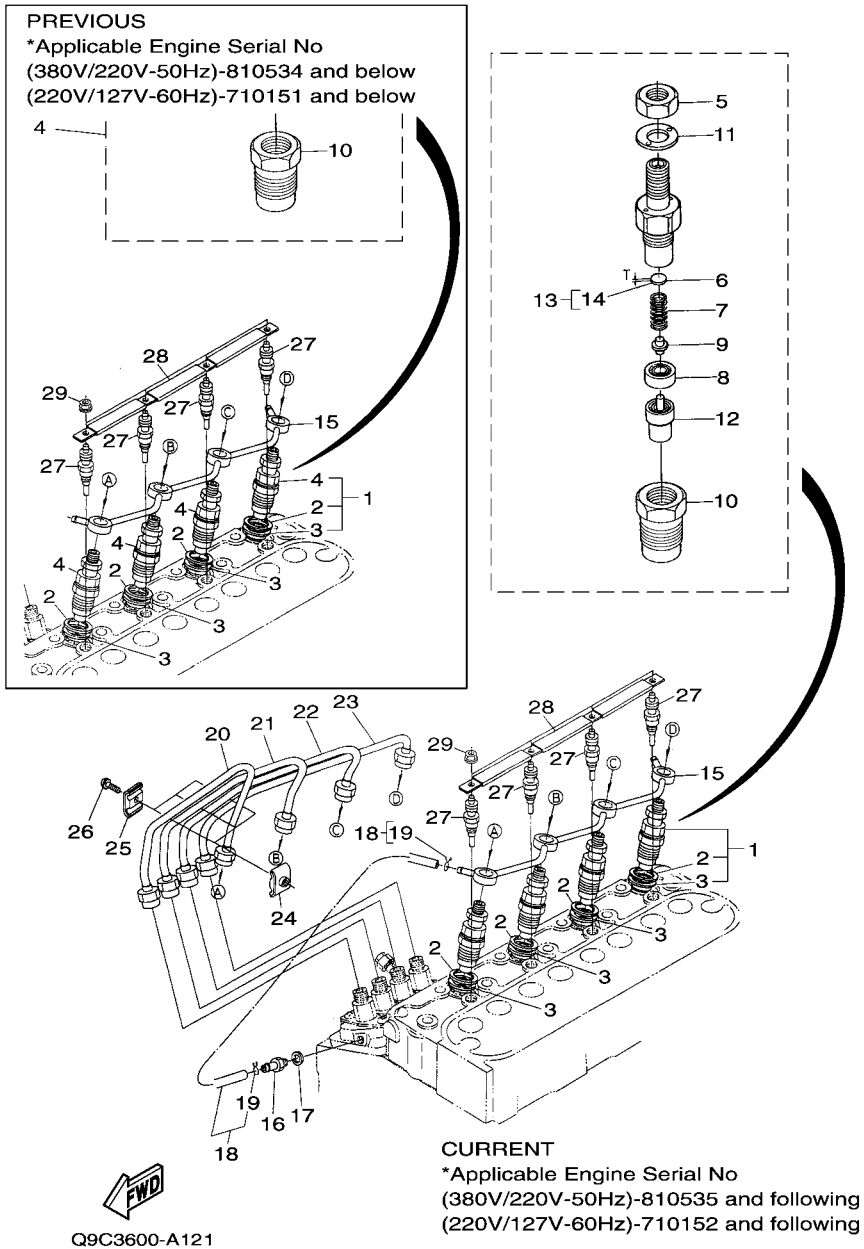


Q9C3600-A110

FIG. 11 INJECTION PUMP

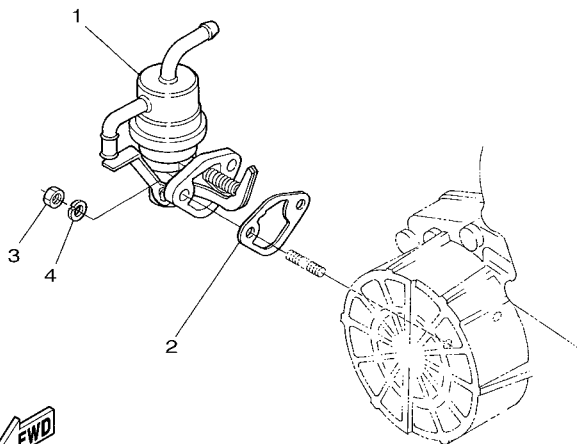
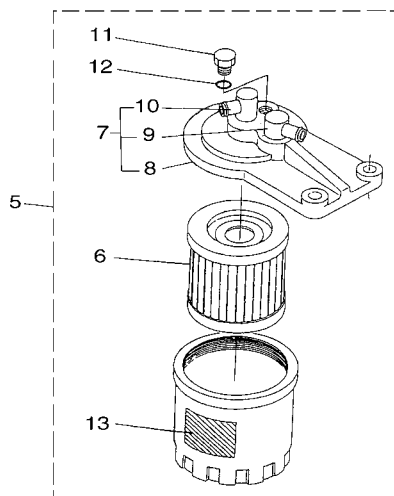
REF. NO.	PART NO.	DESCRIPTION	Q9C3				REMARKS
1	YF1-60605-10-10	INJECTION PUMP ASSY.	1				
2	YF1-60305-10-52	.ELEMENT(PUNP)	4				
3	YF1-58415-10-30	.VALVE,DELIVERY	4				
4	YF1-58415-12-30	.SPRING,DELIVERY VALVE	4				
5	YF1-58415-12-40	.GASKET,DELIVERY VALVE	4				
6	YF1-62715-12-20	.HOLDER,DELIVERY VALVE	4				
7	YF1-58419-67-60	.O-RING	4				
8	YF1-58415-15-60	.SLEEVE FLANGE	4				
9	YF1-58419-45-70	.PIN,WITH HEAD	4				
10	YF1-58415-12	.O-RING	8				
11	YF1-58629-14-30	.SCREW	8				
12	YF1-58415-10-70	.TAPPET ASSY	4				
13	YF1-58415-12-50	.PIN,TAPPET GUIDE	4				
14	YF1-62715-14-30	.PIN,CLAMP	1				
15	YF1-58415-12-80	.SPRING,PLUNGER	4				
16	YF1-58415-12-70	.SEAT SPRING,UPPER	4				
17	YF1-58415-12-90	.SEAT SPRING,LOWER	4				
18	YF1-58415-14-90	.SHIM	4				
19	YF1-60605-10-60	.RACK(CONTROL)	1				
20	YF1-60605-15-40	.PLATE	1				
21	YF1-58419-31-10	.SCREW,CYLINDER HEAD	5				
22	YF1-58415-13-80	.CONTROL SLEEVE	4				
23	YF1-60305-13-20	.BOLT FLANGE	1				
24	YF1-58419-66-50	.PACKING	2				
25	YF1-58415-13-50	.SCREW,AIR BREATHER	1				
26	YF1-58419-66-60	.PACKING	1				
27	YF1-62419-56-90	PIPE FLANNGE	1				

FIG. 12 INJECTION NOZZLE



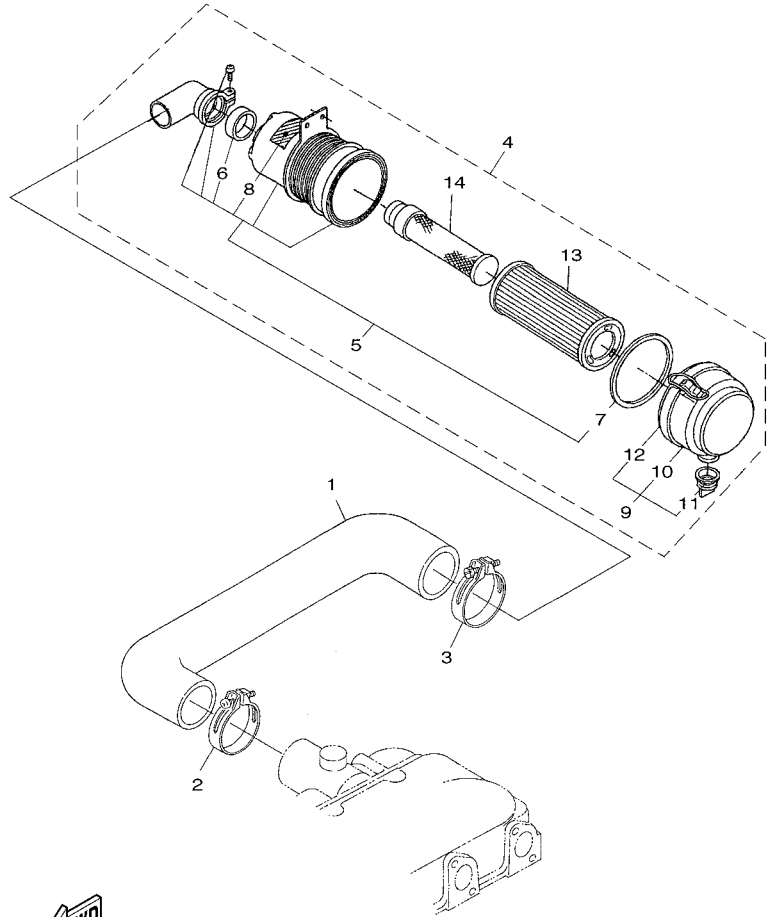
REF. NO.	PART NO.	DESCRIPTION	Q9C3		REMARKS
1	YF1-60325-39-01	NOZZLE HOLDER KIT	4		PREVIOUS
	YF1-G0655-39-01	NOZZLE HOLDER KIT	4		CURRENT
2	YF1-58415-36-22	.PACKING	4		
3	YF1-90775-36-50	.SEAL,HEAT	4		
4	YF1-60325-30-01	.NOZZLE HOLDER ASSY	4		PREVIOUS
5	YF1-60329-20-30	.NUT	4		CURRENT
6	YF1-60325-32-30	.WASHER(ADJUSTING)	4		CURRENT
7	YF1-60325-31-70	.SPRING(NOZZLE)	4		CURRENT
8	YF1-60325-33-50	.SPACER(DISTANCE)	4		CURRENT
9	YF1-60325-31-60	.PUSH ROD	4		CURRENT
10	YF1-60325-32-80	.NUT(NOZZLE)	4		CURRENT
11	YF1-60329-40-40	.WASHER PLATE	4		CURRENT
12	YF1-60325-36-10	..NOZZLE PIECE	4		PREVIOUS
	YF1-G0655-36-11	..NOZZLE PIECE	4		CURRENT
13	YF1-60329-81	.WASHER ASSY.(ADJUSTING)	4		AP CURRENT
14	YF1-60329-85	..WASHER(ADJUSTING,0.10)	4		UR CURRENT
	YF1-60329-85-10	..WASHER(ADJUSTING,0.20)	4		UR CURRENT
	YF1-60329-85-20	..WASHER(ADJUSTING,0.30)	4		UR CURRENT
	YF1-60329-85-30	..WASHER(ADJUSTING,0.40)	4		UR CURRENT
	YF1-60329-85-40	..WASHER(ADJUSTING,0.50)	4		UR CURRENT
	YF1-60329-85-50	..WASHER(ADJUSTING,0.52)	4		UR CURRENT
	YF1-60329-85-60	..WASHER(ADJUSTING,0.54)	4		UR CURRENT
	YF1-60329-85-70	..WASHER(ADJUSTING,0.56)	4		UR CURRENT
	YF1-60329-85-80	..WASHER(ADJUSTING,0.58)	4		UR CURRENT
	YF1-60329-85-90	..WASHER(ADJUSTING,0.80)	4		UR CURRENT
15	YF1-62714-25-02	PIPE ASSY.(OVERFLOW)	1		
16	YF1-58415-13-60	SCREW,AIR BREATHER	1		

FIG. 13 FUEL SYSTEM 2




Q9C2600-A130

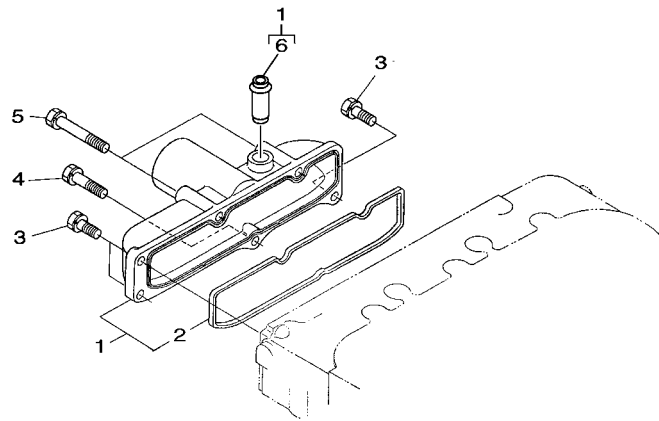
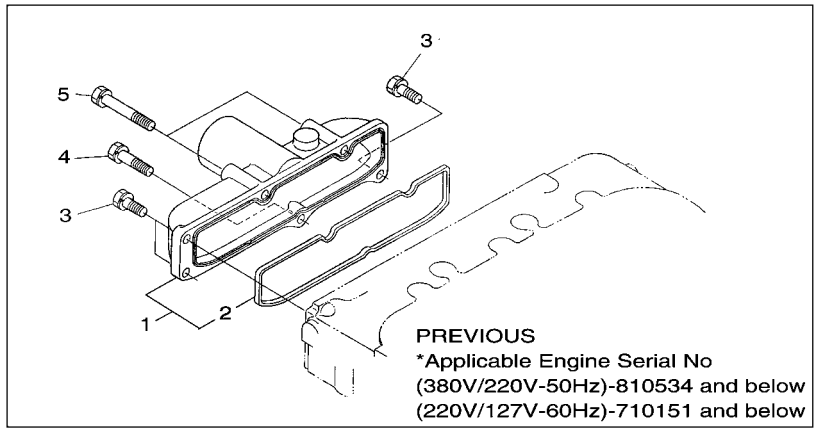
REF. NO.	PART NO.	DESCRIPTION	Q9C3				REMARKS
1	YF1-62855-20-32	PUMP ASSY.(FUEL)	1				
2	YF1-62645-21-40	GASKET	1				
3	YF0-20565-00-60	NUT	2				
4	YF0-45126-00-60	WASHER,SPRING	2				
5	YF1-52244-30-10	FUEL FILTER ASSY.	1				
6	YF1-52214-31-70	.FILTER ELEMENT	1				
7	YF1-52244-32	.FILTER COVER ASSY.	1				
8	YF1-52214-32-10	..FILTER COVER	1				
9	YF1-51084-36-10	..PIPE FLANGE 1	1				
10	YF1-51084-37-80	..PIPE FLANGE 2	1				
11	YF1-92224-32-80	.PLUG,FILTERE AIR DRAIN	1				
12	YF1-51084-32-90	.O-RING	1				
13	YF1-52248-77-60	.MARK	1				



Q9CE600-F140

FIG. 14 AIR CLEANER

REF. NO.	PART NO.	DESCRIPTION	Q9C3				REMARKS
1	YF1-66161-16-20	INLET PIPE	1				
2	YF1-54011-17-20	BAND, PIPE	1				
3	YF1-52211-17-20	BAND, PIPE	1				
4	YF3-23329-32-02	AIR CLEANER ASSY.(W FILTER)	1				
5	YF3-23321-63-10	.BODY COMP.(AIR CLEANER)	1				
6	YFT-02709-31-10	..SEAL(PIPE)	1				
7	YFT-02709-31-50	..SEAL(AIR CLEANER)	1				
8	YF3-23329-31-80	..LABEL(W AIR CLEANER)	1				
9	YFT-02709-31-70	.CUP ASSY.(AIR CLEANER)	1				
10	YFT-02709-31-40	..CUP(AIR CLEANER)	1				
11	YFT-00709-31-60	..VALVE	1				
12	YFT-02709-31-90	..CLAMP(AIR CLEANER)	1				
13	YFT-02701-63-20	.FILTER COMP.(AIR CLEANER)	1				
14	YFT-02709-32-20	.ELEMENT ASSY.(INNER)	1				

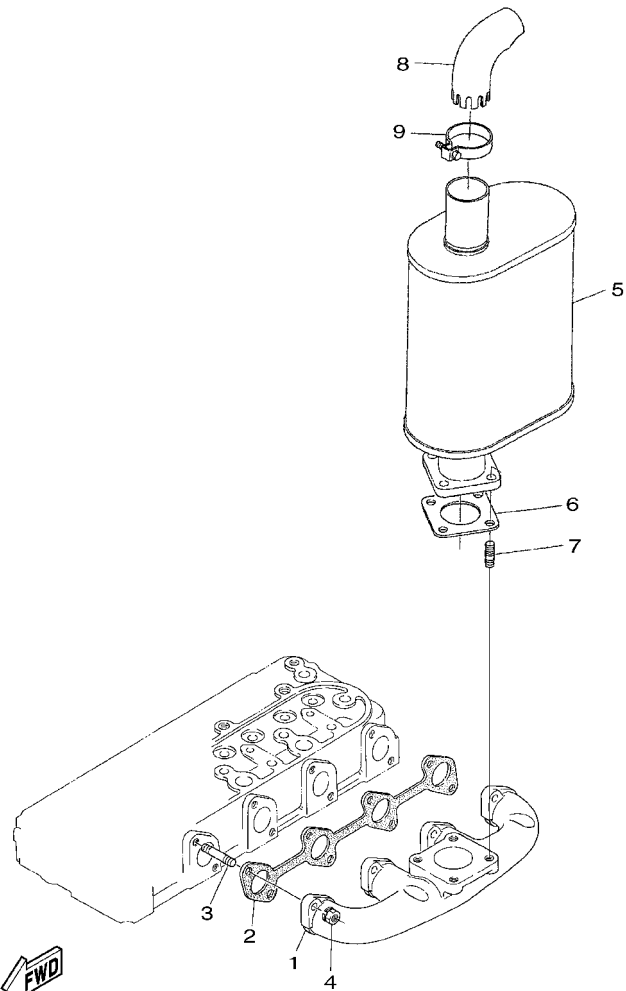


CURRENT
 *Applicable Engine Serial No
 (380V/220V-50Hz)-810535 and following
 (220V/127V-60Hz)-710152 and following


 Q9C3600-F150

FIG. 15 INTAKE

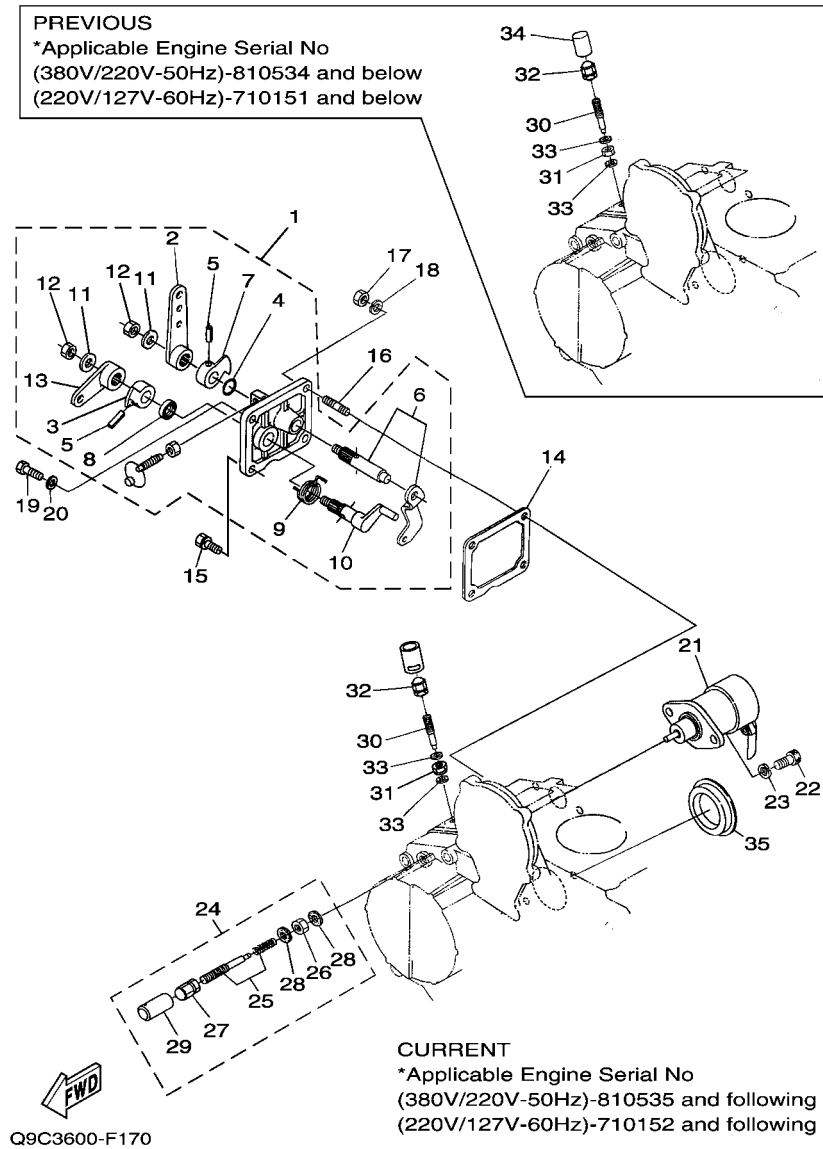
REF. NO.	PART NO.	DESCRIPTION	Q9C3			REMARKS
1	YF1-62711-17-70	MANIFOLD ASSY.(INLET)	1			PREVIOUS
	YF1-62591-17-73	MANIFOLD ASSY,INLET	1			CURRENT
2	YF1-62411-18-20	.INLET MANIFOLD PACKING	1			
3	YF0-10235-06-18	BOLT	3			
4	YF0-10235-06-30	BOLT	2			
5	YF0-10236-06-50	BOLT,WITH WASHER	3			
6	YF1-62410-55-51	.JOINT,BREATHER PIPE	1			CURRENT



Q9C3600-A160

FIG. 16 EXHAUST 1

REF. NO.	PART NO.	DESCRIPTION	Q9C3				REMARKS
1	YF1-62851-23-10	EXHAUST MANIFOLD	1				
2	YF1-62991-23-60	EXHAUST MANIFOLD PACKING NA	1				
3	YF1-62419-14-90	STUD	8				
4	YF1-62719-20-10	NUT	8				
5	YF1-K5521-21-11	MUFFLER	1				
6	YF1-52631-23-70	PACKING,MUFFLER(NA)	2				
7	YF0-15135-08-22	STUD	4				
8	YF1-69201-24-10	PIPE(MUFFLER)	1				
9	YF1-69201-24-30	CLAMP(MUFFLER PIPE)	1				



Q9C3600-F170

FIG. 17 CONTROL UNIT

REF. NO.	PART NO.	DESCRIPTION	Q9C3				REMARKS
1	YF1-K5915-70-15	PLATE ASSY(SPEED CONTROL)	1				
2	YF1-62715-71-52	.LEVER 1,SPEED CONTROL	1				
3	YF1-62415-71-62	.LEVER 2,SPEED CONTROL	2				
4	YF0-48140-01	.O-RING	1				
5	YF0-54110-04-20	.PIN,SPRING	2				
6	YF1-62715-60-24	.LEVER COMP.(GOVERNOR)	1				
7	YF1-62715-77-21	.LEVER(1,ENGINE STOP)	1				
8	YF1-54715-79-81	.OIL SEAL	1				
9	YF1-62225-75-11	.SPRING,RETURN	1				
10	YF1-62715-77-40	.SHAFT,STOP LEVER	1				
11	YF1-62419-40-20	.WASHER, PLAIN	2				
12	YF1-62419-20-20	.NUT	2				
13	YF1-62715-77-20	.LEVER, ENGINE STOP	1				
14	YF1-62645-72-10	GASKET(ADJUSTING PLATE,NA)	1				
15	YF0-10235-06-16	BOLT	1				
16	YF1-62459-15-40	STUD	2				
17	YF0-20565-00-60	NUT	2				
18	YF0-45126-00-60	WASHER,SPRING	2				
19	YF0-10535-06-18	BOLT	1				
20	YF1-56019-66-50	PACKING	1				
21	YF1-72086-00-10	SOLENOID ASSY	1				
22	YF0-13111-06-14	BOLT,WITH HEXAGONAL HOLE	2				
23	YF0-45126-00-60	WASHER,SPRING	2				
24	YF1-62595-40-90	IDLING LIMITER DEVICE ASSY	1				
25	YF1-62595-41-02	.ADJUSTING BOLT ASSY.	1				
26	YF1-58419-20-20	.NUT	1				
27	YF1-58529-23-32	.NUT,CROWN	1				

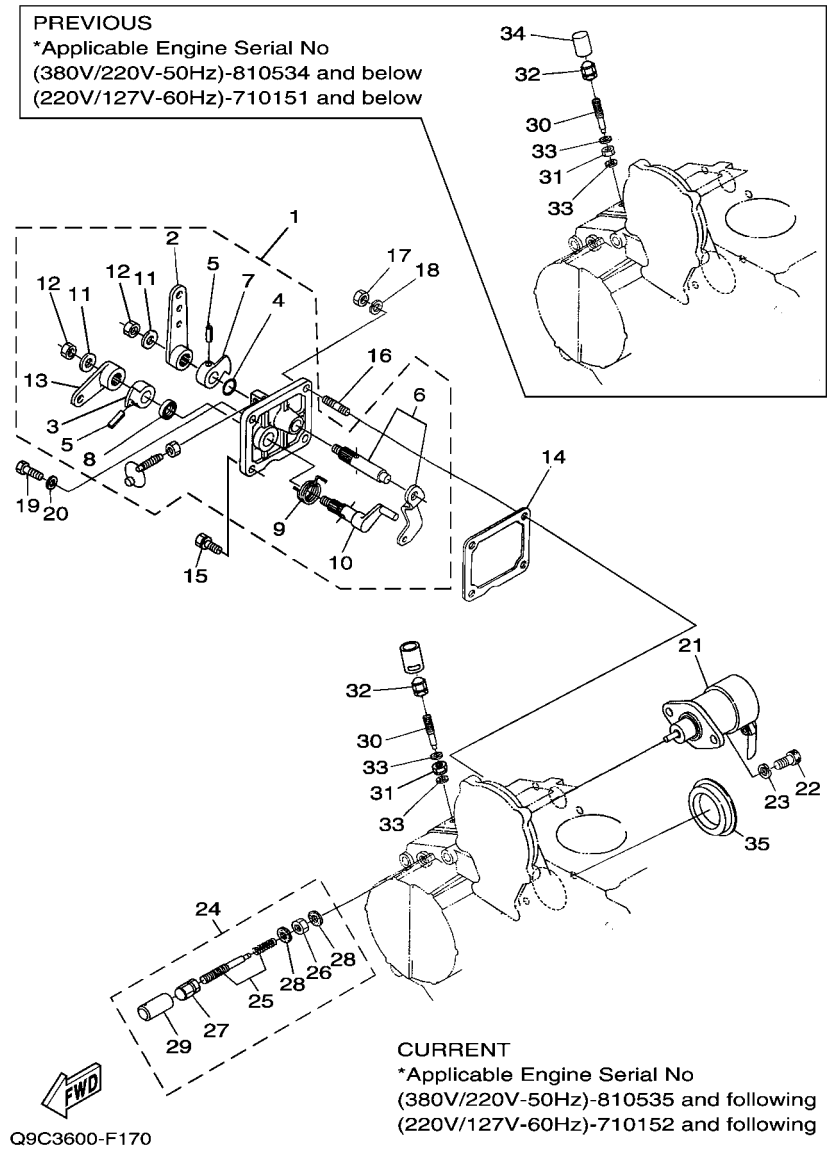
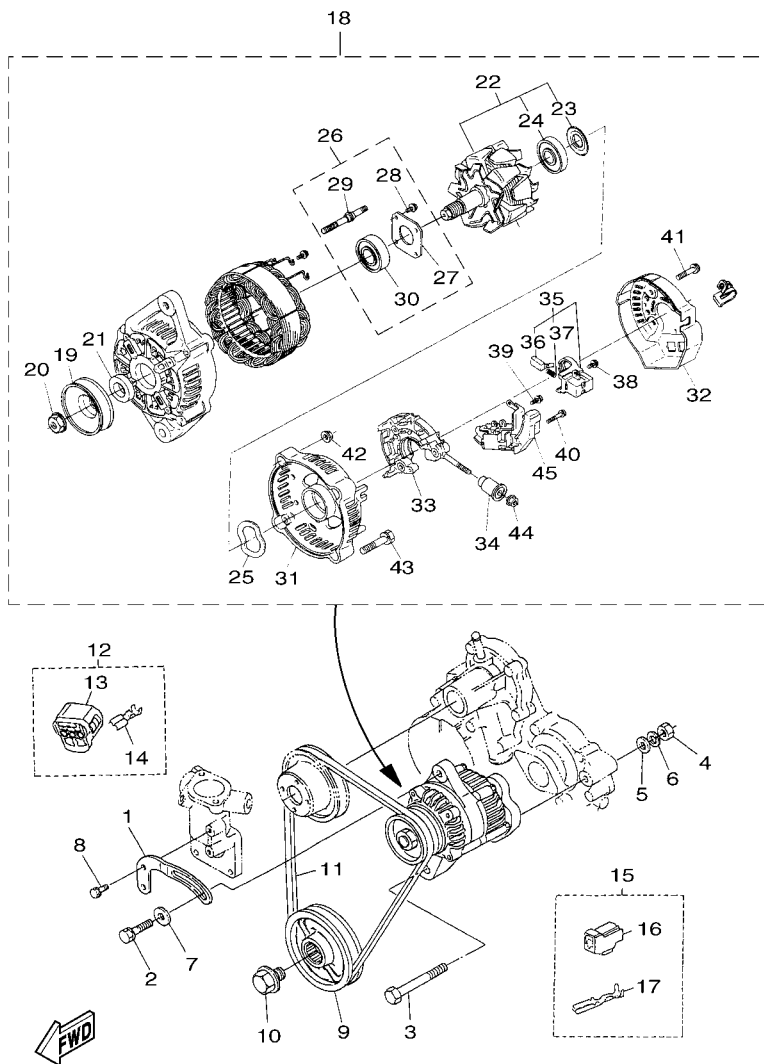


FIG. 17 CONTROL UNIT

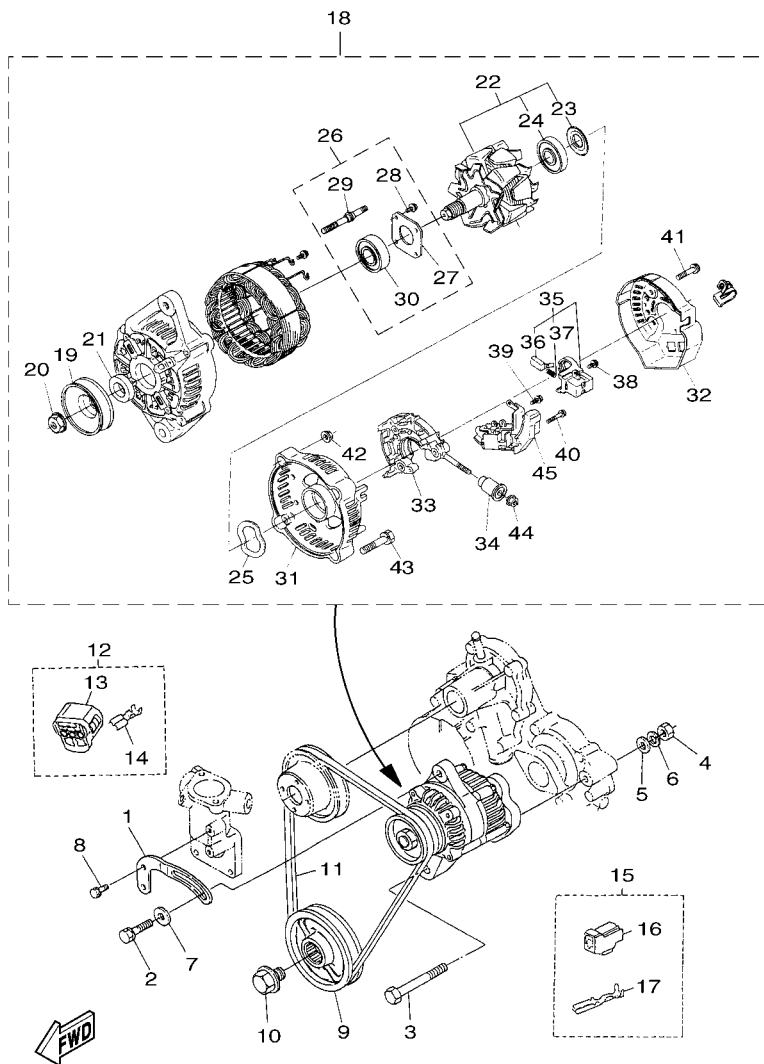
REF. NO.	PART NO.	DESCRIPTION	Q9C3				REMARKS
28	YF1-56019-66-50	.PACKING	2				
29	YF1-62215-44-20	.CAP	1				
30	YF1-62415-41-20	ADJUSTING BOLT	1				
31	YF1-58419-20-20	NUT	1				PREVIOUS
	YF1-G0315-42-10	NUT (7NFA)	1				CURRENT
32	YF1-58419-23-30	NUT,CROWN	1				
33	YF1-56019-66-50	PACKING	2				
34	YF1-62215-44-20	CAP	1				PREVIOUS
35	YF1-62648-31-52	COVER(HYDRAULIC PUMP)	1				



Q9C2600-A180

FIG. 18 GENERATOR

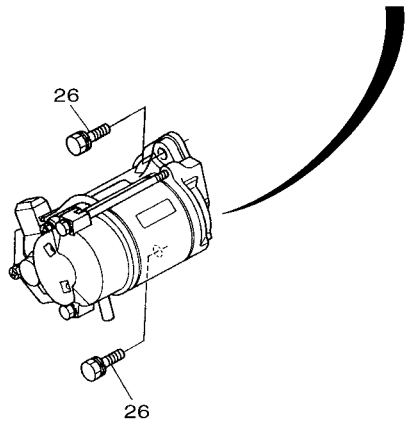
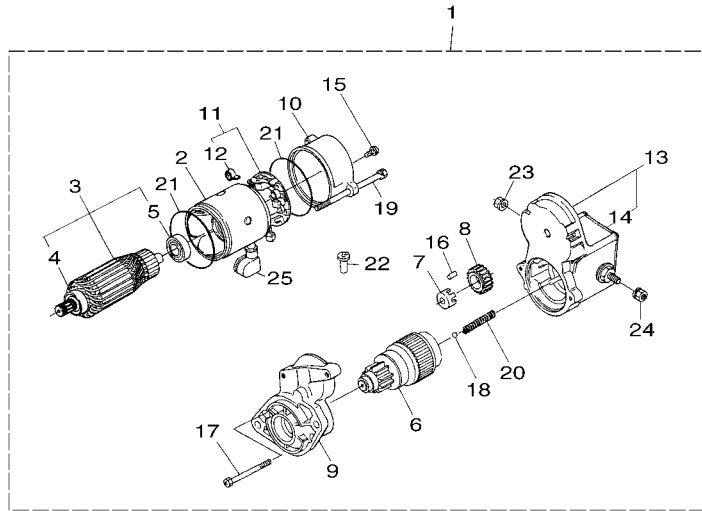
REF. NO.	PART NO.	DESCRIPTION	Q9C3				REMARKS
1	YF1-62416-44-20	DYNAMO STAY	1				
2	YF0-11235-08-30	BOLT (EDK8000TE)	1				
3	YF0-11735-10-85	BOLT	1				
4	YF0-21765-01	NUT	1				
5	YF0-40155-01	WASHER PLATE	1				
6	YF0-45126-01	WASHER SPRING	1				
7	YF0-40156-00-80	WASHER,PLATE	1				
8	YF0-10235-06-16	BOLT	1				
9	YF1-62417-42-80	FAN DRIVE PULLEY	1				
10	YF1-62419-10-20	BOLT(FAN DRIEVE)	1				
11	YF1-63569-70-11	37V-BELT	1				
12	YF1-66786-58-30	CONNECTER ASSY.	1				
13	YF1-66316-58-40	.CONNECTER	1				
14	YF1-92376-59-10	.TERMINAL	3				
15	YF1-C0106-58-30	COUPLER ASSY(SOLENOID)	1				
16	YF1-C0106-58-80	.CONNECTER	1				
17	YF1-C0106-59-10	.TERMINAL	2				
18	YF1-K5746-40-15	ALTERNATOR ASSY	1				
19	YF1-58816-41-10	.DYNAMO PULLEY	1				
20	YF1-58819-20-10	.NUT	1				
21	YF1-58816-41-50	.COLLAR	1				
22	YF6-64366-40-40	.ROTOR	1				
23	YF1-58816-48-01	..BEARING COVER	1				
24	YF1-66526-47-70	..BALL BEARING	1				
25	YF1-58816-48-10	.WASHER,THRUST	1				
26	YF6-64366-40-20	.DRIVE END FLAME	1				
27	YF1-58816-47-10	..RETAINER PLATE	1				



Q9C2600-A180

FIG. 18 GENERATOR

REF. NO.	PART NO.	DESCRIPTION	Q9C3				REMARKS
28	YF1-58819-30-10	..SCREW,ROUND HEAD	4				
29	YF1-58816-42-60	..THROUGH BOLT	2				
30	YF1-66526-47-80	..BALL BEARING	1				
31	YF1-62316-40-60	.END FRAME	1				
32	YF1-66786-42-30	.COVER(END)	1				
33	YF1-58816-48-50	..RECTIFIER ASSY	1				
34	YF1-58816-49	.INSULATION BUSHING	1				
35	YF1-66526-43-10	.BRUSH HOLDER	1				
36	YF1-58816-40-90	..BRUSH	2				
37	YF1-58816-43-30	..BRUSH SPRING	2				
38	YF1-58819-30-40	..SCREW,ROUND HEAD	1				
39	YF1-58819-30-30	.SCREW,ROUND HEAD	6				
40	YF1-58819-30-20	.SCREW,ROUND HEAD	2				
41	YF1-58819-10-40	.BOLT	3				
42	YF1-58819-20-20	.NUT	2				
43	YF1-58819-10-50	.BOLT	2				
44	YF1-41829-20-30	.NUT (7NT1)	1				
45	YF1-K5746-46-04	.REGULATOR ASSY	1				



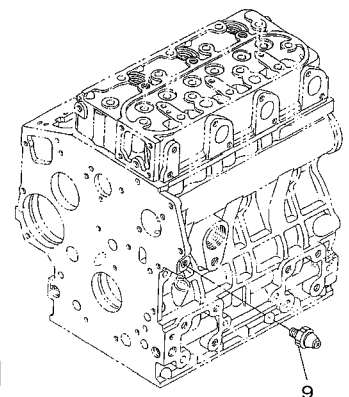
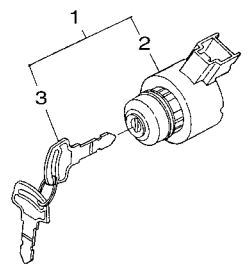
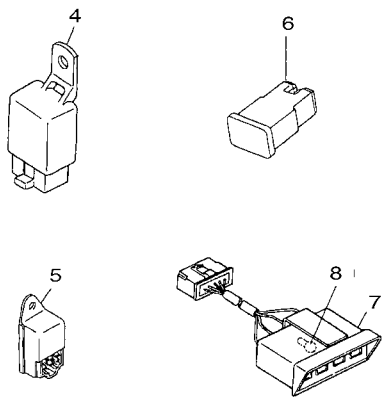
Q9C3600-A190

FIG. 19 STARTING MOTOR

REF. NO.	PART NO.	DESCRIPTION	Q9C3				REMARKS
1	YF1-62856-30-10	STARTER	1				
2	YF1-14606-30-80	.YOKE	1				
3	YF1-14606-30-70	.ARMATURE	1				
4	YF1-14606-35	..BEARING	1				
5	YF1-14606-35-30	..BEARING	1				
6	YF1-62856-30-40	.CLUTCH ASSY.	1				
7	YF1-14606-31-10	.RETAINER	1				
8	YF1-14606-32-70	.GEAR(2)	1				
9	YF1-62856-30-30	.HOUSING ASSY.	1				
10	YF1-62856-32	.FRAME ASSY.(END)	1				
11	YF1-14706-33-80	.HOLDER ASSY.(BRUSH)	1				
12	YF1-14606-33-90	..SPRING(BRUSH)	4				
13	YF1-62856-30-20	.SWITCH ASSY.(MAGNET)	1				
14	YF1-62859-80-50	..COVER ASSY.(STARTER MAGNET)	1				
15	YF1-55116-37-60	.BOLT ASSY	2				
16	YF1-92126-31	.ROLLER	5				
17	YF1-14609-33-10	.BOLT	2				
18	YF1-92129-71-30	.BALL	1				
19	YF1-14606-33-20	.BOLT,THROUGH	2				
20	YF1-14606-31-20	.SPRING	1				
21	YF1-55119-66-60	.O-RING	2				
22	YF1-62856-35-70	.PIPE(DRAIN)	1				
23	YF1-39639-20-10	.NUT, HEXAGON	1				
24	YF1-62859-20-10	.NUT, HEXAGON	1				
25	YF1-11736-31-30	.COVER(TERMINAL)	1				
26	YF0-11235-08-25	BOLT	2				

FIG. 20 ELECTRICAL

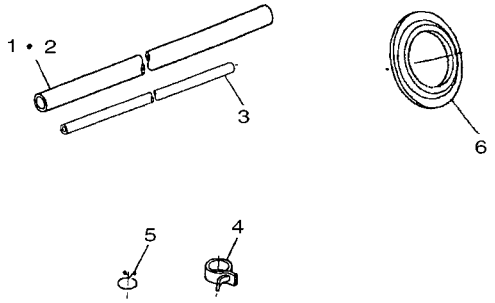
REF. NO.	PART NO.	DESCRIPTION	Q9C3				REMARKS
1	YF1-52486-35-90	STARTER SWITCH ASSY.	1				
2	YF6-C0405-54-12	.SWITCH,STARTER	1				
3	YF1-52486-37-02	.KEY, STARTER	1				
4	YF1-K5746-02-20	RELAY COMP.(12VA.D)	1				
5	YF1-56946-59-90	LAMP TIMER	1				
6	YF3-37807-55-50	SLOW BLOW FUSE(65A)	1				
7	YF1-74787-02-01	PILOT BOX	1				
8	YF3-41503-45-90	BULB	4				
9	YF1-58413-90-10	OIL SWITCH	1				



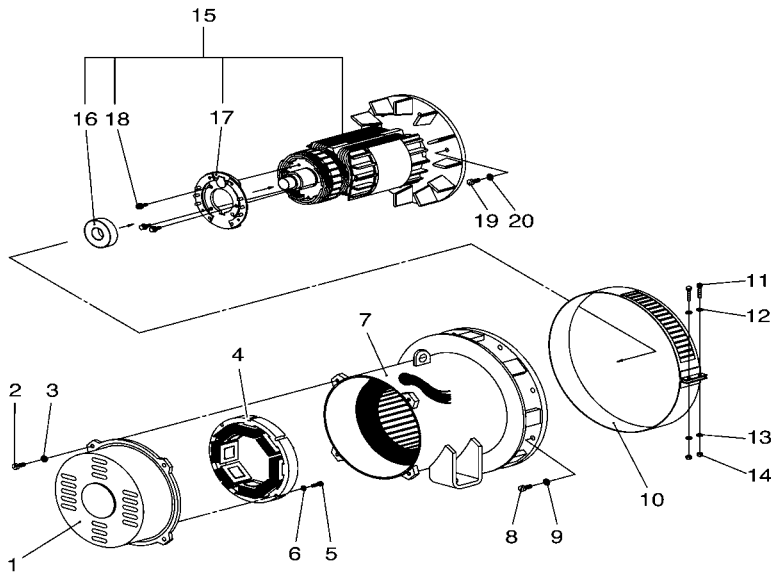
Q9C2600-A200

FIG. 21 ALTERNATE 1

REF. NO.	PART NO.	DESCRIPTION	Q9C3				REMARKS
1	YF0-96618-02	FUEL PIPE	1				
2	YF0-96618-04-50	FUEL PIPE	1				
3	YF0-96614-06-50	FUEL PIPE	1				
4	YF1-49114-27-50	PIPE CLIP	4				
5	YF1-49714-27-50	PIPE CLIP	2				
6	YF1-89013-02-70	FUEL TANK CAP SEAL	1				



 Q9C3600-A210



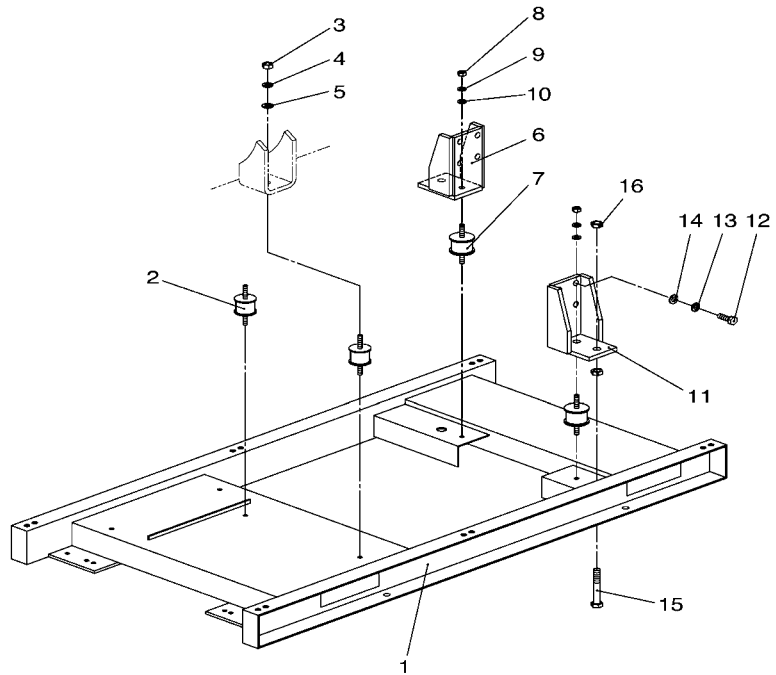

 Q9C1600-F220

FIG. 22 GENERATOR 1

REF. NO.	PART NO.	DESCRIPTION	Q9C3				REMARKS
1	YFT-K3T30-18-86	BRACKET	1				
2	YFT-KBM08-30-A5	BOLT	4				
3	YFT-KWMS0-80	WASHER,SPRING	4				
4	YFT-WKC00-49-ST	EX STATOR ASSY	1				
5	YFT-KBM06-35-A5	BOLT	4				
6	YFT-KWMS0-60	WASHER,SPRING	4				
7	YFT-WKC00-64-ST	STATOR ASSY	1				UR 380V
	YFT-WKC00-85-ST	STATOR ASSY	1				UR 220V
8	YFB-M1025-B5-12	BOLT	8				
9	YFT-KWMS1-00	WASHER,SPRING	8				
10	YFT-K3T30-17-19	COVER	1				
11	YFT-KBM06-35-A5	BOLT	2				
12	YFT-KWMS0-60	WASHER,SPRING	2				
13	YFT-K1PWM-06-E5	WASHER	2				
14	YFT-K1NM0-6A-50	NUT	2				
15	YFT-WKC00-64-RT	ROTOR ASSY	1				
16	YFT-KNO63-06-ZZ	.BEARING	1				
17	YFT-K3T20-10-65	.RECTIFIER ASSY	1				
18	YFS-M0615-SP-A5	.BOLT	3				
19	YFT-KBM08-20-C5	BOLT	6				
20	YFT-KWMS0-80	WASHER,SPRING	6				



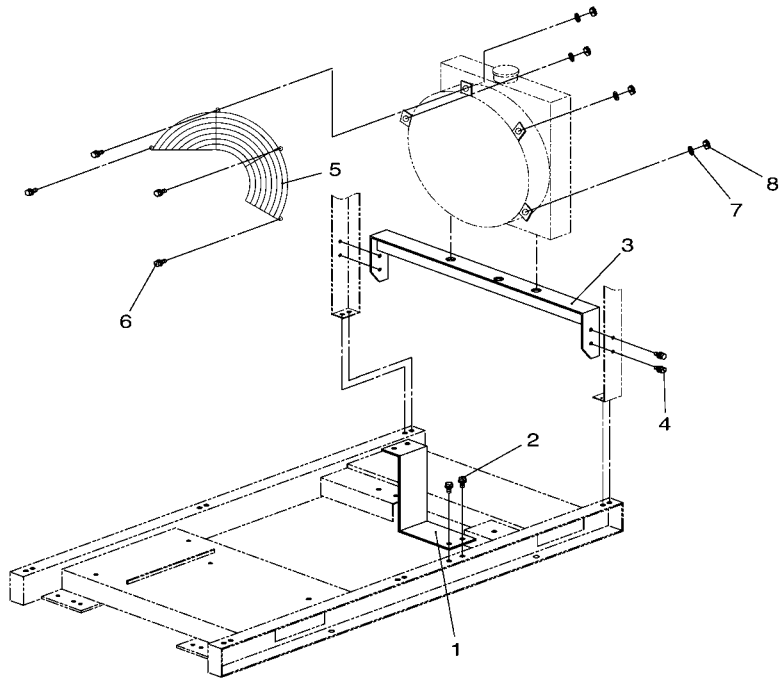
Q9C2600-F230



S=0/0

FIG. 23 ENGINE MOUNT

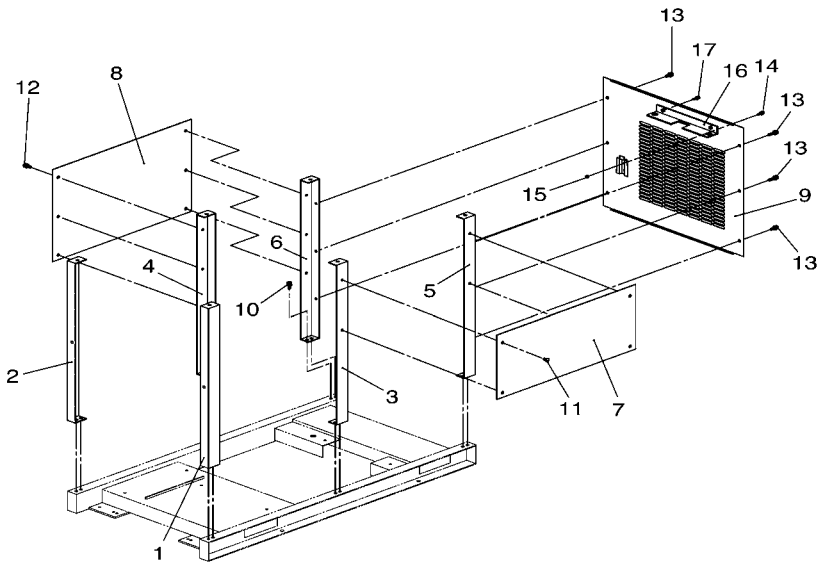
REF. NO.	PART NO.	DESCRIPTION	Q9C3				REMARKS
1	YFT-K3T30-32-21	BED	1				
2	YFT-KKA45-00	CUSHION	2				
3	YFT-K1NM0-8A-50	NUT	2				
4	YFT-KWMS0-80	WASHER,SPRING	2				
5	YFT-K1PWM-08-E5	WASHER	2				
6	YFT-K4T30-28-53	FOOT(L)	1				
7	YFT-KKA45-00	CUSHION	2				
8	YFT-K1NM0-8A-50	NUT	2				
9	YFT-KWMS0-80	WASHER,SPRING	2				
10	YFT-K1PWM-08-E5	WASHER	2				
11	YFT-K4T30-28-53	FOOT(L)	1				
12	YFB-M1025-B5-12	BOLT	8				
13	YFT-KWMS1-00	WASHER,SPRING	8				
14	YFT-K1PWM-10-E5	WASHER	8				
15	YFT-KBM12-65-A5	BOLT	2				
16	YFT-K1NM1-2A-50	NUT	4				




Q9C2600-F240

FIG. 24 FRAME

REF. NO.	PART NO.	DESCRIPTION	Q9C3				REMARKS
1	YFT-K4T30-27-71	BRACKET, FUEL FILTER	1				
2	YFS-M820S-PW-A6	BOLT	2				
3	YFT-K3T30-26-95	BRACKET, RADIATOR	1				
4	YFS-M820S-PW-A6	BOLT	4				
5	YF1-G6907-41-20	COVER	1				
6	YFS-M615S-PW-A5	BOLT	4				
7	YFT-K1PWM-06-E5	WASHER	4				
8	YFT-K1NM0-6A-50	NUT	4				

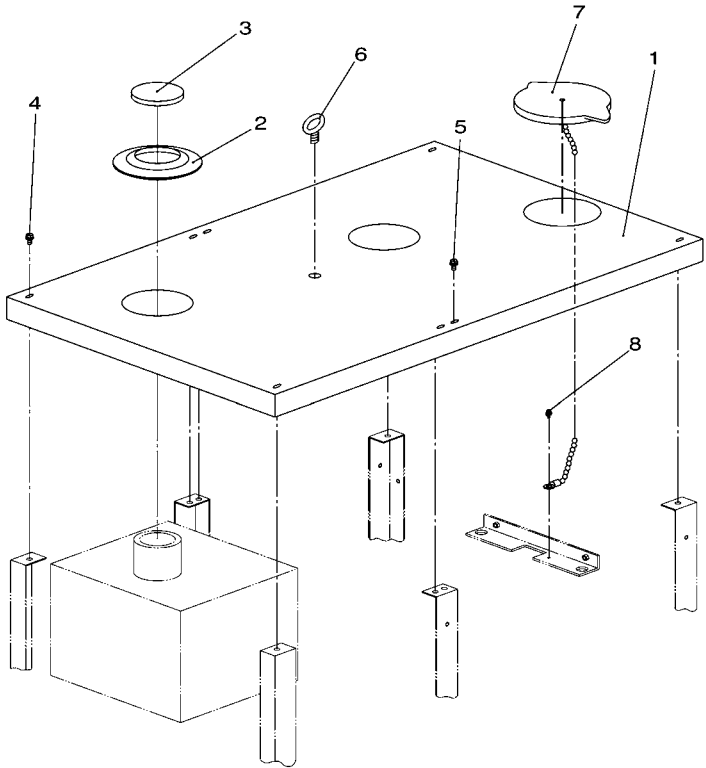



Q9C2600-F250

FIG. 25 COVER

REF. NO.	PART NO.	DESCRIPTION	Q9C3				REMARKS
1	YFT-3T302-69-9R	STAND	1				
2	YFT-3T302-69-9L	STAND	1				
3	YFT-3T303-51-5R	STAND	1				
4	YFT-3T303-51-5L	STAND	1				
5	YFT-3T303-51-6R	STAND	1				
6	YFT-3T303-51-6L	STAND	1				
7	YFT-3T302-69-3R	COVER	1				
8	YFT-3T303-51-3L	COVER	1				
9	YFT-K3T30-26-96	COVER, RADIATOR	1				
10	YFS-M820S-PW-A6	BOLT	12				
11	YFS-M816S-PW-A6	BOLT	4				
12	YFS-M816S-PW-A6	BOLT	6				
13	YFS-M820S-PW-A6	BOLT	6				
14	YFS-M614S-PW-A6	BOLT	2				
15	YFT-K1NM0-6A-50	NUT	2				
16	YFT-K4T30-35-19	PLATE, RADIATOR	1				
17	YFS-M820S-PW-A6	BOLT	2				

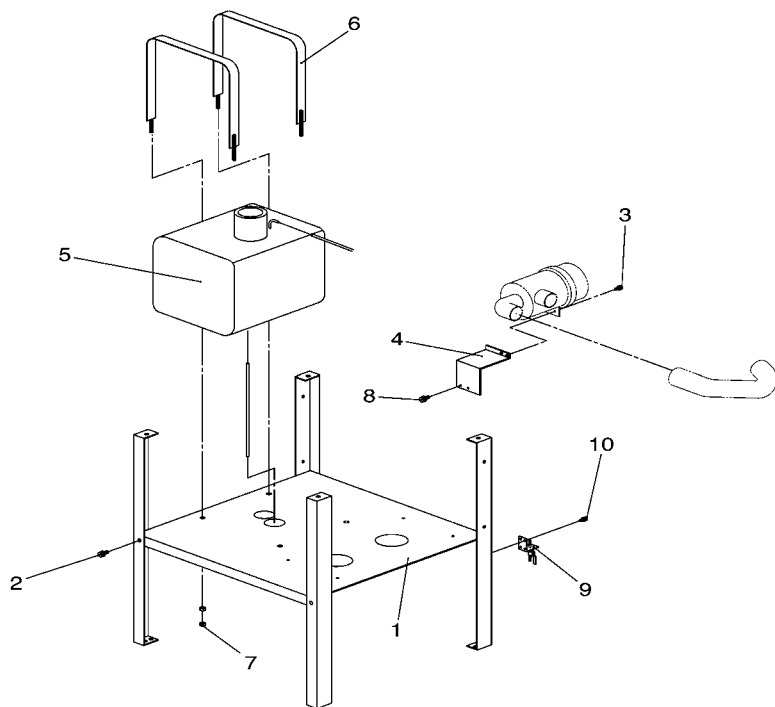
FIG. 26 PANEL & COVER



REF. NO.	PART NO.	DESCRIPTION	Q9C3				REMARKS
1	YFT-K3T30-35-18	ROOF	1				
2	YF1-89013-02-70	FUEL TANK CAP SEAL	1				
3	YFT-Y9901-00-0A	CAP FUEL TANK	1				
4	YFS-M820S-PW-A6	BOLT	4				
5	YFS-M1030-SW-A6	BOLT	4				
6	YFE-BM200-00	EYEBOLT	1				
7	YFT-K3T50-12-24	GUM CAP	1				
8	YFS-EC516-SP-G5	SCREW	1				

 Q9C2600-F260

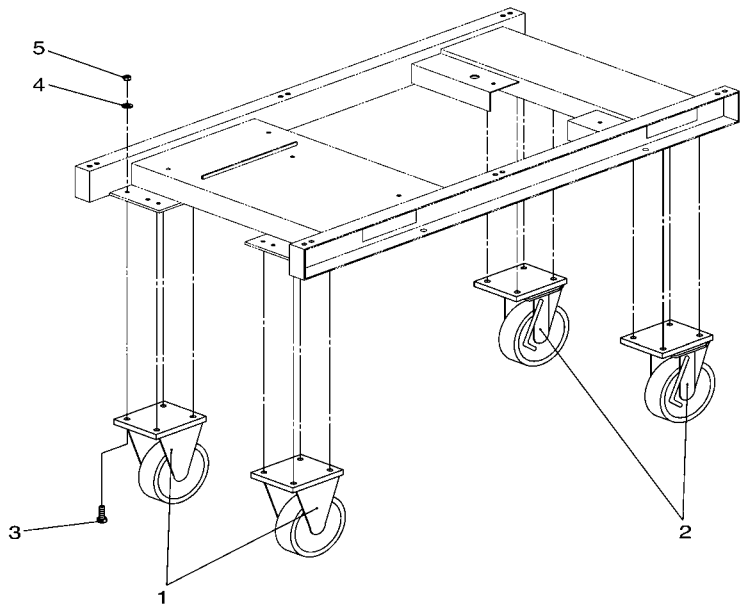
FIG. 27 FUEL TANK




Q9C2600-F270

REF. NO.	PART NO.	DESCRIPTION	Q9C3				REMARKS
1	YFT-K3T30-26-90	PLATE, TANK & C BOX	1				
2	YFS-M820S-PW-A6	BOLT	4				
3	YFS-M820S-PW-A6	BOLT	2				
4	YFT-K4T30-27	PLATE,AIRCLEANER	1				
5	YFT-K3T30-27-68	FUEL TANK	1				
6	YFT-K4T30-27-72	BAND, FUEL TANK	2				
7	YFT-K1NM0-8A-50	NUT	8				
8	YFS-M820S-PW-A6	BOLT	2				
9	YFT-K3T20-16-82	COCK	1				
10	YFS-M515S-PW-A6	BOLT	4				

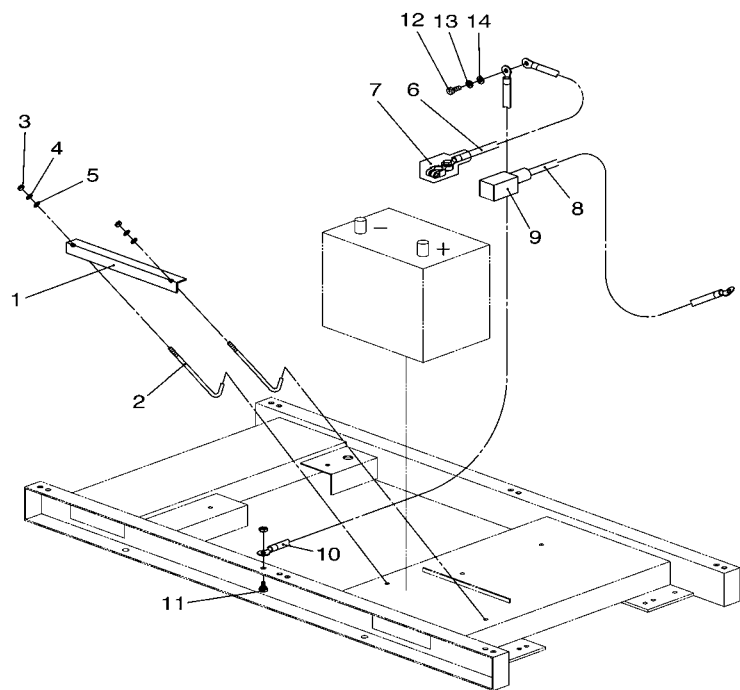
FIG. 28 FRAME 2




Q9C2600-F280

REF. NO.	PART NO.	DESCRIPTION	Q9C3					REMARKS
1	YFS-KMT15-0V-S0	CASTER	2					
2	YFS-TM150-VS-W3	CASTER	2					
3	YFS-M1025-SP-A5	BOLT	16					
4	YFT-K1PWM-10-E5	WASHER	16					
5	YFT-K1NM1-0A-50	NUT	16					

FIG. 29 FRAME 3



Q9C2600-F290

REF. NO.	PART NO.	DESCRIPTION	Q9C3				REMARKS
1	YFT-K4T30-20-93	SUPPORT BATTERY	1				
2	YFT-K4440-00-26	HOOK BATTERY	2				
3	YFT-K1NM0-6A-50	NUT	2				
4	YFK-TWMS0-60	WASHER,SPRING	2				
5	YFT-KM516-63-4C	WASHER	2				
6	YF3-T1030-79-02	CORD, BATTERY(-)	1				
7	YFT-K4440-00-9B	CORD(BLACK)	1				
8	YF3-T1030-79-01	CORD, BATTERY(+)	1				
9	YFT-K4440-00-9R	CORD(RED)	1				
10	YF3-T1030-79-03	CORD (EARTH)	1				
11	YFB-M825A-SS-Y0	BOLT	1				
12	YFB-M1020-C5-12	BOLT	1				
13	YFT-KWMS1-00	WASHER,SPRING	1				
14	YFT-K1PWM-10-E5	WASHER	1				



Q9C2600-F300

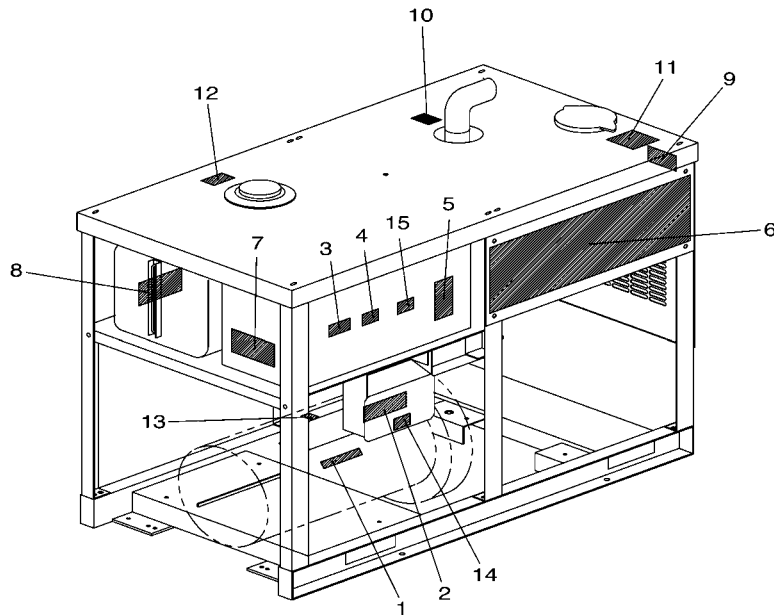
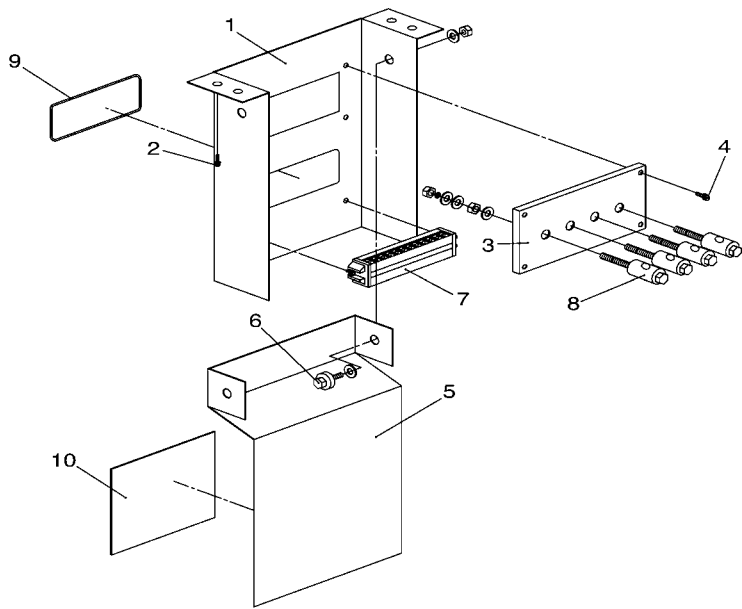


FIG. 30 LABEL

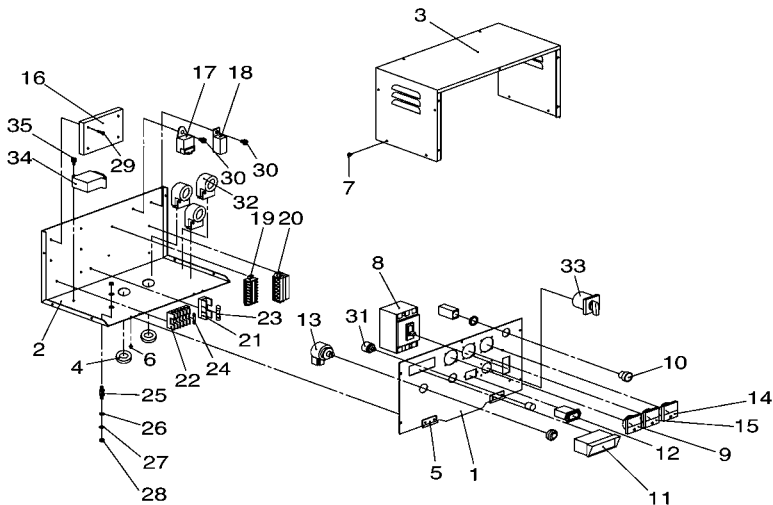
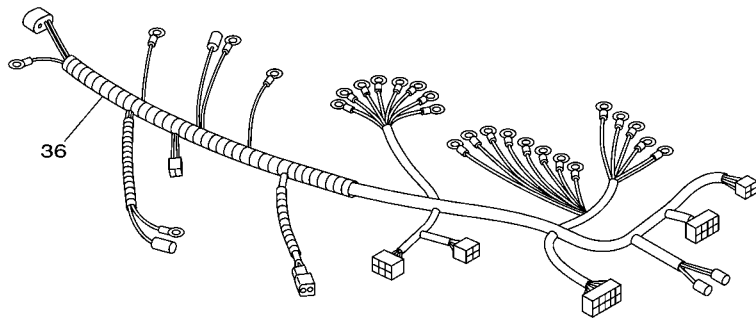
REF. NO.	PART NO.	DESCRIPTION	Q9C3			REMARKS
1	YFT-K4T50-14-50	LABEL SIRIAL	1			UR 380V
	YFT-K4T50-14-53	LABEL SIRIAL	1			UR 220V
2	YFT-K4T50-14-38	LABEL TERMINAL	1			UR 380V
	YFT-K4T50-14-39	LABEL TERMINAL	1			UR 220V
3	YFT-K4T50-10-42	LABEL,KEY SWITCH	1			
4	YFT-K4E50-10-50	LABEL VR	1			
5	YFT-K4T50-10-43	LABEL,BREAKER	1			
6	YFT-K3T50-12-72	NAME PLATE YAMAHA	1			
7	YFT-K4T50-11-27	LABEL WARNING	1			
8	YFT-K3700-03-10	LABEL,MAINTRNANCE	1			
9	YFT-K4T50-11-30	LABEL CAUTION	1			
10	YFT-K4T50-11-28	LABEL CAUTION	1			
11	YFT-K4T50-11-29	LABEL RADIATOR	1			
12	YFT-K4700-07-40	LABEL,FUEL	1			
13	YFT-K4700-08-10	LABEL EARTH	1			
14	YFT-K3T50-12-91	LABEL DANGER VOLTAGE	1			
15	YFT-K3T50-15-32	LABEL, AMMETER	1			

FIG. 31 FRAME 4



REF. NO.	PART NO.	DESCRIPTION	Q9C3				REMARKS
1	YFT-K3T30-32-19	PLATE, TERMINAL	1				
2	YFS-M625S-PW-A6	BOLT	4				
3	YFT-K4430-02-80	PLATE	1				
4	YFS-M625S-PW-A6	BOLT	4				
5	YFT-K3T30-32-20	COVER	1				
6	YFT-K3T20-14-68	BOLT	2				
7	YFT-KJTP2-01-2P	TERMINAL	1				
8	YFT-K4430-04-20	TERMINAL, ASSY	4				
9	YFT-KG016-L3-38	GUM COVER	1				
10	YFT-K4T50-12-48	SEET	1				

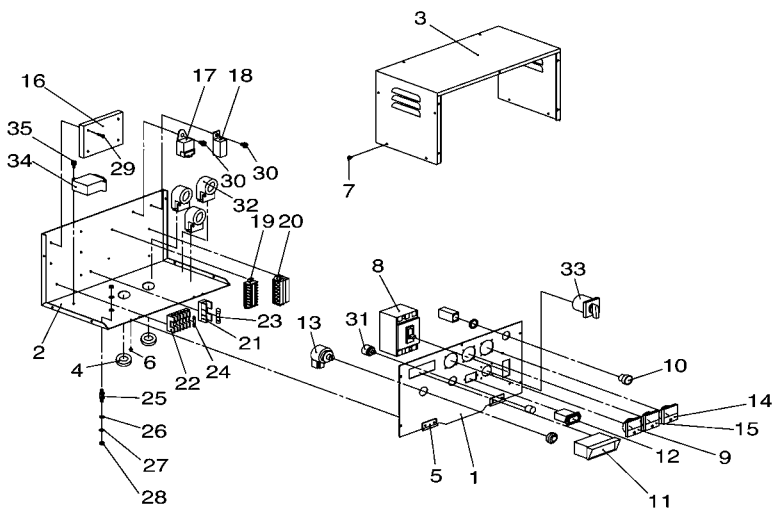
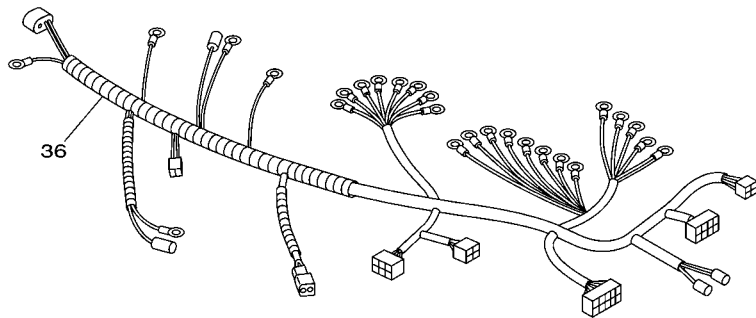

Q9C1600-F310



FWD
Q9C2600-F320

FIG. 32 ELECTRICAL 1

REF. NO.	PART NO.	DESCRIPTION	Q9C3	REMARKS
1	YFT-K3T30-32-16	PANEL	1	
2	YFT-K3T30-33-18	PANEL (B)	1	
3	YFT-K3T30-32-17	PANEL COVER	1	
4	YFC-30BW3-62	GUM BUSH	2	
5	YFT-KB102-71-30	PLATE	2	
6	YFS-EC36S-PW-G5	SCREW	8	
7	YFS-EC48S-PW-G6	SCREW	14	
8	YFX-M30NB-32-A3	BREAKER	1	UR 380V
	YFX-M100C-S6-33	BREAKER	1	UR 220V
9	YFT-RR55C-44-0V	METER	1	UR 380V
	YFT-RR55C-30-0V	METER	1	UR 220V
10	YFH-W1P2M-5G	LAMP	1	
11	YF1-74787-02-01	PILOT BOX	1	
12	YFT-K8500-00	HOUR METER	1	
13	YF1-52486-35-92	KEY SWITCH	1	
14	YFT-RS55H-40-A0	METER	1	UR 380V
	YFT-RS55H-12-0A	METER	1	UR 220V
15	YFT-RC55F-22-0V	METER	1	
16	YFD-ST51D-FK-V0	AVR	1	
17	YF1-56946-59-92	LAMP TIMER	1	
18	YFT-00703-14-10	TIMER RELAY	1	
19	YFT-KTS21-20-8P	TERMINAL	1	
20	YFT-KJTP2-00-6P	TERMINAL	1	UR 380V
	YFT-KUKT8-04-J0	TERMINAL	1	UR 220V
21	YFT-KF66A-D0	HOLDER,FUSE	1	
22	YFT-KF65B-D0	HOLDER,FUSE	8	
23	YFF-71650-2A-25	FUSE(2A)	1	



FWD
Q9C2600-F320

FIG. 32 ELECTRICAL 1

REF. NO.	PART NO.	DESCRIPTION	Q9C3			REMARKS
24	YFF-71610-1A-25	FUSE(1A)	8			
25	YFT-KKA25-00	CUSHION	4			
26	YFT-K1PWM-05-E5	WASHER	8			
27	YFT-KWMS0-50	WASHER,SPRING	8			
28	YFT-K1NM0-5A-50	NUT	8			
29	YFS-EC425-SP-G5	SCREW (AVR)	4			
30	YFS-EC615-SP-G5	SCREW	2			
31	YFW-P5W2K-00	VOLTAGE, REGULATOR	1			
32	YFC-T2MR1-20-5A	CURRENT,TRANSFORMER	3			
33	YFT-K3T50-15-33	AMMETER CHANGE	1			
34	YF1-G8826-06-03	EMERGENCY UNIT	1			EG-20
35	YFS-EC640-SP-G5	SCREW	2			
36	YFT-K3T10-33-37	HARNESS	1			
<hr/>						
<hr/>						
<hr/>						
<hr/>						
<hr/>						

NUMERICAL INDEX

PART NO.	REF. NO.	PART NO.	REF. NO.	PART NO.	REF. NO.	PART NO.	REF. NO.	PART NO.	REF. NO.	PART NO.	REF. NO.
YFT-00703-14-10	32 - 18	YF1-14606-35	19 - 4	YF0-48145-06	6 - 9	YF1-55212-39-60	3 - 31	YF1-58529-23-32	17 - 27	YF1-60405-21-22	11 - 31
YFT-00709-31-60	14 - 11	YF1-14606-35-30	19 - 5	YF1-49114-27-50	11 - 29	YF1-55219-36-10	4 - 24	YF1-58629-14-30	11 - 11	YF1-60500-30-40	1 - 3
YFT-02701-63-20	14 - 13	YF1-14609-33-10	19 - 17		21 - 4	YF1-55219-60-20	2 - 7	YF1-58816-40-90	18 - 36	YF1-60502-11-10	3 - 13
YFT-02709-31-10	14 - 6	YF1-14706-33-80	19 - 11	YF1-49714-27-50	12 - 19	YF1-55317-24-02	10 - 4	YF1-58816-41-10	18 - 19	YF1-60502-19-10	3 - 13
YFT-02709-31-40	14 - 10	YF0-15135-08-22	16 - 7		21 - 5	YF1-55317-24-10	10 - 5	YF1-58816-41-50	18 - 21	YF1-60515-60-13	5 - 27
YFT-02709-31-50	14 - 7	YF0-17545-06-10	10 - 3	YF0-50120-05-08	2 - 10	YF1-55317-24-22	10 - 7	YF1-58816-42-60	18 - 29	YF1-60605-10-10	11 - 1
YFT-02709-31-70	14 - 9	YF1-19827-24-60	10 - 12	YF0-50120-06-10	2 - 12	YF1-55317-24-32	10 - 8	YF1-58816-43-30	18 - 37	YF1-60605-10-60	11 - 19
YFT-02709-31-90	14 - 12	YF0-20565-00-60	6 - 22	YF0-50120-08-14	2 - 11	YF1-55317-24-42	10 - 10	YF1-58816-47-10	18 - 27	YF1-60605-15-40	11 - 20
YFT-02709-32-20	14 - 14		13 - 3	YF1-50213-36-60	2 - 20	YF1-56019-66-50	12 - 17	YF1-58816-48-01	18 - 23	YF3-62008-27-20	9 - 12
YF0-10235-06-10	4 - 9		17 - 17	YF1-51084-32-90	13 - 12		17 - 20	YF1-58816-48-10	18 - 25	YF1-62197-32-60	8 - 10
YF0-10235-06-14	5 - 34	YF0-21765-01	18 - 4	YF1-51084-36-10	13 - 9		17 - 28	YF1-58816-48-50	18 - 33	YF1-62215-44-20	17 - 29
YF0-10235-06-16	4 - 28	YF3-23321-63-10	14 - 5	YF1-51084-37-80	13 - 10		17 - 33	YF1-58816-49	18 - 34		17 - 34
	4 - 35	YF3-23329-31-80	14 - 8	YF1-52210-17-50	1 - 1	YF1-56946-59-90	20 - 5	YF1-58819-10-40	18 - 41	YF1-62215-62-80	2 - 16
	5 - 11	YF3-23329-32-02	14 - 4	YF1-52210-34-90	2 - 3	YF1-56946-59-92	32 - 17	YF1-58819-10-50	18 - 43	YF1-62217-32-70	8 - 11
	8 - 5	YF0-27615-00-40	12 - 29	YF1-52211-17-20	14 - 3	YF0-57120-05-18	4 - 26	YF1-58819-20-10	18 - 20	YF1-62219-11-22	7 - 2
	17 - 15	YF0-30245-05-10	1 - 21	YF1-52213-36-10	2 - 19	YF1-58413-90-10	20 - 9	YF1-58819-20-20	18 - 42	YF1-62225-75-11	17 - 9
	18 - 8	YF0-30245-05-20	12 - 26	YF1-52213-37	1 - 13	YF1-58414-25-01	12 - 18	YF1-58819-30-10	18 - 28	YF1-62263-21-10	7 - 5
YF0-10235-06-18	5 - 9	YFC-30BW3-62	32 - 4	YF1-52214-31-70	13 - 6	YF1-58415-10-30	11 - 3	YF1-58819-30-20	18 - 40	YF1-62267-27-02	8 - 1
	15 - 3	YF3-37807-55-50	20 - 6	YF1-52214-32-10	13 - 8	YF1-58415-10-70	11 - 12	YF1-58819-30-30	18 - 39	YF1-62316-40-60	18 - 31
YF0-10235-06-20	3 - 8	YF1-39639-20-10	19 - 23	YF1-52244-30-10	13 - 5	YF1-58415-12	11 - 10	YF1-58819-30-40	18 - 38	YF1-62390-40-22	6 - 1
YF0-10235-06-25	3 - 7	YFT-3T302-69-3R	25 - 7	YF1-52244-32	13 - 7	YF1-58415-12-30	11 - 4	YF1-59519-66-60	1 - 23	YF1-62397-34-30	8 - 19
YF0-10235-06-30	8 - 20	YFT-3T302-69-9L	25 - 2	YF1-52248-77-60	13 - 13	YF1-58415-12-40	11 - 5	YF1-59529-23-30	1 - 22	YF1-62410-34-50	1 - 9
	15 - 4	YFT-3T302-69-9R	25 - 1	YF1-52313-39-60	2 - 13	YF1-58415-12-50	11 - 13	YF1-60305-10-52	11 - 2	YF1-62410-40-92	3 - 1
YF0-10235-06-45	6 - 15	YFT-3T303-51-3L	25 - 8	YF1-52413-22-90	6 - 3	YF1-58415-12-70	11 - 16	YF1-62410-45-20	11 - 23	YF1-62410-45-40	3 - 2
YF0-10235-06-55	6 - 17	YFT-3T303-51-5L	25 - 4	YF1-52486-35-90	20 - 1	YF1-58415-12-80	11 - 15	YF1-60325-30-01	12 - 4	YF1-62410-45-60	3 - 10
	8 - 6	YFT-3T303-51-5R	25 - 3	YF1-52486-35-92	32 - 13	YF1-58415-12-90	11 - 17	YF1-60325-31-60	12 - 9	YF1-62410-48-13	3 - 4
YF0-10235-06-85	8 - 21	YFT-3T303-51-6L	25 - 6	YF1-52486-37-02	20 - 3	YF1-58415-13-50	11 - 25	YF1-60325-31-70	12 - 7	YF1-62410-51-40	1 - 17
YF0-10236-06-50	6 - 16	YFT-3T303-51-6R	25 - 5	YF1-52610-33-70	1 - 8	YF1-58415-13-60	12 - 16	YF1-60325-32-30	12 - 6	YF1-62410-51-50	1 - 18
	15 - 5	YF0-40136-00-80	6 - 37	YF1-52611-33-60	4 - 5	YF1-58415-13-80	11 - 22	YF1-60325-32-80	12 - 10	YF1-62410-53-70	1 - 20
YF0-10535-06-18	17 - 19	YF0-40155-01	18 - 5	YF1-52619-11-90	6 - 34	YF1-58415-14-90	11 - 18	YF1-60325-33-50	12 - 8	YF1-62410-55-10	1 - 26
YF0-11235-08-16	7 - 6	YF0-40156-00-80	18 - 7	YF1-52619-20-10	4 - 12	YF1-58415-15-60	11 - 8	YF1-60325-36-10	12 - 12	YF1-62410-55-50	1 - 16
YF0-11235-08-25	19 - 26	YF3-40701-60-30	9 - 6	YF1-52619-40-10	4 - 13	YF1-58415-16-22	12 - 2	YF1-60325-39-01	12 - 1	YF1-62410-55-51	15 - 6
YF0-11235-08-30	18 - 2	YF3-40701-60-70	9 - 4	YF1-52619-60-10	1 - 5	YF1-58415-18-50	12 - 24	YF1-60329-20-30	12 - 5	YF1-62410-56-70	1 - 19
YF0-11235-08-35	8 - 12	YF3-40701-60-90	9 - 5		2 - 4	YF1-58415-18-60	12 - 25	YF1-60329-40-40	12 - 11	YF1-62411-18-20	15 - 2
YF0-11236-08-14	1 - 2	YF3-41503-45-90	20 - 8	YF1-52631-23-70	16 - 6	YF1-58417-30-20	2 - 21	YF1-60329-81	12 - 13	YF1-62411-31-10	4 - 1
	6 - 36	YF1-41829-20-30	18 - 44	YF1-53219-62-60	1 - 4	YF1-58419-10-40	6 - 18	YF1-60329-85	12 - 14	YF1-62411-32-80	4 - 7
YF0-11735-10-85	18 - 3	YF0-45126-00-60	6 - 23	YF1-54011-17-20	14 - 2	YF1-58419-15	11 - 33	YF1-60329-85-10	12 - 14	YF1-62411-40-32	4 - 18
YF1-11736-31-30	19 - 25		11 - 35	YF0-54110-04-20	17 - 5	YF1-58419-20-20	17 - 26	YF1-60329-85-20	12 - 14	YF1-62411-42-30	4 - 19
YF3-12201-41-70	6 - 35		13 - 4	YF0-54110-04-28	4 - 14		17 - 31	YF1-60329-85-30	12 - 14	YF1-62411-42-40	4 - 20
YF0-13111-06-14	17 - 22		17 - 18	YF1-54519-62-70	2 - 2	YF1-58419-23-20	11 - 34	YF1-60329-85-40	12 - 14	YF1-62411-42-64	4 - 8
YF0-13111-06-20	11 - 32		17 - 23	YF1-54715-79-81	17 - 8	YF1-58419-23-30	17 - 32	YF1-60329-85-50	12 - 14	YF1-62411-43-10	4 - 17
YF1-14606-30-70	19 - 3	YF0-45126-01	18 - 6	YF1-54717-24-40	10 - 9	YF1-58419-31-10	11 - 21	YF1-60329-85-60	12 - 14	YF1-62411-43-50	4 - 10
YF1-14606-30-80	19 - 2	YF0-48140-01	17 - 4	YF1-55017-24-70	10 - 11	YF1-58419-40-22	4 - 16	YF1-60329-85-70	12 - 14	YF1-62411-44-10	4 - 11
YF1-14606-31-10	19 - 7	YF0-48140-01-50	6 - 10	YF1-55018-82-10	10 - 6	YF1-58419-45-70	11 - 9	YF1-60329-85-80	12 - 14	YF1-62411-44-30	4 - 15
YF1-14606-31-20	19 - 20	YF0-48140-01-60	7 - 7	YF1-55116-37-60	19 - 15	YF1-58419-60-20	1 - 12	YF1-60329-85-90	12 - 14	YF1-62411-45-04	1 - 14
YF1-14606-32-70	19 - 8	YF0-48141-02-80	3 - 27	YF1-55119-66-60	19 - 21	YF1-58419-66-50	11 - 24	YF1-60401-61-70	5 - 1	YF1-62411-45-20	1 - 15
YF1-14606-33-20	19 - 19	YF0-48145-03	1 - 25	YF1-55212-35-30	3 - 31	YF1-58419-66-60	11 - 26	YF1-60405-20-92	11 - 30	YF1-62411-45-23	1 - 15
YF1-14606-33-90	19 - 12		6 - 28	YF1-55212-39-50	3 - 31	YF1-58419-67-60	11 - 7	YF1-60405-21-12	11 - 31	YF1-62411-51-10	4 - 22

NUMERICAL INDEX

PART NO.	REF. NO.	PART NO.	REF. NO.	PART NO.	REF. NO.	PART NO.	REF. NO.	PART NO.	REF. NO.	PART NO.	REF. NO.
YF1-62411-62-70	4 - 27	YF1-62417-33-60	8 - 8	YF1-62648-33-42	6 - 26	YF1-62859-20-10	19 - 24	YF1-92224-32-80	13 - 11	YFT-K1NM0-6A-50	24 - 8
YF1-62411-63-20	5 - 10	YF1-62417-33-70	8 - 2	YF1-62659-66-71	7 - 4	YF1-62859-80-50	19 - 14	YF1-92376-59-10	18 - 14		25 - 15
YF1-62411-65-10	4 - 25	YF1-62417-42-50	10 - 2	YF1-62710-34-50	1 - 10	YF1-62863-37-50	7 - 3	YF0-93188-81-50	1 - 29		29 - 3
YF1-62412-13-10	3 - 15	YF1-62417-42-80	18 - 9	YF1-62711-17-70	15 - 1	YF1-62922-34-90	3 - 30	YF0-93188-90-39	9 - 9	YFT-K1NM0-8A-50	23 - 3
YF1-62412-13-30	3 - 16	YF1-62419-10-20	18 - 10	YF1-62711-32-40	4 - 3	YF1-62922-38-60	3 - 30	YF1-94347-30-14	8 - 9		23 - 8
YF1-62412-21-40	3 - 19	YF1-62419-10-40	6 - 19	YF1-62711-60-10	4 - 23	YF1-62922-38-70	3 - 30	YF1-94845-54-40	5 - 19		27 - 7
YF1-62412-23-10	3 - 20	YF1-62419-14-90	16 - 3	YF1-62712-10-50	3 - 14	YF1-62991-23-60	16 - 2	YF1-94937-41-10	10 - 1	YFT-K1NM1-0A-50	28 - 5
YF1-62412-29-70	3 - 20	YF1-62419-20-20	17 - 12	YF1-62712-10-90	3 - 14	YF1-62991-31-20	4 - 2	YF0-96614-06-50	21 - 3	YFT-K1NM1-2A-50	23 - 16
YF1-62412-29-80	3 - 20	YF1-62419-23-30	5 - 7	YF1-62712-40-10	4 - 29	YF1-62995-62-60	5 - 33	YF0-96618-02	21 - 1	YFT-K1PWM-05-E5	32 - 26
YF1-62412-30-14	3 - 21	YF1-62419-31-20	6 - 13	YF1-62712-49-80	4 - 30	YF1-63569-70-11	18 - 11	YF0-96618-04-50	21 - 2	YFT-K1PWM-06-E5	22 - 13
YF1-62412-32-50	3 - 26	YF1-62419-40-20	17 - 11	YF1-62713-20-92	6 - 29	YF6-64366-40-20	18 - 26	YFE-BM200-00	26 - 6		24 - 7
YF1-62412-32-80	3 - 25	YF1-62419-52-30	5 - 8	YF1-62714-25-02	12 - 15	YF6-64366-40-40	18 - 22	YF1-C0101-31-50	4 - 6	YFT-K1PWM-08-E5	23 - 5
YF1-62412-34-70	3 - 28	YF1-62419-56-90	11 - 27	YF1-62715-12-20	11 - 6	YF3-66022-32-40	6 - 38	YF1-C0106-58-30	18 - 15		23 - 10
YF1-62412-34-80	3 - 29	YF1-62419-60-10	2 - 6	YF1-62715-14-30	11 - 14	YF1-66161-16-20	14 - 1	YF1-C0106-58-80	18 - 16	YFT-K1PWM-10-E5	23 - 14
YF1-62412-39-10	3 - 28	YF1-62419-62-62	2 - 15	YF1-62715-37-12	12 - 20	YF1-66316-58-40	18 - 13	YF1-C0106-59-10	18 - 17		28 - 4
YF1-62412-39-20	3 - 28	YF1-62459-15-30	6 - 21	YF1-62715-37-22	12 - 21	YF1-66526-43-10	18 - 35	YF6-C0405-54-12	20 - 2		29 - 14
YF1-62412-39-30	3 - 29	YF1-62459-15-40	6 - 25	YF1-62715-37-32	12 - 22	YF1-66526-47-70	18 - 24	YF1-E0230-10-17	2 - 1	YFT-K3700-03-10	30 - 8
YF1-62412-39-40	3 - 29		17 - 16	YF1-62715-37-42	12 - 23	YF1-66526-47-80	18 - 30	YFS-EC36S-PW-G5	32 - 6	YFT-K3T10-33-37	32 - 36
YF1-62412-41-10	3 - 22	YF1-62517-30-34	8 - 13	YF1-62715-53-13	5 - 13	YF1-66786-42-30	18 - 32	YFS-EC425-SP-G5	32 - 29	YFT-K3T20-10-65	22 - 17
YF1-62412-42-50	4 - 34	YF1-62590-42-10	6 - 24	YF1-62715-53-50	2 - 18	YF1-66786-58-30	18 - 12	YFS-EC48S-PW-G6	32 - 7	YFT-K3T20-14-68	31 - 6
YF1-62412-43-20	4 - 33	YF1-62590-55-81	1 - 30	YF1-62715-54-10	5 - 23	YF1-66839-60-20	2 - 5	YFS-EC516-SP-G5	32 - 8	YFT-K3T20-16-82	27 - 9
YF1-62412-43-60	4 - 31	YF1-62591-17-73	15 - 1	YF1-62715-60-24	17 - 6	YF1-69201-24-10	16 - 8	YFS-EC615-SP-G5	32 - 30	YFT-K3T30-17-19	22 - 10
YF1-62412-43-70	4 - 32	YF1-62593-28-82	6 - 7	YF1-62715-71-52	17 - 2	YF1-69201-24-30	16 - 9	YFS-EC640-SP-G5	32 - 35	YFT-K3T30-18-86	22 - 1
YF1-62412-51-60	6 - 32	YF1-62593-29-02	6 - 8	YF1-62715-77-20	17 - 13	YFF-71610-1A-25	32 - 24	YF1-G0315-42-10	17 - 31	YFT-K3T30-26-90	27 - 1
YF1-62413-36-50	2 - 14	YF1-62593-51-32	6 - 12	YF1-62715-77-21	17 - 7	YFF-71650-2A-25	32 - 23	YF1-G0320-55-11	1 - 26	YFT-K3T30-26-95	24 - 3
YF1-62413-50-70	6 - 11	YF1-62595-40-90	17 - 24	YF1-62715-77-40	17 - 10	YF1-72037-28-60	9 - 10	YF1-G0325-61-31	5 - 28	YFT-K3T30-26-96	25 - 9
YF1-62413-56-30	3 - 24	YF1-62595-41-02	17 - 25	YF1-62716-55-60	12 - 28	YF1-72086-00-10	17 - 21	YF1-G0325-61-51	5 - 31	YFT-K3T30-27-68	27 - 5
YF1-62413-69-30	6 - 5	YF1-62597-35-12	8 - 17	YF1-62719-20-10	16 - 4	YF1-72150-46-10	6 - 33	YF1-G0325-64-71	5 - 29	YFT-K3T30-32-16	32 - 1
YF1-62413-69-50	6 - 4	YF1-62597-35-20	8 - 14	YF1-62719-52-30	3 - 23	YF1-73317-33-42	1 - 16	YF1-G0655-36-11	12 - 12	YFT-K3T30-32-17	32 - 3
YF1-62414-20-10	11 - 28	YF1-62597-35-52	8 - 15	YF1-62719-61-60	2 - 9	YF1-73919-61-60	2 - 8	YF1-G0655-39-01	12 - 1	YFT-K3T30-32-19	31 - 1
YF1-62415-11-13	5 - 5	YF1-62599-10-40	6 - 20	YF1-62725-11-51	5 - 4	YF1-74563-64-10	7 - 8	YF1-G0721-45-06	1 - 14	YFT-K3T30-32-20	31 - 5
YF1-62415-11-90	5 - 6	YF1-62610-40-40	3 - 9	YF1-62816-55-11	12 - 27	YF1-74563-64-20	7 - 9	YF1-G0740-30-43	1 - 3	YFT-K3T30-32-21	23 - 1
YF1-62415-41-20	17 - 30	YF1-62610-40-50	3 - 11	YF1-62820-40-60	3 - 12	YF1-74787-02-01	20 - 7	YF1-G0780-33-11	1 - 11	YFT-K3T30-33-18	32 - 2
YF1-62415-50-62	5 - 17	YF1-62611-33-31	4 - 4	YF1-62825-50-13	5 - 12		32 - 11	YF1-G3477-20-60	9 - 1	YFT-K3T30-35-18	26 - 1
YF1-62415-52-60	5 - 18	YF1-62611-35-41	1 - 6	YF1-62825-53-20	5 - 15	YF1-75385-11-50	5 - 4	YF1-G3477-23-30	9 - 3	YFT-K3T50-12-24	26 - 7
YF1-62415-52-70	5 - 16	YF1-62611-35-61	1 - 7	YF1-62829-60-10	2 - 17	YF1-75388-30-40	8 - 3	YF1-G5133-65-50	7 - 10	YFT-K3T50-12-72	30 - 6
YF1-62415-53-92	5 - 14	YF1-62616-38-22	6 - 31	YF1-62850-15	7 - 1	YF1-75801-60-60	9 - 2	YF1-G6427-30-50	8 - 16	YFT-K3T50-12-91	30 - 14
YF1-62415-54-50	5 - 20	YF1-62619-60-21	6 - 2	YF1-62850-44-61	3 - 5	YF0-77150-02-01	6 - 6	YF1-G6731-55-51	4 - 21	YFT-K3T50-15-32	30 - 15
YF1-62415-54-63	5 - 21	YF1-62619-73-01	5 - 2	YF1-62851-23-10	16 - 1	YF1-89013-02-70	21 - 6	YF1-G6807-28-70	9 - 11	YFT-K3T50-15-33	32 - 33
YF1-62415-55-54	5 - 24	YF1-62619-73-11	5 - 3	YF1-62855-20-32	13 - 1		26 - 2	YF1-G6907-41-20	24 - 5	YFT-K4430-02-80	31 - 3
YF1-62415-62-10	5 - 35	YF1-62619-73-21	5 - 22	YF1-62855-64-12	5 - 26	YF1-90775-36-50	12 - 3	YF1-G6960-10-12	2 - 1	YFT-K4430-04-20	31 - 8
YF1-62415-62-50	5 - 32	YF1-62640-41-30	6 - 14	YF1-62855-64-80	5 - 25	YFE-91513-31-40	1 - 24	YF1-G7002-19-81	3 - 18	YFT-K4440-00-26	29 - 2
YF1-62415-63-30	5 - 30	YF1-62640-43-60	3 - 3	YF1-62856-30-10	19 - 1		6 - 27	YF1-G7002-20-12	3 - 17	YFT-K4440-00-9B	29 - 7
YF1-62415-63-40	5 - 36	YF1-62640-48-20	3 - 6	YF1-62856-30-20	19 - 13	YF1-92022-35-40	3 - 32	YF1-G8010-51-21	1 - 28	YFT-K4440-00-9R	29 - 9
YF1-62415-71-62	17 - 3	YF1-62645-21-40	13 - 2	YF1-62856-30-30	19 - 9	YF1-92022-39-70	3 - 32	YF1-G8826-06-03	32 - 34	YFT-K4700-07-40	30 - 12
YF1-62416-44-20	18 - 1	YF1-62645-72-10	17 - 14	YF1-62856-30-40	19 - 6	YF1-92022-39-80	3 - 32	YF1-G9110-52-03	1 - 27	YFT-K4700-08-10	30 - 13
YF1-62417-33-40	8 - 18	YF1-62647-29-20	8 - 4	YF1-62856-32	19 - 10	YF1-92126-31	19 - 16	YFT-K1NM0-5A-50	32 - 28	YFT-K4E50-10-50	30 - 4
YF1-62417-33-50	8 - 7	YF1-62648-31-52	17 - 35	YF1-62856-35-70	19 - 22	YF1-92129-71-30	19 - 18	YFT-K1NM0-6A-50	22 - 14	YFT-K4T30-20-93	29 - 1

NUMERICAL INDEX

PART NO.	REF. NO.	PART NO.	REF. NO.	PART NO.	REF. NO.	PART NO.	REF. NO.	PART NO.	REF. NO.	PART NO.	REF. NO.
YFT-K4T30-27	27 - 4	YFT-KWMS0-80	22 - 3	YFT-WKC00-64-ST	22 - 7						
YFT-K4T30-27-71	24 - 1		22 - 20	YFT-WKC00-85-ST	22 - 7						
YFT-K4T30-27-72	27 - 6		23 - 4	YFT-Y9901-00-0A	26 - 3						
YFT-K4T30-28-53	23 - 6		23 - 9								
	23 - 11	YFT-KWMS1-00	22 - 9								
YFT-K4T30-35-19	25 - 16		23 - 13								
YFT-K4T50-10-42	30 - 3		29 - 13								
YFT-K4T50-10-43	30 - 5	YFS-M0615-SP-A5	22 - 18								
YFT-K4T50-11-27	30 - 7	YFX-M100C-S6-33	32 - 8								
YFT-K4T50-11-28	30 - 10	YFB-M1020-C5-12	29 - 12								
YFT-K4T50-11-29	30 - 11	YFB-M1025-B5-12	22 - 8								
YFT-K4T50-11-30	30 - 9		23 - 12								
YFT-K4T50-12-48	31 - 10	YFS-M1025-SP-A5	28 - 3								
YFT-K4T50-14-38	30 - 2	YFS-M1030-SW-A6	26 - 5								
YFT-K4T50-14-39	30 - 2	YFX-M30NB-32-A3	32 - 8								
YFT-K4T50-14-50	30 - 1	YFS-M515S-PW-A6	27 - 10								
YFT-K4T50-14-53	30 - 1	YFS-M614S-PW-A6	25 - 14								
YF1-K5227-28-50	9 - 7	YFS-M615S-PW-A5	24 - 6								
YF1-K5227-29-40	9 - 8	YFS-M625S-PW-A6	31 - 2								
YF1-K5521-21-11	16 - 5		31 - 4								
YF1-K5522-50-10	6 - 30	YFS-M816S-PW-A6	25 - 11								
YF1-K5746-02-20	20 - 4		25 - 12								
YF1-K5746-40-15	18 - 18	YFS-M820S-PW-A6	24 - 2								
YF1-K5746-46-04	18 - 45		24 - 4								
YF1-K5915-70-15	17 - 1		25 - 10								
YFT-K8500-00	32 - 12		25 - 13								
YFT-KB102-71-30	32 - 5		25 - 17								
YFT-KBM06-35-A5	22 - 5		26 - 4								
	22 - 11		27 - 2								
YFT-KBM08-20-C5	22 - 19		27 - 3								
YFT-KBM08-30-A5	22 - 2		27 - 8								
YFT-KBM12-65-A5	23 - 15	YFB-M825A-SS-Y0	29 - 11								
YFT-KF65B-D0	32 - 22	YFW-P5W2K-00	32 - 31								
YFT-KF66A-D0	32 - 21	YFT-RC55F-22-0V	32 - 15								
YFT-KG016-L3-38	31 - 9	YFT-RR55C-30-0V	32 - 9								
YFT-KJTP2-00-6P	32 - 20	YFT-RR55C-44-0V	32 - 9								
YFT-KJTP2-01-2P	31 - 7	YFT-RS55H-12-0A	32 - 14								
YFT-KKA25-00	32 - 25	YFT-RS55H-40-A0	32 - 14								
YFT-KKA45-00	23 - 2	YFD-ST51D-FK-V0	32 - 16								
	23 - 7	YF3-T1030-79-01	29 - 8								
YFT-KM516-63-4C	29 - 5	YF3-T1030-79-02	29 - 6								
YFS-KMT15-0V-S0	28 - 1	YF3-T1030-79-03	29 - 10								
YFT-KNO63-06-ZZ	22 - 16	YFC-T2MR1-20-5A	32 - 32								
YFT-KTS21-20-8P	32 - 19	YFS-TM150-VS-W3	28 - 2								
YFT-KUKT8-04-J0	32 - 20	YFK-TWMS0-60	29 - 4								
YFT-KWMS0-50	32 - 27	YFH-W1P2M-5G	32 - 10								
YFT-KWMS0-60	22 - 6	YFT-WKC00-49-ST	22 - 4								
	22 - 12	YFT-WKC00-64-RT	22 - 15								