

PARTS CATALOGUE

EDL20000TE (Q9C2) OTHERS



1F9C2-600E1

()

2009-1-19

NEWS NO.	DATE	COMMENT
PE0-GE-080004	JAN.,19,2009	EDL20000TE(Q9C2) PARTS CATALOGUE CORRECTIONS

EDL20000TE
PARTS CATALOGUE
©2007 by Yamaha Motor Co., Ltd.
1st edition, June 2007
All rights reserved.
Any reprinting or unauthorized use
without the written permission of
Yamaha Motor Co., Ltd.
is expressly prohibited.
Printed in Japan.

FOREWORD

This Parts Catalogue is related to the parts for the model(s) on the cover page. When you are ordering replacement parts, please refer to this Parts Catalogue and quote both part numbers and part names correctly.

1. Modifications or additions which have been made after the issue of the Parts Catalogue will be announced in the Parts News.

It is advisable that you make the necessary corrections to the Parts Catalogue according to the Parts News.

2. Abbreviations

The following abbreviations are used in this Parts Catalogue.

“UR” Use specified parts number.

“UN” Use as many as needed.

“AP” Alternate Parts

“LM” Locally Made (Parts need to be ordered locally)

“F#” Frame No. (Applicable machine No.)

“O/S” Over Size

3. The number of components for assembly

- Parts, which are to be supplied in an assembly, are listed with a dot (.) in front of the part name as shown below.
- The numeral appearing to the right of each component part indicates the quantity of parts for each assembly unit.

PART NO.	DESCRIPTION	Q'TY	REMARKS
2F5-83310-60	FRONT FLASHER LIGHT ASSY	2	
115-83311-60	.BULB (6V-18W)	1	

4. Applicable colours of graphics are represented in the “REMARKS” as shown below.

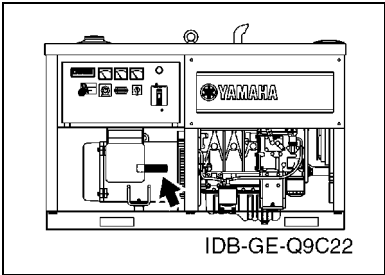
PART NO.	DESCRIPTION	Q'TY	REMARKS
2N4-24110-00-X5	FUEL TANK COMP.	2	MXR
3J1-24240-10	.GRAPHIC, FUEL TANK	1	FOR MXR

5. Note that the illustrations for reference in finding parts numbers are not to be used for assembling. When assembling, please use the applicable service manual.

6. The asterisk (*) before a reference number indicates modified items after the first edition.

FOREWORD

7. Applicable Serial No.
 Frame Serial No.



8. Applicable Colour Code (The (*) mark shows Model colour.)

Abbreviation	Colour Name	Colour Code

9. Applicable Starting Serial No.
 *****Serial NO.

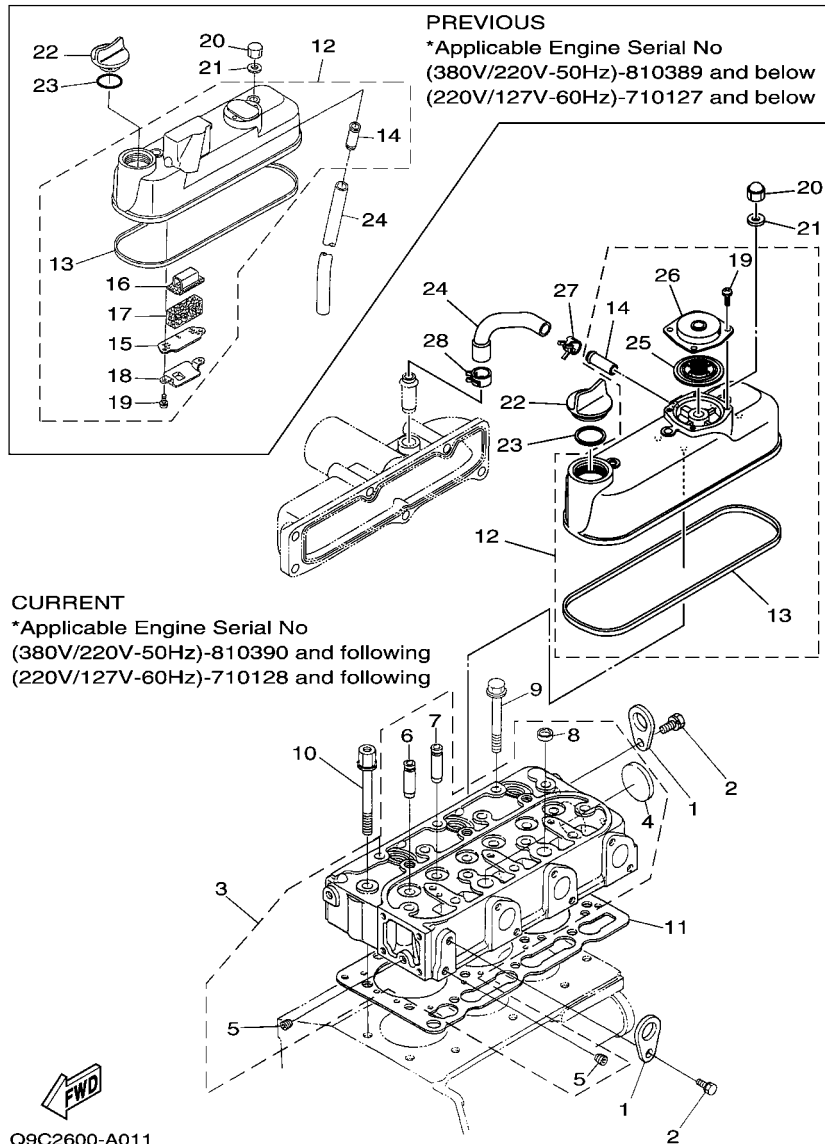
Model	Model Code	Destination	Voltage	Serial NO.
EDL20000TE	Q9C2	OTHERS	380V/220V-50Hz	Q9C2-800101
EDL20000TE	Q9C2	OTHERS	220V/127V-60Hz	Q9C2-700101

CONTENTS

CYLINDER HEAD	1
CYLINDER BLOCK	3
PISTON & CRANKSHAFT	4
VALVE SYSTEM	6
GOVERNOR	8
TIMING GEAR CASE	10
LUBRICATION 1	12
COOLING SYSTEM	13
RADIATOR & HOSE	14
RESERVE TANK	15
INJECTION PUMP	16
INJECTION NOZZLE	18
FUEL SYSTEM 2	20
AIR CLEANER	21
INTAKE	22
EXHAUST 1	23
CONTROL UNIT	24
GENERATOR	26
STARTING MOTOR	28
ELECTRICAL	29
ALTERNATE 1	30
GENERATOR 1	31
ENGINE MOUNT	32
FRAME	33
COVER	34
PANEL & COVER	35
FUEL TANK	36
FRAME 2	37
FRAME 3	38
LABEL	39
FRAME 4	40
ELECTRICAL 1	41

INDEX

NUMERICAL INDEX	43
-----------------------	----

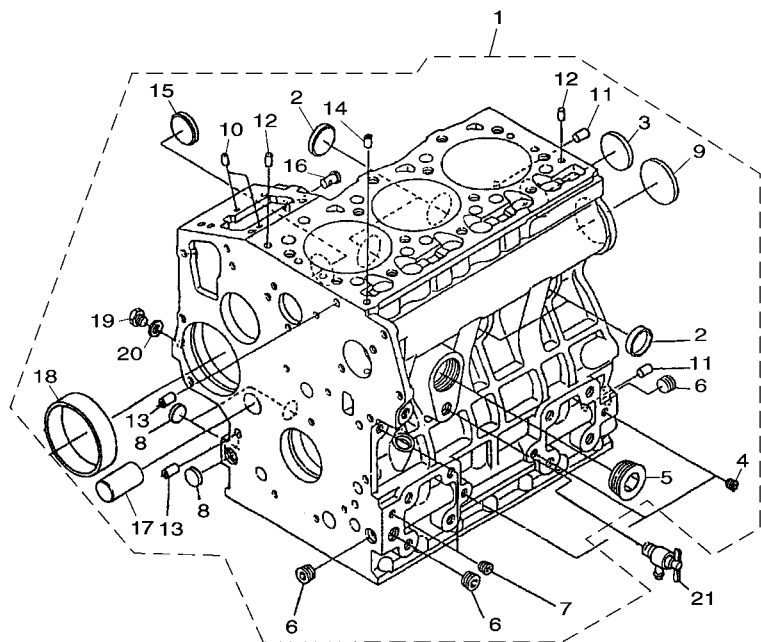


Q9C2600-A011

FIG. 1 CYLINDER HEAD

REF. NO.	PART NO.	DESCRIPTION	Q9C2				REMARKS
1	YF1-52210-17-50	HOOK,ENGINE	2				
2	YF0-11236-08-14	BOLT	2				
3	YF1-60250-30-40	CYLINDER HEAD COMP.	1				PREVIOUS
	YF1-G0430-30-43	CYLINDER HEAD COMP.	1				CURRENT
4	YF1-53219-62-60	.PLUG,EXPANSION	1				
5	YF1-52619-60-10	.PLUG	2				
6	YF1-62611-35-41	.INLET VALVE GUIDE	3				
7	YF1-62611-35-61	.EXHAUST VALVE GUIDE	3				
8	YF1-52610-33-70	.PLUG,EXPANSION	2				
9	YF1-62410-34-50	HEAD BOLT	12				
10	YF1-62710-34-50	HEAD BOLT	2				
11	YF1-G0400-33-11	HEAD GASKET	1				
12	YF1-62611-45-03	HEAD COVER ASSY.	1				PREVIOUS
	YF1-G0321-45-06	HEAD COVER ASSY	1				CURRENT
13	YF1-62611-45-20	.HEAD COVER PACKING	1				PREVIOUS
	YF1-62611-45-23	.GASKET,HEAD COVER	1				CURRENT
14	YF1-62410-55-50	.BREATHER PIPE FRANGE	1				PREVIOUS
	YF1-73317-33-42	.PIPE,WATER RETURN	1				CURRENT
15	YF1-62410-51-40	.BREATHER ELEMENT PLATE 1	1				PREVIOUS
16	YF1-62410-51-50	.BREATHER ELEMENT PLATE 2	1				PREVIOUS
17	YF1-62410-56-70	.BREATHER ELEMENT	1				PREVIOUS
18	YF1-62410-53-70	.BREATHER OIL SHIELD	1				PREVIOUS
19	YF0-30245-05-10	.SCREW,WITH WASHER	4				CURRENT
20	YF1-59529-23-30	NUT,CROWN	3				
21	YF1-59519-66-60	PACKINNG	3				
22	YFE-91513-31-40	PLUG(FUEL FEED)	1				
23	YF0-48145-03	O-RING	1				

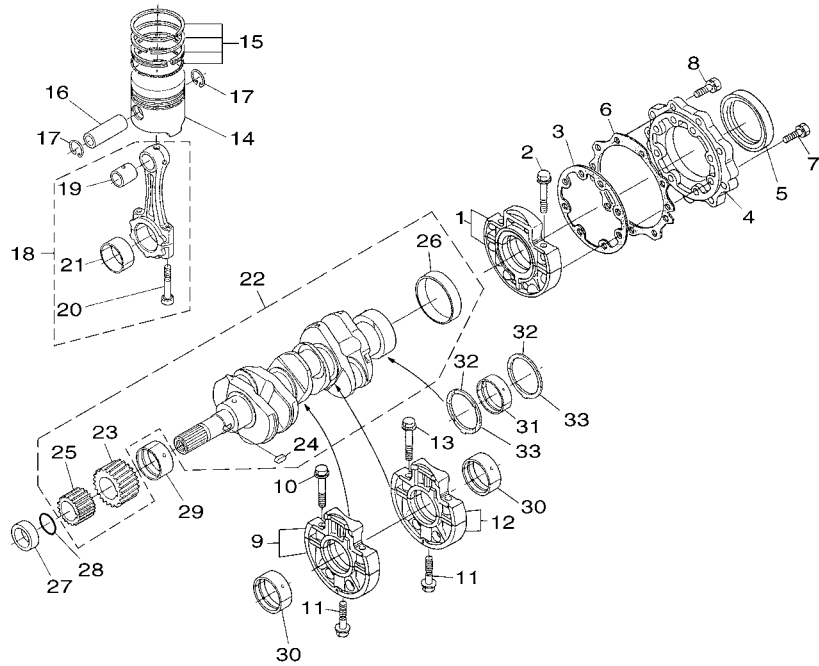
FIG. 2 CYLINDER BLOCK



CURRENT
 *Applicable Engine Serial No
 (380V/220V-50Hz)-810390 and following
 (220V/127V-60Hz)-710128 and following


 Q9C2600-F020

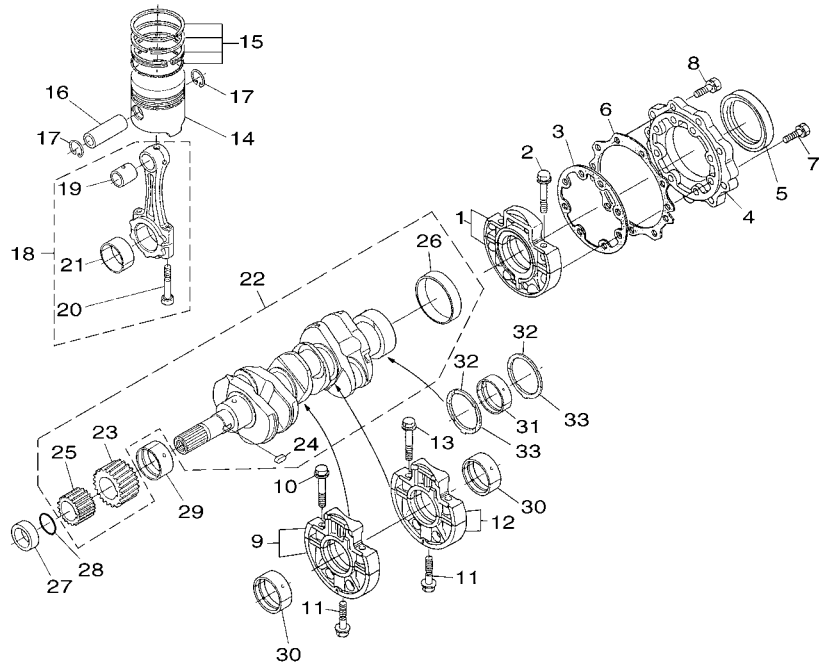
REF. NO.	PART NO.	DESCRIPTION	Q9C2				REMARKS
1	YF1-E0230-10-17	CRANKCASE COMP	1				PREVIOUS
	YF1-G6920-10-13	CRANKCASE COMP.	1				CURRENT
2	YF1-54519-62-70	.PLUG,EXPANSION	4				
3	YF1-52210-34-90	.PLUG,EXPANSION	1				
4	YF1-52619-60-10	.PLUG	3				
5	YF1-66839-60-20	.PLUG(PT1)	1				
6	YF1-62419-60-10	.PLUG	3				
7	YF1-55219-60-20	.PLUG	2				
8	YF1-73919-61-60	.PLUG	3				
9	YF1-62719-61-60	.PLUG	1				
10	YF0-50120-05-08	.PIN	2				
11	YF0-50120-08-14	.PIN	2				
12	YF0-50120-06-10	.PIN,STRIGHT(6-10)	2				
13	YF1-52313-39-60	.PIN,PIPE	2				
14	YF1-62413-36-50	.PIN,PIPE	1				
15	YF1-62419-62-62	.PLUG(FUEL CAMSHAFT)	1				
16	YF1-62615-62-80	.START SPRING PIN	1				
17	YF1-62829-60-10	.PLUG	1				
18	YF1-62715-53-50	.GOVERNOR GEAR BUSH	1				
19	YF1-52213-36-10	.PLUG	1				
20	YF1-50213-36-60	.PACKING	1				
21	YF1-58417-30-20	DRAIN COCK ASSY	1				



Q9CE600-F030

FIG. 3 PISTON & CRANKSHAFT

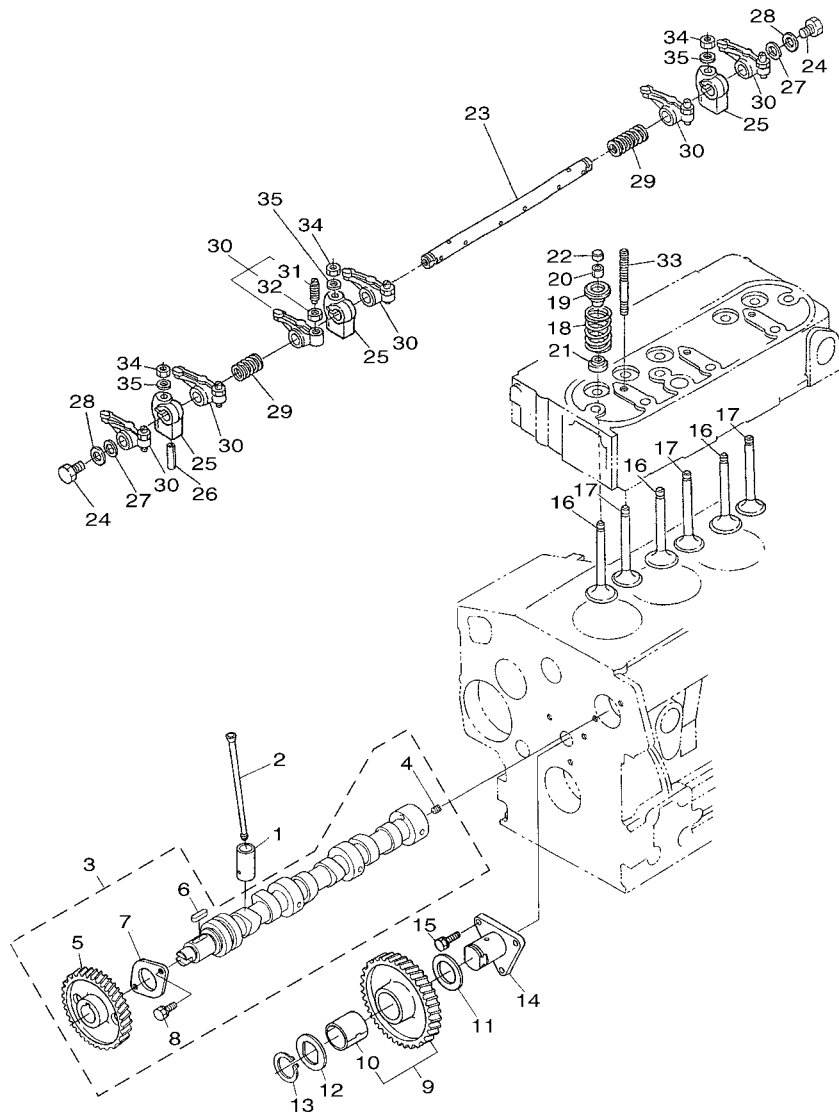
REF. NO.	PART NO.	DESCRIPTION	Q9C2				REMARKS
1	YF1-62410-40-92	MAIN BEARING CASE ASSY. WHEEL	1				
2	YF1-62410-45-40	BEARING CASE BOLT 1	2				
3	YF1-62640-43-60	GASKET(BRG.CASE NA)	1				
4	YF1-62410-48-13	COVER(BEARING CASE)	1				
5	YF1-62850-44-61	OIL SEAL	1				
6	YF1-62640-48-20	GASKET(CASE COVER NA)	1				
7	YF0-10235-06-25	BOLT	8				
8	YF0-10235-06-20	BOLT	9				
9	YF1-62610-40-40	MAIN BEARING CASE ASSY. 1	1				
10	YF1-62410-45-40	BEARING CASE BOLT 1	2				
11	YF1-62410-45-60	BEARING CASE BOLT 2	2				
12	YF1-62610-40-50	MAIN BEARING CASE ASSY. 2	1				
13	YF1-62410-45-40	BEARING CASE BOLT 1	2				
14	YF1-60502-11-10	PISTON	3				
	YF1-60502-19-10	PISTON 05	3				AP
15	YF1-62712-10-50	PISTON RING ASSY.	3				
	YF1-62712-10-90	PISTON RING ASSY. 05	3				AP
16	YF1-62412-13-10	PISTON PIN	3				
17	YF1-62412-13-30	CIRCLIP,PISTON PIN	6				
18	YF1-G7002-20-12	CONNECTING ROD ASSY	3				
19	YF1-G7002-19-81	.PISTON PIN BUSH	3				
20	YF1-62412-21-40	.ROD BOLT	6				
21	YF1-62412-23-10	.CRANK PIN METAL	3				
	YF1-62412-29-70	.CRANK PIN METAL 02	3				AP
	YF1-62412-29-80	.CRANK PIN METAL 04	3				AP
22	YF1-62352-30-13	CRANKSHAFT COMP.	1				
23	YF1-62412-41-10	.CRANK GEAR	1				



Q9CE600-F030

FIG. 3 PISTON & CRANKSHAFT

REF. NO.	PART NO.	DESCRIPTION	Q9C2				REMARKS
24	YF1-62719-52-30	.KEY	1				
25	YF1-62413-56-30	.OIL PUMP DRIVE GEAR	1				
26	YF1-62412-32-80	.SLEEVE,CRANK SHAFT	1				
27	YF1-62412-32-50	COLLAR,CRANK SHAFT	1				
28	YF0-48141-02-80	O-RING	1				
29	YF1-62412-34-70	CRANK SHAFT METAL 1	1				
	YF1-62412-39-10	CRANK SHAFT METAL 1 02	1				AP
	YF1-62412-39-20	CRANK SHAFT METAL 1 04	1				AP
30	YF1-62412-34-80	CRANK SHAFT METAL 2	2				
	YF1-62412-39-30	CRANK SHAFT METAL 2 02	2				AP
	YF1-62412-39-40	CRANK SHAFT METAL 2 04	2				AP
31	YF1-62922-34-90	CRANK SHAFT METAL 3	1				
	YF1-62922-38-60	CRANK SHAFT METAL 3 02	1				AP
	YF1-62922-38-70	CRANK SHAFT METAL 3 04	1				AP
32	YF1-55212-35-30	SIDE METAL 1	2				
	YF1-55212-39-50	SIDE METAL 1 02	2				AP
	YF1-55212-39-60	SIDE METAL 1 04	2				AP
33	YF1-92022-35-40	SIDE METAL 2	2				
	YF1-92022-39-70	SIDE METAL 2 02	2				AP
	YF1-92022-39-80	SIDE METAL 2 04	2				AP

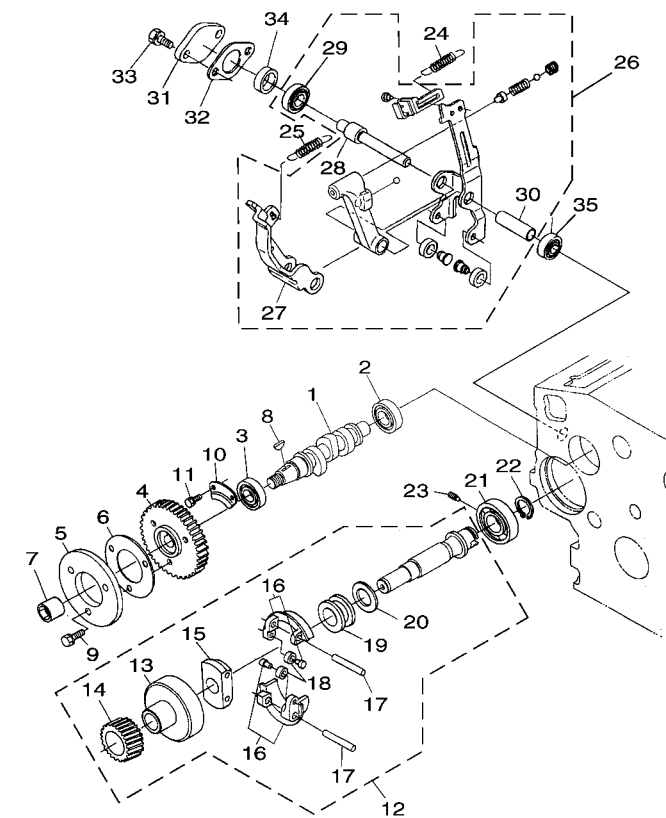


Q9C2600-A040

FIG. 4 VALVE SYSTEM

REF. NO.	PART NO.	DESCRIPTION	Q9C2				REMARKS
1	YF1-G6731-55-51	TAPPET	6				
2	YF1-62411-51-10	PUSH ROD	6				
3	YF1-62611-60-10	CAMSHAFT ASSY	1				
4	YF1-55219-36-10	.SCREW,SET	1				
5	YF1-62411-65-10	.CAM GEAR	1				
6	YF0-57120-05-18	.KEY	1				
7	YF1-62411-62-70	.STOPPER,CAMSHAFT	1				
8	YF0-10235-06-16	.BOLT	2				
9	YF1-62712-40-10	IDLE GEAR COMP. 1	1				
10	YF1-62712-49-80	.IDLE GEAR BUSH 03	1				
11	YF1-62412-43-60	IDLE GEAR COLLAR 1	1				
12	YF1-62412-43-70	IDLE GEAR COLLAR 2	1				
13	YF1-62412-43-20	CIRCLIP,IDLE GEAR	1				
14	YF1-62412-42-50	IDLE GEAR SHAFT 1	1				
15	YF0-10235-06-16	BOLT	3				
16	YF1-62411-31-10	INLET VALVE	3				
17	YF1-62991-31-20	EXHAUST VALVE	3				
18	YF1-62711-32-40	VALVE SPRING	6				
19	YF1-62611-33-31	RETAINER,VALVE SPR.	6				
20	YF1-52611-33-60	COLLET, VALVE SP.(EDL6500)	6				
21	YF1-C0101-31-50	SEAL(VALVE STEM)	6				
22	YF1-62411-32-80	CAP (EDL6500)	6				
23	YF1-62611-42-64	SHAFT,ROCKER ARM	1				
24	YF0-10235-06-10	BOLT	2				
25	YF1-62411-43-50	BRACKET,ROCKER ARM	3				
26	YF0-54110-04-28	SPRING PIN	1				
27	YF1-62411-44-30	WASHER,ROCKER ARM 1	2				

FIG. 5 GOVERNOR

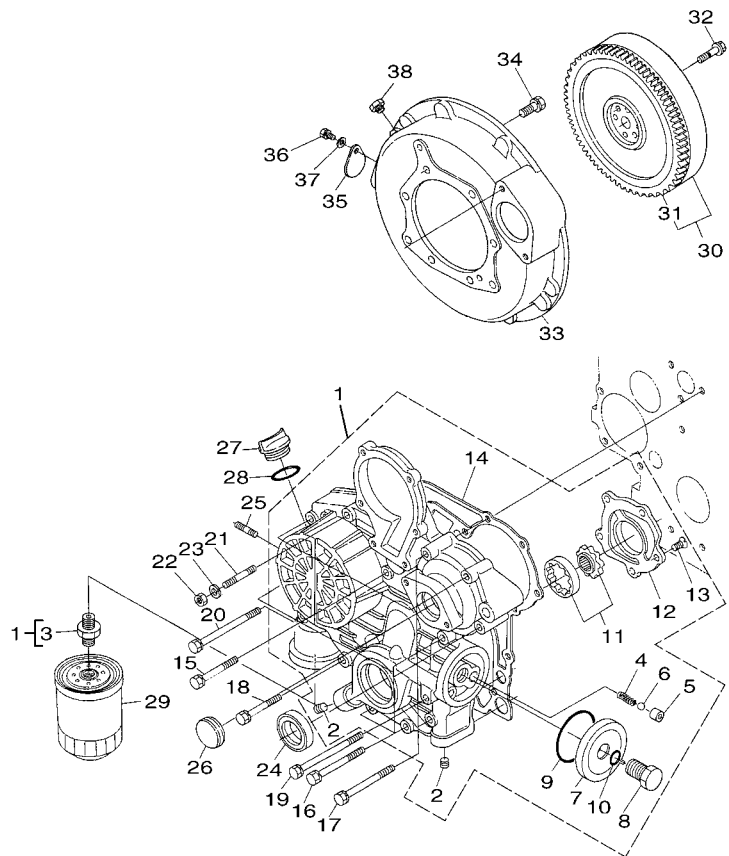


FWD
Q9C2600-F050

CURRENT
*Applicable Engine Serial No
(380V/220V-50Hz)-810390 and following
(220V/127V-60Hz)-710128 and following

REF. NO.	PART NO.	DESCRIPTION	Q9C2				REMARKS
1	YF1-60201-61-70	CAMSHAFT(FUEL)	1				
2	YF1-62619-73-01	BALL BEARING	1				
3	YF1-62619-73-11	BEARING	1				
4	YF1-75385-11-50	INJECTION PUMP GEAR	1				PREVIOUS
	YF1-62725-11-51	INJECTION PUMP GEAR	1				CURRENT
5	YF1-62415-11-13	CAM(FUEL)	1				
6	YF1-62415-11-90	WASHER	1				
7	YF1-62419-23-30	NUT,CROWN	1				
8	YF1-62419-52-30	KEY,WOODRUF	1				
9	YF0-10235-06-18	BOLT	3				
10	YF1-62411-63-20	STOPPER,FUEL CAMSHAFT	1				
11	YF0-10235-06-16	BOLT	2				
12	YF1-62655-50-13	GOVERNOR SHAFT ASSY	1				
13	YF1-62415-53-92	.HOLDER(GOVERNOR)	1				
14	YF1-62825-53-20	.GOVERNOR GEAR	1				
15	YF1-62415-52-70	.GOVERNOR WEIGHT HOLDER	1				
16	YF1-62415-50-62	.WEIGHT COMP.(GOVERNOR)	2				
17	YF1-62415-52-60	.GOVERNOR WEIGHT SHAFT	2				
18	YF1-94845-54-40	.ROLLER	2				
19	YF1-62415-54-50	.GOVERNOR SLEEVE	1				
20	YF1-62415-54-63	.WASHER,THRUST	1				
21	YF1-62619-73-21	BALL BEARING	1				
22	YF1-62715-54-10	CIRCLIP,GOVERNOR SHAFT	1				
23	YF1-62415-55-54	SCREW,STOPPER	1				
24	YF1-62655-64-80	START SPRING	1				
25	YF1-62855-64-12	SPRING(1,GOVERNOR)	1				
26	YF1-60515-60-13	LEVER ASSY.(FORK)	1				

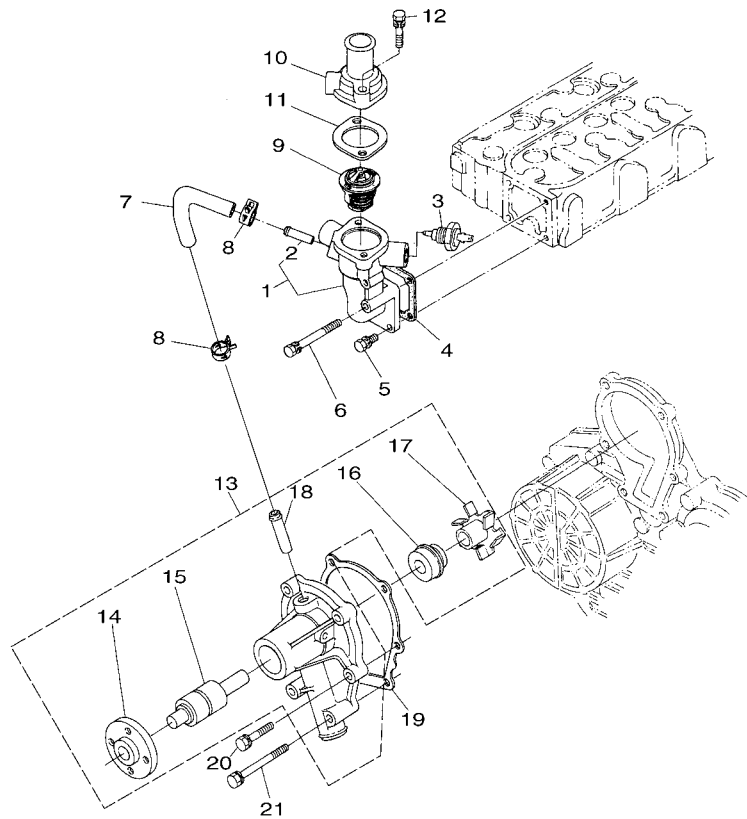
FIG. 6 TIMING GEAR CASE




Q9C2600-A060

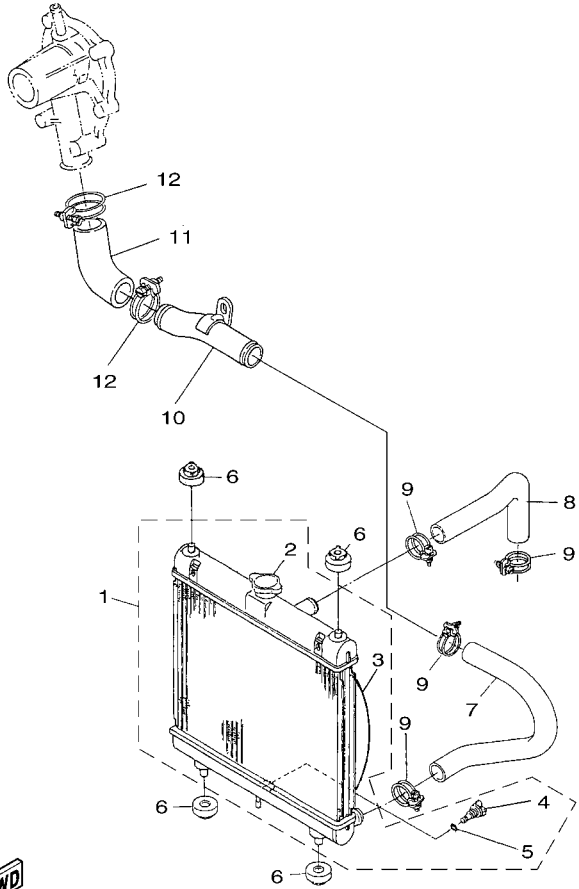
REF. NO.	PART NO.	DESCRIPTION	Q9C2				REMARKS
1	YF1-62390-40-22	GEAR CASE COMP	1				
2	YF1-62619-60-21	.PLUG	5				
3	YF1-52413-22-90	.NIPPLE	1				
4	YF1-62413-69-50	.SPRING	1				
5	YF1-62413-69-30	.VALVE SHEET	1				
6	YF0-77150-02-01	.BALL	1				
7	YF1-62593-28-82	.COVER	1				
8	YF1-62593-29-02	.BOLT	1				
9	YF0-48145-06	.O-RING	1				
10	YF0-48140-01-50	.O-RING	1				
11	YF1-62413-50-70	.OIL PUMP ROTOR ASSY.	1				
12	YF1-62593-51-32	.OIL PUMP COVER	1				
13	YF1-62419-31-20	.SCREW,PANHEAD	5				
14	YF1-62640-41-30	.GASKET(GEAR CASE,NA)	1				
15	YF0-10235-06-45	BOLT	3				
16	YF0-10236-06-50	BOLT,WITH WASHER	4				
17	YF0-10235-06-55	BOLT	2				
18	YF1-58419-10-40	BOLT	1				
19	YF1-62419-10-40	BOLT(M6X68)	2				
20	YF1-62599-10-40	BOLT(M6X82)	1				
21	YF1-62459-15-30	STUD	1				
22	YF0-20565-00-60	NUT	1				
23	YF0-45126-00-60	WASHER,SPRING	1				
24	YF1-62590-42-10	OIL SEAL	1				
25	YF1-62459-15-40	STUD	2				
26	YF1-62648-33-42	COVER(HOUR METER GEAR GASE)	1				
27	YFE-91513-31-40	PLUG(FUEL FEED)	1				

FIG. 8 COOLING SYSTEM



Q9C2600-A080

REF. NO.	PART NO.	DESCRIPTION	Q9C2				REMARKS
1	YF1-62267-27-02	FLANGE,COMP.(WATER)	1				
2	YF1-62417-33-70	.PIPE,WATER RETURN	1				
3	YF1-75388-30-40	SWITCH,THERMOSTAT	1				
4	YF1-62647-29-20	GASKET(WATER FLANGE,NA)	1				
5	YF0-10235-06-16	BOLT	3				
6	YF0-10235-06-55	BOLT	1				
7	YF1-62417-33-50	WATER RETURN PIPE 2	1				
8	YF1-62417-33-60	CLIP,PIPE	2				
9	YF1-94347-30-14	THERMOSTAT ASSY.	1				
10	YF1-62197-32-60	THERMOSTAT COVER	1				
11	YF1-62217-32-70	GASKET(THERMOSTAT,NA)	1				
12	YF0-11235-08-35	BOLT (7LR1)	2				
13	YF1-62517-30-34	PUMP ASSY.(WATER)	1				
14	YF1-62597-35-20	.WATER PUMP SHAFT FLANGE	1				
15	YF1-62597-35-52	.BEARING	1				
16	YF1-G6427-30-50	.MECHANICAL SEAL ASSY	1				
17	YF1-62597-35-12	.WATER PUMP IMPELLER	1				
18	YF1-62417-33-40	.PIPE 1	1				
19	YF1-62397-34-30	GASKET(WATER PUMP,NA)	1				
20	YF0-10235-06-30	BOLT	4				
21	YF0-10235-06-85	BOLT	2				

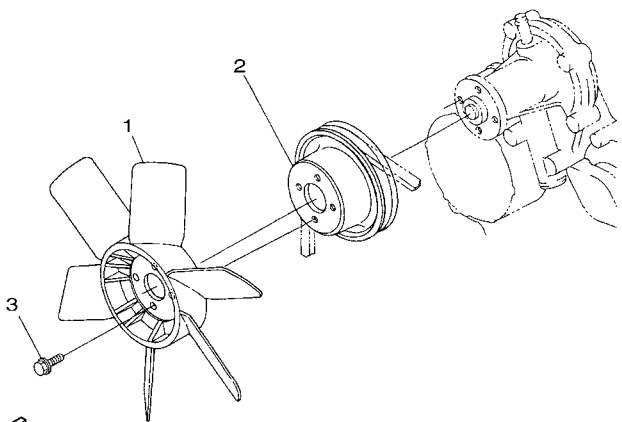
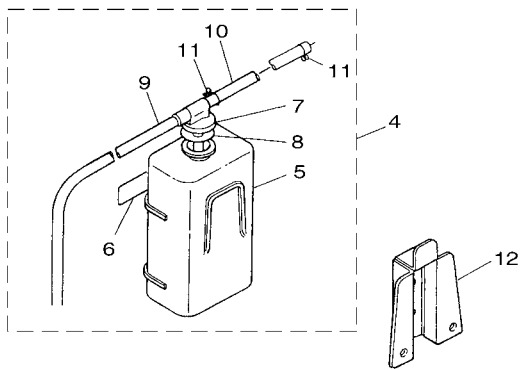


Q9C2600-A092

FIG. 9 RADIATOR & HOSE

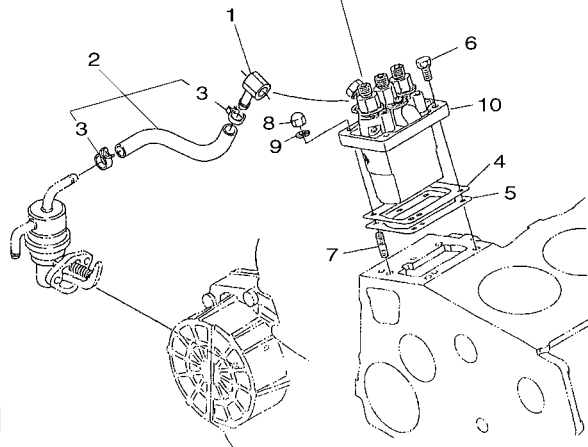
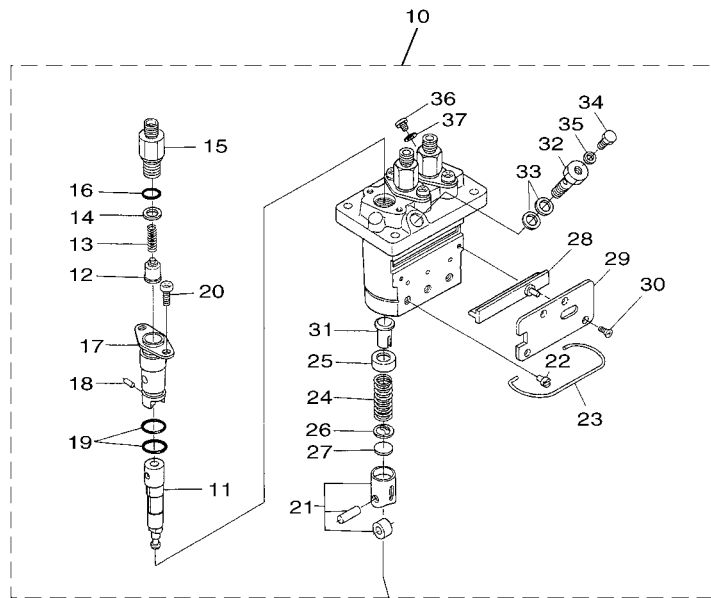
REF. NO.	PART NO.	DESCRIPTION	Q9C2				REMARKS
1	YF1-G3477-20-60	RADIATOR ASSY.	1				
2	YF1-75801-60-60	.CAP(RADIATOR)	1				
3	YF1-G3477-23-30	.SHROUD(FAN)	1				
4	YF3-40701-60-70	.PLUG(DRAIN)	1				
5	YF3-40701-60-90	.O-RING	1				
6	YF3-40701-60-30	RUBBER(RADIATOR MOUNT)	4				
7	YF1-K5227-28-50	HOSE(1,WATER)	1				
8	YF1-K5227-29-40	HOSE(4,WATER)	1				
9	YF0-93188-90-39	HOSE CLAMP	4				
10	YF1-72037-28-60	WATER PIPE 2	1				
11	YF1-G6807-28-70	PIPE(WATER,3)	1				
12	YF3-62008-27-20	CLAMP	2				

FIG. 10 RESERVE TANK



Q9C2600-A100

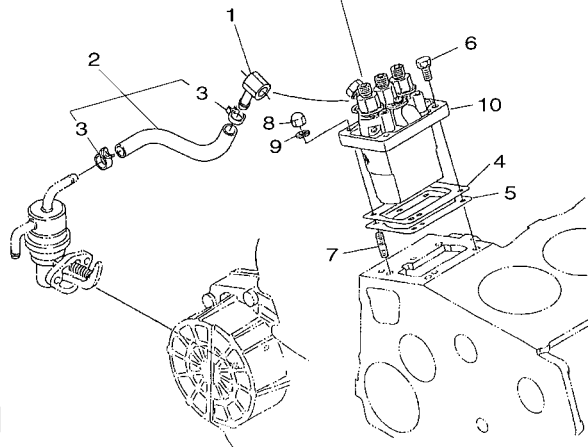
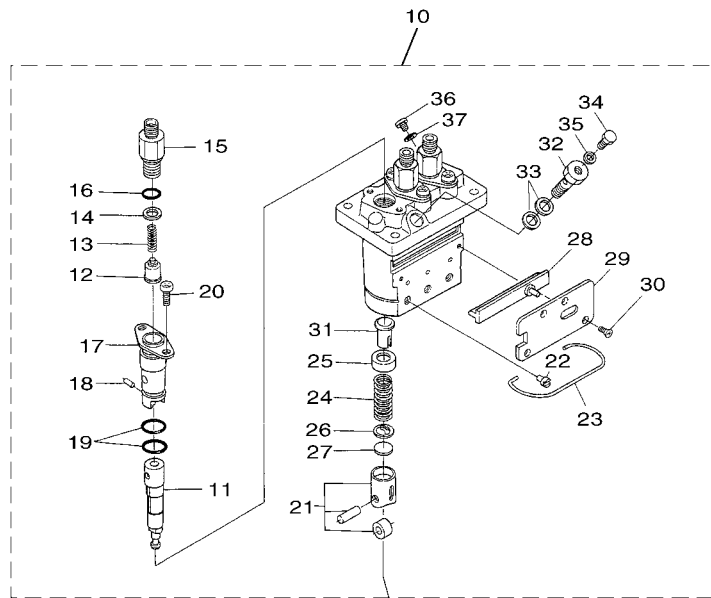
REF. NO.	PART NO.	DESCRIPTION	Q9C2				REMARKS
1	YF1-55477-41-12	FAN	1				
2	YF1-62417-42-50	FAN PULLEY	1				
3	YF0-17545-06-10	BOLT,FLANGE	4				
4	YF1-55317-24-02	RESERVE TANK ASSY	1				
5	YF1-55317-24-10	.BODY,TANK	1				
6	YF1-55018-82-10	.LABEL,CAUTION	1				
7	YF1-55317-24-22	.CAP	1				
8	YF1-55317-24-32	.PACKING	1				
9	YF1-54717-24-40	.PIPE,WATER OVER FLOW 2	1				
10	YF1-55317-24-42	.PIPE,WATER OVER FLOW 2	1				
11	YF1-55017-24-70	.CLIP,PIPE	2				
12	YF1-19827-24-60	STAY,RESERVE TANK	1				



Q9C2600-A110

FIG. 11 INJECTION PUMP

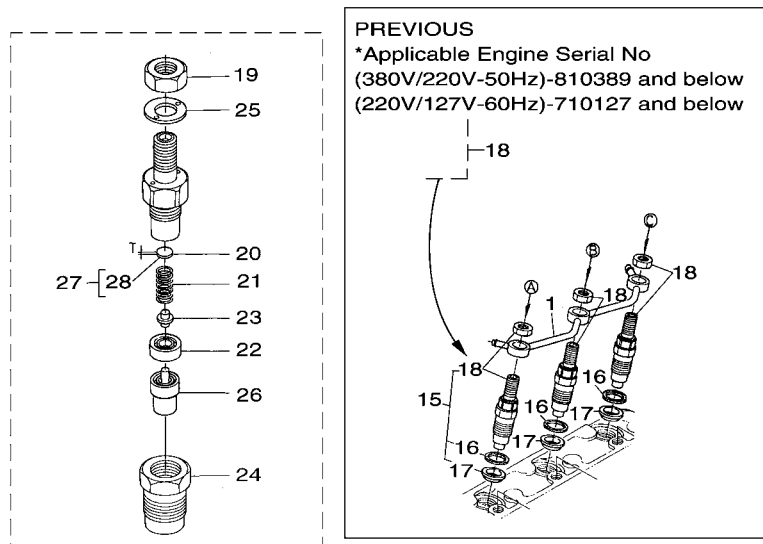
REF. NO.	PART NO.	DESCRIPTION	Q9C2				REMARKS
1	YF1-62419-56-90	PIPE FLANNGE	1				
2	YF1-60324-20-10	FUEL TUBE ASSY.	1				
3	YF1-49114-27-50	.PIPE CLIP	2				
4	YF1-60065-20-92	SHIM(0.20MM)	1				
5	YF1-60065-21-12	SHIM(0.25MM)	1				UR
5	YF1-60065-21-22	SHIM(0.30MM)	1				UR
6	YF0-13111-06-20	BOLT,HEXAGON WITH HOLE	2				
7	YF1-58419-15	STUD	2				
8	YF1-58419-23-20	NUT,CROWN	2				
9	YF0-45126-00-60	WASHER,SPRING	4				
10	YF1-60305-10-10	INJECTION PUMP ASSY.	1				
11	YF1-60305-10-52	.ELEMENT(PUNP)	3				
12	YF1-58415-10-30	.VALVE,DELIVERY	3				
13	YF1-58415-12-30	.SPRING,DELIVERY VALVE	3				
14	YF1-58415-12-40	.GASKET,DELIVERY VALVE	3				
15	YF1-62715-12-20	.HOLDER,DELIVERY VALVE	3				
16	YF1-58419-67-60	.O-RING	3				
17	YF1-58415-15-60	.SLEEVE FLANGE	3				
18	YF1-58419-45-70	.PIN,WITH HEAD	3				
19	YF1-58415-12	.O-RING	6				
20	YF1-58629-14-30	.SCREW	6				
21	YF1-58415-10-70	.TAPPET ASSY	3				
22	YF1-58415-12-50	.PIN,TAPPET GUIDE	3				
23	YF1-58615-14-30	.PIN,CLAMP	1				
24	YF1-58415-12-80	.SPRING,PLUNGER	3				
25	YF1-58415-12-70	.SEAT SPRING,UPPER	3				
26	YF1-58415-12-90	.SEAT SPRING,LOWER	3				



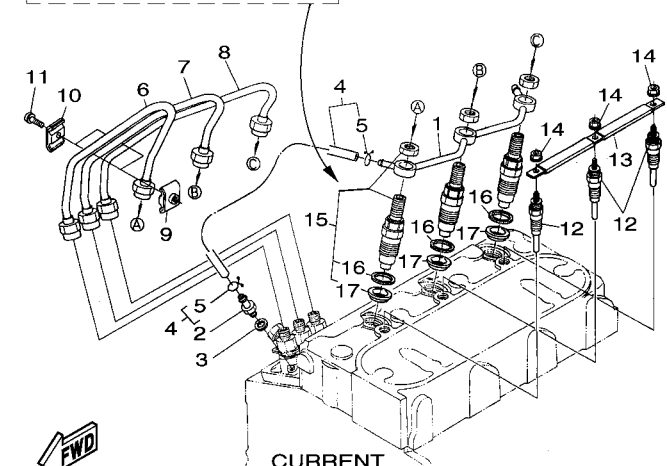
Q9C2600-A110

FIG. 11 INJECTION PUMP

REF. NO.	PART NO.	DESCRIPTION	Q9C2				REMARKS
27	YF1-58415-14-90	.SHIM	3				
28	YF1-60305-10-60	.RACK(CONTROL)	1				
29	YF1-60305-15-40	.PLATE	1				
30	YF1-58419-31-10	.SCREW,CYLINDER HEAD	4				
31	YF1-58415-13-80	.CONTROL SLEEVE	3				
32	YF1-60305-13-20	.BOLT FLANGE	1				
33	YF1-58419-66-50	.PACKING	2				
34	YF1-58415-13-50	.SCREW,AIR BREATHER	1				
35	YF1-58419-66-60	.PACKING	1				
36	YF1-60309-60-10	.PLUG	1				
37	YF1-58619-66-50	.PACKING	1				



PREVIOUS
 *Applicable Engine Serial No
 (380V/220V-50Hz)-810389 and below
 (220V/127V-60Hz)-710127 and below

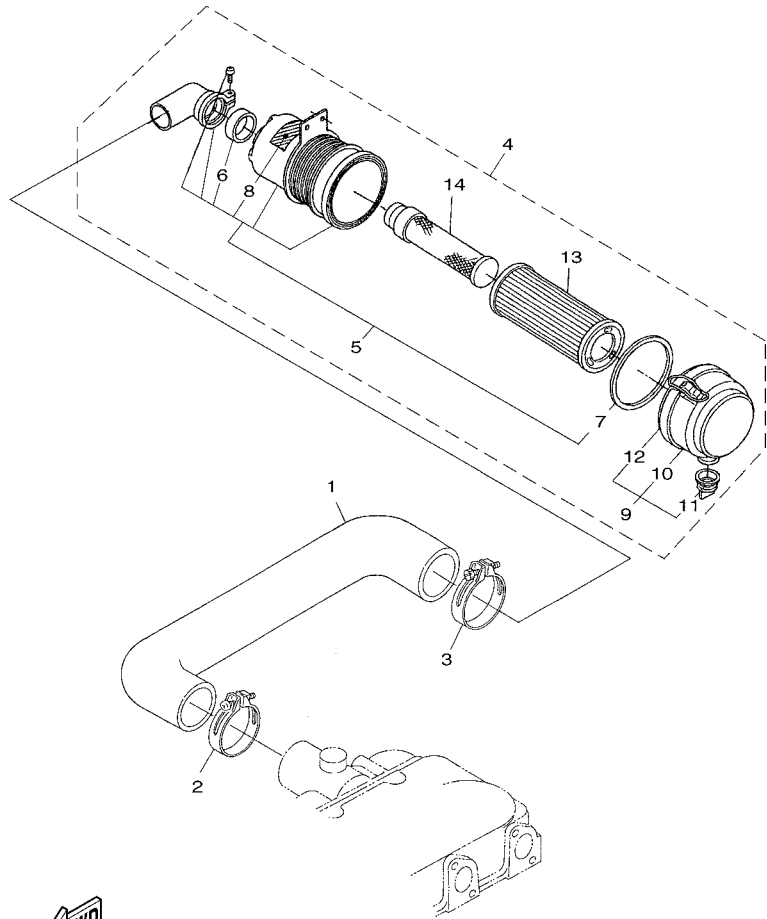


CURRENT
 *Applicable Engine Serial No
 (380V/220V-50Hz)-810390 and following
 (220V/127V-60Hz)-710128 and following

FWD
 Q9C2600-A121

FIG. 12 INJECTION NOZZLE

REF. NO.	PART NO.	DESCRIPTION	Q9C2				REMARKS
1	YF1-62614-25-02	PIPE ASSY.(OVERFLOW)	1				
2	YF1-58415-13-60	SCREW,AIR BREATHER	1				
3	YF1-56019-66-50	PACKING	1				
4	YF1-58414-25-01	OVER FLOW PIPE ASSY 2	1				
5	YF1-49714-27-50	.PIPE CLIP	2				
6	YF1-62715-37-12	PIPE(1,INJECTION)	1				
7	YF1-62715-37-22	PIPE(2,INJECTION)	1				
8	YF1-62715-37-32	PIPE(3,INJECTION)	1				
9	YF1-58415-38-50	CLAMP,PIPE 1	2				
10	YF1-58415-38-60	CLAMP,PIPE 2	2				
11	YF0-30245-05-20	SCREW,WITH WASHER	2				
12	YF1-62816-55-11	PLUG,GLOW	3				
13	YF1-62616-55-60	PLUG,GLOW CODE	1				
14	YF0-27615-00-40	NUT,FLANGE	3				
15	YF1-60325-30-91	NOZZLE HOLDER KIT	3				PREVIOUS
15	YF1-G0655-39-01	NOZZLE HOLDER KIT	3				CURRENT
16	YF1-58415-36-22	.PACKING	3				
17	YF1-90775-36-50	.SEAL,HEAT	3				
18	YF1-60325-30-01	.NOZZLE HOLDER ASSY	3				PREVIOUS
19	YF1-60329-20-30	.NUT	3				CURRENT
20	YF1-60325-32-30	.WASHER(ADJUSTING)	3				CURRENT
21	YF1-60325-31-70	.SPRING(NOZZLE)	3				CURRENT
22	YF1-60325-33-50	.SPACER(DISTANCE)	3				CURRENT
23	YF1-60325-31-60	.PUSH ROD	3				CURRENT
24	YF1-60325-32-80	.NUT(NOZZLE)	3				CURRENT
25	YF1-60329-40-40	.WASHER PLATE	3				CURRENT
26	YF1-60325-36-10	..NOZZLE PIECE	3				PREVIOUS




 Q9CE600-F140

FIG. 14 AIR CLEANER

REF. NO.	PART NO.	DESCRIPTION	Q9C2				REMARKS
1	YF1-66161-16-20	INLET PIPE	1				
2	YF1-54011-17-20	BAND, PIPE	1				
3	YF1-52211-17-20	BAND, PIPE	1				
4	YF3-23329-32-02	AIR CLEANER ASSY.(W FILTER)	1				
5	YF3-23321-63-10	.BODY COMP.(AIR CLEANER)	1				
6	YFT-02709-31-10	..SEAL(PIPE)	1				
7	YFT-02709-31-50	..SEAL(AIR CLEANER)	1				
8	YF3-23329-31-80	..LABEL(W AIR CLEANER)	1				
9	YFT-02709-31-70	.CUP ASSY.(AIR CLEANER)	1				
10	YFT-02709-31-40	..CUP(AIR CLEANER)	1				
11	YFT-00709-31-60	..VALVE	1				
12	YFT-02709-31-90	..CLAMP(AIR CLEANER)	1				
13	YFT-02701-63-20	.FILTER COMP.(AIR CLEANER)	1				
14	YFT-02709-32-20	.ELEMENT ASSY.(INNER)	1				

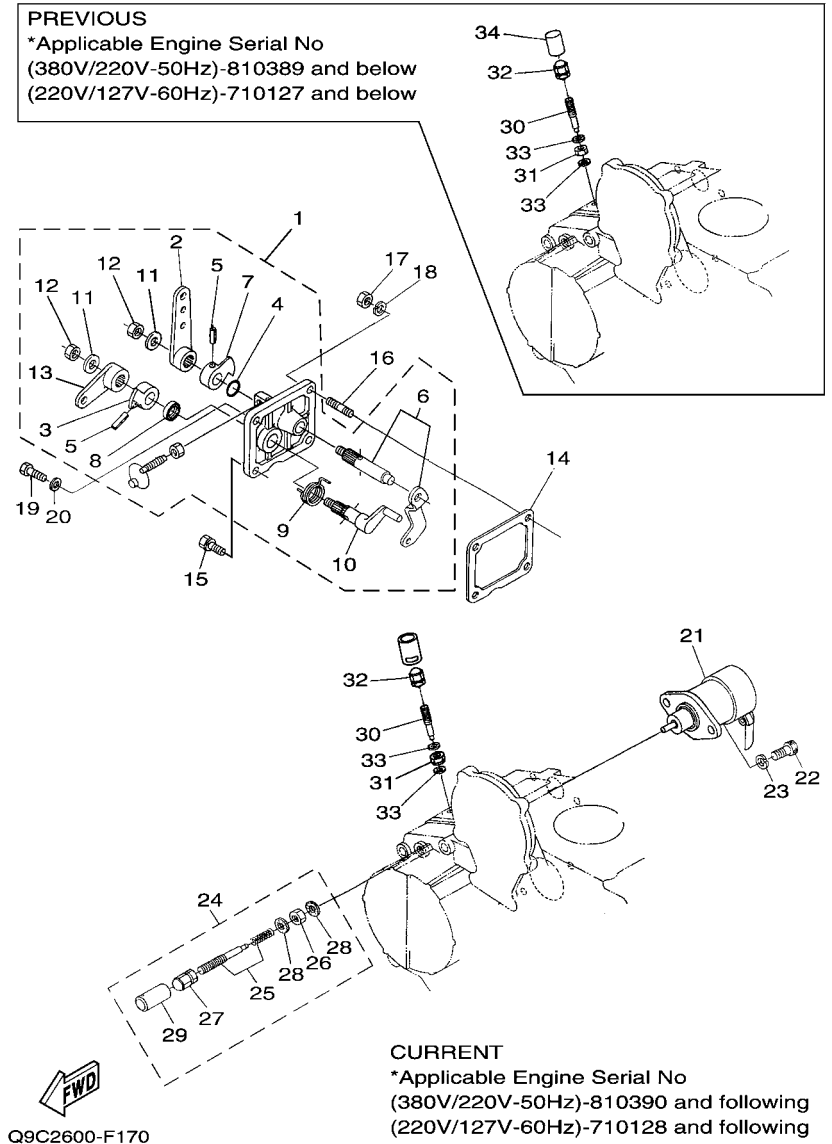


FIG. 17 CONTROL UNIT

REF. NO.	PART NO.	DESCRIPTION	Q9C2				REMARKS
1	YF1-K5915-70-15	PLATE ASSY(SPEED CONTROL)	1				
2	YF1-62715-71-52	.LEVER 1,SPEED CONTROL	1				
3	YF1-62415-71-62	.LEVER 2,SPEED CONTROL	1				
4	YF0-48140-01	.O-RING	1				
5	YF0-54110-04-20	.PIN,SPRING	2				
6	YF1-62715-60-24	.LEVER COMP.(GOVERNOR)	1				
7	YF1-62715-77-21	.LEVER(1,ENGINE STOP)	1				
8	YF1-54715-79-81	.OIL SEAL	1				
9	YF1-62225-75-11	.SPRING,RETURN	1				
10	YF1-62715-77-40	.SHAFT,STOP LEVER	1				
11	YF1-62419-40-20	.WASHER, PLAIN	2				
12	YF1-62419-20-20	.NUT	2				
13	YF1-62715-77-20	.LEVER, ENGINE STOP	1				
14	YF1-62645-72-10	GASKET(ADJUSTING PLATE,NA)	1				
15	YF0-10235-06-16	BOLT	1				
16	YF1-62459-15-40	STUD	2				
17	YF0-20565-00-60	NUT	2				
18	YF0-45126-00-60	WASHER,SPRING	2				
19	YF0-10535-06-18	BOLT	1				
20	YF1-56019-66-50	PACKING	1				
21	YF1-72086-00-10	SOLENOID ASSY	1				
22	YF0-13111-06-14	BOLT,WITH HEXAGONAL HOLE	2				
23	YF0-45126-00-60	WASHER,SPRING	2				
24	YF1-62595-40-90	IDLING LIMITER DEVICE ASSY	1				
25	YF1-62595-41-02	.ADJUSTING BOLT ASSY.	1				
26	YF1-58419-20-20	.NUT	1				
27	YF1-58529-23-32	.NUT,CROWN	1				

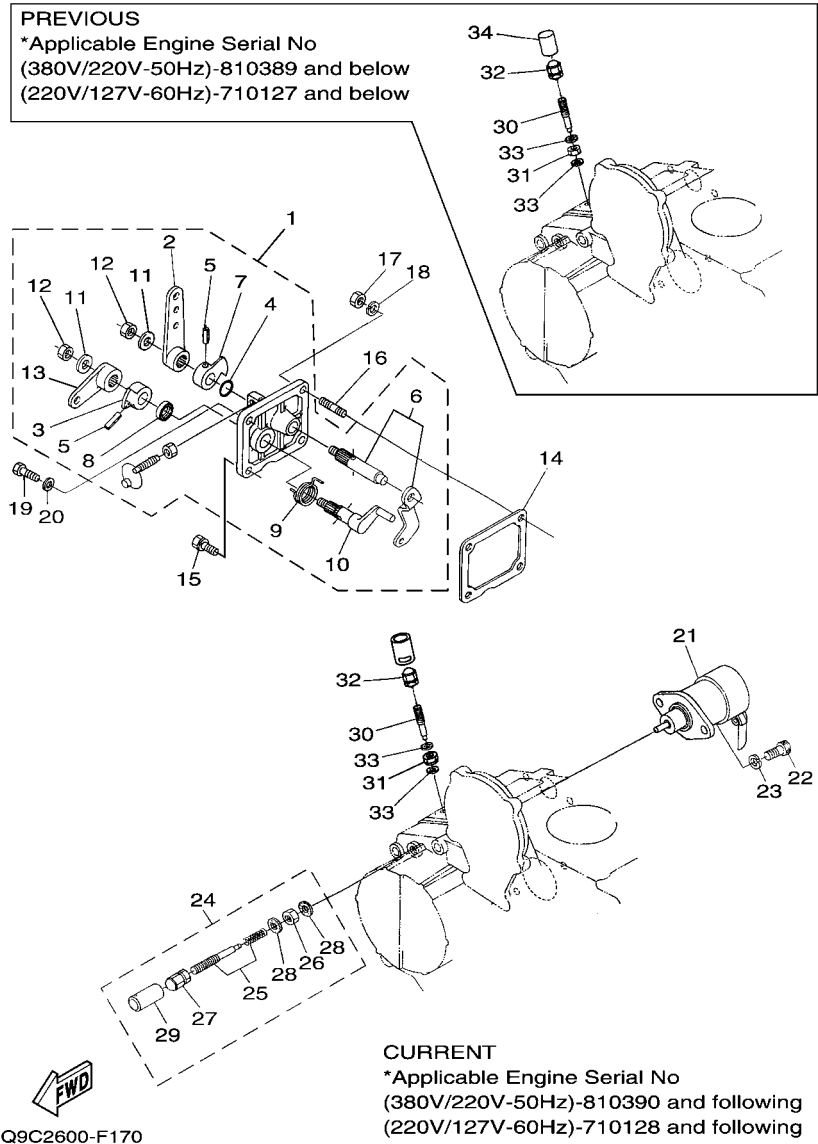
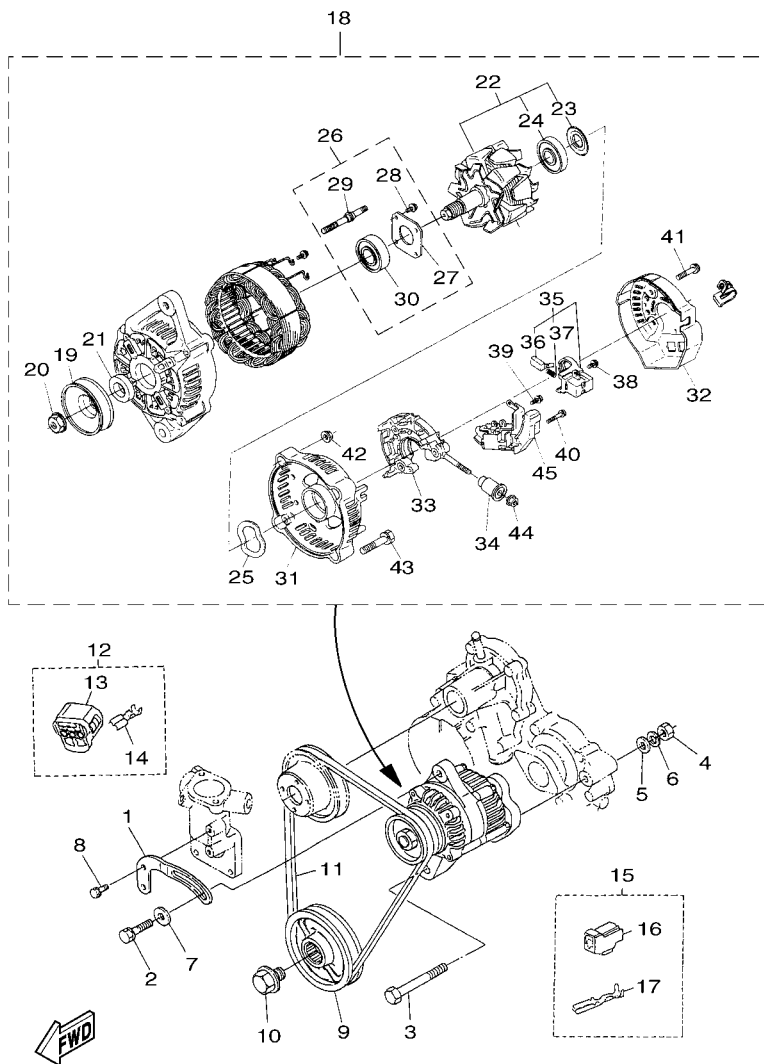


FIG. 17 CONTROL UNIT

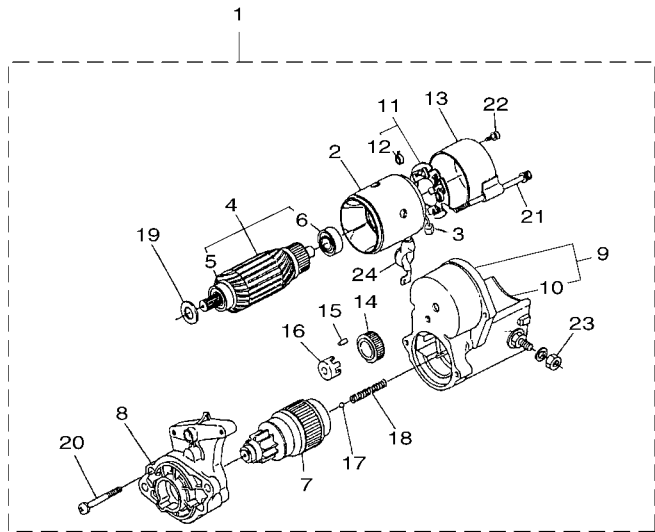
REF. NO.	PART NO.	DESCRIPTION	Q9C2				REMARKS
28	YF1-56019-66-50	.PACKING	2				
29	YF1-62215-44-20	.CAP	1				
30	YF1-62415-41-20	ADJUSTING BOLT	1				
31	YF1-58419-20-20	NUT	1				PREVIOUS
	YF1-G0315-42-10	NUT (7NFA)	1				CURRENT
32	YF1-58419-23-30	NUT,CROWN	1				
33	YF1-56019-66-50	PACKING	2				
34	YF1-62215-44-20	CAP	1				PREVIOUS



Q9C2600-A180

FIG. 18 GENERATOR

REF. NO.	PART NO.	DESCRIPTION	Q9C2				REMARKS
1	YF1-62416-44-20	DYNAMO STAY	1				
2	YF0-11235-08-30	BOLT (EDK8000TE)	1				
3	YF0-11735-10-85	BOLT	1				
4	YF0-21765-01	NUT	1				
5	YF0-40155-01	WASHER PLATE	1				
6	YF0-45126-01	WASHER SPRING	1				
7	YF0-40156-00-80	WASHER,PLATE	1				
8	YF0-10235-06-16	BOLT	1				
9	YF1-62657-42-80	FAN DRIVE PULLEY	1				
10	YF1-62419-10-20	BOLT(FAN DRIEVE)	1				
11	YF1-63569-70-11	37V-BELT	1				
12	YF1-66786-58-30	CONNECTER ASSY.	1				
13	YF1-66316-58-40	.CONNECTER	1				
14	YF1-92376-59-10	.TERMINAL	3				
15	YF1-C0106-58-30	COUPLER ASSY(SOLENOID)	1				
16	YF1-C0106-58-80	.CONNECTER	1				
17	YF1-C0106-59-10	.TERMINAL	2				
18	YF1-K5746-40-15	ALTERNATOR ASSY	1				
19	YF1-58816-41-10	.DYNAMO PULLEY	1				
20	YF1-58819-20-10	.NUT	1				
21	YF1-58816-41-50	.COLLAR	1				
22	YF6-64366-40-40	.ROTOR	1				
23	YF1-58816-48-01	..BEARING COVER	1				
24	YF1-66526-47-70	..BALL BEARING	1				
25	YF1-58816-48-10	.WASHER,THRUST	1				
26	YF6-64366-40-20	.DRIVE END FLAME	1				
27	YF1-58816-47-10	..RETAINER PLATE	1				



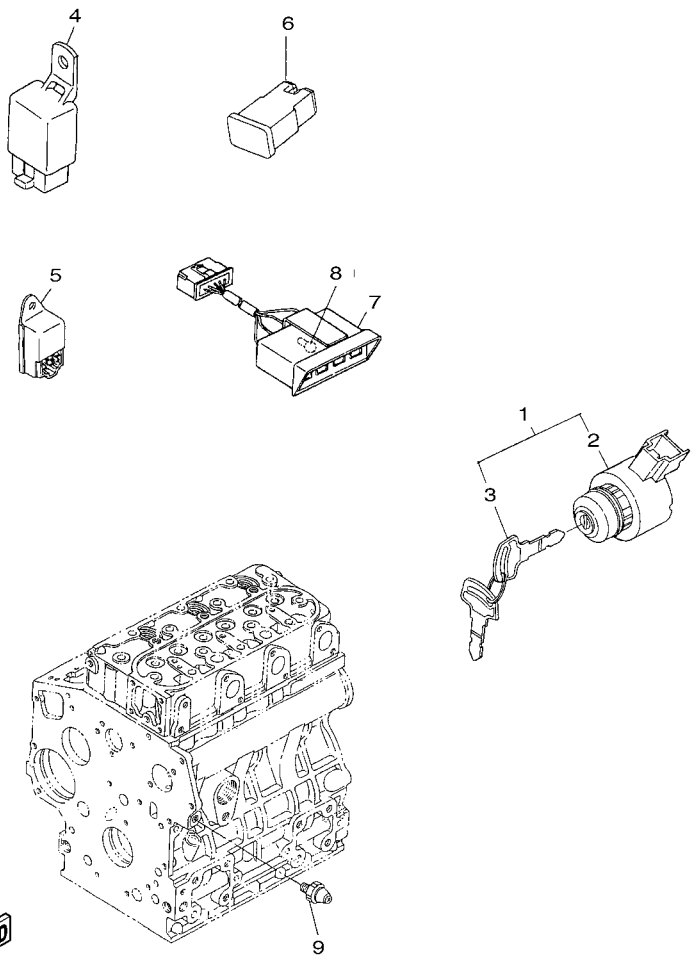
Q9C2600-A190

FIG. 19 STARTING MOTOR

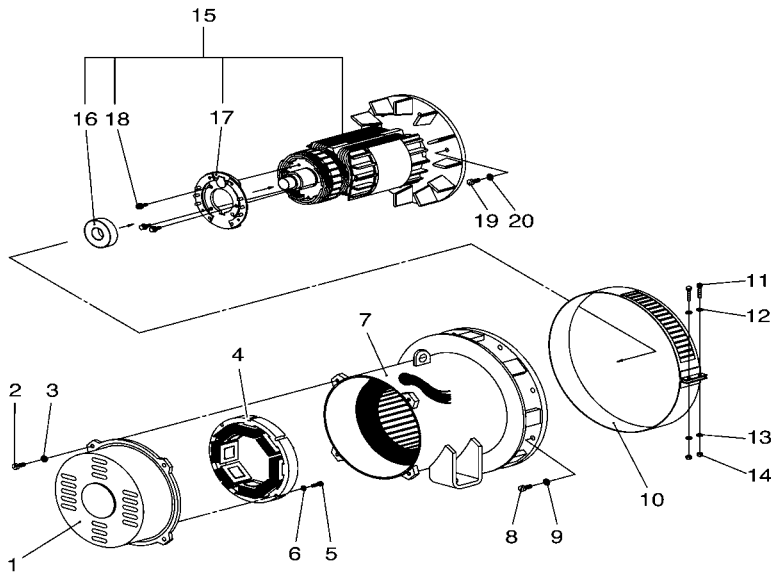
REF. NO.	PART NO.	DESCRIPTION	Q9C2				REMARKS
1	YF1-62856-30-12	STARTER ASSY	1				
2	YF1-55016-30-80	.YOKE (EDL6500)	1				
3	YF1-55016-33-70	.BRUSH (EDL6500)	2				
4	YF1-55016-30-70	.ARMATURE (EDL6500)	1				
5	YF1-55046-35	..BEARING,BALL	1				
6	YF1-55046-35-30	..BEARING,BALL	1				
7	YF1-55046-30-40	.CLUTCH (EDL6500)	1				
8	YF1-55046-30-30	.HOUSING (EDL6500)	1				
9	YF1-58816-30-20	.MAGNET SWITCH	1				
10	YF1-62719-80-50	..COVER ASSY.(STARTER MAGNET)	1				
11	YF1-55016-33-80	.HOLDER, BRUSH (EDL6500)	1				
12	YF1-54016-33-90	..SPRING,BRUSH	4				
13	YF1-55016-32	.END FRAME (EDL6500)	1				
14	YF1-54016-32-70	.PINION GEAR	1				
15	YF1-92126-31	.ROLLER	5				
16	YF1-92126-31-10	.RETAINER	1				
17	YF1-92129-71-30	.BALL	1				
18	YF1-92126-31-20	.SPRING	1				
19	YF1-55019-66-70	.WASHER, FELT (EDL6500)	1				
20	YF1-55019-33-10	.SCREW	2				
21	YF1-55016-33-20	.BOLT, THROUGH (EDL6500)	2				
22	YF1-55019-10-20	.BOLT (EDL6500)	2				
23	YF1-39639-20-10	.NUT, HEXAGON	1				
24	YF1-55046-31-20	.COVER, CORD (EDL6500)	1				
25	YF0-11235-08-25	BOLT	2				

FIG. 20 ELECTRICAL

REF. NO.	PART NO.	DESCRIPTION	Q9C2				REMARKS
1	YF1-52486-35-90	STARTER SWITCH ASSY.	1				
2	YF6-C0405-54-12	.SWITCH,STARTER	1				
3	YF1-52486-37	.KEY,STARTER	1				
4	YF1-K5746-02-20	RELAY COMP.(12VA.D)	1				
5	YF1-56946-59-90	LAMP TIMER	1				
6	YF1-74786-00-80	FUSE(50A)	1				
7	YF1-74787-02	PILOT BOX	1				
8	YF3-41503-45-90	BULB	4				
9	YF1-58413-90-10	OIL SWITCH	1				



FWD
Q9C2600-A200



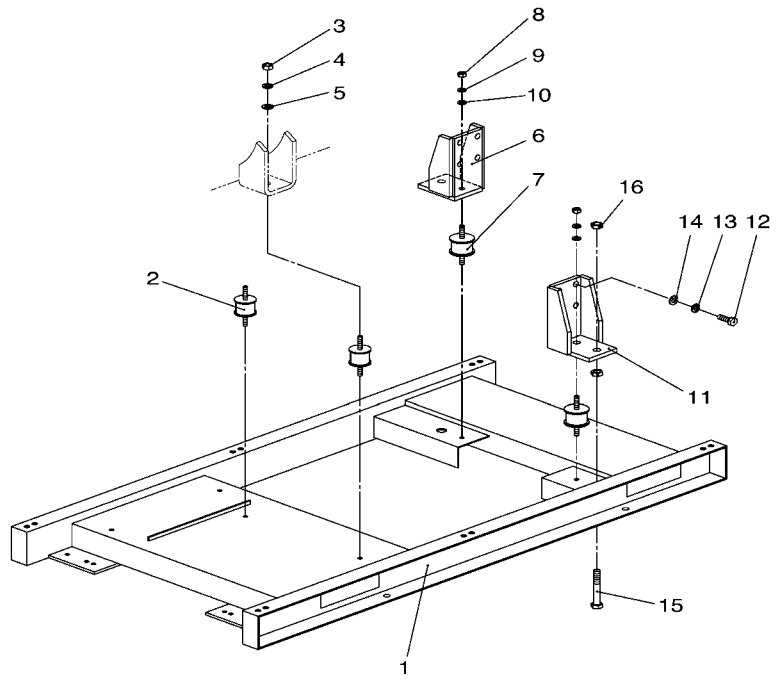

Q9C1600-F220

FIG. 22 GENERATOR 1

REF. NO.	PART NO.	DESCRIPTION	Q9C2				REMARKS
1	YFT-K3T30-18-86	BRACKET	1				
2	YFT-KBM08-30-A5	BOLT	4				
3	YFT-KWMS0-80	WASHER,SPRING	4				
4	YFT-WKC00-49-ST	EX STATOR ASSY	1				
5	YFT-KBM06-35-A5	BOLT	4				
6	YFT-KWMS0-60	WASHER,SPRING	4				
7	YFT-WKC00-63-ST	STATOR ASSY	1				UR 380V
	YFT-WKC00-84-ST	STATOR ASSY	1				UR 220V
8	YFB-M1025-B5-12	BOLT	8				
9	YFT-KWMS1-00	WASHER,SPRING	8				
10	YFT-K3T30-17-19	COVER	1				
11	YFT-KBM06-35-A5	BOLT	2				
12	YFT-KWMS0-60	WASHER,SPRING	2				
13	YFT-K1PWM-06-E5	WASHER	2				
14	YFT-K1NM0-6A-50	NUT	2				
15	YFT-WKC00-63-RT	ROTOR ASSY	1				
16	YFT-KNO63-06-ZZ	.BEARING	1				
17	YFT-K3T20-10-65	.RECTIFIER ASSY	1				
18	YFS-M0615-SP-A5	.BOLT	3				
19	YFT-KBM08-20-C5	BOLT	6				
20	YFT-KWMS0-80	WASHER,SPRING	6				



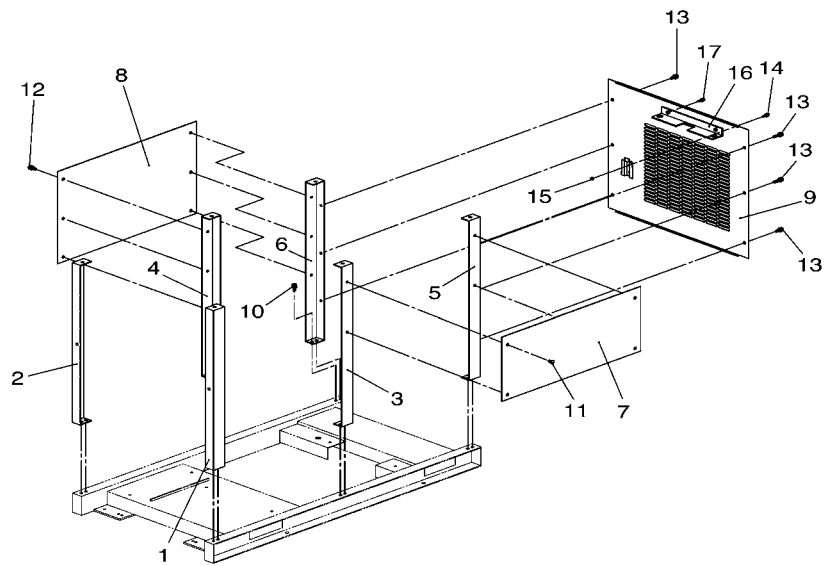
Q9C2600-F230



S=0/0

FIG. 23 ENGINE MOUNT

REF. NO.	PART NO.	DESCRIPTION	Q9C2				REMARKS
1	YFT-K3T30-32-21	BED	1				
2	YFT-KKA45-00	CUSHION	2				
3	YFT-K1NM0-8A-50	NUT	2				
4	YFT-KWMS0-80	WASHER,SPRING	2				
5	YFT-K1PWM-08-E5	WASHER	2				
6	YFT-K4T30-28-53	FOOT(L)	1				
7	YFT-KKA45-00	CUSHION	2				
8	YFT-K1NM0-8A-50	NUT	2				
9	YFT-KWMS0-80	WASHER,SPRING	2				
10	YFT-K1PWM-08-E5	WASHER	2				
11	YFT-K4T30-28-53	FOOT(L)	1				
12	YFB-M1025-B5-12	BOLT	8				
13	YFT-KWMS1-00	WASHER,SPRING	8				
14	YFT-K1PWM-10-E5	WASHER	8				
15	YFT-KBM12-65-A5	BOLT	2				
16	YFT-K1NM1-2A-50	NUT	4				

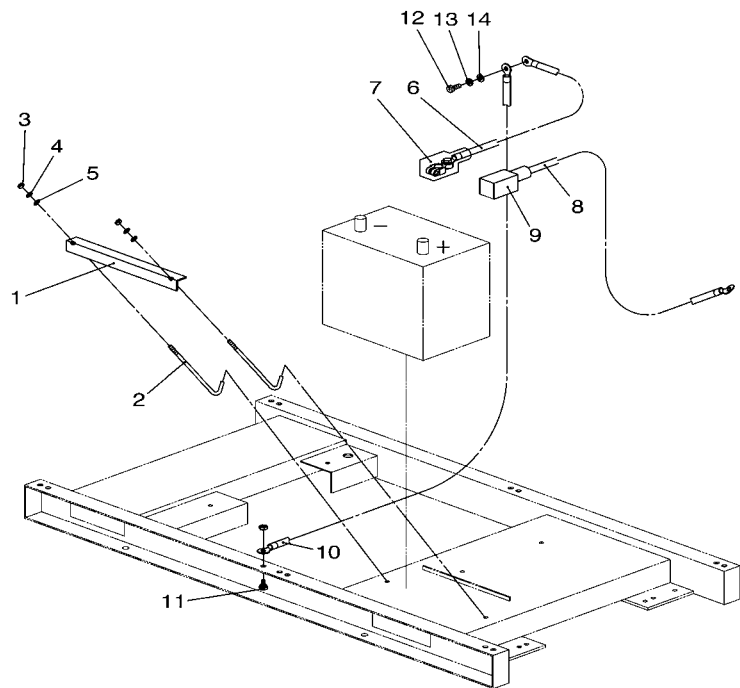



Q9C2600-F250

FIG. 25 COVER

REF. NO.	PART NO.	DESCRIPTION	Q9C2				REMARKS
1	YFT-3T302-69-9R	STAND	1				
2	YFT-3T302-69-9L	STAND	1				
3	YFT-3T303-51-5R	STAND	1				
4	YFT-3T303-51-5L	STAND	1				
5	YFT-3T303-51-6R	STAND	1				
6	YFT-3T303-51-6L	STAND	1				
7	YFT-3T302-69-3R	COVER	1				
8	YFT-3T303-51-3L	COVER	1				
9	YFT-K3T30-26-96	COVER, RADIATOR	1				
10	YFS-M820S-PW-A6	BOLT	12				
11	YFS-M816S-PW-A6	BOLT	4				
12	YFS-M816S-PW-A6	BOLT	6				
13	YFS-M820S-PW-A6	BOLT	6				
14	YFS-M614S-PW-A6	BOLT	2				
15	YFT-K1NM0-6A-50	NUT	2				
16	YFT-K4T30-35-19	PLATE, RADIATOR	1				
17	YFS-M820S-PW-A6	BOLT	2				

FIG. 29 FRAME 3



Q9C2600-F290

REF. NO.	PART NO.	DESCRIPTION	Q9C2				REMARKS
1	YFT-K4T30-20-93	SUPPORT BATTERY	1				
2	YFT-K4440-00-26	HOOK BATTERY	2				
3	YFT-K1NM0-6A-50	NUT	2				
4	YFK-TWMS0-60	WASHER,SPRING	2				
5	YFT-KM516-63-4C	WASHER	2				
6	YF3-T1030-79-02	CORD, BATTERY(-)	1				
7	YFT-K4440-00-9B	CORD(BLACK)	1				
8	YF3-T1030-79-01	CORD, BATTERY(+)	1				
9	YFT-K4440-00-9R	CORD(RED)	1				
10	YF3-T1030-79-03	CORD (EARTH)	1				
11	YFB-M825A-SS-Y0	BOLT	1				
12	YFB-M1020-C5-12	BOLT	1				
13	YFT-KWMS1-00	WASHER,SPRING	1				
14	YFT-K1PWM-10-E5	WASHER	1				



Q9C2600-F300

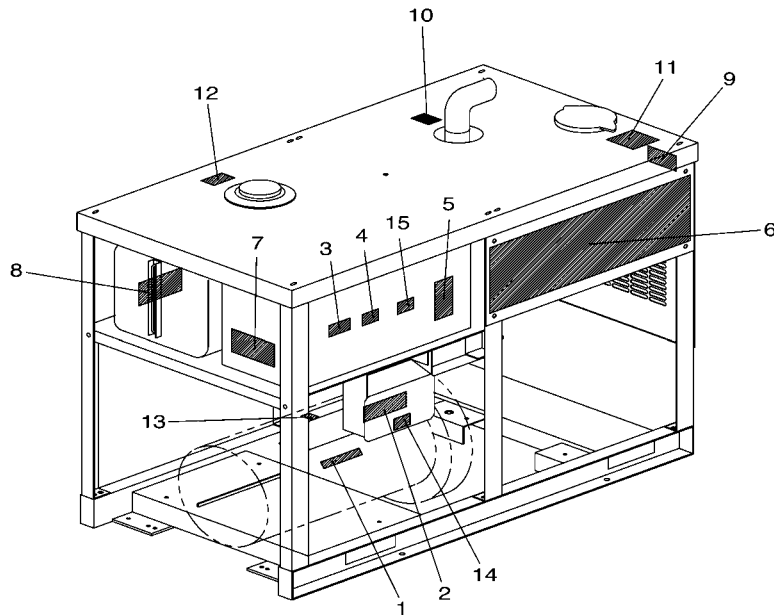
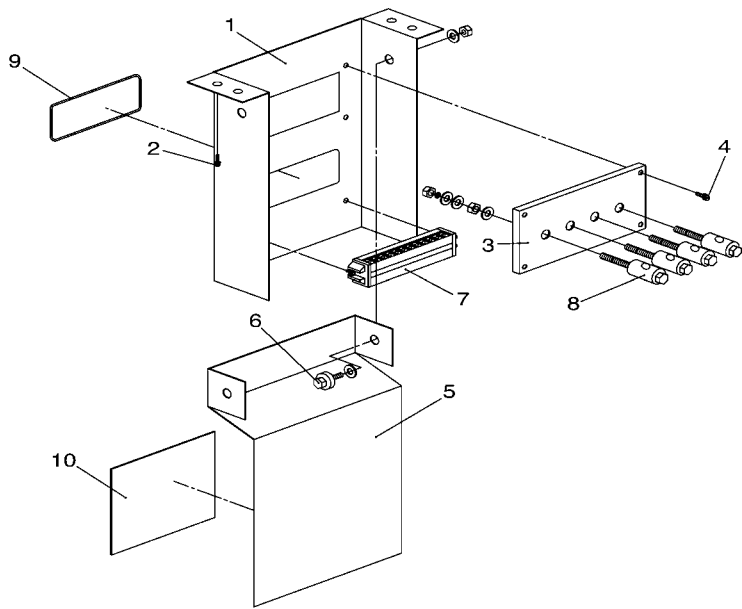


FIG. 30 LABEL

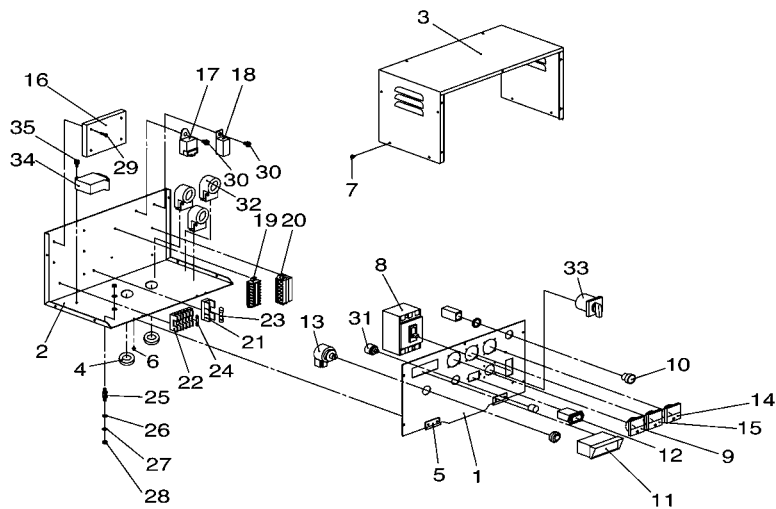
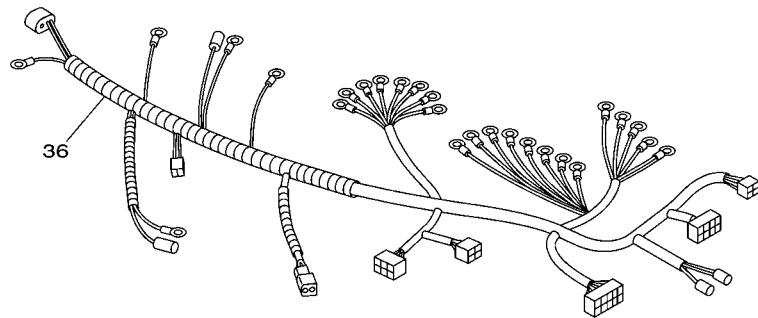
REF. NO.	PART NO.	DESCRIPTION	Q9C2			REMARKS
1	YFT-K4T50-14-49	LABEL SIRIAL	1			UR 380V
	YFT-K4T50-14-52	LABEL SIRIAL	1			UR 220V
2	YFT-K4T50-14-38	LABEL TERMINAL	1			UR 380V
	YFT-K4T50-14-39	LABEL TERMINAL	1			UR 220V
3	YFT-K4T50-10-42	LABEL,KEY SWITCH	1			
4	YFT-K4E50-10-50	LABEL VR	1			
5	YFT-K4T50-10-43	LABEL,BREAKER	1			
6	YFT-K3T50-12-71	NAME PLATE YAMAHA	1			
7	YFT-K4T50-11-27	LABEL WARNING	1			
8	YFT-K3700-03-10	LABEL,MAINTRNANCE	1			
9	YFT-K4T50-11-30	LABEL CAUTION	1			
10	YFT-K4T50-11-28	LABEL CAUTION	1			
11	YFT-K4T50-11-29	LABEL RADIATOR	1			
12	YFT-K4700-07-40	LABEL,FUEL	1			
13	YFT-K4700-08-10	LABEL EARTH	1			
14	YFT-K3T50-12-91	LABEL DANGER VOLTAGE	1			
15	YFT-K3T50-15-32	LABEL, AMMETER	1			

FIG. 31 FRAME 4



REF. NO.	PART NO.	DESCRIPTION	Q9C2				REMARKS
1	YFT-K3T30-32-19	PLATE, TERMINAL	1				
2	YFS-M625S-PW-A6	BOLT	4				
3	YFT-K4430-02-80	PLATE	1				
4	YFS-M625S-PW-A6	BOLT	4				
5	YFT-K3T30-32-20	COVER	1				
6	YFT-K3T20-14-68	BOLT	2				
7	YFT-KJTP2-01-2P	TERMINAL	1				
8	YFT-K4430-04-20	TERMINAL,ASSY	4				
9	YFT-KG016-L3-38	GUM COVER	1				
10	YFT-K4T50-12-48	SEET	1				

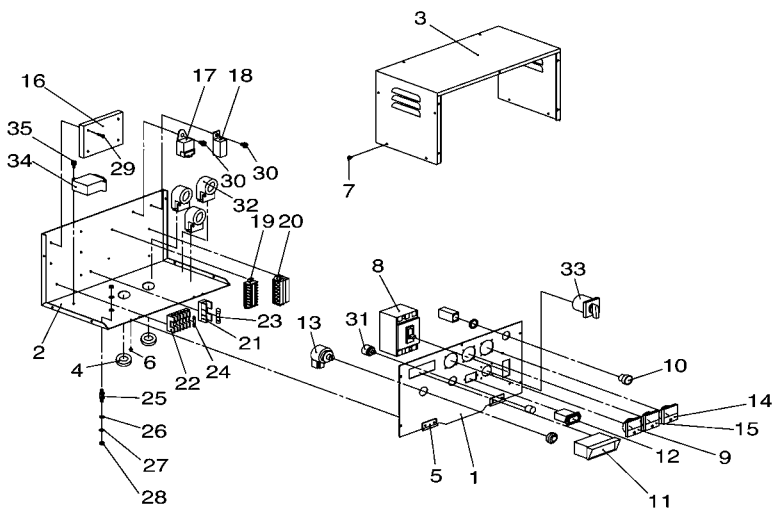
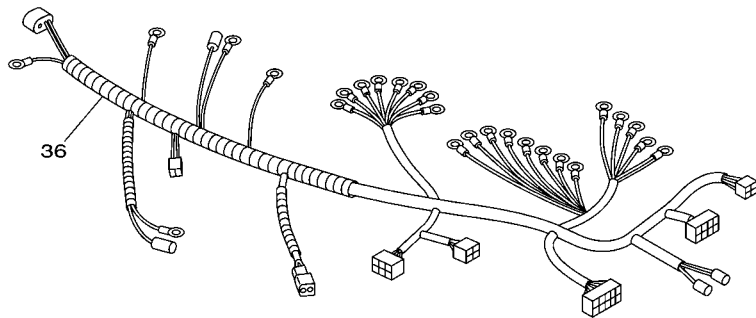




FWD
Q9C2600-F320

FIG. 32 ELECTRICAL 1

REF. NO.	PART NO.	DESCRIPTION	Q9C2	REMARKS
1	YFT-K3T30-32-16	PANEL	1	
2	YFT-K3T30-33-18	PANEL (B)	1	
3	YFT-K3T30-32-17	PANEL COVER	1	
4	YFC-30BW3-62	GUM BUSH	2	
5	YFT-KB102-71-30	PLATE	2	
6	YFS-EC36S-PW-G5	SCREW	8	
7	YFS-EC48S-PW-G6	SCREW	14	
8	YFX-M30NB-25-A3	BREAKER	1	UR 380V
	YFX-M50NB-45-A3	BREAKER	1	UR 220V
9	YFT-RR55C-44-0V	METER	1	UR 380V
	YFT-RR55C-30-0V	METER	1	UR 220V
10	YFH-W1P2M-5G	LAMP	1	
11	YF1-74787-02-01	PILOT BOX	1	
12	YFT-K8500-00	HOUR METER	1	
13	YF1-52486-35-92	KEY SWITCH	1	
14	YFT-RS55H-40-A0	METER	1	UR 380V
	YFT-RS55H-60-A0	METER	1	UR 220V
15	YFT-RC55F-22-0V	METER	1	
16	YFD-ST51D-FK-V0	AVR	1	
17	YF1-56946-59-92	LAMP TIMER	1	
18	YFT-00703-14-10	TIMER RELAY	1	
19	YFT-KTS21-20-8P	TERMINAL	1	
20	YFT-KJTP2-00-6P	TERMINAL	1	UR 380V
	YFT-KUKT8-04-J0	TERMINAL	1	UR 220V
21	YFT-KF66A-D0	HOLDER,FUSE	1	
22	YFT-KF65B-D0	HOLDER,FUSE	8	
23	YFF-71650-2A-25	FUSE(2A)	1	



FWD
Q9C2600-F320

FIG. 32 ELECTRICAL 1

REF. NO.	PART NO.	DESCRIPTION	Q9C2				REMARKS
24	YFF-71610-1A-25	FUSE(1A)	8				
25	YFT-KKA25-00	CUSHION	4				
26	YFT-K1PWM-05-E5	WASHER	8				
27	YFT-KWMS0-50	WASHER,SPRING	8				
28	YFT-K1NM0-5A-50	NUT	8				
29	YFS-EC425-SP-G5	SCREW (AVR)	4				
30	YFS-EC615-SP-G5	SCREW	2				
31	YFW-P5W2K-00	VOLTAGE, REGULATOR	1				
32	YFC-T2MR1-20-5A	CURRENT,TRANSFORMER	3				
33	YFT-K3T50-15-33	AMMETER CHANGE	1				
34	YF1-G8826-06-03	EMERGENCY UNIT	1				EG-20
35	YFS-EC640-SP-G5	SCREW	2				
36	YFT-K3T10-33-36	HARNESS	1				

NUMERICAL INDEX

PART NO.	REF. NO.	PART NO.	REF. NO.	PART NO.	REF. NO.	PART NO.	REF. NO.	PART NO.	REF. NO.	PART NO.	REF. NO.
YFT-00703-14-10	32 - 18	YF3-23329-31-80	14 - 8	YF1-52210-34-90	2 - 3	YF1-55212-39-60	3 - 32	YF1-58419-67-60	11 - 16	YF1-60329-81	12 - 27
YFT-00709-31-60	14 - 11	YF3-23329-32-02	14 - 4	YF1-52211-17-20	14 - 3	YF1-55219-36-10	4 - 4	YF1-58529-23-32	17 - 27	YF1-60329-85	12 - 28
YFT-02701-63-20	14 - 13	YF0-27615-00-40	12 - 14	YF1-52213-36-10	2 - 19	YF1-55219-60-20	2 - 7	YF1-58615-14-30	11 - 23	YF1-60329-85-10	12 - 28
YFT-02709-31-10	14 - 6	YF0-30245-05-10	1 - 19	YF1-52214-31-70	13 - 6	YF1-55317-24-02	10 - 4	YF1-58619-66-50	11 - 37	YF1-60329-85-20	12 - 28
YFT-02709-31-40	14 - 10	YF0-30245-05-20	12 - 11	YF1-52214-32-10	13 - 8	YF1-55317-24-10	10 - 5	YF1-58629-14-30	11 - 20	YF1-60329-85-30	12 - 28
YFT-02709-31-50	14 - 7	YFC-30BW3-62	32 - 4	YF1-52244-30-10	13 - 5	YF1-55317-24-22	10 - 7	YF1-58816-30-20	19 - 9	YF1-60329-85-40	12 - 28
YFT-02709-31-70	14 - 9	YF1-39639-20-10	19 - 23	YF1-52244-32	13 - 7	YF1-55317-24-32	10 - 8	YF1-58816-40-90	18 - 36	YF1-60329-85-50	12 - 28
YFT-02709-31-90	14 - 12	YFT-3T302-69-3R	25 - 7	YF1-52248-77-60	13 - 13	YF1-55317-24-42	10 - 10	YF1-58816-41-10	18 - 19	YF1-60329-85-60	12 - 28
YFT-02709-32-20	14 - 14	YFT-3T302-69-9L	25 - 2	YF1-52313-39-60	2 - 13	YF1-55477-41-12	10 - 1	YF1-58816-41-50	18 - 21	YF1-60329-85-70	12 - 28
YF0-10235-06-10	4 - 24	YFT-3T302-69-9R	25 - 1	YF1-52413-22-90	6 - 3	YF1-56019-66-50	12 - 3	YF1-58816-42-60	18 - 29	YF1-60329-85-80	12 - 28
YF0-10235-06-14	5 - 33	YFT-3T303-51-3L	25 - 8	YF1-52486-35-90	20 - 1		17 - 20	YF1-58816-43-30	18 - 37	YF1-60329-85-90	12 - 28
YF0-10235-06-16	4 - 8	YFT-3T303-51-5L	25 - 4	YF1-52486-35-92	32 - 13		17 - 28	YF1-58816-47-10	18 - 27	YF1-60502-11-10	3 - 14
	4 - 15	YFT-3T303-51-5R	25 - 3	YF1-52486-37	20 - 3		17 - 33	YF1-58816-48-01	18 - 23	YF1-60502-19-10	3 - 14
	5 - 11	YFT-3T303-51-6L	25 - 6	YF1-52610-33-70	1 - 8	YF1-56946-59-90	20 - 5	YF1-58816-48-10	18 - 25	YF1-60515-60-13	5 - 26
	8 - 5	YFT-3T303-51-6R	25 - 5	YF1-52611-33-60	4 - 20	YF1-56946-59-92	32 - 17	YF1-58816-48-50	18 - 33	YF3-62008-27-20	9 - 12
	17 - 15	YF0-40136-00-80	6 - 37	YF1-52619-11-90	6 - 34	YF1-57073-37-50	7 - 3	YF1-58816-49	18 - 34	YF1-62197-32-60	8 - 10
	18 - 8	YF0-40155-01	18 - 5	YF1-52619-20-10	4 - 34	YF0-57120-05-18	4 - 6	YF1-58819-10-40	18 - 41	YF1-62215-44-20	17 - 29
YF0-10235-06-18	5 - 9	YF0-40156-00-80	18 - 7	YF1-52619-40-10	4 - 35	YF1-58413-90-10	20 - 9	YF1-58819-10-50	18 - 43		17 - 34
	15 - 3	YF3-40701-60-30	9 - 6	YF1-52619-60-10	1 - 5	YF1-58414-25-01	12 - 4	YF1-58819-20-10	18 - 20	YF1-62217-32-70	8 - 11
YF0-10235-06-20	3 - 8	YF3-40701-60-70	9 - 4		2 - 4	YF1-58415-10-30	11 - 12	YF1-58819-20-20	18 - 42	YF1-62219-11-22	7 - 2
YF0-10235-06-25	3 - 7	YF3-40701-60-90	9 - 5	YF1-52631-23-70	16 - 6	YF1-58415-10-70	11 - 21	YF1-58819-30-10	18 - 28	YF1-62225-75-11	17 - 9
YF0-10235-06-30	8 - 20	YF3-41503-45-90	20 - 8	YF1-53219-62-60	1 - 4	YF1-58415-12	11 - 19	YF1-58819-30-20	18 - 40	YF1-62263-21-10	7 - 5
	15 - 4	YF1-41829-20-30	18 - 44	YF1-54011-17-20	14 - 2	YF1-58415-12-30	11 - 13	YF1-58819-30-30	18 - 39	YF1-62267-27-02	8 - 1
YF0-10235-06-45	6 - 15	YF0-45126-00-60	6 - 23	YF1-54016-32-70	19 - 14	YF1-58415-12-40	11 - 14	YF1-58819-30-40	18 - 38	YF1-62316-40-60	18 - 31
YF0-10235-06-55	6 - 17		11 - 9	YF1-54016-33-90	19 - 12	YF1-58415-12-50	11 - 22	YF1-59519-66-60	1 - 21	YF1-62352-30-13	3 - 22
	8 - 6		13 - 4	YF0-54110-04-20	17 - 5	YF1-58415-12-70	11 - 25	YF1-59529-23-30	1 - 20	YF1-62390-40-22	6 - 1
YF0-10235-06-85	8 - 21		17 - 18	YF0-54110-04-28	4 - 26	YF1-58415-12-80	11 - 24	YF1-60065-20-92	11 - 4	YF1-62397-34-30	8 - 19
YF0-10236-06-50	6 - 16		17 - 23	YF1-54519-62-70	2 - 2	YF1-58415-12-90	11 - 26	YF1-60065-21-12	11 - 5	YF1-62410-34-50	1 - 9
	15 - 5	YF0-45126-01	18 - 6	YF1-54715-79-81	17 - 8	YF1-58415-13-50	11 - 34	YF1-60065-21-22	11 - 5	YF1-62410-40-92	3 - 1
YF0-10535-06-18	17 - 19	YF0-48140-01	17 - 4	YF1-54717-24-40	10 - 9	YF1-58415-13-60	12 - 2	YF1-60201-61-70	5 - 1	YF1-62410-45-40	3 - 2
YF0-11235-08-16	7 - 6	YF0-48140-01-50	6 - 10	YF1-55016-30-70	19 - 4	YF1-58415-13-80	11 - 31	YF1-60250-30-40	1 - 3		3 - 10
YF0-11235-08-25	19 - 25	YF0-48140-01-60	7 - 7	YF1-55016-30-80	19 - 2	YF1-58415-14-90	11 - 27	YF1-60305-10-10	11 - 10		3 - 13
YF0-11235-08-30	18 - 2	YF0-48141-02-80	3 - 28	YF1-55016-32	19 - 13	YF1-58415-15-60	11 - 17	YF1-60305-10-52	11 - 11	YF1-62410-45-60	3 - 11
YF0-11235-08-35	8 - 12	YF0-48145-03	1 - 23	YF1-55016-33-20	19 - 21	YF1-58415-36-22	12 - 16	YF1-60305-10-60	11 - 28	YF1-62410-48-13	3 - 4
YF0-11236-08-14	1 - 2		6 - 28	YF1-55016-33-70	19 - 3	YF1-58415-38-50	12 - 9	YF1-60305-13-20	11 - 32	YF1-62410-51-40	1 - 15
	6 - 36	YF0-48145-06	6 - 9	YF1-55016-33-80	19 - 11	YF1-58415-38-60	12 - 10	YF1-60305-15-40	11 - 29	YF1-62410-51-50	1 - 16
YF0-11735-10-85	18 - 3	YF1-49114-27-50	11 - 3	YF1-55017-24-70	10 - 11	YF1-58417-30-20	2 - 21	YF1-60309-60-10	11 - 36	YF1-62410-53-70	1 - 18
YF3-12201-41-70	6 - 35		21 - 4	YF1-55018-82-10	10 - 6	YF1-58419-10-40	6 - 18	YF1-60324-20-10	11 - 2	YF1-62410-55-10	1 - 24
YF0-13111-06-14	17 - 22	YF1-49714-27-50	12 - 5	YF1-55019-10-20	19 - 22	YF1-58419-15	11 - 7	YF1-60325-30-01	12 - 18	YF1-62410-55-50	1 - 14
YF0-13111-06-20	11 - 6		21 - 5	YF1-55019-33-10	19 - 20	YF1-58419-20-20	17 - 26	YF1-60325-30-91	12 - 15	YF1-62410-55-51	15 - 6
YF0-15135-08-22	16 - 7	YF0-50120-05-08	2 - 10	YF1-55019-66-70	19 - 19		17 - 31	YF1-60325-31-60	12 - 23	YF1-62410-56-70	1 - 17
YF0-17545-06-10	10 - 3	YF0-50120-06-10	2 - 12	YF1-55046-30-30	19 - 8	YF1-58419-23-20	11 - 8	YF1-60325-31-70	12 - 21	YF1-62411-31-10	4 - 16
YF1-19827-24-60	10 - 12	YF0-50120-08-14	2 - 11	YF1-55046-30-40	19 - 7	YF1-58419-23-30	17 - 32	YF1-60325-32-30	12 - 20	YF1-62411-32-80	4 - 22
YF0-20565-00-60	6 - 22	YF1-50213-36-60	2 - 20	YF1-55046-31-20	19 - 24	YF1-58419-31-10	11 - 30	YF1-60325-32-80	12 - 24	YF1-62411-40-32	4 - 30
	13 - 3	YF1-51084-32-90	13 - 12	YF1-55046-35	19 - 5	YF1-58419-40-22	4 - 28	YF1-60325-33-50	12 - 22	YF1-62411-42-30	4 - 31
	17 - 17	YF1-51084-36-10	13 - 9	YF1-55046-35-30	19 - 6	YF1-58419-45-70	11 - 18	YF1-60325-36-10	12 - 26	YF1-62411-42-40	4 - 32
YF0-21765-01	18 - 4	YF1-51084-37-80	13 - 10	YF1-55212-35-30	3 - 32	YF1-58419-66-50	11 - 33	YF1-60329-20-30	12 - 19	YF1-62411-43-10	4 - 29
YF3-23321-63-10	14 - 5	YF1-52210-17-50	1 - 1	YF1-55212-39-50	3 - 32	YF1-58419-66-60	11 - 35	YF1-60329-40-40	12 - 25	YF1-62411-43-50	4 - 25

NUMERICAL INDEX

PART NO.	REF. NO.	PART NO.	REF. NO.	PART NO.	REF. NO.	PART NO.	REF. NO.	PART NO.	REF. NO.	PART NO.	REF. NO.
YF1-62411-44-10	4 - 33	YF1-62417-33-50	8 - 7	YF1-62619-73-01	5 - 2	YF1-62922-38-70	3 - 31	YF1-92376-59-10	18 - 14	YFT-K1NM0-6A-50	29 - 3
YF1-62411-44-30	4 - 27	YF1-62417-33-60	8 - 8	YF1-62619-73-11	5 - 3	YF1-62991-31-20	4 - 17	YF0-93188-81-50	1 - 27	YFT-K1NM0-8A-50	23 - 3
YF1-62411-51-10	4 - 2	YF1-62417-33-70	8 - 2	YF1-62619-73-21	5 - 21	YF1-62995-62-60	5 - 32	YF0-93188-90-39	9 - 9		23 - 8
YF1-62411-62-70	4 - 7	YF1-62417-42-50	10 - 2	YF1-62640-41-30	6 - 14	YF1-63569-70-11	18 - 11	YF1-94347-30-14	8 - 9		27 - 7
YF1-62411-63-20	5 - 10	YF1-62419-10-20	18 - 10	YF1-62640-43-20	3 - 3	YF6-64366-40-20	18 - 26	YF1-94845-54-40	5 - 18	YFT-K1NM1-0A-50	28 - 5
YF1-62411-65-10	4 - 5	YF1-62419-10-40	6 - 19	YF1-62640-48-20	3 - 6	YF6-64366-40-40	18 - 22	YF0-96614-07	21 - 3	YFT-K1NM1-2A-50	23 - 16
YF1-62412-13-10	3 - 16	YF1-62419-14-90	16 - 3	YF1-62645-21-40	13 - 2	YF3-66022-32-40	6 - 38	YF0-96618-02	21 - 1	YFT-K1PWM-05-E5	32 - 26
YF1-62412-13-30	3 - 17	YF1-62419-20-20	17 - 12	YF1-62645-72-10	17 - 14	YF1-66161-16-20	14 - 1	YF0-96618-06-50	21 - 2	YFT-K1PWM-06-E5	22 - 13
YF1-62412-21-40	3 - 20	YF1-62419-23-30	5 - 7	YF1-62647-29-20	8 - 4	YF1-66316-58-40	18 - 13	YFE-BM200-00	26 - 6		24 - 7
YF1-62412-23-10	3 - 21	YF1-62419-31-20	6 - 13	YF1-62648-31-52	21 - 7	YF1-66526-43-10	18 - 35	YF1-C0101-31-50	4 - 21	YFT-K1PWM-08-E5	23 - 5
YF1-62412-29-70	3 - 21	YF1-62419-40-20	17 - 11	YF1-62648-33-42	6 - 26	YF1-66526-47-70	18 - 24	YF1-C0106-58-30	18 - 15		23 - 10
YF1-62412-29-80	3 - 21	YF1-62419-52-30	5 - 8	YF1-62650-15	7 - 1	YF1-66526-47-80	18 - 30	YF1-C0106-58-80	18 - 16	YFT-K1PWM-10-E5	23 - 14
YF1-62412-32-50	3 - 27	YF1-62419-56-90	11 - 1	YF1-62655-50-13	5 - 12	YF1-66786-42-30	18 - 32	YF1-C0106-59-10	18 - 17		28 - 4
YF1-62412-32-80	3 - 26	YF1-62419-60-10	2 - 6	YF1-62655-64-80	5 - 24	YF1-66786-58-30	18 - 12	YF6-C0405-54-12	20 - 2		29 - 14
YF1-62412-34-70	3 - 29	YF1-62419-62-62	2 - 15	YF1-62657-42-80	18 - 9	YF1-66839-60-20	2 - 5	YF1-E0230-10-17	2 - 1	YFT-K3700-03-10	30 - 8
YF1-62412-34-80	3 - 30	YF1-62459-15-30	6 - 21	YF1-62659-66-71	7 - 4	YF1-69201-24-10	16 - 8	YFS-EC36S-PW-G5	32 - 6	YFT-K3T10-33-36	32 - 36
YF1-62412-39-10	3 - 29	YF1-62459-15-40	6 - 25	YF1-62710-34-50	1 - 10	YF1-69201-24-30	16 - 9	YFS-EC425-SP-G5	32 - 29	YFT-K3T20-10-65	22 - 17
YF1-62412-39-20	3 - 29		17 - 16	YF1-62711-32-40	4 - 18	YFF-71610-1A-25	32 - 24	YFS-EC48S-PW-G6	32 - 7	YFT-K3T20-14-68	31 - 6
YF1-62412-39-30	3 - 30	YF1-62517-30-34	8 - 13	YF1-62712-10-50	3 - 15	YFF-71650-2A-25	32 - 23	YFS-EC516-SP-G5	26 - 8	YFT-K3T20-16-82	27 - 9
YF1-62412-39-40	3 - 30	YF1-62590-42-10	6 - 24	YF1-62712-10-90	3 - 15	YF1-72037-28-60	9 - 10	YFS-EC615-SP-G5	32 - 30	YFT-K3T30-17-19	22 - 10
YF1-62412-41-10	3 - 23	YF1-62590-55-81	1 - 28	YF1-62712-40-10	4 - 9	YF1-72086-00-10	17 - 21	YFS-EC640-SP-G5	32 - 35	YFT-K3T30-18-86	22 - 1
YF1-62412-42-50	4 - 14	YF1-62593-28-82	6 - 7	YF1-62712-49-80	4 - 10	YF1-72150-46-10	6 - 33	YF1-G0315-42-10	17 - 31	YFT-K3T30-26-90	27 - 1
YF1-62412-43-20	4 - 13	YF1-62593-29-02	6 - 8	YF1-62713-20-92	6 - 29	YF1-73317-33-42	1 - 14	YF1-G0320-55-11	1 - 24	YFT-K3T30-26-95	24 - 3
YF1-62412-43-60	4 - 11	YF1-62593-51-32	6 - 12	YF1-62715-12-20	11 - 15	YF1-73919-61-60	2 - 8	YF1-G0321-45-06	1 - 12	YFT-K3T30-26-96	25 - 9
YF1-62412-43-70	4 - 12	YF1-62595-40-90	17 - 24	YF1-62715-37-12	12 - 6	YF1-74071-17-72	15 - 1	YF1-G0325-61-31	5 - 27	YFT-K3T30-27-68	27 - 5
YF1-62412-51-60	6 - 32	YF1-62595-41-02	17 - 25	YF1-62715-37-22	12 - 7	YF1-74232-50-13	6 - 30	YF1-G0325-61-51	5 - 30	YFT-K3T30-32-16	32 - 1
YF1-62413-36-50	2 - 14	YF1-62597-35-12	8 - 17	YF1-62715-37-32	12 - 8	YF1-74563-64-10	7 - 8	YF1-G0325-64-71	5 - 28	YFT-K3T30-32-17	32 - 3
YF1-62413-50-70	6 - 11	YF1-62597-35-20	8 - 14	YF1-62715-53-50	2 - 18	YF1-74563-64-20	7 - 9	YF1-G0400-33-11	1 - 11	YFT-K3T30-32-19	31 - 1
YF1-62413-56-30	3 - 25	YF1-62597-35-52	8 - 15	YF1-62715-54-10	5 - 22	YF1-74786-00-80	20 - 6	YF1-G0430-30-43	1 - 3	YFT-K3T30-32-20	31 - 5
YF1-62413-69-30	6 - 5	YF1-62599-10-40	6 - 20	YF1-62715-60-24	17 - 6	YF1-74787-02	20 - 7	YF1-G0655-36-11	12 - 26	YFT-K3T30-32-21	23 - 1
YF1-62413-69-50	6 - 4	YF1-62610-40-40	3 - 9	YF1-62715-71-52	17 - 2	YF1-74787-02-01	32 - 11	YF1-G0655-39-01	12 - 15	YFT-K3T30-33-18	32 - 2
YF1-62415-11-13	5 - 5	YF1-62610-40-50	3 - 12	YF1-62715-77-20	17 - 13	YF1-75385-11-50	5 - 4	YF1-G3477-20-60	9 - 1	YFT-K3T30-35-17	26 - 1
YF1-62415-11-90	5 - 6	YF1-62611-17-70	15 - 1	YF1-62715-77-21	17 - 7	YF1-75388-30-40	8 - 3	YF1-G3477-23-30	9 - 3	YFT-K3T50-12-24	26 - 7
YF1-62415-41-20	17 - 30	YF1-62611-18-22	15 - 2	YF1-62715-77-40	17 - 10	YF1-75801-60-60	9 - 2	YF1-G5133-65-50	7 - 10	YFT-K3T50-12-71	30 - 6
YF1-62415-50-62	5 - 16	YF1-62611-23-50	16 - 2	YF1-62719-20-10	16 - 4	YF0-77150-02-01	6 - 6	YF1-G6427-30-50	8 - 16	YFT-K3T50-12-91	30 - 14
YF1-62415-52-60	5 - 17	YF1-62611-33-31	4 - 19	YF1-62719-52-30	3 - 24	YF1-89013-02-70	21 - 6	YF1-G6731-55-51	4 - 1	YFT-K3T50-15-32	30 - 15
YF1-62415-52-70	5 - 15	YF1-62611-35-41	1 - 6	YF1-62719-61-60	2 - 9		26 - 2	YF1-G6807-28-70	9 - 11	YFT-K3T50-15-33	32 - 33
YF1-62415-53-92	5 - 13	YF1-62611-35-61	1 - 7	YF1-62719-80-50	19 - 10	YF1-90775-36-50	12 - 17	YF1-G6907-41-20	24 - 5	YFT-K4430-02-80	31 - 3
YF1-62415-54-50	5 - 19	YF1-62611-42-64	4 - 23	YF1-62725-11-51	5 - 4	YFE-91513-31-40	1 - 22	YF1-G6920-10-13	2 - 1	YFT-K4430-04-20	31 - 8
YF1-62415-54-63	5 - 20	YF1-62611-45-03	1 - 12	YF1-62816-55-11	12 - 12		6 - 27	YF1-G7002-19-81	3 - 19	YFT-K4440-00-26	29 - 2
YF1-62415-55-54	5 - 23	YF1-62611-45-20	1 - 13	YF1-62825-53-20	5 - 14	YF1-92022-35-40	3 - 33	YF1-G7002-20-12	3 - 18	YFT-K4440-00-9B	29 - 7
YF1-62415-62-10	5 - 34	YF1-62611-45-23	1 - 13	YF1-62829-60-10	2 - 17	YF1-92022-39-70	3 - 33	YF1-G8010-51-21	1 - 26	YFT-K4440-00-9R	29 - 9
YF1-62415-62-50	5 - 31	YF1-62611-60-10	4 - 3	YF1-62850-44-61	3 - 5	YF1-92022-39-80	3 - 33	YF1-G8826-06-03	32 - 34	YFT-K4700-07-40	30 - 12
YF1-62415-63-30	5 - 29	YF1-62614-25-02	12 - 1	YF1-62855-20-32	13 - 1	YF1-92126-31	19 - 15	YF1-G9110-52-03	1 - 25	YFT-K4700-08-10	30 - 13
YF1-62415-63-40	5 - 35	YF1-62615-62-80	2 - 16	YF1-62855-64-12	5 - 25	YF1-92126-31-10	19 - 16	YFT-K1NM0-5A-50	32 - 28	YFT-K4E50-10-50	30 - 4
YF1-62415-71-62	17 - 3	YF1-62616-38-22	6 - 31	YF1-62856-30-12	19 - 1	YF1-92126-31-20	19 - 18	YFT-K1NM0-6A-50	22 - 14	YFT-K4T30-20-93	29 - 1
YF1-62416-44-20	18 - 1	YF1-62616-55-60	12 - 13	YF1-62922-34-90	3 - 31	YF1-92129-71-30	19 - 17		24 - 8	YFT-K4T30-27-71	24 - 1
YF1-62417-33-40	8 - 18	YF1-62619-60-21	6 - 2	YF1-62922-38-60	3 - 31	YF1-92224-32-80	13 - 11		25 - 15	YFT-K4T30-27-72	27 - 6

NUMERICAL INDEX

PART NO.	REF. NO.	PART NO.	REF. NO.	PART NO.	REF. NO.	PART NO.	REF. NO.	PART NO.	REF. NO.	PART NO.	REF. NO.
YFT-K4T30-28-19	27 - 4	YFT-KWMS0-80	23 - 4	YFT-Y9901-00-0A	26 - 3						
YFT-K4T30-28-53	23 - 6		23 - 9								
	23 - 11	YFT-KWMS1-00	22 - 9								
YFT-K4T30-35-19	25 - 16		23 - 13								
YFT-K4T50-10-42	30 - 3		29 - 13								
YFT-K4T50-10-43	30 - 5	YFS-M0615-SP-A5	22 - 18								
YFT-K4T50-11-27	30 - 7	YFB-M1020-C5-12	29 - 12								
YFT-K4T50-11-28	30 - 10	YFB-M1025-B5-12	22 - 8								
YFT-K4T50-11-29	30 - 11		23 - 12								
YFT-K4T50-11-30	30 - 9	YFS-M1025-SP-A5	28 - 3								
YFT-K4T50-12-48	31 - 10	YFS-M1030-SW-A6	26 - 5								
YFT-K4T50-14-38	30 - 2	YFX-M30NB-25-A3	32 - 8								
YFT-K4T50-14-39	30 - 2	YFX-M50NB-45-A3	32 - 8								
YFT-K4T50-14-49	30 - 1	YFS-M515S-PW-A6	27 - 10								
YFT-K4T50-14-52	30 - 1	YFS-M614S-PW-A6	25 - 14								
YF1-K5227-28-50	9 - 7	YFS-M615S-PW-A5	24 - 6								
YF1-K5227-29-40	9 - 8	YFS-M625S-PW-A6	31 - 2								
YF1-K5521-21-11	16 - 5		31 - 4								
YF1-K5746-02-20	20 - 4	YFS-M816S-PW-A6	25 - 11								
YF1-K5746-40-15	18 - 18		25 - 12								
YF1-K5746-46-04	18 - 45	YFS-M820S-PW-A6	24 - 2								
YF1-K5911-23-10	16 - 1		24 - 4								
YF1-K5915-70-15	17 - 1		25 - 10								
YFT-K8500-00	32 - 12		25 - 13								
YFT-KB102-71-30	32 - 5		25 - 17								
YFT-KBM06-35-A5	22 - 5		26 - 4								
	22 - 11		27 - 2								
YFT-KBM08-20-C5	22 - 19		27 - 3								
YFT-KBM08-30-A5	22 - 2		27 - 8								
YFT-KBM12-65-A5	23 - 15	YFB-M825A-SS-Y0	29 - 11								
YFT-KF65B-D0	32 - 22	YFW-P5W2K-00	32 - 31								
YFT-KF66A-D0	32 - 21	YFT-RC55F-22-0V	32 - 15								
YFT-KG016-L3-38	31 - 9	YFT-RR55C-30-0V	32 - 9								
YFT-KJTP2-00-6P	32 - 20	YFT-RR55C-44-0V	32 - 9								
YFT-KJTP2-01-2P	31 - 7	YFT-RS55H-40-A0	32 - 14								
YFT-KKA25-00	32 - 25	YFT-RS55H-60-A0	32 - 14								
YFT-KKA45-00	23 - 2	YFD-ST51D-FK-V0	32 - 16								
	23 - 7	YF3-T1030-79-01	29 - 8								
YFT-KM516-63-4C	29 - 5	YF3-T1030-79-02	29 - 6								
YFS-KMT15-0V-S0	28 - 1	YF3-T1030-79-03	29 - 10								
YFT-KNO63-06-ZZ	22 - 16	YFC-T2MR1-20-5A	32 - 32								
YFT-KTS21-20-8P	32 - 19	YFS-TM150-VS-W3	28 - 2								
YFT-KUKT8-04-J0	32 - 20	YFK-TWMS0-60	29 - 4								
YFT-KWMS0-50	32 - 27	YFH-W1P2M-5G	32 - 10								
YFT-KWMS0-60	22 - 6	YFT-WKC00-49-ST	22 - 4								
	22 - 12	YFT-WKC00-63-RT	22 - 15								
YFT-KWMS0-80	22 - 3	YFT-WKC00-63-ST	22 - 7								
	22 - 20	YFT-WKC00-84-ST	22 - 7								