



PARTS CATALOGUE

EF2400iS (7CF3) EUROPE

EF2400iS (7CF3) KOR,PER,PHL,SAU



1D7CF-300E1

(2D7CF-300E1)

2013-2-26

| NEWS NO. | DATE | COMMENT |
|---------------|-----------------|---|
| PE0-GE-060003 | Mar., 17, 2006 | EF2400iS(7CF2,7CF3) PARTS CATALOGUE CORRECTIONS |
| PE0-GE-090002 | Jul., 9., 2009 | EF2400iS(7CF2) PARTS CATALOGUE CORRECTIONS |
| PE0-GE-100018 | Oct., 6., 2010 | EF2400iS(7CF2.7CF3) PARTS CATALOGUE CORRECTIONS |
| PE0-GE-130009 | Feb., 21., 2013 | EF2400iS(7CF3) PARTS CATALOGUE CORRECTIONS |

EF2400iS
PARTS CATALOGUE
©2005 by Yamaha Motor Co., Ltd.
1st edition, June 2005
All rights reserved.
Any reprinting or unauthorized use
without the written permission of
Yamaha Motor Co., Ltd.
is expressly prohibited.
Printed in Japan.

A3

FOREWORD

This Parts Catalogue is related to the parts for the model(s) on the cover page. When you are ordering replacement parts, please refer to this Parts Catalogue and quote both part numbers and part names correctly.

1. Modifications or additions which have been made after the issue of the Parts Catalogue will be announced in the Parts News.

It is advisable that you make the necessary corrections to the Parts Catalogue according to the Parts News.

2. Abbreviations

The following abbreviations are used in this Parts Catalogue.

“UR” Use specified parts number.

“UN” Use as many as needed.

“AP” Alternate Parts

“LM” Locally Made (Parts need to be ordered locally)

“F#” Frame No. (Applicable machine No.)

“O/S” Over Size

3. The number of components for assembly

- Parts, which are to be supplied in an assembly, are listed with a dot (.) in front of the part name as shown below.
- The numeral appearing to the right of each component part indicates the quantity of parts for each assembly unit.

| PART NO. | DESCRIPTION | Q'TY | REMARKS |
|--------------|--------------------------|------|---------|
| 2F5-83310-60 | FRONT FLASHER LIGHT ASSY | 2 | |
| 115-83311-60 | .BULB (6V-18W) | 1 | |

4. Applicable colours of graphics are represented in the “REMARKS” as shown below.

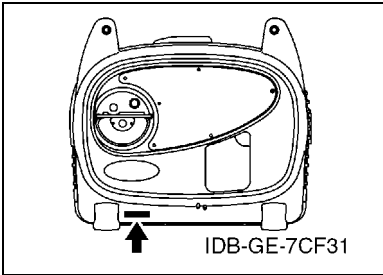
| PART NO. | DESCRIPTION | Q'TY | REMARKS |
|-----------------|---------------------|------|---------|
| 2N4-24110-00-X5 | FUEL TANK COMP. | 2 | MXR |
| 3J1-24240-10 | .GRAPHIC, FUEL TANK | 1 | FOR MXR |

5. Note that the illustrations for reference in finding parts numbers are not to be used for assembling. When assembling, please use the applicable service manual.

6. The asterisk (*) before a reference number indicates modified items after the first edition.

FOREWORD

7. Applicable Serial No.
 Frame Serial No.



9. Applicable Starting Serial No.
 *****Serial NO.

| Model | Model Code | Destination | Voltage | Serial NO. |
|----------|------------|-----------------|-----------|--------------|
| EF2400iS | 7CF3 | EUROPE | 230V-50Hz | 7CF3-0300101 |
| EF2400iS | 7CF3 | KOR,PER,PHL,SAU | 220V-60Hz | 7CF3-0320101 |

8. Applicable Colour Code (The (*) mark shows Model colour.)

| Abbreviation | Colour Name | Colour Code |
|--------------|-----------------------|-------------|
| PBS3(*) | PURPLISH BLUE SOLID 3 | 0714 |
| | | |
| | | |
| | | |
| | | |
| | | |
| | | |
| | | |
| | | |

CONTENTS

| | |
|----------------------------|-----|
| CYLINDER | B2 |
| CRANKSHAFT & PISTON | B3 |
| CAMSHAFT & VALVE | B4 |
| AIR SHROUD & STARTER | B5 |
| INTAKE | B6 |
| CARBURETOR | B7 |
| EXHAUST | B9 |
| CRANKCASE | B10 |
| FRAME | B11 |
| FRAME 2 | B12 |
| FRAME 3 | B13 |
| FUEL TANK | B14 |
| MAGNETO | B15 |
| GENERATOR | C2 |
| CONTROL BOX | C3 |
| LABELS | C5 |

INDEX

| | |
|-----------------------|----|
| NUMERICAL INDEX | M1 |
|-----------------------|----|

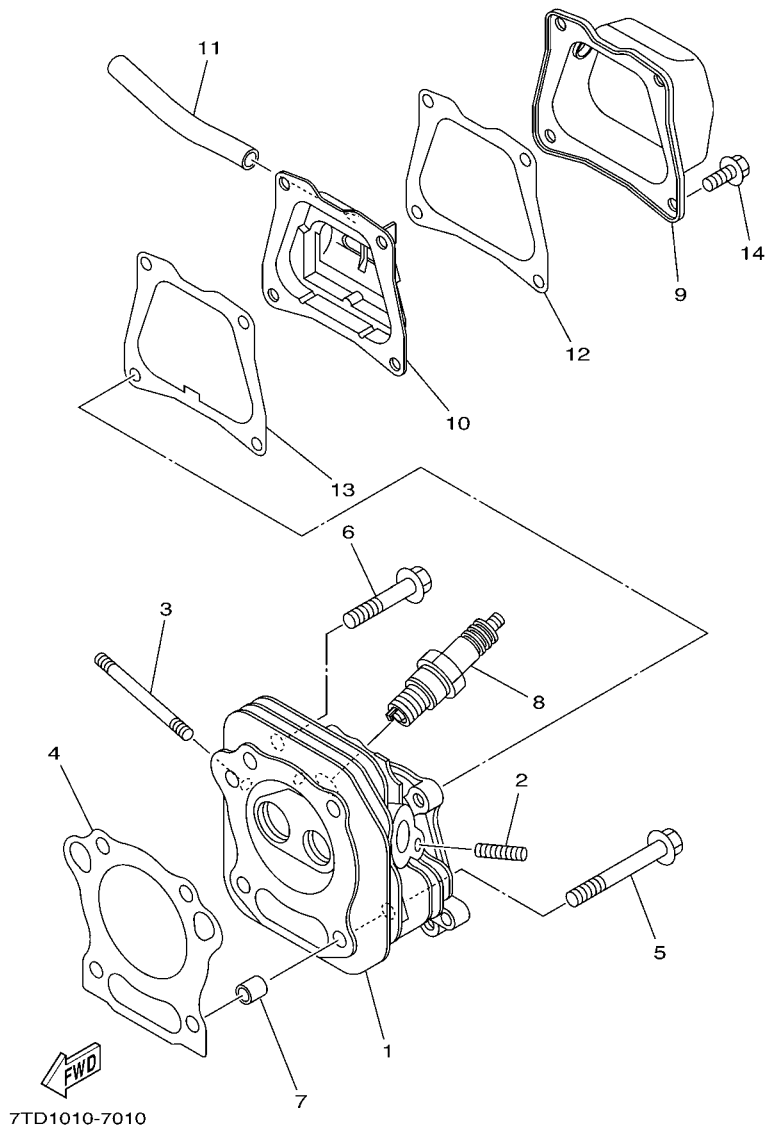
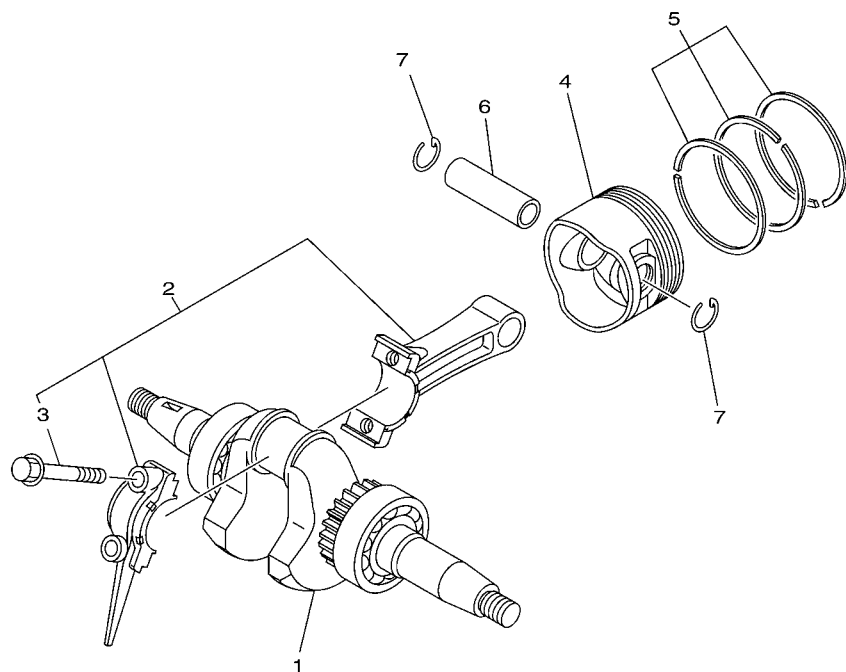


FIG. 1 CYLINDER

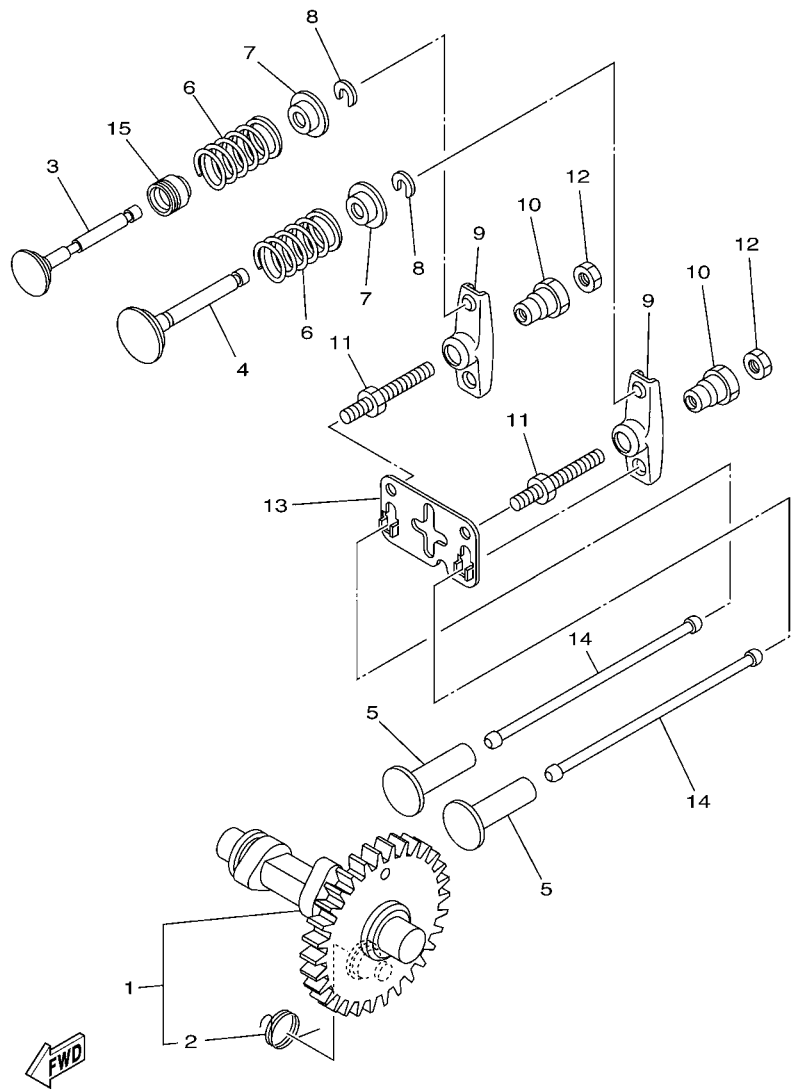
| REF. NO. | PART NO. | DESCRIPTION | 7CF3 | | | | REMARKS |
|----------|--------------|--------------------------|------|--|--|--|---------|
| 1 | 7CN-E1111-00 | HEAD, CYLINDER 1 | 1 | | | | |
| 2 | 95607-06615 | BOLT, STUD | 2 | | | | |
| 3 | 90116-06807 | BOLT, STUD | 2 | | | | |
| 4 | 7CN-E1181-00 | GASKET, CYLINDER HEAD 1 | 1 | | | | |
| 5 | 95827-08065 | BOLT, FLANGE | 2 | | | | |
| 6 | 95827-08045 | BOLT, FLANGE | 2 | | | | |
| 7 | 99530-10114 | PIN, DOWEL | 2 | | | | |
| 8 | 94702-00331 | PLUG, SPARK (NGK BPR4ES) | 1 | | | | |
| 9 | 7CN-E1191-00 | COVER, CYLINDER HEAD 1 | 1 | | | | |
| 10 | 7CN-E1160-00 | BREATHER ASSY | 1 | | | | |
| 11 | 90445-13800 | HOSE | 1 | | | | |
| 12 | 7CN-E1169-00 | GASKET, BREATHER COVER | 1 | | | | |
| 13 | 7CN-E1193-00 | GASKET, HEAD COVER 1 | 1 | | | | |
| 14 | 95827-06012 | BOLT, FLANGE | 4 | | | | |
| | | | | | | | |
| | | | | | | | |
| | | | | | | | |
| | | | | | | | |

FIG. 2 CRANKSHAFT & PISTON



7WL1010-A020

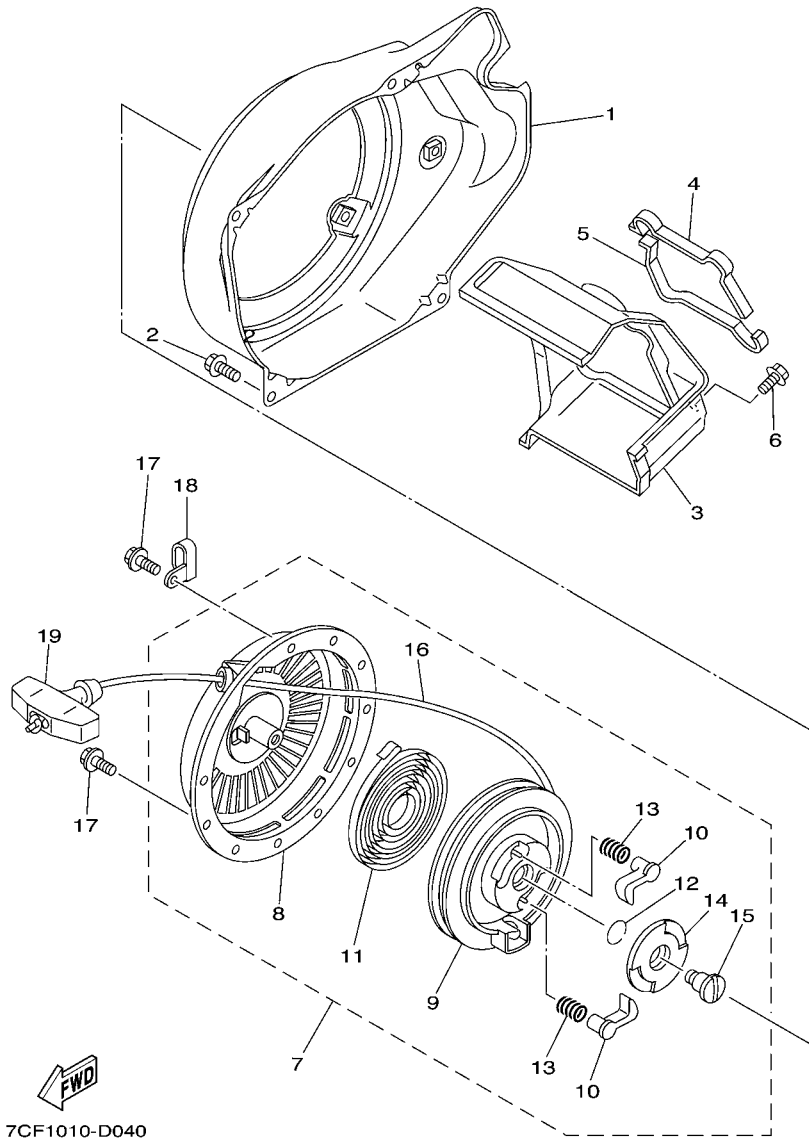
| REF. NO. | PART NO. | DESCRIPTION | 7CF3 | | | | REMARKS |
|----------|--------------|------------------------------|------|--|--|--|---------|
| 1 | 7CN-E1400-A0 | CRANKSHAFT ASSY | 1 | | | | |
| 2 | 7CN-E1650-00 | CONNECTING ROD ASSY | 1 | | | | |
| 3 | 7CN-E1654-00 | .BOLT, CONNECTING ROD | 2 | | | | |
| 4 | 7CN-E1631-00 | PISTON (STD) | 1 | | | | |
| | 7CN-E1635-00 | PISTON (0.25MM O/S) | 1 | | | | AP |
| | 7CN-E1636-00 | PISTON (0.50MM O/S) | 1 | | | | AP |
| 5 | 7CN-E1610-00 | PISTON RING SET (STD) | 1 | | | | |
| | 7CN-E1610-10 | PISTON RING SET (0.25MM O/S) | 1 | | | | AP |
| | 7CN-E1610-20 | PISTON RING SET (0.50MM O/S) | 1 | | | | AP |
| 6 | 7CN-E1633-00 | PIN, PISTON | 1 | | | | |
| 7 | 93450-17828 | CIRCLIP | 2 | | | | |
| | | | | | | | |
| | | | | | | | |
| | | | | | | | |
| | | | | | | | |
| | | | | | | | |



7WC1110-1070

FIG. 3 CAMSHAFT & VALVE

| REF. NO. | PART NO. | DESCRIPTION | 7CF3 | | | | REMARKS |
|----------|--------------|------------------------|------|--|--|--|---------|
| 1 | 7CN-E2170-00 | CAMSHAFT ASSY 1 | 1 | | | | |
| 2 | 7CN-E2287-00 | .SPRING, DECOMPRESSION | 1 | | | | |
| 3 | 7CN-E2111-00 | VALVE, INTAKE | 1 | | | | |
| 4 | 7CN-E2121-00 | VALVE, EXHAUST | 1 | | | | |
| 5 | 7CN-E2153-00 | LIFTER, VALVE | 2 | | | | |
| 6 | 90501-20800 | SPRING, COMPRESSION | 2 | | | | |
| 7 | 7CN-E2117-00 | RETAINER, VALVE SPRING | 2 | | | | |
| 8 | 7CN-E2118-00 | COTTER, VALVE | 2 | | | | |
| 9 | 7CN-E2151-00 | ARM, VALVE ROCKER | 2 | | | | |
| 10 | 7CN-E2165-00 | PIVOT, ROCKER ARM | 2 | | | | |
| 11 | 7CN-E2157-00 | NUT, LOCK | 2 | | | | |
| 12 | 7CN-E2158-00 | NUT, LOCK | 2 | | | | |
| 13 | 7CN-E2155-00 | GUIDE, PUSH ROD | 1 | | | | |
| 14 | 7CN-E2154-00 | ROD, VALVE PUSH | 2 | | | | |
| 15 | 7CN-E2119-00 | SEAL, VALVE STEM | 1 | | | | |
| | | | | | | | |
| | | | | | | | |
| | | | | | | | |



7CF1010-D040

FIG. 4 AIR SHROUD & STARTER

| REF. NO. | PART NO. | DESCRIPTION | 7CF3 | | | | REMARKS |
|----------|--------------|------------------------|------|--|--|--|---------|
| 1 | 7CN-E2610-20 | FAN CASE ASSY | 1 | | | | |
| 2 | 95807-06012 | BOLT, FLANGE | 4 | | | | |
| 3 | 7CN-E2651-00 | AIR SHROUD, CYLINDER 1 | 1 | | | | |
| 4 | 7CP-E2658-00 | DAMPER, AIR SHROUD 1 | 1 | | | | |
| 5 | 7CP-E2659-00 | DAMPER, AIR SHROUD 2 | 1 | | | | |
| 6 | 95807-06012 | BOLT, FLANGE | 1 | | | | |
| 7 | 7CP-E5710-00 | STARTER ASSY | 1 | | | | |
| 8 | 7CP-15711-00 | .CASE, STARTER | 1 | | | | |
| 9 | 7CN-15714-00 | .DRUM, SHEAVE | 1 | | | | |
| 10 | 7CN-15741-00 | .PAWL, DRIVE | 2 | | | | |
| 11 | 7CN-15713-00 | .SPRING, STARTER | 1 | | | | |
| 12 | 7CN-15715-00 | .SPRING, FRICTION | 1 | | | | |
| 13 | 7CN-15743-00 | .SPRING, RETURN | 2 | | | | |
| 14 | 7CN-15716-00 | .PLATE, DRIVE | 1 | | | | |
| 15 | 7CN-15793-00 | .SCREW | 1 | | | | |
| 16 | 7CP-15751-00 | .WIRE, STARTER | 1 | | | | |
| 17 | 95807-06016 | BOLT, FLANGE | 3 | | | | |
| 18 | 7CN-F627E-00 | CLAMP,WIRE | 1 | | | | |
| 19 | 7TD-15755-00 | HANDLE, STARTER | 1 | | | | |

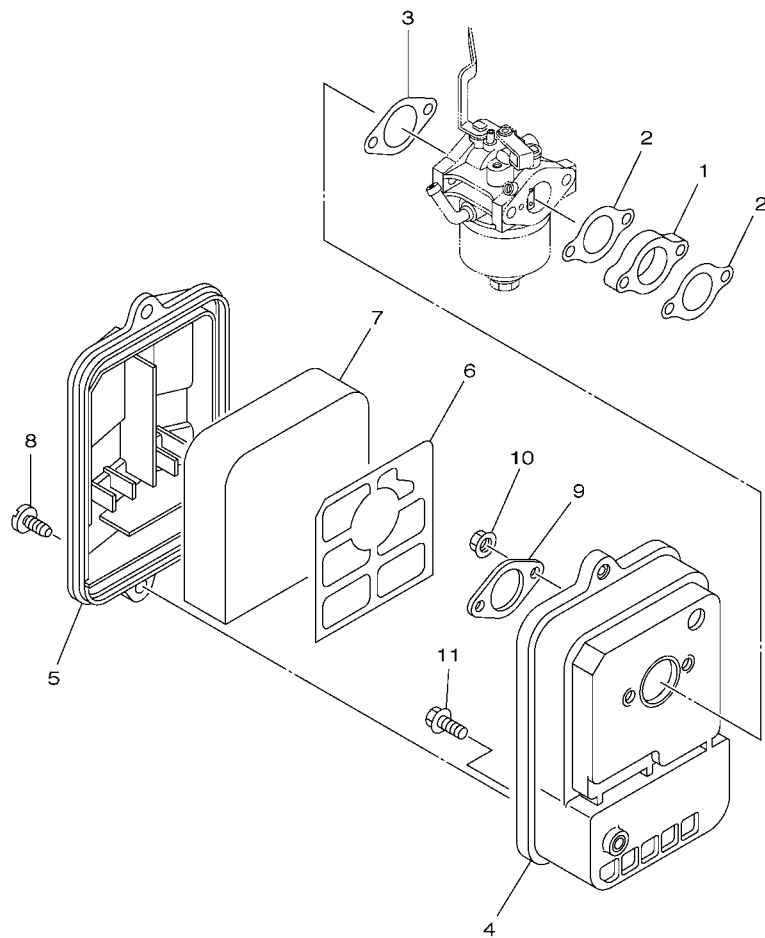
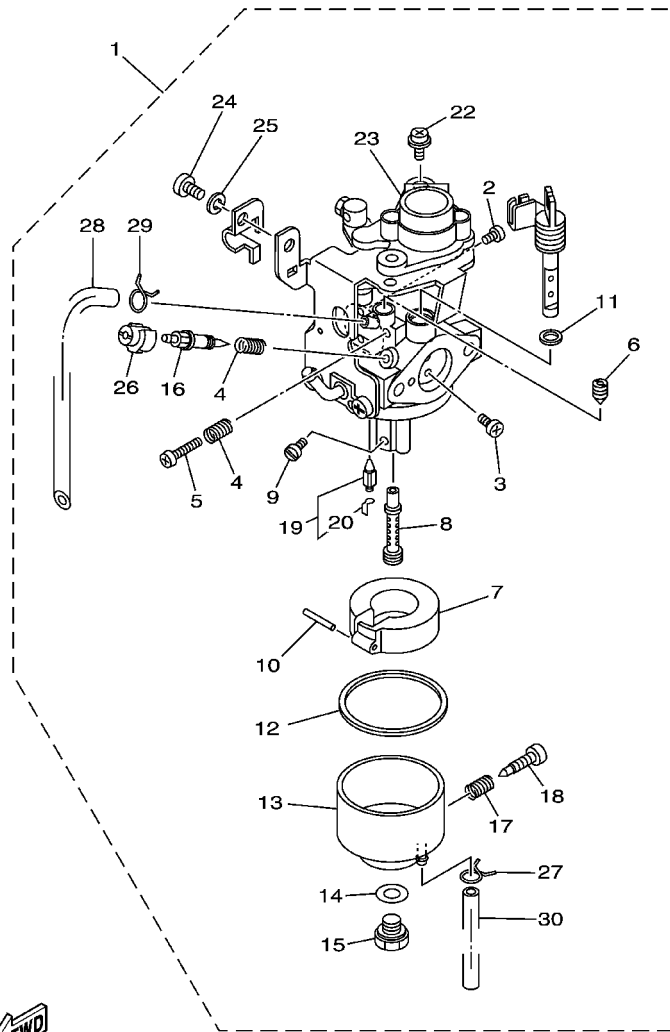


FIG. 5 INTAKE

| REF. NO. | PART NO. | DESCRIPTION | 7CF3 | | | | REMARKS |
|----------|--------------|-----------------------|------|--|--|--|---------|
| 1 | 7CN-E3596-00 | JOINT, CARBURETOR 2 | 1 | | | | |
| 2 | 7CN-E3557-00 | GASKET | 2 | | | | |
| 3 | 7CN-E3567-00 | GASKET | 1 | | | | |
| 4 | 7CN-E4411-00 | CASE, AIR CLEANER 1 | 1 | | | | |
| 5 | 7CN-E4412-00 | CAP, CLEANER CASE 1 | 1 | | | | |
| 6 | 7CN-E4468-01 | PLATE,ELEMENT FITTING | 1 | | | | |
| 7 | 7CN-E4451-00 | ELEMENT, AIR CLEANER | 1 | | | | |
| 8 | 90154-06823 | SCREW, BINDING | 2 | | | | |
| 9 | 7CN-E4477-00 | PLATE | 1 | | | | |
| 10 | 95707-06500 | NUT, FLANGE | 2 | | | | |
| 11 | 95807-06016 | BOLT, FLANGE | 1 | | | | |
| | | | | | | | |
| | | | | | | | |
| | | | | | | | |
| | | | | | | | |

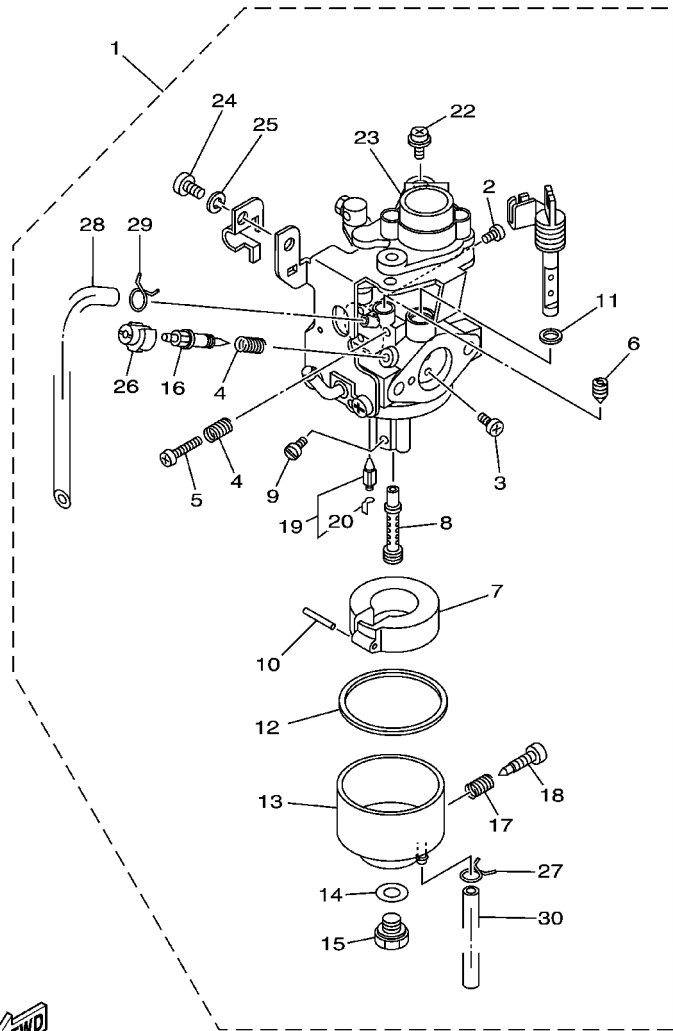

7WC3110-A070



7CF1010-D061

FIG. 6 CARBURETOR

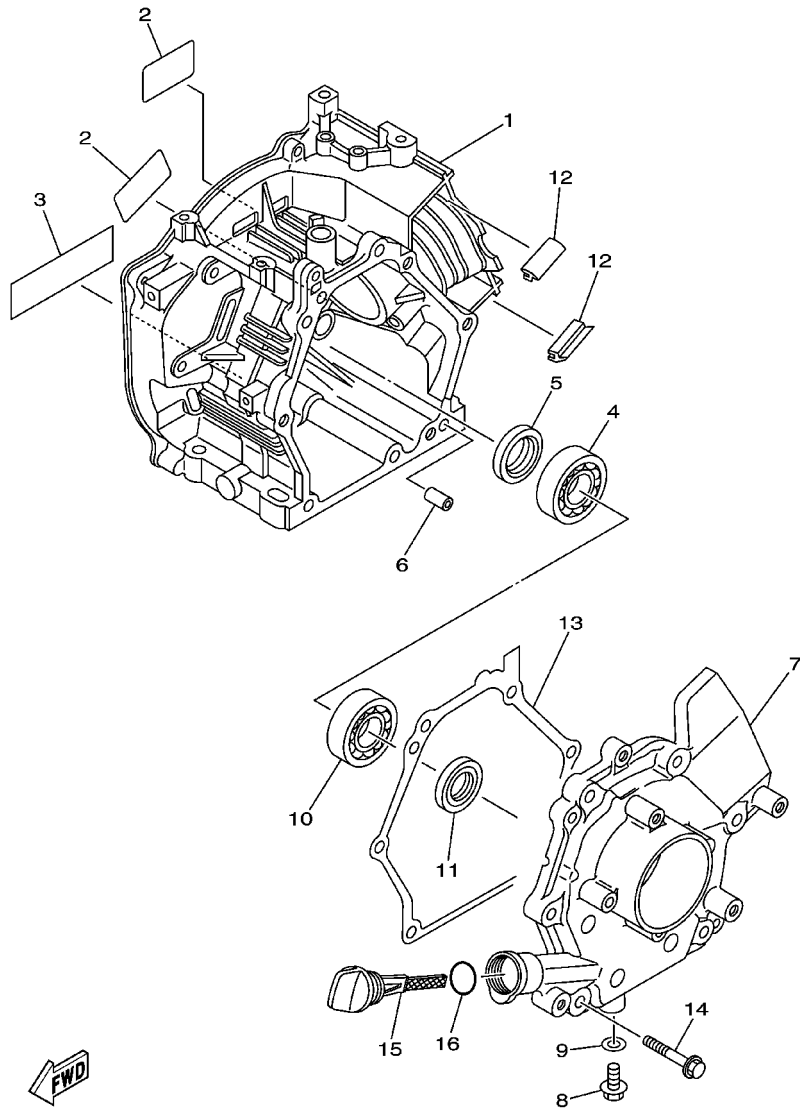
| REF. NO. | PART NO. | DESCRIPTION | 7CF3 | | | | REMARKS |
|----------|-----------------|-------------------------|------|--|--|--|---------|
| 1 | 7CF-E4101-00 | CARBURETOR ASSY 1 | 1 | | | | |
| 2 | 7RH-14216-00 | .SCREW | 2 | | | | |
| 3 | 7RH-14486-00 | .SCREW, ROD | 2 | | | | |
| 4 | 73A-14212-00 | .SPRING | 2 | | | | |
| 5 | 1WG-14922-00 | .SCREW, THROTTLE | 1 | | | | |
| 6 | 620-14142-35-A0 | .JET, PILOT (#35) | 1 | | | | |
| 7 | 7LG-14185-00 | .FLOAT | 1 | | | | |
| 8 | 7NN-1495F-1B | .NOZZLE, MAIN | 1 | | | | |
| 9 | 1HX-1423E-34-A0 | .JET, MAIN(#86.3) | 1 | | | | |
| 10 | 22F-14186-00 | .PIN, FLOAT | 1 | | | | |
| 11 | 7X9-14239-00 | .SEAL | 1 | | | | |
| 12 | 7G0-14184-00 | .GASKET, FLOAT CHAMBER | 1 | | | | |
| 13 | 7TD-14181-00 | .BODY, FLOAT CHAMBER 1 | 1 | | | | |
| 14 | 7G0-14227-00 | .WASHER | 1 | | | | |
| 15 | 7TD-14162-00 | .BOLT, HOLDING | 1 | | | | |
| 16 | 7NJ-14211-00 | .SCREW, PILOT ADJUSTING | 1 | | | | |
| 17 | 73A-14212-00 | .SPRING | 1 | | | | |
| 18 | 7E1-14191-00 | .PLUG, DRAIN | 1 | | | | |
| 19 | 7LG-14150-11 | .NEEDLE ASSY | 1 | | | | |
| 20 | 7EG-14159-00 | ..CLIP | 1 | | | | |
| 22 | 4SV-24453-00 | .SCREW | 2 | | | | |
| 23 | 7CF-81802-09 | .MOTOR UNIT ASSY | 1 | | | | |
| 24 | 98507-05008 | .SCREW, PAN HEAD | 3 | | | | |
| 25 | 92990-05100 | .WASHER, SPRING | 3 | | | | |
| 26 | 7LV-14118-00 | .CAP | 1 | | | | |
| 27 | 22F-14139-00 | .CLIP, PIPE | 1 | | | | |



7CF1010-D061

FIG. 6 CARBURETOR

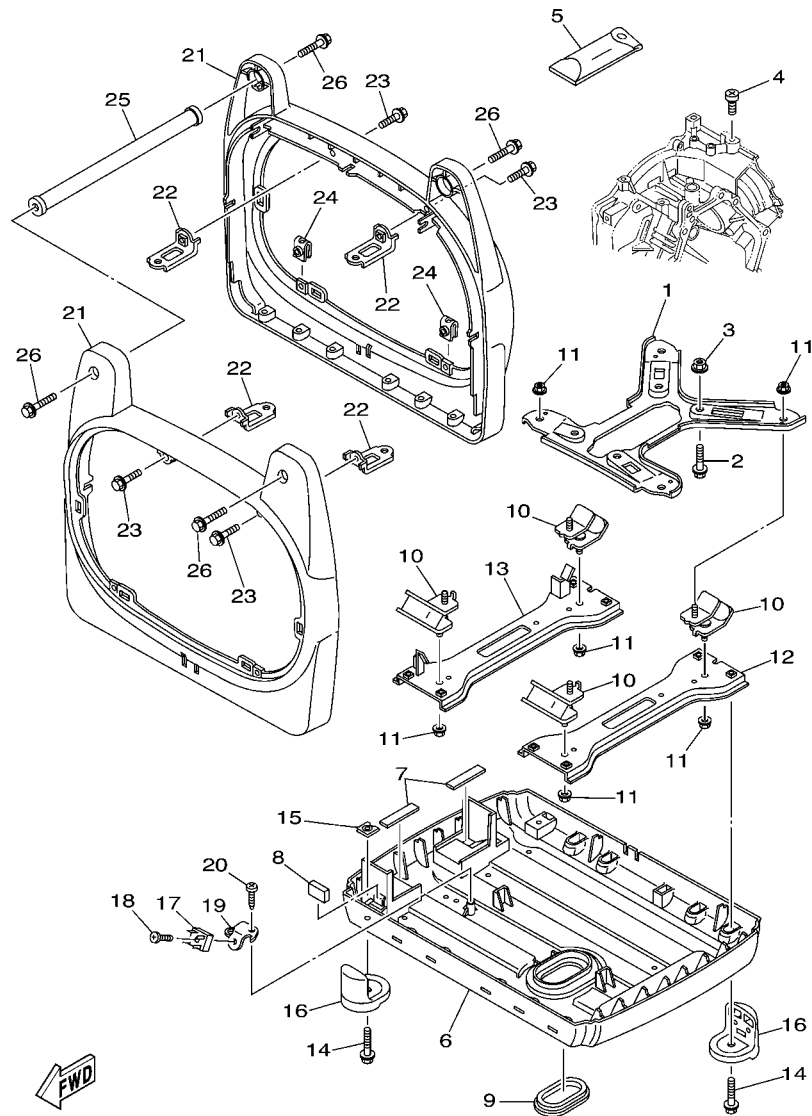
| REF. NO. | PART NO. | DESCRIPTION | 7CF3 | | | | REMARKS |
|----------|--------------|-------------|------|--|--|--|---------|
| 28 | 7WL-14197-00 | .PIPE | 1 | | | | |
| 29 | 14X-14937-00 | .CLIP | 1 | | | | |
| 30 | 1V3-14196-00 | .PIPE | 1 | | | | |
| | | | | | | | |
| | | | | | | | |
| | | | | | | | |
| | | | | | | | |
| | | | | | | | |
| | | | | | | | |
| | | | | | | | |



7CF3300-D081

FIG. 8 CRANKCASE

| REF. NO. | PART NO. | DESCRIPTION | 7CF3 | | | | REMARKS |
|----------|--------------|---------------------------|------|--|--|--|---------|
| 1 | 7CN-E5111-60 | CRANKCASE 1 | 1 | | | | |
| 2 | 7CP-E5315-00 | SEAL, CRANKCASE | 2 | | | | |
| 3 | 7CN-E5472-00 | SEAL, AIR DUCT | 1 | | | | |
| 4 | 93306-205XE | BEARING | 1 | | | | |
| 5 | 93102-25803 | OIL SEAL | 1 | | | | |
| 6 | 99530-08016 | PIN, DOWEL | 2 | | | | |
| 7 | 7CN-E5411-80 | COVER, CRANKCASE 1 | 1 | | | | |
| 8 | 95027-10016 | BOLT, FLANGE | 1 | | | | |
| 9 | 90430-10801 | GASKET | 1 | | | | |
| 10 | 93306-205XE | BEARING | 1 | | | | |
| 11 | 93102-25803 | OIL SEAL | 1 | | | | |
| 12 | 7CP-E5494-00 | SEAL, PROTECTOR | 2 | | | | |
| 13 | 7CN-E5451-00 | GASKET, CRANKCASE COVER 1 | 1 | | | | |
| 14 | 95827-08035 | BOLT, FLANGE | 6 | | | | |
| 15 | 7CN-E5362-20 | PLUG, OIL LEVEL | 1 | | | | |
| 16 | 93210-22805 | O-RING | 1 | | | | |
| | | | | | | | |
| | | | | | | | |
| | | | | | | | |
| | | | | | | | |



7CF1010-D090

FIG. 9 FRAME

| REF. NO. | PART NO. | DESCRIPTION | 7CF3 | | | | REMARKS |
|----------|--------------|-----------------------|------|--|--|--|---------------------------|
| 1 | 7CF-21411-00 | BRACKET, ENGINE 1 | 1 | | | | Go to P/N : PE0-GE-060003 |
| 2 | 95802-08030 | BOLT, FLANGE | 4 | | | | Go to P/N : PE0-GE-060003 |
| 3 | 95702-08500 | NUT, FLANGE | 4 | | | | |
| 4 | 98502-08012 | SCREW, PAN HEAD | 1 | | | | |
| 5 | 7TA-28100-00 | TOOL KIT | 1 | | | | |
| 6 | 7CF-22881-00 | BASE, MOUNTING | 1 | | | | |
| 7 | 7CF-2283L-00 | GUIDE 1 | 2 | | | | |
| 8 | 7CF-22869-00 | MOLE | 1 | | | | |
| 9 | 7WL-22857-00 | COVER 4 | 1 | | | | |
| 10 | 7VU-22894-00 | INSULATOR, MOUNTING 2 | 4 | | | | |
| 11 | 95702-08500 | NUT, FLANGE | 8 | | | | |
| 12 | 7CF-11011-00 | BRACKET, ENGINE 1 | 1 | | | | Go to P/N : PE0-GE-060003 |
| 13 | 7CF-11012-00 | BRACKET, ENGINE 2 | 1 | | | | Go to P/N : PE0-GE-060003 |
| 14 | 95802-06030 | BOLT, FLANGE | 10 | | | | |
| 15 | 90183-060A3 | NUT, SPRING | 2 | | | | |
| 16 | 7CF-22895-00 | INSULATOR, MOUNTING | 4 | | | | |
| 17 | 7VU-87105-00 | RECTIFIER ASSY 1 | 1 | | | | |
| 18 | 98502-05014 | SCREW, PAN HEAD | 1 | | | | |
| 19 | 7CF-8711E-00 | STAY, RECTIFIER | 1 | | | | |
| 20 | 97702-50014 | SCREW, TAPPING | 1 | | | | |
| 21 | 7CF-22811-00 | FRAME 1 | 2 | | | | |
| 22 | 7CF-24191-01 | BRACKET, FUEL TANK 1 | 4 | | | | |
| 23 | 95802-06012 | BOLT, FLANGE | 4 | | | | |
| 24 | 90183-05076 | NUT, SPRING | 6 | | | | |
| 25 | 7CF-22837-00 | GRIP | 2 | | | | |
| 26 | 95022-08016 | BOLT, FLANGE | 4 | | | | |

PARTS NEWS



News No. PE0-GE-060003

Date: Mar., 17., 2006

Signature: K. Otsuka

| | |
|---------------|--|
| Model | EF2400iS(7CF2, 7CF3) |
| Subject | PARTS CATALOGUE MODIFICATIONS |
| CATALOGUE NO. | 1D7CF-110E1, 1D7CF-171E1, 1D7CF-300E1, 1D7CF-700E1 |

Revised parts catalogue will be issued by PDF and be uploaded to YPEC within one month.
(YPEC=Yamaha Parts Electrical Catalogue = Website parts catalogue)

1. LIST CORRECTION

FIG.9 FRAME (1D7CF-110E1, 1D7CF-300E1, 1D7CF-700E1)

| Fig.No-Ref.No. | OLD P/No. | NEW P/No. | PART NAME | Q'TY | | REMARKS |
|----------------|--------------|---------------------|--------------------------|----------|---|-------------|
| 9- 1 | 7CF-21411-00 | 7CF-21411-01 | BRACKET, ENGINE 1 | 1 | ○ | * |
| 9- 2 | 95802-08030 | 95802-08035 | BOLT, FLANGE | 4 | ○ | * |
| 9-12 | 7CF-11011-00 | 7CF-11011-01 | BRACKET, ENGINE 1 | 1 | ○ | * |
| 9-13 | 7CF-11012-00 | 7CF-11012-01 | BRACKET, ENGINE 2 | 1 | ○ | * |
| 9-27 | ----- | 7CF-21419-00 | BRACKET, ENGINE 2 | 1 | ○ | *ADD |

Interchangeability with set

*The applicable MODELS, MODEL TYPE, and FRAME NO.'s are as follows.

| MODEL NAME | MODEL TYPE | DESTINATION | VOLTAGE | FRAME NO. |
|------------|------------|--------------------|-----------|--------------------------|
| EF2400iS | 7CF2 | USA | 120V-60Hz | 7CF-205419 and following |
| EF2400iS | 7CF3 | EUR | 230V-50Hz | 7CF-300549 and following |
| EF2400iS | 7CF3 | KOR, PER, PHL, SAU | 220V-60Hz | 7CF-320160 and following |
| EF2400iS | 7CF3 | AUS | 230V-50Hz | 7CF-310876 and following |

Thank you very much for your cooperation.

Parts
Manager
Check

Service
Manager
Check

Parts
Manager
File

YAMAHA MOTOR CO.,LTD
2500 Shingai Iwata Shizuoka 438-8501.Japan
Technical Publication Dept.



PARTS NEWS

News No. PE0-GE-060003

Date: Mar., 17., 2006

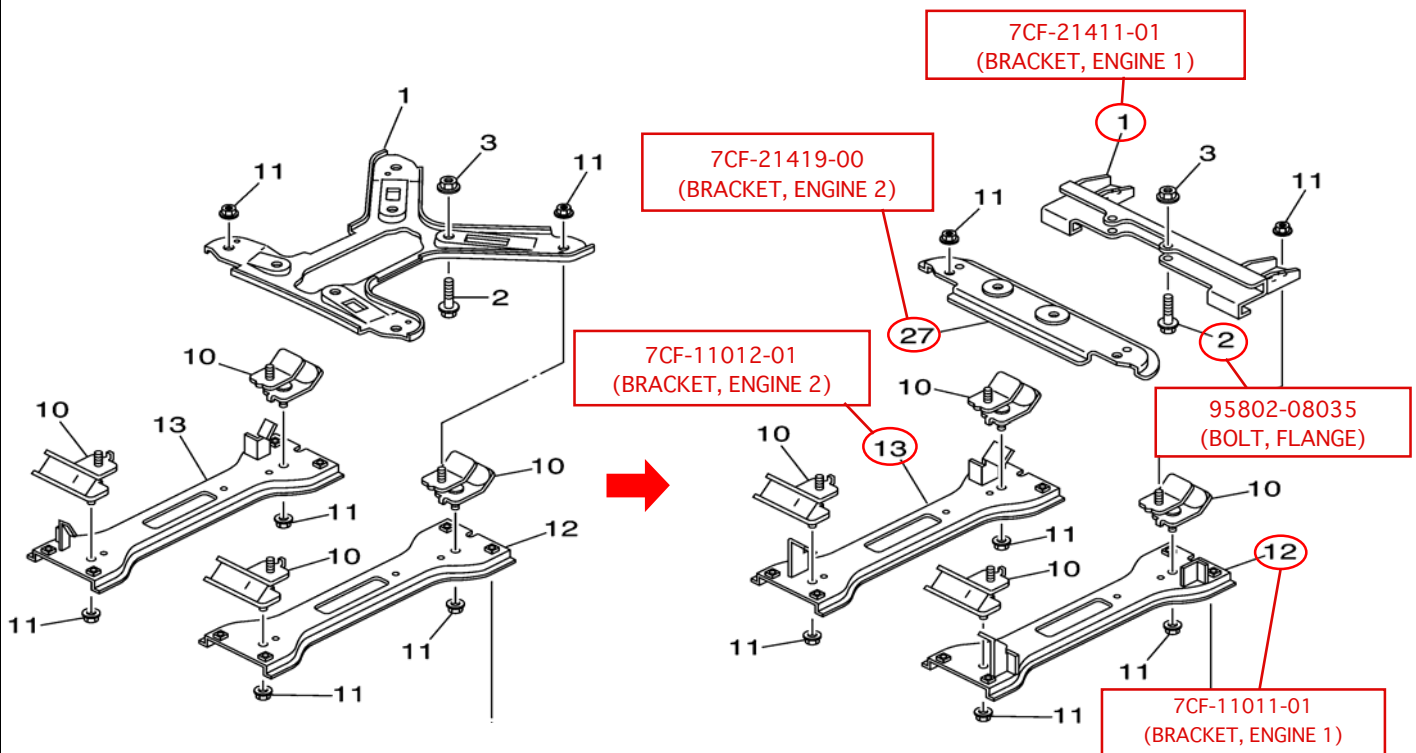
Signature: K. Otsuka

| | |
|---------------|--|
| Model | EF2400iS(7CF2, 7CF3) |
| Subject | PARTS CATALOGUE MODIFICATIONS |
| CATALOGUE NO. | 1D7CF-110E1, 1D7CF-171E1, 1D7CF-300E1, 1D7CF-700E1 |

Revised parts catalogue will be issued by PDF and be uploaded to YPEC within one month.
(YPEC=Yamaha Parts Electrical Catalogue = Website parts catalogue)

2. ILLUSTRATION CORRECTION

FIG.9 FRAME (1D7CF-110E1, 1D7CF-300E1, 1D7CF-700E1)



Thank you very much for your cooperation.

Parts
Manager
Check

Service
Manager
Check

Parts
Manager
File

YAMAHA MOTOR CO.,LTD.
2500 Shingai Iwata Shizuoka 438-8501 Japan
Technical Publication Dept.

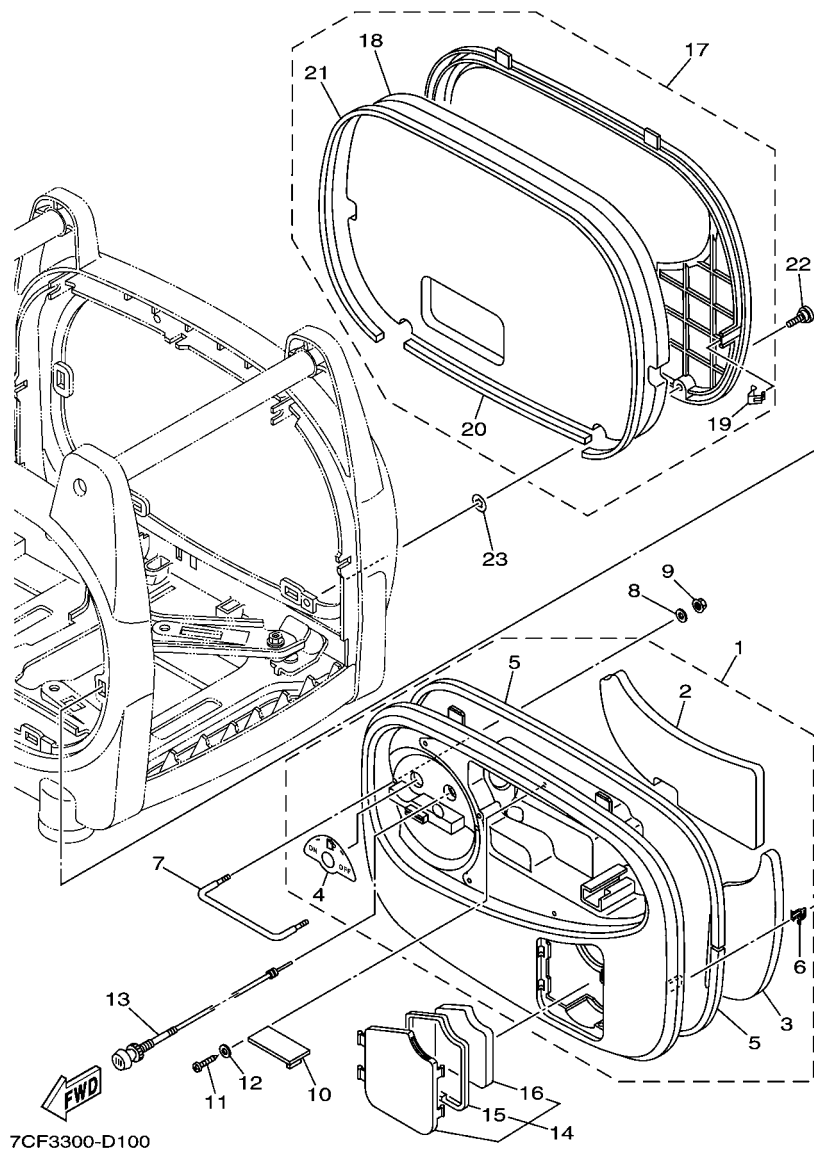
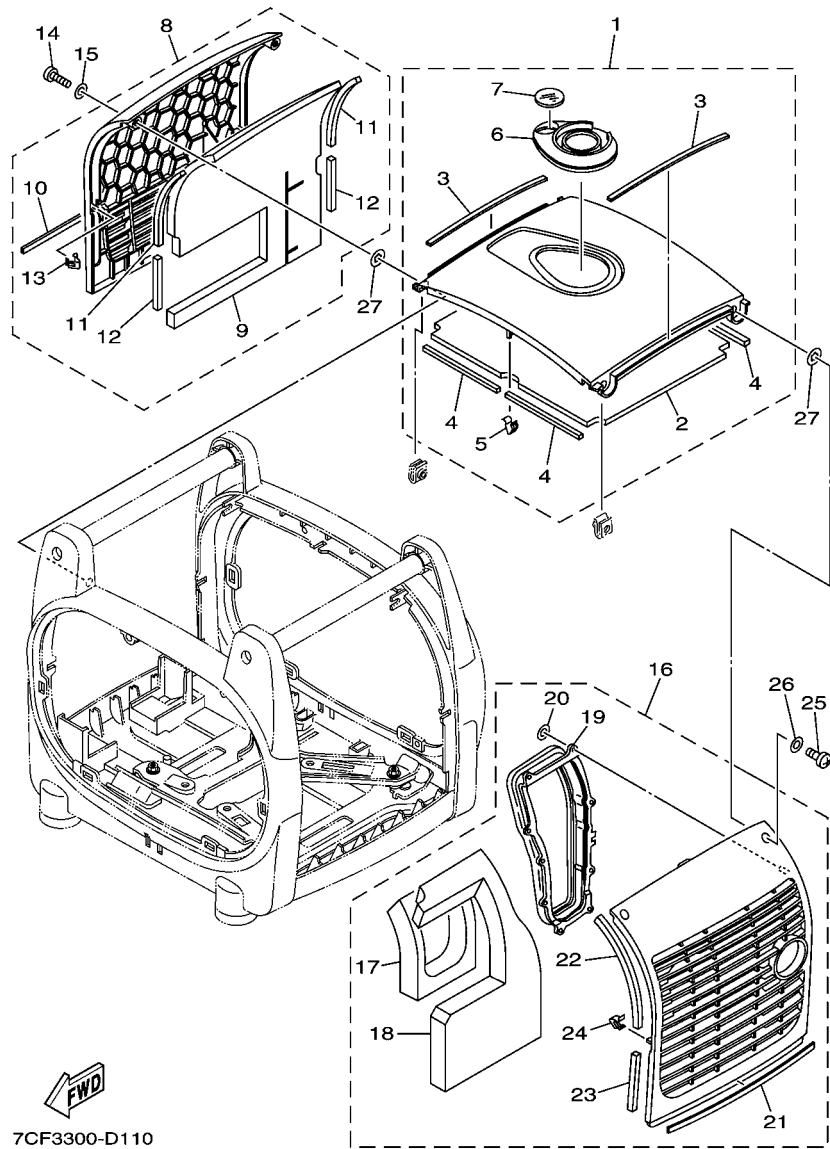


FIG. 10 FRAME 2

| REF. NO. | PART NO. | DESCRIPTION | 7CF3 | | | | REMARKS |
|----------|--------------|---------------------|------|--|--|--|----------------------|
| 1 | 7CF-228A0-00 | COVER ASSY 1 | 1 | | | | |
| 2 | 7CF-22873-00 | .SEAL 1 | 1 | | | | |
| 3 | 7CF-22899-00 | .SEAL 15 | 1 | | | | |
| 4 | 7CF-24151-00 | .INDICATOR, FUEL | 1 | | | | |
| 5 | 7CF-23383-00 | .COVER, DUST SEAL 1 | 2 | | | | |
| 6 | 90468-04001 | .CLIP | 4 | | | | |
| 7 | 7CF-22825-00 | PROTECTOR 1 | 1 | | | | |
| 8 | 92902-04200 | WASHER, PLAIN | 2 | | | | |
| 9 | 95702-04500 | NUT, FLANGE | 2 | | | | |
| 10 | 7CF-85680-00 | SPEED LIMITER ASSY | 1 | | | | |
| 11 | 97702-30512 | SCREW, TAPPING | 1 | | | | |
| 12 | 90201-03013 | WASHER, PLATE | 1 | | | | |
| 13 | 7CF-26331-00 | CABLE, STARTER 1 | 1 | | | | |
| 14 | 7CF-228F0-00 | COVER ASSY 6 | 1 | | | | |
| 15 | 7CF-22897-00 | .SEAL 14 | 1 | | | | |
| 16 | 7CF-2281A-00 | .SEAL, RUBBER 1 | 1 | | | | |
| 17 | 7CF-228B0-00 | COVER ASSY 2 | 1 | | | | |
| 18 | 7CF-22874-00 | .SEAL 2 | 1 | | | | |
| 19 | 90468-04001 | .CLIP | 2 | | | | |
| 20 | 7CF-2281E-00 | .SEAL, RUBBER 2 | 1 | | | | |
| 21 | 7CF-2281F-00 | .SEAL, RUBBER 3 | 1 | | | | |
| 22 | 7CF-23119-00 | PLUG, DRAIN | 2 | | | | |
| 23 | 90209-04011 | WASHER | 2 | | | | 301194 AND FOLLOWING |



7CF3300-D110

FIG. 11 FRAME 3

| REF. NO. | PART NO. | DESCRIPTION | 7CF3 | | | | REMARKS |
|----------|--------------|---------------------|------|--|--|--|----------------------|
| 1 | 7CF-228C0-00 | COVER ASSY 3 | 1 | | | | |
| 2 | 7CF-22875-00 | .SEAL 3 | 1 | | | | |
| 3 | 7CF-22876-00 | .SEAL 4 | 2 | | | | |
| 4 | 7CF-23384-00 | .COVER, DUST SEAL 2 | 4 | | | | |
| 5 | 90468-04001 | .CLIP | 2 | | | | |
| 6 | 7CF-2414G-00 | .SEAL | 1 | | | | |
| 7 | 7WL-21764-00 | .LENS, LEVEL GAUGE | 1 | | | | |
| 8 | 7CF-228D0-00 | COVER ASSY 4 | 1 | | | | |
| 9 | 7CF-22877-00 | .SEAL, 5 | 1 | | | | |
| 10 | 7CF-2281G-00 | .SEAL, RUBBER 4 | 1 | | | | |
| 11 | 7CF-2338G-00 | .COVER, SEAL 3 | 2 | | | | |
| 12 | 7CF-2338H-00 | .COVER, SEAL 4 | 2 | | | | |
| 13 | 90468-04001 | .CLIP | 2 | | | | |
| 14 | 98502-05016 | SCREW, PAN HEAD | 2 | | | | |
| 15 | 92902-05600 | WASHER, PLATE | 2 | | | | |
| 16 | 7CF-228E0-00 | COVER ASSY 5 | 1 | | | | |
| 17 | 7CF-22878-00 | .SEAL 6 | 1 | | | | |
| 18 | 7CF-22879-00 | .SEAL, 7 | 1 | | | | |
| 19 | 7CF-2286A-00 | .DUCT 1 | 1 | | | | |
| 20 | 90183-05004 | .NUT, SPRING | 7 | | | | |
| 21 | 7CF-2281G-00 | .SEAL, RUBBER 4 | 1 | | | | |
| 22 | 7CF-2338G-00 | .COVER, SEAL 3 | 2 | | | | |
| 23 | 7CF-2338H-00 | .COVER, SEAL 4 | 2 | | | | |
| 24 | 90468-04001 | .CLIP | 2 | | | | |
| 25 | 98502-05016 | SCREW, PAN HEAD | 2 | | | | |
| 26 | 92902-05600 | WASHER, PLATE | 2 | | | | |
| 27 | 90209-04011 | WASHER | 4 | | | | 301194 AND FOLLOWING |

B13

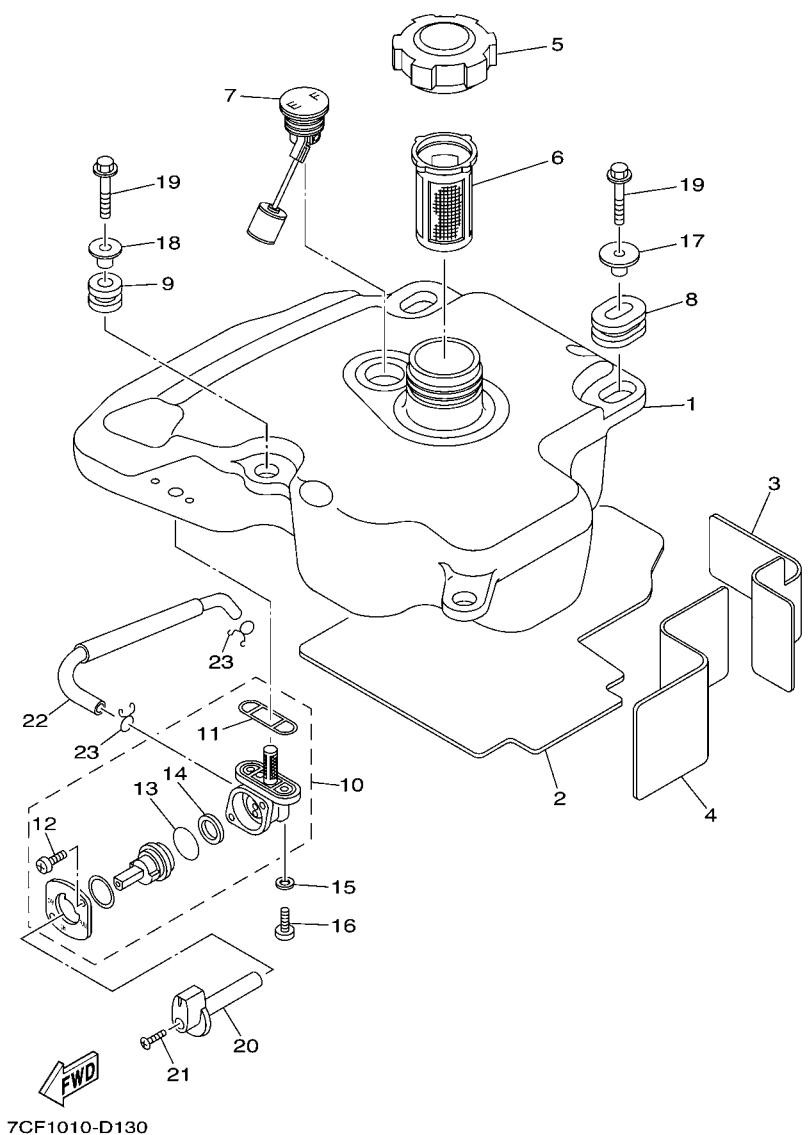
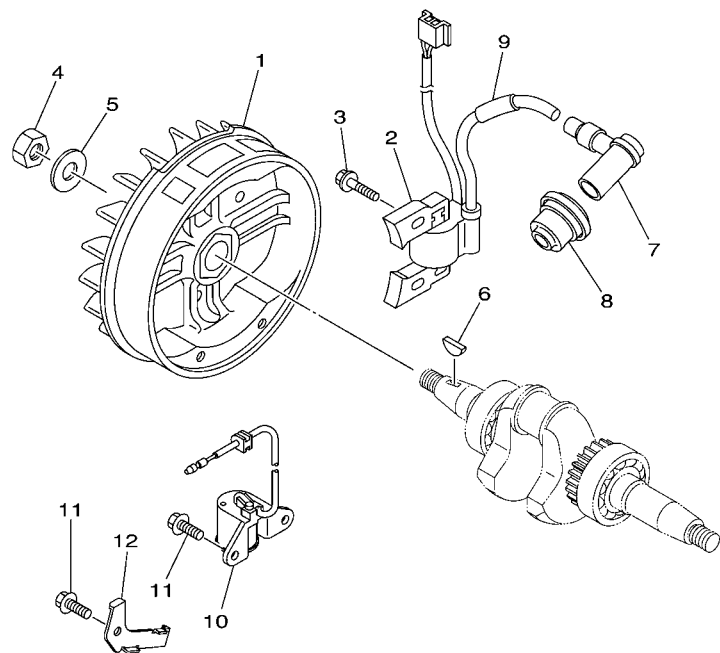


FIG. 12 FUEL TANK

| REF. NO. | PART NO. | DESCRIPTION | 7CF3 | | | | REMARKS |
|----------|--------------|-----------------------|------|--|--|--|---------|
| 1 | 7CF-24110-00 | FUEL TANK COMP. | 1 | | | | |
| 2 | 7CF-24141-00 | PROTECTOR, FUEL TANK | 1 | | | | |
| 3 | 7CF-24129-00 | COVER, SIDE 1 | 1 | | | | |
| 4 | 7CF-24139-00 | COVER, SIDE 2 | 1 | | | | |
| 5 | JH2-24610-00 | CAP ASSY | 1 | | | | |
| 6 | 7VV-24167-00 | STRAINER | 1 | | | | |
| 7 | 7F7-85710-02 | FUEL LEVEL GAUGE ASSY | 1 | | | | |
| 8 | 90480-01400 | GROMMET | 2 | | | | |
| 9 | 90480-18290 | GROMMET | 2 | | | | |
| 10 | 7CF-24500-00 | FUEL COCK ASSY 1 | 1 | | | | |
| 11 | 7CF-24512-00 | .GASKET | 1 | | | | |
| 12 | 98502-03008 | .SCREW, PAN HEAD | 2 | | | | |
| 13 | 3AJ-24534-01 | .SEAL, COCK | 1 | | | | |
| 14 | 3AC-24523-00 | .VALVE PACKING | 1 | | | | |
| 15 | 90202-05193 | WASHER, PLATE | 2 | | | | |
| 16 | 90149-06011 | SCREW | 2 | | | | |
| 17 | 90387-075H4 | COLLAR | 2 | | | | |
| 18 | 90387-066J1 | COLLAR | 2 | | | | |
| 19 | 95802-06030 | BOLT, FLANGE | 4 | | | | |
| 20 | 7CF-24524-00 | LEVER, COCK | 1 | | | | |
| 21 | 98702-04020 | SCREW, FLAT HEAD | 1 | | | | |
| 22 | 7CF-24311-00 | PIPE, FUEL 1 | 1 | | | | |
| 23 | 90467-09006 | CLIP | 2 | | | | |

FIG. 13 MAGNETO



| REF. NO. | PART NO. | DESCRIPTION | 7CF3 | | | | REMARKS |
|----------|--------------|-------------------------|------|--|--|--|---------|
| 1 | 7CF-H5650-00 | ROTOR ASSY | 1 | | | | |
| 2 | 7CF-H5640-00 | T.C.I. UNIT ASSY | 1 | | | | |
| 3 | 95827-06020 | BOLT, FLANGE | 2 | | | | |
| 4 | 90170-14800 | NUT | 1 | | | | |
| 5 | 92907-14200 | WASHER | 1 | | | | |
| 6 | 90280-04801 | KEY, WOODRUFF | 1 | | | | |
| 7 | 7CN-H2370-00 | PLUG CAP ASSY | 1 | | | | |
| 8 | 7CP-H2372-00 | SEAL, PLUG CAP | 1 | | | | |
| 9 | 7CP-H2373-00 | SEAL, HIGH TENSION CORD | 1 | | | | |
| 10 | 7CN-H5720-00 | OIL LEVEL GAUGE ASSY | 1 | | | | |
| 11 | 95827-06012 | BOLT, FLANGE | 3 | | | | |
| 12 | 7CN-H5724-00 | CLAMP | 1 | | | | |
| | | | | | | | |
| | | | | | | | |
| | | | | | | | |
| | | | | | | | |

FWD
7CF1010-D140

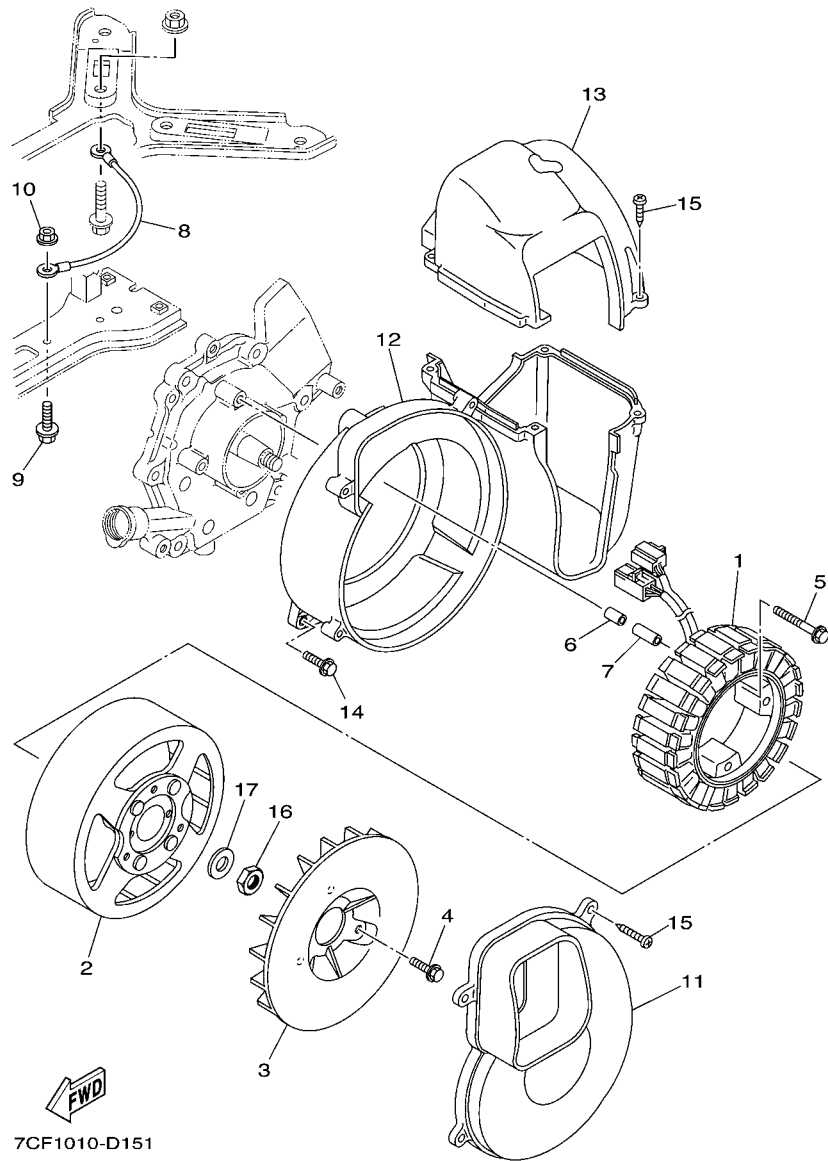


FIG. 14 GENERATOR

| REF. NO. | PART NO. | DESCRIPTION | 7CF3 | | | | REMARKS |
|----------|--------------|--------------------|------|--|--|--|---------|
| 1 | 7CF-87150-20 | STATOR ASSY | 1 | | | | |
| 2 | 7CF-87160-00 | ROTOR ASSY | 1 | | | | |
| 3 | 7WL-87172-00 | FAN, GENERATOR | 1 | | | | |
| 4 | 95802-06016 | BOLT, FLANGE | 3 | | | | |
| 5 | 95822-06045 | BOLT, FLANGE | 4 | | | | |
| 6 | 99530-08012 | PIN, DOWEL | 2 | | | | |
| 7 | 7VU-8719F-01 | TUBE 7 | 2 | | | | |
| 8 | 7VU-87139-00 | LEAD WIRE ASSY 2 | 1 | | | | |
| 9 | 95802-06010 | BOLT, FLANGE | 1 | | | | |
| 10 | 95702-06500 | NUT, FLANGE | 1 | | | | |
| 11 | 7CF-87174-00 | COVER, REAR END | 1 | | | | |
| 12 | 7CF-14627-00 | COVER, EXHAUST | 1 | | | | |
| 13 | 7CF-14637-00 | EXHAUST COVER ASSY | 1 | | | | |
| 14 | 95802-06020 | BOLT, FLANGE | 3 | | | | |
| 15 | 97702-50516 | SCREW, TAPPING | 8 | | | | |
| 16 | 90170-14403 | NUT | 1 | | | | |
| 17 | 92902-14200 | WASHER | 1 | | | | |
| | | | | | | | |
| | | | | | | | |
| | | | | | | | |

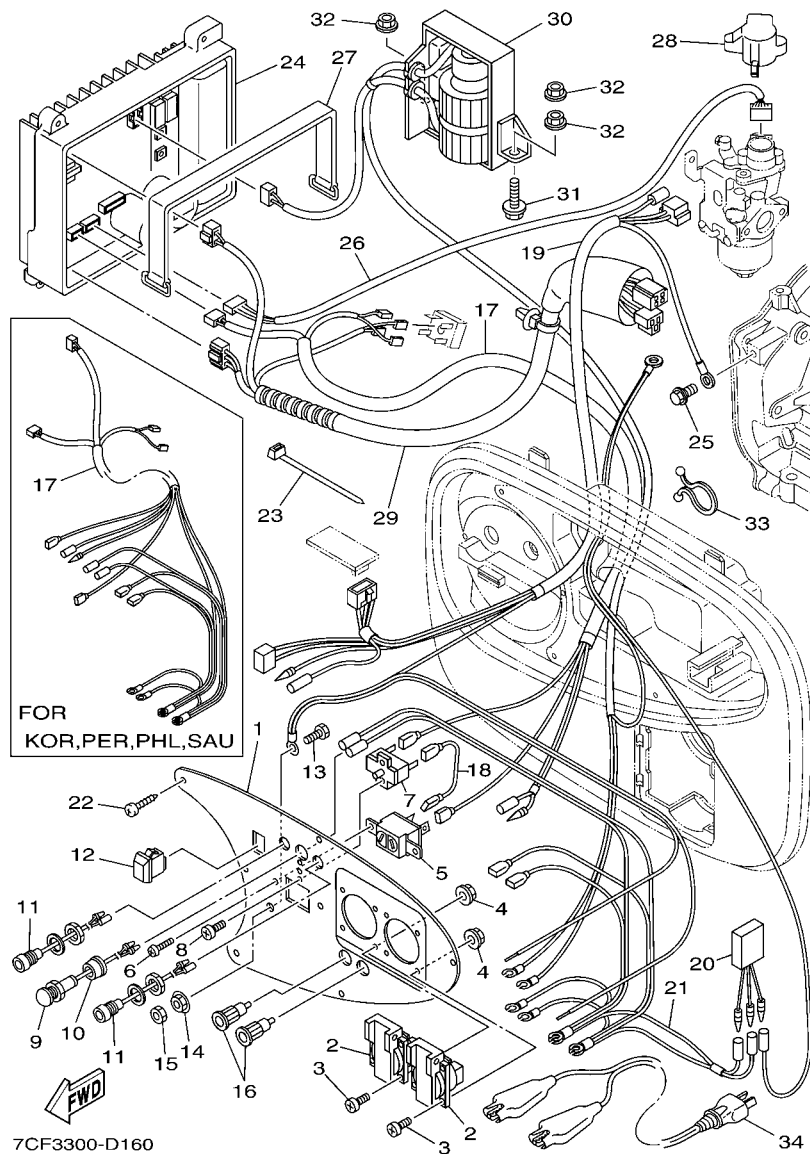
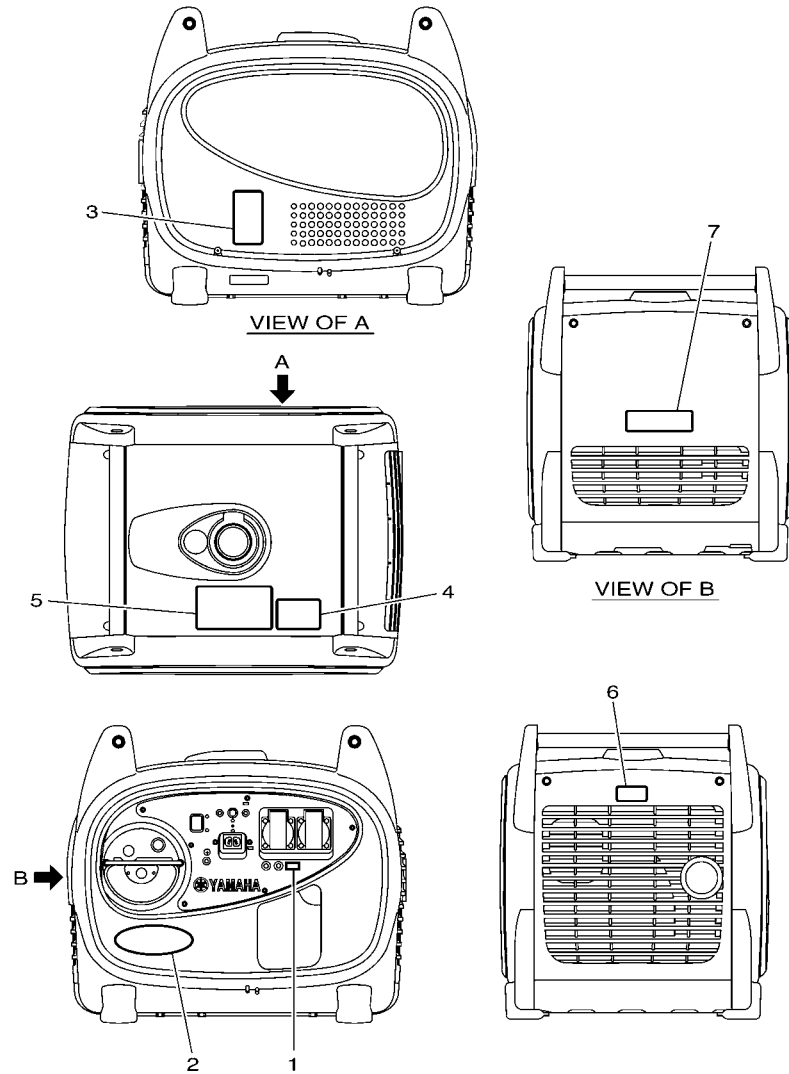


FIG. 15 CONTROL BOX

| REF. NO. | PART NO. | DESCRIPTION | 7CF3 | | | | REMARKS |
|----------|--------------|-------------------------------|------|--|--|--|-----------------|
| 1 | 7CF-87249-30 | PLATE | 1 | | | | |
| 2 | 7H7-87221-80 | RECEPTACLE 1 (ABL 6995) | 2 | | | | |
| 3 | 90151-03032 | SCREW, COUNTERSUNK | 8 | | | | |
| 4 | 90179-03478 | NUT | 8 | | | | |
| 5 | 7LG-87239-00 | RECEPTACLE COMP. (DC 24V-12A) | 1 | | | | NIPPON LOCK |
| 6 | 98502-04008 | SCREW, PAN HEAD | 2 | | | | |
| 7 | 7VV-82181-00 | CIRCUIT BREAKER COMP. (8A) | 1 | | | | |
| 8 | 98502-03008 | SCREW, PAN HEAD | 2 | | | | |
| 9 | 7CH-83530-G0 | PILOT LIGHT ASSY | 1 | | | | UR |
| | 7NJ-83530-G0 | PILOT LIGHT ASSY | 1 | | | | UR |
| 10 | 90480-13012 | GROMMET | 1 | | | | |
| 11 | 7CH-83582-C1 | PILOT LIGHT ASSY | 2 | | | | |
| 12 | 7CG-82550-C0 | ENGINE STOP SWITCH ASSY | 1 | | | | |
| 13 | 97080-05016 | BOLT | 1 | | | | |
| 14 | 95702-05500 | NUT, FLANGE | 1 | | | | |
| 15 | 95380-05700 | NUT | 1 | | | | |
| 16 | 7CF-87231-00 | TERMINAL 1 | 2 | | | | |
| 17 | 7CF-87226-90 | WIRE HARNESS ASSY | 1 | | | | EUR |
| | 7CF-87226-K0 | WIRE HARNESS ASSY | 1 | | | | KOR,PER,PHL,SAU |
| 18 | 7WL-8722Y-00 | WIRE, LEAD 4 | 1 | | | | |
| 19 | 7CF-8722X-90 | WIRE, LEAD 5 | 1 | | | | |
| 20 | 7NJ-88188-00 | FILTER, NOISE | 1 | | | | |
| 21 | 7CF-8722W-90 | WIRE, LEAD 6 | 1 | | | | |
| 22 | 97702-40516 | SCREW, TAPPING | 6 | | | | |
| 23 | 90465-12356 | CLAMP | 1 | | | | |
| 24 | 7CF-8A210-20 | CONTROL UNIT | 1 | | | | EUR |
| | 7CF-8A210-60 | CONTROL UNIT | 1 | | | | KOR,PER,PHL,SAU |

FIG. 16 LABELS



7CF3300-D170

| REF. NO. | PART NO. | DESCRIPTION | 7CF3 | | | | REMARKS |
|----------|--------------|-------------------------------|------|--|--|--|---------------------------|
| 1 | 7CF-84306-30 | LABEL, CAUTION | 1 | | | | |
| 2 | 7CF-24161-10 | EMBLEM 1 (EF2400IS) | 1 | | | | |
| 3 | 7CF-24164-30 | EMBLEM 4 (OIL) | 1 | | | | EUR, 301193 AND BELOW |
| | 7CF-2415B-08 | PLATE, SPEC. EUR | 1 | | | | EUR, 301194 AND FOLLOWING |
| | 7CF-24164-A0 | EMBLEM 4 (OIL) | 1 | | | | KOR,PER,PHL,SAU |
| 4 | 7VV-24235-00 | MARK 1 (CE MARK) | 1 | | | | 301193 AND BELOW |
| | 7VV-24235-02 | MARK 1 (CE, LWA MARK) | 1 | | | | 301194 AND FOLLOWING |
| 5 | 7CF-24162-30 | EMBLEM 2 (STOP THE ENGINE...) | 1 | | | | |
| 6 | 7VV-28176-30 | LABEL, CAUTION (WARNING) | 1 | | | | |
| 7 | 7CF-8432R-00 | LABEL (PARALLEL OPERATION) | 1 | | | | |
| | | | | | | | |
| | | | | | | | |
| | | | | | | | |
| | | | | | | | |

NUMERICAL INDEX

| PART NO. | GRID NO. | PART NO. | GRID NO. | PART NO. | GRID NO. | PART NO. | GRID NO. | PART NO. | GRID NO. | PART NO. | GRID NO. |
|-----------------|----------|--------------|----------|--------------|----------|--------------|----------|--------------|----------|-------------|----------|
| 7CF-11011-00 | B - 11 | 7CF-2281E-00 | B - 12 | 7CF-24512-00 | B - 14 | 7CN-E1400-A0 | B - 3 | 7CP-H2373-00 | B - 15 | 95702-04500 | B - 12 |
| 7CF-11012-00 | B - 11 | 7CF-2281F-00 | B - 12 | 3AC-24523-00 | B - 14 | 7CN-E1610-00 | B - 3 | 7CF-H5640-00 | B - 15 | 95702-05500 | C - 3 |
| 7LV-14118-00 | B - 7 | 7CF-2281G-00 | B - 13 | 7CF-24524-00 | B - 14 | 7CN-E1610-10 | B - 3 | 7CF-H5650-00 | B - 15 | 95702-06500 | C - 2 |
| 22F-14139-00 | B - 7 | 7CF-22825-00 | B - 12 | 3AJ-24534-01 | B - 14 | 7CN-E1610-20 | B - 3 | 7CN-H5720-00 | B - 15 | | C - 4 |
| 620-14142-35-A0 | B - 7 | 7CF-22837-00 | B - 11 | JH2-24610-00 | B - 14 | 7CN-E1631-00 | B - 3 | 7CN-H5724-00 | B - 15 | 95702-08500 | B - 11 |
| 7LG-14150-11 | B - 7 | 7CF-2283L-00 | B - 11 | 7CF-26331-00 | B - 12 | 7CN-E1633-00 | B - 3 | 7CP-H6240-00 | B - 7 | 95707-06500 | B - 6 |
| 7EG-14159-00 | B - 7 | 7WL-22857-00 | B - 11 | 7TA-28100-00 | B - 11 | 7CN-E1635-00 | B - 3 | 90116-06807 | B - 2 | 95802-06010 | C - 2 |
| 7TD-14162-00 | B - 7 | 7CF-22869-00 | B - 11 | 7VV-28176-30 | C - 5 | 7CN-E1636-00 | B - 3 | 90149-06011 | B - 14 | 95802-06012 | B - 11 |
| 7TD-14181-00 | B - 7 | 7CF-2286A-00 | B - 13 | 7CF-82131-00 | C - 4 | 7CN-E1650-00 | B - 3 | 90151-03032 | C - 3 | | C - 4 |
| 7G0-14184-00 | B - 7 | 7CF-22873-00 | B - 12 | 7VV-82181-00 | C - 3 | 7CN-E1654-00 | B - 3 | 90153-05024 | B - 9 | 95802-06016 | C - 2 |
| 7LG-14185-00 | B - 7 | 7CF-22874-00 | B - 12 | 7CF-22879-00 | C - 4 | 7CN-E2111-00 | B - 4 | 90154-06823 | B - 6 | 95802-06020 | C - 2 |
| 22F-14186-00 | B - 7 | 7CF-22875-00 | B - 13 | 7CG-82550-C0 | C - 3 | 7CN-E2117-00 | B - 4 | 90170-06424 | B - 9 | 95802-06030 | B - 11 |
| 7E1-14191-00 | B - 7 | 7CF-22876-00 | B - 13 | 7CH-83530-G0 | C - 3 | 7CN-E2118-00 | B - 4 | 90170-14403 | C - 2 | | B - 14 |
| 1V3-14196-00 | B - 8 | 7CF-22877-00 | B - 13 | 7NJ-83530-G0 | C - 3 | 7CN-E2119-00 | B - 4 | 90170-14800 | B - 15 | | C - 4 |
| 7WL-14197-00 | B - 8 | 7CF-22878-00 | B - 13 | 7CH-83582-C1 | C - 3 | 7CN-E2121-00 | B - 4 | 90179-03478 | C - 3 | 95802-08030 | B - 11 |
| 7NJ-14211-00 | B - 7 | 7CF-22879-00 | B - 13 | 7CF-84306-30 | C - 5 | 7CN-E2151-00 | B - 4 | 90183-05004 | B - 13 | 95807-06012 | B - 5 |
| 73A-14212-00 | B - 7 | 7CF-22881-00 | B - 11 | 7CF-8432R-00 | C - 5 | 7CN-E2153-00 | B - 4 | 90183-05076 | B - 11 | 95807-06016 | B - 5 |
| 7RH-14216-00 | B - 7 | 7VU-22894-00 | B - 11 | 7CF-85680-00 | B - 12 | 7CN-E2154-00 | B - 4 | 90183-060A3 | B - 11 | | B - 6 |
| 7G0-14227-00 | B - 7 | 7CF-22895-00 | B - 11 | 7F7-85710-02 | B - 14 | 7CN-E2155-00 | B - 4 | 90201-03013 | B - 12 | 95822-06012 | B - 9 |
| 7X9-14239-00 | B - 7 | 7CF-22897-00 | B - 12 | 7VU-87105-00 | B - 11 | 7CN-E2157-00 | B - 4 | 90202-05193 | B - 14 | 95822-06045 | C - 2 |
| 1HX-1423E-34-A0 | B - 7 | 7CF-22899-00 | B - 12 | 7CF-8711E-00 | B - 11 | 7CN-E2158-00 | B - 4 | 90280-04801 | B - 15 | 95827-06012 | B - 2 |
| 7VU-14293-00 | C - 4 | 7CF-228A0-00 | B - 12 | 7VU-87139-00 | C - 2 | 7CN-E2165-00 | B - 4 | 90387-066J1 | B - 14 | | B - 15 |
| 7RH-14486-00 | B - 7 | 7CF-228B0-00 | B - 12 | 7CF-87150-20 | C - 2 | 7CN-E2170-00 | B - 4 | 90387-075H4 | B - 14 | 95827-06020 | B - 15 |
| JAG-14613-00 | B - 9 | 7CF-228C0-00 | B - 13 | 7CF-87160-00 | C - 2 | 7CN-E2287-00 | B - 4 | 90430-10801 | B - 10 | 95827-08035 | B - 10 |
| 7CF-14627-00 | C - 2 | 7CF-228D0-00 | B - 13 | 7WL-87172-00 | C - 2 | 7CN-E2610-20 | B - 5 | 90445-13800 | B - 2 | 95827-08045 | B - 2 |
| 7CF-14637-00 | C - 2 | 7CF-228E0-00 | B - 13 | 7CF-87174-00 | C - 2 | 7CN-E2651-00 | B - 5 | 90464-23041 | C - 4 | 95827-08065 | B - 2 |
| 7CF-14711-00 | B - 9 | 7CF-228F0-00 | B - 12 | 7VU-8719F-01 | C - 2 | 7CP-E2658-00 | B - 5 | 90465-12356 | C - 3 | 97080-05016 | C - 3 |
| 7LL-14786-00 | B - 9 | 7CF-23119-00 | B - 12 | 7LG-87209-00 | C - 4 | 7CP-E2659-00 | B - 5 | 90467-09006 | B - 14 | 97702-30512 | B - 12 |
| 7NJ-14788-00 | B - 9 | 7CF-23383-00 | B - 12 | 7H7-87221-80 | C - 3 | 7CN-E3557-00 | B - 6 | 90468-04001 | B - 12 | 97702-40516 | C - 3 |
| 7NJ-14799-01 | B - 9 | 7CF-23384-00 | B - 13 | 7CF-87226-90 | C - 3 | 7CN-E3567-00 | B - 6 | | B - 13 | 97702-50014 | B - 11 |
| 7NJ-1479E-00 | B - 9 | 7CF-2338G-00 | B - 13 | 7CF-87226-K0 | C - 3 | 7CN-E3596-00 | B - 6 | 90480-01400 | B - 14 | 97702-50516 | C - 2 |
| 1WG-14922-00 | B - 7 | 7CF-2338H-00 | B - 13 | 7CF-8722J-00 | C - 4 | 7CF-E4101-00 | B - 7 | 90480-13012 | C - 3 | 98502-03006 | B - 7 |
| 14X-14937-00 | B - 8 | 7CF-24110-00 | B - 14 | 7CF-8722W-90 | C - 3 | 7CN-E4411-00 | B - 6 | 90480-18290 | B - 14 | 98502-03008 | B - 14 |
| 7NN-1495F-1B | B - 7 | 7CF-24129-00 | B - 14 | 7CF-8722X-90 | C - 3 | 7CN-E4412-00 | B - 6 | 90501-20800 | B - 4 | | C - 3 |
| 7CP-15711-00 | B - 5 | 7CF-24139-00 | B - 14 | 7WL-8722Y-00 | C - 3 | 7CN-E4451-00 | B - 6 | 92902-04200 | B - 12 | 98502-04008 | C - 3 |
| 7CN-15713-00 | B - 5 | 7CF-24141-00 | B - 14 | 7CF-87231-00 | C - 3 | 7CN-E4468-01 | B - 6 | 92902-05600 | B - 13 | 98502-05014 | B - 11 |
| 7CN-15714-00 | B - 5 | 7CF-2414G-00 | B - 13 | 7LG-87239-00 | C - 3 | 7CN-E4477-00 | B - 6 | 92902-14200 | C - 2 | 98502-05016 | B - 13 |
| 7CN-15715-00 | B - 5 | 7CF-24151-00 | B - 12 | 7CF-87249-30 | C - 3 | 7CN-E5111-60 | B - 10 | 92907-14200 | B - 15 | 98502-08012 | B - 11 |
| 7CN-15716-00 | B - 5 | 7CF-24161-10 | C - 5 | 7CF-88188-00 | C - 4 | 7CP-E5315-00 | B - 10 | 92990-05100 | B - 7 | 98507-05008 | B - 7 |
| 7CN-15741-00 | B - 5 | 7CF-24162-30 | C - 5 | 7NJ-88188-00 | C - 3 | 7CN-E5362-20 | B - 10 | 93102-25803 | B - 10 | 98702-04020 | B - 14 |
| 7CN-15743-00 | B - 5 | 7CF-24164-30 | C - 5 | 7CF-8A210-20 | C - 3 | 7CN-E5411-80 | B - 10 | 93210-22805 | B - 10 | 99530-08012 | C - 2 |
| 7CP-15751-00 | B - 5 | 7CF-24164-A0 | C - 5 | 7CF-8A210-60 | C - 3 | 7CN-E5451-00 | B - 10 | 93306-205XE | B - 10 | 99530-08016 | B - 10 |
| 7TD-15755-00 | B - 5 | 7VV-24167-00 | B - 14 | 7CN-E1111-00 | B - 2 | 7CN-E5472-00 | B - 10 | 93450-17828 | B - 3 | 99530-10114 | B - 2 |
| 7CN-15793-00 | B - 5 | 7CF-24191-01 | B - 11 | 7CN-E1160-00 | B - 2 | 7CP-E5494-00 | B - 10 | 94702-00331 | B - 2 | | |
| 7CF-21411-00 | B - 11 | 7VV-24235-00 | C - 5 | 7CN-E1169-00 | B - 2 | 7CP-E5710-00 | B - 5 | 95022-08016 | B - 11 | | |
| 7WL-21764-00 | B - 13 | 7CF-24311-00 | B - 14 | 7CN-E1181-00 | B - 2 | 7CN-F627E-00 | B - 5 | 95027-10016 | B - 10 | | |
| 7CF-22811-00 | B - 11 | 4SV-24453-00 | B - 7 | 7CN-E1191-00 | B - 2 | 7CN-H2370-00 | B - 15 | 95380-05700 | C - 3 | | |
| 7CF-2281A-00 | B - 12 | 7CF-24500-00 | B - 14 | 7CN-E1193-00 | B - 2 | 7CP-H2372-00 | B - 15 | 95607-06615 | B - 2 | | |