



PARTS CATALOGUE

EF13000TE (7UY8) OTHERS



1C7UY-400E1

()

2016/8/18

NEWS NO.	DATE	COMMENT
PE0-GE-100016	Sep.,29,2010	EF12000DE/DEX (7UX2,7UX3),EF13000TE(7UY8) PARTS CATAROGUE CORRECTIONS
PE0-GE-160004	Aug.,9,2016	MOD:FIG.6 FUEL PUMP LIST REVISION

EF13000TE
PARTS CATALOGUE
©2007 by Yamaha Motor Co., Ltd.
1st edition, June 2007
All rights reserved.
Any reprinting or unauthorized use
without the written permission of
Yamaha Motor Co., Ltd.
is expressly prohibited.
Printed in Japan.

FOREWORD

This Parts Catalogue is related to the parts for the model(s) on the cover page. When you are ordering replacement parts, please refer to this Parts Catalogue and quote both part numbers and part names correctly.

1. Modifications or additions which have been made after the issue of the Parts Catalogue will be announced in the Parts News.

It is advisable that you make the necessary corrections to the Parts Catalogue according to the Parts News.

2. Abbreviations

The following abbreviations are used in this Parts Catalogue.

“UR” Use specified parts number.

“UN” Use as many as needed.

“AP” Alternate Parts

“LM” Locally Made (Parts need to be ordered locally)

“F#” Frame No. (Applicable machine No.)

“O/S” Over Size

3. The number of components for assembly

- Parts, which are to be supplied in an assembly, are listed with a dot (.) in front of the part name as shown below.
- The numeral appearing to the right of each component part indicates the quantity of parts for each assembly unit.

PART NO.	DESCRIPTION	Q'TY	REMARKS
2F5-83310-60	FRONT FLASHER LIGHT ASSY	2	
115-83311-60	.BULB (6V-18W)	1	

4. Applicable colours of graphics are represented in the “REMARKS” as shown below.

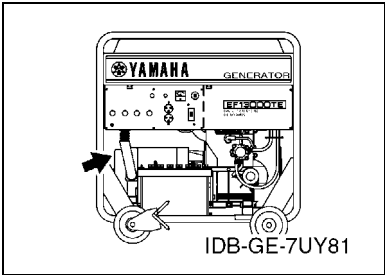
PART NO.	DESCRIPTION	Q'TY	REMARKS
2N4-24110-00-X5	FUEL TANK COMP.	2	MXR
3J1-24240-10	.GRAPHIC, FUEL TANK	1	FOR MXR

5. Note that the illustrations for reference in finding parts numbers are not to be used for assembling. When assembling, please use the applicable service manual.

6. The asterisk (*) before a reference number indicates modified items after the first edition.

FOREWORD

7. Applicable Serial No.
 Frame Serial No.



8. Applicable Colour Code (The (*) mark shows Model colour.)

Abbreviation	Colour Name	Colour Code
FWB	FARAWAY BLUE	00NJ

9. Applicable Starting Serial No.
 *****Serial NO.

Model	Model Code	Destination	Voltage	Serial NO.
EF13000TE	7UY8	OTHERS	220V/380V-50Hz	7UY-804610

CONTENTS

CRANKCASE	1
CRANKSHAFT & PISTON	3
INTAKE & EXHAUST	4
GOVERNOR	6
AIR SHROUD & FAN	8
FUEL PUMP	9
CARBURETOR	11
FRAME	13
AXLE WHEEL & CLAWER	15
FUEL TANK	16
ELECTRICAL	17
STARTING MOTOR	18
GENERATOR	20
CONTROL BOX	22
EQUIPED PARTS TOOLS	24
INDEX	
NUMERICAL INDEX	25

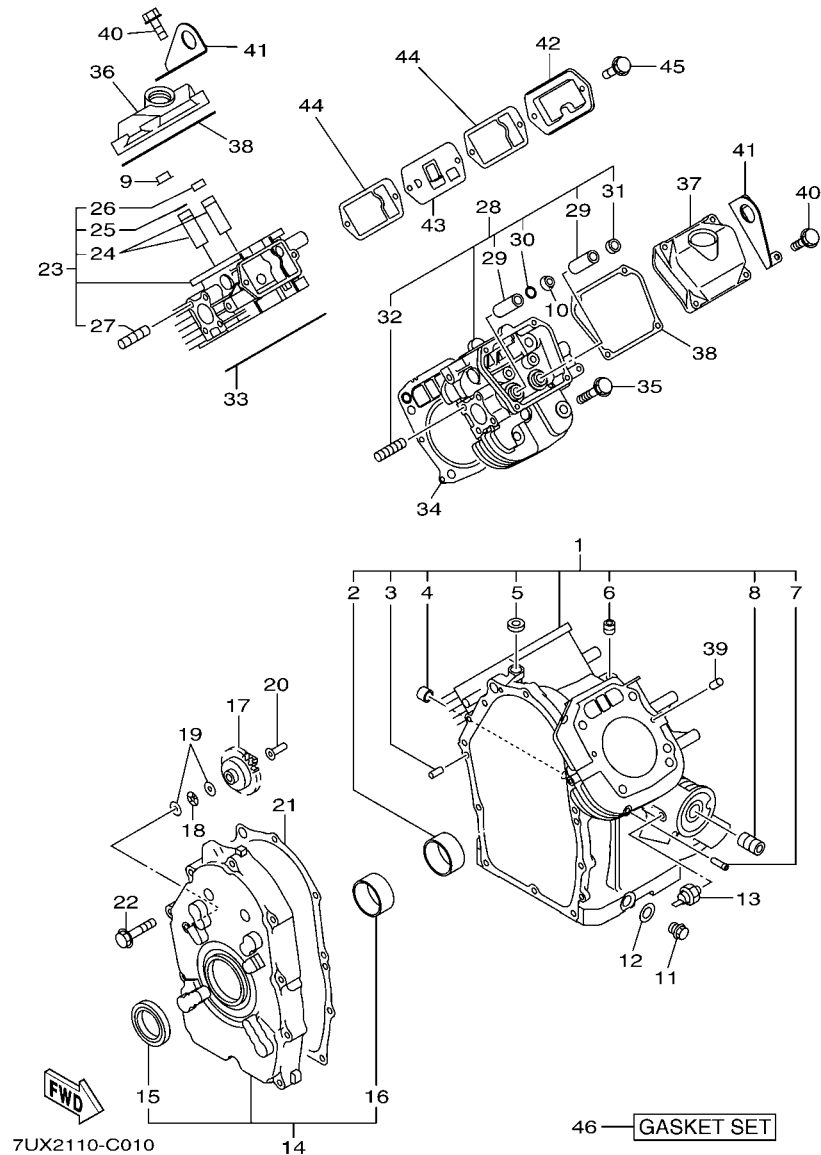


FIG. 1 CRANKCASE

REF. NO.	PART NO.	DESCRIPTION	7UY8				REMARKS
1	YA2-63101-11-01	CRANKCASE, COMPL.	1				
2	YA2-63158-02-03	.MAIN BEARING (STD)	1				
3	YA0-31008-01	.DOWEL PIN	2				7UY-805154->
	YA0-05260-81-80	.DOWEL PIN	2				<-7UY-805153
4	YA2-63556-01-03	.PIPE	2				7UY-805044->
	YA1-42556-01-03	.PIPE	2				<-7UY-805043
5	YA0-44008-00-10	.OIL SEAL	1				
6	YA2-35154-21-03	.BLIND PLUG	1				
7	YA1-59654-01-03	.PIPE (PULSE)	1				
8	YA2-63159-01-03	.UNION	1				
9	YA2-63353-41-03	RETAINER	1				
10	YA2-63353-41-03	RETAINER	1				
11	YA0-40114-00-30	PLUG	2				
12	YA0-21114-00-20	GASKET	2				
13	YA2-48763-01-01	SWITCH OIL PRESSURE	1				
14	YA2-63111-01-41	MAIN BEARING COVER CP	1				7UY-804912->
	YA2-63111-01-21	MAIN BEARING COVER, COMPL.	1				<-7UY-804911
15	YA0-44042-00-30	.OIL SEAL	1				
16	YA2-63158-02-03	.MAIN BEARING (STD)	1				
17	YA2-63450-03-01	GOVERNOR GEAR CP	1				
18	YA2-63462-15-A3	THRUST BEARING	1				
19	YA2-63462-14-A3	WASHER	2				
20	YA2-77419-01-03	GOVERNOR SLEEVE	1				
21	YA2-63160-02-A3	GASKET, MAIN BEARING COVER	1				
22	YA0-11008-02-20	FLANGE BOLT	10				
23	YA2-63132-11-01	CYLINDER HEAD 1, COMPL.	1				
24	YA2-63142-11-03	.VALVE GUIDE	2				

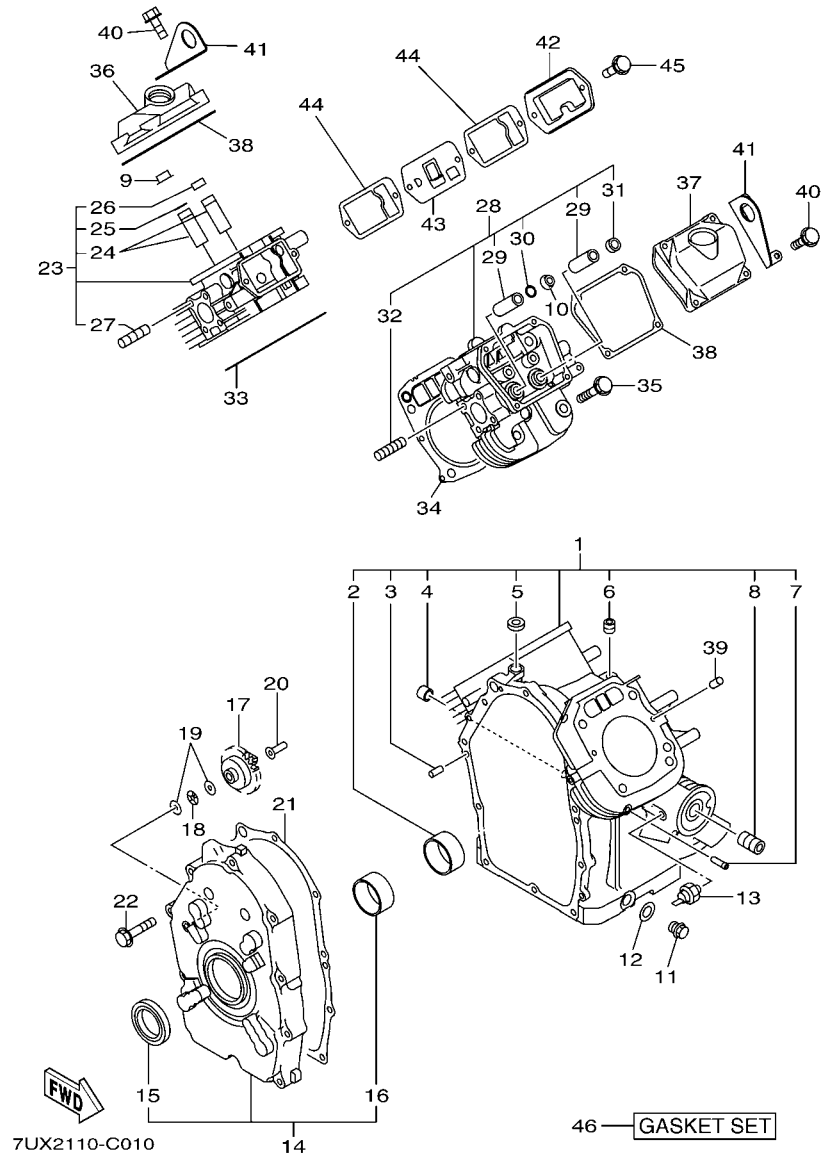


FIG. 1 CRANKCASE

REF. NO.	PART NO.	DESCRIPTION	7UY8				REMARKS
25	YA0-56510-00-50	.CLIP	1				
26	YA1-3207A-A0-50	.SEAL-INTAKE VALVE	1				
27	YA0-10508-02-90	.STUD	4				
28	YA2-63133-11-01	CYLINDER HEAD 2, COMPL.	1				
29	YA2-63142-11-03	.VALVE GUIDE	2				
30	YA0-56510-00-50	.CLIP	1				
31	YA1-3207A-A0-50	.SEAL-INTAKE VALVE	1				
32	YA0-10508-02-90	.STUD	4				
33	YA2-63150-21-21	GASKET 1 (CYL HEAD)	1				7UY-805094->
	YA2-63150-21-11	GASKET 1, CYL. HEAD	1				<-7UY-805093
34	YA2-63151-21-11	GASKET 2 (CYL HEAD)	1				7UY-805094->
	YA2-63151-21-01	GASKET 2, CYL. HEAD	1				<-7UY-805093
35	YA0-11010-00-70	FLANGE BOLT	8				
36	YA2-80155-01-A3	ROCKER COVER, (NO.1)	1				
37	YA2-63155-01-A3	ROCKER COVER, (NO.2)	1				
38	YA2-63161-01-A3	GASKET, ROCKER COVER	2				
39	YA0-31006-00-20	DOWEL PIN	4				
40	YA0-11006-01-01	FLANGE BOLT	8				
41	YA2-80190-01-A3	HOOK	2				
42	YA2-63143-01-03	BREATHER COVER	1				
43	YA2-80144-01-A1	BREATHER PLATE,	1				
44	YA2-63160-06-03	GASKET, BREATHER PLATE	2				
45	YA0-11006-00-30	FLANGE BOLT (M6X14MM)	2				
46	YA2-63990-01-37	GASKET SET	1				

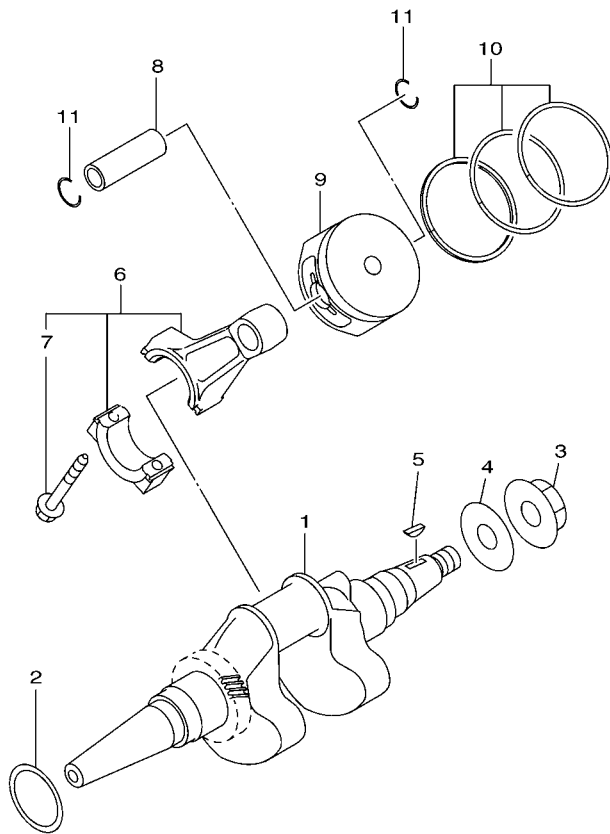


FIG. 2 CRANKSHAFT & PISTON

REF. NO.	PART NO.	DESCRIPTION	7UY8				REMARKS
1	YA2-63212-01-11	CRANK SHAFT CP	1				
2	YA2-63250-12-A3	SPACER	1				UR
	YA2-63250-13-A3	SPACER	1				UR
	YA2-63250-14-A3	SPACER	1				UR
3	YA0-18018-00-10	NUT	1				
4	YA0-03101-80	WASHER	1				7UY-804933->
5	YA0-05320-54-01	WOODRUFF KEY	1				
6	YA2-63226-01-10	CONNECTING ROD AY	2				7UY-804912->
	YA2-63226-01	CONNECTING ROD ASS'Y	2				<-7UY-804911
	YA2-63226-02	CONNECTING ROD AY (0.25MM US)	2				AP
7	YA0-01050-84	.FLANGE BOLT	2				
8	YA2-63233-01-23	PISTON PIN	2				7UY-804824->
	YA2-63233-01-03	PISTON PIN	2				<-7UY-804823
9	YA2-63234-01-03	PISTON (STD)	2				
	YA2-63234-02-03	PISTON (OVER SIZE 0.25MM)	2				AP
	YA2-63234-03-03	PISTON (OVER SIZE 0.50MM)	2				AP
10	YA2-63235-01-17	PISTON RING SET	2				
	YA2-63235-02-17	PISTON RING SET (0.25MM O/S)	2				AP
	YA2-63235-03-17	PISTON RING SET (0.50MM O/S)	2				AP
11	YA0-56521-00-20	CLIP	4				


7UX2110-C020

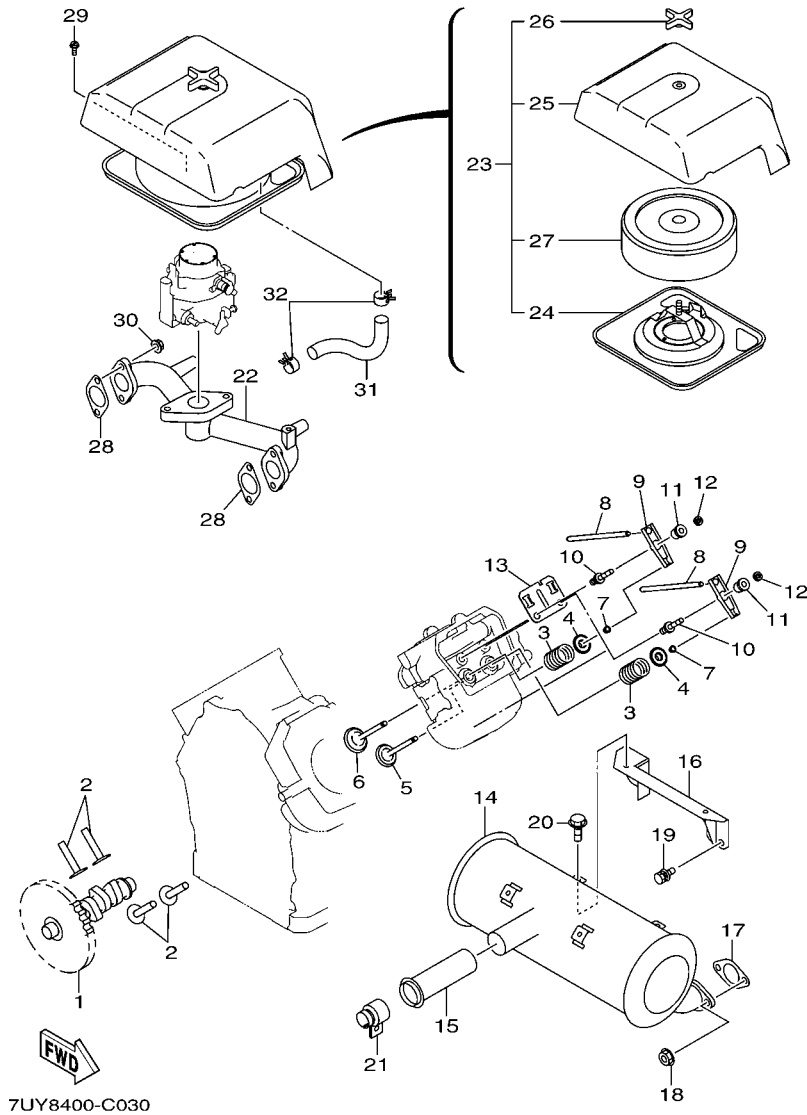
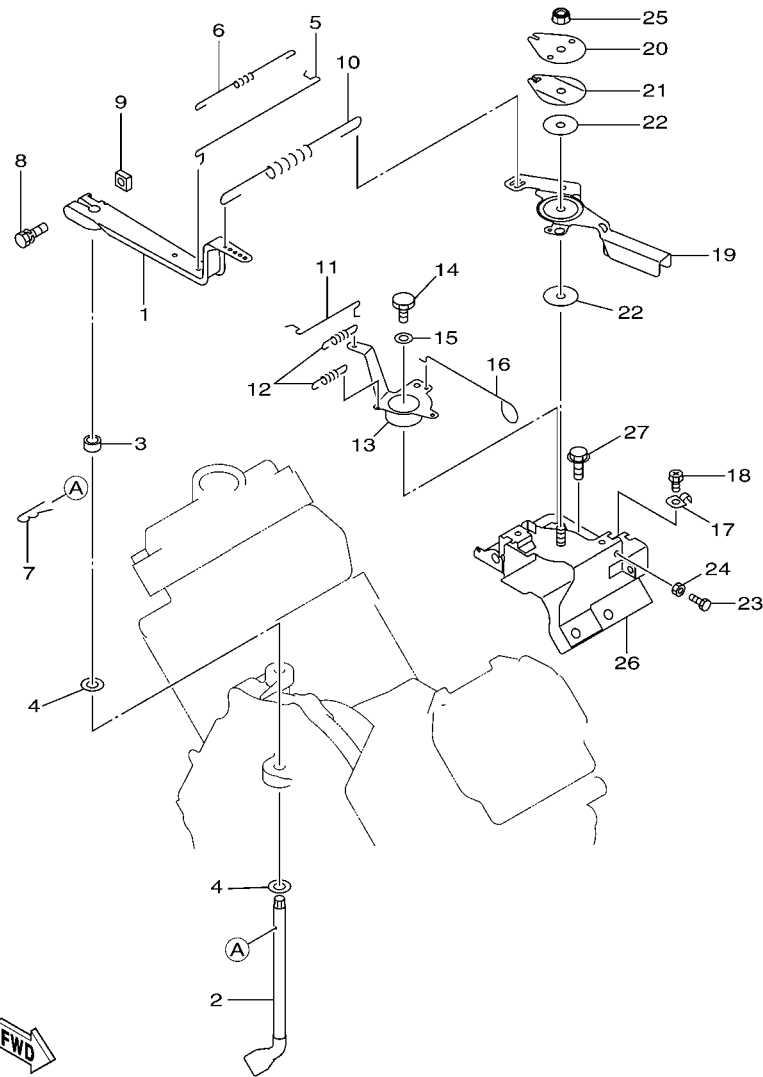


FIG. 3 INTAKE & EXHAUST

REF. NO.	PART NO.	DESCRIPTION	7UY8				REMARKS
1	YA2-80317-01-13	CAMSHAFT	1				
2	YA2-63333-01-A3	TAPPET	4				
3	YA2-46336-11-03	VALVE SPRING	4				
4	YA2-46337-11-13	SPRING RETAINER	4				
5	YA2-63334-01-03	INTAKE VALVE	2				
6	YA2-63335-02-13	EXHAUST VALVE	2				
7	YA2-46355-01-03	COLLET-VALVE	8				
8	YA2-63353-21-B1	PUSH ROD	4				
9	YA2-67361-02-03	ROCKER ARM	4				7UY-805177->
	YA2-67361-01-13	ROCKER ARM	4				<-7UY-805176
10	YA2-61358-01-13	BOLT	4				
11	YA2-67357-01-03	PIVOT	4				
12	YA0-17006-01-10	NUT	4				
13	YA2-63370-01-A3	GUIDE PLATE	2				
14	YA2-63301-02-H1	MUFFLER ASS'Y	1				7UY-804866->
	YA2-63301-02-A1	MUFFLER ASS'Y	1				<-7UY-804865
15	YA2-63373-21-H2	SPARK ARRESTER	1				7UY-804866->
	YA2-63373-21-A2	SPARK ARRESTER	1				<-7UY-804865
16	YA2-63370-01-H1	BRACKET MUFFLER	1				7UY-804866->
	YA2-63370-01-A1	BRACKET MUFFLER	1				<-7UY-804865
17	YA2-70352-01-01	GASKET EXHAUST	2				
18	YA0-18008-00-10	FLANGE NUT	4				
19	YA0-01140-82	BOLT AND WASHER ASS'Y	2				
20	YA0-11006-00-30	FLANGE BOLT (M6X14MM)	2				
21	YA2-63373-02-H3	CLAMP AY	1				7UY-804866->
	YA2-63373-02-A3	CLAMP ASS'Y	1				<-7UY-804865
22	YA2-80330-01-C3	INTAKE MANIFOLD	1				

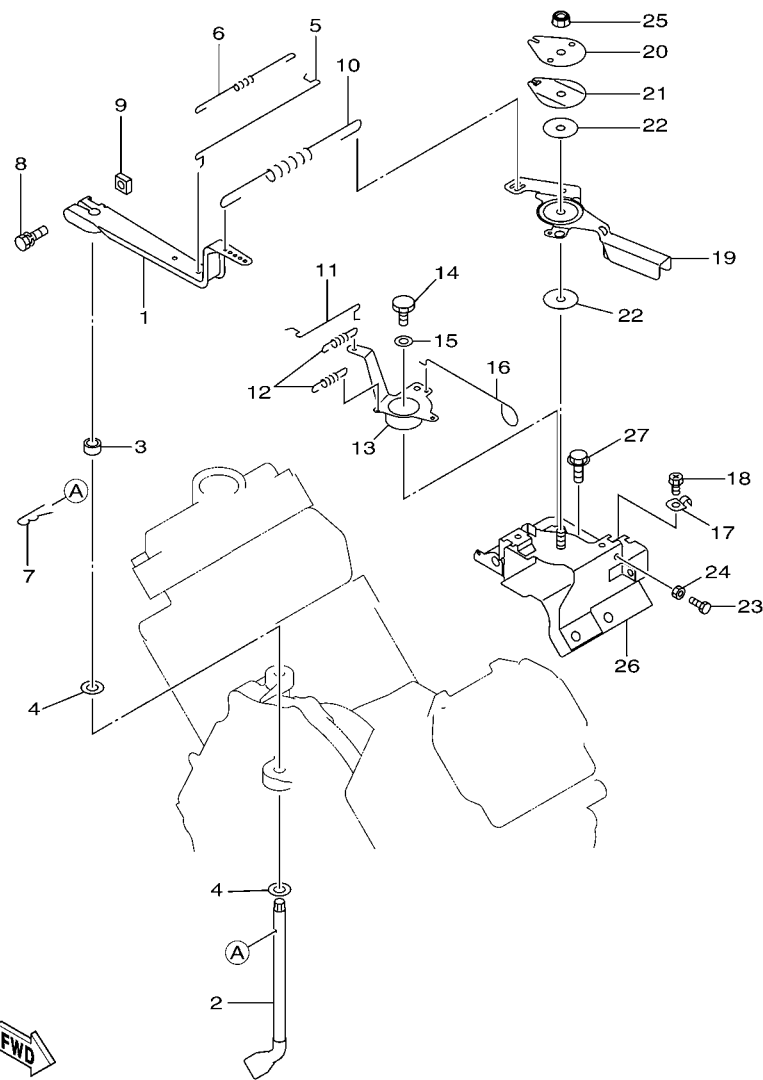


7UY8400-C040

FIG. 4 GOVERNOR

REF. NO.	PART NO.	DESCRIPTION	7UY8				REMARKS
1	YA2-63423-01-B3	GOVERNOR LEVER	1				
2	YA2-63422-01-A3	GOVERNOR SHAFT	1				
3	YAX-23008-01-50	SPACER	1				
4	YA0-03100-80	WASHER	2				
5	YA2-63427-01-A3	GOVERNOR ROD	1				
6	YA2-63428-01-03	ROD SPRING	1				
7	YA0-05110-60-01	SNAP PIN	1				
8	YA0-01140-63	BOLT AND WASHER ASS'Y	1				
9	YA0-18606-00-20	NUT (M6)	1				
10	YA2-63425-08-03	GOVERNOR SPRING FOR 50HZ	1				
11	YA2-63460-11-A3	CHOKE CONTROL ROD	1				
12	YA2-61452-01-03	RETURN SPRING	2				
13	YA2-63460-01-03	CHOKE CONTROL LINK	1				
14	YA2-26431-01-01	LINK PIVOT CP	1				
15	YA0-03221-00	WAVED WASHER	1				
16	YA2-63439-01-A3	CHOKE KNOB	1				
17	YA2-63460-10-03	CLAMP, CHOKE KNOB	1				
18	YA0-15205-00-10	TAPPING SCREW	1				
19	YA2-63433-01-A3	SPEED CONTROL LEVER	1				
20	YA2-27435-01-13	STOP PLATE	1				
21	YA2-63450-02-03	SPRING WASHER	1				
22	YA0-21706-00-30	FRICTION WASHER	2				
23	YA0-11505-00-20	BOLT (M5X35MM)	1				
24	YA0-02270-50	NUT	1				
25	YA0-17606-00-20	SELF LOCK NUT	1				
26	YA2-63450-11-A2	BRACKET UN(SPD CTL)	1				7UY-804972->
	YA2-63450-11-02	BRACKET UNIT, SPEED CONTROL	1				<-7UY-804971

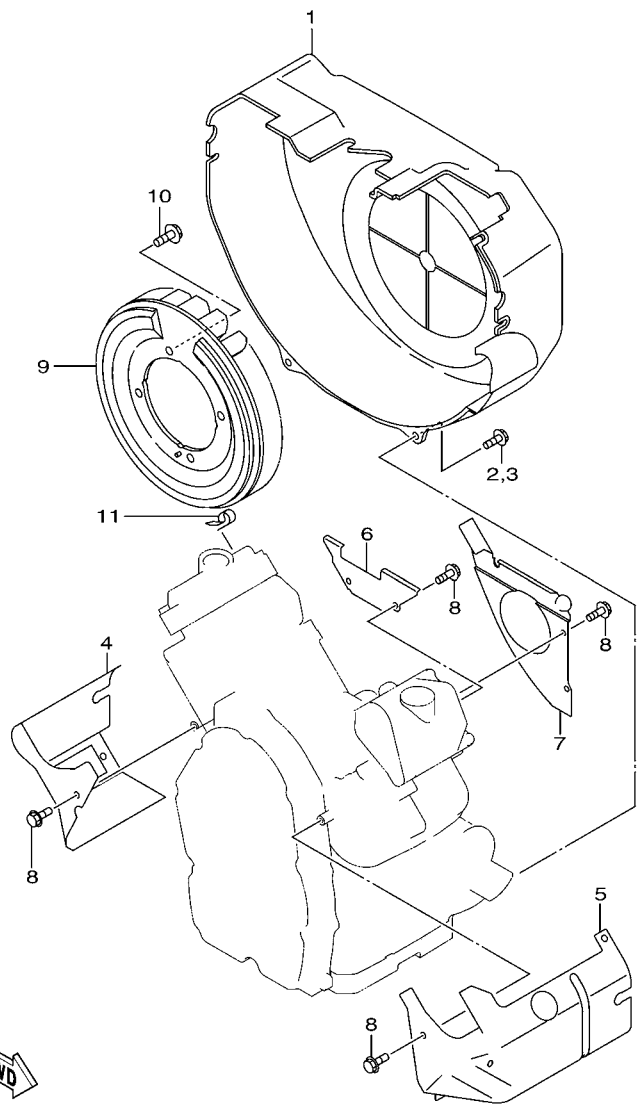
FIG. 4 GOVERNOR



7UY8400-C040

REF. NO.	PART NO.	DESCRIPTION	7UY8				REMARKS
27	YA0-11006-00-20	FLANGE BOLT (M6X12MM)	2				

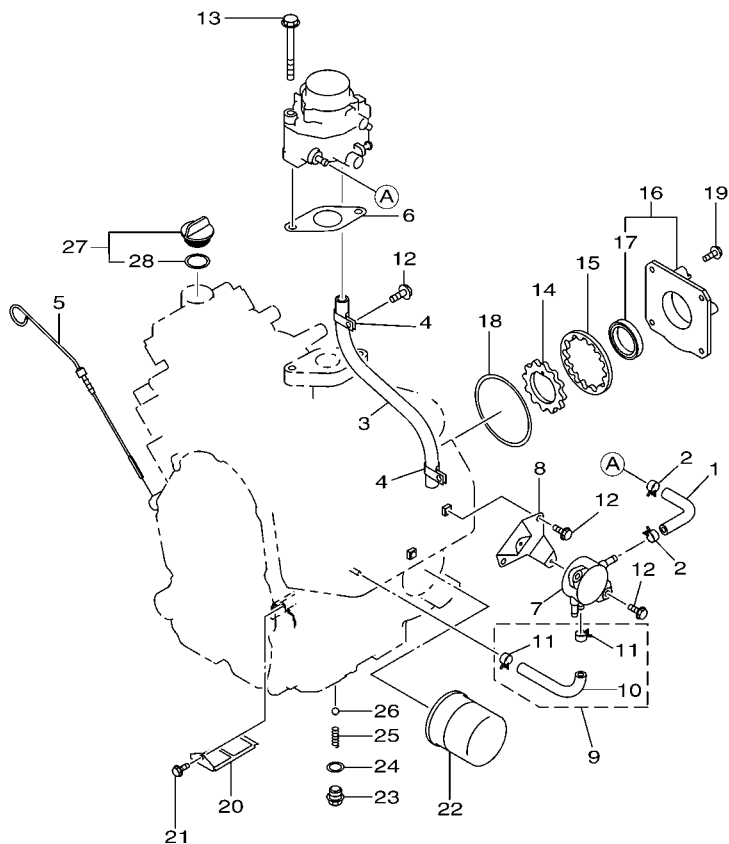
FIG. 5 AIR SHROUD & FAN



7UY8400-C050

REF. NO.	PART NO.	DESCRIPTION	7UY8				REMARKS
1	YA2-63511-21-B2	BLOWER HOUSING	1				
2	YA0-11006-00-30	FLANGE BOLT (M6X14MM)	6				
3	YA0-11006-01-40	FLANGE BOLT (M6 X18MM)	2				
4	YA2-63526-12-A1	CYLINDER BAFFLE 1 COMPL.	1				
5	YA2-63527-04-A1	CYLINDER BAFFLE 2 CP	1				
6	YA2-63528-01-03	CYLINDER BAFFLE 3	1				
7	YA2-63529-12-A2	CYLINDER BAFFLE 4 UNIT	1				
8	YA0-11006-00-20	FLANGE BOLT (M6X12MM)	8				
9	YA2-63541-01-A2	COOLING BLOWER UN	1				7UY-804912->
	YA2-63541-01-02	COOLING BLOWER UNIT	1				<-7UY-804911
10	YA0-01140-61-60	BOLT AND WASHER ASS'Y	4				
11	YA0-56600-02-50	CLAMP	1				

FIG. 6 FUEL PUMP



7UX2110-C060

REF. NO.	PART NO.	DESCRIPTION	7UY8				REMARKS
1	YA2-63680-06-B3	RUBBER PIPE	1				
2	YA0-56610-00-21	CLAMP	2				
3	YA0-85103-01-10	RUBBER PIPE	1				
4	YA2-06755-01-01	CLAMP, COMPL.	2				
5	YA2-63636-03-01	OIL GAUGE, COMPL.	1				
6	YA2-63662-01-A3	GASKET	1				
7	YA2-67622-01-10	FUEL PUMP ASS'Y	1				
8	YA2-63650-02-A3	BRACKET(FUEL PUMP)	1				
9	YA2-63626-53-B1	PULSE PIPE CP	1				
10	YA2-63680-08-B3	.RUBBER PIPE	1				
11	YA2-63685-01-03	.HOSE CLAMP	2				
12	YA0-11006-00-20	FLANGE BOLT (M6X12MM)	5				
13	YA0-11008-01-10	FLANGE BOLT (M8X80MM)	2				
14	YA2-63639-01-03	INNER ROTOR	1				Go to P/N : PE0-GE-160004
15	YA2-63639-02-03	OUTER ROTOR	1				Go to P/N : PE0-GE-160004
16	YA2-63640-01-11	OIL PUMP COVER,	1				
17	YA0-44035-01-70	.OIL SEAL	1				
18	YAX-24089-00-30	O RING	1				
19	YA0-11006-00-30	FLANGE BOLT (M6X14MM)	4				
20	YA2-63643-02-02	OIL PUMP FILTER UN	1				
21	YA2-63650-11-A3	FLANGE BOLT	1				
22	YA2-48658-01	OIL FILTER AY	1				
23	YA2-63650-01-13	PLUG, OIL RELIEF	1				
24	YA0-03701-40	GASKET, ALUMINUM	1				
25	YA2-63660-01-03	SPRING(RELIEF VALVE)	1				7UY-804696->
	YA2-48656-01-03	SPRING, RELIEF VALVE	1				<-7UY-804695
26	YA0-06903-08	STEEL BALL	1				

PARTS NEWS

News No. PE0-GE-160004

Date: Aug., 9., 2016



Signature: K. Tanaka

Cause: Revision Notice Correction Sales Unit Change Others

Model	EF13000TE (7UY8)
Subject	PARTS CATALOGUE CORRECTIONS
CATALOGUE NO.	1C7UY-400E1
Time of YPEC Revision	Text, Illustration --> Aug./31/2016 PDF Replace --> Aug./31/2016 (YPEC = Yamaha Parts Electrical Catalogue = Website parts catalogue)

LIST CORRECTION

FIG.6 FUEL PUMP


Ref. No.	PART NO.		DESCRIPTION	Q'TY	*Interchangeability	
						REMARKS
14	OLD	YA2-63639-01-03	INNER ROTOR	1		*Part number revision
	NEW	YA2-63639-04-H3				
15	OLD	YA2-63639-02-03	OUTER ROTOR	1		
	NEW	YA2-63639-05-H3				

* Applicable Engine Serial No.

EF13000TE 7UY-807275 and following

* Old parts are no longer available.
Please arrange new parts in a set.

*1: Interchangeability

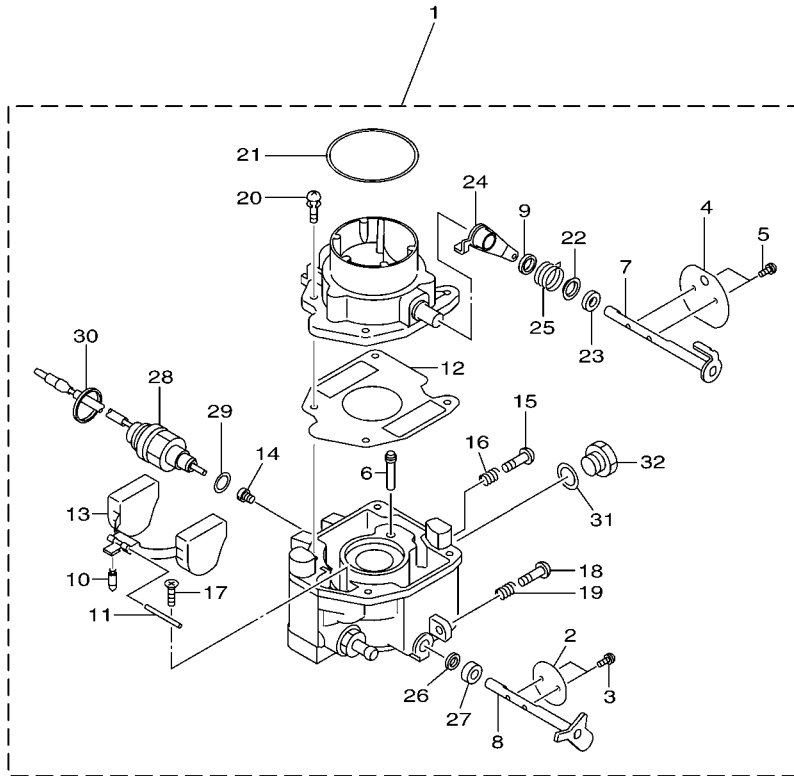
A	Old Parts	→	Old Parts
	New Parts	→	New Parts
B	Old Parts	→	Old Parts
	New Parts	→	New Parts
C	Old Parts	→	Old Parts
	New Parts	→	New Parts
	These parts are interchangeable with a set		

Parts
Manager
Check

Service
Manager
Check

Parts
Manager
File

YAMAHA MOTOR CO.,LTD
2500 Shingai Iwata Shizuoka 438-8501.Japan
Parts & Acc. Engineering Div., YMC.



FWD
7UY8400-C070

FIG. 7 CARBURETOR

REF. NO.	PART NO.	DESCRIPTION	7UY8				REMARKS
1	YA2-63625-81-10	CARBURETOR ASS'Y	1				
2	YA2-63625-35-08	.THROTTLE VALVE	1				
3	YA2-61623-52-08	.SCREW, VALVE SET	2				
4	YA2-63625-28-08	.VALVE, CHOKE	1				
5	YA2-58625-55-08	.SCREW, VALVE SET	2				
6	YA2-58624-20-08	.JET, SLOW (#60)	1				
7	YA2-63625-20-08	.SHAFT ASS'Y, CHOKE	1				
8	YA2-63625-32-08	.THROTTLE SHAFT ASS'Y	1				
9	YA2-58625-51-08	.RING, CHOKE LEVER	1				
10	YA2-26625-01-08	.VALVE, FLOAT	1				
11	YA2-58625-15-08	.FLOAT PIN	1				
12	YA2-80625-45-08	.GASKET, AIR HORN	1				
13	YA2-80625-05-08	.FLOAT	1				
14	YA2-63624-00-08	.MAIN JET (#132)	1				
15	YA2-15623-53-08	.SCREW, DRAIN	1				
16	YA2-15624-46-08	.SPRING, DRAIN	1				
17	YA2-58625-56-08	.SCREW, FLOAT PIN SET	1				
18	YA2-63624-51-08	.SCREW, THRO. ADJUST	1				
19	YA2-58624-45-08	.SPRING, ADJUST SCREW	1				
20	YA2-58624-50-08	.SCREW, AIR HORN SET	4				
21	YA2-63625-60-08	.O RING, AIR HORN	1				
22	YA2-80625-51-08	.COLLAR, CHOKE	1				
23	YA2-58625-54-08	.FILTER, CHOKE SHAFT	1				
24	YA2-63625-24-08	.LEVER ASS'Y, CHOKE	1				
25	YA2-63624-45-08	.SPRING, CHOKE	1				
26	YA2-26625-80-08	.FILTER, THROTTLE SHAFT	1				
27	YA2-58625-70-08	.COLLAR, THROTTLE SHAFT	1				

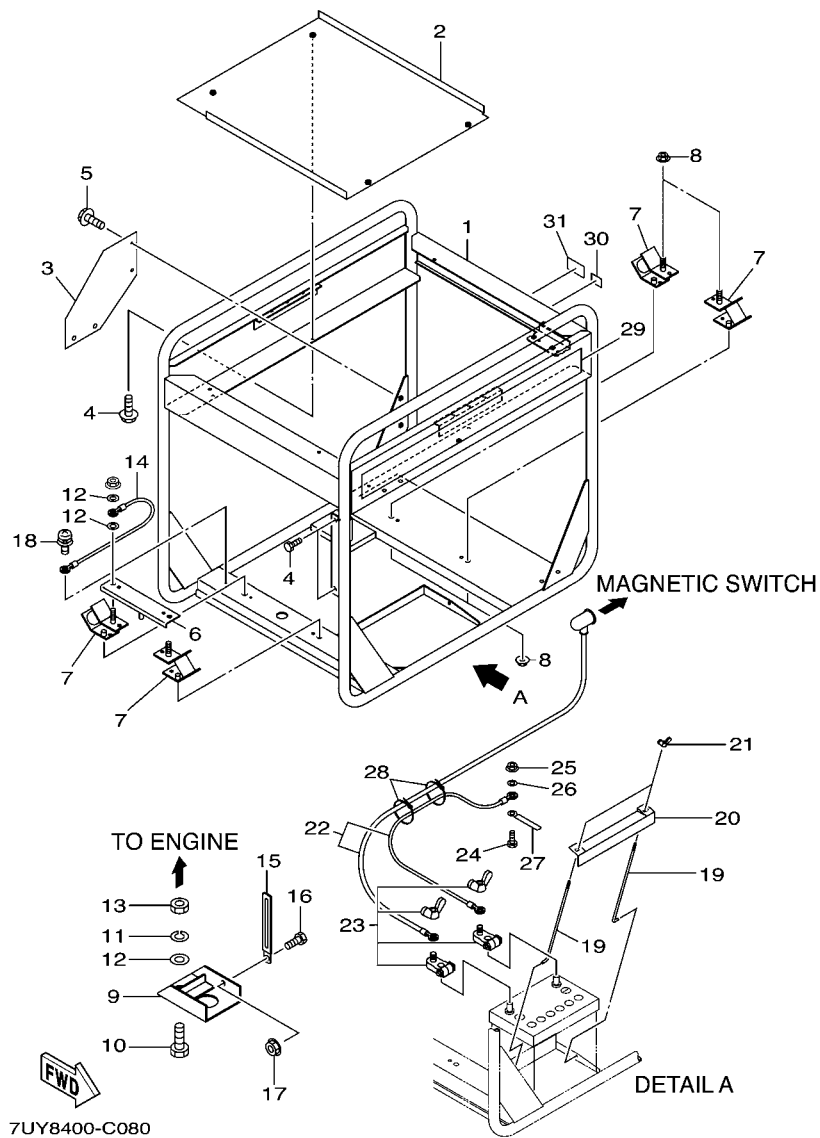


FIG. 8 FRAME

REF. NO.	PART NO.	DESCRIPTION	7UY8				REMARKS
1	YA3-1F610-27-01	PIPE FRAME COMP.	1				
2	YA3-1F610-24-01	BAFFLE PLATE	1				
3	YA3-1G610-25-01	COVER PLATE	1				
4	YA0-11006-00-80	FLANGE BOLT (M6X12MM)	7				
5	YA3-1G620-02-01	FLANGE BOLT (M8X15MM)	4				
6	YA3-1F610-02-01	GENERATOR BASE	1				
7	YA3-1F350-01-01	MOUNT, COMPL.	4				
8	YA0-02381-00	FLANGE NUT (M10)	8				
9	YA3-1F610-22-01	STOPPER PLATE	1				
10	YA0-01661-04	BOLT (M10X40MM)	1				
11	YA0-03201-00	SPRING WASHER	1				
12	YA0-03101-00	WASHER	3				
13	YA0-02171-00	NUT	1				
14	YA3-1F620-16-01	EARTH CORD	1				
15	YA0-56600-02-50	CLAMP	1				
16	YA0-11006-00-20	FLANGE BOLT (M6X12MM)	1				
17	YA0-02380-60	FLANGE NUT(M6)	1				
18	YA3-92499-87-08	SCREW AND WASHER ASSY (M5X8MM)	1				
19	YA9-78216-11-20	ROD, BATTERY	2				
20	YA3-1F330-01-01	BATTERY STAY, COMPL.	1				
21	YA0-02410-60	WING NUT	2				
22	YA3-1F740-16-11	WIRE CABLE SET	1				
23	YA3-1F320-01-03	BATTERY TERMINAL	1				
24	YA0-01660-84-50	BOLT (M8X45MM)	1				
25	YA0-02380-80	FLANGE NUT	1				
26	YA0-03100-80	WASHER	1				
27	YA0-56600-01-70	CLAMP	1				

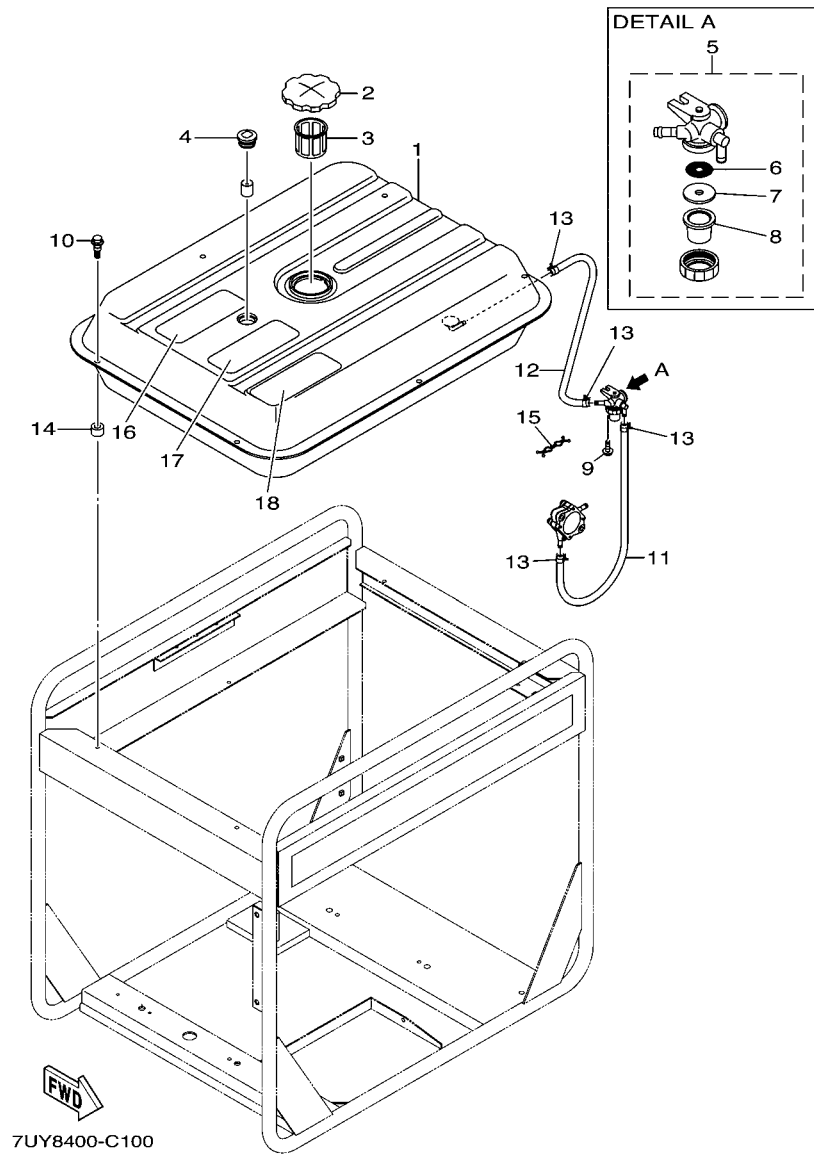
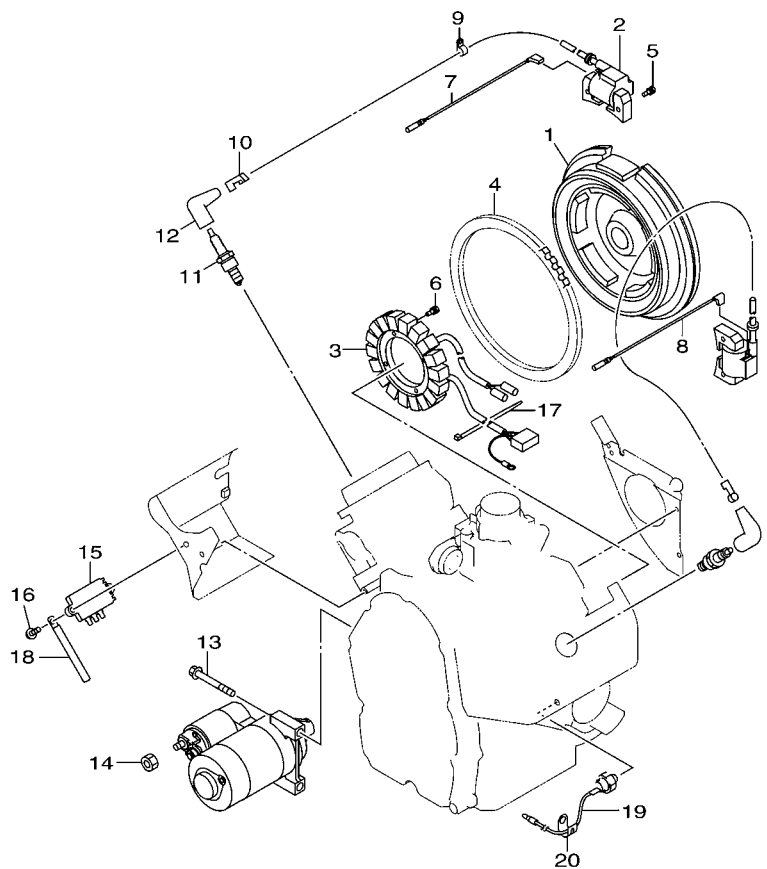


FIG. 10 FUEL TANK

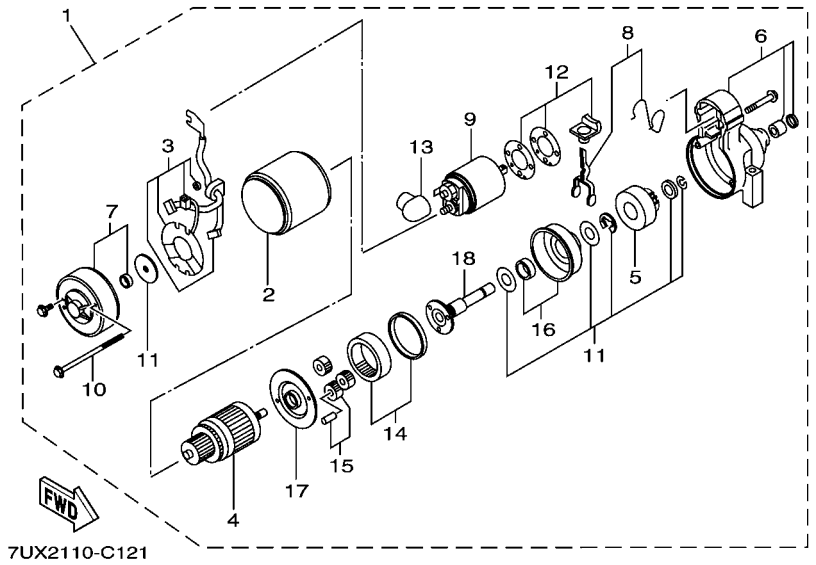
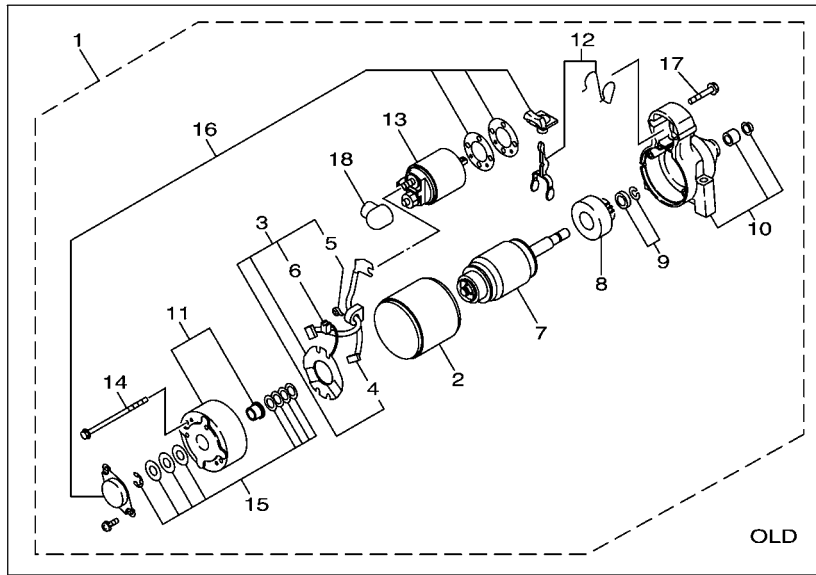
REF. NO.	PART NO.	DESCRIPTION	7UY8			REMARKS
1	YA3-1G361-02-01	FUEL TANK, COMPL.	1			
2	YA0-43059-00-11	FUEL TANK CAP ASS'Y	1			
3	YA0-64154-00-11	FUEL FILTER	1			
4	YA0-64800-15	FUEL GAUGE, COMPL.	1			
5	YA0-64201-07	FUEL STRAINER ASS'Y	1			7UY-805194->
	YA0-64200-36-01	FUEL STRAINER ASS'Y	1			<-7UY-805193
6	YA0-64200-02-20	.FILTER	1			
7	YA0-64200-02-30	.GASKET	1			7UY-805194->
	YA0-64200-30-30	.PACKING	1			<-7UY-805193
8	YA0-64201-07-10	.CUP	1			7UY-805194->
	YA0-64200-36-10	.CUP	1			<-7UY-805193
9	YA0-11006-00-30	FLANGE BOLT (M6X14MM)	1			
10	YA0-11006-02-20	FLANGE BOLT (M6X21MM)	6			
11	YA0-85106-10-40	RUBBER PIPE	1			
12	YA0-85106-07-40	RUBBER PIPE	1			
13	YA0-56111-00-20	HOSE CLAMP	4			
14	YA3-91390-00-13	RUBBER WASHER	6			
15	YA3-1F390-02-03	PURSE LOCK	1			
16	YA3-88930-03-03	LABEL, CAUTION (7NY3)	1			
17	YA3-1G810-44-03	LABEL(WARNING)	1			
18	YA3-1G810-45-03	LABEL(WARNING)	1			

FIG. 11 ELECTRICAL




7UY84000-C110

REF. NO.	PART NO.	DESCRIPTION	7UY8				REMARKS
1	YA2-63772-02-11	FLYWHEEL CP	1				
2	YA2-63782-02-11	IGNITION COIL, COMPL.	2				<-7UY-806174
	YA2-63782-03-01	IGNITION COIL, COMPL.	2				7UY-806175->
3	YA2-63794-05-A1	CHARGE COIL COMP.	1				
4	YA2-63710-01-03	RING GEAR	1				
5	YA0-01140-62-50	BOLT AND WASHER ASS'Y	4				
6	YA0-01160-52	BOLT AND WASHER AY	4				7UY-804764->
	YA0-01170-52	BOLT & WASHER AY	4				804696<->804763
	YA0-13105-00-40	SCREW AND WASHER ASSY(M5X20MM)	4				<-7UY-804695
7	YA2-63730-16-01	WIRE 4, COMPL.	1				
8	YA2-63730-17-01	WIRE 5, COMPL.	1				
9	YA2-06755-01-01	CLAMP, COMPL.	1				
10	YA0-65900-00-10	PLUG TERMINAL	2				
11	YA0-65014-02-80	SPARK PLUG (BPR5ES)	2				
12	YAX-65510-00-10	SPARK PLUG CAP	2				
13	YA0-11008-01	FLANGE BOLT (M8X65MM)	2				
14	YA0-02380-80	FLANGE NUT	1				
15	YA2-63719-01-01	REGULATOR, COMPL.	1				
16	YA0-11006-01-40	FLANGE BOLT (M6 X18MM)	2				
17	YA0-56300-00-10	WIRE BAND	3				
18	YA0-56600-02-50	CLAMP	2				
19	YA2-63731-02-11	WIRE ASSY, OIL PRESSURE SWITCH	1				
20	YA2-06755-01-01	CLAMP, COMPL.	2				



7UX2110-C121

FIG. 12 STARTING MOTOR

REF. NO.	PART NO.	DESCRIPTION	7UY8			REMARKS
1	YA2-63705-02-A0	STARTING MOTOR ASS'Y	1			<-7UY-806174
	YA2-63705-03	STARTING MOTOR ASSY	1			7UY-806175->
2	YA2-55705-80-08	.YOKE ASS'Y	1			<-7UY-806174
	YA2-63705-61-08	.YOKE ASSY	1			7UY-806175->
3	YA2-55705-31-08	.BRUSH HOLDER ASS'Y	1			<-7UY-806174
	YA2-45705-03-08	.BRUSH HOLDER ASSY	1			7UY-806175->
4	YA2-55705-51-08	..BRUSH SET	1			<-7UY-806174
	YA2-63705-12-08	.ARMATURE ASSY	1			7UY-806175->
5	YA2-28705-16-08	..BRUSH SPRING	4			<-7UY-806174
	YA2-63705-22-08	.PINION ASSY	1			7UY-806175->
6	YA2-28705-14-08	..BRUSH (-)	2			<-7UY-806174
	YA2-63705-03-08	.GEAR CASE ASSY	1			7UY-806175->
7	YA2-63705-10-08	.ARMATURE ASS'Y	1			<-7UY-806174
	YA2-63705-07-08	.REAR COVER ASSY	1			7UY-806175->
8	YA2-55705-21-08	.PINION ASS'Y	1			<-7UY-806174
	YA2-45705-18-08	.SHIFT LEVER SET	1			7UY-806175->
9	YA2-10705-34-08	.PINION STOPPER SET	1			<-7UY-806174
	YA2-63705-15-08	.MAGNETIC SWITCH ASS'Y	1			7UY-806175->
10	YA2-63705-00-08	.GEAR CASE ASS'Y	1			<-7UY-806174
	YA2-07705-24-08	.THROUGH BOLT	2			7UY-806175->
11	YA2-63705-05-08	.REAR COVER ASS'Y	1			<-7UY-806174
	YA2-45705-16-08	.WASHER STOPPER SET	1			7UY-806175->
12	YA2-43705-25-08	.SHIFT LEVER KIT	1			<-7UY-806174
	YA2-45705-20-08	.DUST COVER KIT	1			7UY-806175->
13	YA2-63705-15-08	.MAGNETIC SWITCH ASS'Y	1			<-7UY-806174
	YA2-07705-26-08	.RUBBER CAP	1			7UY-806175->
14	YA2-07705-24-08	.THROUGH BOLT	2			<-7UY-806174

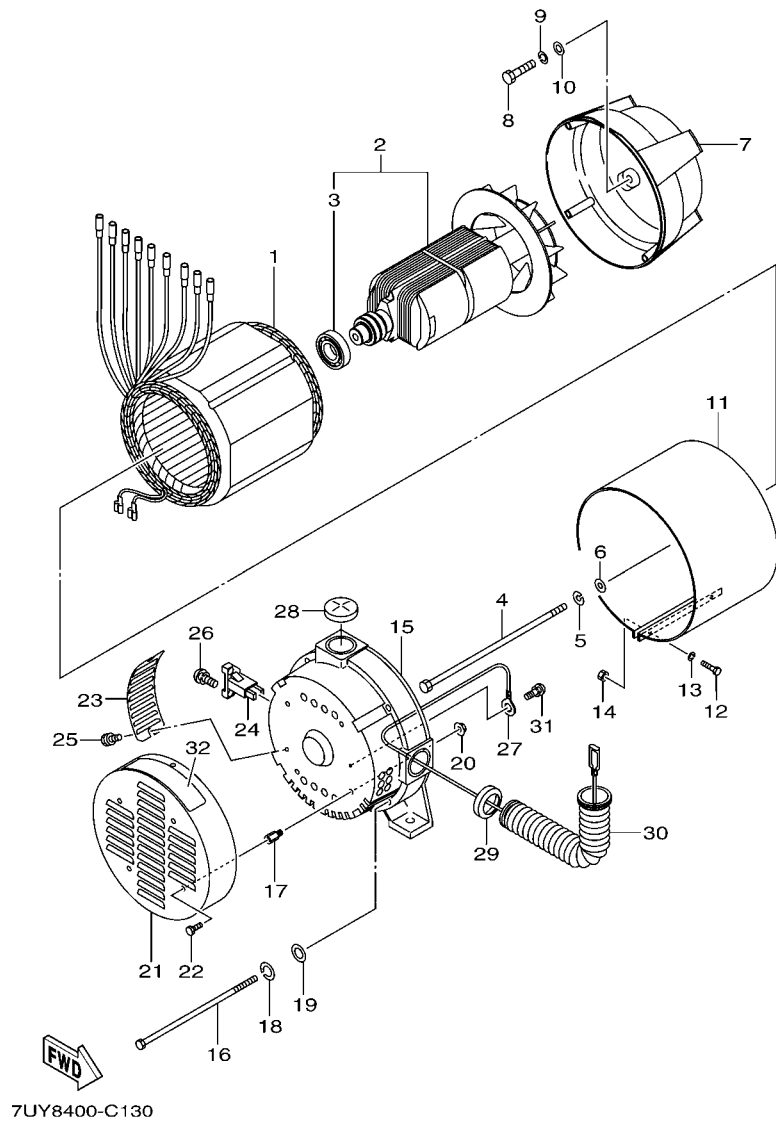


FIG. 13 GENERATOR

REF. NO.	PART NO.	DESCRIPTION	7UY8				REMARKS
1	YA3-1F520-17-01	STATOR, COMPL.	1				
2	YA3-1F520-18-01	ROTOR, COMPL.	1				
3	YA3-33582-06-08	.BEARING	1				
4	YA3-1F540-02-01	THROUGH BOLT (5/16-24X265MM)	1				
5	YA0-03200-80	SPRING WASHER	1				
6	YA0-03100-80	WASHER	1				
7	YA3-1F530-01-03	FRONT BRACKET	1				
8	YA3-1F540-01-01	BOLT (3/8-16X25MM)	4				
9	YA0-03201-00	SPRING WASHER	4				
10	YA0-03101-00	WASHER	4				
11	YA3-1F540-09-01	STATOR COVER	1				
12	YA3-1F540-05-01	BOLT (M4X18MM)	2				
13	YA0-03200-40	SPRING WASHER (7NY3)	2				
14	YA0-02170-40	NUT(M4)	2				
15	YA3-1F530-17-01	REAR COVER	1				
16	YA3-65580-06-08	COVER BOLT (M8X220MM)	4				
17	YA3-91256-00-03	BOLT	4				
18	YA0-03200-80	SPRING WASHER	4				
19	YA0-03100-80	WASHER	4				
20	YA0-02380-60	FLANGE NUT(M6)	4				
21	YA3-1F540-16-01	END COVER	1				
22	YA0-11006-00-80	FLANGE BOLT (M6X12MM)	4				
23	YA3-1F540-04-01	BRUSH COVER	1				
24	YA3-1G740-01-01	BRUSH HOLDER, COMPL.	1				
25	YA3-56599-53-08	BOLT AND WASHER ASSY (M5X12MM)	2				
26	YA3-1G620-01-01	SCREW AND WASHER ASSY(M5X20MM)	2				
27	YA3-1F620-17-01	EARTH WIRE	1				

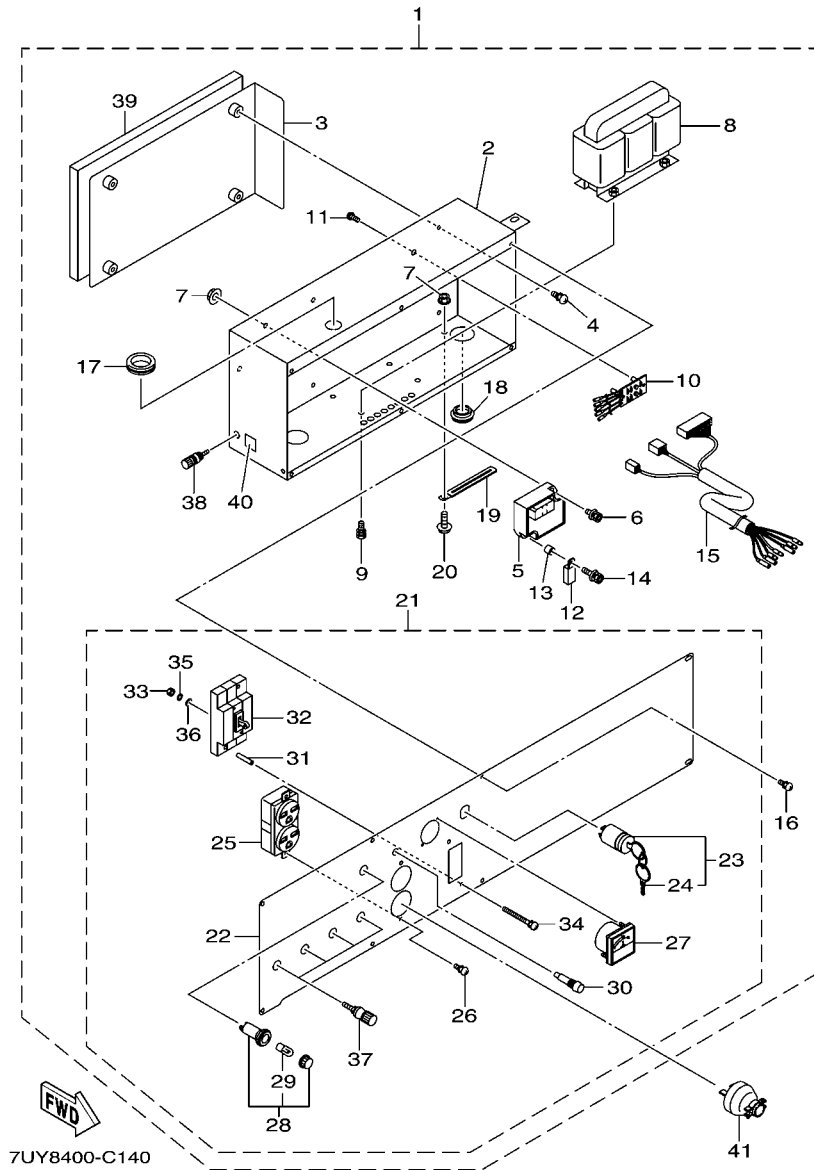


FIG. 14 CONTROL BOX

REF. NO.	PART NO.	DESCRIPTION	7UY8				REMARKS
1	YA3-1F710-31-10	CONTROL BOX ASSY	1				
2	YA3-1G730-19-01	.CONTROL BOX UNIT	1				
3	YA3-1G730-06-01	.PLATE	1				
4	YA3-66499-97-08	.SCREW AND WASHER ASSY(M5X10MM)	4				
5	YAK-U3110-62-21	.AWNING ASSY	1				
6	YA0-04360-62	.SCREW AND WASHER ASSY(M6X20MM)	1				
7	YA0-02380-60	.FLANGE NUT(M6)	3				
8	YA3-1F740-17-01	.CURRENT TRANS	1				
9	YA3-1F760-03-01	.BOLT AND WASHER ASS'Y (M6X15MM)	4				
10	YA3-1F740-18-01	.DIODE UNIT	1				
11	YA3-92499-86-08	.SCREW AND WASHER ASSY (M4X6MM)	2				
12	YA3-91483-01-01	.RELAY	1				
13	YA0-23006-03-30	.SPACER	1				
14	YA0-01370-60-35	.SCREW	1				
15	YA3-1G760-06-13	.WIRE HARNESS	1				
16	YA3-51499-20-08	.SCREW AND WASHER ASSY(M4X10MM)	6				
17	YA0-24115-00-10	.GROMMET	1				
18	YA3-1H750-09-03	.GROMMET	1				
19	YA0-56600-02-50	.CLAMP	1				
20	YA0-11006-00-20	.FLANGE BOLT (M6X12MM)	1				
21	YA3-1F720-17-20	.CONTROL PANEL ASSY	1				
22	YA3-1F730-36-01	..CONTROL PANEL	1				
23	YA0-66000-03-30	..KEY SWITCH	1				
24	YA0-66000-99-80	...KEY	2				
25	YA3-1F750-20-03	..AC RECEPTACLE(250V-15A)	1				
26	YA3-51499-20-08	..SCREW AND WASHER ASSY(M4X10MM)	2				
27	YA3-1F750-19-03	..VOLTMETER (0-600V)	1				

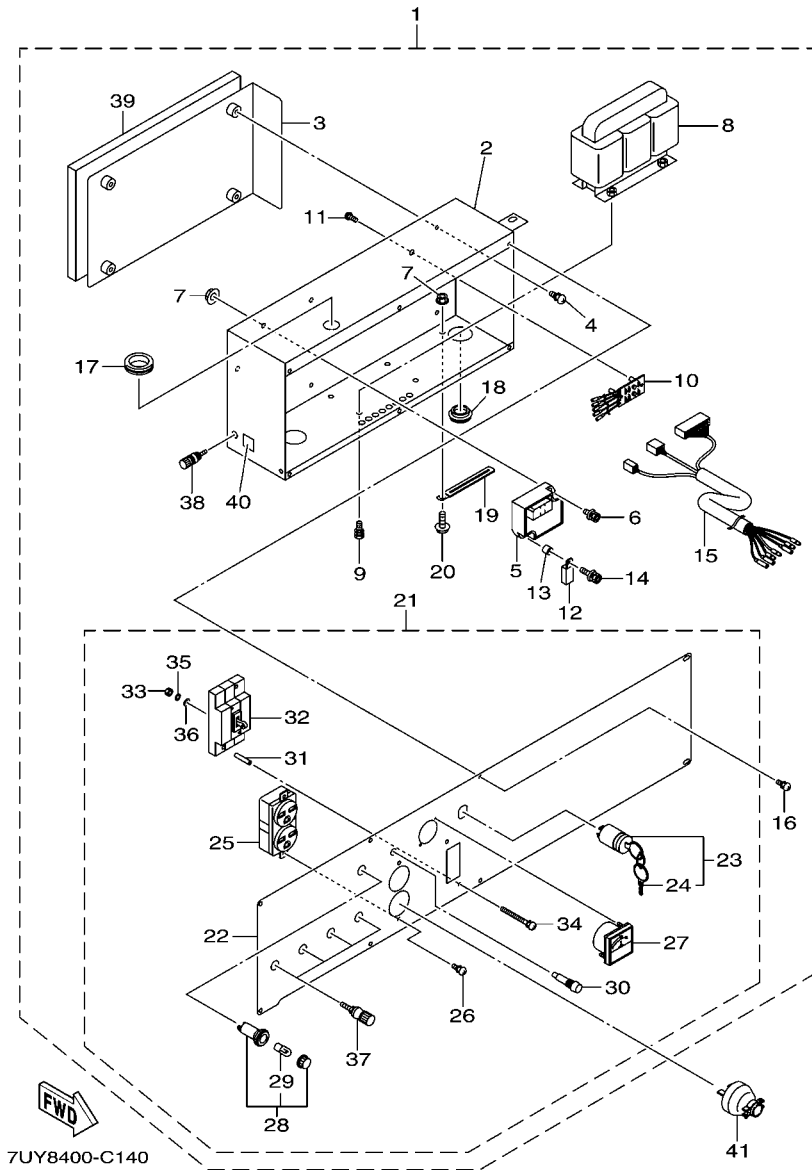
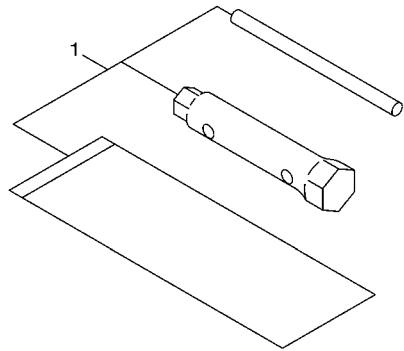


FIG. 14 CONTROL BOX

REF. NO.	PART NO.	DESCRIPTION	7UY8				REMARKS
28	YA3-93431-01-01	..LAMP (OIL) (RED)	1				
29	YA3-93450-06-01	..LAMP(18V-0.11A)	1				
30	YA3-20751-18-08	..LAMP (RED) (7NY3)	1				
31	YA3-1F750-18-03	..SPACER	2				
32	YA3-1F750-28-03	..NO FUSE BREAKER(3P-12A)	1				
33	YA0-02170-40	..NUT(M4)	2				
34	YA3-1F760-04-01	..SCREW (M4X60MM)	2				
35	YA0-03200-40	..SPRING WASHER (7NY3)	2				
36	YA0-03100-40	..WASHER	2				
37	YA3-1F750-17-03	..TERMINAL	4				
38	YA3-53457-16-08	..TERMINAL BOLT	1				
39	YA3-1G740-26-01	..SPONGE	1				
40	YA3-0G491-06-08	..LABEL, EARTH	1				
41	YA3-58950-01-03	AC PLUG (250V-15A) (7NY3)	2				



7UX2110-C160

FIG. 15 EQUIPED PARTS TOOLS

REF. NO.	PART NO.	DESCRIPTION	7UX8				REMARKS
1	YA2-27903-01-10	ACCESSORY TOOLS KIT	1				

NUMERICAL INDEX

PART NO.	REF. NO.	PART NO.	REF. NO.	PART NO.	REF. NO.	PART NO.	REF. NO.	PART NO.	REF. NO.	PART NO.	REF. NO.
YA0-01050-84	2 - 7	YA0-06903-08	6 - 26	YA3-1F530-17-01	13 - 15	YA0-21706-00-30	4 - 22	YA0-56300-00-60	8 - 28	YA2-63226-01	2 - 6
YA0-01140-61-60	5 - 10	YA2-07705-24-08	12 - 10	YA3-1F540-01-01	13 - 8	YA0-23006-03-30	14 - 13	YA0-56510-00-50	1 - 25	YA2-63226-01-10	2 - 6
YA0-01140-62-50	11 - 5		12 - 14	YA3-1F540-02-01	13 - 4	YAX-23008-01-50	4 - 3		1 - 30	YA2-63226-02	2 - 6
YA0-01140-63	4 - 8	YA2-07705-26-08	12 - 13	YA3-1F540-04-01	13 - 23	YAX-24089-00-30	6 - 18	YA0-56521-00-20	2 - 11	YA2-63233-01-03	2 - 8
YA0-01140-82	3 - 19		12 - 18	YA3-1F540-05-01	13 - 12	YA0-24115-00-10	14 - 17	YA3-56599-53-08	13 - 25	YA2-63233-01-23	2 - 8
	9 - 5	YA3-0G491-06-08	14 - 40	YA3-1F540-09-01	13 - 11	YA2-26431-01-01	4 - 14	YA0-56600-01-70	8 - 27	YA2-63234-01-03	2 - 9
YA0-01160-52	11 - 6	YA0-10508-02-90	1 - 27	YA3-1F540-16-01	13 - 21	YA2-26625-01-08	7 - 10	YA0-56600-02-50	5 - 11	YA2-63234-02-03	2 - 9
YA0-01170-52	11 - 6		1 - 32	YA3-1F610-02-01	8 - 6	YA2-26625-80-08	7 - 26		8 - 15	YA2-63234-03-03	2 - 9
YA0-01370-60-35	14 - 14	YA2-10705-34-08	12 - 9	YA3-1F610-07-01	9 - 3	YA2-27435-01-13	4 - 20		11 - 18	YA2-63235-01-17	2 - 10
YA0-01660-84-50	8 - 24	YA0-11006-00-20	3 - 29	YA3-1F610-22-01	8 - 9	YA2-27903-01-10	15 - 1		14 - 19	YA2-63235-02-17	2 - 10
YA0-01661-04	8 - 10		4 - 27	YA3-1F610-24-01	8 - 2	YA2-28705-14-08	12 - 6	YA0-56610-00-21	6 - 2	YA2-63235-03-17	2 - 10
YA0-02170-40	13 - 14		5 - 8	YA3-1F610-27-01	8 - 1	YA2-28705-16-08	12 - 5	YA2-58624-20-08	7 - 6	YA2-63250-12-A3	2 - 2
	14 - 33		6 - 12	YA3-1F620-16-01	8 - 14	YA0-31006-00-20	1 - 39	YA2-58624-45-08	7 - 19	YA2-63250-13-A3	2 - 2
YA0-02171-00	8 - 13		8 - 16	YA3-1F620-17-01	13 - 27	YA0-31008-01	1 - 3	YA2-58624-50-08	7 - 20	YA2-63250-14-A3	2 - 2
YA0-02270-50	4 - 24		14 - 20	YA3-1F710-31-10	14 - 1	YA1-3207A-A0-50	1 - 26	YA2-58625-15-08	7 - 11	YA2-63301-02-A1	3 - 14
YA0-02380-60	8 - 17	YA0-11006-00-30	1 - 45	YA3-1F720-17-20	14 - 21		1 - 31	YA2-58625-46-08	7 - 29	YA2-63301-02-H1	3 - 14
	13 - 20		3 - 20	YA3-1F730-36-01	14 - 22	YA3-33582-06-08	13 - 3	YA2-58625-51-08	7 - 9	YA2-63326-10-A1	3 - 27
	14 - 7		5 - 2	YA3-1F740-16-11	8 - 22	YA2-35154-21-03	1 - 6	YA2-58625-54-08	7 - 23	YA2-63326-30-03	3 - 25
YA0-02380-80	3 - 30		6 - 19	YA3-1F740-17-01	14 - 8	YA0-40114-00-30	1 - 11	YA2-58625-55-08	7 - 5	YA2-63326-40-01	3 - 26
	8 - 25		10 - 9	YA3-1F740-18-01	14 - 10	YA1-42556-01-03	1 - 4	YA2-58625-56-08	7 - 17	YA2-63333-01-A3	3 - 2
	9 - 7	YA0-11006-00-80	8 - 4	YA3-1F750-17-03	14 - 37	YA0-43059-00-11	10 - 2	YA2-58625-66-08	7 - 30	YA2-63334-01-03	3 - 5
	11 - 14		13 - 22	YA3-1F750-18-03	14 - 31	YA2-43705-25-08	12 - 12	YA2-58625-70-08	7 - 27	YA2-63335-02-13	3 - 6
YA0-02381-00	8 - 8	YA0-11006-01-01	1 - 40	YA3-1F750-19-03	14 - 27	YA0-44008-00-10	1 - 5	YA3-58950-01-03	14 - 41	YA2-63353-21-B1	3 - 8
YA0-02410-60	8 - 21	YA0-11006-01-40	5 - 3	YA3-1F750-20-03	14 - 25	YA0-44035-01-70	6 - 17	YA1-59654-01-03	1 - 7	YA2-63353-41-03	1 - 9
YA0-03100-40	14 - 36		11 - 16	YA3-1F750-28-03	14 - 32	YA0-44042-00-30	1 - 15	YA2-61358-01-13	3 - 10		1 - 10
YA0-03100-80	4 - 4	YA0-11006-02-20	10 - 10	YA3-1F760-03-01	14 - 9	YA2-45705-03-08	12 - 3	YA2-61452-01-03	4 - 12	YA2-63355-03-A3	3 - 28
	8 - 26	YA0-11008-01	11 - 13	YA3-1F760-04-01	14 - 34	YA2-45705-09-08	12 - 16	YA2-61623-52-08	7 - 3	YA2-63370-01-A1	3 - 16
	13 - 6	YA0-11008-01-10	6 - 13	YA3-1F810-17-03	13 - 32	YA2-45705-16-08	12 - 11	YA2-63101-11-01	1 - 1	YA2-63370-01-A3	3 - 13
	13 - 19	YA0-11008-02-20	1 - 22	YA3-1F941-01-03	8 - 31	YA2-45705-18-08	12 - 8	YA2-63111-01-21	1 - 14	YA2-63370-01-H1	3 - 16
YA0-03101-00	8 - 12	YA0-11010-00-70	1 - 35	YA3-1G361-02-01	10 - 1	YA2-45705-20-08	12 - 12	YA2-63111-01-41	1 - 14	YA2-63373-02-A3	3 - 21
	13 - 10	YA0-11505-00-20	4 - 23	YA3-1G395-01	9 - 2	YA2-46336-11-03	3 - 3	YA2-63132-11-01	1 - 23	YA2-63373-02-H3	3 - 21
YA0-03101-80	2 - 4	YA0-13105-00-40	11 - 6	YA3-1G610-25-01	8 - 3	YA2-46337-11-13	3 - 4	YA2-63133-11-01	1 - 28	YA2-63373-21-A2	3 - 15
YA0-03200-40	13 - 13	YA0-15205-00-10	4 - 18	YA3-1G610-26-01	9 - 6	YA2-46355-01-03	3 - 7	YA2-63142-11-03	1 - 24	YA2-63373-21-H2	3 - 15
	14 - 35	YA2-15623-53-08	7 - 15	YA3-1G620-01-01	13 - 26	YA2-48656-01-03	6 - 25		1 - 29	YA2-63422-01-A3	4 - 2
YA0-03200-80	13 - 5	YA2-15624-46-08	7 - 16	YA3-1G620-02-01	8 - 5	YA2-48658-01	6 - 22	YA2-63143-01-03	1 - 42	YA2-63423-01-B3	4 - 1
	13 - 18	YA0-17006-01-10	3 - 12	YA3-1G630-21-01	9 - 1	YA2-48763-01-01	1 - 13	YA2-63150-21-11	1 - 33	YA2-63425-08-03	4 - 10
YA0-03201-00	8 - 11	YA0-17606-00-20	4 - 25	YA3-1G630-22-01	9 - 4	YA3-51499-20-08	14 - 16	YA2-63150-21-21	1 - 33	YA2-63427-01-A3	4 - 5
	13 - 9	YA0-18008-00-10	3 - 18	YA3-1G730-06-01	14 - 3		14 - 26	YA2-63151-21-01	1 - 34	YA2-63428-01-03	4 - 6
YA0-03221-00	4 - 15	YA0-18018-00-10	2 - 3	YA3-1G730-19-01	14 - 2	YA3-53457-16-08	14 - 38	YA2-63151-21-11	1 - 34	YA2-63433-01-A3	4 - 19
YA0-03701-40	6 - 24	YA0-18606-00-20	4 - 9	YA3-1G740-01-01	13 - 24	YA3-54545-14-08	13 - 28	YA2-63155-01-A3	1 - 37	YA2-63439-01-A3	4 - 16
YA0-04360-62	14 - 6	YA3-1D510-24-01	13 - 29	YA3-1G740-26-01	14 - 39	YA2-55705-21-08	12 - 8	YA2-63158-02-03	1 - 2	YA2-63450-02-03	4 - 21
YA0-05104-04	9 - 10	YA3-1F320-01-03	8 - 23	YA3-1G760-06-13	14 - 15	YA2-55705-31-08	12 - 3		1 - 16	YA2-63450-03-01	1 - 17
YA0-05110-60-01	4 - 7	YA3-1F330-01-01	8 - 20	YA3-1G810-11-03	8 - 29	YA2-55705-51-08	12 - 4	YA2-63159-01-03	1 - 8	YA2-63450-11-02	4 - 26
YA0-05260-81-80	1 - 3	YA3-1F350-01-01	8 - 7	YA3-1G810-44-03	10 - 17	YA2-55705-70-08	12 - 16	YA2-63160-02-A3	1 - 21	YA2-63450-11-A2	4 - 26
YA0-05320-54-01	2 - 5	YA3-1F390-02-03	10 - 15	YA3-1G810-45-03	10 - 18	YA2-55705-80-08	12 - 2	YA2-63160-06-03	1 - 44	YA2-63460-01-03	4 - 13
YA2-06755-01-01	6 - 4	YA3-1F520-17-01	13 - 1	YA3-1H750-09-03	14 - 18	YA0-56111-00-20	10 - 13	YA2-63161-01-A3	1 - 38	YA2-63460-10-03	4 - 17
	11 - 9	YA3-1F520-18-01	13 - 2	YA3-20751-18-08	14 - 30	YA0-56120-00-20	3 - 32	YA2-63180-03-03	3 - 31	YA2-63460-11-A3	4 - 11
	11 - 20	YA3-1F530-01-03	13 - 7	YA0-21114-00-20	1 - 12	YA0-56300-00-10	11 - 17	YA2-63212-01-11	2 - 1	YA2-63462-14-A3	1 - 19

NUMERICAL INDEX

PART NO.	REF. NO.	PART NO.	REF. NO.	PART NO.	REF. NO.	PART NO.	REF. NO.	PART NO.	REF. NO.	PART NO.	REF. NO.
YA2-63462-15-A3	1 - 18	YA2-63705-50-08	12 - 15	YA2-80625-05-08	7 - 13						
YA2-63511-21-B2	5 - 1	YA2-63705-51-08	12 - 17	YA2-80625-45-08	7 - 12						
YA2-63526-12-A1	5 - 4	YA2-63705-61-08	12 - 2	YA2-80625-51-08	7 - 22						
YA2-63527-04-A1	5 - 5	YA2-63705-71-08	12 - 18	YA2-80636-02-A1	6 - 27						
YA2-63528-01-03	5 - 6	YA2-63705-76-08	12 - 15	YA0-85103-01-10	6 - 3						
YA2-63529-12-A2	5 - 7	YA2-63705-91-08	12 - 17	YA0-85106-07-40	10 - 12						
YA2-63541-01-02	5 - 9	YA2-63705-96-08	12 - 14	YA0-85106-10-40	10 - 11						
YA2-63541-01-A2	5 - 9	YA2-63710-01-03	11 - 4	YA3-85543-89-08	9 - 8						
YA2-63556-01-03	1 - 4	YA2-63719-01-01	11 - 15	YA3-85543-90-08	9 - 9						
YA2-63624-00-08	7 - 14	YA2-63730-16-01	11 - 7	YA3-88930-03-03	10 - 16						
YA2-63624-45-08	7 - 25	YA2-63730-17-01	11 - 8	YA3-91256-00-03	13 - 17						
YA2-63624-51-08	7 - 18	YA2-63731-02-11	11 - 19	YA3-91290-00-13	13 - 30						
YA2-63625-20-08	7 - 7	YA2-63772-02-11	11 - 1	YA3-91390-00-13	10 - 14						
YA2-63625-24-08	7 - 24	YA2-63782-02-11	11 - 2	YA3-91483-01-01	14 - 12						
YA2-63625-28-08	7 - 4	YA2-63782-03-01	11 - 2	YA3-92499-86-08	13 - 31						
YA2-63625-32-08	7 - 8	YA2-63794-05-A1	11 - 3		14 - 11						
YA2-63625-35-08	7 - 2	YA2-63990-01-37	1 - 46	YA3-92499-87-08	8 - 18						
YA2-63625-52-08	7 - 32	YA0-64154-00-11	10 - 3	YA3-93431-01-01	14 - 28						
YA2-63625-55-08	7 - 31	YA0-64200-02-20	10 - 6	YA3-93450-06-01	14 - 29						
YA2-63625-56-08	7 - 28	YA0-64200-02-30	10 - 7	YAK-U3110-62-21	14 - 5						
YA2-63625-60-08	7 - 21	YA0-64200-30-30	10 - 7								
YA2-63625-81-10	7 - 1	YA0-64200-36-01	10 - 5								
YA2-63626-53-B1	6 - 9	YA0-64200-36-10	10 - 8								
YA2-63636-03-01	6 - 5	YA0-64201-07	10 - 5								
YA2-63639-01-03	6 - 14	YA0-64201-07-10	10 - 8								
YA2-63639-02-03	6 - 15	YA0-64800-15	10 - 4								
YA2-63640-01-11	6 - 16	YA0-65014-02-80	11 - 11								
YA2-63643-02-02	6 - 20	YAX-65510-00-10	11 - 12								
YA2-63644-14-A3	6 - 28	YA3-65580-06-08	13 - 16								
YA2-63650-01-13	6 - 23	YA0-65900-00-10	11 - 10								
YA2-63650-02-A3	6 - 8	YA0-66000-03-30	14 - 23								
YA2-63650-11-A3	6 - 21	YA0-66000-99-80	14 - 24								
YA2-63660-01-03	6 - 25	YA3-66499-97-08	14 - 4								
YA2-63662-01-A3	6 - 6	YA2-67357-01-03	3 - 11								
YA2-63680-06-B3	6 - 1	YA2-67361-01-13	3 - 9								
YA2-63680-08-B3	6 - 10	YA2-67361-02-03	3 - 9								
YA2-63685-01-03	6 - 11	YA2-67622-01-10	6 - 7								
YA2-63705-00-08	12 - 10	YA2-70352-01-01	3 - 17								
YA2-63705-02-A0	12 - 1	YA0-73200-50-80	8 - 30								
YA2-63705-03	12 - 1	YA2-77419-01-03	1 - 20								
YA2-63705-03-08	12 - 6	YA9-78216-11-20	8 - 19								
YA2-63705-05-08	12 - 11	YA2-80144-01-A1	1 - 43								
YA2-63705-07-08	12 - 7	YA2-80155-01-A3	1 - 36								
YA2-63705-10-08	12 - 7	YA2-80190-01-A3	1 - 41								
YA2-63705-12-08	12 - 4	YA2-80317-01-13	3 - 1								
YA2-63705-15-08	12 - 9	YA2-80326-01-A0	3 - 23								
	12 - 13	YA2-80326-20-A1	3 - 24								
YA2-63705-22-08	12 - 5	YA2-80330-01-C3	3 - 22								