



PARTS CATALOGUE

EF3000iSE (7CH3) AFR,CHN,SEA

EF3000iSE (7CH3) AUS

EF3000iSE (7CH3) KOR,PER,PHL,SAU



2010-12-28

1C7CH-400E1

(2C7CH-400E1)

NEWS NO.	DATE	COMMENT
PE0-GE-090004	Nov.,18.,2009	EF3000iSE(7CH2,7CH3) PARTS CATAROGUE CORRECTIONS
PE0-GE-100022	Oct.,6.,2010	EF3000iSE/iSEB(7CH2,7CH3) PARTS CATAROGUE CORRECTIONS

EF3000iSE
PARTS CATALOGUE
©2004 by Yamaha Motor Co., Ltd.
1st edition, July 2004
All rights reserved.
Any reprinting or unauthorized use
without the written permission of
Yamaha Motor Co., Ltd.
is expressly prohibited.
Printed in Japan.

A3

FOREWORD

This Parts Catalogue is related to the parts for the model(s) on the cover page. When you are ordering replacement parts, please refer to this Parts Catalogue and quote both part numbers and part names correctly.

1. Modifications or additions which have been made after the issue of the Parts Catalogue will be announced in the Parts News.

It is advisable that you make the necessary corrections to the Parts Catalogue according to the Parts News.

2. Abbreviations

The following abbreviations are used in this Parts Catalogue.

“UR” Use specified parts number.

“UN” Use as many as needed.

“AP” Alternate Parts

“LM” Locally Made (Parts need to be ordered locally)

“F#” Frame No. (Applicable machine No.)

“O/S” Over Size

3. The number of components for assembly

- Parts, which are to be supplied in an assembly, are listed with a dot (.) in front of the part name as shown below.
- The numeral appearing to the right of each component part indicates the quantity of parts for each assembly unit.

PART NO.	DESCRIPTION	Q'TY	REMARKS
2F5-83310-60	FRONT FLASHER LIGHT ASSY	2	
115-83311-60	.BULB (6V-18W)	1	

4. Applicable colours of graphics are represented in the “REMARKS” as shown below.

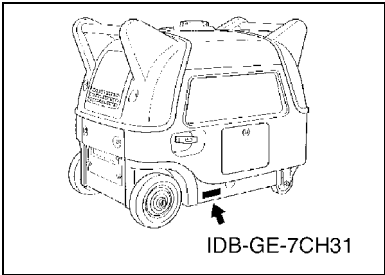
PART NO.	DESCRIPTION	Q'TY	REMARKS
2N4-24110-00-X5	FUEL TANK COMP.	2	MXR
3J1-24240-10	.GRAPHIC, FUEL TANK	1	FOR MXR

5. Note that the illustrations for reference in finding parts numbers are not to be used for assembling. When assembling, please use the applicable service manual.

6. The asterisk (*) before a reference number indicates modified items after the first edition.

FOREWORD

7. Applicable Serial No.
 Frame Serial No.



9. Applicable Starting Serial No.
 *****Serial NO.

Model	Model Code	Destination	Voltage	Serial NO.
EF3000iSE	7CH3	AFR,CHN,SEA	220V-50Hz	7CH-320101
EF3000iSE	7CH3	AUS	230V-50Hz	7CH-340101
EF3000iSE	7CH3	KOR,PEL,PHL,SAU	230V-60Hz	7CH-330101

8. Applicable Colour Code (The (*) mark shows Model colour.)

Abbreviation	Colour Name	Colour Code
PBS3(*)	PURPLISH BLUE SOLID 3	0714

CONTENTS

CYLINDER	B2
CRANKSHAFT & PISTON	B3
CAMSHAFT & VALVE	B4
AIR SHROUD & STARTER	B5
INTAKE	B6
CARBURETOR	B7
EXHAUST	B9
CRANKCASE	B10
FRAME	B11
FRAME 2	B12
FRAME 3	B14
FUEL TANK	C2
MAGNETO	C3
STARTING MOTOR	C4
GENERATOR	C5
CONTROL BOX	C6
LABELS	C9

INDEX

NUMERICAL INDEX	M1
-----------------------	----

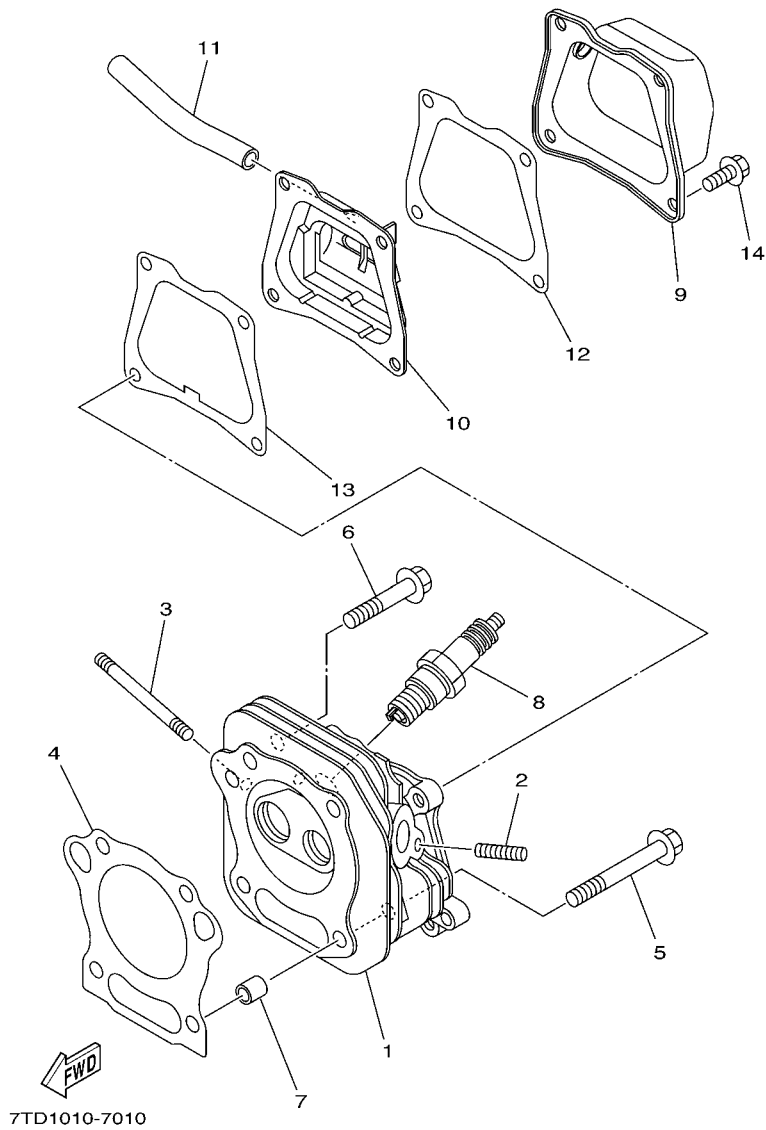
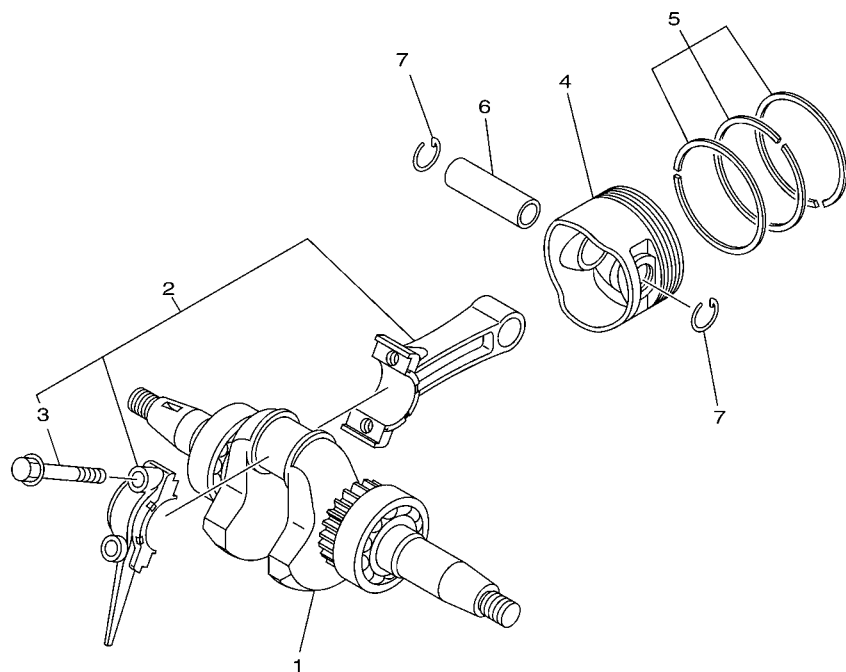


FIG. 1 CYLINDER

REF. NO.	PART NO.	DESCRIPTION	7CH8				REMARKS
1	7WL-11111-00	HEAD, CYLINDER 1	1				
2	95607-06615	BOLT, STUD	2				
3	90116-06493	BOLT, STUD	2				
4	7WC-11181-00	GASKET, CYLINDER HEAD 1	1				
5	95827-08065	BOLT, FLANGE	2				
6	95827-08045	BOLT, FLANGE	2				
7	99530-10114	PIN, DOWEL	2				
8	94702-00331	PLUG, SPARK (NGK BPR4ES)	1				
9	7NJ-11191-00	COVER, CYLINDER HEAD 1	1				
10	7NJ-11160-00	BREATHER ASSY	1				
11	90445-131J5	HOSE (L106)	1				
12	7NJ-11169-00	GASKET, BREATHER COVER	1				
13	7NJ-11193-00	GASKET, HEAD COVER 1	1				
14	95827-06012	BOLT, FLANGE	4				

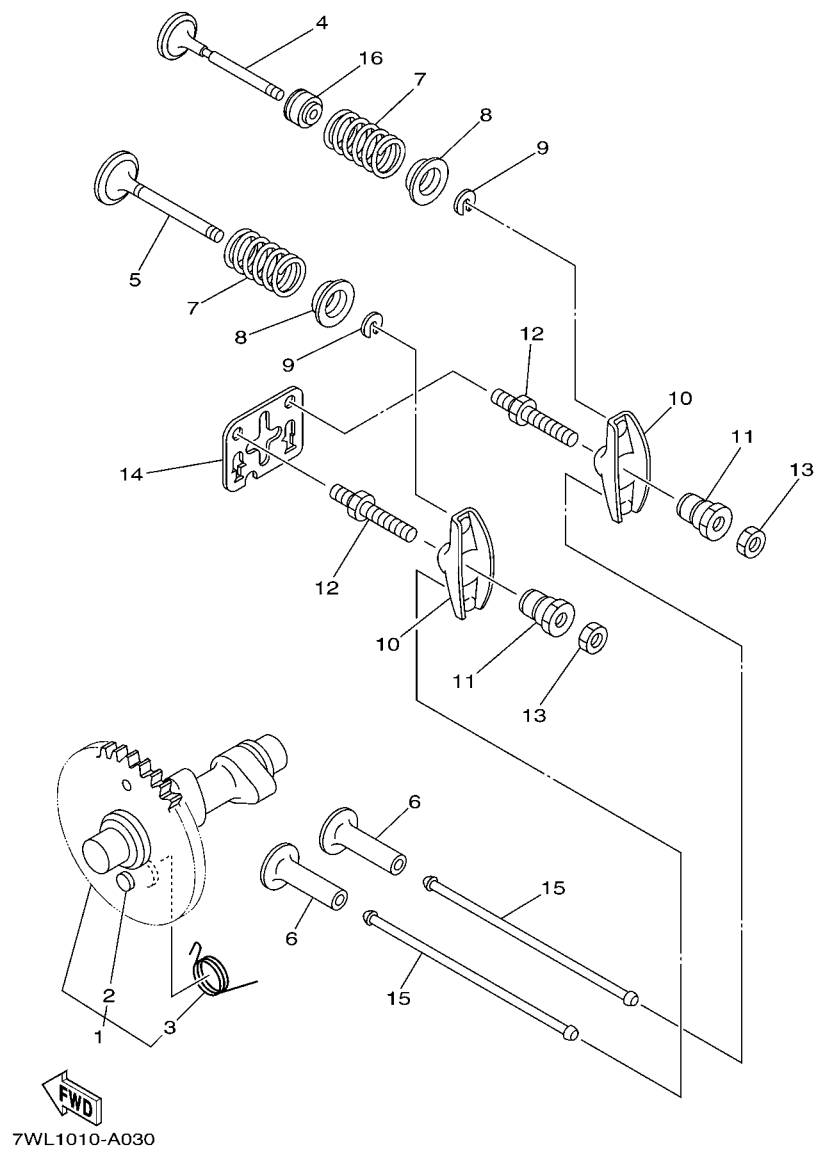
FIG. 2 CRANKSHAFT & PISTON



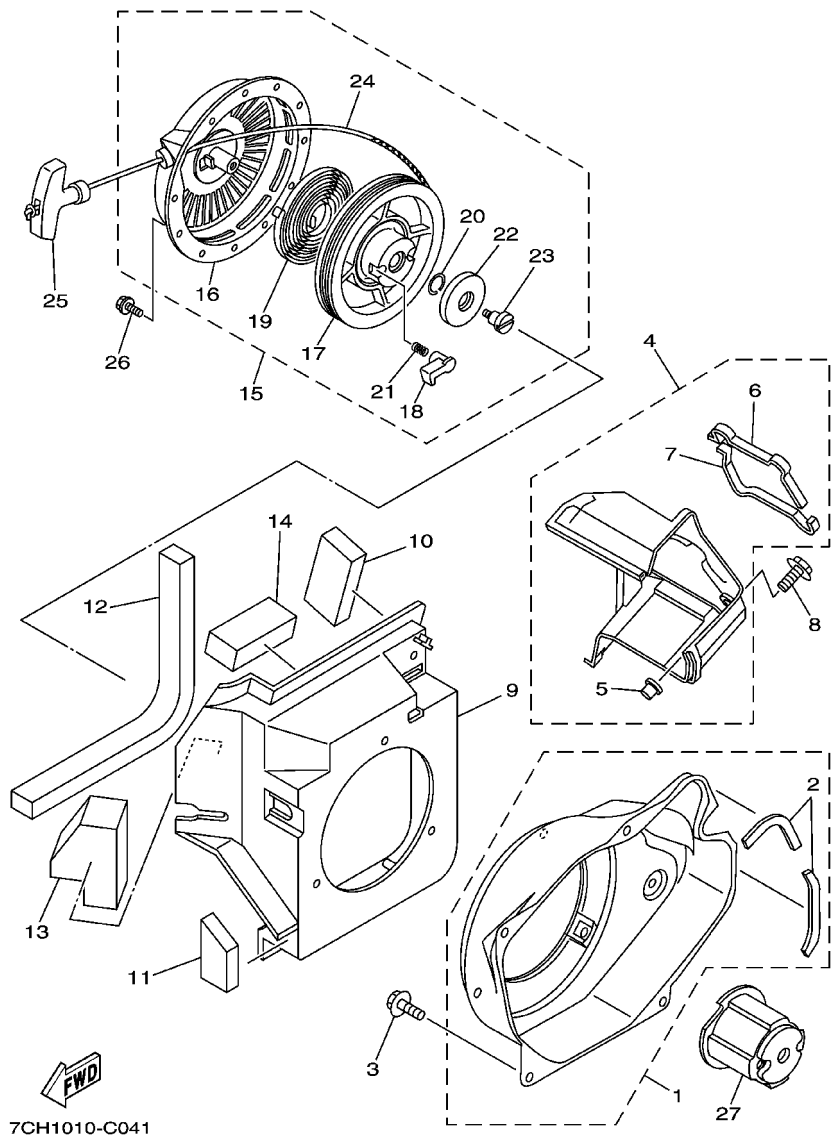
7WL1010-A020

REF. NO.	PART NO.	DESCRIPTION	7CH8				REMARKS
1	7WL-11400-00	CRANKSHAFT ASSY	1				
2	7NJ-11650-00	CONNECTING ROD ASSY	1				
3	JA9-11654-01	.BOLT, CONNECTING ROD	2				
4	7NJ-11631-00-98	PISTON (STD)	1				
	7NJ-11635-00	PISTON (0.25MM O/S)	1				AP
	7NJ-11636-00	PISTON (0.50MM O/S)	1				AP
5	7WC-11610-00	PISTON RING SET (STD)	1				
	7WC-11604-00	PISTON RING SET (0.25MM O/S)	1				AP
	7WC-11605-00	PISTON RING SET (0.50MM O/S)	1				AP
6	4H7-11633-00	PIN, PISTON	1				
7	93450-17025	CIRCLIP	2				

FIG. 3 CAMSHAFT & VALVE



REF. NO.	PART NO.	DESCRIPTION	7CH8				REMARKS
1	7NJ-12170-03	CAMSHAFT ASSY 1	1				
2	7NJ-12299-01	.BOLT, STOPPER	1				
3	7NJ-12287-00	.SPRING, DECOMPRESSION	1				
4	7NJ-12111-00	VALVE, INTAKE	1				
5	7NJ-12121-00	VALVE, EXHAUST	1				
6	7WC-12153-00	LIFTER, VALVE	2				UR
	JA9-12153-10	LIFTER, VALVE	2				UR
7	90501-205J4	SPRING, COMPRESSION	2				
8	7NJ-12117-00	RETAINER, VALVE SPRING	2				
9	7NJ-12118-00	COTTER, VALVE	2				
10	7NN-12151-00	ARM, VALVE ROCKER	2				
11	7NN-12165-02	PIVOT, ROCKER ARM	2				
12	7FK-12157-00	BOLT	2				
13	7FK-12158-00	NUT, LOCK	2				
14	7NJ-12155-01	GUIDE, PUSH ROD	1				
15	7NJ-12154-00	ROD, VALVE PUSH	2				
16	51Y-12119-00	SEAL, VALVE STEM	1				



7CH1010-C041

FIG. 4 AIR SHROUD & STARTER

REF. NO.	PART NO.	DESCRIPTION	7CH3				REMARKS
1	7WL-12610-00	FAN CASE ASSY	1				
2	7TD-1262J-00	.PAD, FAN CASE 3	2				
3	95807-06012	BOLT, FLANGE	4				
4	7CH-12620-00	AIR SHROUD ASSY	1				
5	90387-073M0	.COLLAR	1				
6	7TD-12658-00	.DAMPER, AIR SHROUD 1	1				
7	7TD-12659-00	.DAMPER, AIR SHROUD 2	1				
8	95807-06012	BOLT, FLANGE	1				
9	7CP-E2616-00	COVER, FAN CASE	1				
10	7WL-12684-00	DAMPER, DUCT 1	1				
11	7WL-12685-00	DAMPER, DUCT 2	1				
12	7WL-12686-00	DAMPER, DUCT 3	1				
13	7WL-12223-00	SEAL	1				
14	7WL-12877-00	SEAL	1				
15	7WL-15710-01	STARTER ASSY	1				
16	7WL-15711-01	.CASE, STARTER	1				
17	7VU-15714-00	.DRUM, SHEAVE	1				
18	JL8-15741-00	.PAWL, DRIVE	2				
19	7TA-15713-00	.SPRING, STARTER	1				
20	7TA-15715-00	.SPRING, FRICTION	1				
21	JK4-15743-00	.SPRING, RETURN	2				
22	7VU-15716-00	.PLATE, DRIVE	1				
23	7NJ-15793-00	.SCREW	1				
24	7VU-15751-00	.WIRE, STARTER	1				
25	7TD-15755-00	HANDLE, STARTER	1				
26	95807-06020	BOLT, FLANGE	3				
27	7WL-15723-00	PULLEY, STARTER	1				

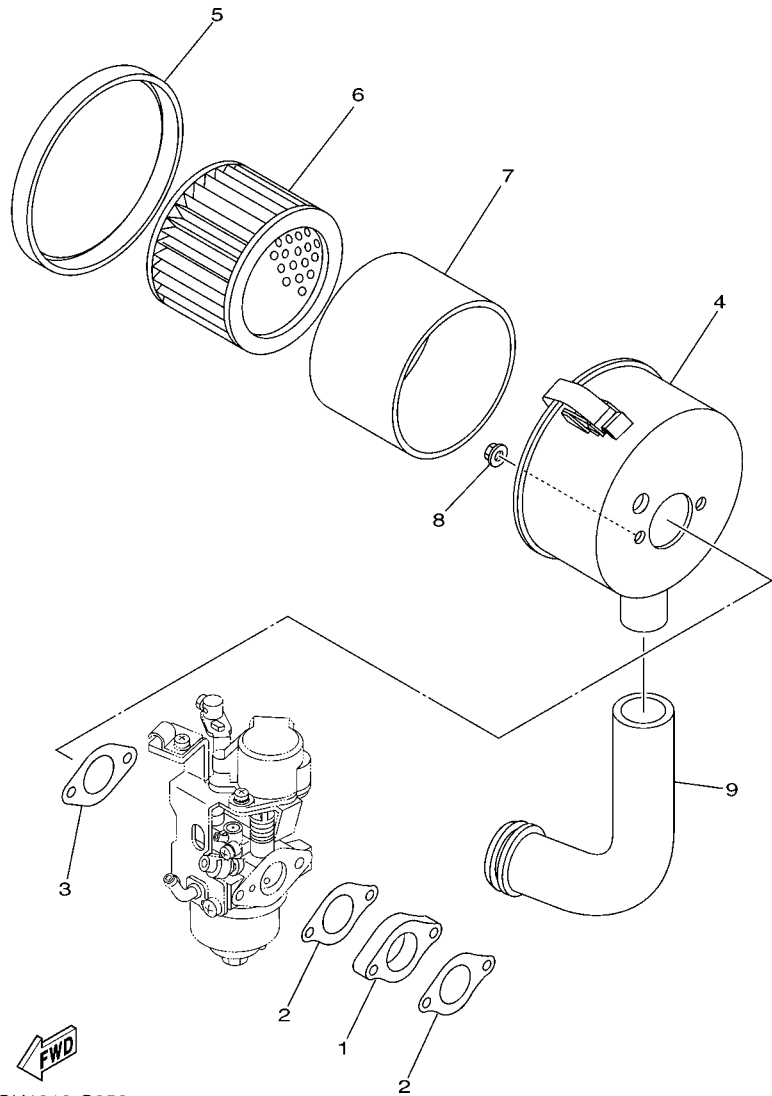
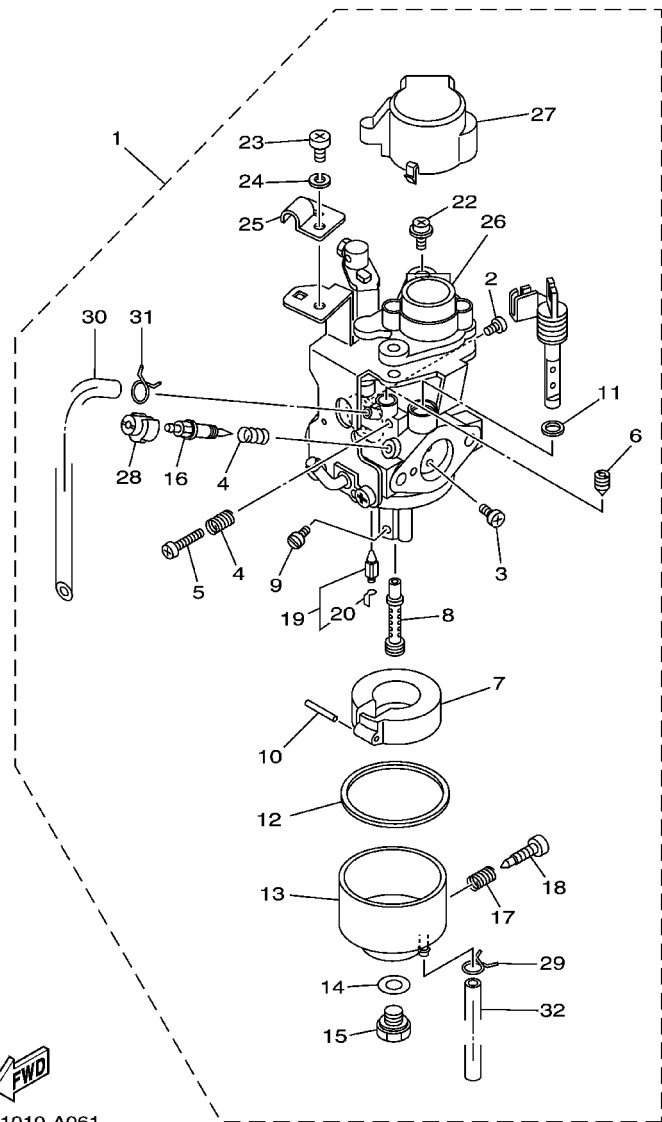


FIG. 5 INTAKE

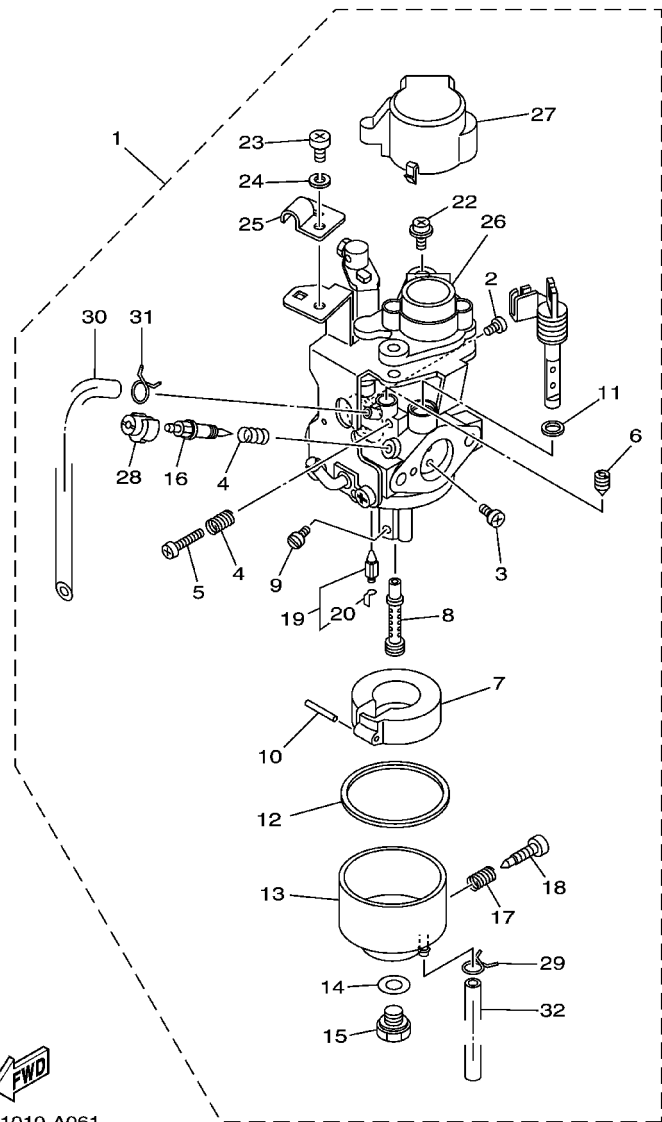
REF. NO.	PART NO.	DESCRIPTION	7CH8					REMARKS
1	7NJ-13596-00	JOINT, CARBURETOR 2	1					
2	7NJ-13557-00	GASKET	2					
3	7NJ-13567-00	GASKET	1					
4	7CH-14411-C0	CASE, AIR CLEANER 1	1					
5	7CH-14472-C0	PLATE, ELEMENT	1					
6	7CH-14451-C0	ELEMENT, AIR CLEANER	1					
7	7CH-14461-C0	ELEMENT, AIR CLEANER 2	1					
8	95707-06500	NUT, FLANGE	2					
9	7CH-14453-00	JOINT, AIR CLEANER 1	1					



7WL1010-A061

FIG. 6 CARBURETOR

REF. NO.	PART NO.	DESCRIPTION	7CH8				REMARKS
1	7WL-14101-01	CARBURETOR ASSY 1	1				
2	7RH-14216-00	.SCREW	2				
3	7RH-14486-00	.SCREW, ROD	2				
4	73A-14212-00	.SPRING	2				
5	1WG-14922-00	.SCREW, THROTTLE	1				
6	620-14142-37-A0	.JET, PILOT (#37.5)	1				
7	7LG-14185-00	.FLOAT	1				
8	7NN-1495F-1B	.NOZZLE, MAIN	1				
9	1HX-1423E-40-A0	.JET, MAIN (#101.3)	1				
10	22F-14186-00	.PIN, FLOAT	1				
11	7X9-14239-00	.SEAL	1				
12	7G0-14184-00	.GASKET, FLOAT CHAMBER	1				
13	7TD-14181-00	.BODY, FLOAT CHAMBER 1	1				
14	7G0-14227-00	.WASHER	1				
15	7TD-14162-00	.BOLT, HOLDING	1				
16	7NJ-14211-00	.SCREW, PILOT ADJUSTING	1				
17	73A-14212-00	.SPRING	1				
18	7E1-14191-00	.PLUG, DRAIN	1				
19	7LG-14150-11	.NEEDLE ASSY	1				
20	7EG-14159-00	..CLIP	1				
22	4SV-24453-00	.SCREW	2				
23	98507-05008	.SCREW, PAN HEAD	1				
24	92990-05100	.WASHER, SPRING	1				
25	J45-14243-00	.PLATE	1				
26	7CF-81802-09	.MOTOR UNIT ASSY	1				
27	7VU-14293-00	.COVER 1	1				



7WL1010-A061

FIG. 6 CARBURETOR

REF. NO.	PART NO.	DESCRIPTION	7CH8				REMARKS
28	7LV-14118-00	.CAP	1				
29	22F-14139-00	.CLIP, PIPE	1				
30	7WL-14197-00	.PIPE	1				
31	14X-14937-00	.CLIP	1				
32	1V3-14196-00	.PIPE	1				

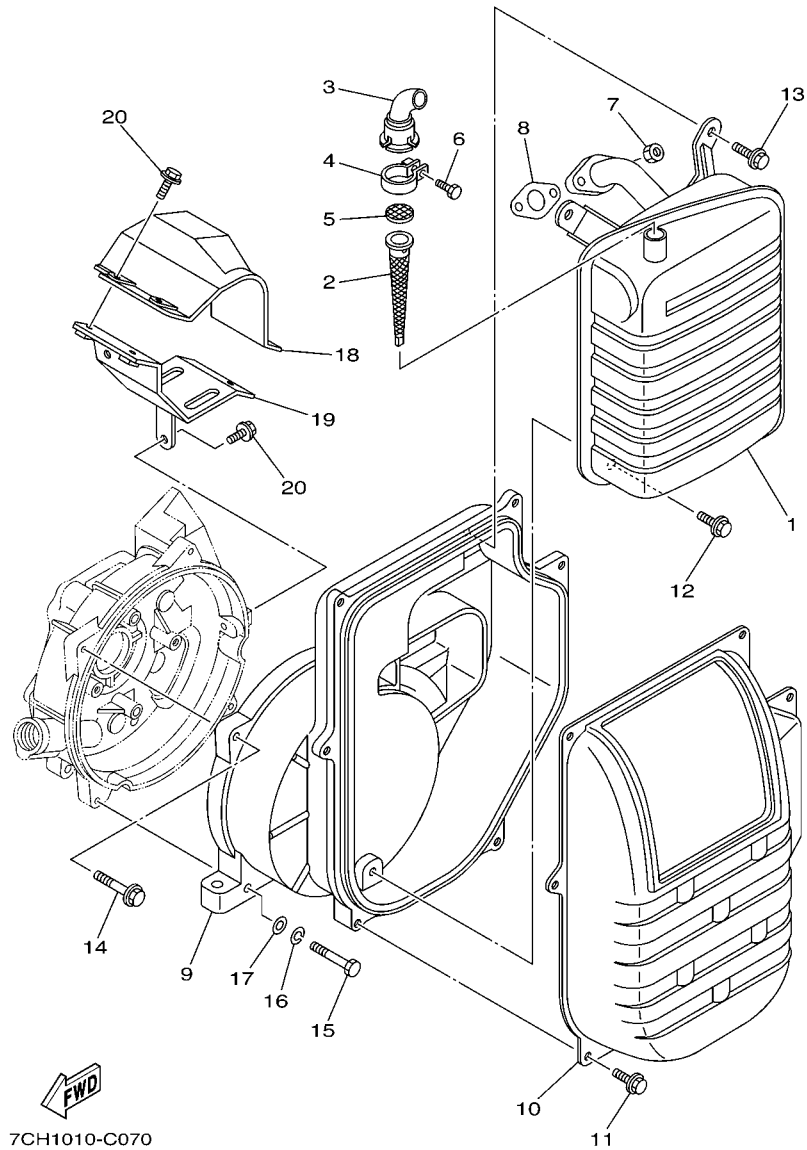


FIG. 7 EXHAUST

REF. NO.	PART NO.	DESCRIPTION	7CH8				REMARKS
1	7CH-14711-00	MUFFLER 1	1				
2	7WL-14786-00	ARRESTER, SPARK	1				
3	7WL-14799-00	CAP	1				
4	7NJ-14788-00	BAND, SILENCER	1				
5	7NJ-1479E-00	NET, WIRE 2	1				
6	90153-05024	SCREW, HEXAGON	1				
7	95307-06600	NUT	2				
8	JA9-14613-00	GASKET, EXHAUST PIPE	1				
9	7WL-14627-00	COVER, EXHAUST	1				
10	7CH-14637-00	EXHAUST COVER ASS'Y	1				
11	95807-06012	BOLT, FLANGE	6				
12	95807-08012	BOLT, FLANGE	1				
13	95807-08016	BOLT, FLANGE	2				
14	95807-06030	BOLT, FLANGE	3				
15	97007-06045	BOLT	1				
16	92907-06100	WASHER, SPRING	1				
17	92907-06600	WASHER, PLATE	1				
18	7WL-12690-00	DUCT COMP.	1				
19	7WL-14430-00	DUCT ASSY	1				
20	95807-06012	BOLT, FLANGE	5				

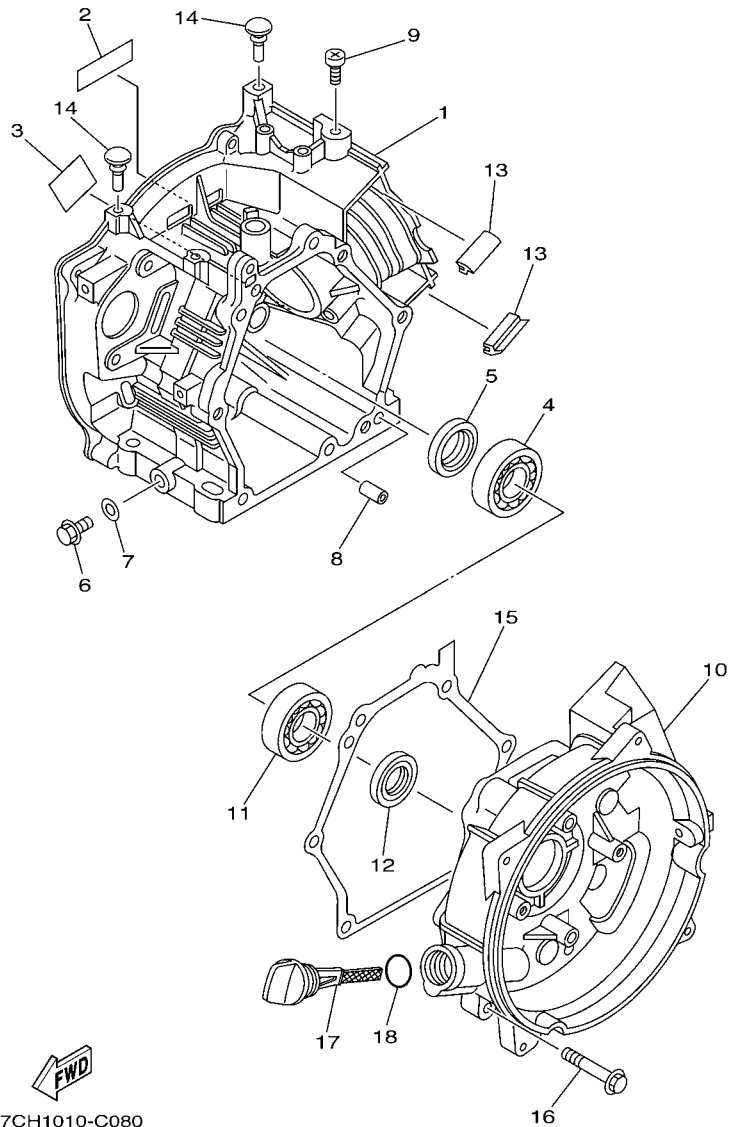


FIG. 8 CRANKCASE

REF. NO.	PART NO.	DESCRIPTION	7CH8				REMARKS
1	7WL-15111-00	CRANKCASE 1	1				
2	7TD-15315-00	SEAL, CRANKCASE	1				
3	7TD-15379-00	SEAL	1				
4	93306-20511	BEARING	1				
5	93102-25090	OIL SEAL	1				
6	95027-10016	BOLT, FLANGE	1				
7	90430-10188	GASKET	1				
8	99530-08016	PIN, DOWEL	2				
9	98507-08012	SCREW, PAN HEAD	1				
10	7WL-15411-00	COVER, CRANKCASE 1	1				
11	93306-20511	BEARING	1				
12	93102-25090	OIL SEAL	1				
13	7TD-15494-00	SEAL, PROTECTOR	2				
14	90338-06181	PLUG	2				
15	7NJ-15451-00	GASKET, CRANKCASE COVER 1	1				
16	95827-08035	BOLT, FLANGE	6				
17	7UH-15362-00	PLUG, OIL LEVEL	1				
18	93210-22344	O-RING	1				

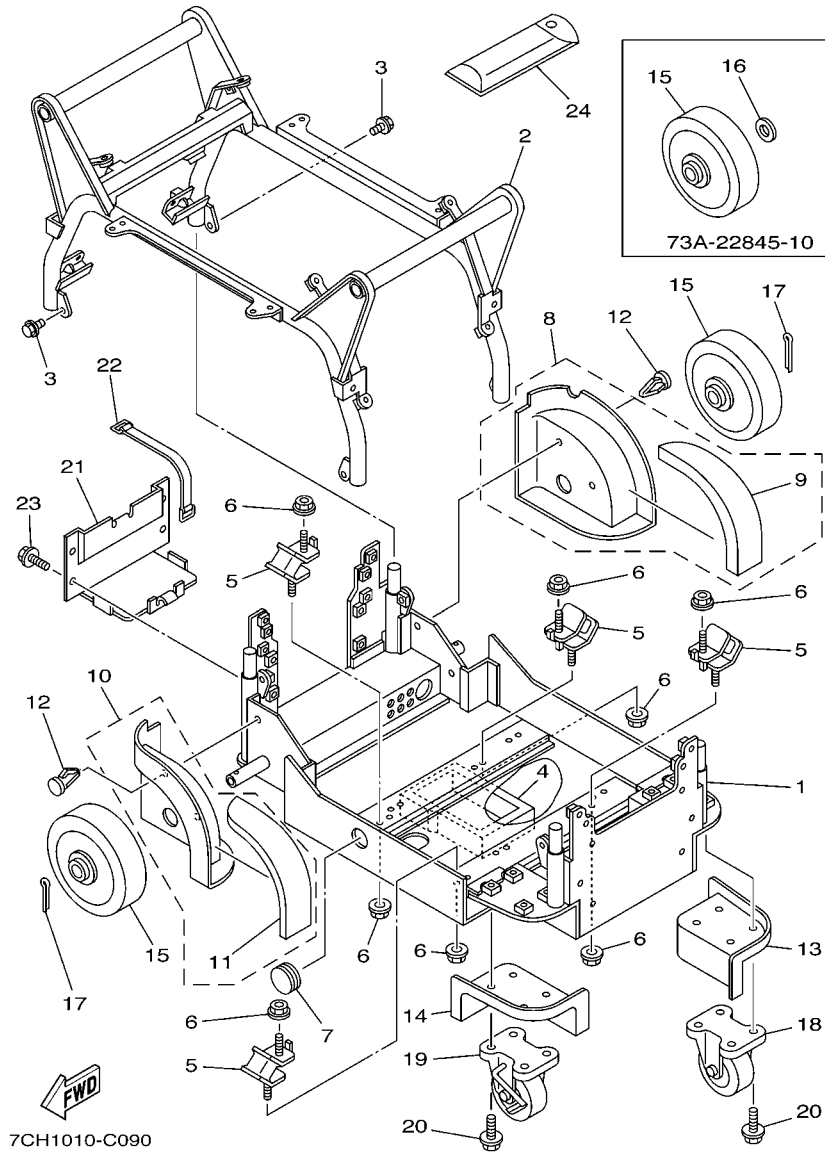


FIG. 9 FRAME

REF. NO.	PART NO.	DESCRIPTION	7CH3				REMARKS
1	7WL-22840-01	FRAME, CARRIER COMP.	1				
2	7WL-22850-00	FRAME, CARRIER COMP.	1				
3	95807-06012	BOLT, FLANGE	4				
4	7WL-2289L-00	SEAL 22	1				
5	7LG-22891-00	INSULATOR, MOUNTING	4				
6	95707-08500	NUT, FLANGE	8				
7	90338-28239	PLUG	1				
8	7WL-21600-00	REAR FENDER ASSY.	1				
9	7WL-21541-00	.DAMPER 1	1				
10	7WL-21600-10	REAR FENDER ASSY.	1				
11	7WL-21542-00	.DAMPER 2	1				
12	90269-10002	RIVET	4				
13	7WL-21556-00	FENDER, FRONT 2	1				
14	7WL-21556-10	FENDER, FRONT 2	1				
15	7CH-23781-C0	WHEEL	2				UR
	73A-22845-10	CASTER 1	2				UR NO.16 SET USED
16	90202-22238	WASHER, PLATE	2				UR FOR 73A2284510
17	91401-30040	PIN, COTTER	2				
18	7TD-22845-00	CASTER 1	1				
19	7CH-22846-00	CASTER 2	1				
20	95807-08016	BOLT, FLANGE	8				
21	7WL-82122-00	SEAT, BATTERY	1				
22	3V6-82131-00	BAND, BATTERY	1				
23	95807-06012	BOLT, FLANGE	4				
24	7TA-28100-00	TOOL KIT	1				

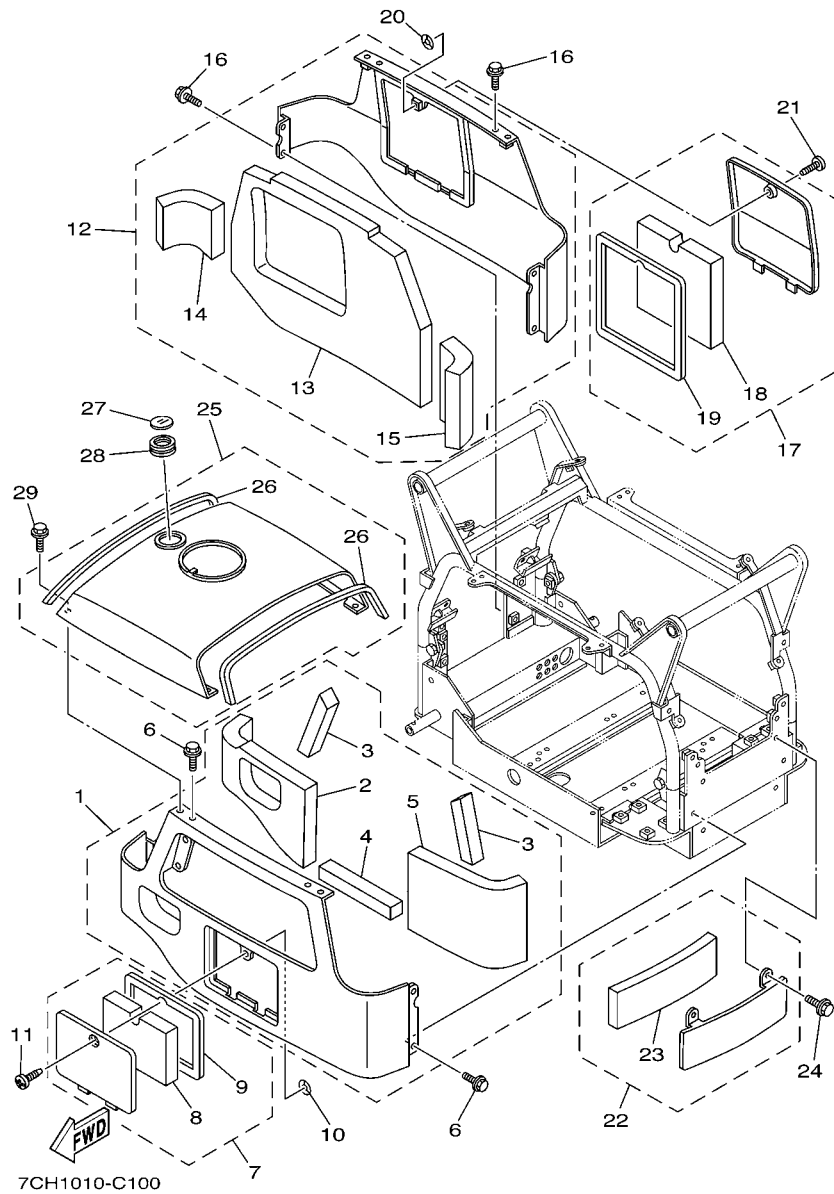
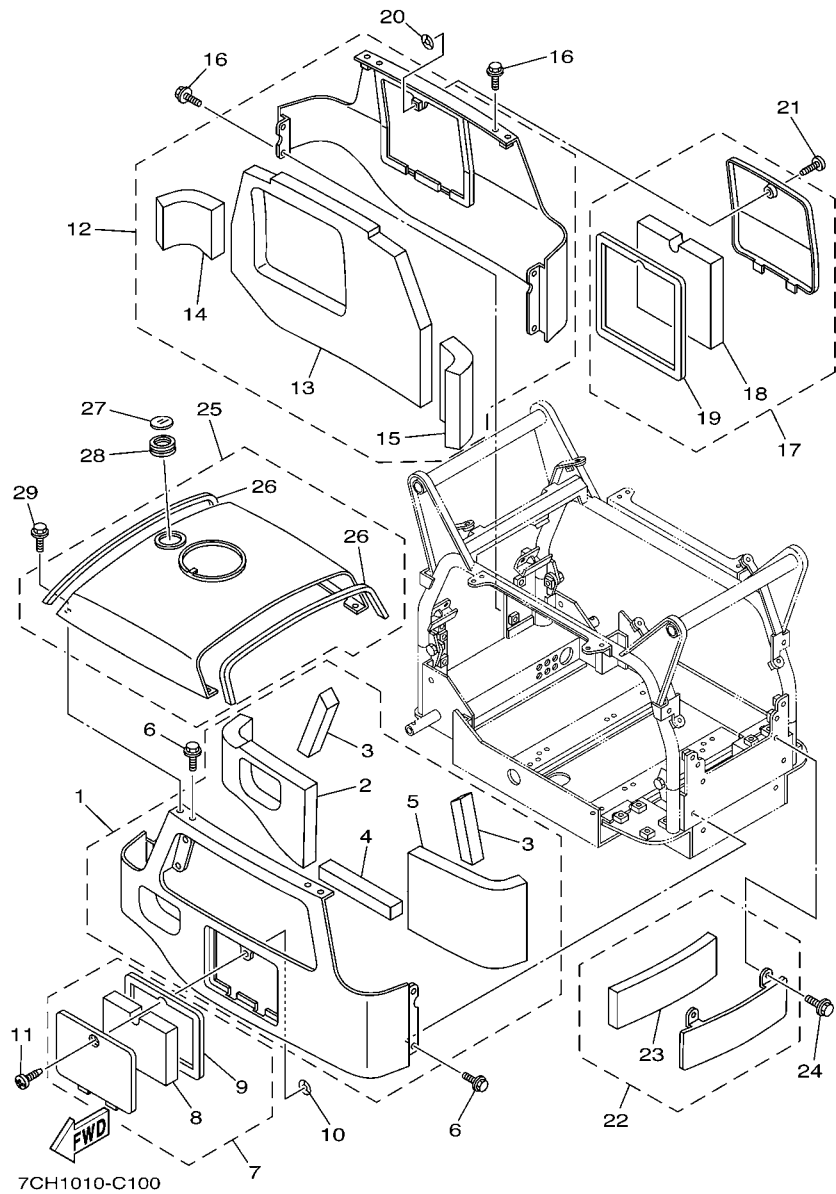


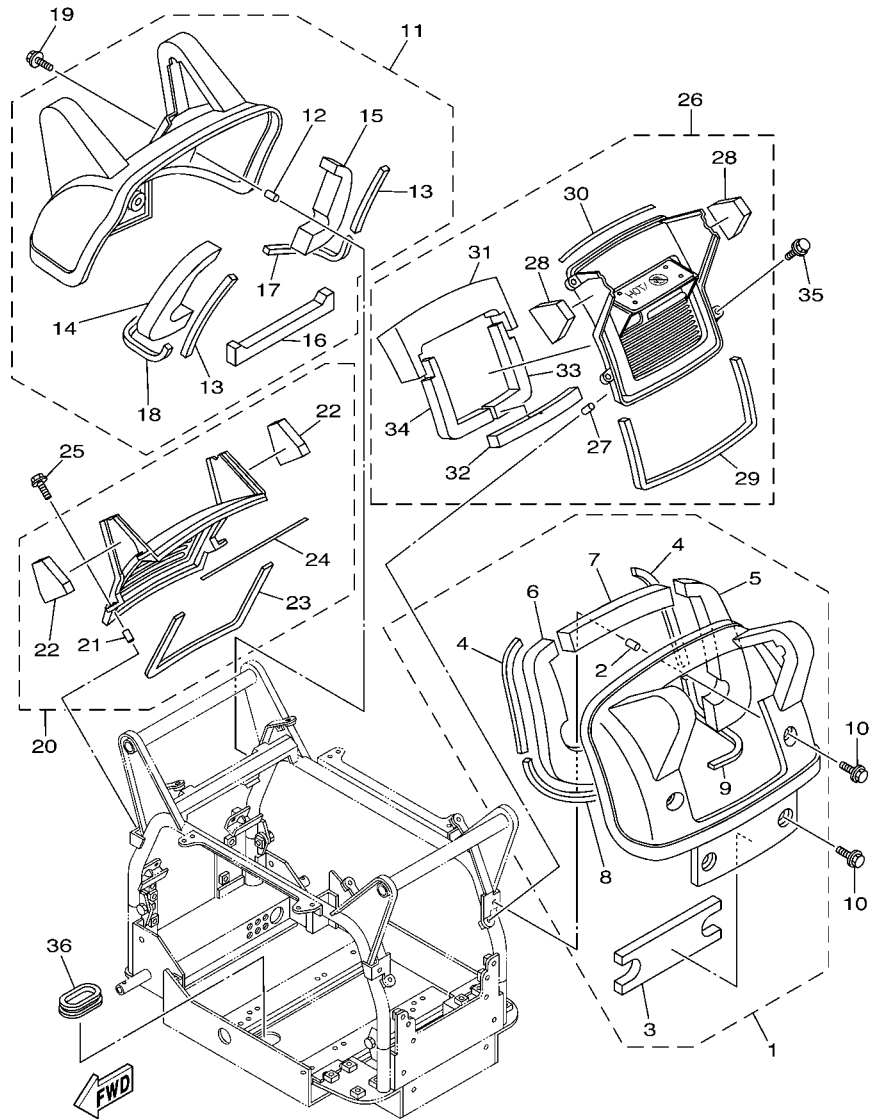
FIG. 10 FRAME 2

REF. NO.	PART NO.	DESCRIPTION	7CH3				REMARKS
1	7CH-228A0-00-P0	COVER ASSY 1	1				PBS3
2	7CH-22873-00	.SEAL 1	1				
3	7CH-22897-00	.SEAL 14	2				
4	7CH-2289N-00	.SEAL 24	1				
5	7CH-2289R-00	.SEAL 25	1				
6	95807-06012	BOLT, FLANGE	6				
7	7CH-228B0-00-P0	COVER ASSY 2	1				PBS3
8	7CH-22874-00	.SEAL 2	1				
9	7WL-2281E-00	.SEAL, RUBBER 2	1				
10	4U5-2176E-00	PLATE	1				
11	90149-06194	SCREW	1				
12	7CH-228C0-00-P0	COVER ASSY 3	1				PBS3
13	7CH-22876-00	.SEAL 4	1				
14	7CH-2289T-00	.SEAL 26	1				
15	7CH-2289U-00	.SEAL, 7	1				
16	95807-06012	BOLT, FLANGE	6				
17	7CH-228D0-00-P0	COVER ASSY 4	1				PBS3
18	7CH-22877-00	.SEAL 5	1				
19	7WL-2281F-00	.SEAL, RUBBER 3	1				
20	4U5-2176E-00	PLATE	1				
21	90149-06194	SCREW	1				
22	7WL-228E0-00-P0	COVER ASSY 5	1				PBS3
23	7WL-22878-00	.SEAL 6	1				
24	95807-06010	BOLT, FLANGE	4				
25	7WL-228F0-00-P0	COVER ASSY 6	1				PBS3
26	7WL-22875-00	.SEAL 3	2				
27	7WL-21764-00	LENS, LEVEL GAUGE	1				

FIG. 10 FRAME 2



REF. NO.	PART NO.	DESCRIPTION	7CH3				REMARKS
28	7WL-21773-00	GROMMET	1				
29	95807-06012	BOLT, FLANGE	4				

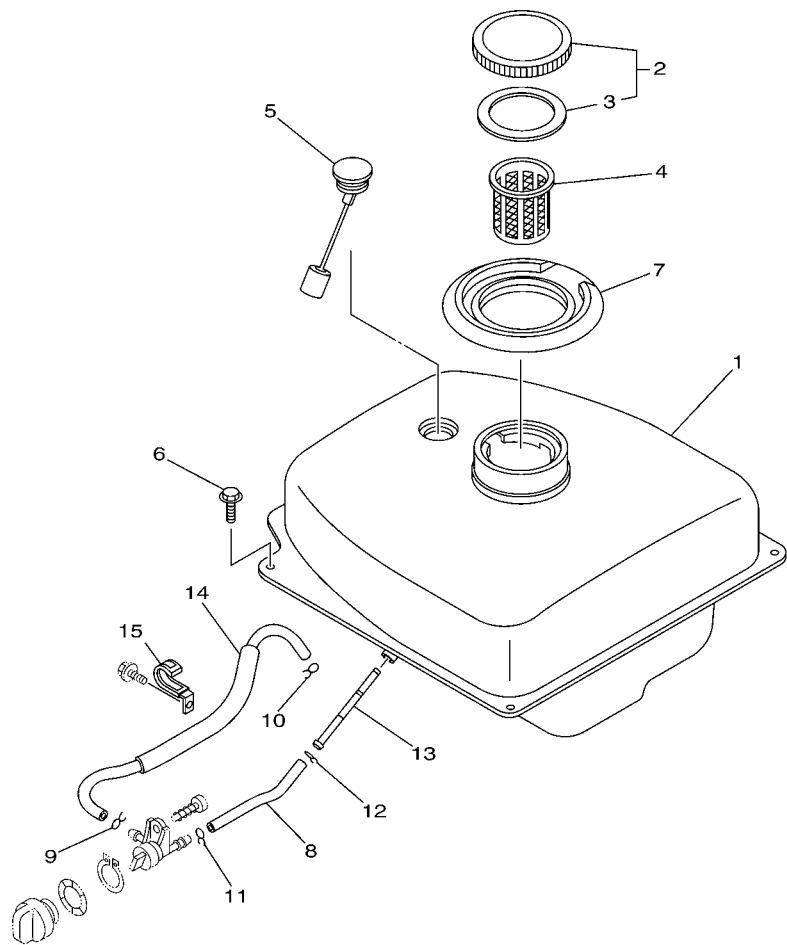


7CH1010-C110

FIG. 11 FRAME 3

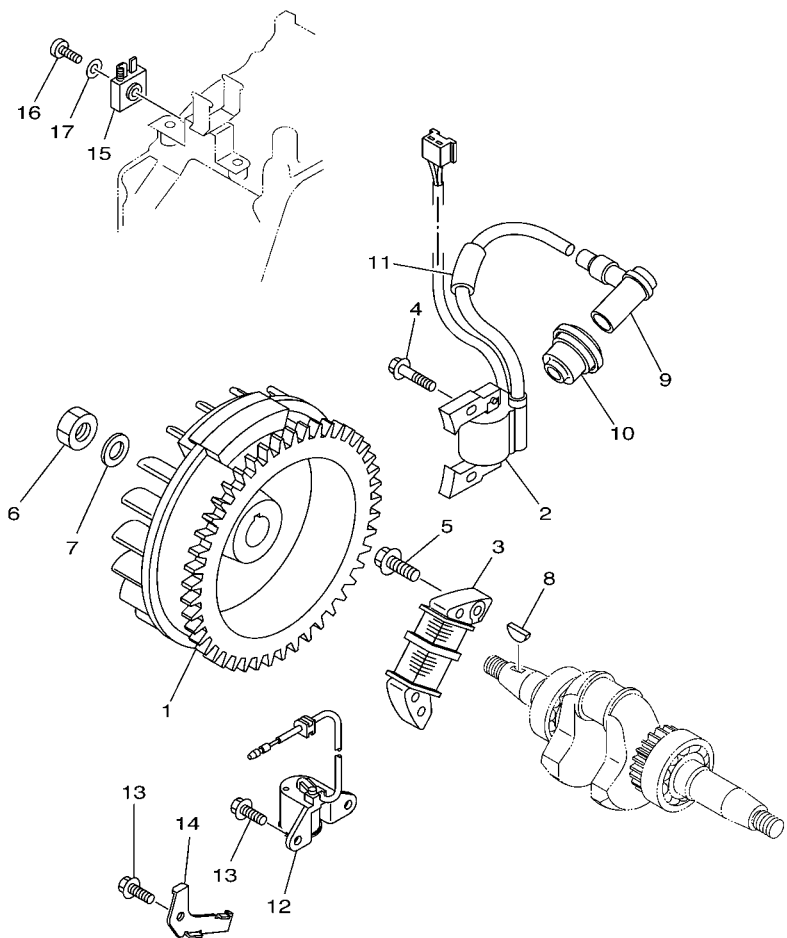
REF. NO.	PART NO.	DESCRIPTION	7CH3				REMARKS
1	7CH-228G0-00	COVER ASSY 7	1				
2	7WL-23363-00	.COLLAR 1	4				
3	7CH-22879-00	.SEAL 7	1				
4	7WL-22885-00	.SEAL 8	2				
5	7CH-22886-00	.SEAL 9	1				
6	7CH-22887-00	.SEAL 10	1				
7	7CH-22889-00	.SEAL 12	1				
8	7WL-2289F-00	.SEAL 17	1				
9	7WL-2289G-00	.SEAL 18	1				
10	95807-06014	BOLT, FLANGE	4				
11	7CH-228H0-00	COVER ASSY 8	1				
12	7WL-23363-00	.COLLAR 1	4				
13	7WL-22885-00	.SEAL 8	2				
14	7CH-22886-00	.SEAL 9	1				
15	7CH-22887-00	.SEAL 10	1				
16	7WL-22899-00	.SEAL 15	1				
17	7WL-2289F-00	.SEAL 17	1				
18	7WL-2289G-00	.SEAL 18	1				
19	95807-06014	BOLT, FLANGE	4				
20	7WL-228J0-00	COVER ASSY 9	1				
21	7WL-23363-00	.COLLAR 1	4				
22	7WL-22888-00	.SEAL 11	2				
23	7WL-22896-00	.SEAL 13	1				
24	7WL-2289A-00	.SEAL 16	1				
25	95807-06014	BOLT, FLANGE	4				
26	7WL-228K0-00	COVER ASSY 10	1				
27	7WL-23363-00	.COLLAR 1	4				

FIG. 12 FUEL TANK



7WL1010-A120

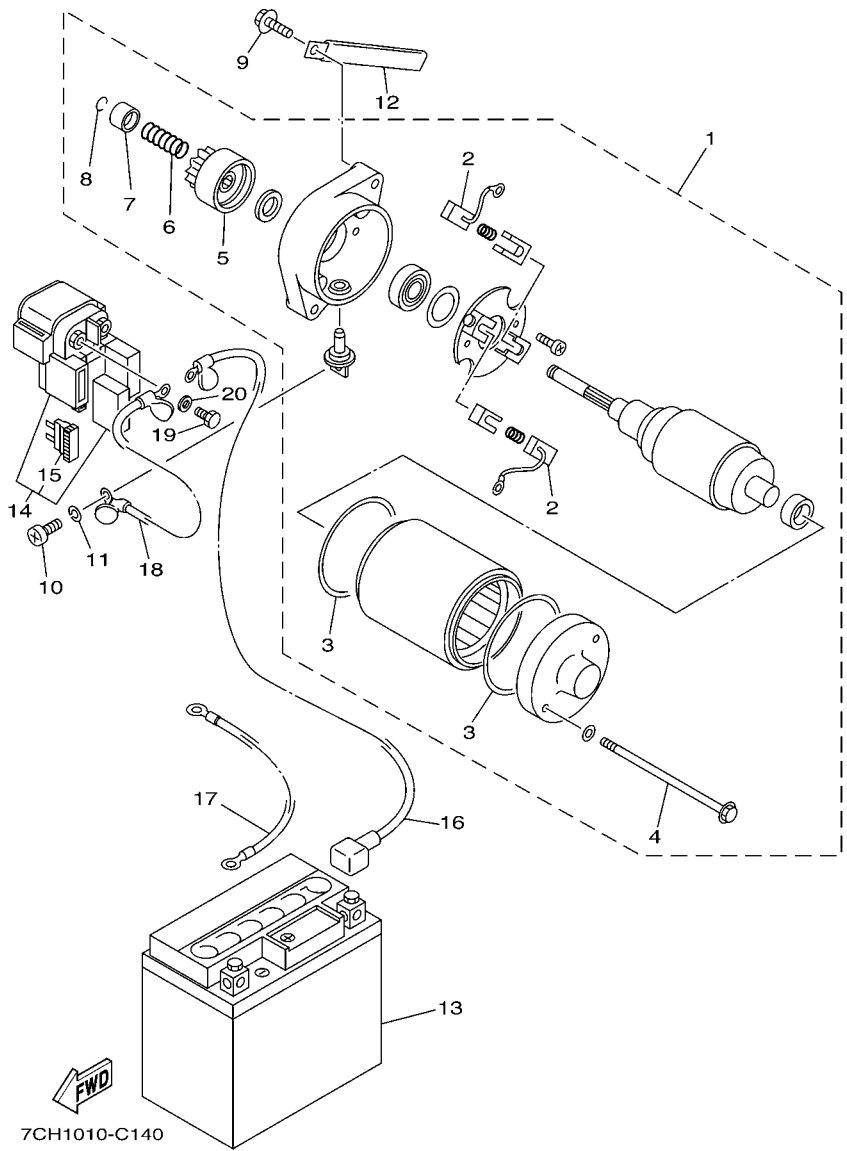
REF. NO.	PART NO.	DESCRIPTION	7CH8				REMARKS
1	7WL-24110-00	FUEL TANK COMP.	1				
2	74T-24610-00	CAP ASSY	1				
3	796-24612-00	.GASKET, CAP	1				
4	630-24167-00	STRAINER	1				
5	7A9-85710-02	FUEL LEVEL GAUGE ASSY	1				
6	95807-06012	BOLT, FLANGE	4				
7	7WL-2414G-00	SEAL	1				
8	7WL-24311-00	PIPE, FUEL 1	1				
9	90467-08002	CLIP	1				
10	90467-09103	CLIP	1				
11	90467-10008	CLIP	1				
12	90467-11106	CLIP	1				
13	5BM-24514-00	NET, FILTER 1	1				
14	7WL-24312-00	PIPE 2	1				
15	90462-05061	CLAMP	1				



7CH1010-C130

FIG. 13 MAGNETO

REF. NO.	PART NO.	DESCRIPTION	7CH8				REMARKS
1	7TD-85650-00	ROTOR ASSY	1				
2	7WL-85640-01	T.C.I. UNIT ASSY	1				
3	7WL-85521-00	COIL ASSY	1				
4	95827-06020	BOLT, FLANGE	2				
5	95827-06025	BOLT, FLANGE	2				
6	90170-14403	NUT	1				
7	92907-14200	WASHER	1				
8	90280-04052	KEY, WOODRUFF	1				
9	JN6-82370-00	PLUG CAP ASSY	1				
10	JE8-82372-00	SEAL, PLUG CAP	1				
11	7TD-82373-00	SEAL, HIGH TENSION CORD	1				
12	7NJ-85720-02	OIL LEVEL GAUGE ASSY	1				
13	95827-06012	BOLT, FLANGE	3				
14	7NJ-85724-00	CLAMP	1				
15	353-81970-M0	RECTIFIER ASSY	1				
16	98507-06020	SCREW, PAN HEAD	1				
17	92907-06600	WASHER, PLATE	1				

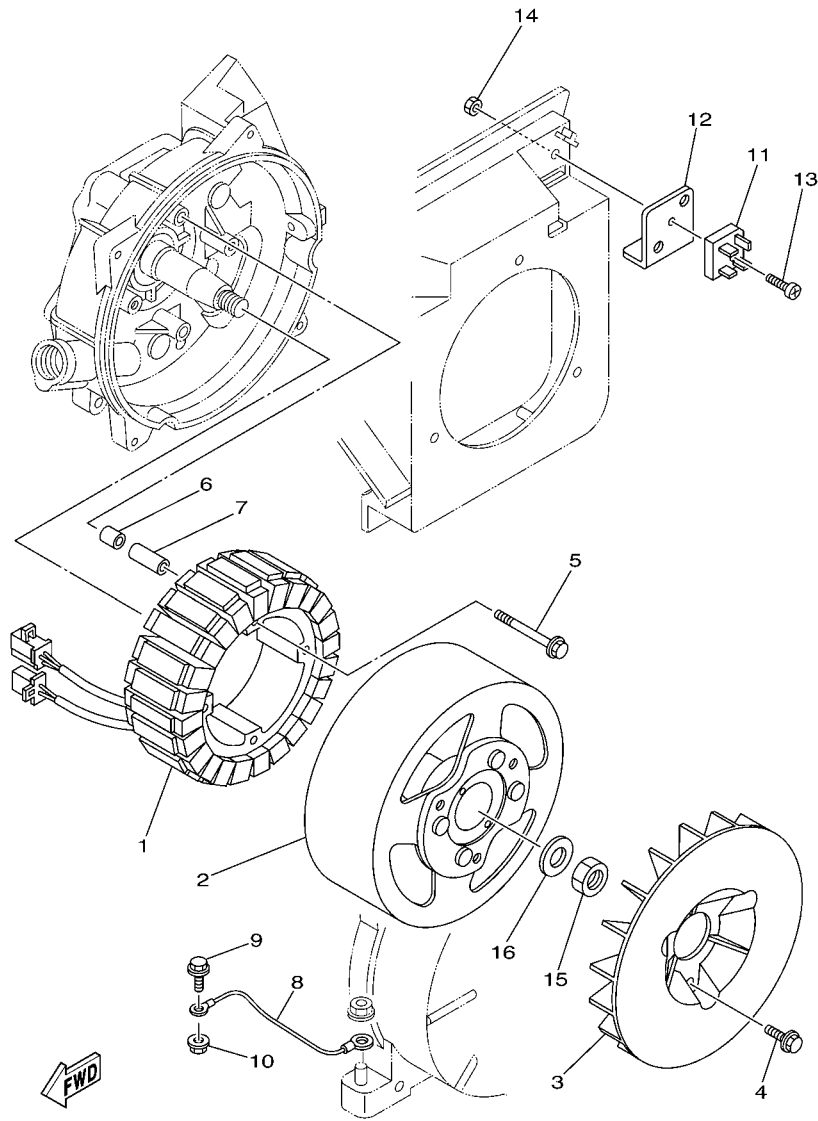


7CH1010-C140

FIG. 14 STARTING MOTOR

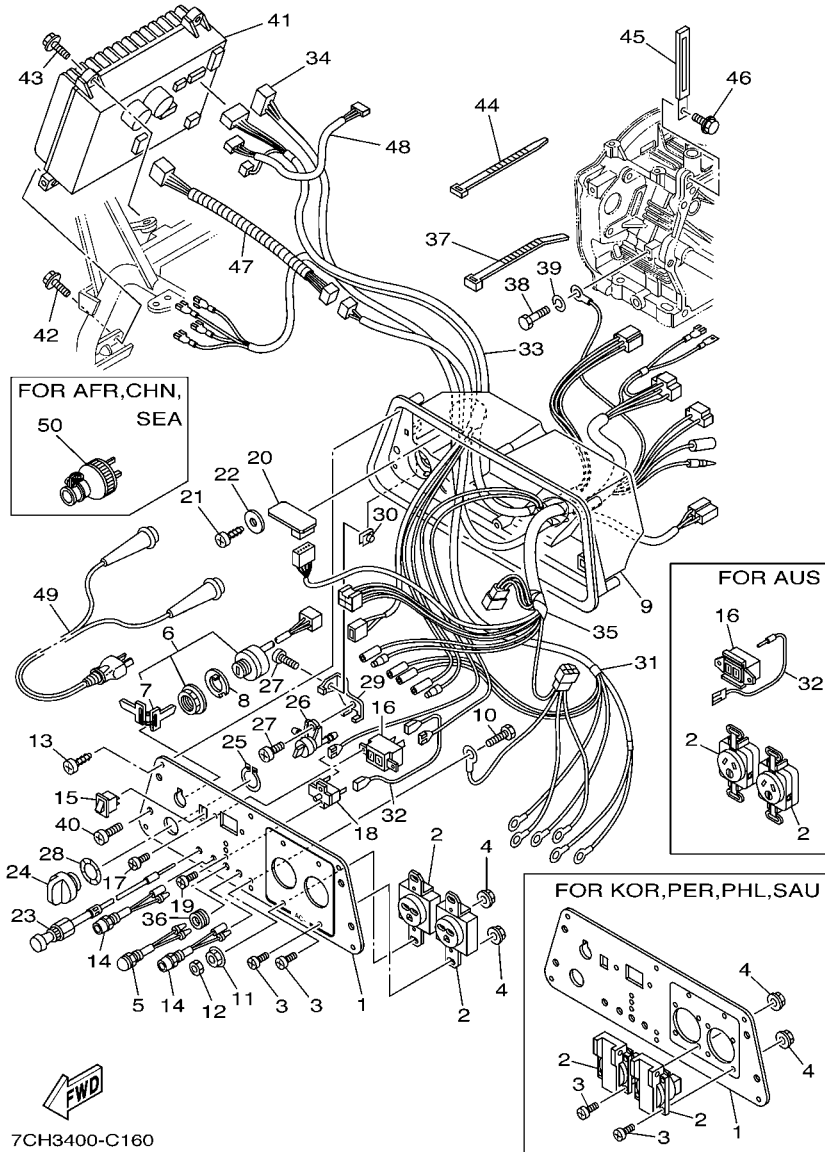
REF. NO.	PART NO.	DESCRIPTION	7CH8				REMARKS
1	7TD-81800-00	STARTING MOTOR ASSY	1				
2	50M-81801-M0	.BRUSH SET	1				
3	7LY-8181Y-00	.GASKET, YOKE	2				
4	7LY-81828-00	.BOLT 2	2				
5	7TD-81807-00	.GEAR ASSY, STARTING MOTOR	1				
6	JĒ0-81858-00	.SPRING, RETURN	1				
7	XD7-81859-00	.STOPPER, PINION	1				
8	XD4-81833-00	.RING, STOP	1				
9	95827-06020	BOLT, FLANGE	2				
10	98507-05008	SCREW, PAN HEAD	1				
11	92907-05100	WASHER, SPRING	1				
12	90462-05061	CLAMP	1				
13	3VD-82100-01	BATTERY ASSY (YTX12-BS)	1				
14	3EL-81940-01	STARTER RELAY ASSY	1				
15	42X-82151-00	.FUSE (10A-BL)	2				
16	7WL-82115-00	WIRE, PLUS LEAD	1				
17	7WL-82116-00	WIRE, MINUS LEAD	1				
18	7WL-81815-00	CORD, STARTER MOTOR	1				
19	97007-06010	BOLT	2				
20	92907-06600	WASHER, PLATE	2				

FIG. 15 GENERATOR



7CH1010-C150

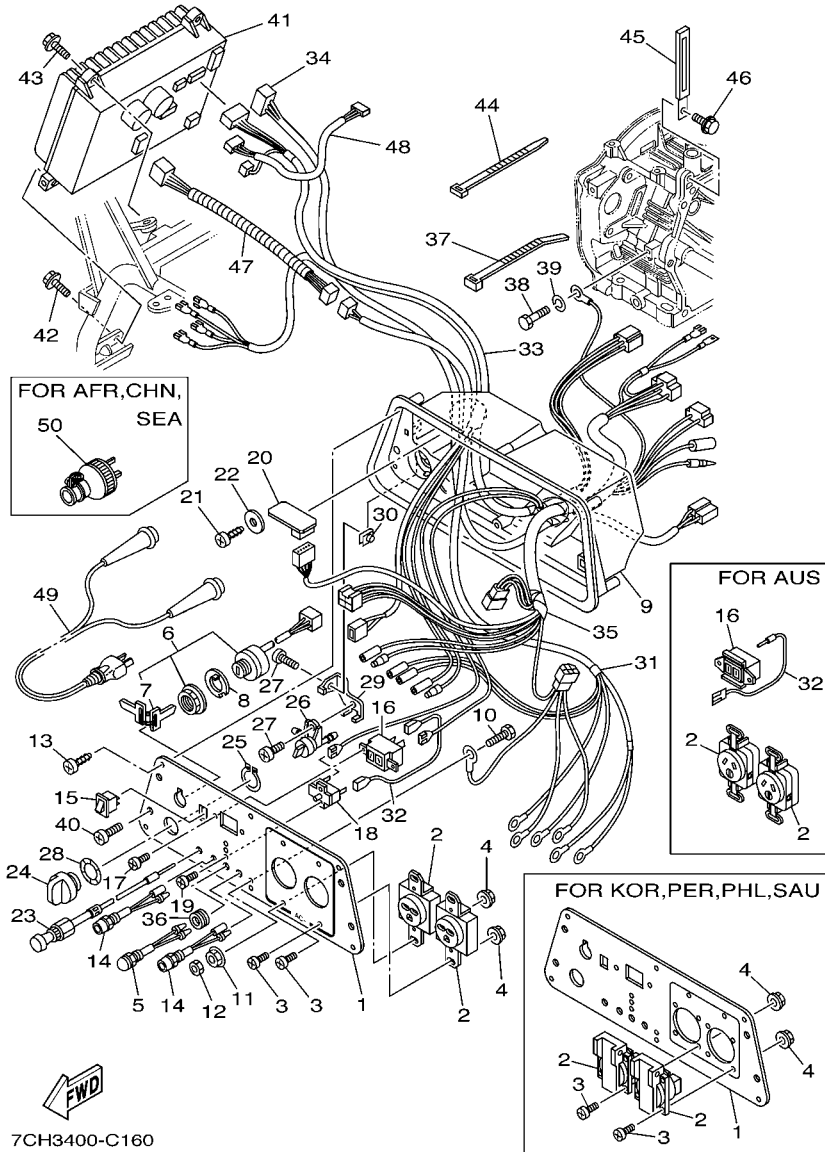
REF. NO.	PART NO.	DESCRIPTION	7CH8				REMARKS
1	7WL-87150-21	STATOR ASSY	1				
2	7WL-87160-01	ROTOR ASSY	1				
3	7WL-87172-00	FAN, GENERATOR	1				
4	95807-06016	BOLT, FLANGE	3				
5	95827-06055	BOLT, FLANGE	4				
6	99530-08012	PIN, DOWEL	2				
7	7WL-8719F-00	TUBE 7	2				
8	7WL-87139-00	LEAD WIRE ASSY 2	1				
9	90119-06M41	BOLT, WITH WASHER	1				
10	95780-06500	NUT, FLANGE	1				
11	7VU-87105-00	RECTIFIER ASSY 1	1				
12	7VU-86515-00	PLATE, HEAT SINK	1				
13	98507-05020	SCREW, PAN HEAD	1				
14	95607-05200	NUT, U FLANGE	1				
15	90170-14403	NUT	1				
16	92907-14200	WASHER	1				



7CH3400-C160

FIG. 16 CONTROL BOX

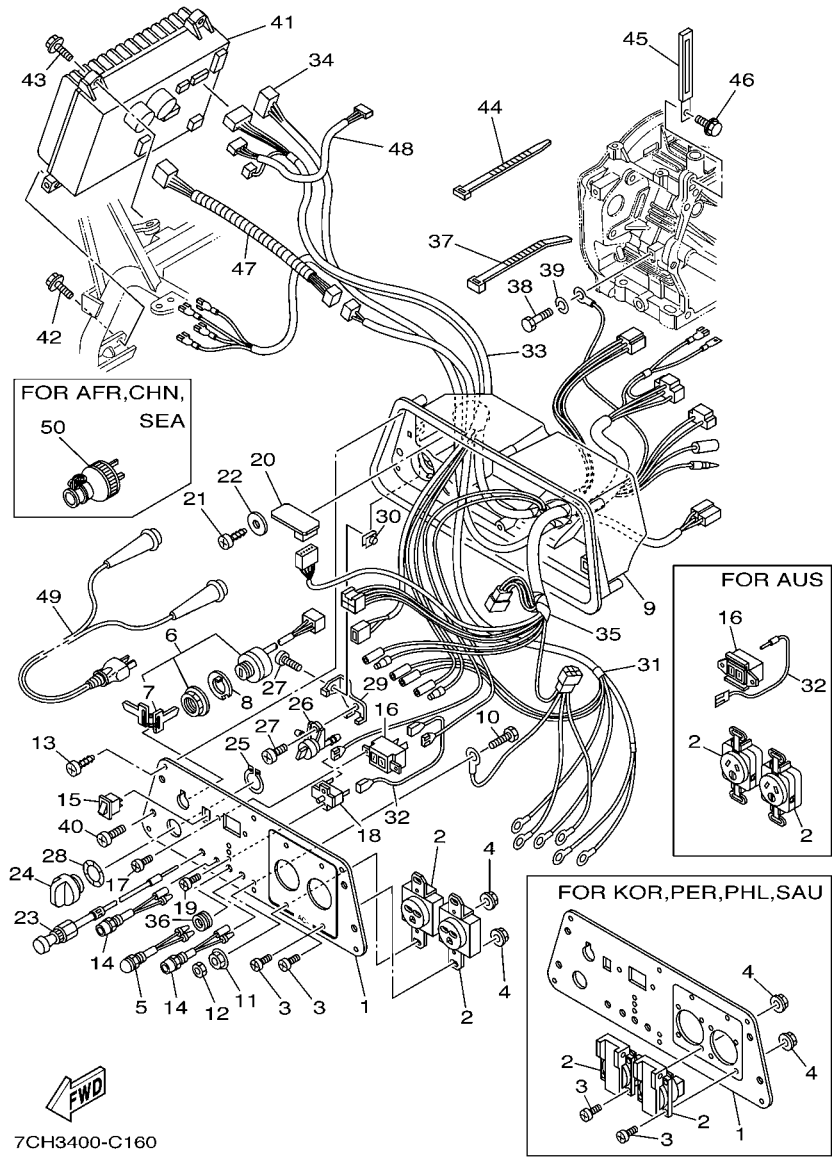
REF. NO.	PART NO.	DESCRIPTION	7CH3			REMARKS
1	7CH-87249-G0	PLATE	1			AUS, AFR, CHN, SEA
	7CH-87249-A0	PLATE	1			KOR, PER, PHL, SAU
2	7G7-87221-01	RECEPTACLE 1(WCZ1312-9)	2			AFR, CHN, SEA
	73G-87221-90	RECEPTACLE 1 (CRIPSAL 415/15)	2			AUS
	7H7-87221-80	RECEPTACLE 1 (ABL 6995)	2			KOR, PER, PHL, SAU
3	98507-04012	SCREW, PAN HEAD	4			AUS, AFR, CHN, SEA
	90151-03032	SCREW, COUNTERSUNK	8			KOR, PER, PHL, SAU
4	95707-04500	NUT, FLANGE	4			AUS, AFR, CHN, SEA
	90179-03478	NUT	8			KOR, PER, PHL, SAU
5	7NJ-83530-G0	PILOT LIGHT ASSY	1			
6	7CH-82510-00	MAIN SWITCH ASSY	1			
7	73A-82511-00	.KEY, MAIN SWITCH	2			
8	7RG-82517-00	WASHER, SPECIAL	1			
9	7WL-87213-01	COVER, CONTROL BOX	1			
10	97080-05016	BOLT	1			
11	95707-05500	NUT, FLANGE	1			
12	95380-05700	NUT	1			
13	97707-40516	SCREW, TAPPING	6			
14	7VU-83582-00	PILOT LIGHT ASSY	2			
15	7XX-82550-00	ENGINE STOP SWITCH ASSY	1			ECO SW (BLACK)
16	7LG-87239-00	RECEPTACLE COMP. (12A 24V DC)	1			EXCEPT FOR AUS
	7H8-87214-11	RECEPTACLE COMP. (WCZ 1220-125)	1			AUS
17	98507-04008	SCREW, PAN HEAD	2			
18	7WL-82181-00	CIRCUIT BREAKER COMP.	1			
19	98507-03008	SCREW, PAN HEAD	2			
20	7WL-85680-02	SPEED LIMITER ASSY	1			
21	97707-30512	SCREW, TAPPING	1			



7CH3400-C160

FIG. 16 CONTROL BOX

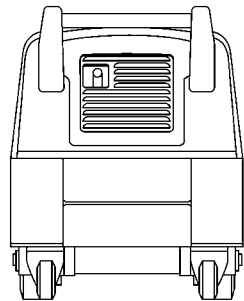
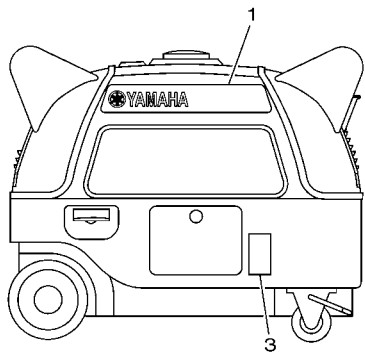
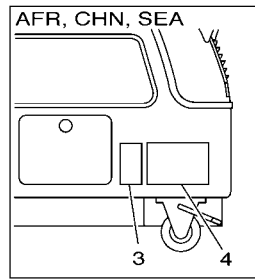
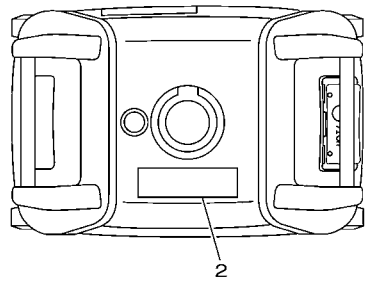
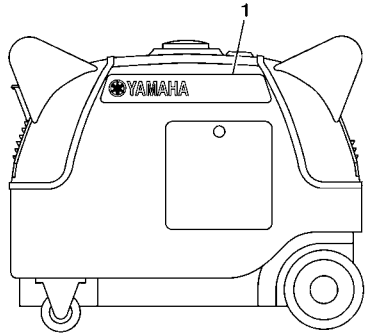
REF. NO.	PART NO.	DESCRIPTION	7CH3				REMARKS
22	90201-03013	WASHER, PLATE	1				
23	7TD-26331-00	CABLE, CHOKE	1				
24	7WL-24524-00	LEVER, COCK	1				
25	99009-24400	CIRCLIP	1				
26	7WL-24500-00	FUEL COCK ASSY 1	1				
27	98507-05012	SCREW, PAN HEAD	2				
28	90206-26001	WASHER, WAVE	1				
29	7WL-24544-00	BRACKET, FUEL COCK	1				
30	90183-05076	NUT, SPRING	1				
31	7CH-87225-20	WIRE, LEAD 3	1				AFR, CHN, SEA
	7CH-87225-N0	WIRE, LEAD 3	1				AUS
	7CH-87225-K0	WIRE, LEAD 3	1				KOR, PER, PHL, SAU
32	7WL-8722Y-00	WIRE, LEAD 4	1				EXCEPT FOR AUS
	7WL-8722Y-N0	WIRE, LEAD 4	1				AUS
33	7CH-8722J-10	WIRE, LEAD	1				EXCEPT FOR AUS
	7CH-8722J-N0	WIRE, LEAD	1				AUS
34	7CH-8722X-00	WIRE, LEAD 5	1				
35	7CH-8722W-20	WIRE, LEAD 6	1				AFR, CHN, SEA
	7CH-8722W-70	WIRE, LEAD 6	1				AUS, KOR, PER, PHL, S
36	90480-13012	GROMMET	1				
37	7CH-87188-00	BINDER	1				
38	97007-06012	BOLT	1				
39	92907-06100	WASHER, SPRING	1				
40	98907-06014	SCREW, BIND	4				
41	7CH-8A210-20	CONTROL UNIT	1				AUS, AFR, CHN, SEA
	7CH-8A210-60	CONTROL UNIT	1				KOR, PER, PHL, SAU
42	95827-06012	BOLT, FLANGE	2				



7CH3400-C160

FIG. 16 CONTROL BOX

REF. NO.	PART NO.	DESCRIPTION	7CH3				REMARKS
43	95807-06020	BOLT, FLANGE	2				
44	90464-13073	CLAMP	1				
45	90462-05061	CLAMP	1				
46	95807-06012	BOLT, FLANGE	1				
47	7CH-8A530-00	WIRE COMPLETE	1				
48	7CH-82509-00	WIRE, SUB LEAD	1				
49	7LG-87209-00	CHARGE CORD ASSY	1				EXCEPT FOR AUS
	7LJ-87209-10	CHARGE CORD ASSY	1				AUS
50	7G7-87236-00	PLUG, AC RECEPTACLE (15A-250V)	2				AFR, CHN, SEA



7CH3400-C170

FIG. 17 LABELS

REF. NO.	PART NO.	DESCRIPTION	7CH3				REMARKS
1	7WL-24161-10	EMBLEM 1 (YAMAHA)	2				
2	7NJ-24162-10	EMBLEM 2 (WARNING)	1				
3	7WL-24164-50	EMBLEM 4 (OIL)	1				AFR, CHN, SEA
	7WL-24164-40	EMBLEM 4 (OIL & SPECIFICATION)	1				AUS
	7CH-24164-A0	EMBLEM 4 (OIL & SPECIFICATION)	1				KOR, PER, PHL, SAU
4	7NJ-24162-N0	EMBLEM 2 (WARNING)	1				AFR, CHN, SEA

NUMERICAL INDEX

PART NO.	GRID NO.	PART NO.	GRID NO.	PART NO.	GRID NO.	PART NO.	GRID NO.	PART NO.	GRID NO.	PART NO.	GRID NO.
7WL-11111-00	B - 2	7LV-14118-00	B - 8	7TA-15713-00	B - 5	7WL-2289K-00	B - 15	3EL-81940-01	C - 4	7CH-8722W-70	C - 7
7NJ-11160-00	B - 2	22F-14139-00	B - 8	7VU-15714-00	B - 5	7WL-2289L-00	B - 11	353-81970-M0	C - 3	7CH-8722X-00	C - 7
7NJ-11169-00	B - 2	620-14142-37-A0	B - 7	7TA-15715-00	B - 5	7WL-2289M-00	B - 15	3VD-82100-01	C - 4	7WL-8722Y-00	C - 7
7WC-11181-00	B - 2	7LG-14150-11	B - 7	7VU-15716-00	B - 5	7CH-2289N-00	B - 12	7WL-82115-00	C - 4	7WL-8722Y-N0	C - 7
7NJ-11191-00	B - 2	7EG-14159-00	B - 7	7WL-15723-00	B - 5	7CH-2289R-00	B - 12	7WL-82116-00	C - 4	7G7-87236-00	C - 8
7NJ-11193-00	B - 2	7TD-14162-00	B - 7	JL8-15741-00	B - 5	7CH-2289T-00	B - 12	7WL-82122-00	B - 11	7LG-87239-00	C - 6
7WL-11400-00	B - 3	7TD-14181-00	B - 7	JK4-15743-00	B - 5	7CH-2289U-00	B - 12	3V6-82131-00	B - 11	7CH-87249-A0	C - 6
7WC-11604-00	B - 3	7G0-14184-00	B - 7	7VU-15751-00	B - 5	7CH-228A0-00-P0	B - 12	42X-82151-00	C - 4	7CH-87249-G0	C - 6
7WC-11605-00	B - 3	7LG-14185-00	B - 7	7TD-15755-00	B - 5	7CH-228B0-00-P0	B - 12	7WL-82181-00	C - 6	7CH-8A210-20	C - 7
7WC-11610-00	B - 3	22F-14186-00	B - 7	7NJ-15793-00	B - 5	7CH-228C0-00-P0	B - 12	JN6-82370-00	C - 3	7CH-8A210-60	C - 7
7NJ-11631-00-98	B - 3	7E1-14191-00	B - 7	7WL-21541-00	B - 11	7CH-228D0-00-P0	B - 12	JE8-82372-00	C - 3	7CH-8A530-00	C - 8
4H7-11633-00	B - 3	1V3-14196-00	B - 8	7WL-21542-00	B - 11	7WL-228E0-00-P0	B - 12	7TD-82373-00	C - 3	90116-06493	B - 2
7NJ-11635-00	B - 3	7WL-14197-00	B - 8	7WL-21556-00	B - 11	7WL-228F0-00-P0	B - 12	7CH-82509-00	C - 8	90119-06M41	C - 5
7NJ-11636-00	B - 3	7NJ-14211-00	B - 7	7WL-21556-10	B - 11	7CH-228G0-00	B - 14	7CH-82510-00	C - 6	90149-06194	B - 12
7NJ-11650-00	B - 3	73A-14212-00	B - 7	7WL-21600-00	B - 11	7CH-228H0-00	B - 14	73A-82511-00	C - 6	90151-03032	C - 6
JA9-11654-01	B - 3	7RH-14216-00	B - 7	7WL-21600-10	B - 11	7WL-228J0-00	B - 14	7RG-82517-00	C - 6	90153-05024	B - 9
7NJ-12111-00	B - 4	7G0-14227-00	B - 7	7WL-21764-00	B - 12	7WL-228K0-00	B - 14	7XX-82550-00	C - 6	90170-14403	C - 3
7NJ-12117-00	B - 4	7X9-14239-00	B - 7	4U5-2176E-00	B - 12	7WL-23363-00	B - 14	7NJ-83530-G0	C - 6		C - 5
7NJ-12118-00	B - 4	1HX-1423E-40-A0	B - 7	7WL-21773-00	B - 13	7CH-23781-C0	B - 11	7VU-83582-00	C - 6	90179-03478	C - 6
51Y-12119-00	B - 4	J45-14243-00	B - 7	7WL-2281E-00	B - 12	7WL-24110-00	C - 2	7WL-85521-00	C - 3	90183-05076	C - 7
7NJ-12121-00	B - 4	7VU-14293-00	B - 7	7WL-2281F-00	B - 12	7WL-2414G-00	C - 2	7WL-85640-01	C - 3	90201-03013	C - 7
7NN-12151-00	B - 4	7CH-14411-C0	B - 6	7WL-22840-01	B - 11	7WL-24161-10	C - 9	7TD-85650-00	C - 3	90202-22238	B - 11
7WC-12153-00	B - 4	7WL-14430-00	B - 9	7TD-22845-00	B - 11	7NJ-24162-10	C - 9	7WL-85680-02	C - 6	90206-26001	C - 7
JA9-12153-10	B - 4	7CH-14451-C0	B - 6	73A-22845-10	B - 11	7NJ-24162-N0	C - 9	7A9-85710-02	C - 2	90269-10002	B - 11
7NJ-12154-00	B - 4	7CH-14453-00	B - 6	7CH-22846-00	B - 11	7WL-24164-40	C - 9	7NJ-85720-02	C - 3	90280-04052	C - 3
7NJ-12155-01	B - 4	7CH-14461-C0	B - 6	7WL-22850-00	B - 11	7WL-24164-50	C - 9	7NJ-85724-00	C - 3	90338-06181	B - 10
7FK-12157-00	B - 4	7CH-14472-C0	B - 6	7WL-22857-00	B - 15	7CH-24164-A0	C - 9	7VU-86240-00	B - 7	90338-28239	B - 11
7FK-12158-00	B - 4	7RH-14486-00	B - 7	7CH-22873-00	B - 12	630-24167-00	C - 2	7VU-86515-00	C - 5	90387-073M0	B - 5
7NN-12165-02	B - 4	JA9-14613-00	B - 9	7CH-22874-00	B - 12	7WL-24311-00	C - 2	7VU-87105-00	C - 5	90430-10188	B - 10
7NJ-12170-03	B - 4	7WL-14627-00	B - 9	7WL-22875-00	B - 12	7WL-24312-00	C - 2	7WL-87139-00	C - 5	90445-131J5	B - 2
7WL-12223-00	B - 5	7CH-14637-00	B - 9	7CH-22876-00	B - 12	4SV-24453-00	B - 7	7WL-87150-21	C - 5	90462-05061	C - 2
7NJ-12287-00	B - 4	7CH-14711-00	B - 9	7CH-22877-00	B - 12	7WL-24500-00	C - 7	7WL-87160-01	C - 5		C - 4
7NJ-12299-01	B - 4	7WL-14786-00	B - 9	7WL-22878-00	B - 12	5BM-24514-00	C - 2	7WL-87172-00	C - 5		C - 8
7WL-1240H-00	B - 5	7NJ-14788-00	B - 9	7CH-22879-00	B - 14	7WL-24524-00	C - 7	7CH-87188-00	C - 7	90464-13073	C - 8
7WL-12610-00	B - 5	7WL-14799-00	B - 9	7WL-22885-00	B - 14	7WL-24544-00	C - 7	7WL-8719F-00	C - 5	90467-08002	C - 2
7CH-12620-00	B - 5	7NJ-1479E-00	B - 9	7CH-22886-00	B - 14	74T-24610-00	C - 2	7LG-87209-00	C - 8	90467-09103	C - 2
7TD-1262J-00	B - 5	1WG-14922-00	B - 7	7CH-22887-00	B - 14	796-24612-00	C - 2	7LJ-87209-10	C - 8	90467-10008	C - 2
7TD-12658-00	B - 5	14X-14937-00	B - 8	7WL-22888-00	B - 14	7TD-26331-00	C - 7	7WL-87213-01	C - 6	90467-11106	C - 2
7TD-12659-00	B - 5	7NN-1495F-1B	B - 7	7CH-22889-00	B - 14	7TA-28100-00	B - 11	7H8-87214-11	C - 6	90480-13012	C - 7
7WL-12684-00	B - 5	7WL-15111-00	B - 10	7LG-22891-00	B - 11	7TD-81800-00	C - 4	7G7-87221-01	C - 6	90501-205J4	B - 4
7WL-12685-00	B - 5	7TD-15315-00	B - 10	7WL-22896-00	B - 14	50M-81801-M0	C - 4	7H7-87221-80	C - 6	91401-30040	B - 11
7WL-12686-00	B - 5	7UH-15362-00	B - 10	7CH-22897-00	B - 12	7TD-81807-00	C - 4	73G-87221-90	C - 6	92907-05100	C - 4
7WL-12690-00	B - 9	7TD-15379-00	B - 10	7WL-22899-00	B - 14	7WL-81815-00	C - 4	7CH-87225-20	C - 7	92907-06100	B - 9
7WL-12877-00	B - 5	7WL-15411-00	B - 10	7WL-2289A-00	B - 14	7LY-8181Y-00	C - 4	7CH-87225-K0	C - 7		C - 7
7NJ-13557-00	B - 6	7NJ-15451-00	B - 10	7WL-2289F-00	B - 14	7LY-81828-00	C - 4	7CH-87225-N0	C - 7	92907-06600	B - 9
7NJ-13567-00	B - 6	7TD-15494-00	B - 10	7WD-2289G-00	B - 14	XD4-81833-00	C - 4	7CH-8722J-10	C - 7		C - 3
7NJ-13596-00	B - 6	7WL-15710-01	B - 5	7WL-2289H-00	B - 15	JE0-81858-00	C - 4	7CH-8722J-N0	C - 7		C - 4
7WL-14101-01	B - 7	7WL-15711-01	B - 5	7WL-2289J-00	B - 15	XD7-81859-00	C - 4	7CH-8722W-20	C - 7	92907-14200	C - 3

NUMERICAL INDEX

PART NO.	GRID NO.	PART NO.	GRID NO.	PART NO.	GRID NO.	PART NO.	GRID NO.	PART NO.	GRID NO.	PART NO.	GRID NO.
92907-14200	C - 5	98502-03006	B - 7								
92990-05100	B - 7	98507-03008	C - 6								
93102-25090	B - 10	98507-04008	C - 6								
93210-22344	B - 10	98507-04012	C - 6								
93306-20511	B - 10	98507-05008	B - 7								
93450-17025	B - 3		C - 4								
94702-00331	B - 2	98507-05012	C - 7								
95027-10016	B - 10	98507-05020	C - 5								
95307-06600	B - 9	98507-06020	C - 3								
95380-05700	C - 6	98507-08012	B - 10								
95607-05200	C - 5	98907-06014	C - 7								
95607-06615	B - 2	99009-24400	C - 7								
95707-04500	C - 6	99530-08012	C - 5								
95707-05500	C - 6	99530-08016	B - 10								
95707-06500	B - 6	99530-10114	B - 2								
95707-08500	B - 11										
95780-06500	C - 5										
95807-06010	B - 12										
95807-06012	B - 5										
	B - 9										
	B - 11										
	B - 12										
	C - 2										
	C - 8										
95807-06014	B - 14										
95807-06016	C - 5										
95807-06020	B - 5										
	C - 8										
95807-06030	B - 9										
95807-08012	B - 9										
95807-08016	B - 9										
	B - 11										
95827-06012	B - 2										
	C - 3										
	C - 7										
95827-06020	C - 3										
	C - 4										
95827-06025	C - 3										
95827-06055	C - 5										
95827-08035	B - 10										
95827-08045	B - 2										
95827-08065	B - 2										
97007-06010	C - 4										
97007-06012	C - 7										
97007-06045	B - 9										
97080-05016	C - 6										
97707-30512	C - 6										
97707-40516	C - 6										