



PARTS CATALOGUE

EF1000iS (7CG3) AFRICA, CHINA, SOUTH EAST ASIA

EF1000iS (7CG3) AUSTRALIA

EF1000iS (7CG3) SOUTH KOREA

1C7CG-400E1

()

NEWS NO.	DATE	COMMENT
PE0-GE-040003	Mar., 8, 2004	EF1000iS(7VV2,3,4/7CG2) PARTS CATALOGUE CORRECTIONS
PE0-GE-060011	July, 3, 2006	EF1000iS(7CG2,7CG3) PARTS CATALOGUE CORRECTIONS
PE0-GE-060013	Oct., 31, 2006	EF1000iS(7CG2,7CG3) PARTS CATALOGUE MODIFICATIONS
PE0-GE-100006	Jan., 22, 2010	EF1000iS(7CG2,7CG3) PARTS CATALOGUE MODIFICATIONS
PE0-GE-130001	Mar., 18, 2013	EF1000iS(7CG3) PARTS CATALOGUE MODIFICATIONS

EF1000iS
PARTS CATALOGUE
©2004 by Yamaha Motor Co., Ltd.
1st edition, May 2004
All rights reserved.
Any reprinting or unauthorized use
without the written permission of
Yamaha Motor Co., Ltd.
is expressly prohibited.
Printed in Japan.

FOREWORD

This Parts Catalogue is related to the parts for the model(s) on the cover page. When you are ordering replacement parts, please refer to this Parts Catalogue and quote both part numbers and part names correctly.

1. Modifications or additions which have been made after the issue of the Parts Catalogue will be announced in the Parts News.

It is advisable that you make the necessary corrections to the Parts Catalogue according to the Parts News.

2. Abbreviations

The following abbreviations are used in this Parts Catalogue.

“UR” Use specified parts number.

“UN” Use as many as needed.

“AP” Alternate Parts

“LM” Locally Made (Parts need to be ordered locally)

“F#” Frame No. (Applicable machine No.)

“O/S” Over Size

3. The number of components for assembly

- Parts, which are to be supplied in an assembly, are listed with a dot (.) in front of the part name as shown below.
- The numeral appearing to the right of each component part indicates the quantity of parts for each assembly unit.

PART NO.	DESCRIPTION	Q'TY	REMARKS
2F5-83310-60	FRONT FLASHER LIGHT ASSY	2	
115-83311-60	.BULB (6V-18W)	1	

4. Applicable colours of graphics are represented in the “REMARKS” as shown below.

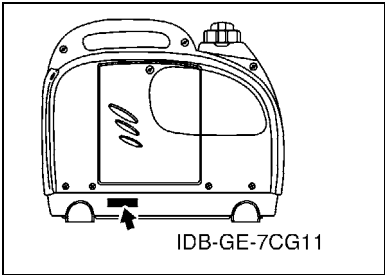
PART NO.	DESCRIPTION	Q'TY	REMARKS
2N4-24110-00-X5	FUEL TANK COMP.	2	MXR
3J1-24240-10	.GRAPHIC, FUEL TANK	1	FOR MXR

5. Note that the illustrations for reference in finding parts numbers are not to be used for assembling. When assembling, please use the applicable service manual.

6. The asterisk (*) before a reference number indicates modified items after the first edition.

FOREWORD

7. Applicable Serial No.
 Frame Serial No.



8. Applicable Colour Code (The (*) mark shows Model colour.)

Abbreviation	Colour Name	Colour Code
PBS3(*)	PURPLISH BLUE SOLID 3	0714

9. Applicable Starting Serial No.
 *****Serial NO.

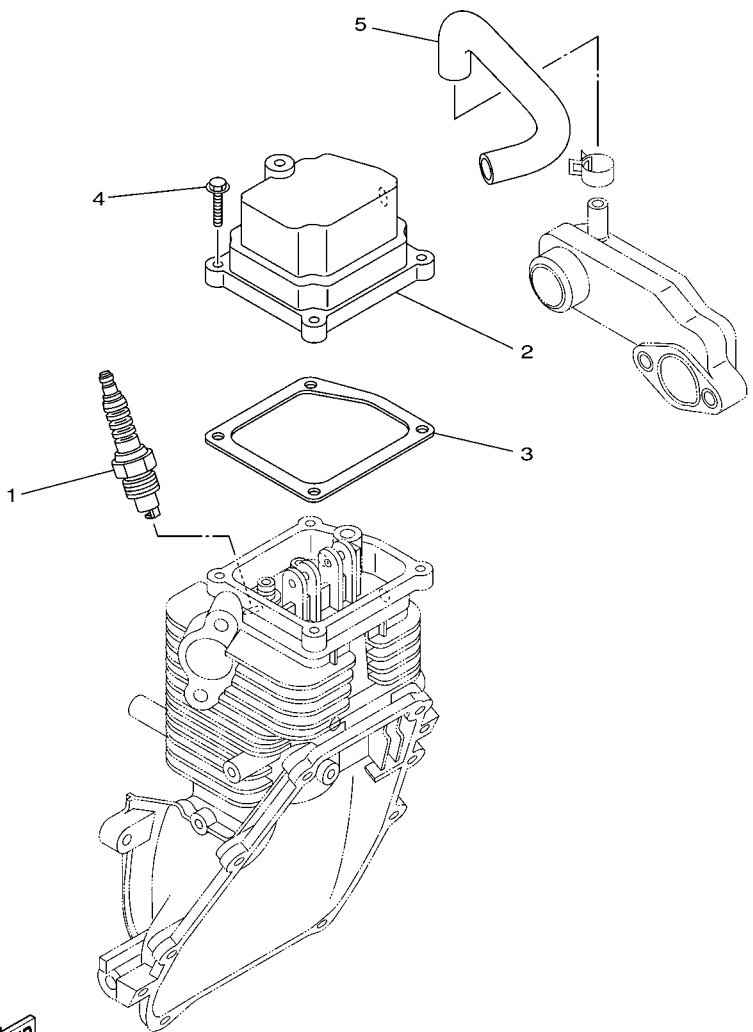
Model	Model Code	Destination	Voltage	Serial NO
EF1000iS	7CG3	AFR,CHN,SEA	220V-50Hz	7CG-0330101
EF1000iS	7CG3	AUSTRALIA	230V-50Hz	7CG-0350101
EF1000iS	7CG3	SOUTH KOREA	220V-60Hz	7CG-0320101

CONTENTS

CYLINDER	1
CRANKSHAFT & PISTON	2
CAMSHAFT & VALVE	3
AIR SHROUD & STARTER	4
INTAKE	6
CARBURETOR	7
EXHAUST	9
CRANKCASE	10
FRAME	11
FRAME 2	12
FUEL TANK	13
MAGNETO	15
GENERATOR	16
CONTROL BOX	17
GRAPHIC & EMBLEM	19
INDEX	
NUMERICAL INDEX	20

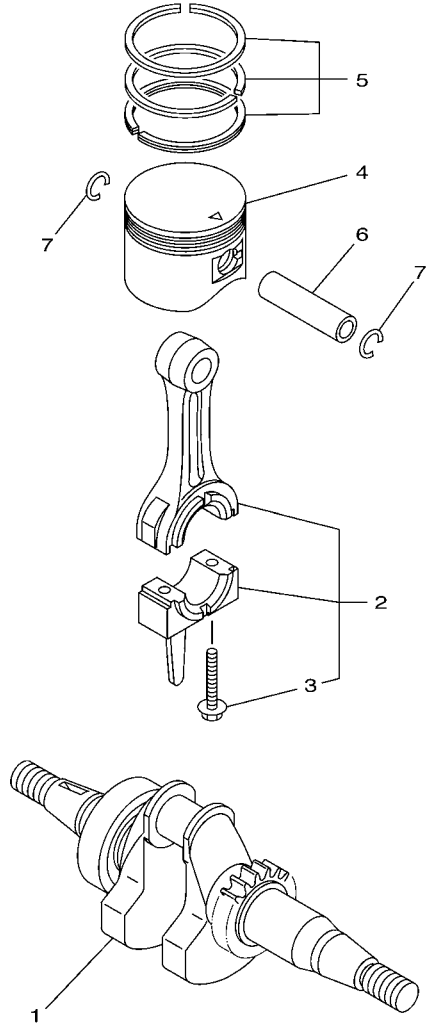
FIG. 1 CYLINDER

REF. NO.	PART NO.	DESCRIPTION	7CG3				REMARKS
1	94702-00419	PLUG, SPARK (NGK CR4HSB)	1				
2	7VV-11190-00	COVER, CYLINDER HEAD 1	1				
3	7VV-11193-00	GASKET, HEAD COVER 1	1				
4	90105-05361	BOLT, FLANGE	4				
5	7VV-11166-00	PIPE, BREATHER 1	1				
<hr/>							
<hr/>							
<hr/>							
<hr/>							
<hr/>							
<hr/>							
<hr/>							
<hr/>							
<hr/>							



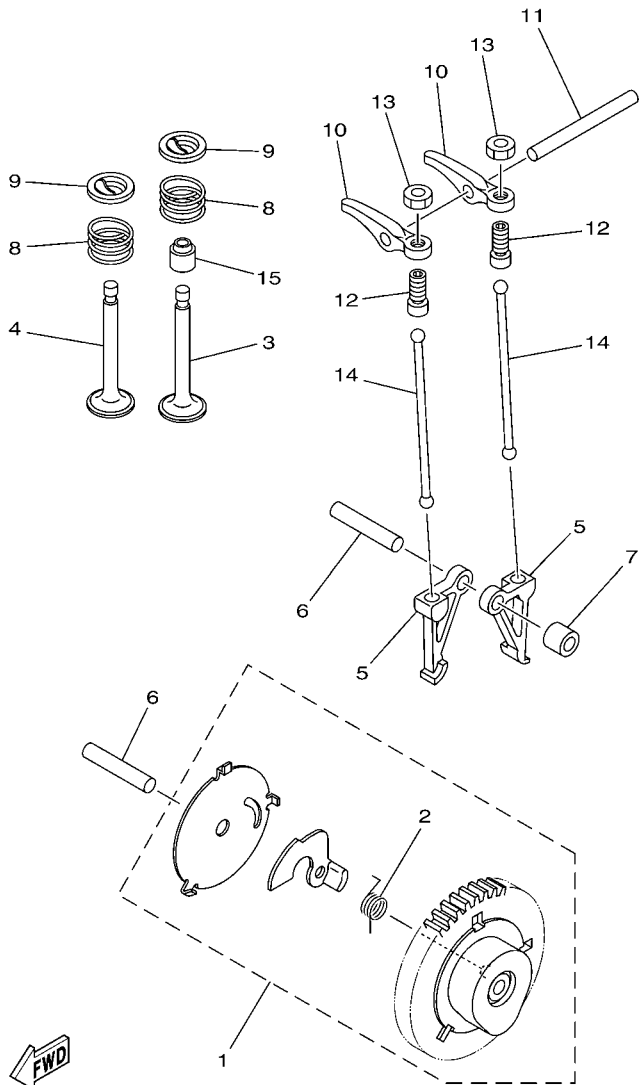

7VV1010-A010

FIG. 2 CRANKSHAFT & PISTON



FWD
7CG1010-C020

REF. NO.	PART NO.	DESCRIPTION	7CG3				REMARKS
1	7VV-11400-00	CRANKSHAFT ASSY	1				
2	7VV-11650-01	CONNECTING ROD ASSY	1				
3	7VV-11654-00	.BOLT, CONNECTING ROD	2				
4	7VV-11631-00	PISTON (STD)	1				
5	7VV-11610-00	PISTON RING SET (STD)	1				
6	2E9-11633-00	PIN, PISTON	1				
7	93450-11120	CIRCLIP	2				



7VV1010-A031

FIG. 3 CAMSHAFT & VALVE

REF. NO.	PART NO.	DESCRIPTION	7CG3				REMARKS
1	7VV-12170-02	CAMSHAFT ASSY 1	1				
2	7VV-12287-01	.SPRING, DECOMPRESSION	1				
3	7VV-12111-00	VALVE, INTAKE	1				
4	7VV-12121-00	VALVE, EXHAUST	1				
5	7VV-12141-00	FOLLOWER,CAM	2				
6	93605-30002	PIN, DOWEL	2				
7	90387-05624	COLLAR	1				
8	90501-16708	SPRING, COMPRESSION	2				
9	7VV-12117-00	RETAINER, VALVE SPRING	2				
10	7VV-12151-00	ARM, VALVE ROCKER	2				
11	93604-42002	PIN, DOWEL	1				
12	7VV-12159-00	SCREW, VALVE ADJUSTING	2				
13	90170-05302	NUT	2				
14	7VV-12154-00	ROD, VALVE PUSH	2				
15	1HX-12119-00	SEAL, VALVE STEM	1				

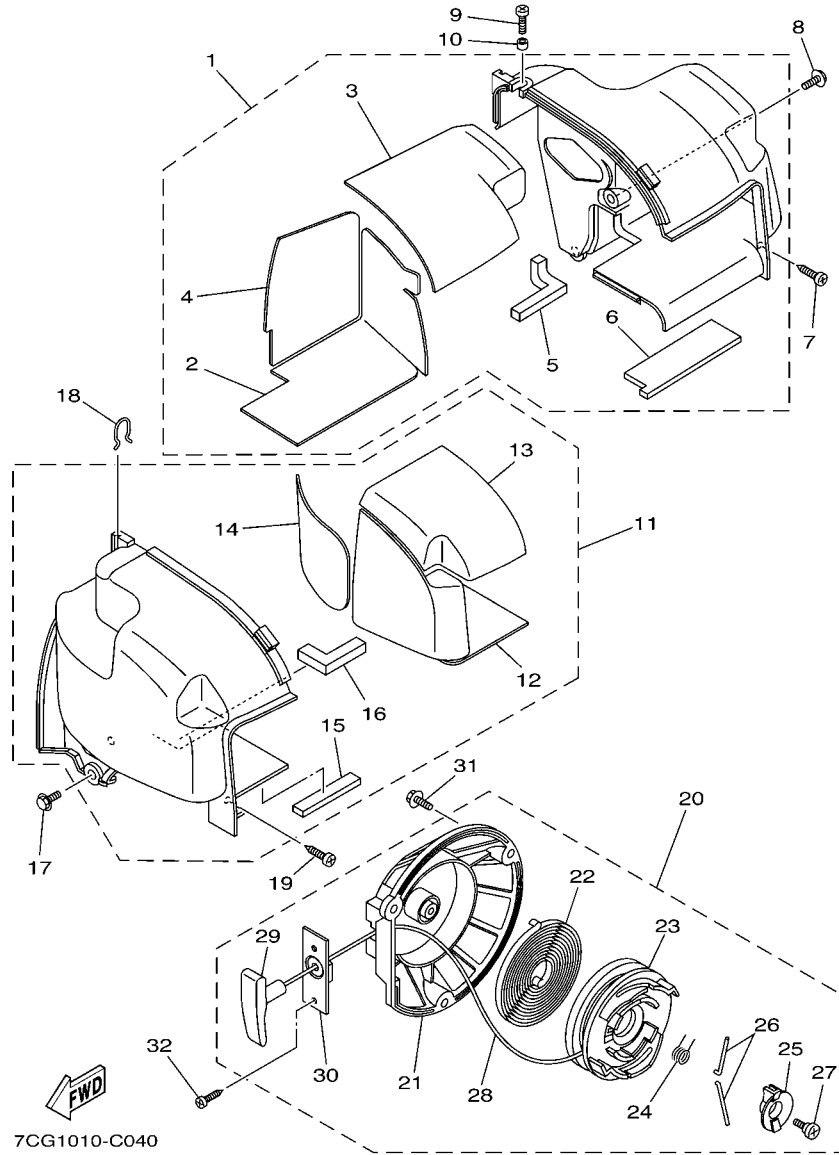


FIG. 4 AIR SHROUD & STARTER

REF. NO.	PART NO.	DESCRIPTION	7CG3				REMARKS
1	7VV-12620-00	AIR SHROUD ASSY	1				
2	7VV-1469A-00	.FIBER	1				
3	7VV-1469E-00	.FIBER	1				
4	7VV-1469F-00	.FIBER 3	1				
5	7VV-12668-00	.DAMPER, AIR SHROUD 3	1				
6	7VV-12678-00	.DAMPER, AIR SHROUD 5	1				
7	97707-50016	SCREW, TAPPING	1				
8	90105-05002	BOLT, FLANGE	2				
9	98907-05014	SCREW, BIND	1				
10	90387-05679	COLLAR	1				
11	7VV-12650-00	AIR SHROUD ASSY,,2	1				
12	7VV-1478A-00	.FIBER 7	1				
13	7VV-1478E-00	.FIBER 8	1				
14	7VV-1478F-00	.FIBER 9	1				
15	7VV-12679-00	.DAMPER, SHROUD 6	1				
16	7VV-12669-00	.DAMPER, AIR SHROUD 4	1				
17	90105-05002	BOLT, FLANGE	2				
18	7VV-12486-00	CLIP	2				
19	97707-50016	SCREW, TAPPING	1				
20	7VV-15710-00	STARTER ASSY	1				
21	7VV-15703-00	.STARTER CASE COMP.	1				
22	7VV-15713-00	.SPRING, STARTER	1				
23	7VV-15714-00	.DRUM, SHEAVE	1				
24	7VV-15715-00	.SPRING, FRICTION	1				
25	7VV-15716-00	.PLATE, DRIVE	1				
26	7VV-15741-00	.PAWL, DRIVE	2				
27	7VV-15793-00	.SCREW	1				

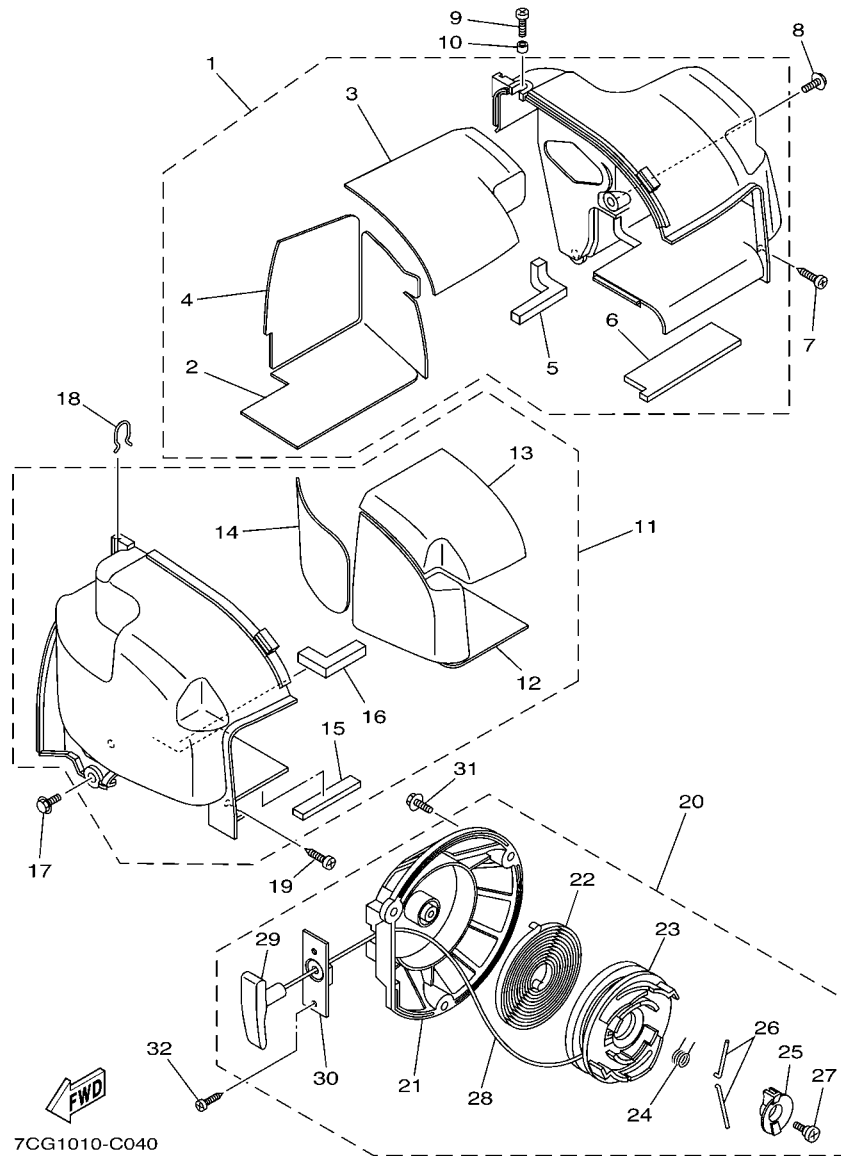


FIG. 4 AIR SHROUD & STARTER

REF. NO.	PART NO.	DESCRIPTION	7CG3				REMARKS
28	7VV-15751-00	.WIRE, STARTER	1				
29	7VV-15755-00	.HANDLE, STARTER	1				
30	7VV-15788-00	.HOLDER, HANDLE	1				
31	90105-05002	BOLT, FLANGE	3				
32	97707-50114	SCREW, TAPPING	1				

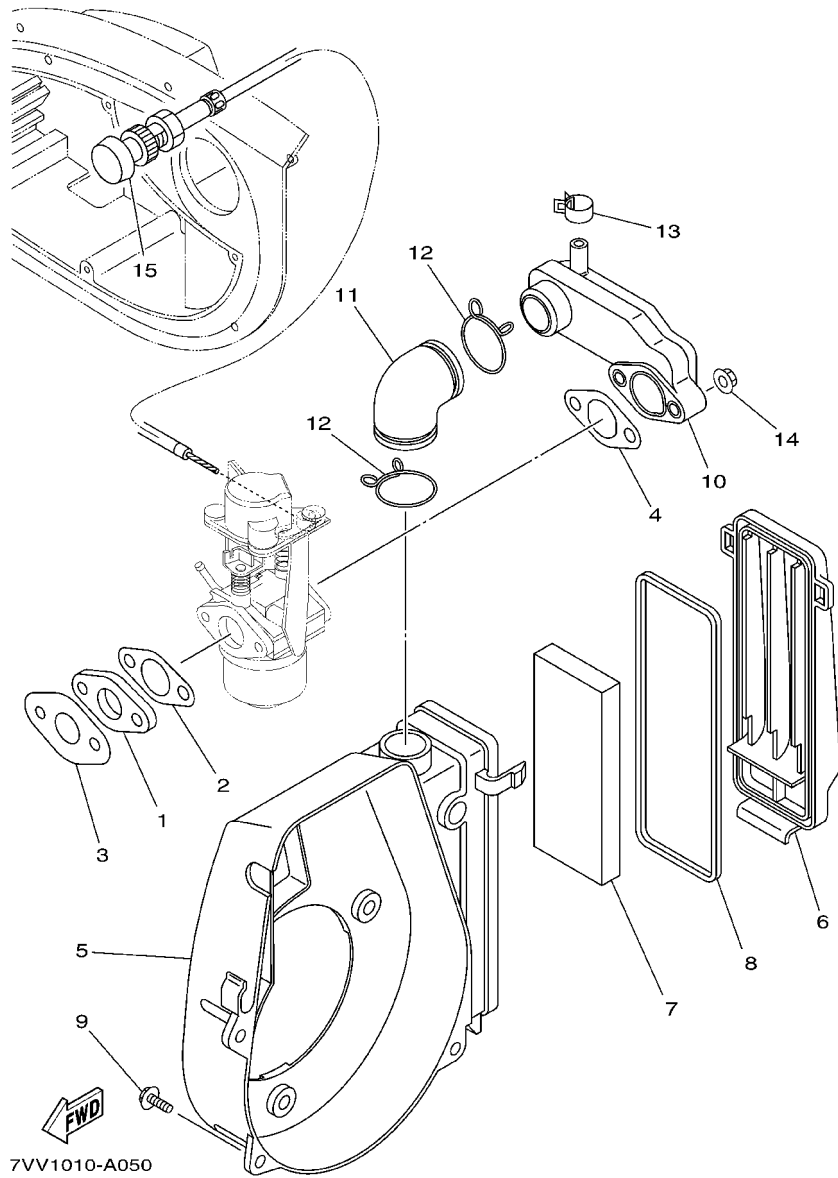


FIG. 5 INTAKE

REF. NO.	PART NO.	DESCRIPTION	7CG3				REMARKS
1	7X9-13595-00	JOINT	1				
2	7G5-13556-10	GASKET, MANIFOLD	1				
3	7VV-13556-00	GASKET, MANIFOLD	1				
4	7X9-14416-10	GASKET, AIR CLEANER	1				
5	7VV-14411-00	CASE, AIR CLEANER 1	1				
6	7VV-14412-00	CAP, CLEANER CASE 1	1				
7	7VV-14451-00	ELEMENT, AIR CLEANER	1				
8	7VV-14462-00	SEAL	1				
9	90105-05002	BOLT, FLANGE	3				
10	7VV-14453-00	JOINT, AIR CLEANER 1	1				
11	7VV-14485-00	PIPE, JOINT	1				
12	90467-280A0	CLIP	2				
13	90467-13064	CLIP	1				
14	95707-06500	NUT, FLANGE	2				
15	7VV-26331-00	CABLE, CHOKE	1				

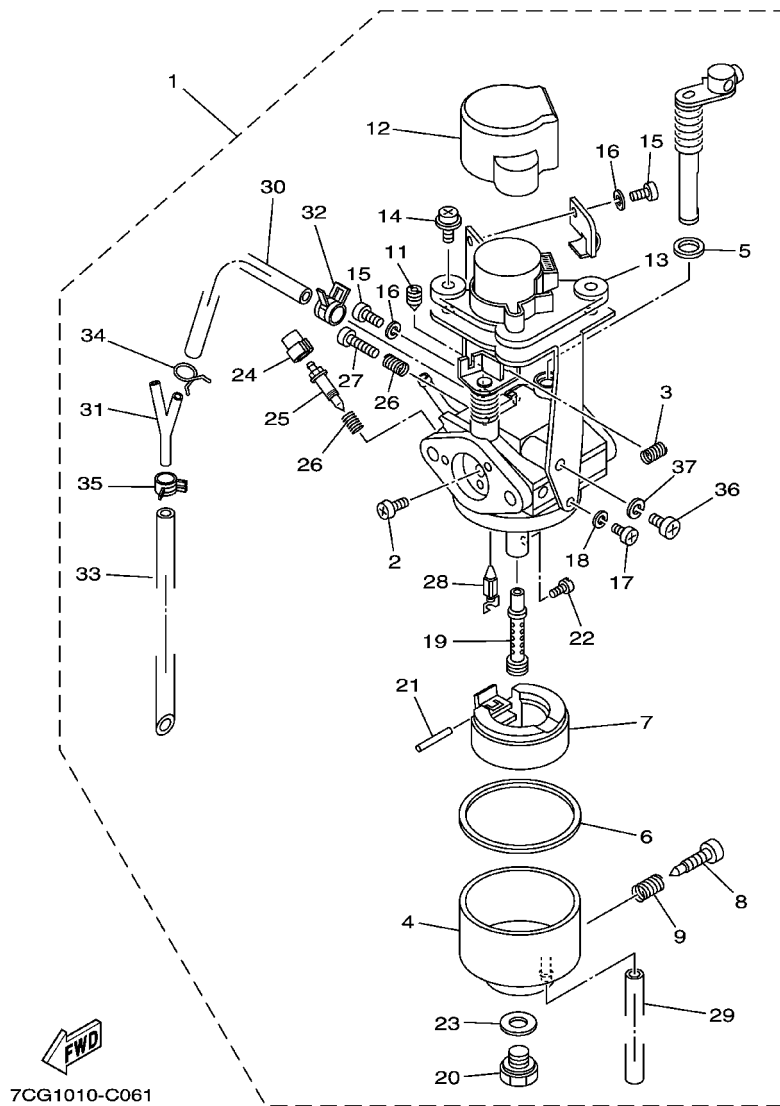
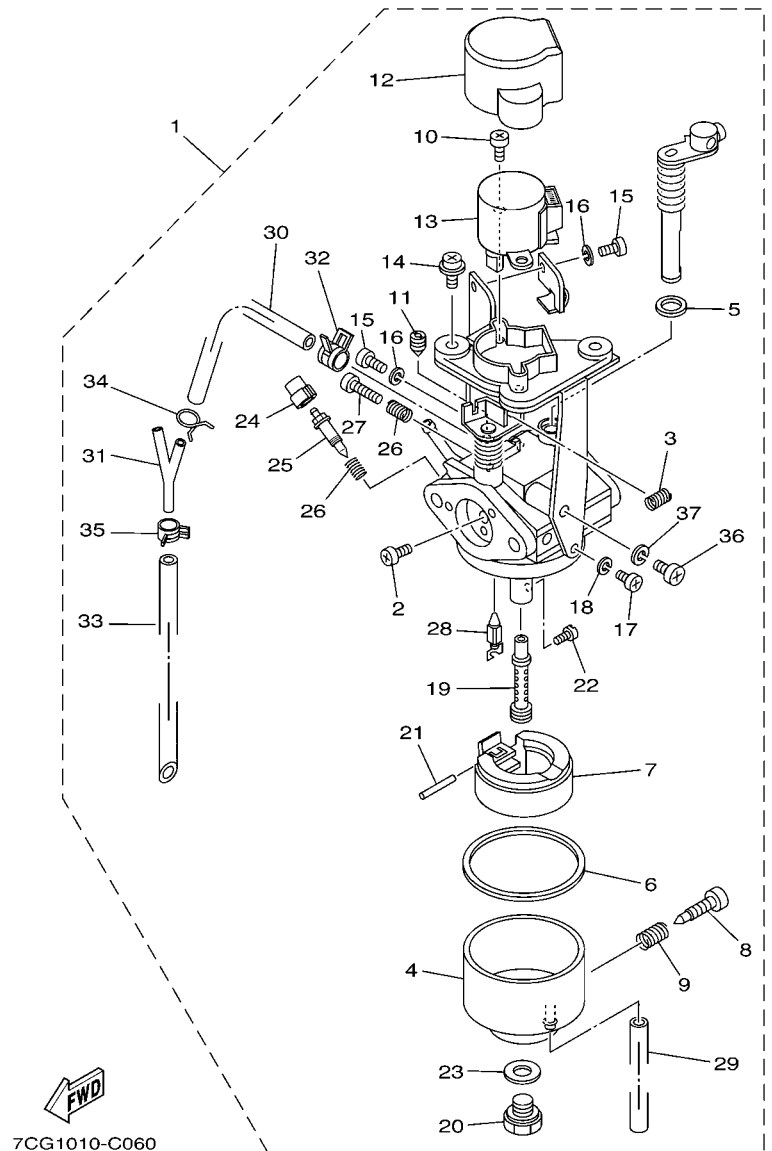


FIG. 6 CARBURETOR

REF. NO.	PART NO.	DESCRIPTION	7CG3				REMARKS
1	7CG-14101-00	CARBURETOR ASSY 1	1				
2	7RH-14486-00	.SCREW, ROD	3				
3	127-14134-00	.SPRING, AIR ADJUSTING	1				
4	7CG-14181-00	.BODY, FLOAT CHAMBER 1	1				
5	22F-14117-00	.WASHER, PLUG SCREW	1				
6	7G5-14227-00	.GASKET, FLOAT CHAMBER	1				
7	7X9-14185-00	.FLOAT	1				
8	7E1-14191-00	.PLUG, DRAIN	1				
9	73A-14212-00	.SPRING	1				
11	620-14142-32-A0	.JET, PILOT (# 32.5)	1				
12	7VU-14293-00	.COVER 1	1				
13	7CF-81802-09	.MOTOR UNIT ASSY	1				
14	4SV-24453-00	.SCREW	2				
15	98507-05008	.SCREW, PAN HEAD	2				
16	92990-05100	.WASHER, SPRING	2				
17	98580-04010	.SCREW, PAN HEAD	1				
18	92990-04100	.WASHER, SPRING	1				
19	7VV-1495E-2C	.NOZZLE, MAIN	1				
20	7CG-14162-00	.BOLT, HOLDING	1				
21	22F-14186-00	.PIN, FLOAT	1				
22	1HX-1423E-23-A0	.JET, MAIN (# 58.8)	1				
23	127-14198-00	.GASKET	1				
24	7NJ-14118-00	.CAP (CUT AWAY 1/4)	1				
25	7NJ-14211-00	.SCREW, PILOT ADJUSTING	1				
26	73A-14212-00	.SPRING	2				
27	75J-14990-00	.SCREW	1				



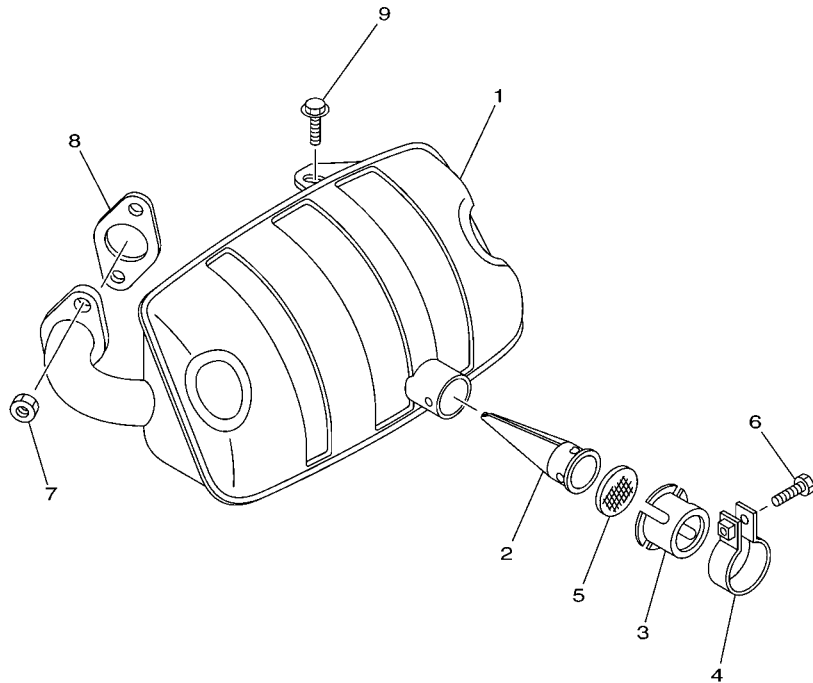
7CG1010-C060

FIG. 6 CARBURETOR

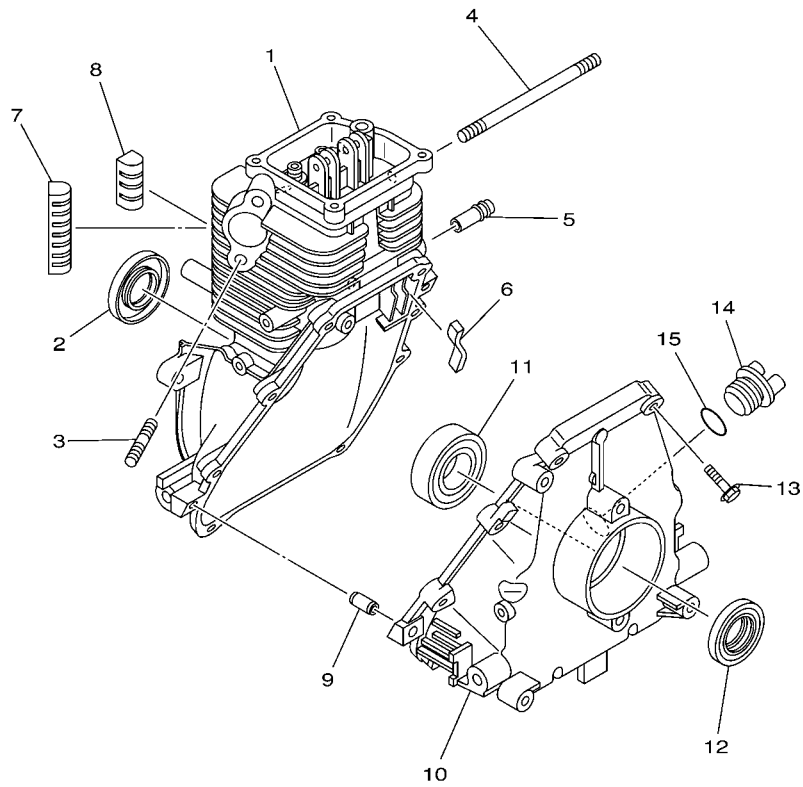
REF. NO.	PART NO.	DESCRIPTION	7CG3				REMARKS
28	7VV-14150-00	.NEEDLE ASSY	1				
29	7VV-14196-10	.PIPE	1				
30	7VV-14197-00	.PIPE	1				
31	90413-05015	.WAY 3	1				
32	7VV-14137-00	.CLIP	1				
33	7VV-14196-01	.PIPE	1				
34	8A7-14139-00	.CLIP, PIPE	1				
35	3LD-14139-00	.CLIP, PIPE	1				
36	98507-05012	.SCREW, PAN HEAD	1				
37	92990-05100	.WASHER, SPRING	1				

FIG. 7 EXHAUST

REF. NO.	PART NO.	DESCRIPTION	7CG3				REMARKS
1	7VV-14721-00	MUFFLER 2	1				
2	7VV-14786-00	ARRESTER, SPARK	1				
3	7NJ-14799-01	CAP	1				
4	7NJ-14788-00	BAND, SILENCER	1				
5	7NJ-1479E-00	NET, WIRE 2	1				
6	90153-05024	SCREW, HEXAGON	1				
7	95307-06600	NUT	2				
8	7VV-14613-00	GASKET, EXHAUST PIPE	1				
9	95827-06012	BOLT, FLANGE	1				



7VV1010-A070



7VV1010-A080

FIG. 8 CRANKCASE

REF. NO.	PART NO.	DESCRIPTION	7CG3				REMARKS
1	7VV-15111-01	CRANKCASE 1	1				
2	93102-20008	OIL SEAL	1				
3	95607-06615	BOLT, STUD	2				
4	90116-06033	BOLT, STUD	2				
5	J38-11116-00	JOINT, BREATHER	1				
6	7VV-15407-00	ELEMENT 1	1				
7	7VV-11161-00	ABSORBER 1	1				
8	7VV-11162-00	ABSORBER 2	3				
9	99530-08012	PIN, DOWEL	2				
10	7VV-15121-00	CRANKCASE 2	1				
11	93306-00415	BEARING (B6004)	1				
12	93102-20366	OIL SEAL	1				
13	90105-05006	BOLT, FLANGE	8				
14	7X9-15363-00	PLUG, OIL	1				
15	93210-15414	O-RING	1				

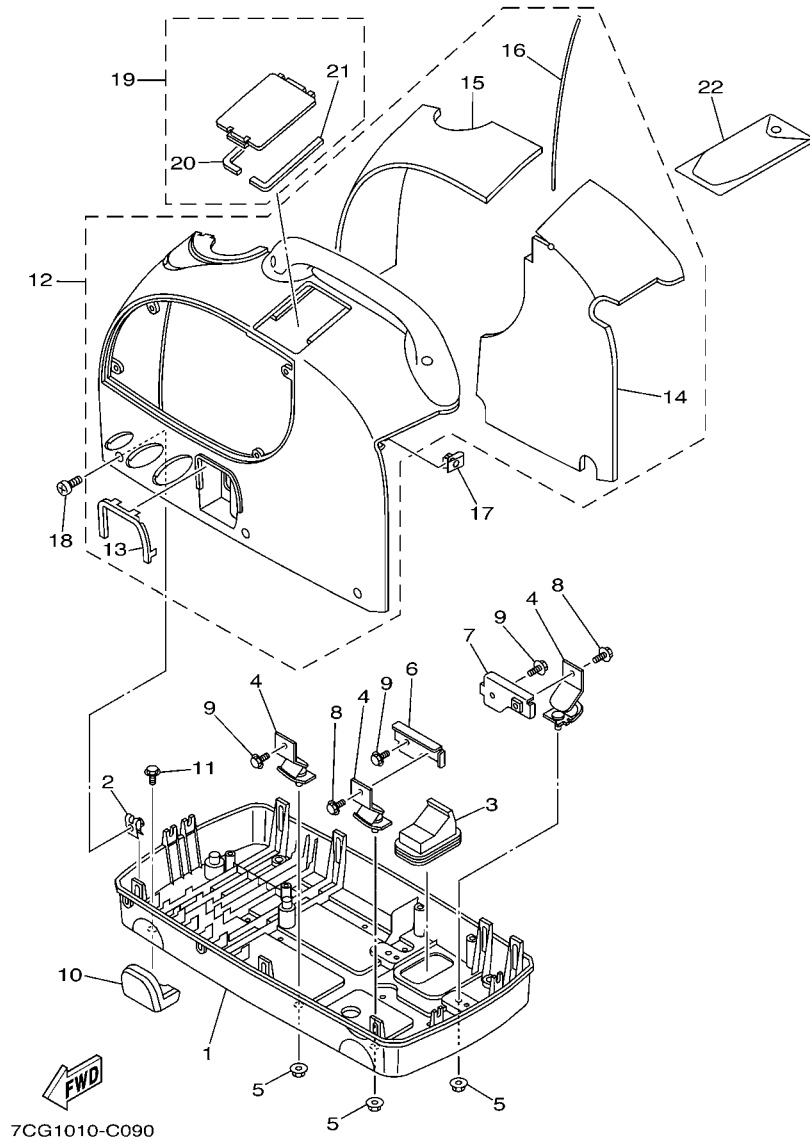
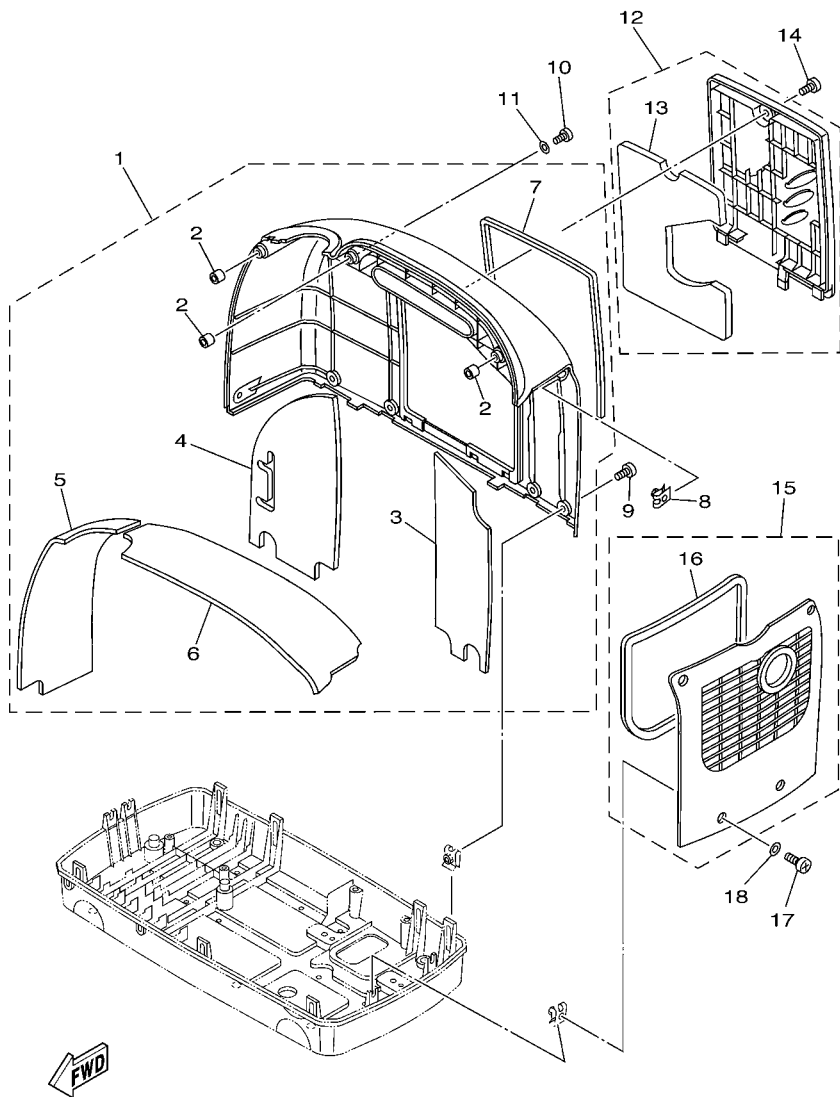


FIG. 9 FRAME

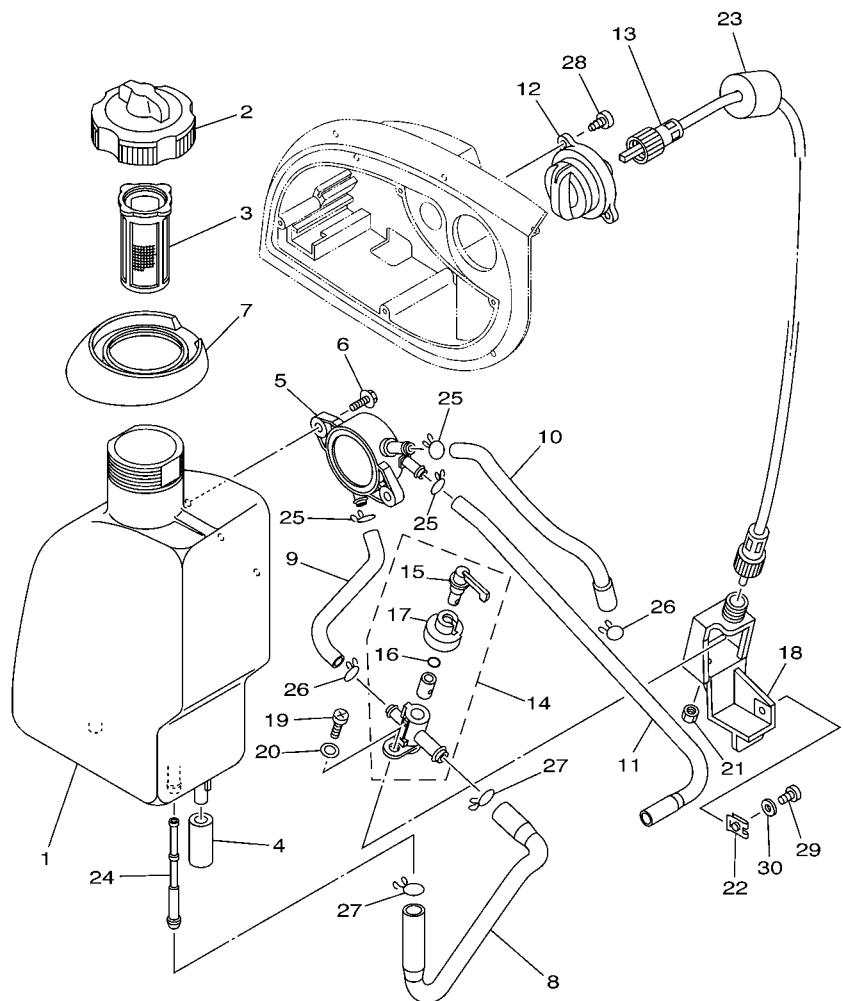
REF. NO.	PART NO.	DESCRIPTION	7CG3				REMARKS
1	7VV-22881-01	BASE, MOUNTING	1				
2	90183-05076	NUT, SPRING	11				
3	7VV-67617-00	JOINT, DRAIN	1				
4	7VV-22891-00	INSULATOR, MOUNTING	4				
5	95707-06500	NUT, FLANGE	4				
6	7CG-11011-00	BRACKET, ENGINE 1	1				
7	7CG-11012-00	BRACKET, ENGINE 2	1				
8	95817-06008	BOLT, FLANGE	2				
9	95817-06012	BOLT, FLANGE	4				
10	7VV-22895-00	INSULATOR, MOUNTING	4				
11	90105-05002	BOLT, FLANGE	4				
12	7CG-228A0-00	COVER ASSY 1	1				
13	7VV-22825-01	.PROTECTOR 1	1				
14	7CG-22875-00	.SEAL 3	1				
15	7CG-22876-00	.SEAL 4	1				
16	7VV-23383-00	.COVER, DUST SEAL 1	1				
17	90183-05061	NUT, SPRING	1				
18	7CG-23119-00	SCREW	4				
19	7VV-228C0-00	COVER ASSY 3	1				
20	7VV-22886-00	.SEAL 9	1				
21	7VV-22887-00	.SEAL 10	1				
22	7VV-28100-00	TOOL KIT	1				



7CG1010-C100

FIG. 10 FRAME 2

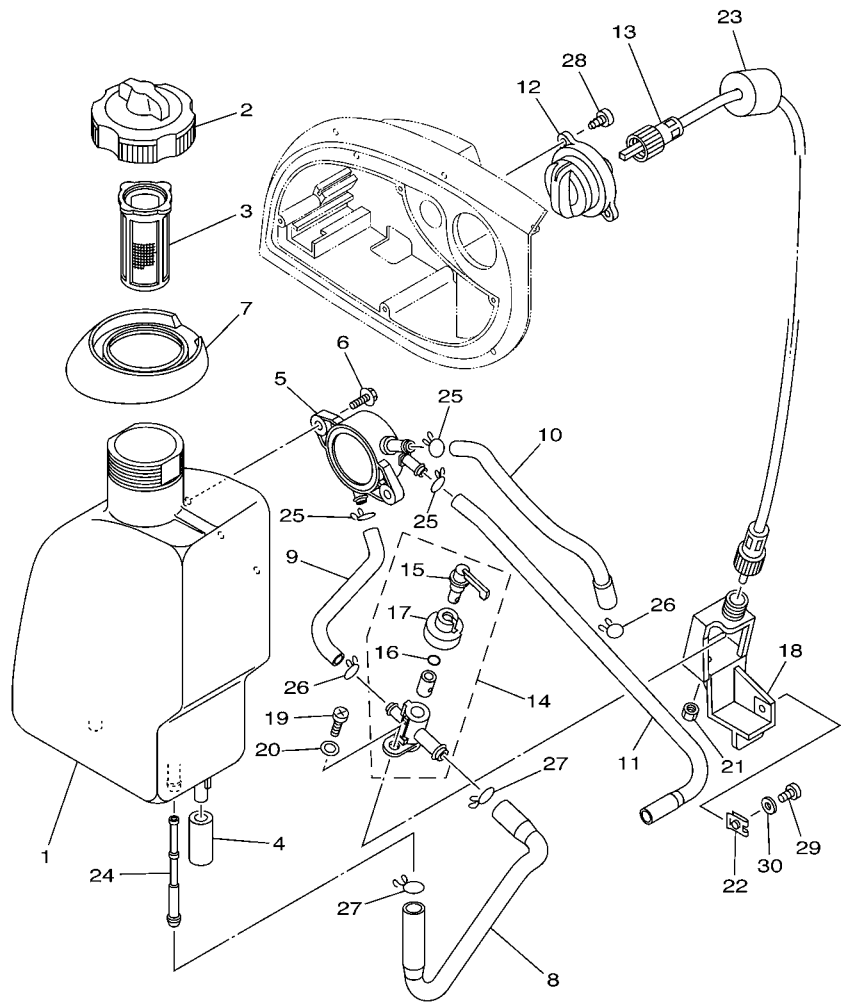
REF. NO.	PART NO.	DESCRIPTION	7CG3				REMARKS
1	7CG-228B0-00	COVER ASSY 2	1				
2	7VV-23364-00	.COLLAR 2	3				
3	7CG-22878-00	.SEAL 6	1				
4	7VV-22879-00	.SEAL 7	1				
5	7CG-22885-00	.SEAL 8	1				
6	7CG-22897-00	.SEAL 14	1				
7	7VV-22896-00	.SEAL 13	1				
8	90183-05061	NUT, SPRING	1				
9	7CG-23119-00	SCREW	5				
10	98507-05012	SCREW, PAN HEAD	3				
11	92907-05600	WASHER, PLATE	3				
12	7VV-228D0-00	COVER ASSY 4	1				
13	7VV-22877-00	.SEAL 5	1				
14	90149-06223	SCREW	1				
15	7VV-228E0-00	COVER ASSY 5	1				
16	7VV-22889-00	.SEAL 12	1				
17	98507-05012	SCREW, PAN HEAD	4				
18	92907-05600	WASHER, PLATE	4				



FWD
7CG1010-C110

FIG. 11 FUEL TANK

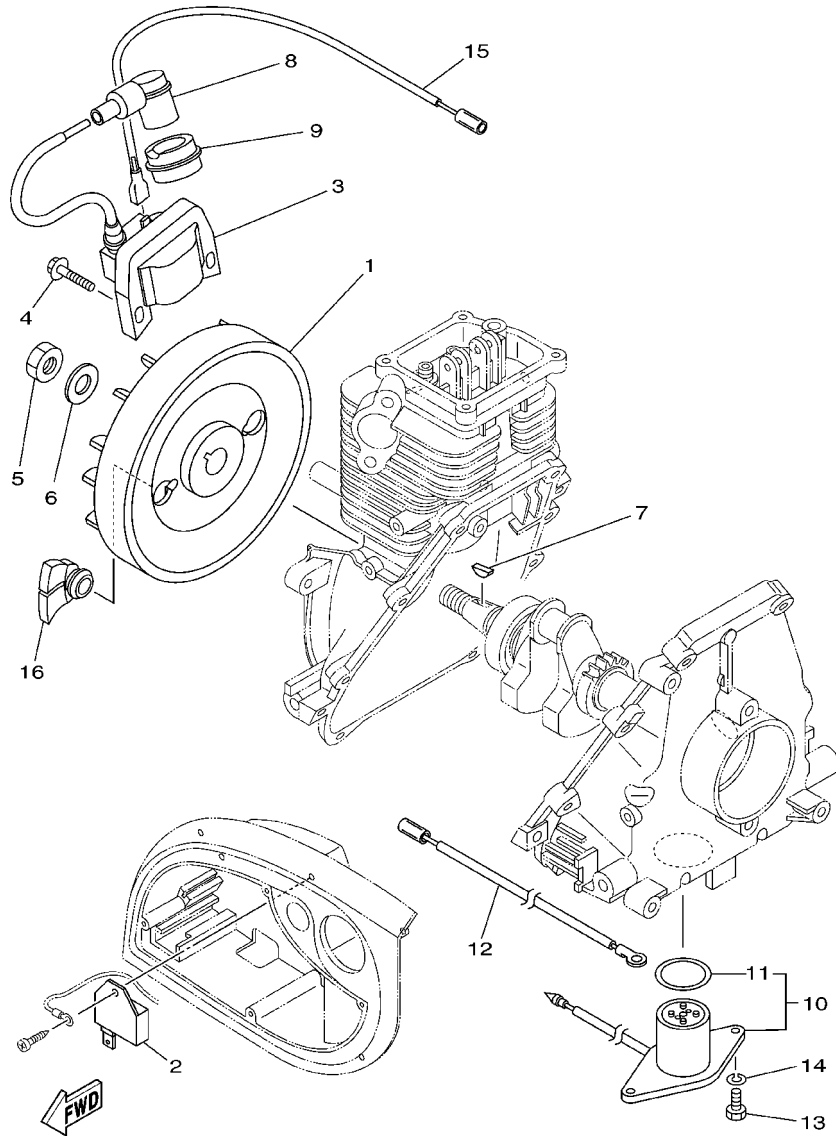
REF. NO.	PART NO.	DESCRIPTION	7CG3				REMARKS
1	7CG-24110-00	FUEL TANK COMP.	1				
2	7VV-24610-00	CAP ASSY	1				
3	7VV-24167-00	STRAINER	1				
4	7VV-24181-00	DAMPER, LOCATING 1	2				
5	7VV-24410-00	FUEL PUMP ASSY	1				
6	95807-06014	BOLT, FLANGE	2				
7	7VV-2419A-00	HOLDER	1				
8	7VV-24311-00	PIPE, FUEL 1	1				
9	7VV-24312-00	PIPE 2	1				
10	7VV-24313-00	PIPE 3	1				
11	7VV-24314-00	PIPE 4	1				
12	7VV-24575-00	LEVER, FUEL CHANGE	1				
13	7VV-48300-00	REMOCON. CABLE ASSY.	1				
14	7VV-24500-00	FUEL COCK ASSY 1	1				
15	7VV-24524-00	.LEVER, COCK	1				
16	3H3-2452K-00	.O-RING	1				
17	7VV-24533-00	.SEAL, COCK	1				
18	7VV-24544-00	BRACKET, FUEL COCK	1				
19	98507-05012	SCREW, PAN HEAD	1				
20	92907-05600	WASHER, PLATE	1				
21	95307-05700	NUT	1				
22	90183-05076	NUT, SPRING	1				
23	7VV-24545-00	SPACER, FUEL COCK	1				
24	5BM-24514-00	NET, FILTER 1	1				
25	90467-10008	CLIP	3				
26	90467-09103	CLIP	2				
27	90467-12052	CLIP	2				



7CG1010-C110

FIG. 11 FUEL TANK

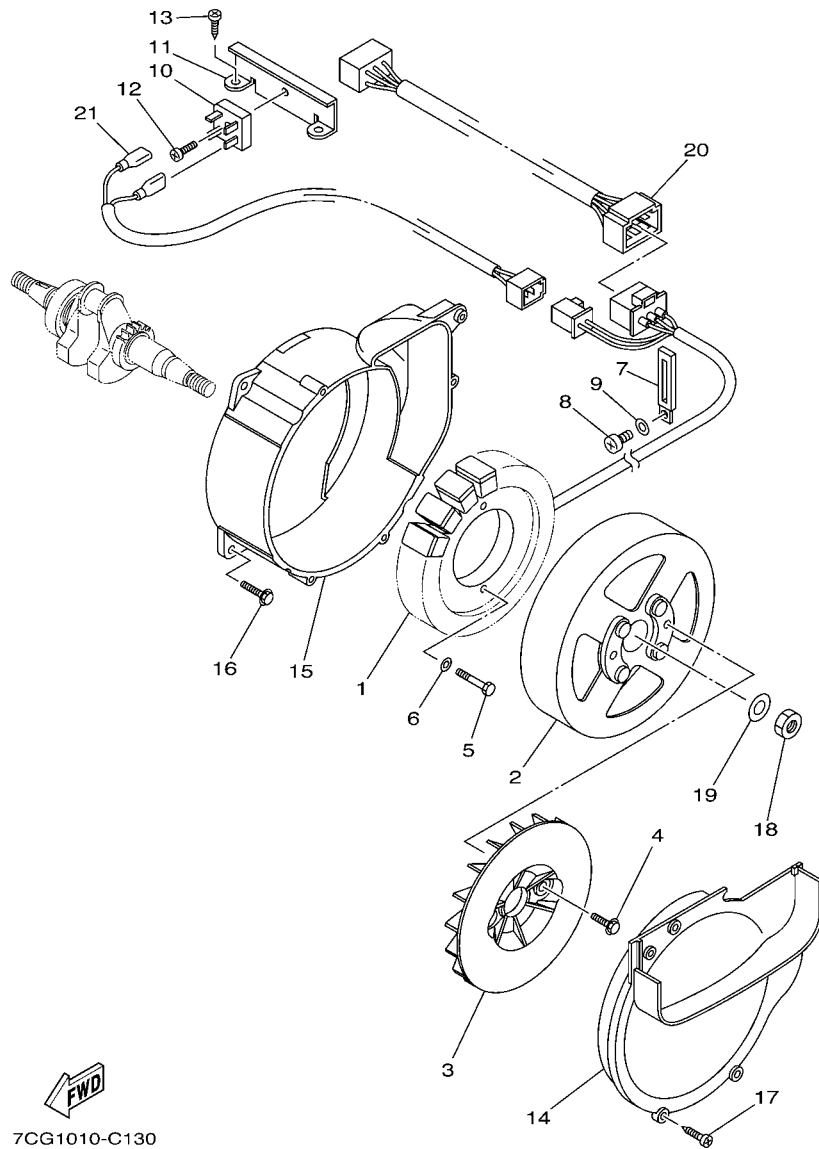
REF. NO.	PART NO.	DESCRIPTION	7CG3				REMARKS
28	97707-40014	SCREW, TAPPING	2				
29	98507-05012	SCREW, PAN HEAD	1				
30	92907-05600	WASHER, PLATE	1				



7CG1010-C121

FIG. 12 MAGNETO

REF. NO.	PART NO.	DESCRIPTION	7CG3				REMARKS
1	7VV-85650-01	ROTOR ASSY	1				
2	7VV-85640-00	T.C.I. UNIT ASSY	1				
3	7CG-82310-00	IGNITION COIL ASSY	1				
4	90105-05005	BOLT, FLANGE	2				
5	95307-10600	NUT	1				
6	92907-10600	WASHER, PLATE	1				
7	90280-03017	KEY, WOODRUFF	1				
8	7VU-82370-00	PLUG CAP ASSY	1				
9	7VV-82372-00	SEAL, PLUG CAP	1				
10	7VV-85720-00	OIL LEVEL GAUGE ASSY	1				
11	93210-27370	.O-RING	1				
12	7CG-82519-C0	WIRE, EARTH LEAD	1				
13	97007-06014	BOLT	2				
14	92907-06100	WASHER, SPRING	2				
15	7CG-85515-C0	LEAD WIRE ASSY	1				
16	7CG-82176-00	DAMPER	2				



7CG1010-C130

FIG. 13 GENERATOR

REF. NO.	PART NO.	DESCRIPTION	7CG3				REMARKS
1	7VV-87150-20	STATOR ASSY	1				
2	7VV-87160-00	ROTOR ASSY	1				
3	7VV-87172-00	FAN, GENERATOR	1				
4	95807-06012	BOLT, FLANGE	2				
5	97027-06025	BOLT	2				
6	92907-06600	WASHER, PLATE	2				
7	90462-06007	CLAMP	1				
8	98507-05010	SCREW, PAN HEAD	1				
9	92907-05600	WASHER, PLATE	1				
10	7VU-87105-00	RECTIFIER ASSY 1	1				
11	7VV-8711E-00	STAY, RECTIFIER	1				
12	98507-05014	SCREW, PAN HEAD	1				
13	97707-60512	SCREW, TAPPING	2				
14	7CG-87174-00	COVER, REAR END	1				
15	7VV-8718K-01	COVER, FRONT	1				
16	90105-05361	BOLT, FLANGE	3				
17	97707-50016	SCREW, TAPPING	4				
18	95317-10600	NUT	1				
19	92907-10600	WASHER, PLATE	1				
20	7CG-8A531-C0	WIRE COMPLETE 1	1				
21	7CG-8A532-C0	WIRE COMPLETE 2	1				

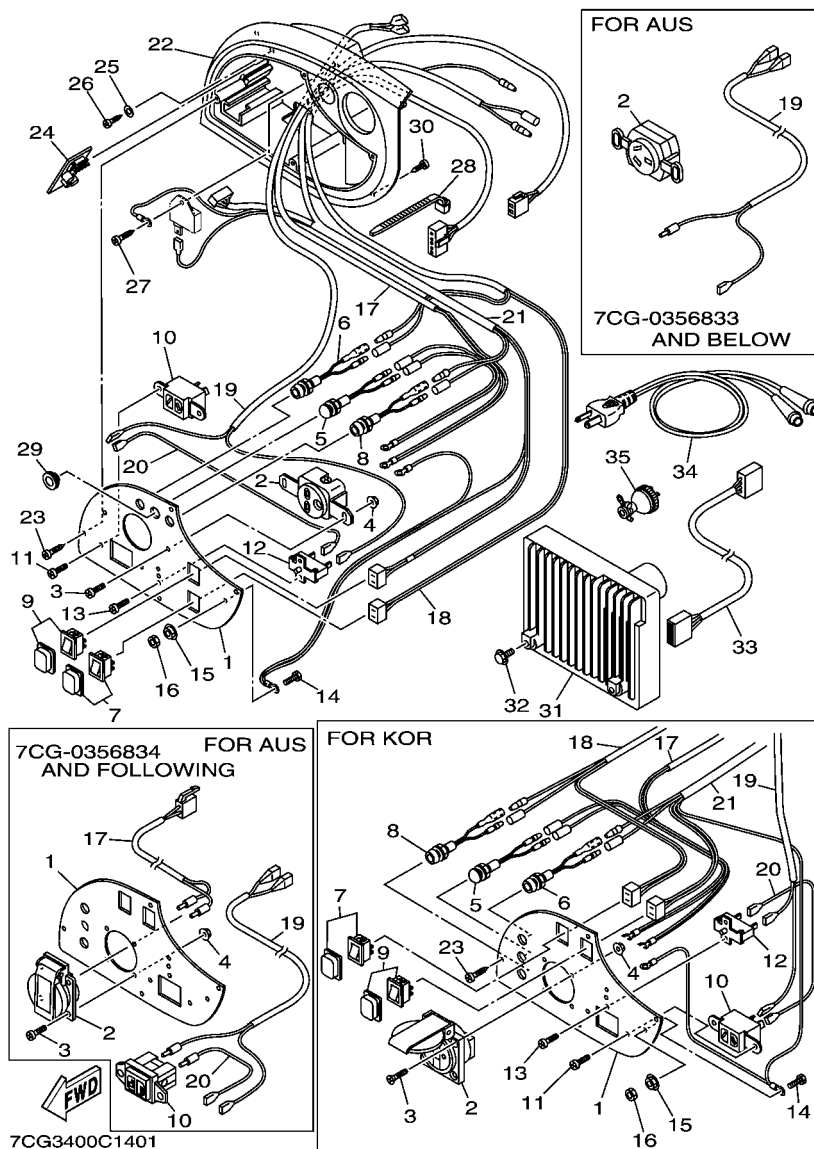


FIG. 14 CONTROL BOX

REF. NO.	PART NO.	DESCRIPTION	7CG3		REMARKS
1	7CG-87249-G0	PLATE	1		UR FOR AUS/OTH Go To PN : PE0-GE-130001
	7CG-87249-N1	PLATE	1		UR FOR AUS Go To PN : PE0-GE-130001
	7CG-87249-A0	PLATE	1		UR FOR KOR
2	7G7-87221-01	RECEPTACLE 1(WCZ1312-9)	1		UR FOR OTH
	73G-87221-90	RECEPTACLE 1 (CRIPSAL 415/15)	1		UR FOR AUS Go To PN : PE0-GE-130001
	7CK-87221-90	RECEPTACLE 1 (S230E-7-4)	1		UR FOR AUS KEDU Go To PN : PE0-GE-130001
	7H7-87221-80	RECEPTACLE 1 (ABL 6995)	1		UR FOR KOR
3	98507-04012	SCREW, PAN HEAD	2		UR FOR AUS/OTH
	90151-03032	SCREW, COUNTERSUNK	4		UR FOR KOR/AUS Go To PN : PE0-GE-130001
4	95707-04500	NUT, FLANGE	2		UR FOR AUS/OTH
	90179-03478	NUT	4		UR FOR KOR/AUS Go To PN : PE0-GE-130001
5	7NJ-83530-G0	PILOT LIGHT ASSY	1		
6	7VU-83582-00	PILOT LIGHT ASSY	1		
7	7XX-82550-00	ENGINE STOP SWITCH ASSY	1		ECON. SW (BLACK)
8	7VU-83582-00	PILOT LIGHT ASSY	1		
9	7CG-82550-C0	ENGINE STOP SWITCH ASSY	1		RED
10	7LG-87239-00	RECEPTACLE COMP. (DC 24V-12A)	1		UR FOR KOR/OTH NI
	7H8-87214-11	RECEPTACLE COMP. (WCZ 1220-125)	1		UR FOR AUS PANASO
11	98507-04008	SCREW, PAN HEAD	2		
12	7VV-82181-00	CIRCUIT BREAKER COMP. (8A)	1		HOSIDEN
13	98507-03008	SCREW, PAN HEAD	2		
14	97080-05014	BOLT	1		
15	95707-05500	NUT, FLANGE	1		
16	95380-05700	NUT	1		
17	7CG-8722W-00	WIRE, LEAD 6	1		UR FOR OTH
	7CG-8722W-N0	WIRE, LEAD 6	1		UR FOR AUS
	7CG-8722W-K0	WIRE, LEAD 6	1		UR FOR KOR

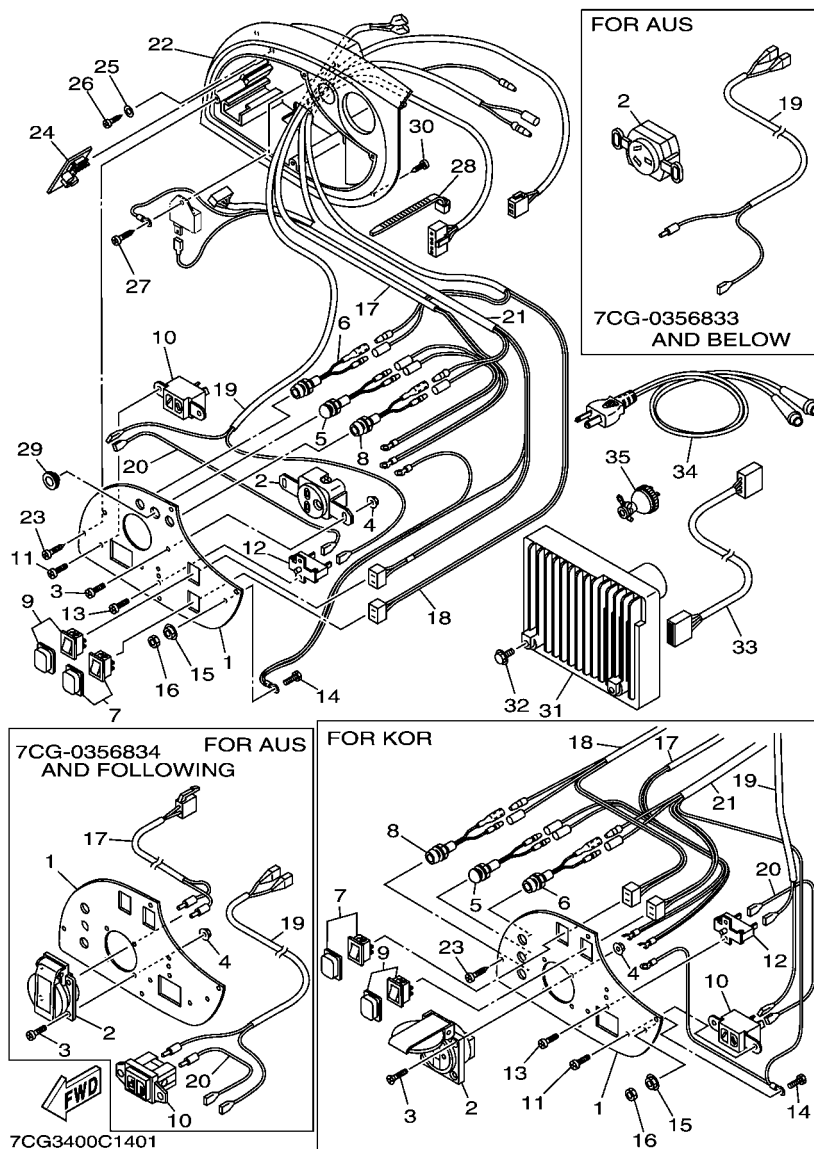


FIG. 14 CONTROL BOX

REF. NO.	PART NO.	DESCRIPTION	7CG3	REMARKS
18	7CG-8722X-40	WIRE, LEAD 5	1	
19	7CG-87224-00	WIRE, LEAD 2	1	UR FOR KOR/OTH
	7CG-87224-N0	WIRE, LEAD 2	1	UR FOR AUS Go To PN : PE0-GE-130001
	7CG-87224-N1	WIRE, LEAD 2	1	UR FOR AUS Go To PN : PE0-GE-130001
20	7VV-87223-00	WIRE, LEAD 1	1	UR FOR KOR/OTH
	7VV-87223-N0	WIRE, LEAD 1	1	UR FOR AUS
21	7CG-82507-00	WIRE, LEAD	1	UR FOR OTH
	7CG-82507-90	WIRE, LEAD	1	UR FOR AUS/KOR
22	7VV-87213-00	COVER, CONTROL BOX	1	
23	97707-40512	SCREW, TAPPING	4	
24	7VV-85680-02	SPEED LIMITER ASSY	1	
25	90201-03013	WASHER, PLATE	1	
26	97707-30512	SCREW, TAPPING	1	
27	97707-40512	SCREW, TAPPING	1	
28	7CG-87229-00	BAND	1	
29	90480-13012	GROMMET	1	
30	97707-50016	SCREW, TRUSS HEAD TAPPING	4	
31	7CG-8A210-20	CONTROL UNIT	1	UR FOR AUS/OTH
	7CG-8A210-60	CONTROL UNIT	1	UR FOR KOR
32	95807-06012	BOLT, FLANGE	2	
33	7VV-82509-00	WIRE, SUB LEAD	1	
34	7LG-87209-00	CHARGE CORD ASSY	1	UR FOR KOR/OTH
	7LJ-87209-10	CHARGE CORD ASSY	1	UR FOR AUS
35	7G7-87236-00	PLUG, AC RECEPTACLE (15A-250V)	1	UR FOR OTH

PARTS NEWS



News No.: PE0-GE-130001

Date: Jan., 7., 2013

Signature: S. Ishibashi

Cause Revision Notice Correction Sales Unit Change Others

Model	EF1000iS(7CG3)
Subject	PARTS CATALOGUE CORRECTIONS
CATALOGUE NO.	1C7CG-400E1
Time of YPEC Revision	Text, Illustration --> Jan./31/2013
	PDF Replace --> Jan./31/2013
(YPEC = Yamaha Parts Electrical Catalogue = Website parts catalogue)	

LIST CORRECTION

FIG. 14 CONTROL BOX SECTION

Fig. No.	Ref. No.	PART NO.		PART NAME	Q'TY 7CG3	*Interchangeability	
							REMARKS
14	1	OLD	7CG-87249-G0	PLATE	1		UR FOR AUS/OTH
		NEW	7CG-87249-N1	PLATE	1	○	UR FOR AUS
14	2	OLD	73G-87221-90	RECEPTACLE 1 (CRIPSAL 415/15)	1		UR FOR AUS
		NEW	7CK-87221-90	RECEPTACLE 1 (S230E-7-4)	1	○	UR FOR AUS
14	3		90151-03032	SCREW, COUNTERSUNK	4	○	UR FOR KOR/ AUS
14	4		90179-03478	NUT	4	○	UR FOR KOR/ AUS
14	19	OLD	7CG-87224-N0	WIRE, LEAD 2	1		UR FOR AUS
		NEW	7CG-87224-N1	WIRE, LEAD 2	1	○	UR FOR AUS

*Applicable Engine Serial No.

AUS : 7CG-0356834 and following

*1: Interchangeability

A	Old Parts	→	Old Parts
	New Parts	→	New Parts
B	Old Parts	→	Old Parts
	New Parts	→	New Parts
C	Old Parts	→	Old Parts
	New Parts	→	New Parts
○	These parts are interchangeable with a set		

It follows the next page.

Thank you very much for your cooperation

Parts
Manager
Check

Service
Manager
Check

Parts
Manager
File

YAMAHA MOTOR CO.,LTD
2500 Shingai Iwata Shizuoka 438-8501.Japan
Technical Publication Dept.



PARTS NEWS

News No.: PE0-GE-130001

Date: Jan., 7., 2013

Signature: S. Ishibashi

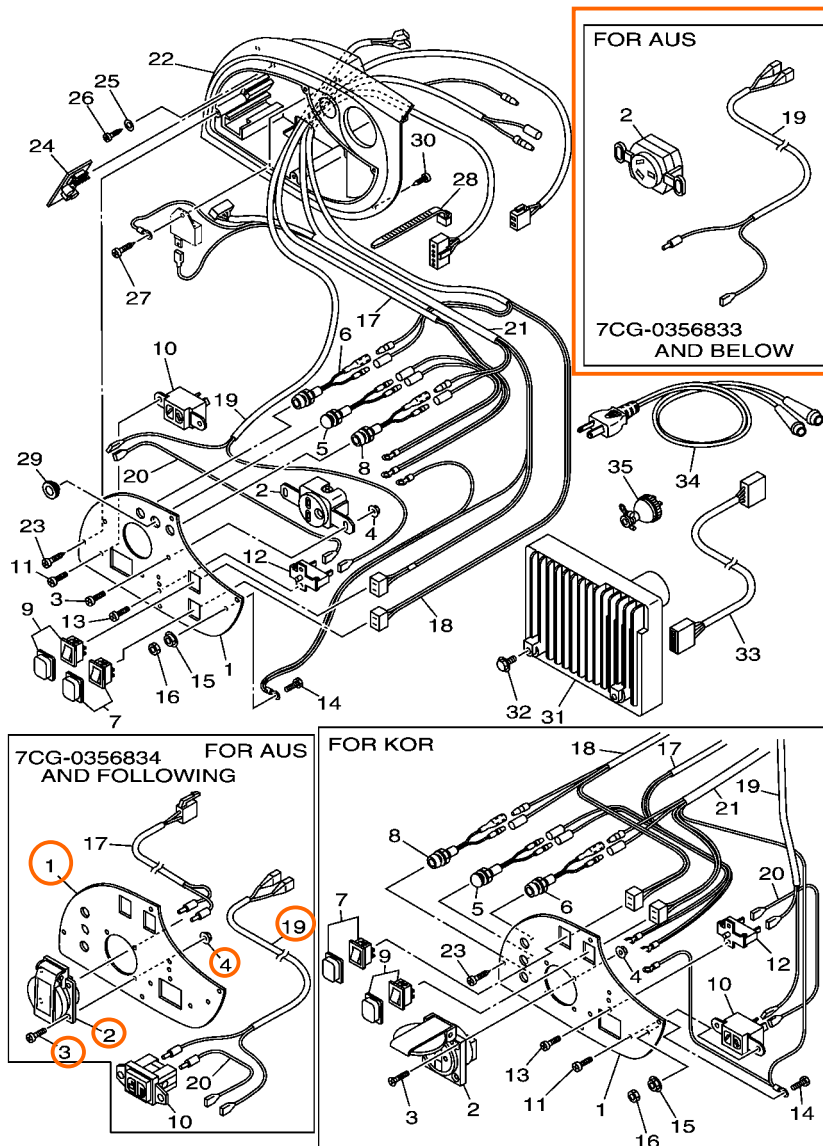
Cause Revision Notice Correction Sales Unit Change Others

Model	EF1000iS(7CG3)	
Subject	PARTS CATALOGUE CORRECTIONS	
CATALOGUE NO.	1C7CG-400E1	
Time of YPEC Revision	Text, Illustration --> Jan./31/2013	PDF Replace --> Jan./31/2013
(YPEC = Yamaha Parts Electrical Catalogue = Website parts catalogue)		

ILLUST CORRECTION

Continuation from a previous page.

FIG. 14 CONTROL BOX SECTION



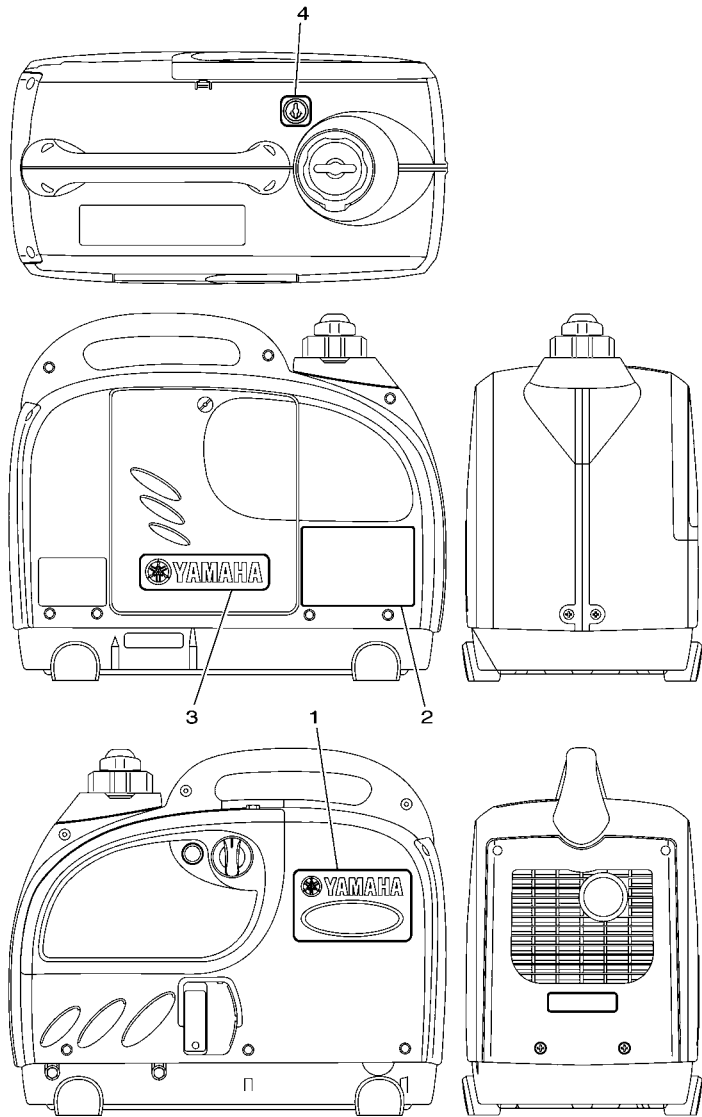
Thank you very much for your cooperation

Parts
Manager
Check

Service
Manager
Check

Parts
Manager
File

YAMAHA MOTOR CO.,LTD
2500 Shingai Iwata Shizuoka 438-8501.Japan
Technical Publication Dept.



7CG3400-C150

FIG. 15 GRAPHIC & EMBLEM

REF. NO.	PART NO.	DESCRIPTION	7CG3				REMARKS
1	7VV-24161-10	EMBLEM 1	1				(EF1000iS)
2	7VV-24162-10	EMBLEM 2 (WARNING)	1				UR FOR AUS
	7VV-24162-50	EMBLEM 2 (WARNING)	1				UR FOR CHN
	7VV-24162-A0	EMBLEM 2 (WARNING)	1				UR FOR KOR
3	7VV-24161-30	EMBLEM 1 (YAMAHA)	1				
4	7VV-24156-00	INDICATOR, STARTER LEVER	1				

NUMERICAL INDEX

PART NO.	REF. NO.	PART NO.	REF. NO.	PART NO.	REF. NO.	PART NO.	REF. NO.	PART NO.	REF. NO.	PART NO.	REF. NO.
7CG-11011-00	9 - 6	7VV-14196-01	6 - 33	7CG-22875-00	9 - 14	7VV-26331-00	5 - 15	7CG-87249-A0	14 - 1	92990-05100	6 - 16
7CG-11012-00	9 - 7	7VV-14196-10	6 - 29	7CG-22876-00	9 - 15	7VV-28100-00	9 - 22	7CG-87249-G0	14 - 1		6 - 37
J38-11116-00	8 - 5	7VV-14197-00	6 - 30	7VV-22877-00	10 - 13	7VV-48300-00	11 - 13	7CG-8A210-20	14 - 31	93102-20008	8 - 2
7VV-11161-00	8 - 7	127-14198-00	6 - 23	7CG-22878-00	10 - 3	7VV-67617-00	9 - 3	7CG-8A210-60	14 - 31	93102-20366	8 - 12
7VV-11162-00	8 - 8	7NJ-14211-00	6 - 25	7VV-22879-00	10 - 4	7VV-82181-00	14 - 12	7CG-8A531-C0	13 - 20	93210-15414	8 - 15
7VV-11166-00	1 - 5	73A-14212-00	6 - 9	7VV-22881-01	9 - 1	7CG-82310-00	12 - 3	7CG-8A532-C0	13 - 21	93210-27370	12 - 11
7VV-11190-00	1 - 2		6 - 26	7CG-22885-00	10 - 5	7VU-82370-00	12 - 8	90105-05002	4 - 8	93306-00415	8 - 11
7VV-11193-00	1 - 3	7G5-14227-00	6 - 6	7VV-22886-00	9 - 20	7VV-82372-00	12 - 9		4 - 17	93450-11120	2 - 7
7VV-11400-00	2 - 1	1HX-1423E-23-A0	6 - 22	7VV-22887-00	9 - 21	7CG-82507-00	14 - 21		4 - 31	93604-42002	3 - 11
7VV-11610-00	2 - 5	7VU-14293-00	6 - 12	7VV-22889-00	10 - 16	7CG-82507-90	14 - 21		5 - 9	93605-30002	3 - 6
7VV-11631-00	2 - 4	7VV-14411-00	5 - 5	7VV-22891-00	9 - 4	7VV-82509-00	14 - 33		9 - 11	94702-00419	1 - 1
2E9-11633-00	2 - 6	7VV-14412-00	5 - 6	7VV-22895-00	9 - 10	7CG-82519-C0	12 - 12	90105-05005	12 - 4	95307-05700	11 - 21
7VV-11650-01	2 - 2	7X9-14416-10	5 - 4	7VV-22896-00	10 - 7	7XX-82550-00	14 - 7	90105-05006	8 - 13	95307-06600	7 - 7
7VV-11654-00	2 - 3	7VV-14451-00	5 - 7	7CG-22897-00	10 - 6	7CG-82550-C0	14 - 9	90105-05361	1 - 4	95307-10600	12 - 5
7VV-12111-00	3 - 3	7VV-14453-00	5 - 10	7CG-228A0-00	9 - 12	7NJ-83530-G0	14 - 5		13 - 16	95317-10600	13 - 18
7VV-12117-00	3 - 9	7VV-14462-00	5 - 8	7CG-228B0-00	10 - 1	7VU-83582-00	14 - 6	90116-06033	8 - 4	95380-05700	14 - 16
1HX-12119-00	3 - 15	7VV-14485-00	5 - 11	7VV-228C0-00	9 - 19		14 - 8	90149-06223	10 - 14	95607-06615	8 - 3
7VV-12121-00	3 - 4	7RH-14486-00	6 - 2	7VV-228D0-00	10 - 12	7CG-85515-C0	12 - 15	90151-03032	14 - 3	95707-04500	14 - 4
7VV-12141-00	3 - 5	7VV-14613-00	7 - 8	7VV-228E0-00	10 - 15	7VV-85640-00	12 - 2	90153-05024	7 - 6	95707-05500	14 - 15
7VV-12151-00	3 - 10	7VV-1469A-00	4 - 2	7CG-23119-00	9 - 18	7VV-85650-01	12 - 1	90170-05302	3 - 13	95707-06500	5 - 14
7VV-12154-00	3 - 14	7VV-1469E-00	4 - 3		10 - 9	7VV-85680-02	14 - 24	90179-03478	14 - 4		9 - 5
7VV-12159-00	3 - 12	7VV-1469F-00	4 - 4	7VV-23364-00	10 - 2	7VV-85720-00	12 - 10	90183-05061	9 - 17	95807-06012	13 - 4
7VV-12170-02	3 - 1	7VV-14721-00	7 - 1	7VV-23383-00	9 - 16	7VU-86240-00	6 - 13		10 - 8		14 - 32
7VV-12287-01	3 - 2	7VV-14786-00	7 - 2	7CG-24110-00	11 - 1	7VU-87105-00	13 - 10	90183-05076	9 - 2	95807-06014	11 - 6
7VV-12486-00	4 - 18	7NJ-14788-00	7 - 4	7VV-24156-00	15 - 4	7VV-8711E-00	13 - 11		11 - 22	95817-06008	9 - 8
7VV-12620-00	4 - 1	7VV-1478A-00	4 - 12	7VV-24161-10	15 - 1	7VV-87150-20	13 - 1	90201-03013	14 - 25	95817-06012	9 - 9
7VV-12650-00	4 - 11	7VV-1478E-00	4 - 13	7VV-24161-30	15 - 3	7VV-87160-00	13 - 2	90280-03017	12 - 7	95827-06012	7 - 9
7VV-12668-00	4 - 5	7VV-1478F-00	4 - 14	7VV-24162-10	15 - 2	7VV-87172-00	13 - 3	90387-05624	3 - 7	97007-06014	12 - 13
7VV-12669-00	4 - 16	7NJ-14799-01	7 - 3	7VV-24162-50	15 - 2	7CG-87174-00	13 - 14	90387-05679	4 - 10	97027-06025	13 - 5
7VV-12678-00	4 - 6	7NJ-1479E-00	7 - 5	7VV-24162-A0	15 - 2	7VV-8718K-01	13 - 15	90413-05015	6 - 31	97080-05014	14 - 14
7VV-12679-00	4 - 15	7VV-1495E-2C	6 - 19	7VV-24167-00	11 - 3	7LG-87209-00	14 - 34	90462-06007	13 - 7	97707-30512	14 - 26
7VV-13556-00	5 - 3	75J-14990-00	6 - 27	7VV-24181-00	11 - 4	7LJ-87209-10	14 - 34	90467-09103	11 - 26	97707-40014	11 - 28
7G5-13556-10	5 - 2	7VV-15111-01	8 - 1	7VV-2419A-00	11 - 7	7VV-87213-00	14 - 22	90467-10008	11 - 25	97707-40512	14 - 23
7X9-13595-00	5 - 1	7VV-15121-00	8 - 10	7VV-24311-00	11 - 8	7H8-87214-11	14 - 10	90467-12052	11 - 27		14 - 27
7CG-14101-00	6 - 1	7X9-15363-00	8 - 14	7VV-24312-00	11 - 9	7G7-87221-01	14 - 2	90467-13064	5 - 13	97707-50016	4 - 7
22F-14117-00	6 - 5	7VV-15407-00	8 - 6	7VV-24313-00	11 - 10	7H7-87221-80	14 - 2	90467-280A0	5 - 12		4 - 19
7NJ-14118-00	6 - 24	7VV-15703-00	4 - 21	7VV-24314-00	11 - 11	73G-87221-90	14 - 2	90480-13012	14 - 29		13 - 17
127-14134-00	6 - 3	7VV-15710-00	4 - 20	7VV-24410-00	11 - 5	7VV-87223-00	14 - 20	90501-16708	3 - 8		14 - 30
7VV-14137-00	6 - 32	7VV-15713-00	4 - 22	4SV-24453-00	6 - 14	7VV-87223-N0	14 - 20	92907-05600	10 - 11	97707-50114	4 - 32
3LD-14139-00	6 - 35	7VV-15714-00	4 - 23	7VV-24500-00	11 - 14	7CG-87224-00	14 - 19		10 - 18	97707-60512	13 - 13
8A7-14139-00	6 - 34	7VV-15715-00	4 - 24	5BM-24514-00	11 - 24	7CG-87224-N0	14 - 19		11 - 20	98502-03006	6 - 10
620-14142-32-A0	6 - 11	7VV-15716-00	4 - 25	7VV-24524-00	11 - 15	7CG-87229-00	14 - 28		11 - 30	98507-03008	14 - 13
7VV-14150-00	6 - 28	7VV-15741-00	4 - 26	3H3-2452K-00	11 - 16	7CG-8722W-00	14 - 17		13 - 9	98507-04008	14 - 11
7CG-14162-00	6 - 20	7VV-15751-00	4 - 28	7VV-24533-00	11 - 17	7CG-8722W-K0	14 - 17	92907-06100	12 - 14	98507-04012	14 - 3
7CG-14181-00	6 - 4	7VV-15755-00	4 - 29	7VV-24544-00	11 - 18	7CG-8722W-N0	14 - 17	92907-06600	13 - 6	98507-05008	6 - 15
7X9-14185-00	6 - 7	7VV-15788-00	4 - 30	7VV-24545-00	11 - 23	7CG-8722X-40	14 - 18	92907-10600	12 - 6	98507-05010	13 - 8
22F-14186-00	6 - 21	7VV-15793-00	4 - 27	7VV-24575-00	11 - 12	7G7-87236-00	14 - 35		13 - 19	98507-05012	6 - 36
7E1-14191-00	6 - 8	7VV-22825-01	9 - 13	7VV-24610-00	11 - 2	7LG-87239-00	14 - 10	92990-04100	6 - 18		10 - 10

NUMERICAL INDEX

PART NO.	REF. NO.	PART NO.	REF. NO.	PART NO.	REF. NO.	PART NO.	REF. NO.	PART NO.	REF. NO.
98507-05012	10 - 17								
	11 - 19								
	11 - 29								
98507-05014	13 - 12								
98580-04010	6 - 17								
98907-05014	4 - 9								
99530-08012	8 - 9								