

PARTS CATALOGUE

YAMAHA GENERATOR

EF2800i (7VU3) (220V/50Hz) CHINA, OTHER

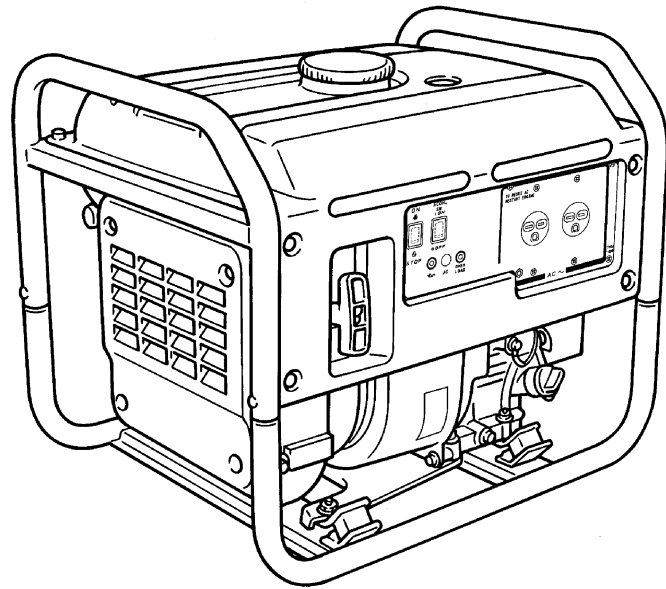
117VU-400E1

YAMAHA
GENUINE
Parts & Accessories

2010-2-16

NEWS NO.	DATE	COMMENT
PE0-GE-100003	Jan.,22.,2010	EF2800i(7VU3) PARTS CATAROGUE CORRECTIONS

EF2800i
PARTS CATALOGUE
©2001 by Yamaha Motor Co., Ltd.
1st Edition, May 2001
All rights reserved.
Any reprinting or unauthorized use
without the written permission of
Yamaha Motor Co., Ltd.
is expressly prohibited.
Printed in Japan



FOREWORD

This Parts Catalogue is related to the parts for the model(s) in the below frame. When you are ordering replacement parts, please refer to this Parts Catalogue and quote both part numbers and part names correctly.

1. Modifications or additions which have been made after issue of the Parts Catalogue will be announced in the Yamaha Parts News.
It is advisable that you make necessary corrections to the Parts Catalogue according to the Yamaha Parts News.

2. Abbreviations
The following abbreviations are used in this Parts Catalogue.

“UR” Use specified parts number.

“UN” Use as many as needed.

“AP” Alternate Parts

“LM” Local Made (Parts need to be ordered locally)

“F#” Frame No. (Applicable machine No.)

3. Parts, which are to be supplied in an assembly, are listed with a dot(.) in front of the part name as shown below.

EXAMPLE

CARBURETOR ASSY

.JET, PILOT

.NOZZLE, MAIN

4. Number of component for assembly
The numeral appearing to the right of each component part indicates the quantity of parts for each assembly unit.

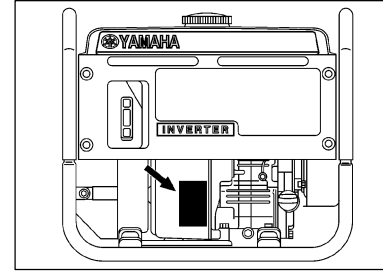
EXAMPLE

PART NO.	DESCRIPTION	Q'TY	REMARKS
2F5-83310-60	FRONT FLASHER LIGHT ASSY	2	
115-83311-60	.BULB (6V-18W)	1	

5. Applicable Starting Serial No. and Color Code

MODEL NAME	MODEL TYPE	FRAME NO.
EF2800i	7VU3	7VU-300101

Engine Serial No.



Color Code	Color Name	Abbreviation	MODEL	Country (destination)
0714	PURPLISH BLUE SOLID 3	PBS3	7VU3	CHINA OTHER

6. Note that the illustrations for reference in finding parts numbers, not to be used for assembling. When assembling, please use the applicable service manual.
7. The asterisk (*) before a reference number indicates modification items after the first edition.

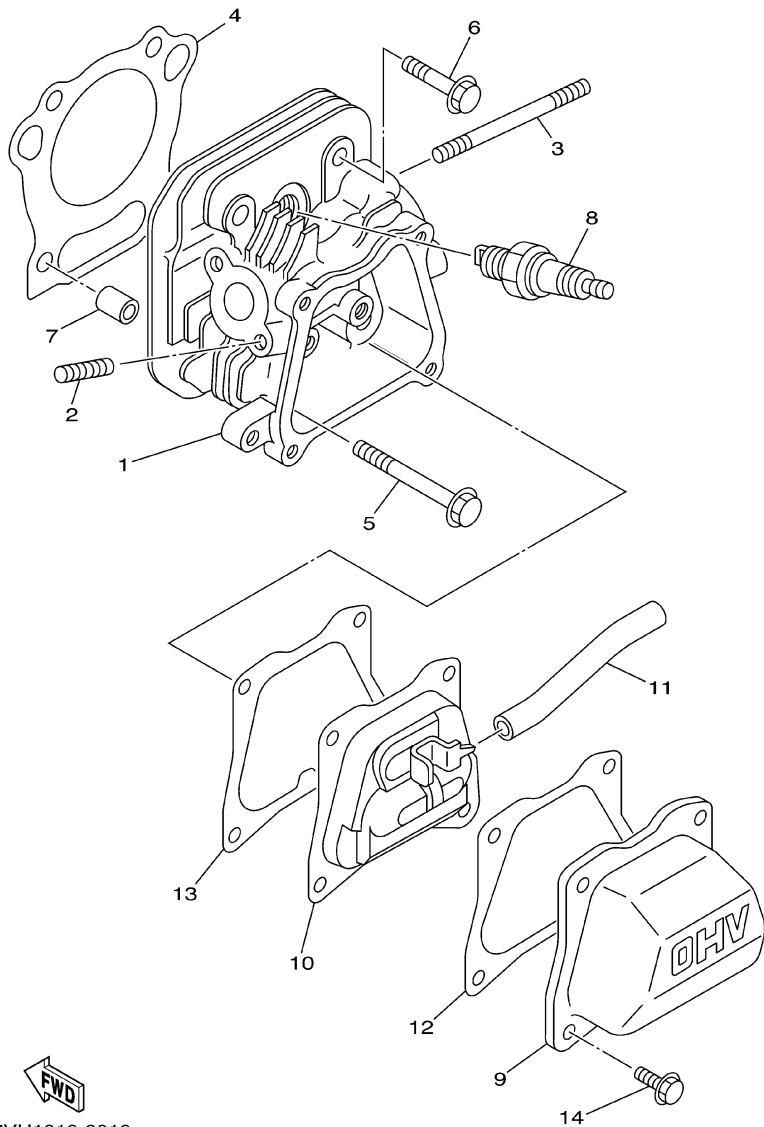
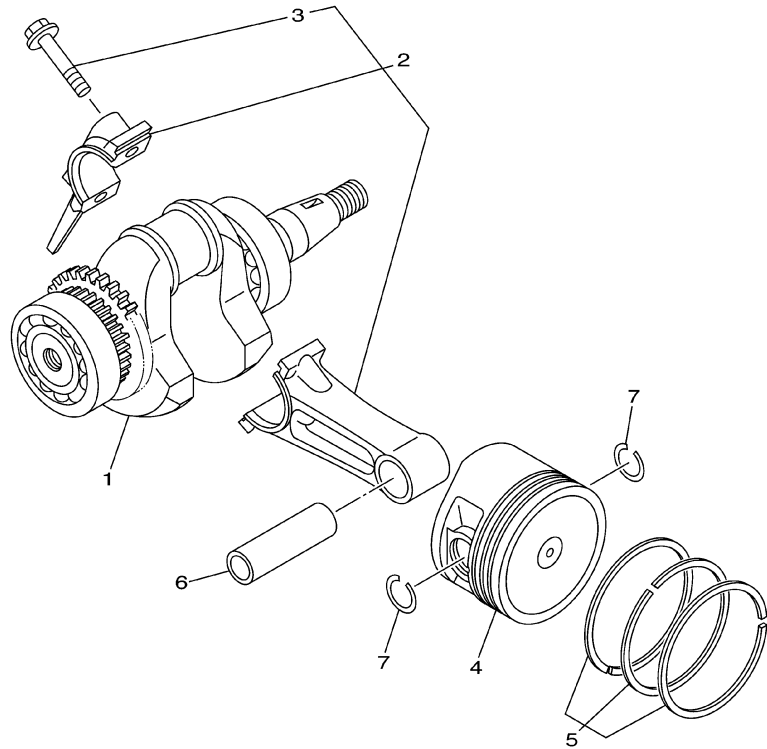


FIG. 1 CYLINDER

REF. NO.	PART NO.	DESCRIPTION	7VU3				REMARKS
1	7NJ-11111-01	HEAD, CYLINDER 1	1				
2	95607-06615	BOLT, STUD	2				
3	90116-06493	BOLT, STUD	2				
4	7NN-11181-00	GASKET, CYLINDER HEAD 1	1				
5	95827-08065	BOLT, FLANGE	2				
6	95827-08045	BOLT, FLANGE	2				
7	99530-10114	PIN, DOWEL	2				
8	94702-00331	PLUG, SPARK (NGK BPR4ES)	1				
9	7NJ-11191-00	COVER, CYLINDER HEAD 1	1				
10	7NJ-11160-00	BREATHER ASSY	1				
11	90445-131J5	HOSE (L106)	1				
12	7NJ-11169-00	GASKET, BREATHER COVER	1				
13	7NJ-11193-00	GASKET, HEAD COVER 1	1				
14	95827-06012	BOLT, FLANGE	4				

FIG. 2 CRANKSHAFT. PISTON

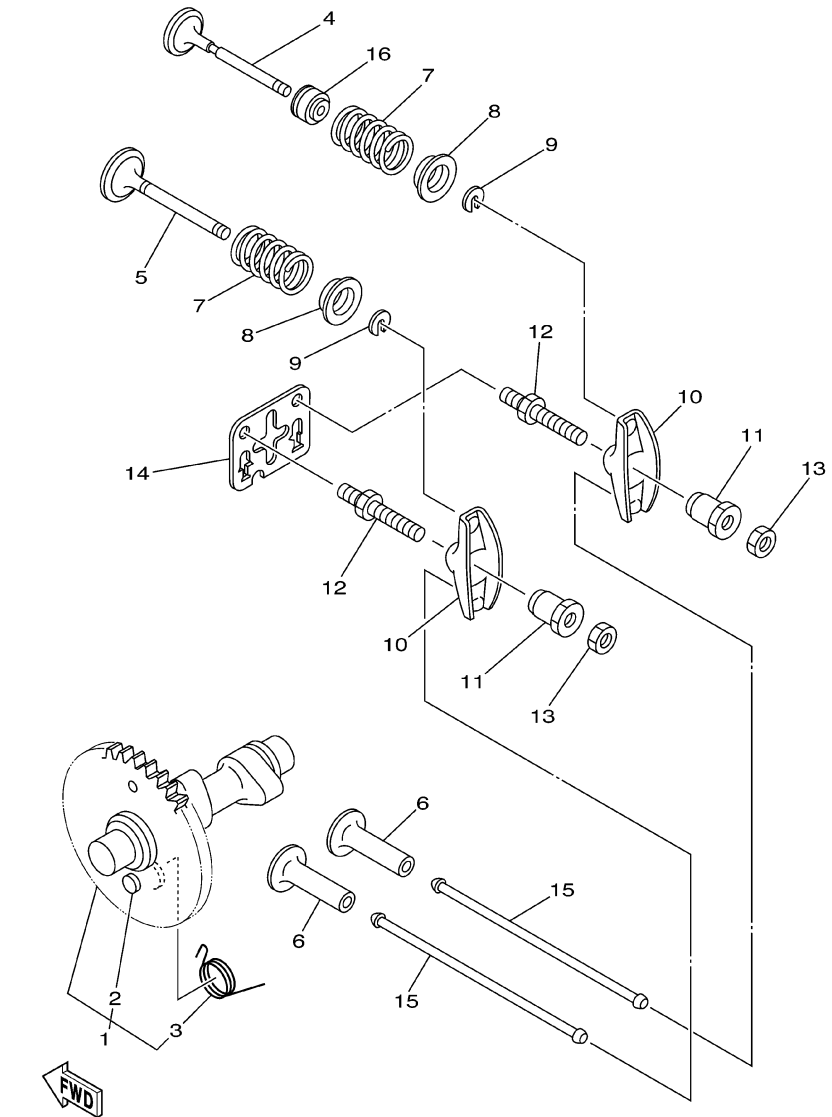


REF. NO.	PART NO.	DESCRIPTION	7VU3				REMARKS
1	7VU-11400-00	CRANKSHAFT ASSY	1				
2	7NJ-11650-00	CONNECTING ROD ASSY	1				
3	JA9-11654-01	.BOLT, CONNECTING ROD	2				
4	7NJ-11631-00-98	PISTON (STD)	1				
	7NJ-11635-00	PISTON (0.25MM O/S)	1				AP
	7NJ-11636-00	PISTON (0.50MM O/S)	1				AP
5	7NJ-11603-01	PISTON RING SET (STD)	1				
	7NJ-11604-01	PISTON RING SET (0.25MM O/S)	1				AP
	7NJ-11605-01	PISTON RING SET (0.50MM O/S)	1				AP
6	4H7-11633-00	PIN, PISTON	1				
7	93450-17025	CIRCLIP	2				



7VU1010-0020

FIG. 3 CAMSHAFT.VALVE



7VU1010-0030

REF. NO.	PART NO.	DESCRIPTION	7VU3				REMARKS
1	7NJ-12170-02	CAMSHAFT ASSY 1	1				
2	7NJ-12299-01	.BOLT, STOPPER	1				
3	7NJ-12287-00	.SPRING, DECOMPRESSION	1				
4	7NJ-12111-00	VALVE, INTAKE	1				
5	7NJ-12121-00	VALVE, EXHAUST	1				
6	JA9-12153-00	LIFTER, VALVE	2				
7	90501-205J4	SPRING, COMPRESSION	2				
8	7NJ-12117-00	RETAINER, VALVE SPRING	2				
9	7NJ-12118-00	COTTER, VALVE	2				
10	7NN-12151-00	ARM, VALVE ROCKER	2				
11	7NN-12165-01	PIVOT, ROCKER ARM	2				
12	7FK-12157-00	BOLT	2				
13	7FK-12158-00	NUT, LOCK	2				
14	7NJ-12155-00	GUIDE, PUSH ROD	1				
15	7NJ-12154-00	ROD, VALVE PUSH	2				
16	51Y-12119-00	SEAL, VALVE STEM	1				

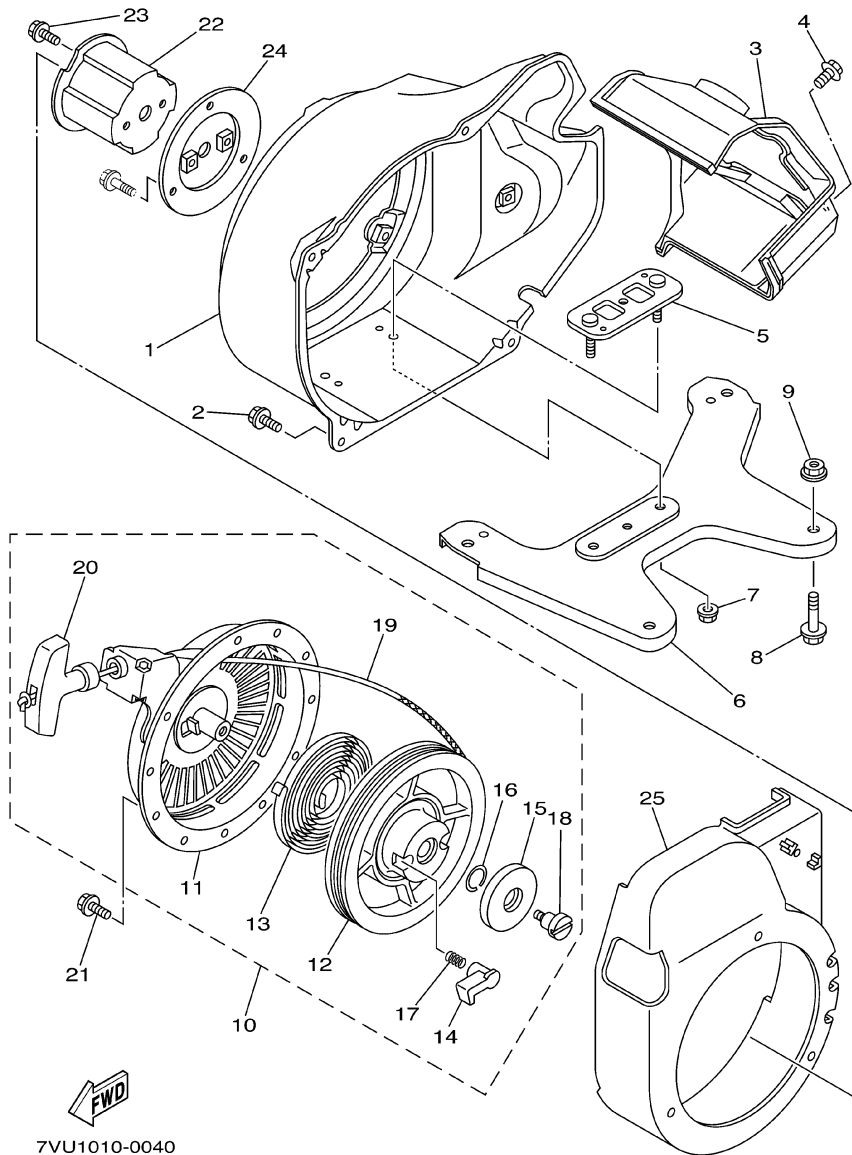
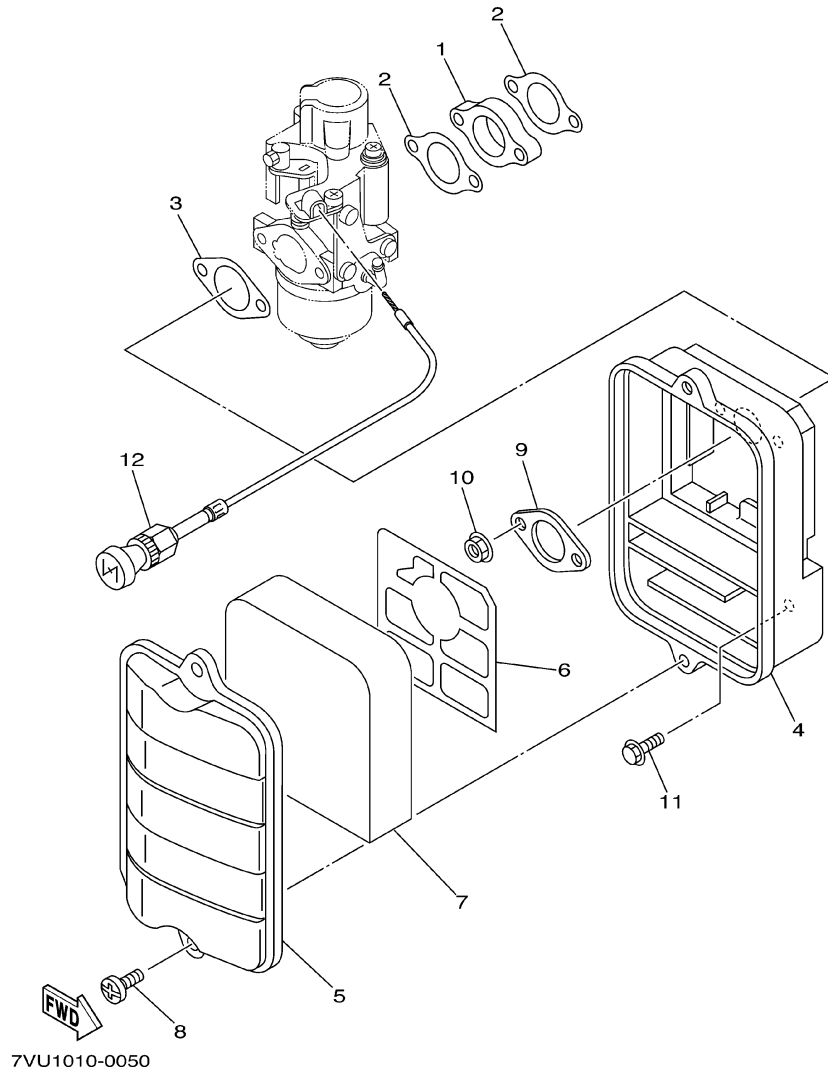


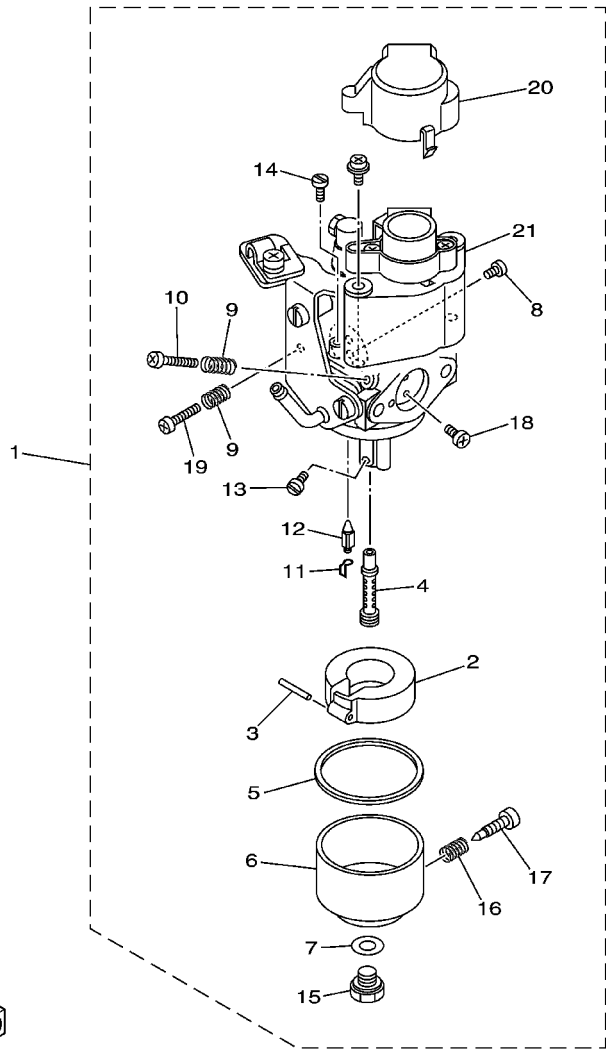
FIG. 4 AIR SHROUD. STARTER

REF. NO.	PART NO.	DESCRIPTION	7VU3				REMARKS
1	7VU-12621-00	CASE, FAN	1				
2	95807-06012	BOLT, FLANGE	4				
3	7NJ-12651-02	AIR SHROUD, CYLINDER 1	1				
4	95807-06012	BOLT, FLANGE	1				
5	7VU-12633-00	PLATE	1				
6	7VU-11011-00	BRACKET, ENGINE 1	1				
7	95707-06500	NUT, FLANGE	2				
8	95807-08030	BOLT, FLANGE	2				
9	95707-08500	NUT, FLANGE	2				
10	7VU-15710-00	STARTER ASSY	1				
11	7VU-15711-00	.CASE, STARTER	1				
12	7VU-15714-00	.DRUM, SHEAVE	1				
13	7TA-15713-00	.SPRING, STARTER	1				
14	JL8-15741-00	.PAWL, DRIVE	2				
15	7VU-15716-00	.PLATE, DRIVE	1				
16	7TA-15715-00	.SPRING, FRICTION	1				
17	JK4-15743-00	.SPRING, RETURN	2				
18	7NJ-15793-00	.SCREW	1				
19	7VU-15751-00	.WIRE, STARTER	1				
20	7TA-15755-00	.HANDLE, STARTER	1				
21	95807-06016	BOLT, FLANGE	3				
22	7VU-15723-00	PULLEY, STARTER	1				
23	95807-06008	BOLT, FLANGE	2				
24	7VU-15724-00	SPACER	1				
25	7VU-12616-00	COVER, FAN CASE	1				

FIG. 5 INTAKE



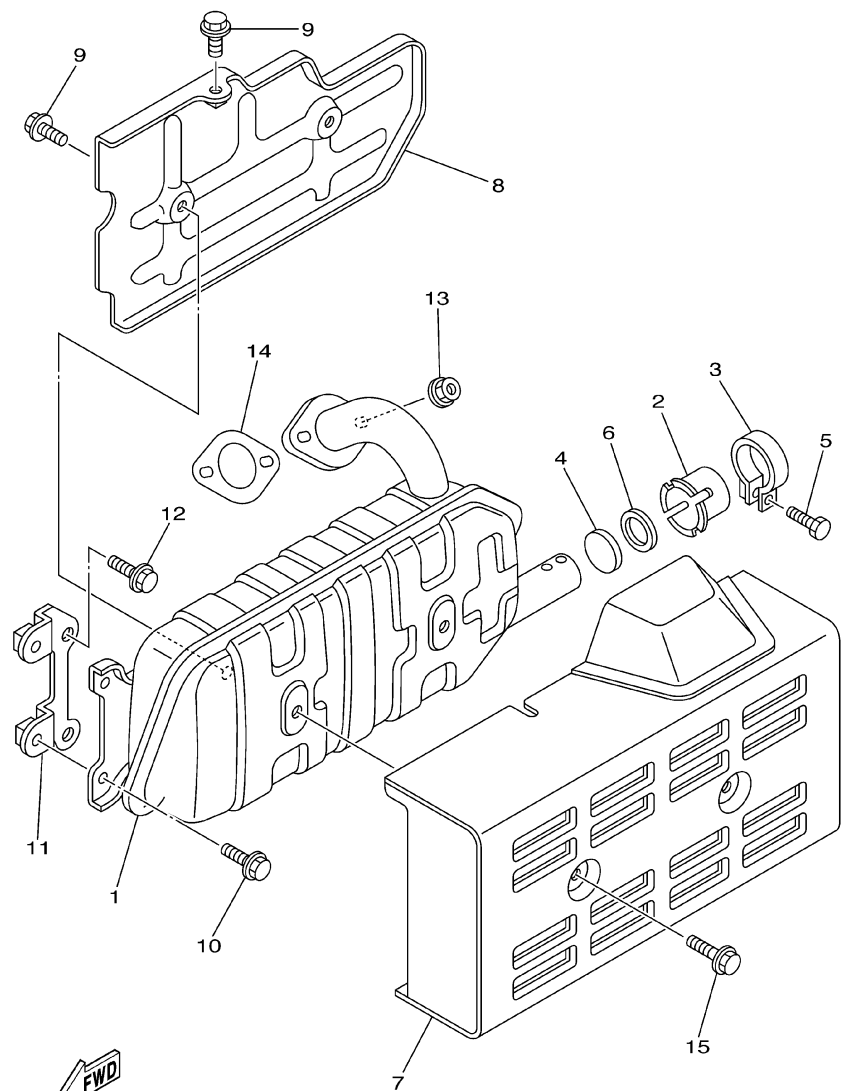
REF. NO.	PART NO.	DESCRIPTION	7VU3				REMARKS
1	7NJ-13596-00	JOINT, CARBURETOR 2	1				
2	7NJ-13557-00	GASKET	2				
3	7NJ-13567-00	GASKET	1				
4	7NJ-14411-00	CASE, AIR CLEANER 1	1				
5	7NJ-14412-00	CAP, CLEANER CASE 1	1				
6	7NJ-14468-00	PLATE,ELEMENT FITTING	1				
7	7NJ-14451-00	ELEMENT, AIR CLEANER	1				
8	90146-06014	SCREW, OVAL FILLISTER	2				
9	7NB-14477-00	PLATE	1				
10	95707-06500	NUT, FLANGE	2				
11	95807-06016	BOLT, FLANGE	1				
12	7VU-26331-00	CABLE, STARTER 1	1				



7VU1010-0062

FIG. 6 CARBURETOR

REF. NO.	PART NO.	DESCRIPTION	7VU3				REMARKS
1	7VU-14101-00	CARBURETOR ASSY 1	1				
2	7LG-14185-00	.FLOAT	1				
3	22F-14186-00	.PIN, FLOAT	1				
4	7NN-1495F-1B	.NOZZLE, MAIN	1				
5	7G0-14184-00	.GASKET, FLOAT CHAMBER	1				
6	7EG-14181-00	.BODY, FLOAT CHAMBER 1	1				
7	7G0-14227-00	.WASHER	1				
8	7RH-14486-00	.SCREW, ROD	2				
9	73A-14212-00	.SPRING	2				
10	7LV-14211-00	.SCREW, PILOT ADJUSTING	1				
11	7EG-14159-00	.CLIP	1				
12	7LG-14150-11	.NEEDLE ASSY	1				
13	1HX-1423E-35	.JET, MAIN (#88.8)	1				
14	620-14142-37	.JET, PILOT (#37.5)	1				
15	7NJ-14162-00	.BOLT, HOLDING	1				
16	73A-14212-00	.SPRING	1				
17	7E1-14191-00	.PLUG, DRAIN	1				
18	7RH-14216-00	.SCREW	2				
19	1WG-14922-00	.SCREW	1				
20	7VU-14293-00	.COVER 1	1				
21	7VU-81802-09	.MOTOR UNIT ASSY	1				

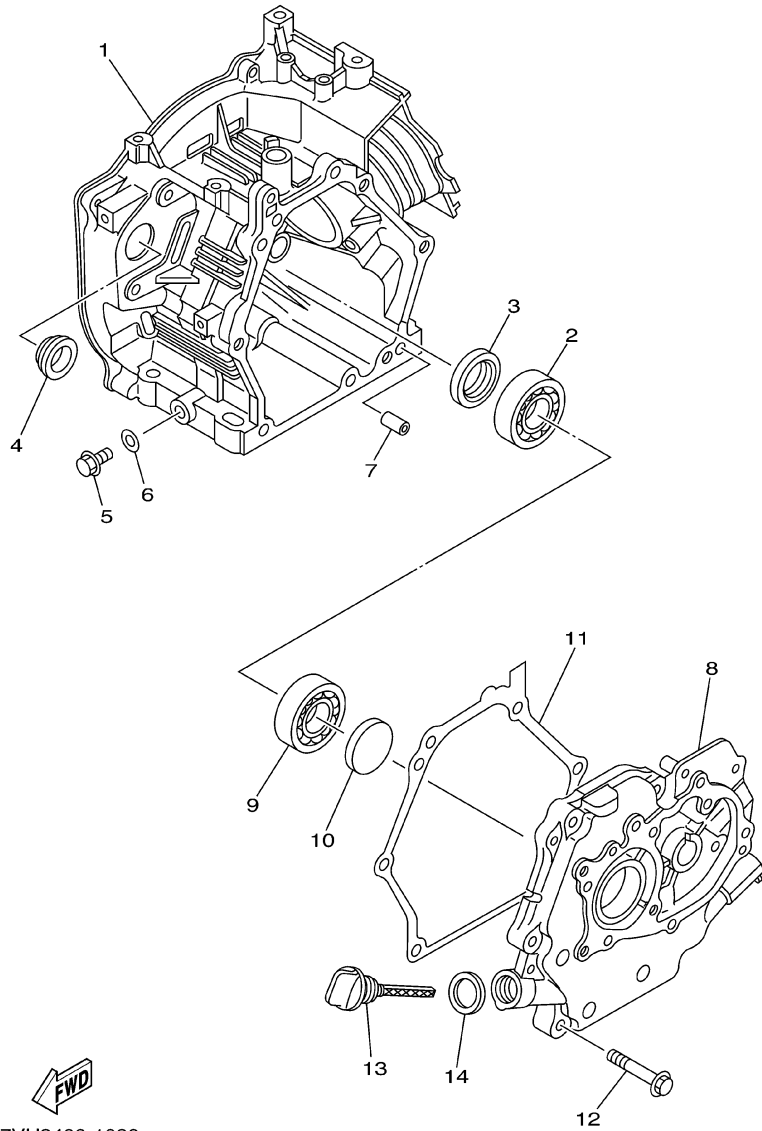


7VU1010-0070

FIG. 7 EXHAUST

REF. NO.	PART NO.	DESCRIPTION	7VU3				REMARKS
1	7VU-14711-00	MUFFLER 1	1				
2	7NJ-14799-01	CAP	1				
3	7NJ-14788-00	BAND, SILENCER	1				
4	7NJ-1479E-00	NET, WIRE 2	1				
5	90153-05024	SCREW, HEXAGON	1				
6	90201-171J5	WASHER, PLATE	1				
7	7VU-14718-00	PROTECTOR, MUFFLER 1	1				
8	7VU-14728-00	PROTECTOR, MUFFLER 2	1				
9	95827-06008	BOLT, FLANGE	3				
10	95827-06008	BOLT, FLANGE	2				
11	7VU-14781-00	STAY, MUFFLER 2	1				
12	95827-08012	BOLT, FLANGE	2				
13	95307-06600	NUT	2				
14	JA9-14613-00	GASKET, EXHAUST PIPE	1				
15	95827-06008	BOLT, FLANGE	2				

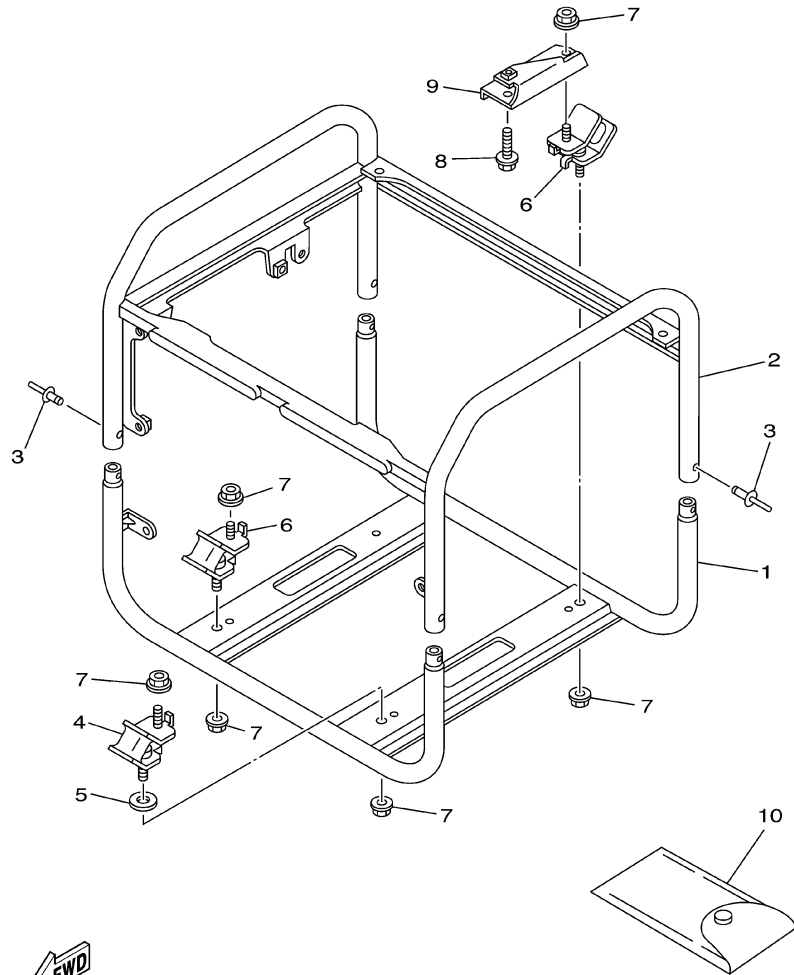
FIG. 8 CRANKCASE



7VU3400-1080

REF. NO.	PART NO.	DESCRIPTION	7VU3				REMARKS
1	7VU-15111-00	CRANKCASE 1	1				
2	93306-20511	BEARING	1				
3	93102-25090	OIL SEAL	1				
4	90480-26602	GROMMET	1				
5	95027-10016	BOLT, FLANGE	1				
6	90430-10188	GASKET	1				
7	99530-08016	PIN, DOWEL	2				
8	7VU-15411-00	COVER, CRANKCASE 1	1				
9	93306-20511	BEARING	1				
10	90338-41106	PLUG	1				
11	7NJ-15451-00	GASKET, CRANKCASE COVER 1	1				
12	95827-08035	BOLT, FLANGE	6				
13	7NN-15362-00	PLUG, OIL LEVEL	1				
14	90430-17002	GASKET	1				

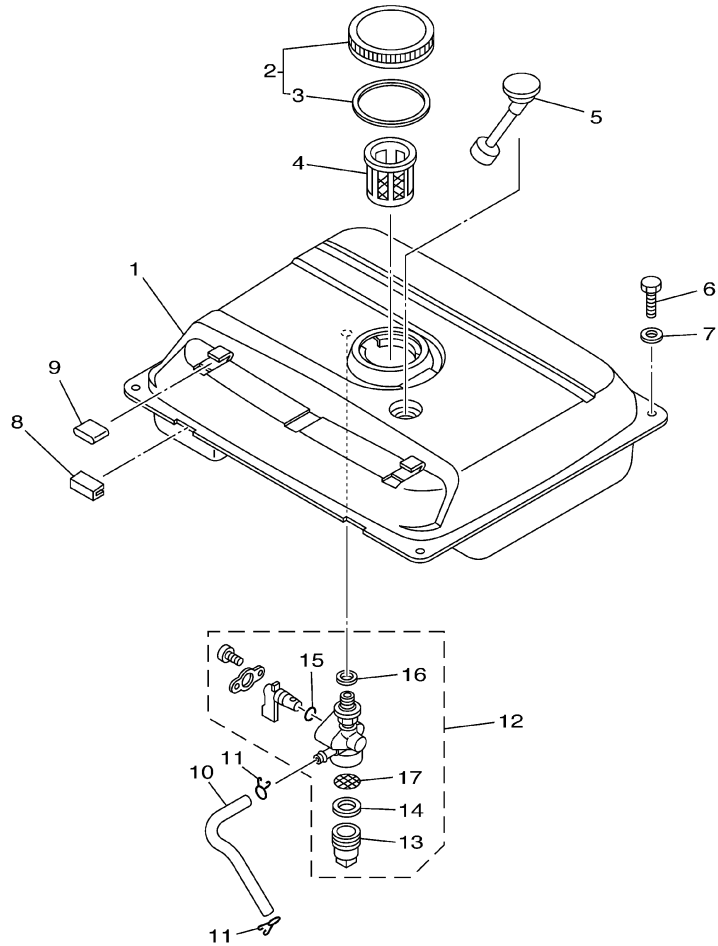
FIG. 9 FRAME




7VU3400-1090

REF. NO.	PART NO.	DESCRIPTION	7VU3				REMARKS
1	7VU-22840-00	FRAME COMP.	1				
2	7VU-22850-00	FRAME COMP. 2	1				
3	90267-48N00	RIVET, BLIND	4				
4	7VU-22891-00	INSULATOR, MOUNTING	1				
5	90201-086A3	WASHER, PLATE	1				
6	7VU-22894-00	INSULATOR, MOUNTING 2	3				
7	95707-08500	NUT, FLANGE	8				
8	95807-08030	BOLT, FLANGE	1				
9	7VU-11012-00	BRACKET, ENGINE 2	1				
10	7H6-28100-00	TOOL KIT	1				

FIG. 10 FUEL TANK

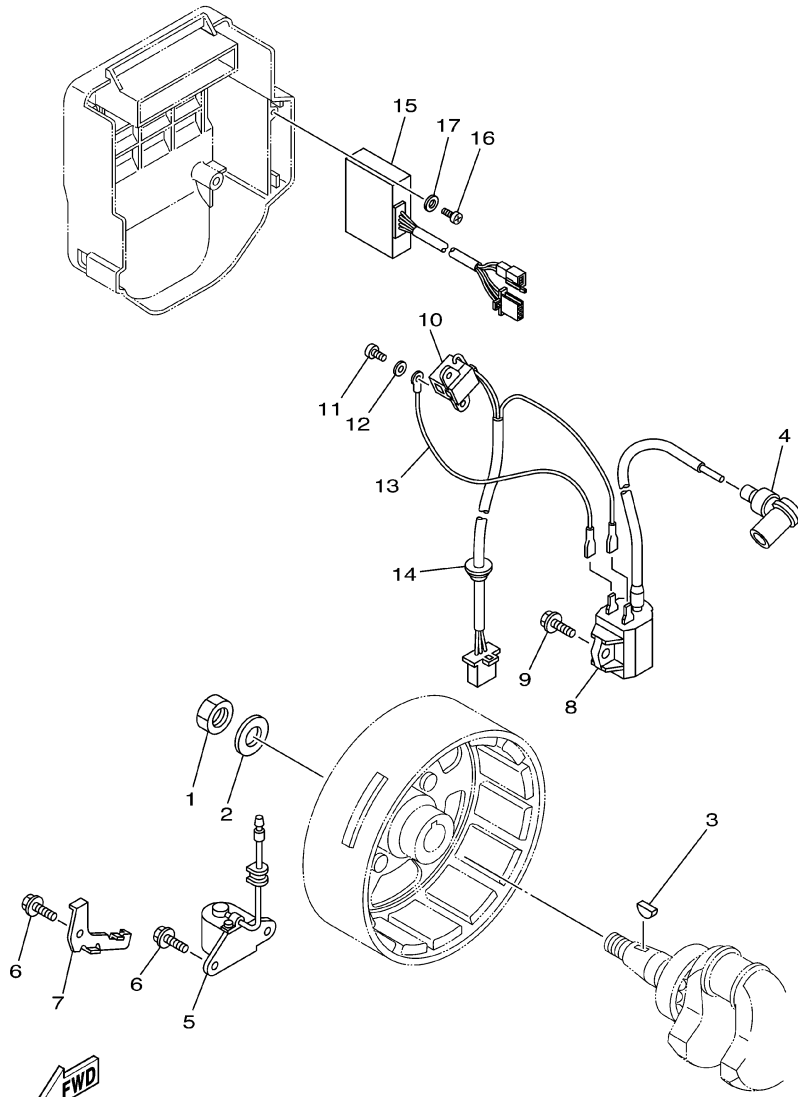


REF. NO.	PART NO.	DESCRIPTION	7VU3	REMARKS
1	7VU-24110-00-P0	FUEL TANK COMP.	1	PBS3
2	74T-24610-00	CAP ASSY	1	
3	796-24612-00	.GASKET, CAP	1	
4	630-24167-00	STRAINER	1	
5	7A9-85710-02	FUEL LEVEL GAUGE ASSY	1	
6	97007-06012	BOLT	2	
7	90201-06380	WASHER, PLATE	2	
8	7LG-24181-00	DAMPER, LOCATING 1	2	
9	2E9-24182-00	DAMPER, LOCATING 2	2	
10	7VU-24311-00	PIPE, FUEL 1	1	
11	90467-09006	CLIP	2	
12	7RA-24500-00	FUEL COCK ASSY 1	1	
13	7J3-24521-00	.CUP, FILTER	1	
14	4X8-24565-00	.GASKET	1	
15	7NJ-24534-00	.SEAL, COCK	1	
16	7NJ-24532-00	.GASKET	1	
17	7NJ-24515-01	.NET, FILTER 2	1	



7VU2110-0100

FIG. 11 MAGNETO



7VU3400-1110

REF. NO.	PART NO.	DESCRIPTION	7VU3				REMARKS
1	90170-14403	NUT	1				
2	92907-14200	WASHER	1				
3	90280-04052	KEY, WOODRUFF	1				
4	7VU-82370-00	PLUG CAP ASSY	1				
5	7NJ-85720-02	OIL LEVEL GAUGE ASSY	1				
6	95827-06012	BOLT, FLANGE	3				
7	7NJ-85724-00	CLAMP	1				
8	7VU-82310-00	IGNITION COIL ASSY	1				
9	95807-06020	BOLT, FLANGE	1				
10	7VU-85595-00	COIL, PULSER	1				
11	98507-05010	SCREW, PAN HEAD	2				
12	92907-05600	WASHER, PLATE	2				
13	7VU-82318-00	WIRE, SUB-LEAD	1				
14	90480-12013	GROMMET	1				
15	7VU-85540-20	C.D.I. UNIT ASSY	1				
16	97707-50612	SCREW, TAPPING	1				
17	90201-05032	WASHER, PLATE	1				

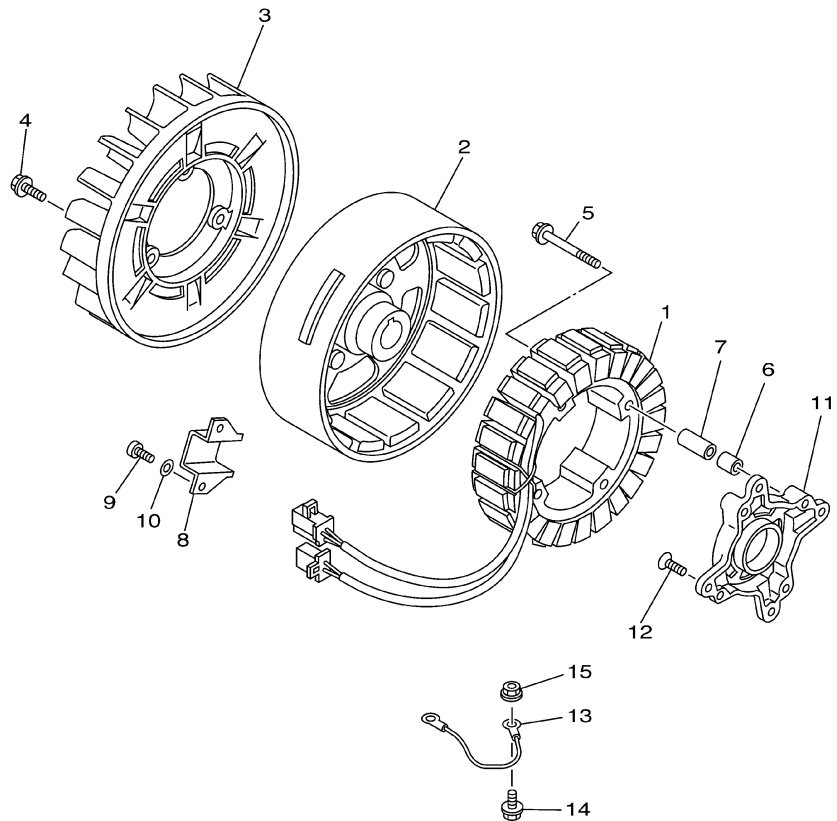


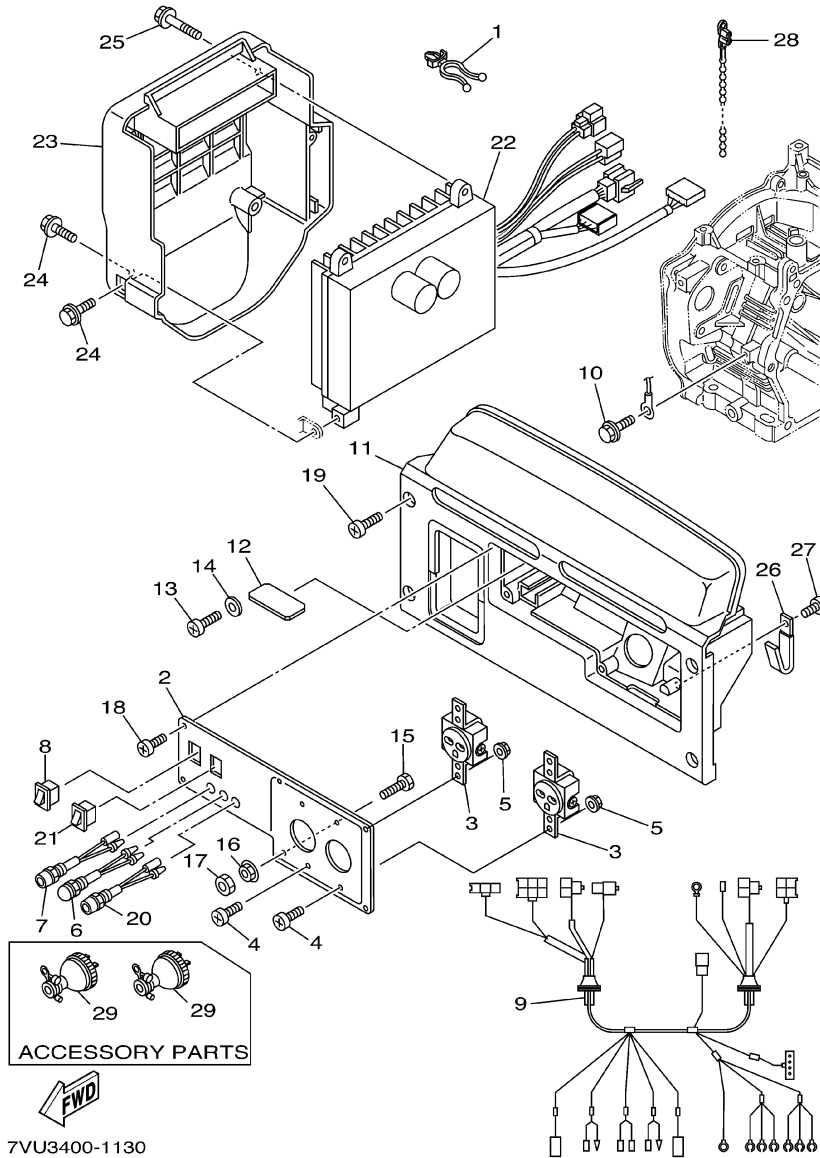
FIG. 12 GENERATOR

REF. NO.	PART NO.	DESCRIPTION	7VU3				REMARKS
1	7VU-87150-20	STATOR ASSY	1				
2	7VU-87160-00	ROTOR ASSY	1				
3	7VU-87172-00	FAN, GENERATOR	1				
4	95807-06016	BOLT, FLANGE	3				
5	95827-06045	BOLT, FLANGE	4				
6	99530-08012	PIN, DOWEL	2				
7	7VU-8719F-01	TUBE 7	2				
8	7VU-83595-00	CLAMP	1				
9	98507-05010	SCREW, PAN HEAD	2				
10	92907-05600	WASHER, PLATE	2				
11	7VU-87181-00	BRKT., GENERATOR MOUNT	1				
12	98707-06016	SCREW, FLAT HEAD	4				
13	7VU-87139-00	LEAD WIRE ASSY 2	1				
14	95880-06010	BOLT, FLANGE	1				
15	95780-06500	NUT, FLANGE	1				



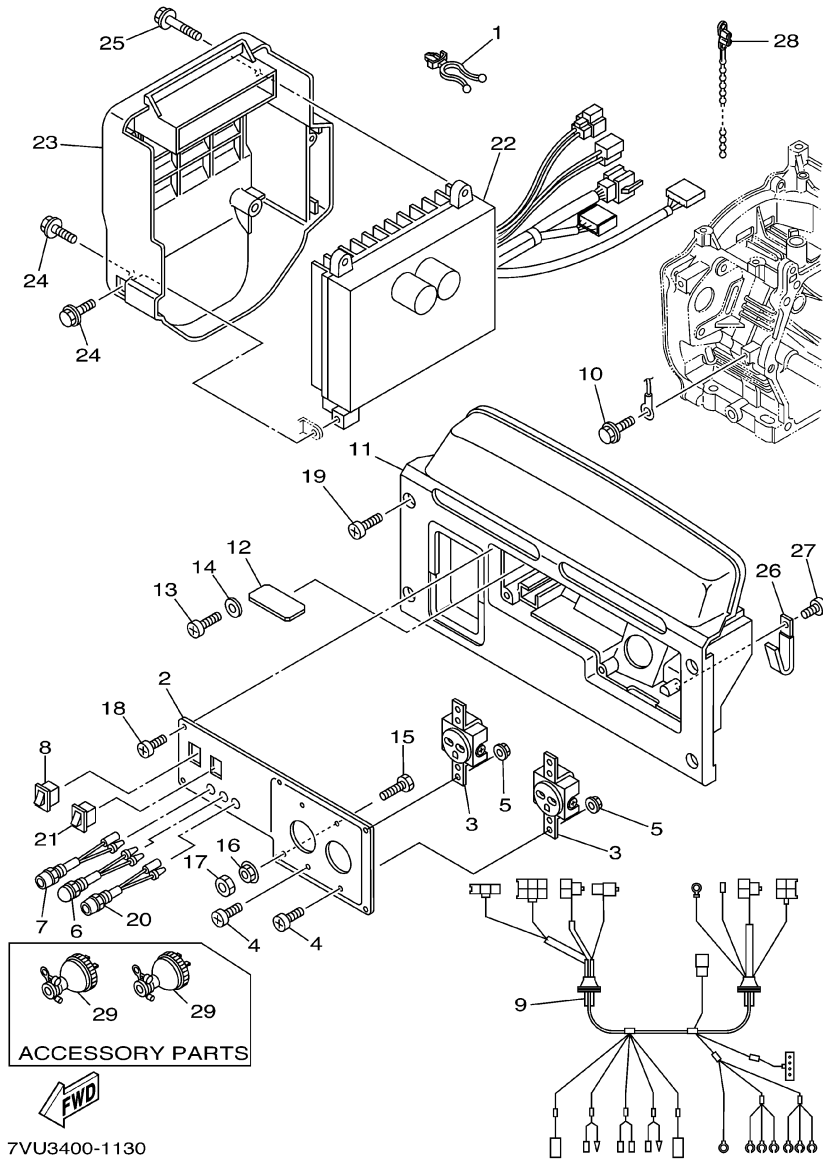
7VU3400-1120

FIG. 13 CONTROL BOX

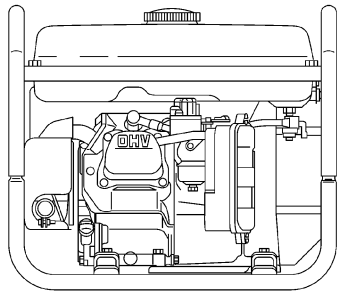
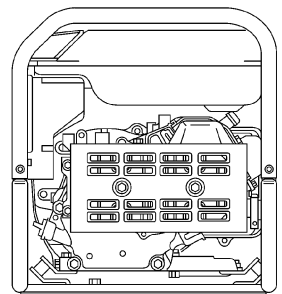
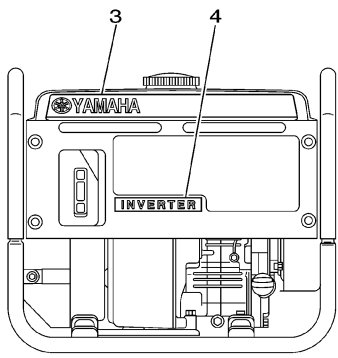
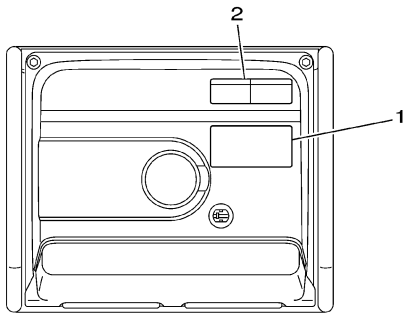


REF. NO.	PART NO.	DESCRIPTION	7VU3	REMARKS
1	90464-12M35	CLAMP	1	
2	7VU-87249-G0	PLATE	1	
3	7G7-87221-01	RECEPTACLE 1	2	NATIONAL WCZ1312-9
4	98507-04012	SCREW, PAN HEAD	4	
5	95707-04500	NUT, FLANGE	4	
6	7NJ-83530-G0	PILOT LIGHT ASSY	1	
7	7NJ-85770-00	OIL PILOT LIGHT ASSY	1	
8	7NJ-82550-00	ENGINE STOP SWITCH ASSY	1	
9	7VU-87226-G0	WIRE HARNESS ASSY	1	
10	95807-06010	BOLT, FLANGE	1	
11	7VU-87213-00	COVER, CONTROL BOX	1	
12	7VU-85690-00	OIL WARNING UNIT	1	
13	97707-30512	SCREW, TAPPING	1	
14	90201-03013	WASHER, PLATE	1	
15	97080-05016	BOLT	1	
16	95707-05500	NUT, FLANGE	1	
17	95380-05700	NUT	1	
18	97707-40516	SCREW, TAPPING	6	
19	98907-06014	SCREW, BIND	4	
20	7VU-83582-00	PILOT LIGHT ASSY	1	
21	7NJ-82550-00	ENGINE STOP SWITCH ASSY	1	ECON.SW
22	7VU-8A210-20	CONTROL UNIT	1	
23	7VU-8721G-00	COVER, CONTROL BOX 2	1	
24	95827-06012	BOLT, FLANGE	3	
25	95827-06025	BOLT, FLANGE	2	
26	90462-05059	CLAMP	1	
27	97707-60512	SCREW, TAPPING	1	

FIG. 13 CONTROL BOX



REF. NO.	PART NO.	DESCRIPTION	7VU3	REMARKS
28	90464-20031	CLAMP	1	
29	7G7-87236-00	PLUG, AC RECEPTACLE (15A-250V)	2	ACCESSORY PARTS



7VU3400-1140

FIG. 14 LABELS

REF. NO.	PART NO.	DESCRIPTION	7VU3				REMARKS
1	7NJ-24162-N0	EMBLEM 2 (WARNING)	1				
2	7TA-24162-10	EMBLEM 2 (WARNING)	1				
3	7VU-24161-10	EMBLEM 1 (YAMAHA)	1				
4	7VU-24164-00	EMBLEM 4 (INVERTER)	1				

NUMERICAL INDEX

PARTNO.	REF. NO.	PARTNO.	REF. NO.	PARTNO.	REF. NO.	PARTNO.	REF. NO.	PARTNO.	REF. NO.	PARTNO.	REF. NO.
7VU-11011-00	4 - 6	22F-14186-00	6 - 3	7NJ-24162-N0	14 - 1	90153-05024	7 - 5	95807-08030	9 - 8		
7VU-11012-00	9 - 9	7E1-14191-00	6 - 17	7TA-24162-10	14 - 2	90170-14403	11 - 1	95827-06008	7 - 9		
7NJ-11111-01	1 - 1	7LV-14211-00	6 - 10	7VU-24164-00	14 - 4	90201-03013	13 - 14		7 - 10		
7NJ-11160-00	1 - 10	73A-14212-00	6 - 9	630-24167-00	10 - 4	90201-05032	11 - 17		7 - 15		
7NJ-11169-00	1 - 12		6 - 16	7LG-24181-00	10 - 8	90201-06380	10 - 7	95827-06012	1 - 14		
7NN-11181-00	1 - 4	7RH-14216-00	6 - 18	2E9-24182-00	10 - 9	90201-086A3	9 - 5		11 - 6		
7NJ-11191-00	1 - 9	7G0-14227-00	6 - 7	7VU-24311-00	10 - 10	90201-171J5	7 - 6		13 - 24		
7NJ-11193-00	1 - 13	1HX-1423E-35	6 - 13	7RA-24500-00	10 - 12	90267-48N00	9 - 3	95827-06025	13 - 25		
7VU-11400-00	2 - 1	7VU-14293-00	6 - 20	7NJ-24515-01	10 - 17	90280-04052	11 - 3	95827-06045	12 - 5		
7NJ-11603-01	2 - 5	7NJ-14411-00	5 - 4	7J3-24521-00	10 - 13	90338-41106	8 - 10	95827-08012	7 - 12		
7NJ-11604-01	2 - 5	7NJ-14412-00	5 - 5	7NJ-24532-00	10 - 16	90430-10188	8 - 6	95827-08035	8 - 12		
7NJ-11605-01	2 - 5	7NJ-14451-00	5 - 7	7NJ-24534-00	10 - 15	90430-17002	8 - 14	95827-08045	1 - 6		
7NJ-11631-00-98	2 - 4	7NJ-14468-00	5 - 6	4X8-24565-00	10 - 14	90445-131J5	1 - 11	95827-08065	1 - 5		
4H7-11633-00	2 - 6	7NB-14477-00	5 - 9	74T-24610-00	10 - 2	90462-05059	13 - 26	95880-06010	12 - 14		
7NJ-11635-00	2 - 4	7RH-14486-00	6 - 8	796-24612-00	10 - 3	90464-12M35	13 - 1	97007-06012	10 - 6		
7NJ-11636-00	2 - 4	JA9-14613-00	7 - 14	7VU-26331-00	5 - 12	90464-20031	13 - 28	97080-05016	13 - 15		
7NJ-11650-00	2 - 2	7VU-14711-00	7 - 1	7H6-28100-00	9 - 10	90467-09006	10 - 11	97707-30512	13 - 13		
JA9-11654-01	2 - 3	7VU-14718-00	7 - 7	7VU-8A210-20	13 - 22	90480-12013	11 - 14	97707-40516	13 - 18		
7NJ-12111-00	3 - 4	7VU-14728-00	7 - 8	7VU-82310-00	11 - 8	90480-26602	8 - 4	97707-50612	11 - 16		
7NJ-12117-00	3 - 8	7VU-14781-00	7 - 11	7VU-82318-00	11 - 13	90501-205J4	3 - 7	97707-60512	13 - 27		
7NJ-12118-00	3 - 9	7NJ-14788-00	7 - 3	7VU-82370-00	11 - 4	92907-05600	11 - 12	98507-04012	13 - 4		
51Y-12119-00	3 - 16	7NJ-1479E-00	7 - 4	7NJ-82550-00	13 - 8		12 - 10	98507-05010	11 - 11		
7NJ-12121-00	3 - 5	7NJ-14799-01	7 - 2		13 - 21	92907-14200	11 - 2		12 - 9		
7NN-12151-00	3 - 10	1WG-14922-00	6 - 19	7NJ-83530-G0	13 - 6	93102-25090	8 - 3	98707-06016	12 - 12		
JA9-12153-00	3 - 6	7NN-1495F-1B	6 - 4	7VU-83582-00	13 - 20	93306-20511	8 - 2	98907-06014	13 - 19		
7NJ-12154-00	3 - 15	7VU-15111-00	8 - 1	7VU-83595-00	12 - 8		8 - 9	99530-08012	12 - 6		
7NJ-12155-00	3 - 14	7NN-15362-00	8 - 13	7VU-85540-20	11 - 15	93450-17025	2 - 7	99530-08016	8 - 7		
7FK-12157-00	3 - 12	7VU-15411-00	8 - 8	7VU-85595-00	11 - 10	94702-00331	1 - 8	99530-10114	1 - 7		
7FK-12158-00	3 - 13	7NJ-15451-00	8 - 11	7VU-85690-00	13 - 12	95027-10016	8 - 5				
7NN-12165-01	3 - 11	7VU-15710-00	4 - 10	7A9-85710-02	10 - 5	95307-06600	7 - 13				
7NJ-12170-02	3 - 1	7VU-15711-00	4 - 11	7NJ-85720-02	11 - 5	95380-05700	13 - 17				
7NJ-12287-00	3 - 3	7TA-15713-00	4 - 13	7NJ-85724-00	11 - 7	95607-06615	1 - 2				
7NJ-12299-01	3 - 2	7VU-15714-00	4 - 12	7NJ-85770-00	13 - 7	95707-04500	13 - 5				
7VU-12616-00	4 - 25	7TA-15715-00	4 - 16	7VU-86240-00	6 - 21	95707-05500	13 - 16				
7VU-12621-00	4 - 1	7VU-15716-00	4 - 15	7VU-87139-00	12 - 13	95707-06500	4 - 7				
7VU-12633-00	4 - 5	7VU-15723-00	4 - 22	7VU-87150-20	12 - 1		5 - 10				
7NJ-12651-02	4 - 3	7VU-15724-00	4 - 24	7VU-87160-00	12 - 2	95707-08500	4 - 9				
7NJ-13557-00	5 - 2	JL8-15741-00	4 - 14	7VU-87172-00	12 - 3		9 - 7				
7NJ-13567-00	5 - 3	JK4-15743-00	4 - 17	7VU-87181-00	12 - 11	95780-06500	12 - 15				
7NJ-13596-00	5 - 1	7VU-15751-00	4 - 19	7VU-8719F-01	12 - 7	95807-06008	4 - 23				
7VU-14101-00	6 - 1	7TA-15755-00	4 - 20	7VU-8721G-00	13 - 23	95807-06010	13 - 10				
620-14142-37	6 - 14	7NJ-15793-00	4 - 18	7VU-87213-00	13 - 11	95807-06012	4 - 2				
7LG-14150-11	6 - 12	7VU-22840-00	9 - 1	7G7-87221-01	13 - 3		4 - 4				
7EG-14159-00	6 - 11	7VU-22850-00	9 - 2	7VU-87226-G0	13 - 9	95807-06016	4 - 21				
7NJ-14162-00	6 - 15	7VU-22891-00	9 - 4	7G7-87236-00	13 - 29		5 - 11				
7EG-14181-00	6 - 6	7VU-22894-00	9 - 6	7VU-87249-G0	13 - 2		12 - 4				
7G0-14184-00	6 - 5	7VU-24110-00-P0	10 - 1	90116-06493	1 - 3	95807-06020	11 - 9				
7LG-14185-00	6 - 2	7VU-24161-10	14 - 3	90146-06014	5 - 8	95807-08030	4 - 8				

CONTENTS

CYLINDER	1
CRANKSHAFT. PISTON	2
CAMSHAFT.VALVE	3
AIR SHROUD. STARTER	4
INTAKE	5
CARBURETOR	6
EXHAUST	7
CRANKCASE	8
FRAME	9
FUEL TANK	10
MAGNETO	11
GENERATOR	12
CONTROL BOX	13
LABELS	15
INDEX	
NUMERICAL INDEX	16