



PARTS CATALOGUE

MZ300LHKS0 (7VCC) CHN

MZ300LHKS0
PARTS CATALOGUE
©2012 by Yamaha Motor Co., Ltd.
1st edition, September 2012
All rights reserved.
Any reprinting or unauthorized use
without the written permission of
Yamaha Motor Co., Ltd.
is expressly prohibited.
Printed in Japan.

FOREWORD

This Parts Catalogue is related to the parts for the model(s) on the cover page. When you are ordering replacement parts, please refer to this Parts Catalogue and quote both part numbers and part names correctly.

1. Modifications or additions which have been made after the issue of the Parts Catalogue will be announced in the Parts News.

It is advisable that you make the necessary corrections to the Parts Catalogue according to the Parts News.

2. Abbreviations

The following abbreviations are used in this Parts Catalogue.

“UR” Use specified parts number.

“UN” Use as many as needed.

“AP” Alternate Parts

“LM” Locally Made (Parts need to be ordered locally)

“F#” Frame No. (Applicable machine No.)

“O/S” Over Size

3. The number of components for assembly

- Parts, which are to be supplied in an assembly, are listed with a dot (.) in front of the part name as shown below.
- The numeral appearing to the right of each component part indicates the quantity of parts for each assembly unit.

PART NO.	DESCRIPTION	Q'TY	REMARKS
2F5-83310-60	FRONT FLASHER LIGHT ASSY	2	
115-83311-60	.BULB (6V-18W)	1	

4. Applicable colours of graphics are represented in the “REMARKS” as shown below.

PART NO.	DESCRIPTION	Q'TY	REMARKS
2N4-24110-00-X5	FUEL TANK COMP.	2	MXR
3J1-24240-10	.GRAPHIC, FUEL TANK	1	FOR MXR

5. Note that the illustrations for reference in finding parts numbers are not to be used for assembling. When assembling, please use the applicable service manual.

6. The asterisk (*) before a reference number indicates modified items after the first edition.

FOREWORD

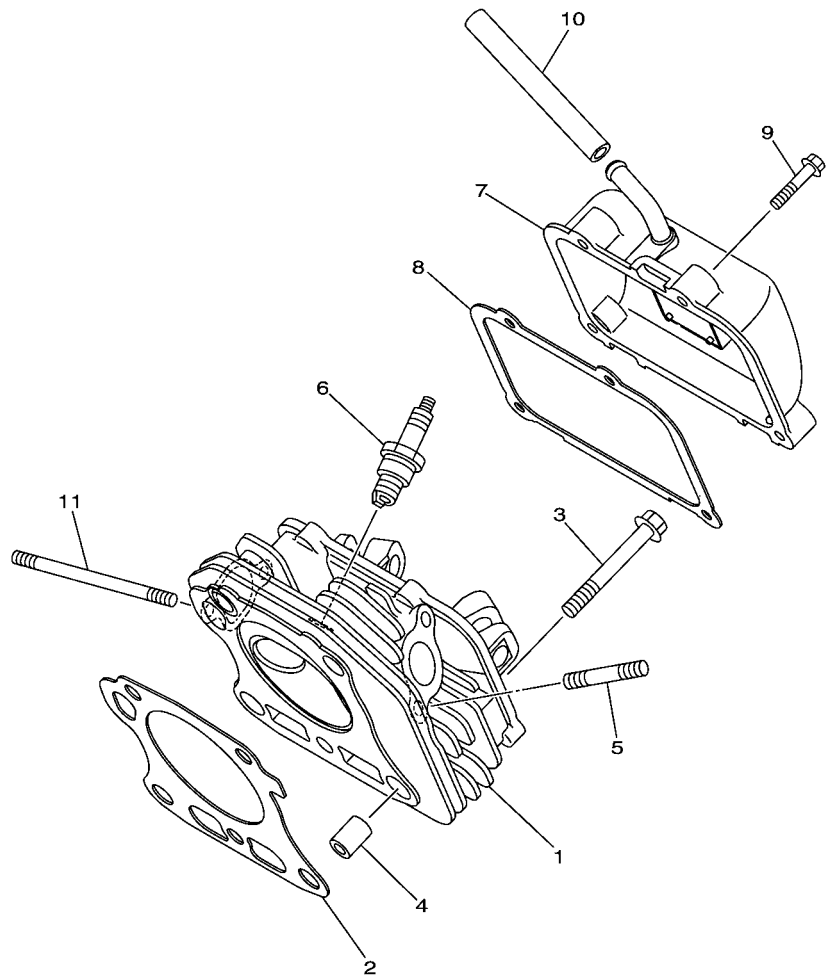
Engine Serial No.

This parts catalogue is related to the parts for the models in the list below.

MODEL CODE	MODEL NAME	SPECIFICATION (OUT LINE)	ENGINE SERIAL NO.
7VCC	MZ300LHKS0	P.T.O. SHAFT L TYPE, MOUNT FACE (mm) TANK LESS	7VCC-1000101

CONTENTS

CYLINDER	1
CRANKSHAFT	2
CRANKSHAFT & PISTON	3
GOVERNOR	4
CAMSHAFT & VALVE	5
AIR SHROUD & STARTER	6
INTAKE	7
CARBURETOR	8
CRANKCASE COVER 1	9
MAGNETO	10
STARTING MOTOR	11
BODY FITTING	12
EMBLEM & LABEL	13
INDEX	
NUMERICAL INDEX	14



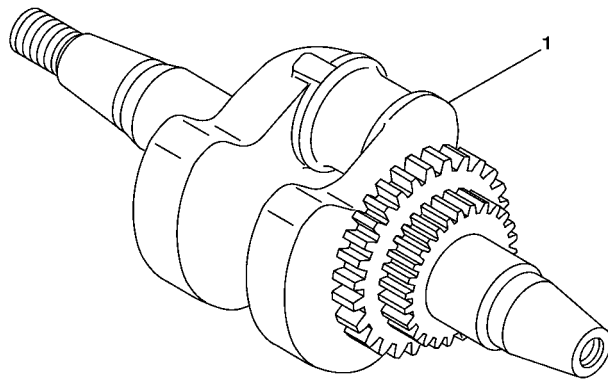
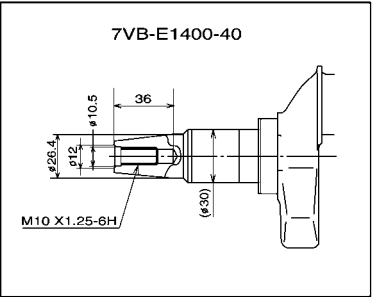

 7VBJ110-K010

FIG. 1 CYLINDER

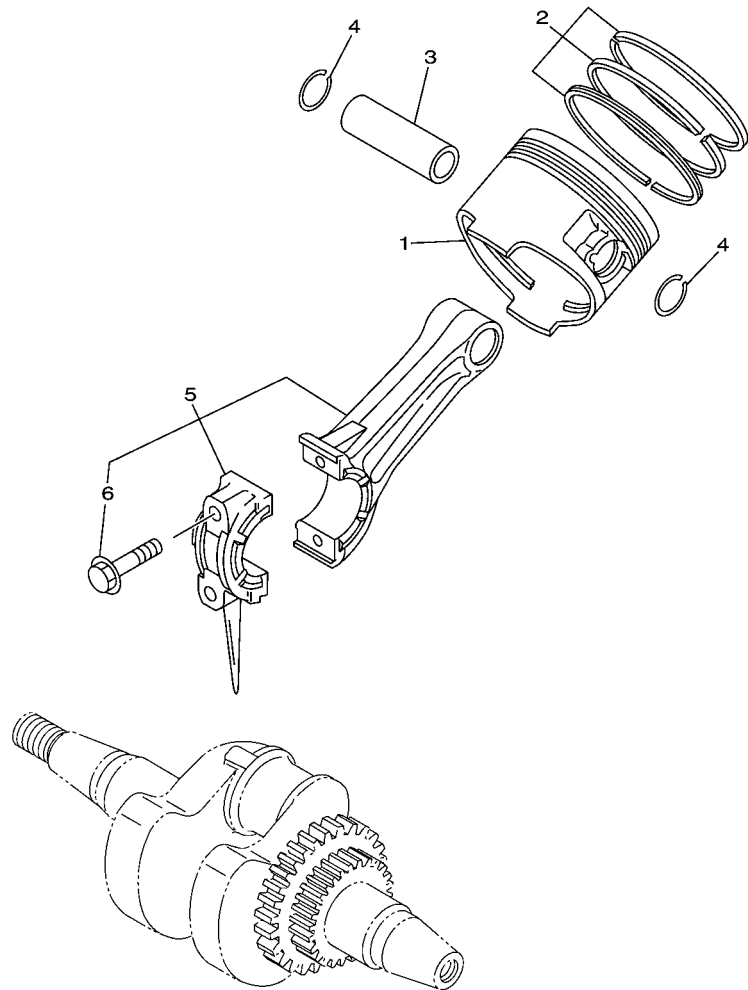
REF. NO.	PART NO.	DESCRIPTION	7VCC				REMARKS
1	7VB-E1111-02	HEAD, CYLINDER 1	1				
2	7VB-E1181-01	GASKET, CYLINDER HEAD 1	1				
3	95812-10070	BOLT, FLANGE	5				
4	99530-14016	PIN, DOWEL	2				
5	95622-08618	BOLT, STUD	2				
6	94702-00819	PLUG, SPARK (NGK BPR4ES)	1				
7	7VB-E1190-00	COVER, CYLINDER HEAD 1	1				
8	7VB-E1193-01	GASKET, HEAD COVER 1	1				
9	95822-06030	BOLT, FLANGE	4				
10	7CT-E1166-00	PIPE, BREATHER 1	1				
11	90116-06821	BOLT, STUD	2				

FIG. 2 CRANKSHAFT

REF. NO.	PART NO.	DESCRIPTION	7VCC					REMARKS
1	7VB-E1400-40	CRANKSHAFT ASSY	1					



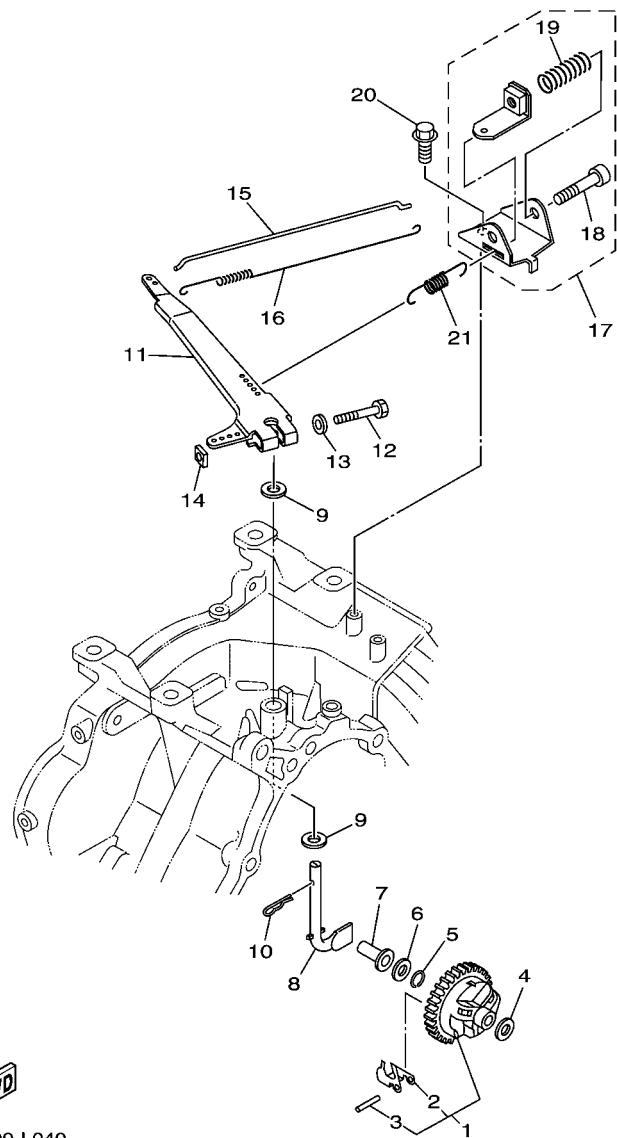
7VCC400-L020




 7VCC400-L030

FIG. 3 CRANKSHAFT & PISTON

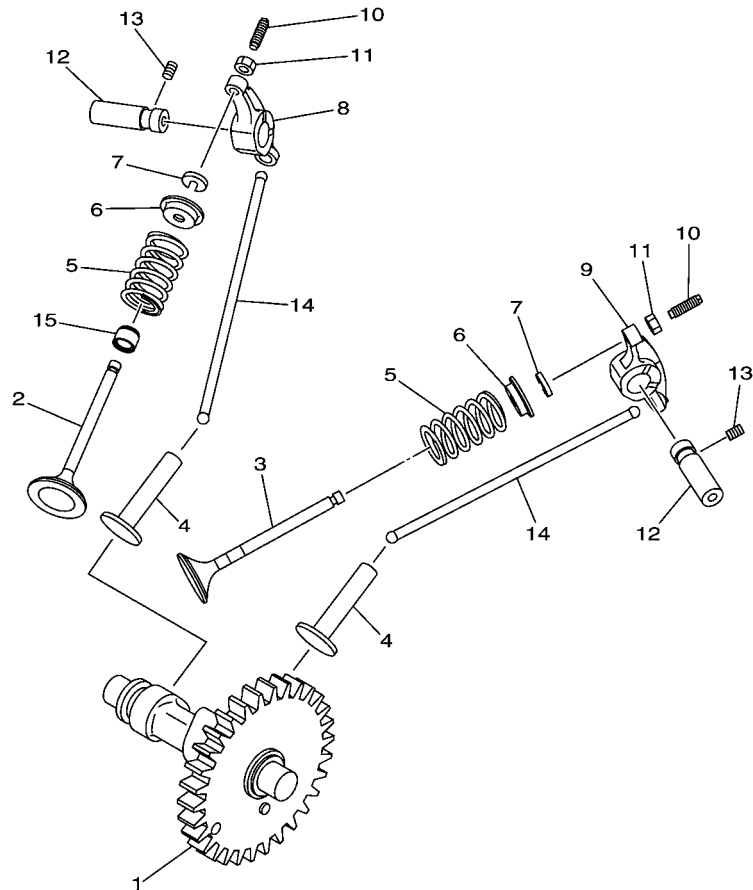
REF. NO.	PART NO.	DESCRIPTION	7VCC				REMARKS
1	7VB-E1631-00-A0	PISTON (STD)	1				
	7VB-E1635-00	PISTON (0.25MM O/S)	1				AP
	7VB-E1635-00	PISTON (0.25MM O/S)	1				AP
2	7VB-E1610-01	PISTON RING SET (STD)	1				
	7VB-E1610-10	PISTON RING SET (0.25MM O/S)	1				AP
	7VB-E1610-20	PISTON RING SET (0.50MM O/S)	1				AP
3	7VB-E1633-00	PIN, PISTON	1				
4	93450-20839	CIRCLIP	2				
5	7VB-E1650-00	CONNECTING ROD ASSY	1				
6	7CT-E1654-00	.BOLT, CONNECTING ROD	2				



7VCC400-L040

FIG. 4 GOVERNOR

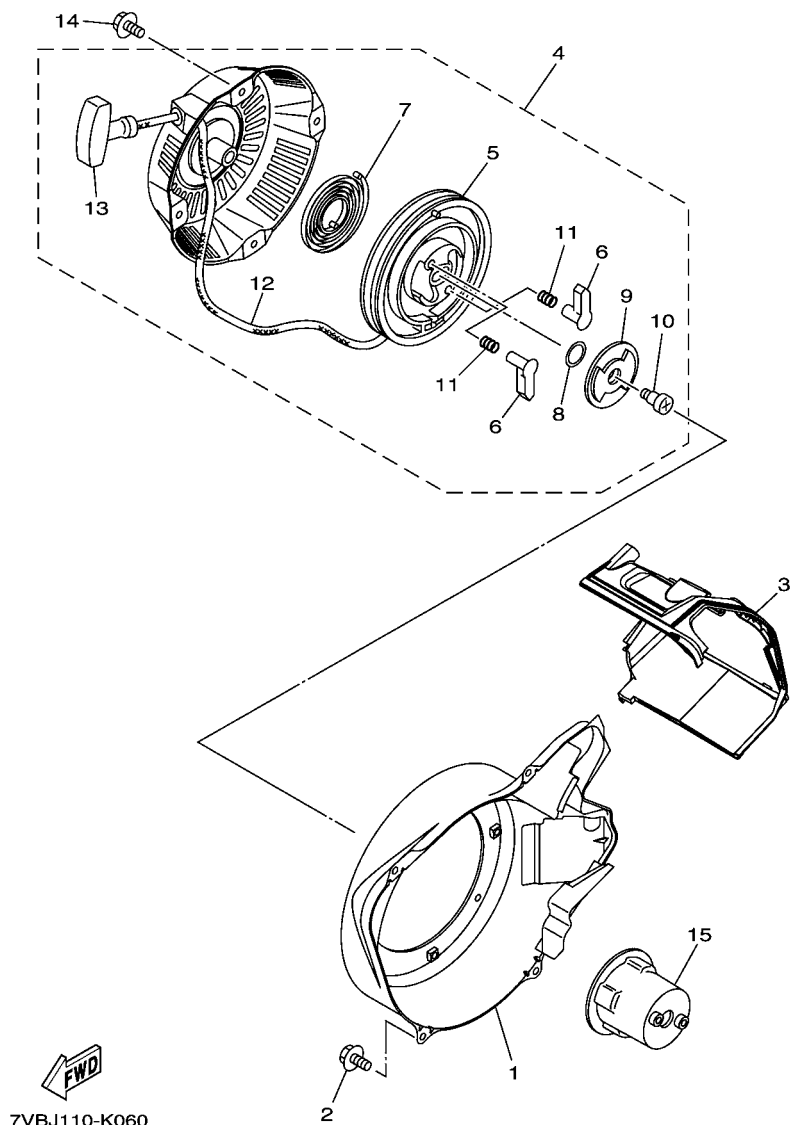
REF. NO.	PART NO.	DESCRIPTION	7VCC				REMARKS
1	7CT-E1970-10	FLYWEIGHT SHAFT ASSY.	1				
2	7CT-E1913-00	.WEIGHT	3				
3	7CT-E1914-00	.SHAFT, WEIGHT	3				
4	90201-06842	WASHER, PLATE	1				
5	93440-06826	CIRCLIP	1				
6	90201-067L0	WASHER, PLATE	1				
7	7CT-E1917-00	COLLAR	1				
8	7VB-E1922-00	FORK, GOVERNOR	1				
9	90201-08858	WASHER, PLATE	2				
10	90468-18800	CLIP	1				
11	7VB-E1924-00	ARM, GOVERNOR	1				
12	97022-06030	BOLT, HEXAGON	1				
13	92902-06600	WASHER, PLATE	1				
14	90173-06802	NUT, SQUARE	1				
15	7VB-E1928-00	ROD, LINK	1				
16	90506-04802	SPRING, TENSION	1				
17	7CN-E1950-00	ADJUST PLATE COMP.	1				
18	98502-06035	.SCREW, PAN HEAD	1				
19	90501-10812	.SPRING, COMPRESSION	1				
20	95802-06012	BOLT, FLANGE	1				
21	7VB-E1925-00	SPRING, GOVERNOR	1				




 7VBJ110-K050

FIG. 5 CAMSHAFT & VALVE

REF. NO.	PART NO.	DESCRIPTION	7VCC				REMARKS
1	7CR-E2170-00	CAMSHAFT ASSY 1	1				
2	7VB-E2111-00	VALVE, INTAKE	1				
3	7VB-E2121-00	VALVE, EXHAUST	1				
4	7VB-E2153-00	LIFTER, VALVE	2				
5	90501-264A9	SPRING, COMPRESSION	2				
6	7CT-E2117-00	RETAINER, VALVE SPRING	2				
7	7CT-E2118-00	LOCK, VALVE SPRING RETAINER	2				
8	7VB-E2151-00	ARM, VALVE ROCKER	1				
9	7VB-E2161-00	ARM, VALVE ROCKER 2	1				
10	7CT-E2159-00	SCREW, VALVE ADJUSTING	2				
11	90170-05806	NUT	2				
12	7VB-E2156-00	SHAFT, ROCKER 2	2				
13	90113-05800	BOLT, SET	2				
14	7VB-E2154-00	ROD, VALVE PUSH	2				
15	7CT-E2119-00	SEAL, VALVE STEM	1				



7VBJ110-K060

FIG. 6 AIR SHROUD & STARTER

REF. NO.	PART NO.	DESCRIPTION	7VCC				REMARKS
1	7VB-E2621-00	CASE, FAN	1				
2	95802-06012	BOLT, FLANGE	4				
3	7VB-E2651-00	AIR SHROUD, CYLINDER 1	1				
4	7VB-E5710-00	STARTER ASSY	1				
5	7CT-E5714-00	.DRUM, SHEAVE	1				
6	7VB-E5741-00	.PAWL, DRIVE	2				
7	7CT-E5713-00	.SPRING, STARTER	1				
8	7CN-E5715-00	.SPRING, FRICTION	1				
9	7CT-E5716-00	.PLATE, DRIVE	1				
10	7CN-E5793-00	.SCREW	1				
11	7CN-E5743-00	.SPRING, RETURN	2				
12	7CT-E5751-00	.WIRE, STARTER	1				
13	7CN-E5755-00	.HANDLE, STARTER	1				
14	95802-06008	BOLT, FLANGE	4				
15	7VB-E5723-01	PULLEY, STARTER	1				

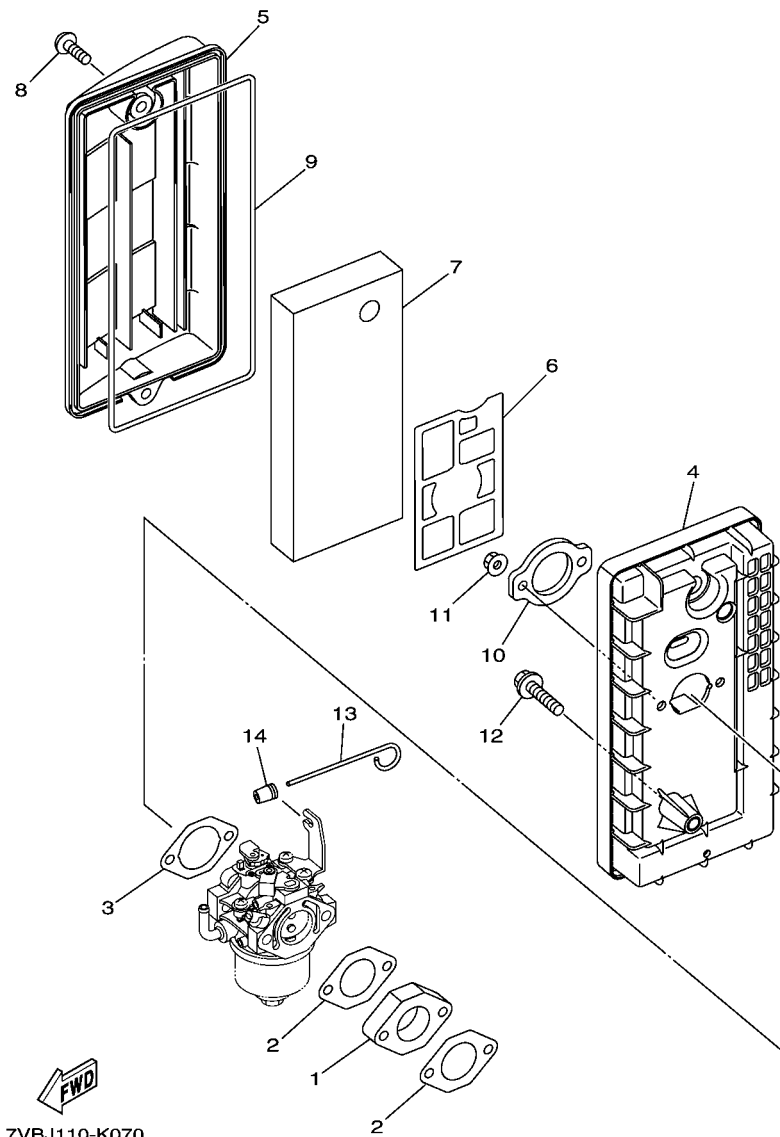
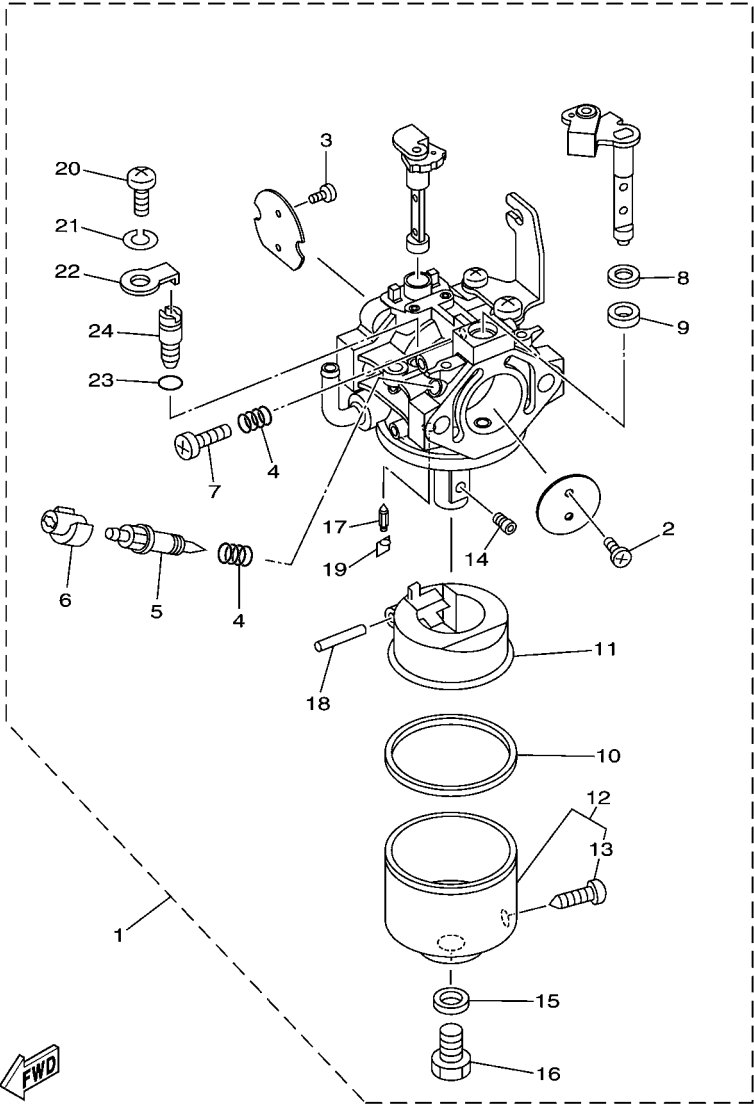


FIG. 7 INTAKE

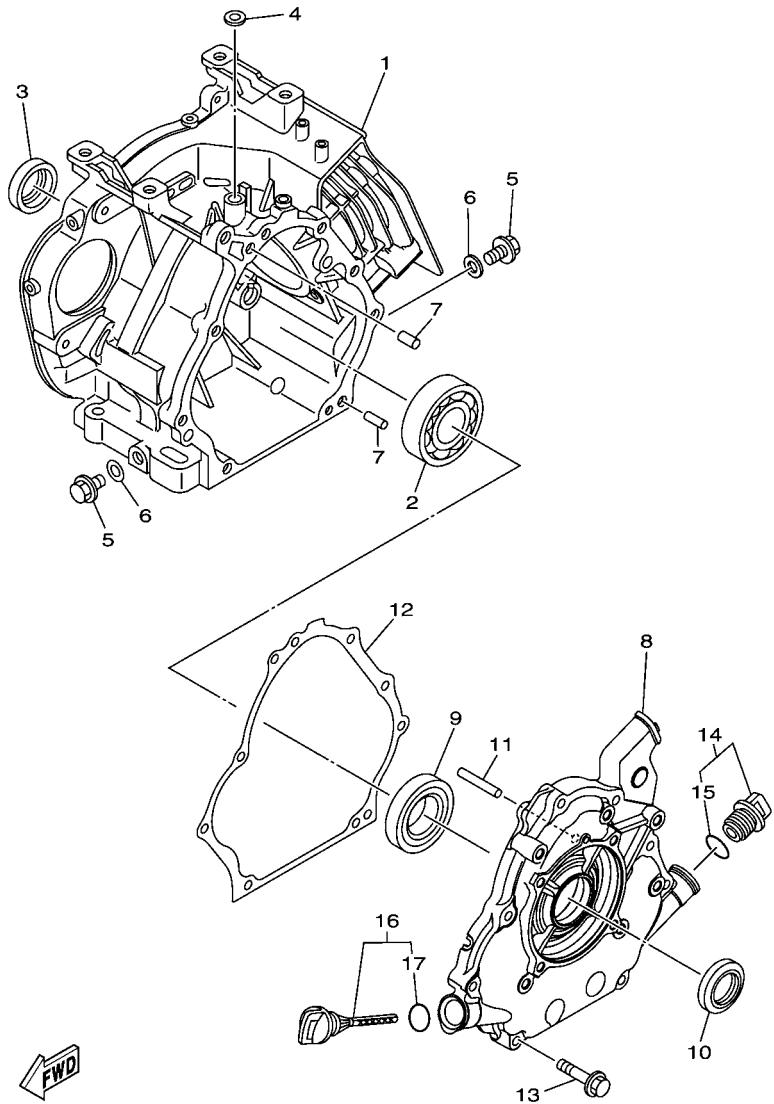
REF. NO.	PART NO.	DESCRIPTION	7VCC				REMARKS
1	7VB-E3596-00	JOINT, CARBURETOR 2	1				
2	7VB-E3557-00	GASKET	2				
3	7VB-E3567-00	GASKET	1				
4	7VB-E4411-00	CASE, AIR CLEANER 1	1				
5	7VB-E4412-00	CAP, CLEANER CASE 1	1				
6	7VB-E4468-00	PLATE,ELEMENT FITTING	1				
7	7VB-E4451-00	ELEMENT, AIR CLEANER	1				
8	90154-06823	SCREW, BINDING	2				
9	7VB-E4467-00	SEAL	1				
10	7VB-E4477-00	PLATE	1				
11	95702-06500	NUT, FLANGE	2				
12	95822-06045	BOLT, FLANGE	1				
13	7BN-E4583-11	LEVER, CHOKE	1				
14	7BN-E4445-00	GROMMET	1				




7VBJ110-K080

FIG. 8 CARBURETOR

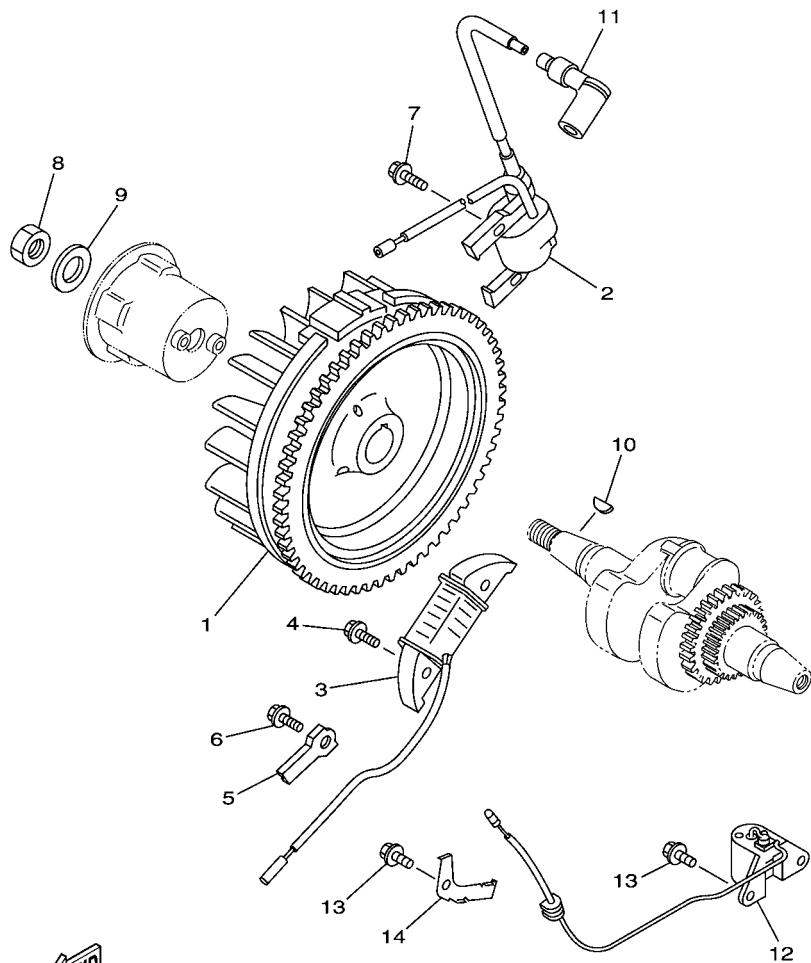
REF. NO.	PART NO.	DESCRIPTION	7VCC				REMARKS
1	7VB-E4101-00	CARBURETOR ASSY 1	1				
2	7RH-14216-00	.SCREW	2				
3	7RH-14486-00	.SCREW, ROD	2				
4	73A-14212-10	.SPRING	2				
5	7NJ-14211-00	.SCREW, PILOT ADJUSTING	1				
6	7LV-14118-00	.CAP	1				
7	1WG-14922-00	.SCREW, THROTTLE	1				
8	4CW-14117-00	.WASHER, PLUG SCREW	1				
9	6K8-14597-10	.WASHER	1				
10	7CT-E4997-00	.SEAL	1				
11	JN6-14185-00	.FLOAT	1				
12	7VB-14181-00	.BODY, FLOAT CHAMBER 1	1				
13	7E1-14191-00	.PLUG, DRAIN	1				
14	1HX-1423E-41-A0	.JET, MAIN	1				
15	127-14198-00	.GASKET	1				
16	7CG-14162-00	.BOLT, HOLDING	1				
17	7CU-14150-00	.NEEDLE ASSY	1				
18	22F-14186-00	.PIN, FLOAT	1				
19	7EG-14159-00	.CLIP	1				
20	98507-05008	.SCREW, PAN HEAD	1				
21	92990-05100	.WASHER, SPRING	1				
22	7CU-E4527-00	.PLATE	1				
23	2H0-14147-00	.O-RING	1				
24	7CU-14142-45-A0	.JET, PILOT (# 45)	1				



7VCC400-L090

FIG. 9 CRANKCASE COVER 1

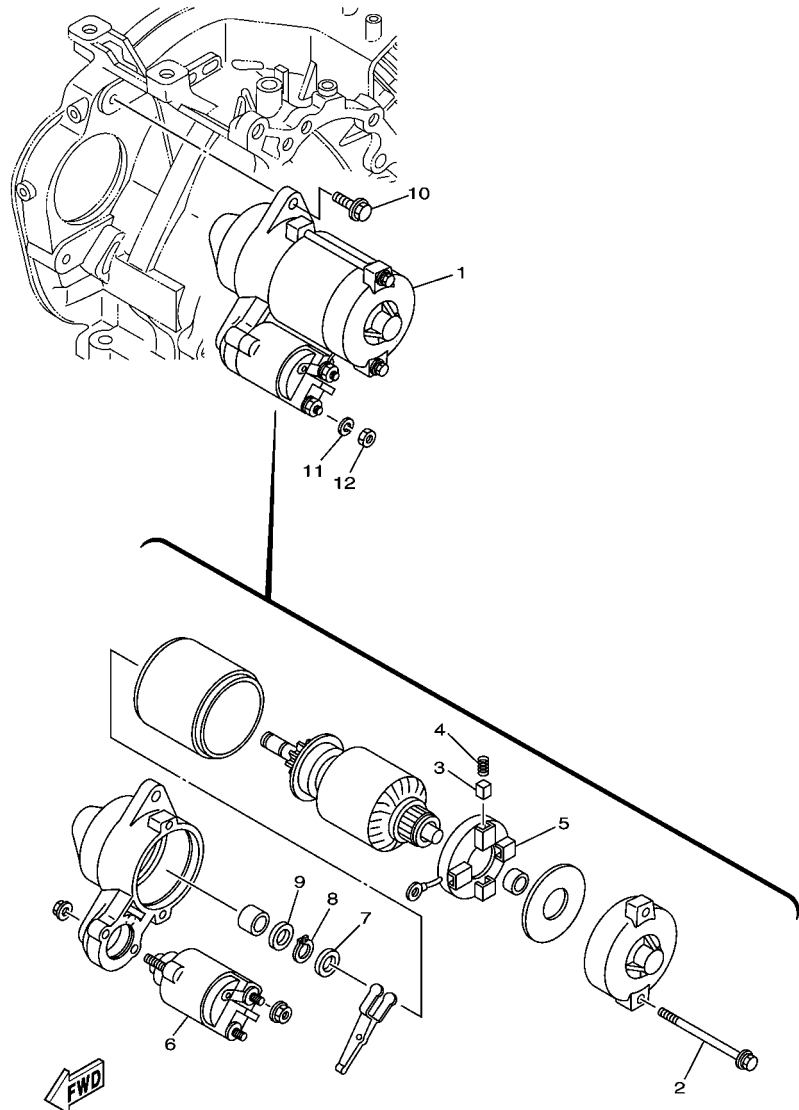
REF. NO.	PART NO.	DESCRIPTION	7VCC				REMARKS
1	7VB-E5111-10	CRANKCASE 1	1				
2	93306-207Y2	BEARING	1				
3	93102-35802	OIL SEAL	1				
4	93109-08803	OIL SEAL	1				
5	90340-12097	PLUG, STRAIGHT SCREW	2				
6	7CT-E1198-00	GASKET	2				
7	99530-08016	PIN, DOWEL	2				
8	7VB-E5411-00	COVER, CRANKCASE 1	1				
9	93306-206Y5	BEARING	1				
10	93102-30801	OIL SEAL	1				
11	7CT-E1971-00	SHAFT, FLYWEIGHT	1				
12	7VB-E5451-00	GASKET, CRANKCASE COVER 1	1				
13	95812-08040	BOLT, FLANGE	8				
14	7BX-E536A-20	PLUG, OIL LEVEL	1				
15	93210-22805	.O-RING	1				
16	7VB-E536A-00	PLUG, OIL LEVEL	1				
17	93210-22805	.O-RING	1				



7VCC400-L100

FIG. 10 MAGNETO

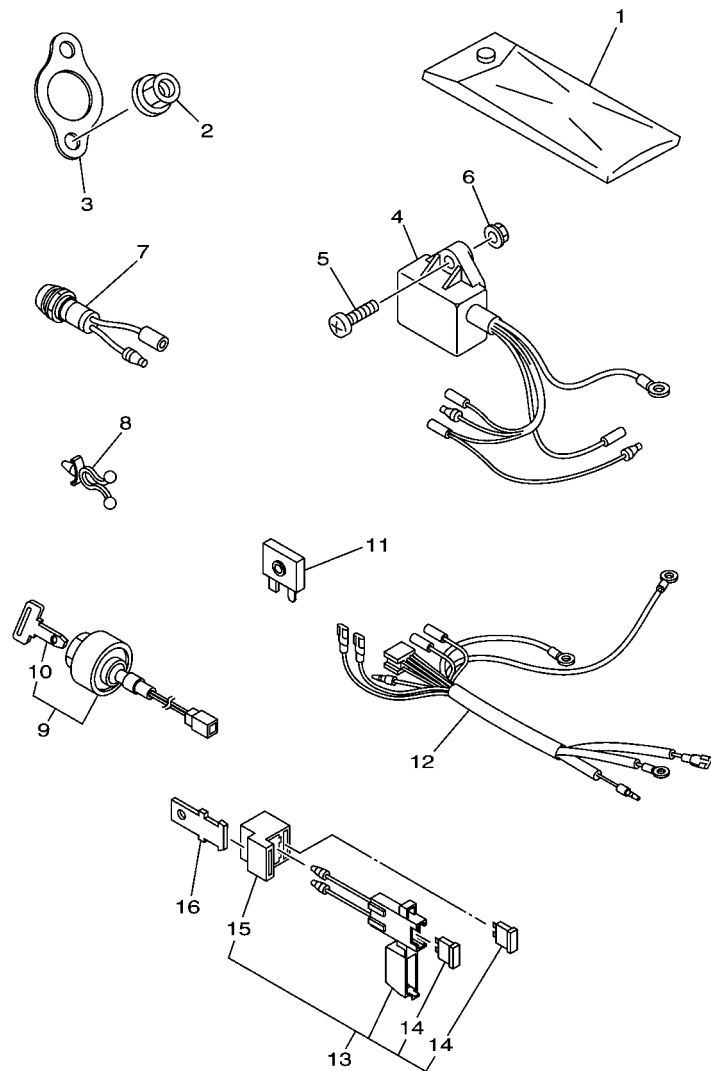
REF. NO.	PART NO.	DESCRIPTION	7VCC				REMARKS
1	7VC-H5650-00	ROTOR ASSY	1				
2	7VB-H5640-00	T.C.I. UNIT ASSY	1				
3	7CU-H5521-10	COIL ASSY	1				
4	95802-06025	BOLT, FLANGE	2				
5	90462-06232	CLAMP	1				
6	95802-06012	BOLT, FLANGE	1				
7	95880-06020	BOLT, FLANGE	2				
8	90170-18391	NUT	1				
9	90201-18802	WASHER, PLATE	1				
10	90280-04801	KEY, WOODRUFF	1				
11	7CN-H2370-00	PLUG CAP ASSY	1				
12	7CT-H5720-00	OIL LEVEL GAUGE ASSY	1				
13	95822-06012	BOLT, FLANGE	3				
14	7CN-H5724-00	CLAMP	1				



7VCC400-L110

FIG. 11 STARTING MOTOR

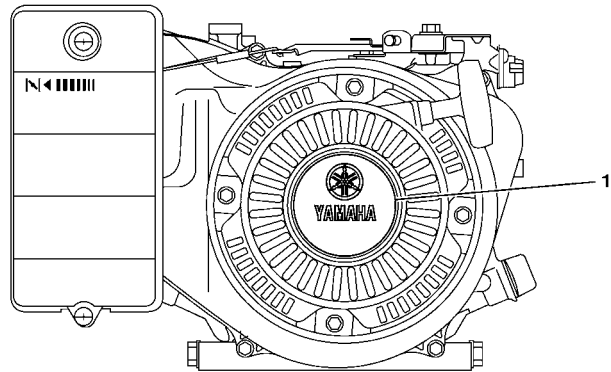
REF. NO.	PART NO.	DESCRIPTION	7VCC				REMARKS
1	7CU-H1800-00	STARTING MOTOR ASSY	1				
2	7CU-H1826-00	.BOLT	2				
3	7CU-H1812-00	.BRUSH 2	4				
4	7CU-H1813-00	.SPRING, BRUSH	4				
5	7CU-H1840-00	.BRUSH HOLDER ASSY	1				
6	7CU-H1870-00	.STARTING SWITCH ASSY	1				
7	7CU-H1833-00	.RING, STOP	1				
8	7CU-H1834-00	.RING	1				
9	7CU-H1835-00	.WASHER	1				
10	95802-08025	BOLT, FLANGE	2				
11	92902-08100	WASHER, SPRING	1				
12	95302-08600	NUT	1				



7VCC400-L120

FIG. 12 BODY FITTING

REF. NO.	PART NO.	DESCRIPTION	7VCC				REMARKS
1	7CT-F8100-00	TOOL KIT	1				
2	95302-08600	NUT	2				
3	7VB-E4613-00	GASKET, EXHAUST PIPE	1				
4	7CN-H5690-00	OIL WARNING UNIT	1				
5	7CT-H2379-00	SCREW, UNIT	1				
6	95704-06500	NUT, FLANGE	1				
7	7CA-H5770-01	OIL PILOT LIGHT ASSY	1				
8	90464-07803	CLAMP	1				
9	7CU-H2510-00	MAIN SWITCH ASSY	1				
10	7CU-H2511-00	.KEY, MAIN SWITCH	2				
11	7CU-H1970-01	RECTIFIER ASSY	1				
12	7CU-H2507-10	WIRE, LEAD	1				
13	7CU-H2150-01	FUSE HOLDER ASSY	1				
14	7CU-H2151-00	.FUSE	2				
15	7CU-H2155-00	.BAND	1				
16	7CU-H2588-00	PLATE	1				



7VCC400-L130

FIG. 13 EMBLEM & LABEL

REF. NO.	PART NO.	DESCRIPTION	7VCC				REMARKS
1	7VB-E2629-00	EMBLEM (YAMAHA MZ300)	1				

NUMERICAL INDEX

PART NO.	REF. NO.	PART NO.	REF. NO.	PART NO.	REF. NO.	PART NO.	REF. NO.	PART NO.	REF. NO.	PART NO.	REF. NO.
4CW-14117-00	8 - 8	7CT-E2119-00	5 - 15	7CU-H1833-00	11 - 7	93306-206Y5	9 - 9				
7LV-14118-00	8 - 6	7VB-E2121-00	5 - 3	7CU-H1834-00	11 - 8	93306-207Y2	9 - 2				
7CU-14142-45-A0	8 - 24	7VB-E2151-00	5 - 8	7CU-H1835-00	11 - 9	93440-06826	4 - 5				
2H0-14147-00	8 - 23	7VB-E2153-00	5 - 4	7CU-H1840-00	11 - 5	93450-20839	3 - 4				
7CU-14150-00	8 - 17	7VB-E2154-00	5 - 14	7CU-H1870-00	11 - 6	94702-00819	1 - 6				
7EG-14159-00	8 - 19	7VB-E2156-00	5 - 12	7CU-H1970-01	12 - 11	95302-08600	11 - 12				
7CG-14162-00	8 - 16	7CT-E2159-00	5 - 10	7CU-H2150-01	12 - 13		12 - 2				
7VB-14181-00	8 - 12	7VB-E2161-00	5 - 9	7CU-H2151-00	12 - 14	95622-08618	1 - 5				
JN6-14185-00	8 - 11	7CR-E2170-00	5 - 1	7CU-H2155-00	12 - 15	95702-06500	7 - 11				
22F-14186-00	8 - 18	7VB-E2621-00	6 - 1	7CN-H2370-00	10 - 11	95704-06500	12 - 6				
7E1-14191-00	8 - 13	7VB-E2629-00	13 - 1	7CT-H2379-00	12 - 5	95802-06008	6 - 14				
127-14198-00	8 - 15	7VB-E2651-00	6 - 3	7CU-H2507-10	12 - 12	95802-06012	4 - 20				
7NJ-14211-00	8 - 5	7VB-E3557-00	7 - 2	7CU-H2510-00	12 - 9		6 - 2				
73A-14212-10	8 - 4	7VB-E3567-00	7 - 3	7CU-H2511-00	12 - 10		10 - 6				
7RH-14216-00	8 - 2	7VB-E3596-00	7 - 1	7CU-H2588-00	12 - 16	95802-06025	10 - 4				
1HX-1423E-41-A0	8 - 14	7VB-E4101-00	8 - 1	7CU-H5521-10	10 - 3	95802-08025	11 - 10				
7RH-14486-00	8 - 3	7VB-E4411-00	7 - 4	7VB-H5640-00	10 - 2	95812-08040	9 - 13				
6K8-14597-10	8 - 9	7VB-E4412-00	7 - 5	7VC-H5650-00	10 - 1	95812-10070	1 - 3				
1WG-14922-00	8 - 7	7BN-E4445-00	7 - 14	7CN-H5690-00	12 - 4	95822-06012	10 - 13				
7VB-E1111-02	1 - 1	7VB-E4451-00	7 - 7	7CT-H5720-00	10 - 12	95822-06030	1 - 9				
7CT-E1166-00	1 - 10	7VB-E4467-00	7 - 9	7CN-H5724-00	10 - 14	95822-06045	7 - 12				
7VB-E1181-01	1 - 2	7VB-E4468-00	7 - 6	7CA-H5770-01	12 - 7	95880-06020	10 - 7				
7VB-E1190-00	1 - 7	7VB-E4477-00	7 - 10	90113-05800	5 - 13	97022-06030	4 - 12				
7VB-E1193-01	1 - 8	7CU-E4527-00	8 - 22	90116-06821	1 - 11	98502-06035	4 - 18				
7CT-E1198-00	9 - 6	7BN-E4583-11	7 - 13	90154-06823	7 - 8	98507-05008	8 - 20				
7VB-E1400-40	2 - 1	7VB-E4613-00	12 - 3	90170-05806	5 - 11	99530-08016	9 - 7				
7VB-E1610-01	3 - 2	7CT-E4997-00	8 - 10	90170-18391	10 - 8	99530-14016	1 - 4				
7VB-E1610-10	3 - 2	7VB-E5111-10	9 - 1	90173-06802	4 - 14						
7VB-E1610-20	3 - 2	7VB-E536A-00	9 - 16	90201-067L0	4 - 6						
7VB-E1631-00-A0	3 - 1	7BX-E536A-20	9 - 14	90201-06842	4 - 4						
7VB-E1633-00	3 - 3	7VB-E5411-00	9 - 8	90201-08858	4 - 9						
7VB-E1635-00	3 - 1	7VB-E5451-00	9 - 12	90201-18802	10 - 9						
	3 - 1	7VB-E5710-00	6 - 4	90280-04801	10 - 10						
7VB-E1650-00	3 - 5	7CT-E5713-00	6 - 7	90340-12097	9 - 5						
7CT-E1654-00	3 - 6	7CT-E5714-00	6 - 5	90462-06232	10 - 5						
7CT-E1913-00	4 - 2	7CN-E5715-00	6 - 8	90464-07803	12 - 8						
7CT-E1914-00	4 - 3	7CT-E5716-00	6 - 9	90468-18800	4 - 10						
7CT-E1917-00	4 - 7	7VB-E5723-01	6 - 15	90501-10812	4 - 19						
7VB-E1922-00	4 - 8	7VB-E5741-00	6 - 6	90501-264A9	5 - 5						
7VB-E1924-00	4 - 11	7CN-E5743-00	6 - 11	90506-04802	4 - 16						
7VB-E1925-00	4 - 21	7CT-E5751-00	6 - 12	92902-06600	4 - 13						
7VB-E1928-00	4 - 15	7CN-E5755-00	6 - 13	92902-08100	11 - 11						
7CN-E1950-00	4 - 17	7CN-E5793-00	6 - 10	92990-05100	8 - 21						
7CT-E1970-10	4 - 1	7CT-F8100-00	12 - 1	93102-30801	9 - 10						
7CT-E1971-00	9 - 11	7CU-H1800-00	11 - 1	93102-35802	9 - 3						
7VB-E2111-00	5 - 2	7CU-H1812-00	11 - 3	93109-08803	9 - 4						
7CT-E2117-00	5 - 6	7CU-H1813-00	11 - 4	93210-22805	9 - 15						
7CT-E2118-00	5 - 7	7CU-H1826-00	11 - 2		9 - 17						