



PARTS CATALOGUE

MZ300BARA0 (7VB2) CHN

MZ300BARA0
PARTS CATALOGUE
©2012 by Yamaha Motor Co., Ltd.
1st edition, November 2012
All rights reserved.
Any reprinting or unauthorized use
without the written permission of
Yamaha Motor Co., Ltd.
is expressly prohibited.
Printed in Japan.

FOREWORD

This Parts Catalogue is related to the parts for the model(s) on the cover page. When you are ordering replacement parts, please refer to this Parts Catalogue and quote both part numbers and part names correctly.

1. Modifications or additions which have been made after the issue of the Parts Catalogue will be announced in the Parts News.

It is advisable that you make the necessary corrections to the Parts Catalogue according to the Parts News.

2. Abbreviations

The following abbreviations are used in this Parts Catalogue.

“UR” Use specified parts number.

“UN” Use as many as needed.

“AP” Alternate Parts

“LM” Locally Made (Parts need to be ordered locally)

“F#” Frame No. (Applicable machine No.)

“O/S” Over Size

3. The number of components for assembly

- Parts, which are to be supplied in an assembly, are listed with a dot (.) in front of the part name as shown below.
- The numeral appearing to the right of each component part indicates the quantity of parts for each assembly unit.

PART NO.	DESCRIPTION	Q'TY	REMARKS
2F5-83310-60	FRONT FLASHER LIGHT ASSY	2	
115-83311-60	.BULB (6V-18W)	1	

4. Applicable colours of graphics are represented in the “REMARKS” as shown below.

PART NO.	DESCRIPTION	Q'TY	REMARKS
2N4-24110-00-X5	FUEL TANK COMP.	2	MXR
3J1-24240-10	.GRAPHIC, FUEL TANK	1	FOR MXR

5. Note that the illustrations for reference in finding parts numbers are not to be used for assembling. When assembling, please use the applicable service manual.

6. The asterisk (*) before a reference number indicates modified items after the first edition.

FOREWORD

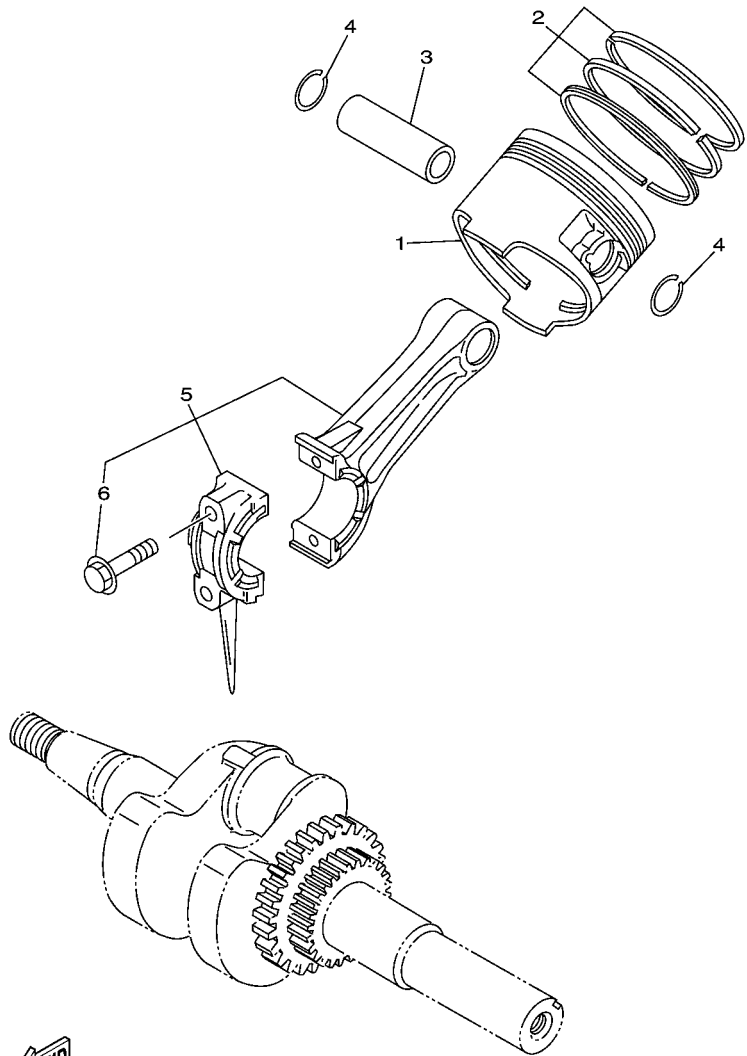
Engine Serial No.

This parts catalogue is related to the parts for the models in the list below.

MODEL CODE	MODEL NAME	SPECIFICATION (OUT LINE)	ENGINE SERIAL NO.
7VB2	MZ300BARA0	P.T.O. SHAFT B TYPE, MOUNT FACE (mm)	7VB2-1000101

CONTENTS

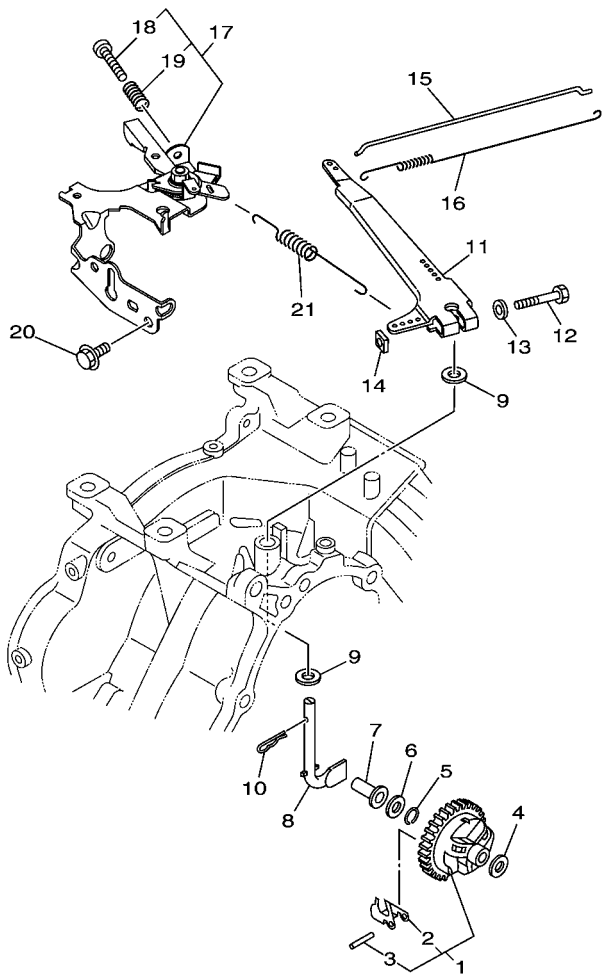
CYLINDER	1
CRANKSHAFT	2
CRANKSHAFT & PISTON	3
GOVERNOR	4
CAMSHAFT & VALVE	5
AIR SHROUD & STARTER	6
INTAKE	7
CARBURETOR	8
EXHAUST	9
CRANKCASE COVER 1	10
FUEL	11
MAGNETO	12
ELECTRICAL	13
BODY FITTING	14
EMBLEM & LABEL	15
INDEX	
NUMERICAL INDEX	16




 7VBJ110-K030

FIG. 3 CRANKSHAFT & PISTON

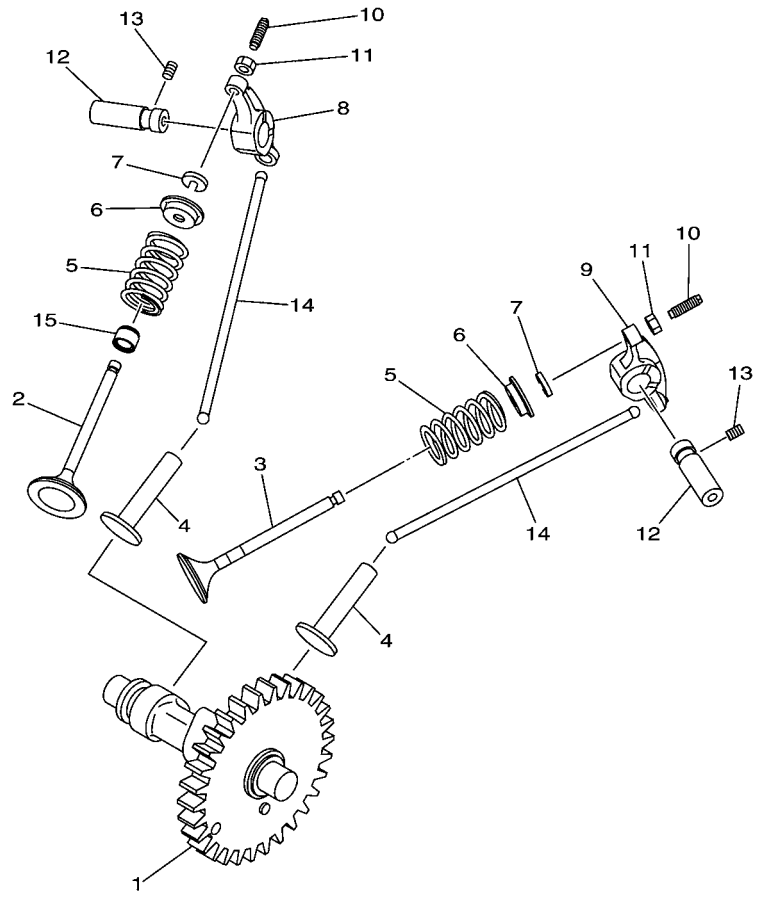
REF. NO.	PART NO.	DESCRIPTION	7VBZ				REMARKS
1	7VB-E1631-00-A0	PISTON (STD)	1				
	7VB-E1635-00	PISTON (0.25MM O/S)	1				AP
	7VB-E1636-00	PISTON (0.50MM O/S)	1				AP
2	7VB-E1610-01	PISTON RING SET (STD)	1				
	7VB-E1610-10	PISTON RING SET (0.25MM O/S)	1				AP
	7VB-E1610-20	PISTON RING SET (0.50MM O/S)	1				AP
3	7VB-E1633-00	PIN, PISTON	1				
4	93450-20839	CIRCLIP	2				
5	7VB-E1650-00	CONNECTING ROD ASSY	1				
6	7CT-E1654-00	.BOLT, CONNECTING ROD	2				
<hr/>							
<hr/>							
<hr/>							
<hr/>							
<hr/>							
<hr/>							
<hr/>							
<hr/>							
<hr/>							
<hr/>							




7VB1200-L040

FIG. 4 GOVERNOR

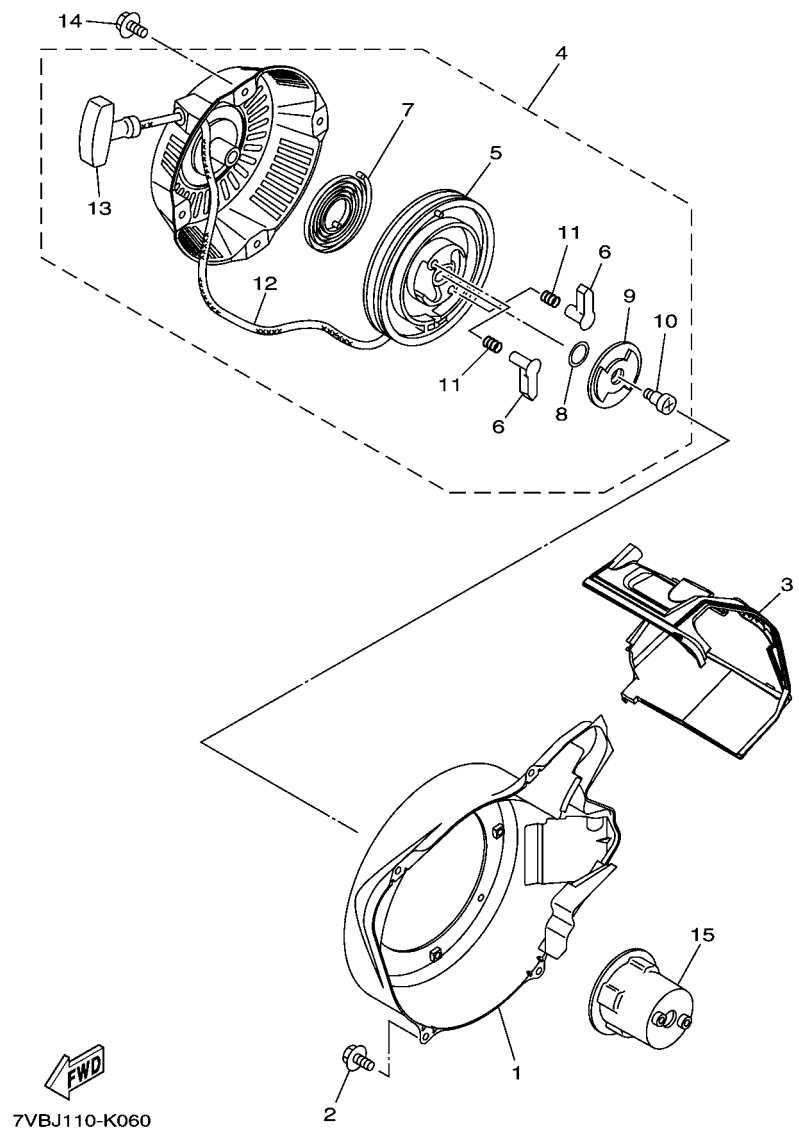
REF. NO.	PART NO.	DESCRIPTION	7VB2				REMARKS
1	7CT-E1970-10	FLYWEIGHT SHAFT ASSY.	1				
2	7CT-E1913-00	.WEIGHT	3				
3	7CT-E1914-00	.SHAFT, WEIGHT	3				
4	90201-06842	WASHER, PLATE	1				
5	93440-06826	CIRCLIP	1				
6	90201-067L0	WASHER, PLATE	1				
7	7CT-E1917-00	COLLAR	1				
8	7VB-E1922-00	FORK, GOVERNOR	1				
9	90201-08858	WASHER, PLATE	2				
10	90468-18800	CLIP	1				
11	7VB-E1924-00	ARM, GOVERNOR	1				
12	97022-06030	BOLT, HEXAGON	1				
13	92902-06600	WASHER, PLATE	1				
14	90173-06802	NUT, SQUARE	1				
15	7VB-E1928-00	ROD, LINK	1				
16	90506-04802	SPRING, TENSION	1				
17	7VB-G1240-00	THROTTLE LEVER COMP.	1				
18	98502-05025	.SCREW, PAN HEAD	1				
19	90501-090A8	.SPRING, COMPRESSION	1				
20	95802-06012	BOLT, FLANGE	1				
21	7CT-E1925-10	SPRING, GOVERNOR	1				




 7VBJ110-K050

FIG. 5 CAMSHAFT & VALVE

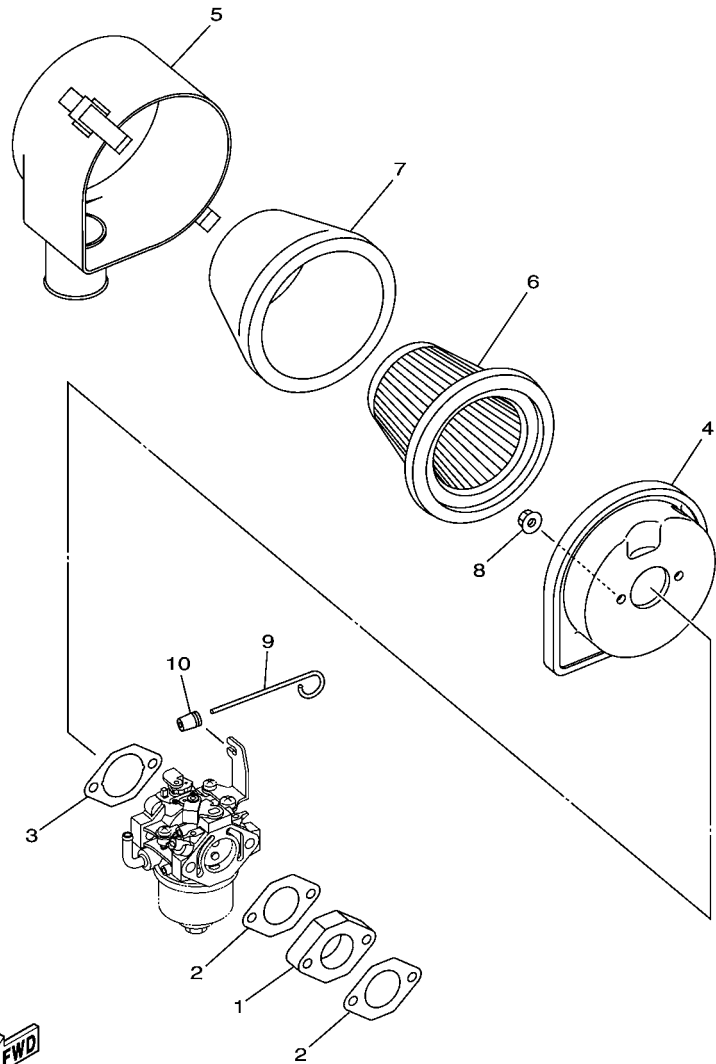
REF. NO.	PART NO.	DESCRIPTION	7VB2				REMARKS
1	7CR-E2170-00	CAMSHAFT ASSY 1	1				
2	7VB-E2111-00	VALVE, INTAKE	1				
3	7VB-E2121-00	VALVE, EXHAUST	1				
4	7VB-E2153-00	LIFTER, VALVE	2				
5	90501-264A9	SPRING, COMPRESSION	2				
6	7CT-E2117-00	RETAINER, VALVE SPRING	2				
7	7CT-E2118-00	LOCK, VALVE SPRING RETAINER	2				
8	7VB-E2151-00	ARM, VALVE ROCKER	1				
9	7VB-E2161-00	ARM, VALVE ROCKER 2	1				
10	7CT-E2159-00	SCREW, VALVE ADJUSTING	2				
11	90170-05806	NUT	2				
12	7VB-E2156-00	SHAFT, ROCKER 2	2				
13	90113-05800	BOLT, SET	2				
14	7VB-E2154-00	ROD, VALVE PUSH	2				
15	7CT-E2119-00	SEAL, VALVE STEM	1				




 7VBJ110-K060

FIG. 6 AIR SHROUD & STARTER

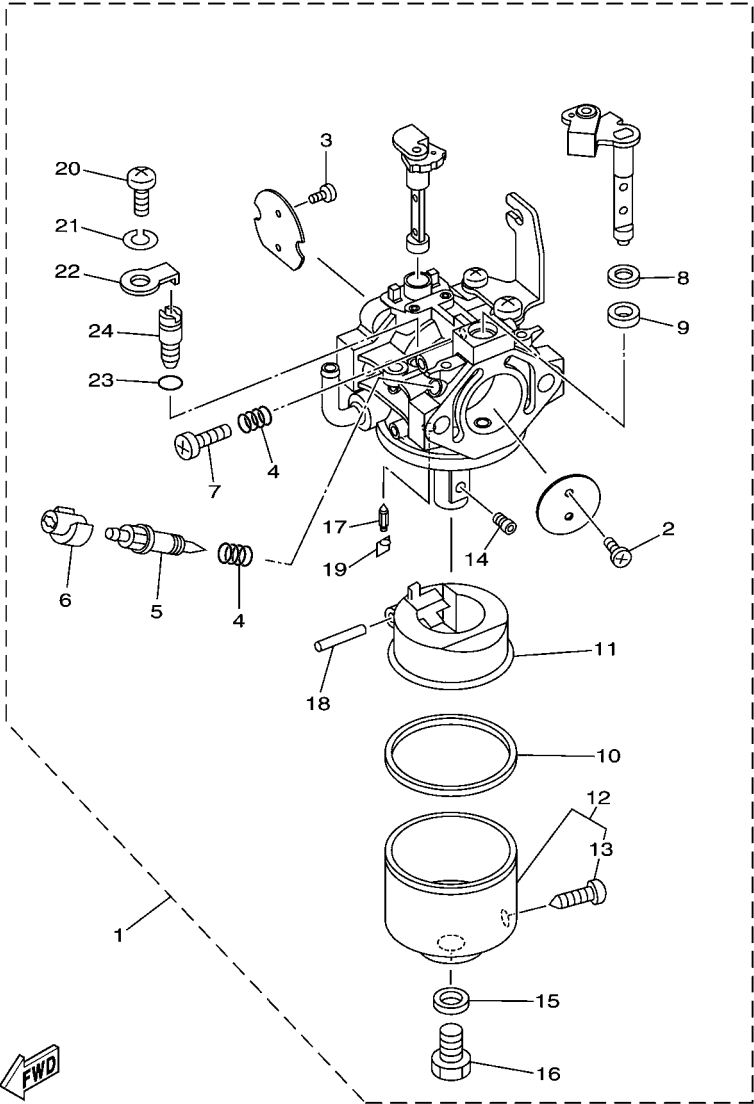
REF. NO.	PART NO.	DESCRIPTION	7VBZ				REMARKS
1	7VB-E2621-00	CASE, FAN	1				
2	95802-06012	BOLT, FLANGE	4				
3	7VB-E2651-00	AIR SHROUD, CYLINDER 1	1				
4	7VB-E5710-00	STARTER ASSY	1				
5	7CT-E5714-00	.DRUM, SHEAVE	1				
6	7VB-E5741-00	.PAWL, DRIVE	2				
7	7CT-E5713-00	.SPRING, STARTER	1				
8	7CN-E5715-00	.SPRING, FRICTION	1				
9	7CT-E5716-00	.PLATE, DRIVE	1				
10	7CN-E5793-00	.SCREW	1				
11	7CN-E5743-00	.SPRING, RETURN	2				
12	7CT-E5751-00	.WIRE, STARTER	1				
13	7CN-E5755-00	.HANDLE, STARTER	1				
14	95802-06008	BOLT, FLANGE	4				
15	7VB-E5723-01	PULLEY, STARTER	1				



7VB2415-L070

FIG. 7 INTAKE

REF. NO.	PART NO.	DESCRIPTION	7VB2				REMARKS
1	7VB-E3596-00	JOINT, CARBURETOR 2	1				
2	7VB-E3557-00	GASKET	2				
3	7VB-E3567-00	GASKET	1				
4	7VB-E4411-10	CASE, AIR CLEANER 1	1				
5	7VB-E4412-10	CAP, CLEANER CASE 1	1				
6	7CT-E4451-21	ELEMENT, AIR CLEANER	1				
7	7CT-E4461-21	ELEMENT, AIR CLEANER 2	1				
8	95702-06500	NUT, FLANGE	2				
9	7BN-E4583-11	LEVER, CHOKE	1				
10	7BN-E4445-00	GROMMET	1				

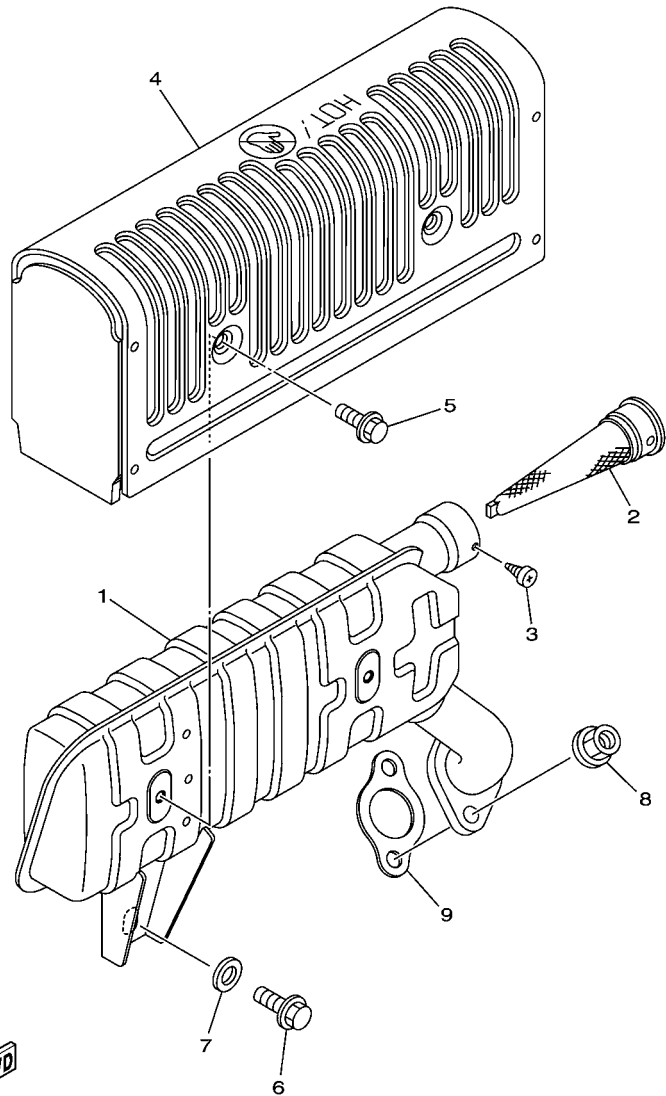


7VBJ110-K080

FIG. 8 CARBURETOR

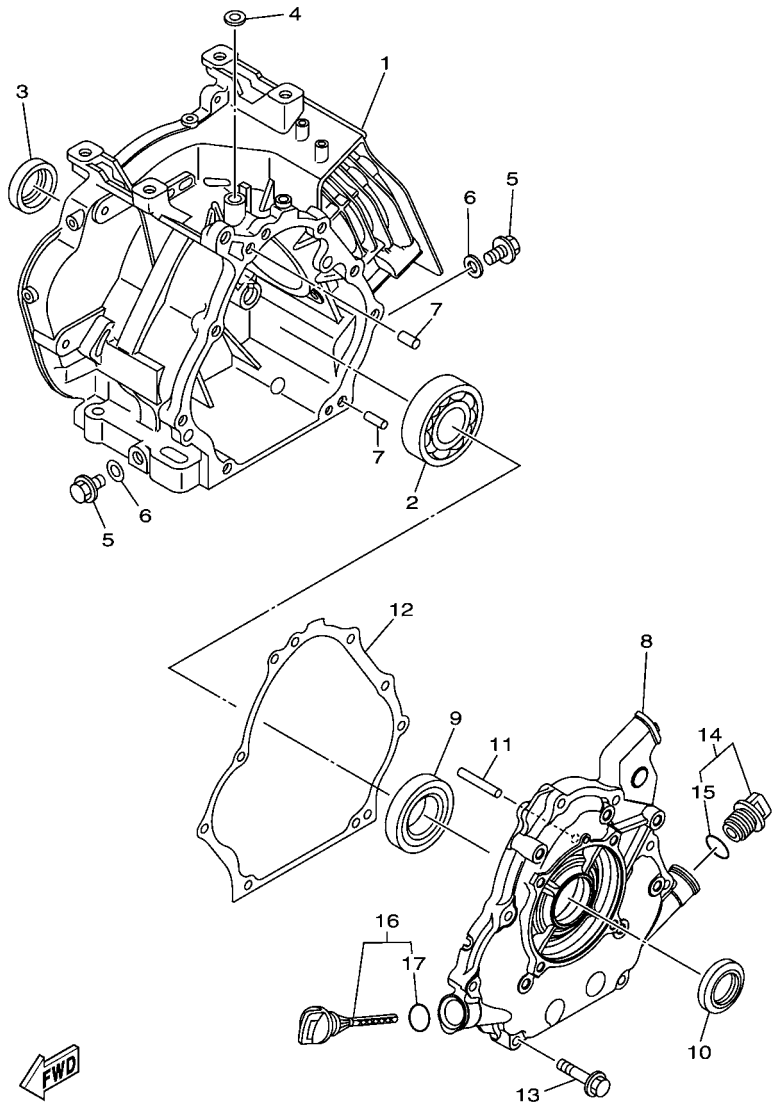
REF. NO.	PART NO.	DESCRIPTION	7VB2				REMARKS
1	7VB-E4101-00	CARBURETOR ASSY 1	1				
2	7RH-14216-00	.SCREW	2				
3	7RH-14486-00	.SCREW, ROD	2				
4	73A-14212-10	.SPRING	2				
5	7NJ-14211-00	.SCREW, PILOT ADJUSTING	1				
6	7LV-14118-00	.CAP	1				
7	1WG-14922-00	.SCREW, THROTTLE	1				
8	4CW-14117-00	.WASHER, PLUG SCREW	1				
9	6K8-14597-10	.WASHER	1				
10	7CT-E4997-00	.SEAL	1				
11	JN6-14185-00	.FLOAT	1				
12	7VB-14181-00	.BODY, FLOAT CHAMBER 1	1				
13	7E1-14191-00	.PLUG, DRAIN	1				
14	1HX-1423E-41-A0	.JET, MAIN(#103.8)	1				
15	127-14198-00	.GASKET	1				
16	7CG-14162-00	.BOLT, HOLDING	1				
17	7CU-14150-00	.NEEDLE ASSY	1				
18	22F-14186-00	.PIN, FLOAT	1				
19	7EG-14159-00	.CLIP	1				
20	98507-05008	.SCREW, PAN HEAD	1				
21	92990-05100	.WASHER, SPRING	1				
22	7CU-E4527-00	.PLATE	1				
23	2H0-14147-00	.O-RING	1				
24	7CU-14142-45-A0	.JET, PILOT (# 45)	1				

FIG. 9 EXHAUST



7VBJ110-K090

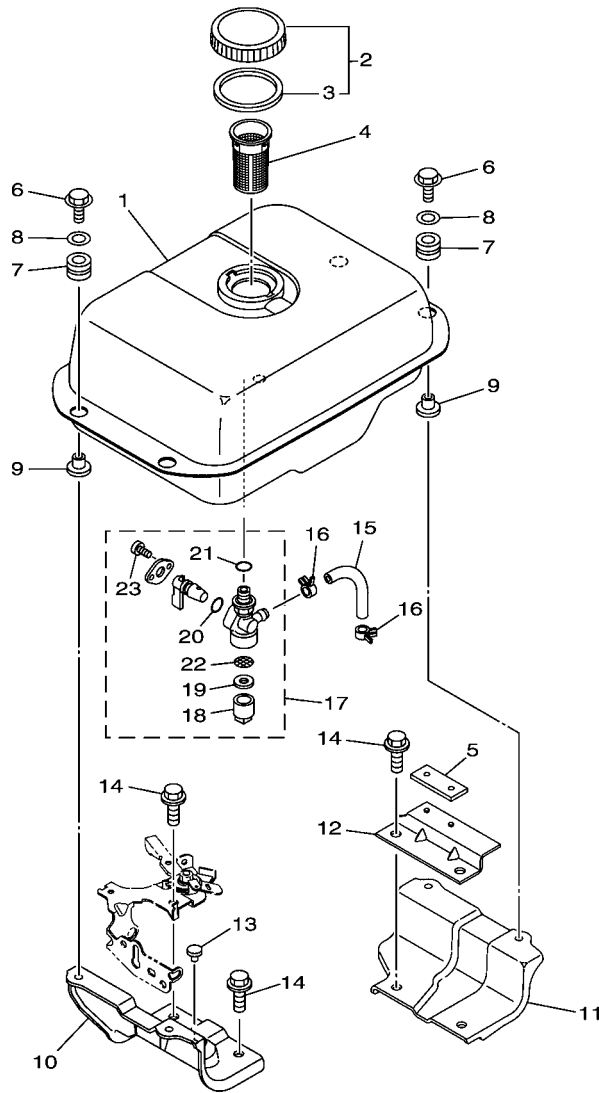
REF. NO.	PART NO.	DESCRIPTION	7VBZ				REMARKS
1	7VB-E4711-00	MUFFLER 1	1				
2	7CT-E4786-00	ARRESTER, SPARK	1				
3	97702-40506	SCREW, TAPPING	1				
4	7VB-E4708-00	PROTECTOR ASSY	1				
5	95822-06008	BOLT, FLANGE	4				
6	95822-08016	BOLT, FLANGE	1				
7	90201-08856	WASHER, PLATE	1				
8	95302-08600	NUT	2				
9	7VB-E4613-00	GASKET, EXHAUST PIPE	1				



7VBJ110-K100

FIG. 10 CRANKCASE COVER 1

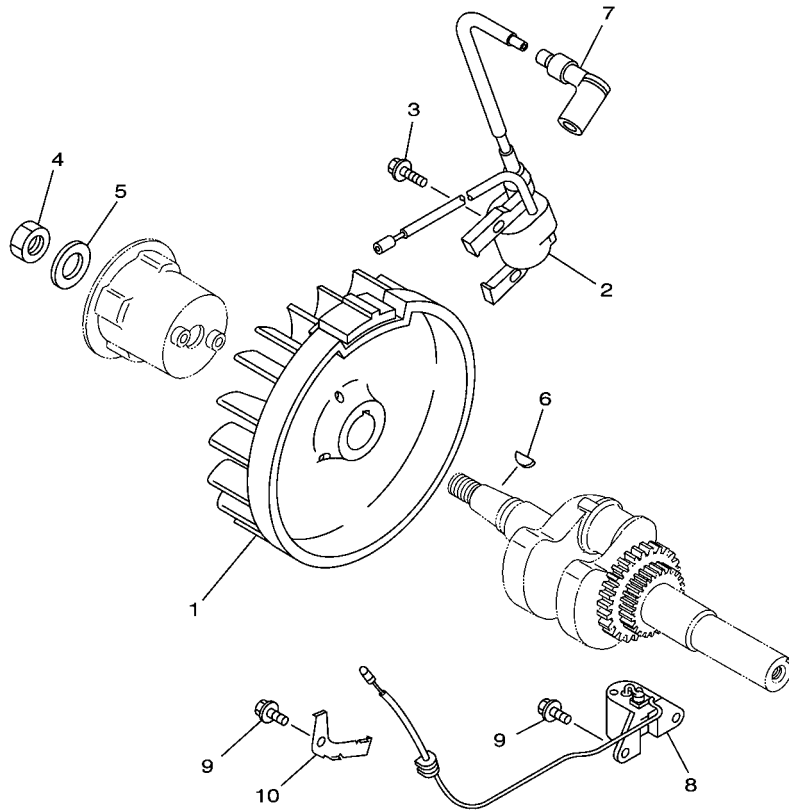
REF. NO.	PART NO.	DESCRIPTION	7VB2				REMARKS
1	7VB-E5111-00	CRANKCASE 1	1				
2	93306-207Y2	BEARING	1				
3	93102-35802	OIL SEAL	1				
4	93109-08803	OIL SEAL	1				
5	90340-12097	PLUG, STRAIGHT SCREW	2				
6	7CT-E1198-00	GASKET	2				
7	99530-08016	PIN, DOWEL	2				
8	7VB-E5411-00	COVER, CRANKCASE 1	1				
9	93306-206Y5	BEARING	1				
10	93102-30801	OIL SEAL	1				
11	7CT-E1971-00	SHAFT, FLYWEIGHT	1				
12	7VB-E5451-00	GASKET, CRANKCASE COVER 1	1				
13	95812-08040	BOLT, FLANGE	8				
14	7BX-E536A-20	PLUG, OIL LEVEL	1				
15	93210-22805	.O-RING	1				
16	7VB-E536A-00	PLUG, OIL LEVEL	1				
17	93210-22805	.O-RING	1				



7VB5400-L120

FIG. 11 FUEL

REF. NO.	PART NO.	DESCRIPTION	7VB2				REMARKS
1	7VB-F4110-00	FUEL TANK COMP.	1				
2	7CN-F4610-00	CAP ASSY	1				
3	7CN-F4612-00	.PACKING, CAP	1				
4	7CN-F4167-00	STRAINER	1				
5	7VB-F4181-00	DAMPER, LOCATING 1	1				
6	7CT-F4176-00	BOLT 1	4				
7	90480-15235	GROMMET	4				
8	90201-06085	WASHER, PLATE	4				
9	90387-068K8	COLLAR	4				
10	7VB-F4115-00	STAY, FUEL TANK 1	1				
11	7VB-F4116-01	STAY, FUEL TANK 2	1				
12	7VB-F4117-00	STAY, FUEL TANK 3	1				
13	90338-05800	PLUG	1				
14	95812-08020	BOLT, FLANGE	4				
15	7VB-F4311-00	PIPE, FUEL 1	1				
16	90467-09806	CLIP	2				
17	7CN-F4500-00	FUEL COCK ASSY 1	1				
18	7J3-24521-00	.CUP, FILTER	1				
19	4X8-24565-00	.GASKET	1				
20	7NJ-24534-00	.SEAL, COCK	1				
21	7NJ-24532-00	.GASKET	1				
22	7NJ-24515-01	.NET, FILTER 2	1				
23	98507-03008	.SCREW, PAN HEAD	2				

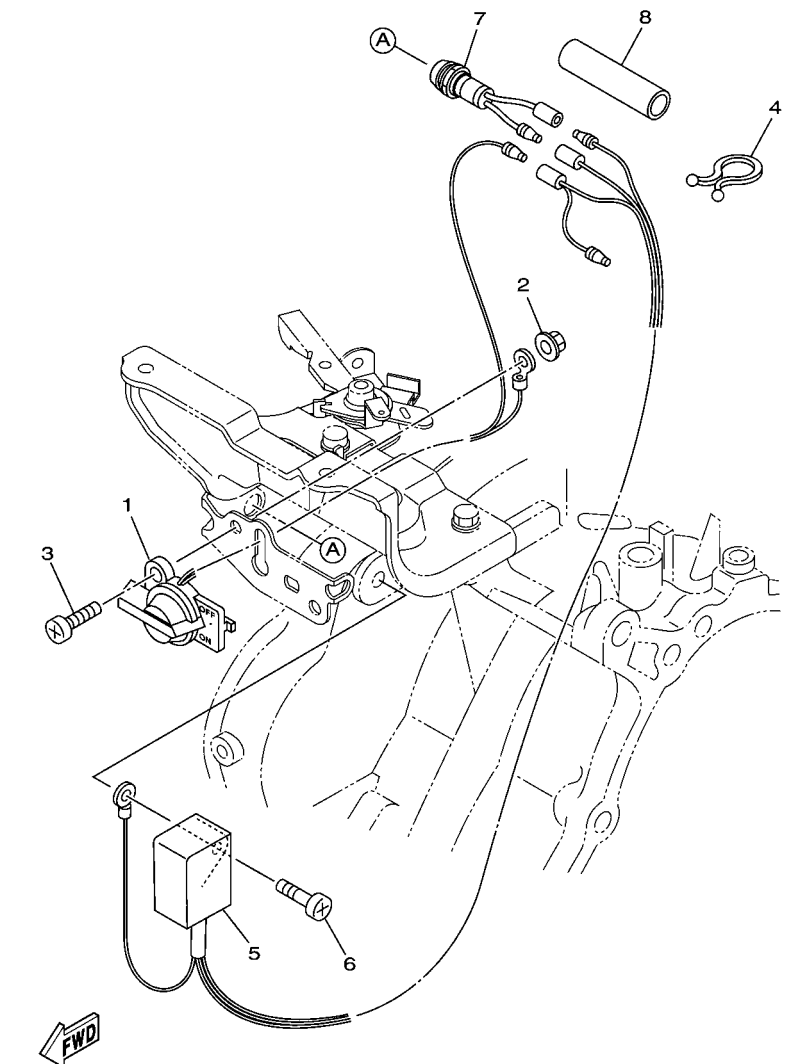



 7VBJ110-K120

FIG. 12 MAGNETO

REF. NO.	PART NO.	DESCRIPTION	7VBZ				REMARKS
1	7KB-H5650-00	ROTOR ASSY	1				
2	7VB-H5640-00	T.C.I. UNIT ASSY	1				
3	95880-06020	BOLT, FLANGE	2				
4	90170-18391	NUT	1				
5	90201-18802	WASHER, PLATE	1				
6	90280-04801	KEY, WOODRUFF	1				
7	7CN-H2370-00	PLUG CAP ASSY	1				
8	7CT-H5720-00	OIL LEVEL GAUGE ASSY	1				
9	95822-06012	BOLT, FLANGE	3				
10	7CN-H5724-00	CLAMP	1				

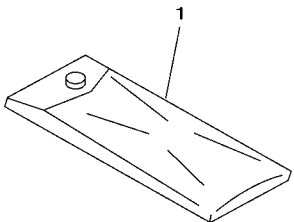
FIG. 13 ELECTRICAL



7VBJ110-K130

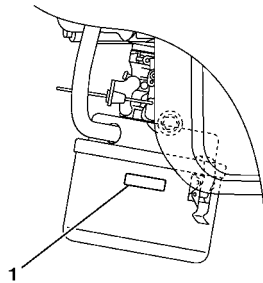
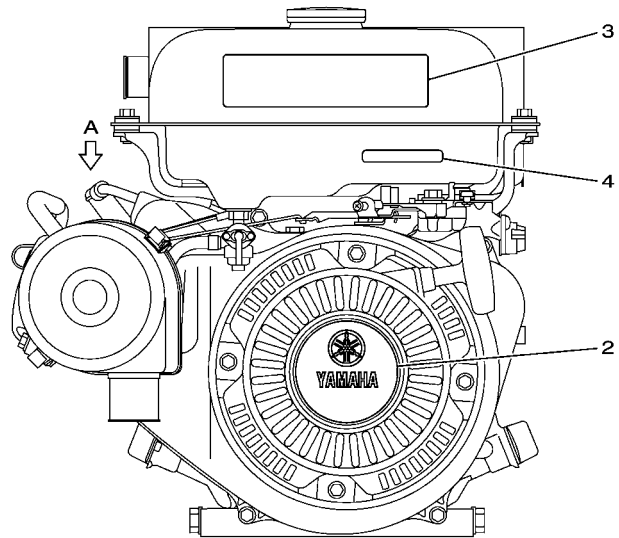
REF. NO.	PART NO.	DESCRIPTION	7VBZ				REMARKS
1	7CN-H2550-00	ENGINE STOP SWITCH ASSY	1				
2	95704-06500	NUT, FLANGE	1				
3	98502-06014	SCREW, PAN HEAD	1				
4	90464-11806	CLAMP	1				
5	7CN-H5690-00	OIL WARNING UNIT	1				
6	98580-06020	SCREW, PAN HEAD	1				
7	7CA-H5770-01	OIL PILOT LIGHT ASSY	1				
8	7CU-H2589-00	PROTECTOR, WIRE HARNESS	1				

FIG. 14 BODY FITTING



REF. NO.	PART NO.	DESCRIPTION	7VB2					REMARKS
1	7CT-F8100-00	TOOL KIT	1					

7WR1400-1260



VIEW A

7VB1200-L150

FIG. 15 EMBLEM & LABEL

REF. NO.	PART NO.	DESCRIPTION	7VB2				REMARKS
1	7CN-F4155-00	INDICATOR, CHOKE	1				
2	7VB-E2629-00	EMBLEM (YAMAHA MZ300)	1				
3	7CN-F4162-40	EMBLEM 2 (WARNING)	1				
4	7CN-F4154-00	INDICATOR, SHIFT	1				

NUMERICAL INDEX

PART NO.	REF. NO.	PART NO.	REF. NO.	PART NO.	REF. NO.	PART NO.	REF. NO.	PART NO.	REF. NO.	PART NO.	REF. NO.
4CW-14117-00	8 - 8	7CT-E1971-00	10 - 11	7VB-F4110-00	11 - 1	92902-06600	4 - 13				
7LV-14118-00	8 - 6	7VB-E2111-00	5 - 2	7VB-F4115-00	11 - 10	92990-05100	8 - 21				
7CU-14142-45-A0	8 - 24	7CT-E2117-00	5 - 6	7VB-F4116-01	11 - 11	93102-30801	10 - 10				
2H0-14147-00	8 - 23	7CT-E2118-00	5 - 7	7VB-F4117-00	11 - 12	93102-35802	10 - 3				
7CU-14150-00	8 - 17	7CT-E2119-00	5 - 15	7CN-F4154-00	15 - 4	93109-08803	10 - 4				
7EG-14159-00	8 - 19	7VB-E2121-00	5 - 3	7CN-F4155-00	15 - 1	93210-22805	10 - 15				
7CG-14162-00	8 - 16	7VB-E2151-00	5 - 8	7CN-F4162-40	15 - 3						
7VB-14181-00	8 - 12	7VB-E2153-00	5 - 4	7CN-F4167-00	11 - 4	93306-206Y5	10 - 9				
JN6-14185-00	8 - 11	7VB-E2154-00	5 - 14	7CT-F4176-00	11 - 6	93306-207Y2	10 - 2				
22F-14186-00	8 - 18	7VB-E2156-00	5 - 12	7VB-F4181-00	11 - 5	93440-06826	4 - 5				
7E1-14191-00	8 - 13	7CT-E2159-00	5 - 10	7VB-F4311-00	11 - 15	93450-20839	3 - 4				
127-14198-00	8 - 15	7VB-E2161-00	5 - 9	7CN-F4500-00	11 - 17	94702-00819	1 - 6				
7NJ-14211-00	8 - 5	7CR-E2170-00	5 - 1	7CN-F4610-00	11 - 2	95302-08600	9 - 8				
73A-14212-10	8 - 4	7VB-E2621-00	6 - 1	7CN-F4612-00	11 - 3	95622-08618	1 - 5				
7RH-14216-00	8 - 2	7VB-E2629-00	15 - 2	7CT-F8100-00	14 - 1	95702-06500	7 - 8				
1HX-1423E-41-A0	8 - 14	7VB-E2651-00	6 - 3	7VB-G1240-00	4 - 17	95704-06500	13 - 2				
7RH-14486-00	8 - 3	7VB-E3557-00	7 - 2	7CN-H2370-00	12 - 7	95802-06008	6 - 14				
6K8-14597-10	8 - 9	7VB-E3567-00	7 - 3	7CN-H2550-00	13 - 1	95802-06012	4 - 20				
1WG-14922-00	8 - 7	7VB-E3596-00	7 - 1	7CU-H2589-00	13 - 8						
7NJ-24515-01	11 - 22	7VB-E4101-00	8 - 1	7VB-H5640-00	12 - 2	95812-08020	11 - 14				
7J3-24521-00	11 - 18	7VB-E4411-10	7 - 4	7KB-H5650-00	12 - 1	95812-08040	10 - 13				
7NJ-24532-00	11 - 21	7VB-E4412-10	7 - 5	7CN-H5690-00	13 - 5	95812-10070	1 - 3				
7NJ-24534-00	11 - 20	7BN-E4445-00	7 - 10	7CT-H5720-00	12 - 8	95822-06008	9 - 5				
4X8-24565-00	11 - 19	7CT-E4451-21	7 - 6	7CN-H5724-00	12 - 10	95822-06012	12 - 9				
7VB-E1111-02	1 - 1	7CT-E4461-21	7 - 7	7CA-H5770-01	13 - 7	95822-06030	1 - 9				
7VB-E1166-00	1 - 10	7CU-E4527-00	8 - 22	90113-05800	5 - 13	95822-08016	9 - 6				
7VB-E1181-01	1 - 2	7BN-E4583-11	7 - 9	90116-06821	1 - 11	95880-06020	12 - 3				
7VB-E1190-00	1 - 7	7VB-E4613-00	9 - 9	90170-05806	5 - 11	97022-06030	4 - 12				
7VB-E1193-01	1 - 8	7VB-E4708-00	9 - 4	90170-18391	12 - 4	97702-40506	9 - 3				
7CT-E1198-00	10 - 6	7VB-E4711-00	9 - 1	90173-06802	4 - 14	98502-05025	4 - 18				
7VB-E1400-50	2 - 1	7CT-E4786-00	9 - 2	90201-06085	11 - 8	98502-06014	13 - 3				
7VB-E1610-01	3 - 2	7CT-E4997-00	8 - 10	90201-067L0	4 - 6	98507-03008	11 - 23				
7VB-E1610-10	3 - 2	7VB-E5111-00	10 - 1	90201-06842	4 - 4	98507-05008	8 - 20				
7VB-E1610-20	3 - 2	7VB-E536A-00	10 - 16	90201-08856	9 - 7	98580-06020	13 - 6				
7VB-E1631-00-A0	3 - 1	7BX-E536A-20	10 - 14	90201-08858	4 - 9	99530-08016	10 - 7				
7VB-E1633-00	3 - 3	7VB-E5411-00	10 - 8	90201-18802	12 - 5	99530-14016	1 - 4				
7VB-E1635-00	3 - 1	7VB-E5451-00	10 - 12	90280-04801	12 - 6						
7VB-E1636-00	3 - 1	7VB-E5710-00	6 - 4	90282-07061	2 - 2						
7VB-E1650-00	3 - 5	7CT-E5713-00	6 - 7	90338-05800	11 - 13						
7CT-E1654-00	3 - 6	7CT-E5714-00	6 - 5	90340-12097	10 - 5						
7CT-E1913-00	4 - 2	7CN-E5715-00	6 - 8	90387-068K8	11 - 9						
7CT-E1914-00	4 - 3	7CT-E5716-00	6 - 9	90464-11806	13 - 4						
7CT-E1917-00	4 - 7	7VB-E5723-01	6 - 15	90467-09806	11 - 16						
7VB-E1922-00	4 - 8	7VB-E5741-00	6 - 6	90468-18800	4 - 10						
7VB-E1924-00	4 - 11	7CN-E5743-00	6 - 11	90480-15235	11 - 7						
7CT-E1925-10	4 - 21	7CT-E5751-00	6 - 12	90501-090A8	4 - 19						
7VB-E1928-00	4 - 15	7CN-E5755-00	6 - 13	90501-264A9	5 - 5						
7CT-E1970-10	4 - 1	7CN-E5793-00	6 - 10	90506-04802	4 - 16						