



PARTS CATALOGUE

MZ250AAGA0 (7KB1) CSA

MZ250KAGD0 (7KBB) CSA

MZ250KAGG0 (7KBB) CSA

MZ250AAGA0
MZ250KAGD0/MZ250KAGG0
PARTS CATALOGUE
©2012 by Yamaha Motor Co., Ltd.
1st edition, October 2012
All rights reserved.
Any reprinting or unauthorized use
without the written permission of
Yamaha Motor Co., Ltd.
is expressly prohibited.
Printed in Japan.

FOREWORD

This Parts Catalogue is related to the parts for the model(s) on the cover page. When you are ordering replacement parts, please refer to this Parts Catalogue and quote both part numbers and part names correctly.

1. Modifications or additions which have been made after the issue of the Parts Catalogue will be announced in the Parts News.

It is advisable that you make the necessary corrections to the Parts Catalogue according to the Parts News.

2. Abbreviations

The following abbreviations are used in this Parts Catalogue.

“UR” Use specified parts number.

“UN” Use as many as needed.

“AP” Alternate Parts

“LM” Locally Made (Parts need to be ordered locally)

“F#” Frame No. (Applicable machine No.)

“O/S” Over Size

3. The number of components for assembly

- Parts, which are to be supplied in an assembly, are listed with a dot (.) in front of the part name as shown below.
- The numeral appearing to the right of each component part indicates the quantity of parts for each assembly unit.

PART NO.	DESCRIPTION	Q'TY	REMARKS
2F5-83310-60	FRONT FLASHER LIGHT ASSY	2	
115-83311-60	.BULB (6V-18W)	1	

4. Applicable colours of graphics are represented in the “REMARKS” as shown below.

PART NO.	DESCRIPTION	Q'TY	REMARKS
2N4-24110-00-X5	FUEL TANK COMP.	2	MXR
3J1-24240-10	.GRAPHIC, FUEL TANK	1	FOR MXR

5. Note that the illustrations for reference in finding parts numbers are not to be used for assembling. When assembling, please use the applicable service manual.

6. The asterisk (*) before a reference number indicates modified items after the first edition.

FOREWORD

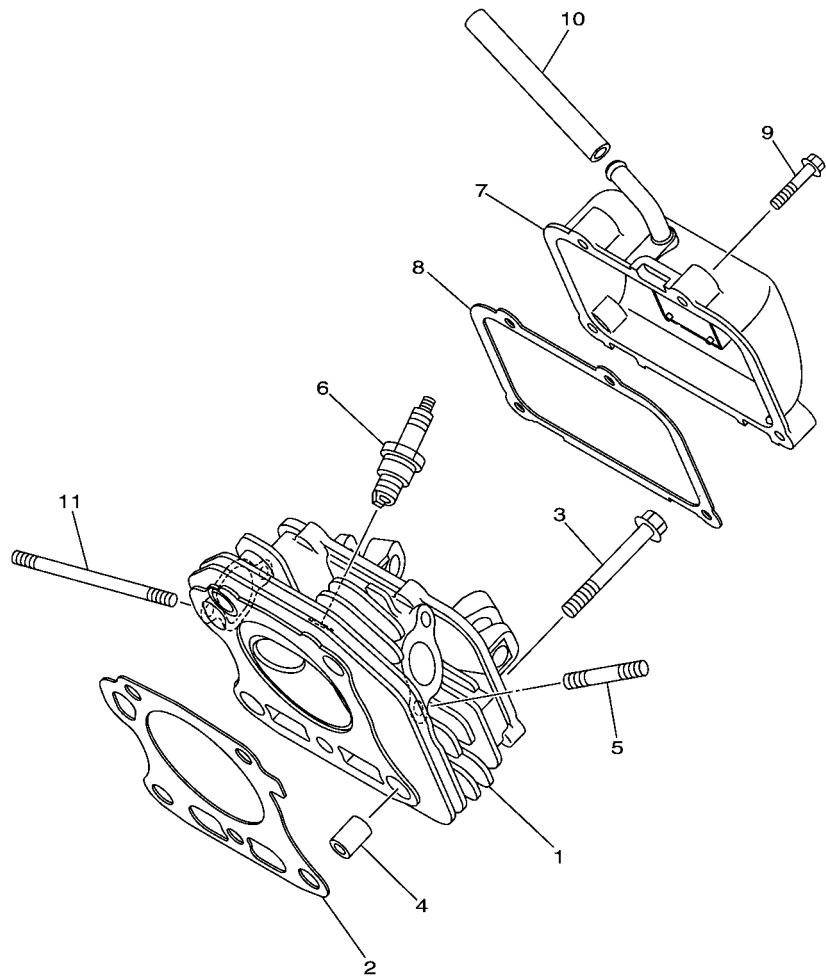
Engine Serial No.

This parts catalogue is related to the parts for the models in the list below.

MODEL CODE	MODEL NAME	SPECIFICATION (OUT LINE)	ENGINE SERIAL NO.
7KB1	MZ250AAGA0	P.T.O. SHAFT A TYPE, MOUNT FACE (UNF)	7KB1-1000101
7KBB	MZ250KAGD0	P.T.O. SHAFT K TYPE, MOUNT FACE (UNF)	7KBB-1000101
7KBB	MZ250KAGG0	P.T.O. SHAFT K TYPE, MOUNT FACE (UNF)	7KBB-2000101

CONTENTS

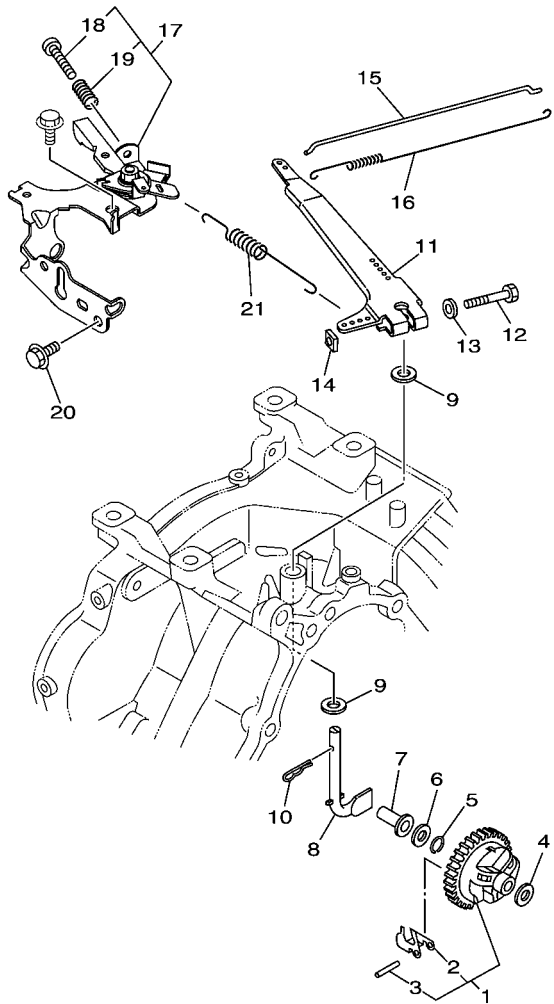
CYLINDER	1
CRANKSHAFT	2
CRANKSHAFT & PISTON	3
GOVERNOR 1	4
GOVERNOR 2	5
CAMSHAFT & VALVE	6
AIR SHROUD & STARTER	7
INTAKE	8
CARBURETOR	9
EXHAUST	10
CRANKCASE COVER	11
FUEL	12
TCI MAGNETO	13
ELECTRICAL	14
BODY FITTING	15
EMBLEM & LABEL	16
INDEX	
NUMERICAL INDEX	17




 7VBJ110-K010

FIG. 1 CYLINDER

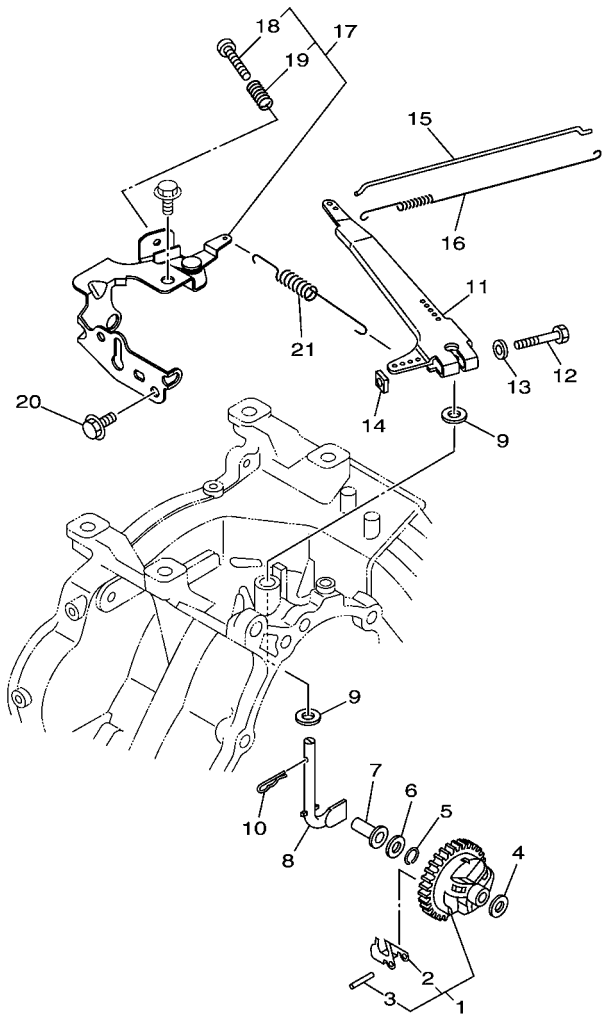
REF. NO.	PART NO.	DESCRIPTION	7KB1	7KBB				REMARKS
1	7KB-E1111-02	HEAD, CYLINDER 1	1	1				
2	7KB-E1181-01	GASKET, CYLINDER HEAD 1	1	1				
3	95812-10070	BOLT, FLANGE	5	5				
4	99530-14016	PIN, DOWEL	2	2				
5	95622-08618	BOLT, STUD	2	2				
6	94702-00819	PLUG, SPARK (NGK BPR4ES)	1	1				
7	7VB-E1190-00	COVER, CYLINDER HEAD 1	1	1				
8	7VB-E1193-01	GASKET, HEAD COVER 1	1	1				
9	95822-06030	BOLT, FLANGE	4	4				
10	7CT-E1166-00	PIPE, BREATHER 1	1	1				
11	90116-06821	BOLT, STUD	2	2				




7KB1200-L040

FIG. 4 GOVERNOR 1

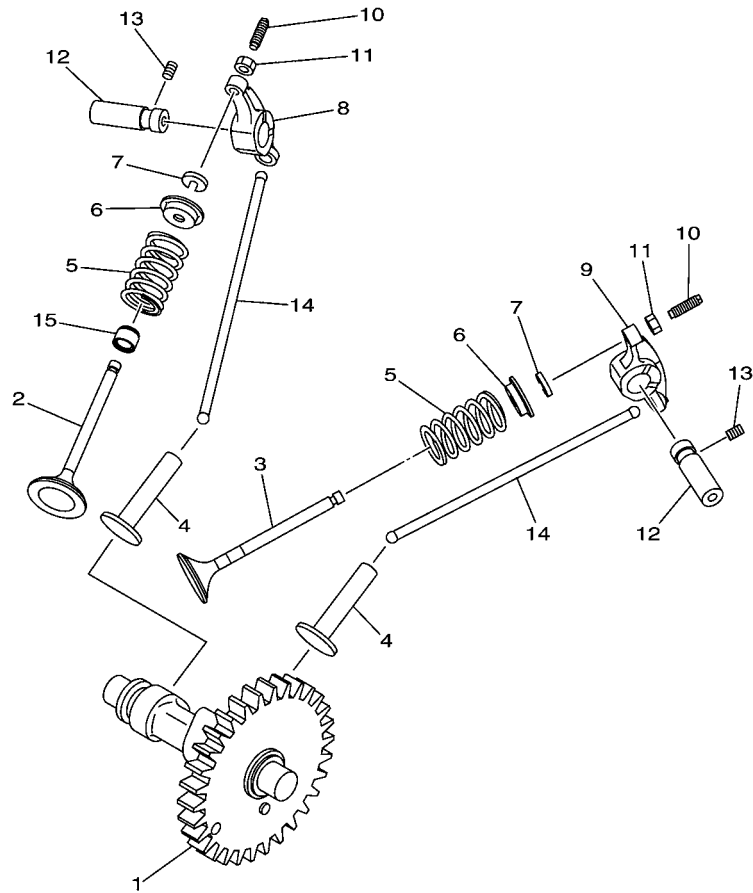
REF. NO.	PART NO.	DESCRIPTION	7KB1	7KBB		REMARKS
1	7CT-E1970-10	FLYWEIGHT SHAFT ASSY.	1			
2	7CT-E1913-00	.WEIGHT	3			
3	7CT-E1914-00	.SHAFT, WEIGHT	3			
4	90201-06842	WASHER, PLATE	1			
5	93440-06826	CIRCLIP	1			
6	90201-067L0	WASHER, PLATE	1			
7	7CT-E1917-00	COLLAR	1			
8	7VB-E1922-00	FORK, GOVERNOR	1			
9	90201-08858	WASHER, PLATE	2			
10	90468-18800	CLIP	1			
11	7VB-E1924-00	ARM, GOVERNOR	1			
12	97022-06030	BOLT, HEXAGON	1			
13	92902-06600	WASHER, PLATE	1			
14	90173-06802	NUT, SQUARE	1			
15	7VB-E1928-00	ROD, LINK	1			
16	90506-04802	SPRING, TENSION	1			
17	7VB-G1240-00	THROTTLE LEVER COMP.	1			
18	98502-05025	.SCREW, PAN HEAD	1			
19	90501-090A8	.SPRING, COMPRESSION	1			
20	95802-06012	BOLT, FLANGE	1			
21	7CT-E1925-10	SPRING, GOVERNOR	1			




7VB5400-L050

FIG. 5 GOVERNOR 2

REF. NO.	PART NO.	DESCRIPTION	7KBT	7KBB	REMARKS
1	7CT-E1970-10	FLYWEIGHT SHAFT ASSY.		1	
2	7CT-E1913-00	.WEIGHT		3	
3	7CT-E1914-00	.SHAFT, WEIGHT		3	
4	90201-06842	WASHER, PLATE		1	
5	93440-06826	CIRCLIP		1	
6	90201-067L0	WASHER, PLATE		1	
7	7CT-E1917-00	COLLAR		1	
8	7VB-E1922-00	FORK, GOVERNOR		1	
9	90201-08858	WASHER, PLATE		2	
10	90468-18800	CLIP		1	
11	7VB-E1924-00	ARM, GOVERNOR		1	
12	97022-06030	BOLT, HEXAGON		1	
13	92902-06600	WASHER, PLATE		1	
14	90173-06802	NUT, SQUARE		1	
15	7VB-E1928-00	ROD, LINK		1	
16	90506-04802	SPRING, TENSION		1	
17	7VB-E1950-00	ADJUST PLATE COMP.		1	
18	98502-05030	.SCREW, PAN HEAD		1	
19	90501-090A8	.SPRING, COMPRESSION		1	
20	95802-06012	BOLT, FLANGE		1	
21	7CT-E1925-10	SPRING, GOVERNOR		1	




 7VBJ110-K050

FIG. 6 CAMSHAFT & VALVE

REF. NO.	PART NO.	DESCRIPTION	7KB1	7KBB			REMARKS
1	7KB-E2180-00	CAMSHAFT ASSY 2	1	1			
2	7KB-E2111-00	VALVE, INTAKE	1	1			
3	7KB-E2121-00	VALVE, EXHAUST	1	1			
4	7VB-E2153-00	LIFTER, VALVE	2	2			
5	90501-264A9	SPRING, COMPRESSION	2	2			
6	7CT-E2117-00	RETAINER, VALVE SPRING	2	2			
7	7CT-E2118-00	LOCK, VALVE SPRING RETAINER	2	2			
8	7VB-E2151-00	ARM, VALVE ROCKER	1	1			
9	7VB-E2161-00	ARM, VALVE ROCKER 2	1	1			
10	7CT-E2159-00	SCREW, VALVE ADJUSTING	2	2			
11	90170-05806	NUT	2	2			
12	7VB-E2156-00	SHAFT, ROCKER 2	2	2			
13	90113-05800	BOLT, SET	2	2			
14	7VB-E2154-00	ROD, VALVE PUSH	2	2			
15	7CT-E2119-00	SEAL, VALVE STEM	1	1			

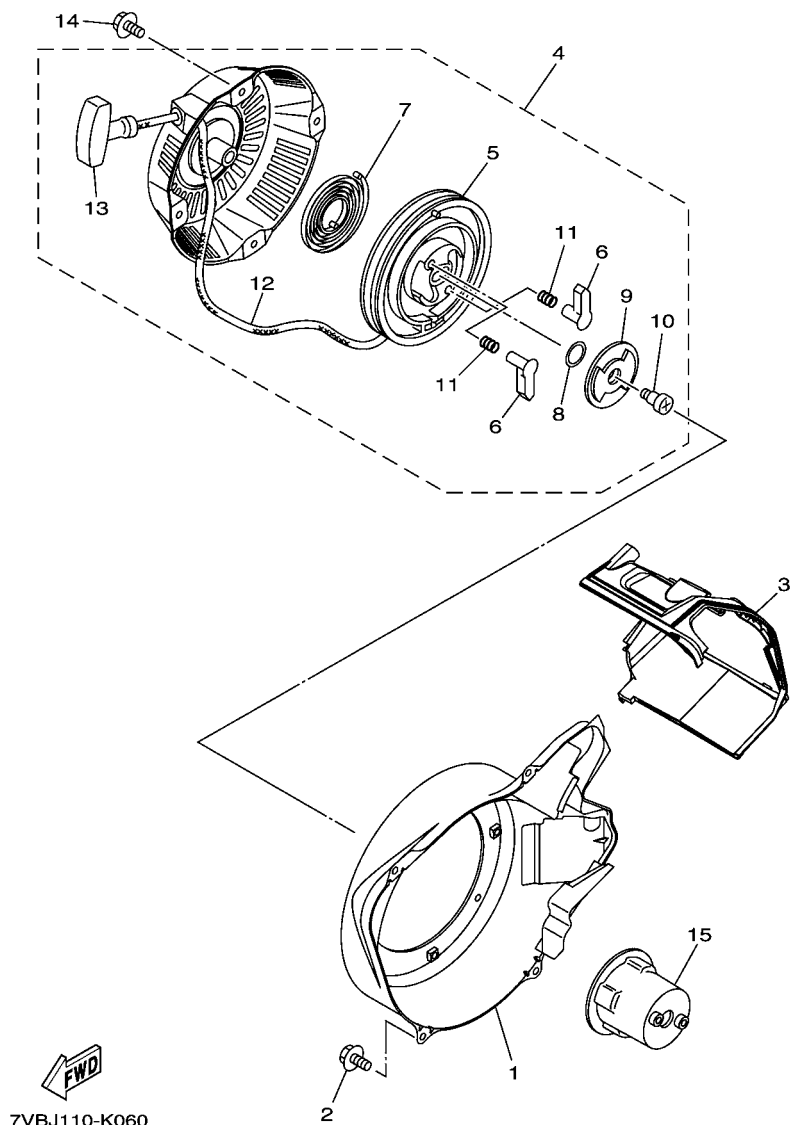


FIG. 7 AIR SHROUD & STARTER

REF. NO.	PART NO.	DESCRIPTION	7KB1	7KBB			REMARKS
			1	1			
1	7VB-E2621-00	CASE, FAN	1	1			
2	95802-06012	BOLT, FLANGE	4	4			
3	7VB-E2651-00	AIR SHROUD, CYLINDER 1	1	1			
4	7VB-E5710-00	STARTER ASSY	1	1			
5	7CT-E5714-00	.DRUM, SHEAVE	1	1			
6	7VB-E5741-00	.PAWL, DRIVE	2	2			
7	7CT-E5713-00	.SPRING, STARTER	1	1			
8	7CN-E5715-00	.SPRING, FRICTION	1	1			
9	7CT-E5716-00	.PLATE, DRIVE	1	1			
10	7CN-E5793-00	.SCREW	1	1			
11	7CN-E5743-00	.SPRING, RETURN	2	2			
12	7CT-E5751-00	.WIRE, STARTER	1	1			
13	7CN-E5755-00	.HANDLE, STARTER	1	1			
14	95802-06008	BOLT, FLANGE	4	4			
15	7VB-E5723-01	PULLEY, STARTER	1	1			

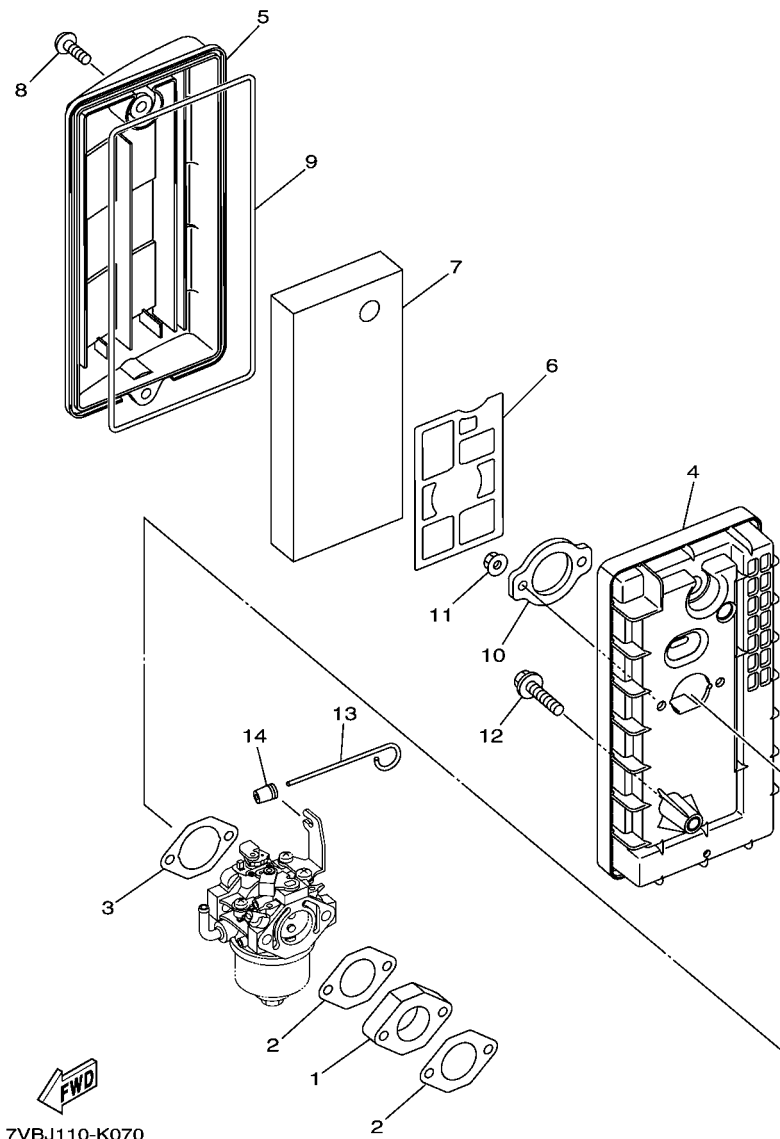
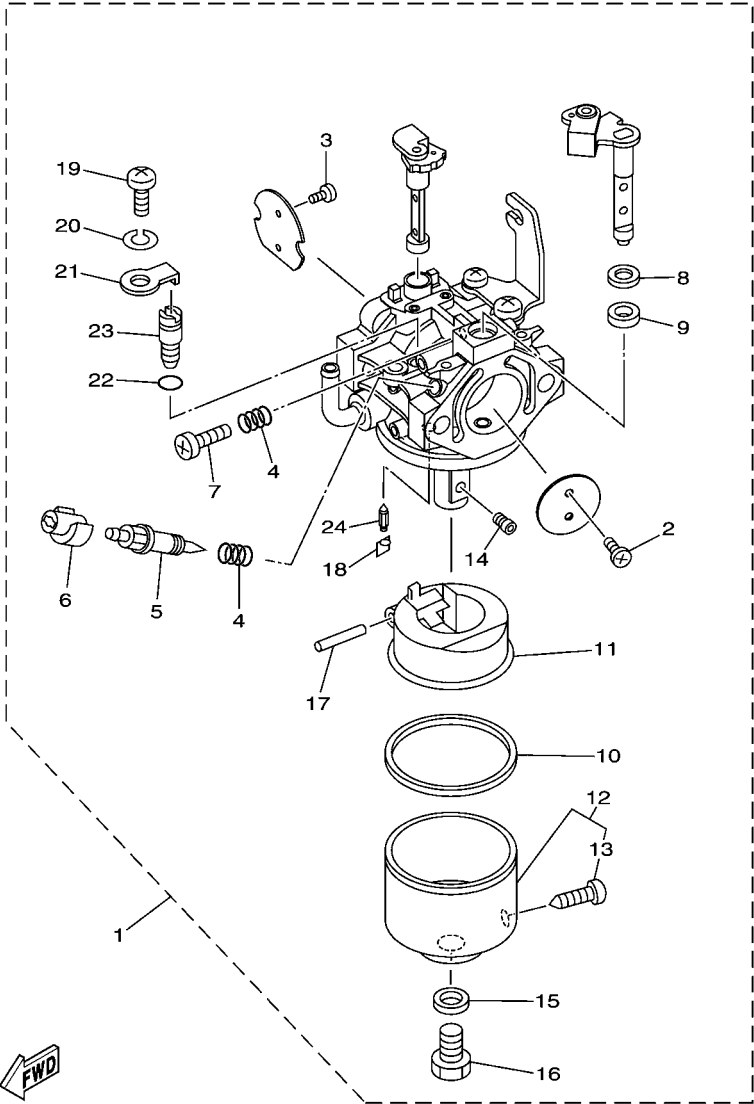


FIG. 8 INTAKE

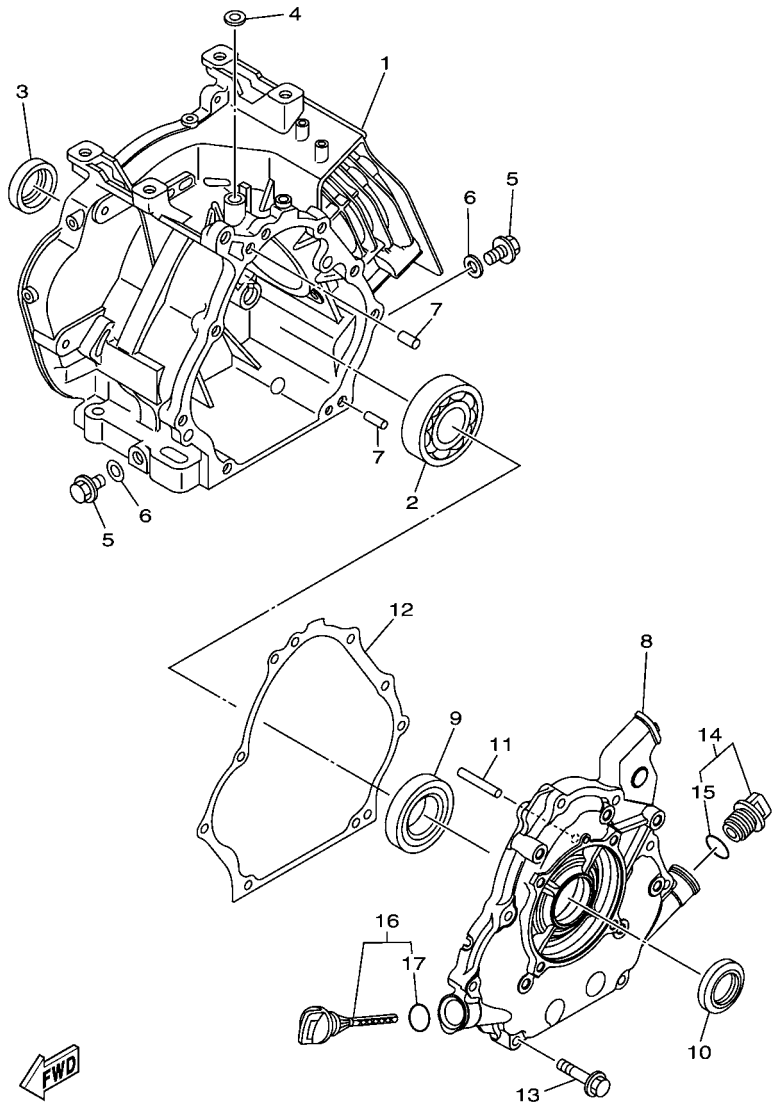
REF. NO.	PART NO.	DESCRIPTION	7KB1	7KBB		REMARKS
1	7VB-E3596-00	JOINT, CARBURETOR 2	1	1		
2	7VB-E3557-00	GASKET	2	2		
3	7VB-E3567-00	GASKET	1	1		
4	7VB-E4411-00	CASE, AIR CLEANER 1	1	1		
5	7VB-E4412-00	CAP, CLEANER CASE 1	1	1		
6	7VB-E4468-00	PLATE,ELEMENT FITTING	1	1		
7	7VB-E4451-00	ELEMENT, AIR CLEANER	1	1		
8	90154-06823	SCREW, BINDING	2	2		
9	7VB-E4467-00	SEAL	1	1		
10	7VB-E4477-00	PLATE	1	1		
11	95702-06500	NUT, FLANGE	2	2		
12	95822-06045	BOLT, FLANGE	1	1		
13	7BN-E4583-11	LEVER, CHOKE	1	1		
14	7BN-E4445-00	GROMMET	1	1		



7KBJ110-L090

FIG. 9 CARBURETOR

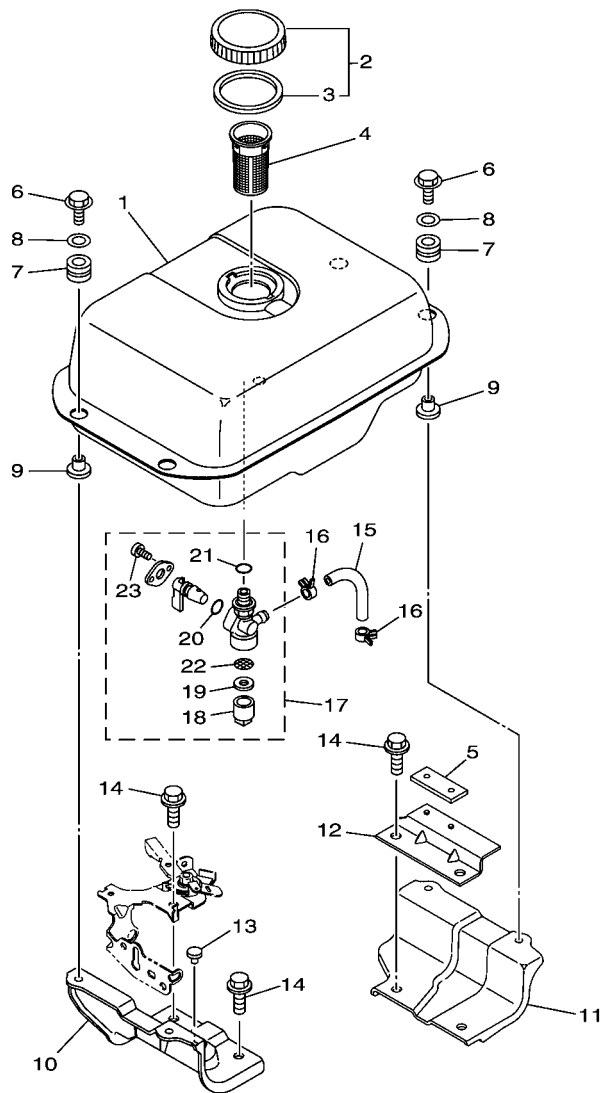
REF. NO.	PART NO.	DESCRIPTION	7KB1	7KBB	REMARKS
1	7KB-E4101-00	CARBURETOR ASSY 1	1	1	
2	7RH-14216-00	.SCREW	2	2	
3	7RH-14486-00	.SCREW, ROD	2	2	
4	73A-14212-10	.SPRING	2	2	
5	7NJ-14211-00	.SCREW, PILOT ADJUSTING	1	1	
6	7LV-14118-00	.CAP	1	1	
7	1WG-14922-00	.SCREW, THROTTLE	1	1	
8	4CW-14117-00	.WASHER, PLUG SCREW	1	1	
9	6K8-14597-10	.WASHER	1	1	
10	7CT-E4997-00	.SEAL	1	1	
11	JN6-14185-00	.FLOAT	1	1	
12	7VB-14181-00	.BODY, FLOAT CHAMBER 1	1	1	
13	7E1-14191-00	.PLUG, DRAIN	1	1	
14	1HX-1423E-38-A0	.JET, MAIN (# 96.3)	1	1	
15	127-14198-00	.GASKET	1	1	
16	7CG-14162-00	.BOLT, HOLDING	1	1	
17	22F-14186-00	.PIN, FLOAT	1	1	
18	7EG-14159-00	.CLIP	1	1	
19	98507-05008	.SCREW, PAN HEAD	1	1	
20	92990-05100	.WASHER, SPRING	1	1	
21	7CU-E4527-00	.PLATE	1	1	
22	2H0-14147-00	.O-RING	1	1	
23	7CU-E4142-37-A0	.JET, PILOT (#37.5)	1	1	
24	7CU-14150-00	.NEEDLE ASSY	1	1	



7VBJ110-K100

FIG. 11 CRANKCASE COVER

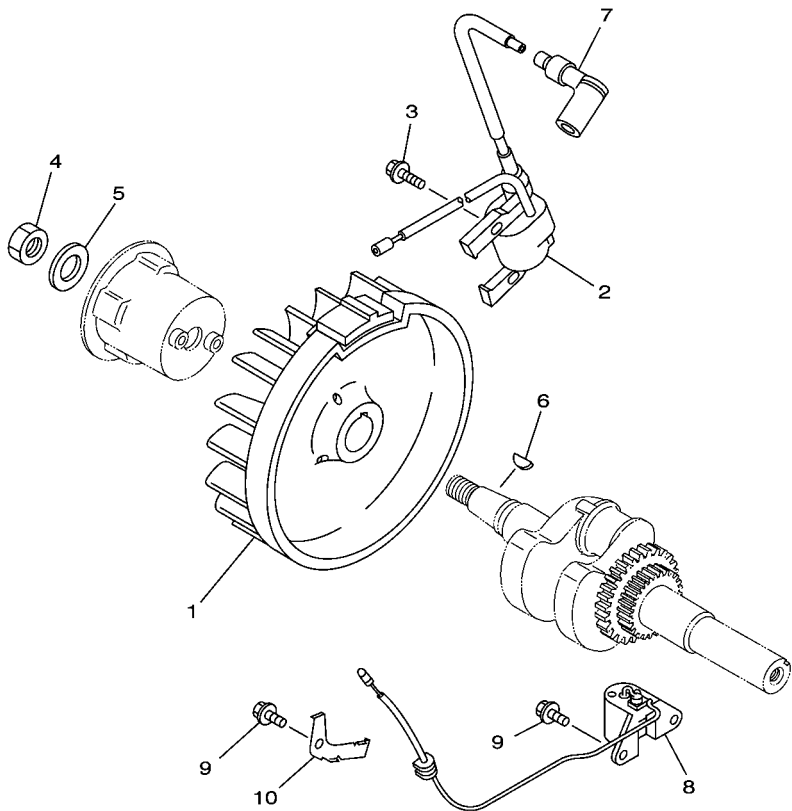
REF. NO.	PART NO.	DESCRIPTION	7KB1	7KBB			REMARKS
1	7KB-E5111-00	CRANKCASE 1	1	1			
2	93306-207Y2	BEARING	1	1			
3	93102-35802	OIL SEAL	1	1			
4	93109-08803	OIL SEAL	1	1			
5	90340-12097	PLUG, STRAIGHT SCREW	2	2			
6	7CT-E1198-00	GASKET	2	2			
7	99530-08016	PIN, DOWEL	2	2			
8	7VB-E5411-00	COVER, CRANKCASE 1	1	1			
9	93306-206Y5	BEARING	1	1			
10	93102-30801	OIL SEAL	1	1			
11	7CT-E1971-00	SHAFT, FLYWEIGHT	1	1			
12	7VB-E5451-00	GASKET, CRANKCASE COVER 1	1	1			
13	95812-08040	BOLT, FLANGE	8	8			
14	7BX-E536A-20	PLUG, OIL LEVEL	1	1			
15	93210-22805	.O-RING	1	1			
16	7VB-E536A-00	PLUG, OIL LEVEL	1	1			
17	93210-22805	.O-RING	1	1			




 7VB5400-L120

FIG. 12 FUEL

REF. NO.	PART NO.	DESCRIPTION	7KB1	7KBB	REMARKS
1	7VB-F4110-00	FUEL TANK COMP.	1	1	
2	7CN-F4610-00	CAP ASSY	1	1	
3	7CN-F4612-00	.PACKING, CAP	1	1	
4	7CN-F4167-00	STRAINER	1	1	
5	7VB-F4181-00	DAMPER, LOCATING 1	1	1	
6	7CT-F4176-00	BOLT 1	4	4	
7	90480-15235	GROMMET	4	4	
8	90201-06085	WASHER, PLATE	4	4	
9	90387-068K8	COLLAR	4	4	
10	7VB-F4115-00	STAY, FUEL TANK 1	1	1	
11	7VB-F4116-01	STAY, FUEL TANK 2	1	1	
12	7VB-F4117-00	STAY, FUEL TANK 3	1	1	
13	90338-05800	PLUG	1	1	
14	95812-08020	BOLT, FLANGE	4	4	
15	7VB-F4311-00	PIPE, FUEL 1	1	1	
16	90467-09806	CLIP	2	2	
17	7CN-F4500-00	FUEL COCK ASSY 1	1	1	
18	7J3-24521-00	.CUP, FILTER	1	1	
19	4X8-24565-00	.GASKET	1	1	
20	7NJ-24534-00	.SEAL, COCK	1	1	
21	7NJ-24532-00	.GASKET	1	1	
22	7NJ-24515-01	.NET, FILTER 2	1	1	
23	98507-03008	.SCREW, PAN HEAD	2	2	

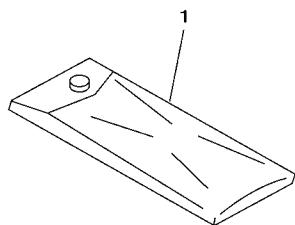



 7VBJ110-K120

FIG. 13 TCI MAGNETO

REF. NO.	PART NO.	DESCRIPTION	7KB1	7KBB			REMARKS
1	7KB-H5650-00	ROTOR ASSY	1	1			
2	7VB-H5640-00	T.C.I. UNIT ASSY	1	1			
3	95880-06020	BOLT, FLANGE	2	2			
4	90170-18391	NUT	1	1			
5	90201-18802	WASHER, PLATE	1	1			
6	90280-04801	KEY, WOODRUFF	1	1			
7	7CN-H2370-00	PLUG CAP ASSY	1	1			
8	7CT-H5720-00	OIL LEVEL GAUGE ASSY	1	1			
9	95822-06012	BOLT, FLANGE	3	3			
10	7CN-H5724-00	CLAMP	1	1			

FIG. 15 BODY FITTING



7WR1400-1260

REF. NO.	PART NO.	DESCRIPTION	7KB1	7KBB				REMARKS
1	7CT-F8100-00	TOOL KIT	1	1				

NUMERICAL INDEX

PART NO.	REF. NO.	PART NO.	REF. NO.	PART NO.	REF. NO.	PART NO.	REF. NO.	PART NO.	REF. NO.	PART NO.	REF. NO.
4CW-14117-00	9 - 8	7VB-E1924-00	4 - 11	7VB-E5451-00	11 - 12	90201-08856	10 - 7	95822-08016	10 - 6		
7LV-14118-00	9 - 6		5 - 11	7VB-E5710-00	7 - 4	90201-08858	4 - 9	95880-06020	13 - 3		
2H0-14147-00	9 - 22	7CT-E1925-10	4 - 21	7CT-E5713-00	7 - 7		5 - 9	97022-06030	4 - 12		
7CU-14150-00	9 - 24		5 - 21	7CT-E5714-00	7 - 5	90201-18802	13 - 5		5 - 12		
7EG-14159-00	9 - 18	7VB-E1928-00	4 - 15	7CN-E5715-00	7 - 8	90280-04801	13 - 6	97702-40506	10 - 3		
7CG-14162-00	9 - 16		5 - 15	7CT-E5716-00	7 - 9	90282-06037	2 - 2	98502-05025	4 - 18		
7VB-14181-00	9 - 12	7VB-E1950-00	5 - 17	7VB-E5723-01	7 - 15	90338-05800	12 - 13	98502-05030	5 - 18		
JN6-14185-00	9 - 11	7CT-E1970-10	4 - 1	7VB-E5741-00	7 - 6	90340-12097	11 - 5	98502-06014	14 - 3		
22F-14186-00	9 - 17		5 - 1	7CN-E5743-00	7 - 11	90387-068K8	12 - 9	98507-03008	12 - 23		
7E1-14191-00	9 - 13	7CT-E1971-00	11 - 11	7CT-E5751-00	7 - 12	90464-11806	14 - 4	98507-05008	9 - 19		
127-14198-00	9 - 15	7KB-E2111-00	6 - 2	7CN-E5755-00	7 - 13	90467-09806	12 - 16	98580-06020	14 - 6		
7NJ-14211-00	9 - 5	7CT-E2117-00	6 - 6	7CN-E5793-00	7 - 10	90468-18800	4 - 10	99530-08016	11 - 7		
73A-14212-10	9 - 4	7CT-E2118-00	6 - 7	7VB-F4110-00	12 - 1		5 - 10	99530-14016	1 - 4		
7RH-14216-00	9 - 2	7CT-E2119-00	6 - 15	7VB-F4115-00	12 - 10	90480-15235	12 - 7				
1HX-1423E-38-A0	9 - 14	7KB-E2121-00	6 - 3	7VB-F4116-01	12 - 11	90501-090A8	4 - 19				
7RH-14486-00	9 - 3	7VB-E2151-00	6 - 8	7VB-F4117-00	12 - 12		5 - 19				
6K8-14597-10	9 - 9	7VB-E2153-00	6 - 4	7CN-F4154-00	16 - 3	90501-264A9	6 - 5				
1WG-14922-00	9 - 7	7VB-E2154-00	6 - 14	7CN-F4162-40	16 - 2	90506-04802	4 - 16				
7NJ-24515-01	12 - 22	7VB-E2156-00	6 - 12	7CN-F4167-00	12 - 4		5 - 16				
7J3-24521-00	12 - 18	7CT-E2159-00	6 - 10	7CT-F4176-00	12 - 6	92902-06600	4 - 13				
7NJ-24532-00	12 - 21	7VB-E2161-00	6 - 9	7VB-F4181-00	12 - 5		5 - 13				
7NJ-24534-00	12 - 20	7KB-E2180-00	6 - 1	7VB-F4311-00	12 - 15	92990-05100	9 - 20				
4X8-24565-00	12 - 19	7VB-E2621-00	7 - 1	7CN-F4500-00	12 - 17	93102-30801	11 - 10				
7KB-E1111-02	1 - 1	7KB-E2629-00	16 - 1	7CN-F4610-00	12 - 2	93102-35802	11 - 3				
7CT-E1166-00	1 - 10	7VB-E2651-00	7 - 3	7CN-F4612-00	12 - 3	93109-08803	11 - 4				
7KB-E1181-01	1 - 2	7VB-E3557-00	8 - 2	7CT-F8100-00	15 - 1	93210-22805	11 - 15				
7VB-E1190-00	1 - 7	7VB-E3567-00	8 - 3	7VB-G1240-00	4 - 17		11 - 17				
7VB-E1193-01	1 - 8	7VB-E3596-00	8 - 1	7CN-H2370-00	13 - 7	93306-206Y5	11 - 9				
7CT-E1198-00	11 - 6	7KB-E4101-00	9 - 1	7CN-H2550-00	14 - 1	93306-207Y2	11 - 2				
7VB-E1400-00	2 - 1	7CU-E4142-37-A0	9 - 23	7CU-H2589-00	14 - 8	93440-06826	4 - 5				
7VB-E1400-10	2 - 1	7VB-E4411-00	8 - 4	7VB-H5640-00	13 - 2		5 - 5				
7KB-E1610-00	3 - 2	7VB-E4412-00	8 - 5	7KB-H5650-00	13 - 1	93450-20839	3 - 4				
7KB-E1610-10	3 - 2	7BN-E4445-00	8 - 14	7CN-H5690-00	14 - 5	94702-00819	1 - 6				
7KB-E1610-20	3 - 2	7VB-E4451-00	8 - 7	7CT-H5720-00	13 - 8	95302-08600	10 - 8				
7KB-E1631-00-A0	3 - 1	7VB-E4467-00	8 - 9	7CN-H5724-00	13 - 10	95622-08618	1 - 5				
7KB-E1633-00	3 - 3	7VB-E4468-00	8 - 6	7CA-H5770-01	14 - 7	95702-06500	8 - 11				
7KB-E1635-00	3 - 1	7VB-E4477-00	8 - 10	90113-05800	6 - 13	95704-06500	14 - 2				
7KB-E1636-00	3 - 1	7CU-E4527-00	9 - 21	90116-06821	1 - 11	95802-06008	7 - 14				
7VB-E1650-00	3 - 5	7BN-E4583-11	8 - 13	90154-06823	8 - 8	95802-06012	4 - 20				
7CT-E1654-00	3 - 6	7VB-E4613-00	10 - 9	90170-05806	6 - 11		5 - 20				
7CT-E1913-00	4 - 2	7VB-E4708-00	10 - 4	90170-18391	13 - 4		7 - 2				
	5 - 2	7VB-E4711-00	10 - 1	90173-06802	4 - 14	95812-08020	12 - 14				
7CT-E1914-00	4 - 3	7CT-E4786-00	10 - 2		5 - 14	95812-08040	11 - 13				
	5 - 3	7CT-E4997-00	9 - 10	90201-06085	12 - 8	95812-10070	1 - 3				
7CT-E1917-00	4 - 7	7KB-E5111-00	11 - 1	90201-067L0	4 - 6	95822-06008	10 - 5				
	5 - 7	7VB-E536A-00	11 - 16		5 - 6	95822-06012	13 - 9				
7VB-E1922-00	4 - 8	7BX-E536A-20	11 - 14	90201-06842	4 - 4	95822-06030	1 - 9				
	5 - 8	7VB-E5411-00	11 - 8		5 - 4	95822-06045	8 - 12				