



PARTS CATALOGUE

MZ200A6AA5 (7DHJ) CSA, MMR, PHL, THA



1M7DH-200E1

()

MZ200A6AA5
PARTS CATALOGUE
©2013 by Yamaha Motor Co., Ltd.
1st edition, November 2013
All rights reserved.
Any reprinting or unauthorized use
without the written permission of
Yamaha Motor Co., Ltd.
is expressly prohibited.
Printed in Japan.

FOREWORD

This Parts Catalogue is related to the parts for the model(s) on the cover page. When you are ordering replacement parts, please refer to this Parts Catalogue and quote both part numbers and part names correctly.

1. Modifications or additions which have been made after the issue of the Parts Catalogue will be announced in the Parts News.

It is advisable that you make the necessary corrections to the Parts Catalogue according to the Parts News.

2. Abbreviations

The following abbreviations are used in this Parts Catalogue.

“UR” Use specified parts number.

“UN” Use as many as needed.

“AP” Alternate Parts

“LM” Locally Made (Parts need to be ordered locally)

“F#” Frame No. (Applicable machine No.)

“O/S” Over Size

3. The number of components for assembly

- Parts, which are to be supplied in an assembly, are listed with a dot (.) in front of the part name as shown below.
- The numeral appearing to the right of each component part indicates the quantity of parts for each assembly unit.

PART NO.	DESCRIPTION	Q'TY	REMARKS
2F5-83310-60	FRONT FLASHER LIGHT ASSY	2	
115-83311-60	.BULB (6V-18W)	1	

4. Applicable colours of graphics are represented in the “REMARKS” as shown below.

PART NO.	DESCRIPTION	Q'TY	REMARKS
2N4-24110-00-X5	FUEL TANK COMP.	2	MXR
3J1-24240-10	.GRAPHIC, FUEL TANK	1	FOR MXR

5. Note that the illustrations for reference in finding parts numbers are not to be used for assembling. When assembling, please use the applicable service manual.

6. The asterisk (*) before a reference number indicates modified items after the first edition.

FOREWORD

Engine Serial No.

This parts catalogue is related to the parts for the models in the list below.

MODEL CODE	MODEL NAME	SPECIFICATION (OUT LINE)	ENGINE SERIAL NO.
7DHJ	MZ200A6AA5	P.T.O. SHAFT A TYPE, MOUNT FACE (UNF)	7DHJ-4000101

CONTENTS

CYLINDER	1
CRANKSHAFT	2
CRANKSHAFT & PISTON	3
GOVERNOR	4
CAMSHAFT & VALVE	5
AIR SHROUD & STARTER	6
INTAKE	7
CARBURETOR	8
EXHAUST	9
CRANKCASE	10
FUEL TANK	11
TCI MAGNETO	12
ELECTRICAL 1	13
EMBLEM & LABEL	14

INDEX

NUMERICAL INDEX	15
-----------------------	----

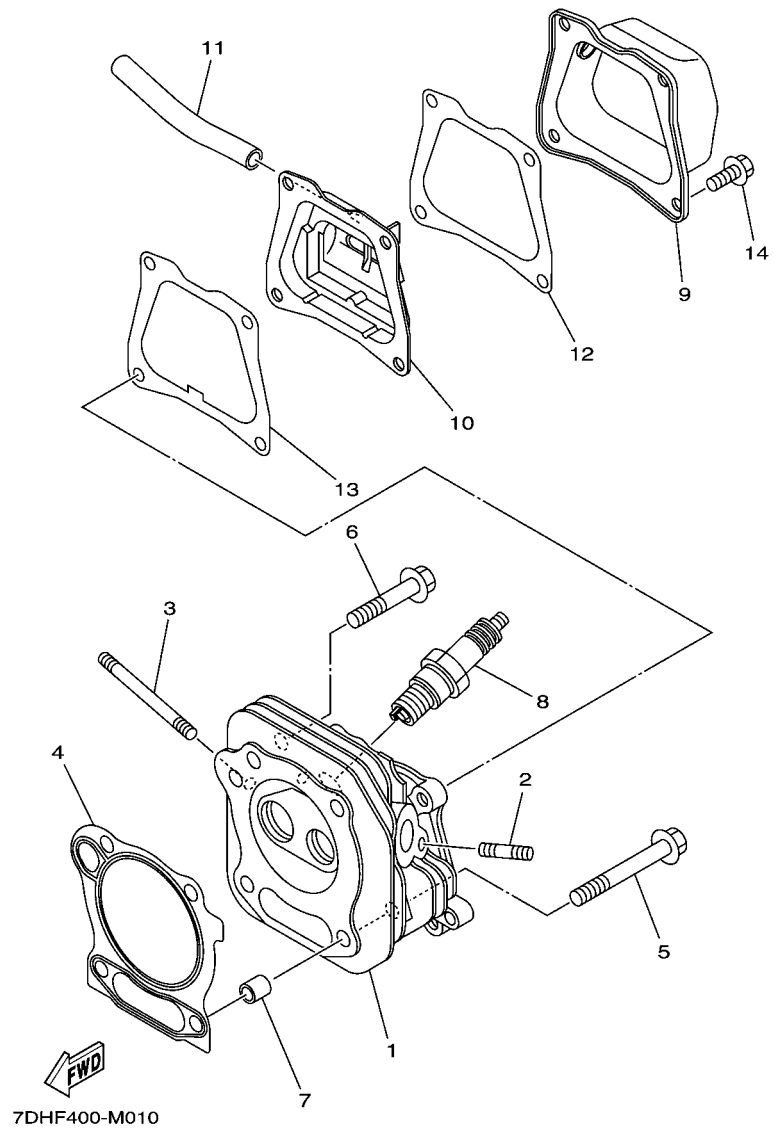
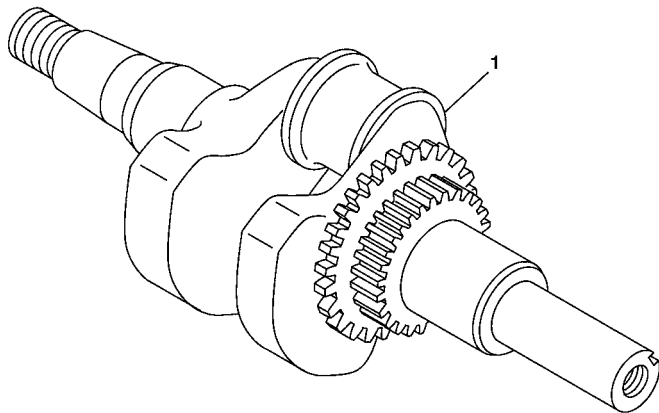
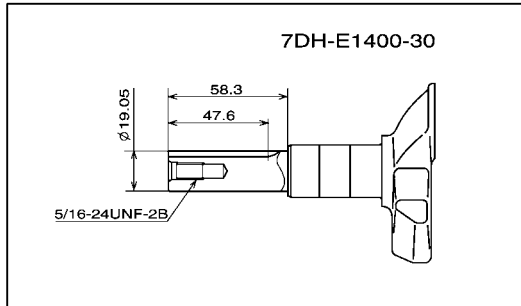


FIG. 1 CYLINDER

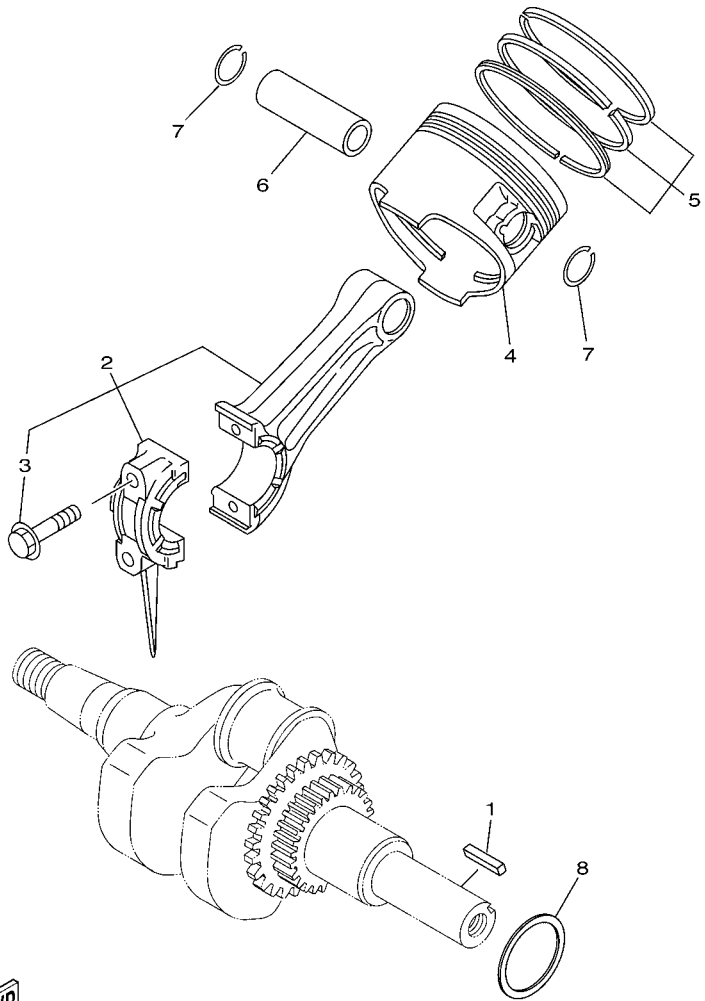
REF. NO.	PART NO.	DESCRIPTION	7DHU				REMARKS
1	7DH-E1121-01	HEAD, CYLINDER 2	1				
2	7DH-E1179-00	BOLT, STUD	2				
3	7CN-E1179-00	BOLT, STUD	2				
4	7DH-E1181-01	GASKET, CYLINDER HEAD 1	1				
5	95822-08065	BOLT, FLANGE	2				
6	90105-088B1	BOLT, FLANGE	2				
7	99530-10114	PIN, DOWEL	2				
8	94702-00819	PLUG, SPARK (NGK BPR4ES)	1				
9	7CN-E1191-00	COVER, CYLINDER HEAD 1	1				
10	7CN-E1160-00	BREATHER ASSY	1				
11	90445-13800	HOSE	1				
12	7CN-E1169-01	GASKET, BREATHER COVER	1				
13	7CN-E1193-00	GASKET, HEAD COVER 1	1				
14	90105-06864	BOLT, FLANGE	4				




 7DHJ400-K020

FIG. 2 CRANKSHAFT

REF. NO.	PART NO.	DESCRIPTION	7DHJ				REMARKS
1	7DH-E1400-30	CRANKSHAFT ASSY	1				



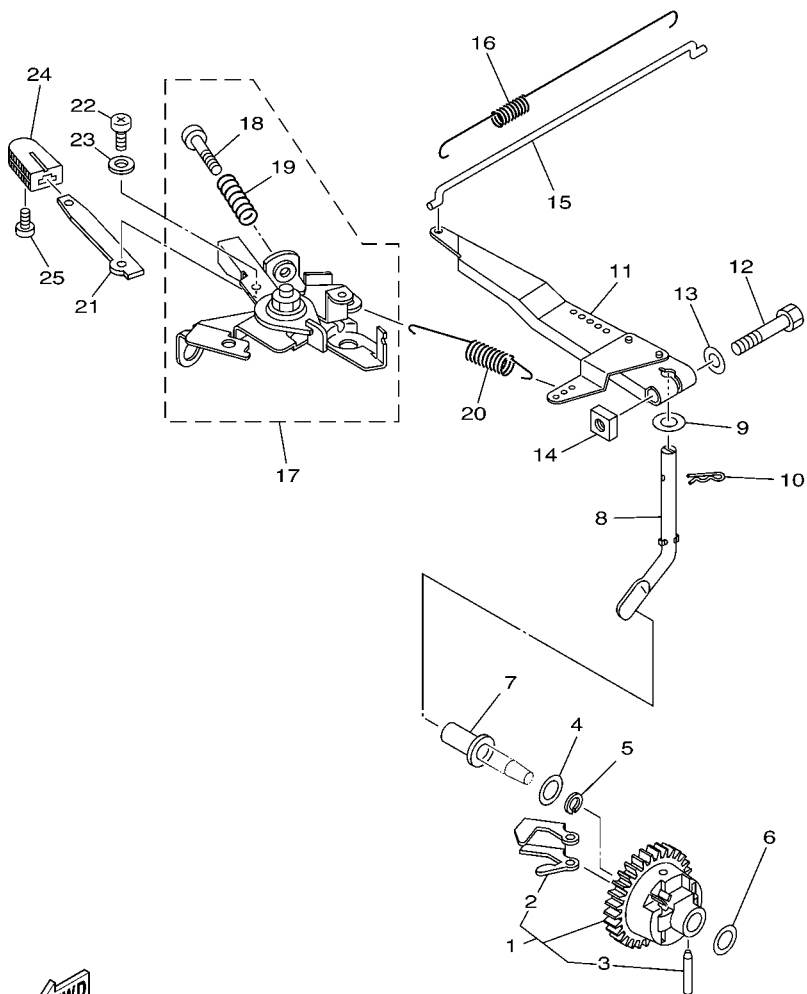

 7CN1200-C030

FIG. 3 CRANKSHAFT & PISTON

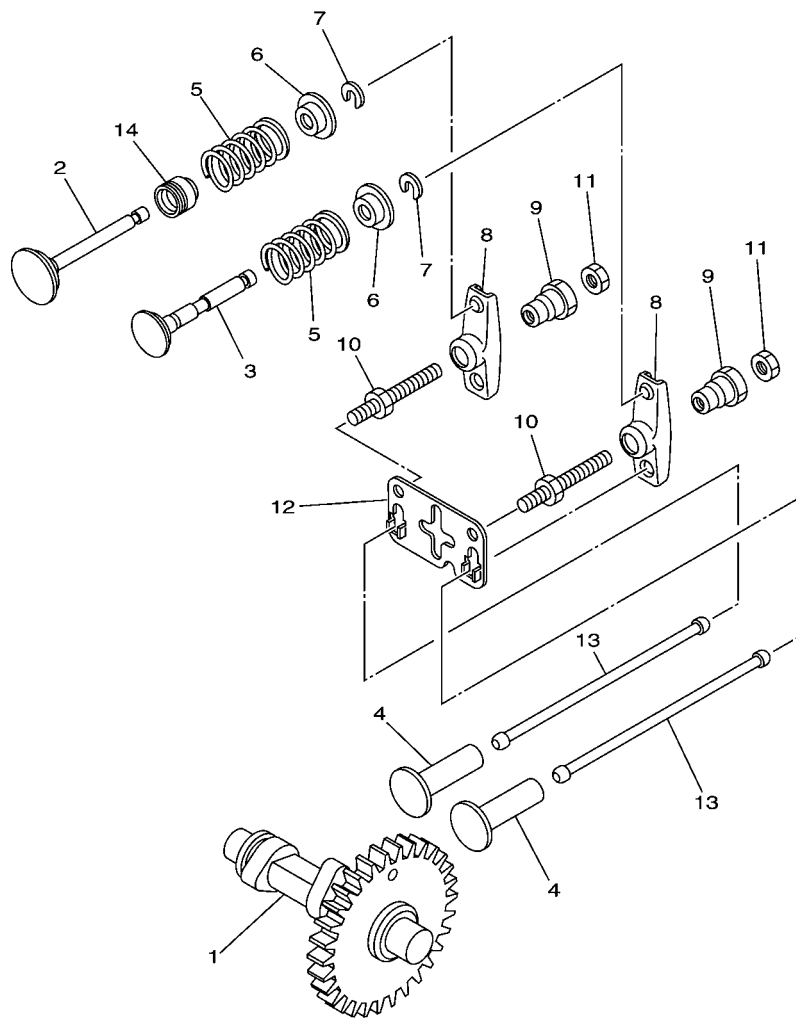
REF. NO.	PART NO.	DESCRIPTION	7DHU				REMARKS
1	90282-05035	KEY, STRAIGHT (4.7MMX35MM)	1				
2	7CN-E1650-11	CONNECTING ROD ASSY	1				
3	7CN-E1654-00	.BOLT, CONNECTING ROD	2				
4	7DH-E1631-10-A0	PISTON (STD)	1				
	7DH-E1635-00	PISTON (0.25MM O/S)	1				AP
	7DH-E1636-00	PISTON (0.50MM O/S)	1				AP
5	7DH-E1610-00	PISTON RING SET (STD)	1				
	7DH-E1610-10	PISTON RING SET (0.25MM O/S)	1				AP
	7DH-E1610-20	PISTON RING SET (0.50MM O/S)	1				AP
6	7CN-E1633-00	PIN, PISTON	1				
7	93450-17828	CIRCLIP	2				
8	7CN-E1561-00	SHIM, CRANK 1 (T=0.1)	1				UN

FIG. 4 GOVERNOR

REF. NO.	PART NO.	DESCRIPTION	7DHU				REMARKS
1	7CN-E1970-00	FLYWEIGHT SHAFT ASSY.	1				
2	7CN-E1913-00	.WEIGHT	2				
3	7CT-E1914-00	.SHAFT, WEIGHT	2				
4	90201-06842	WASHER, PLATE	1				
5	93440-06826	CIRCLIP	1				
6	90201-06842	WASHER, PLATE	1				
7	7CN-E1917-00	COLLAR	1				
8	7CN-E1922-00	FORK, GOVERNOR	1				
9	92902-06200	WASHER	1				
10	90468-18800	CLIP	1				
11	7CN-E1924-10	ARM, GOVERNOR	1				
12	97022-06030	BOLT, HEXAGON	1				
13	92902-06600	WASHER, PLATE	1				
14	90173-06802	NUT, SQUARE	1				
15	7CN-E1928-00	ROD, LINK	1				
16	90506-04800	SPRING, TENSION	1				
17	7CN-G1240-00	THROTTLE LEVER COMP.	1				
18	98502-05025	.SCREW, PAN HEAD	1				
19	90501-090A8	.SPRING, COMPRESSION	1				
20	7CN-E1925-00	SPRING, GOVERNOR	1				
21	7CN-G1238-00	JOINT, LINK	1				
22	98502-05506	SCREW, PAN HEAD	1				
23	92902-05600	WASHER, PLATE	1				
24	7CN-G1271-00	KNOB, CHOKE	1				
25	7CN-G1239-00	SCREW	1				



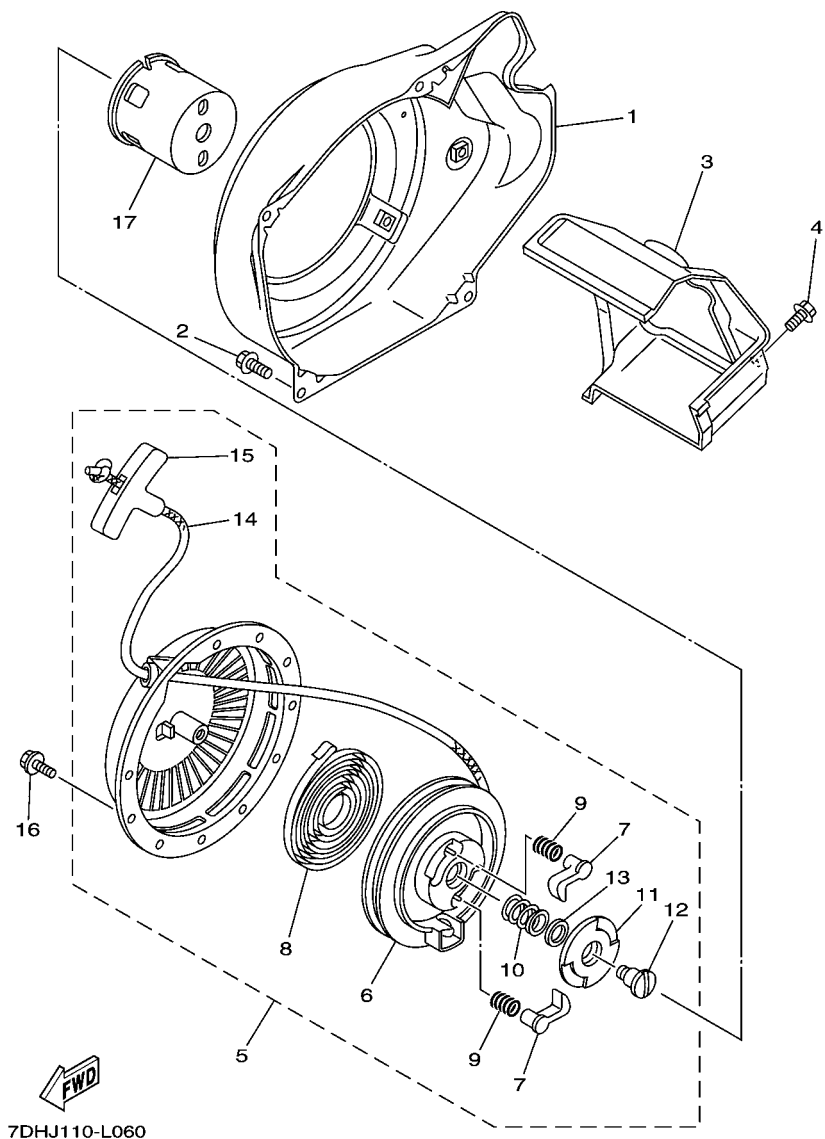

7CN1200-C050




 7DHN110-L050

FIG. 5 CAMSHAFT & VALVE

REF. NO.	PART NO.	DESCRIPTION	7DHU				REMARKS
1	7CN-E2170-00	CAMSHAFT ASSY 1	1				
2	7DH-E2111-00	VALVE, INTAKE	1				
3	7CN-E2121-00	VALVE, EXHAUST	1				
4	7CN-E2153-00	LIFTER, VALVE	2				
5	90501-20800	SPRING, COMPRESSION	2				
6	7CN-E2117-00	RETAINER, VALVE SPRING	2				
7	7CN-E2118-00	LOCK, VALVE SPRING RETAINER	2				
8	7CN-E2151-00	ARM, VALVE ROCKER	2				
9	7CN-E2165-00	PIVOT, ROCKER ARM	2				
10	7CN-E2157-01	BOLT	2				
11	7CN-E2158-01	NUT, LOCK	2				
12	7CN-E2155-01	GUIDE, PUSH ROD	1				
13	7CN-E2154-00	ROD, VALVE PUSH	2				
14	7DH-E2119-01	SEAL, VALVE STEM	1				



7DHJ110-L060

FIG. 6 AIR SHROUD & STARTER

REF. NO.	PART NO.	DESCRIPTION	7DHJ				REMARKS
1	7CN-E2621-30	CASE, FAN	1				
2	90105-06864	BOLT, FLANGE	4				
3	7CN-E2651-01	AIR SHROUD, CYLINDER 1	1				
4	90105-06864	BOLT, FLANGE	1				
5	7DH-E5710-00	STARTER ASSY	1				
6	7DH-E5714-01	.DRUM, SHEAVE	1				
7	7DH-E5741-00	.PAWL, DRIVE	2				
8	7DH-E5713-00	.SPRING, STARTER	1				
9	7DH-E5743-00	.SPRING, RETURN	2				
10	7DH-E5715-00	.SPRING, FRICTION	1				
11	7DH-E5716-00	.PLATE, DRIVE	1				
12	7DH-E5793-00	.SCREW	1				
13	7DH-E5719-00	.WASHER, THRUST	1				
14	7DH-E5751-00	.WIRE, STARTER	1				
15	7DH-E5755-00	.HANDLE, STARTER	1				
16	90105-06865	BOLT, FLANGE	3				
17	7DH-E5723-00	PULLEY, STARTER	1				

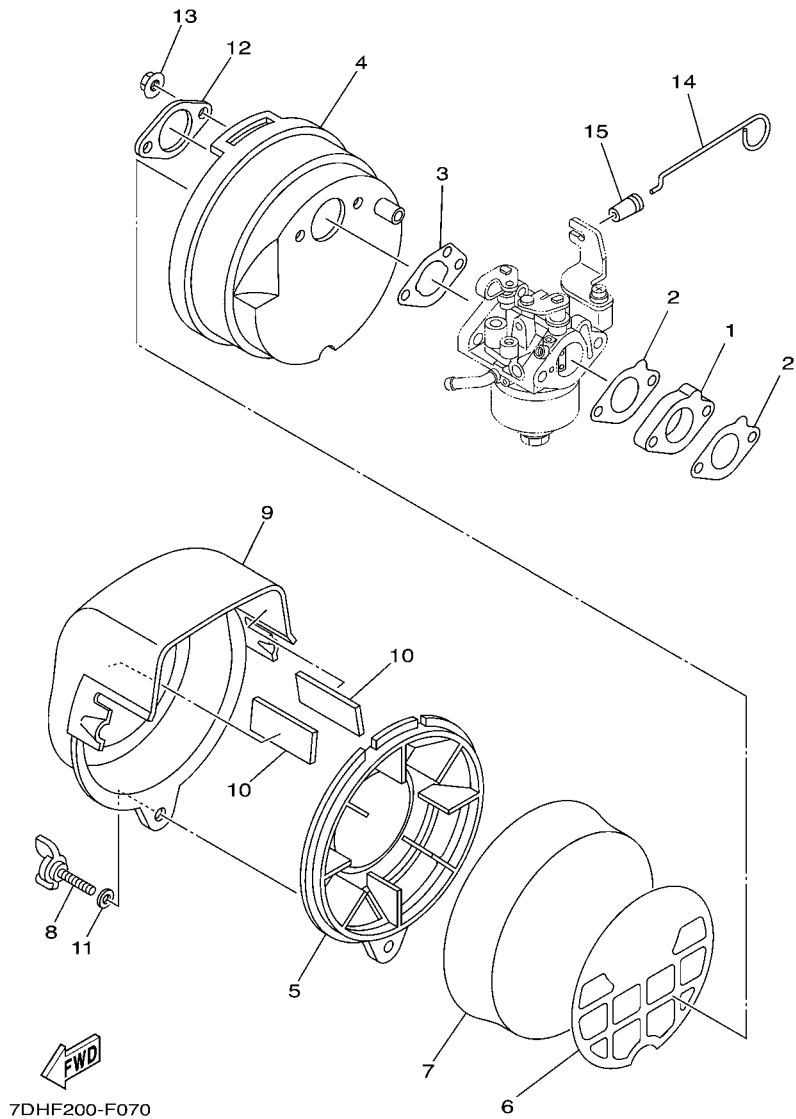


FIG. 7 INTAKE

REF. NO.	PART NO.	DESCRIPTION	7DHU				REMARKS
1	7CN-E3596-10	JOINT, CARBURETOR 2	1				
2	7CN-E3557-12	GASKET	2				
3	7CN-E3567-12	GASKET	1				
4	7CN-E4411-20	CASE, AIR CLEANER 1	1				
5	7CN-E4412-20	CAP, CLEANER CASE 1	1				
6	7CN-E4468-20	PLATE, ELEMENT FITTING	1				
7	7CN-E4451-20	ELEMENT, AIR CLEANER	1				
8	90122-06017	BOLT, WING	1				
9	7CN-E4422-30	CAP, CLEANER CASE 2	1				
10	7CN-E2684-00	DAMPER, DUCT 1	2				
11	90201-06085	WASHER, PLATE	1				
12	7CN-E4477-00	PLATE	1				
13	95702-06500	NUT, FLANGE	2				
14	7BN-E4583-11	LEVER, CHOKE	1				
15	7BN-E4445-00	GROMMET	1				

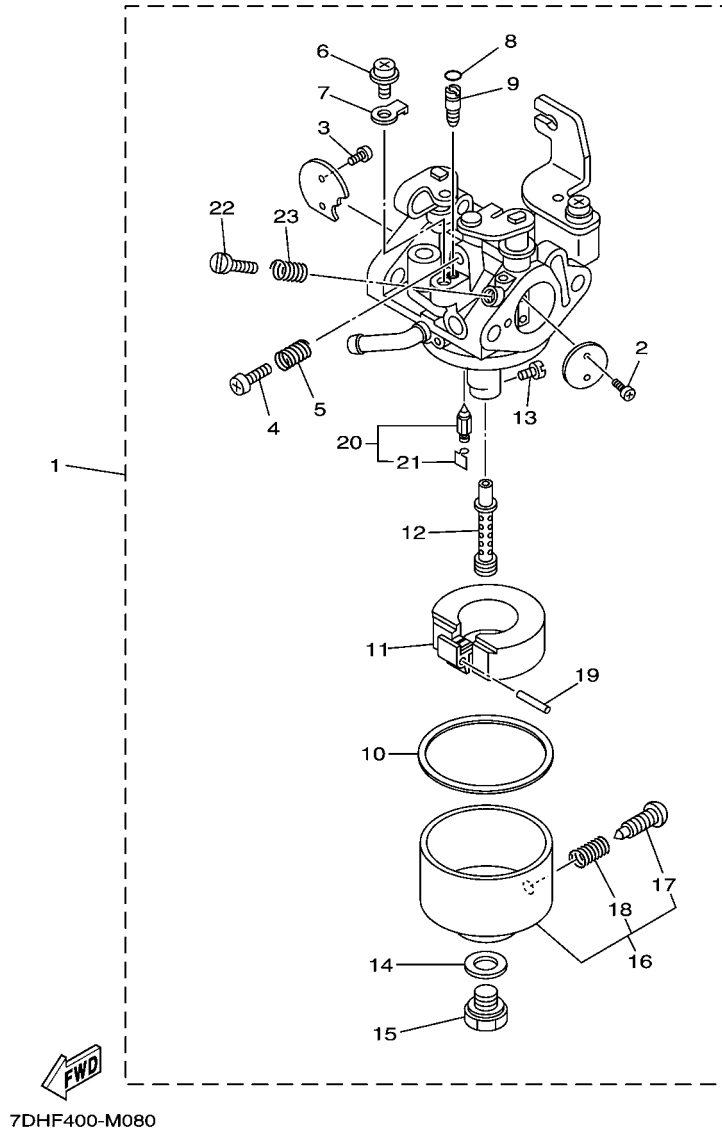
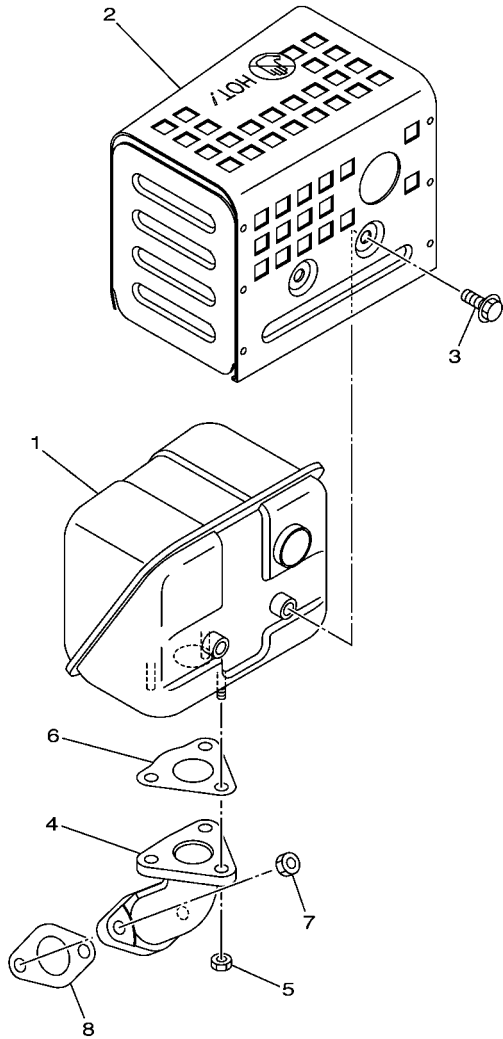


FIG. 8 CARBURETOR

REF. NO.	PART NO.	DESCRIPTION	7DHU				REMARKS
1	7DH-E4101-02	CARBURETOR ASSY 1	1				
2	7RH-14216-00	.SCREW	2				
3	7RH-14486-00	.SCREW, ROD	2				
4	7DH-E4922-00	.SCREW, THROTTLE	1				
5	82A-14134-00	.SPRING, AIR ADJUSTING	1				
6	7DH-E4216-00	.SCREW	1				
7	7DH-E4243-00	.PLATE	1				
8	2H0-14147-00	.O-RING	1				
9	7DH-E4142-37	.JET, PILOT (# 37.5)	1				
10	7CN-E4997-00	.SEAL	1				
11	7EG-14185-00	.FLOAT	1				
12	7DH-E495H-4A	.NOZZLE, MAIN	1				
13	7NN-1414A-69	.JET, MAIN (# 92.5)	1				
14	7G0-14227-00	.WASHER	1				
15	7DH-E4162-00	.BOLT, HOLDING	1				
16	7DH-E4181-00	.BODY, FLOAT CHAMBER 1	1				
17	7DH-E4191-00	.PLUG, DRAIN	1				
18	82A-14134-00	.SPRING, AIR ADJUSTING	1				
19	7CN-E4186-00	.PIN, FLOAT	1				
20	5YY-14150-00	.NEEDLE ASSY	1				
21	7EG-14159-00	.CLIP	1				
22	7LV-14211-00	.SCREW, PILOT ADJUSTING	1				
23	82A-14134-00	.SPRING, AIR ADJUSTING	1				




7DHF400-M090

FIG. 9 EXHAUST

REF. NO.	PART NO.	DESCRIPTION	7DHU				REMARKS
1	7DH-E4711-40	MUFFLER 1	1				
2	7DH-E4708-40	PROTECTOR ASSY	1				
3	90105-06871	BOLT, FLANGE	4				
4	7DH-E4611-40	PIPE, EXHAUST 1	1				
5	90170-06808	NUT	3				
6	7DH-E4613-40	GASKET, EXHAUST PIPE	1				
7	90170-06808	NUT	2				
8	7CN-E4613-00	GASKET, EXHAUST PIPE	1				

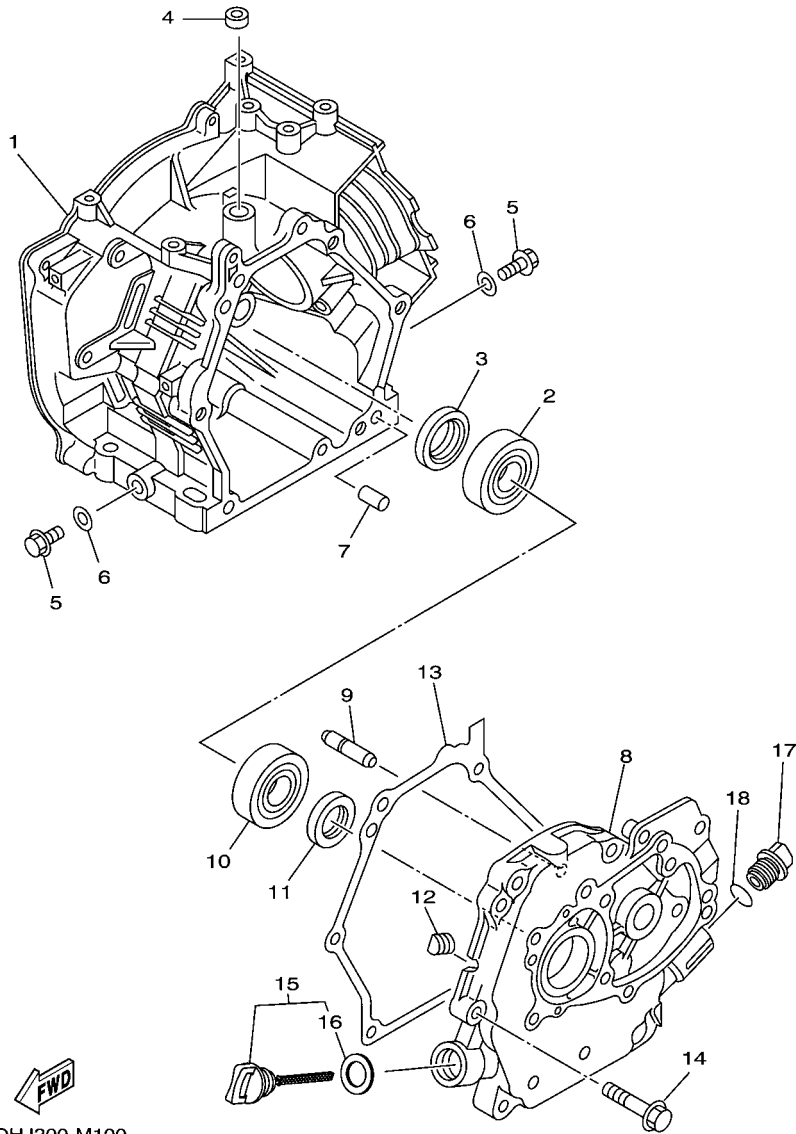
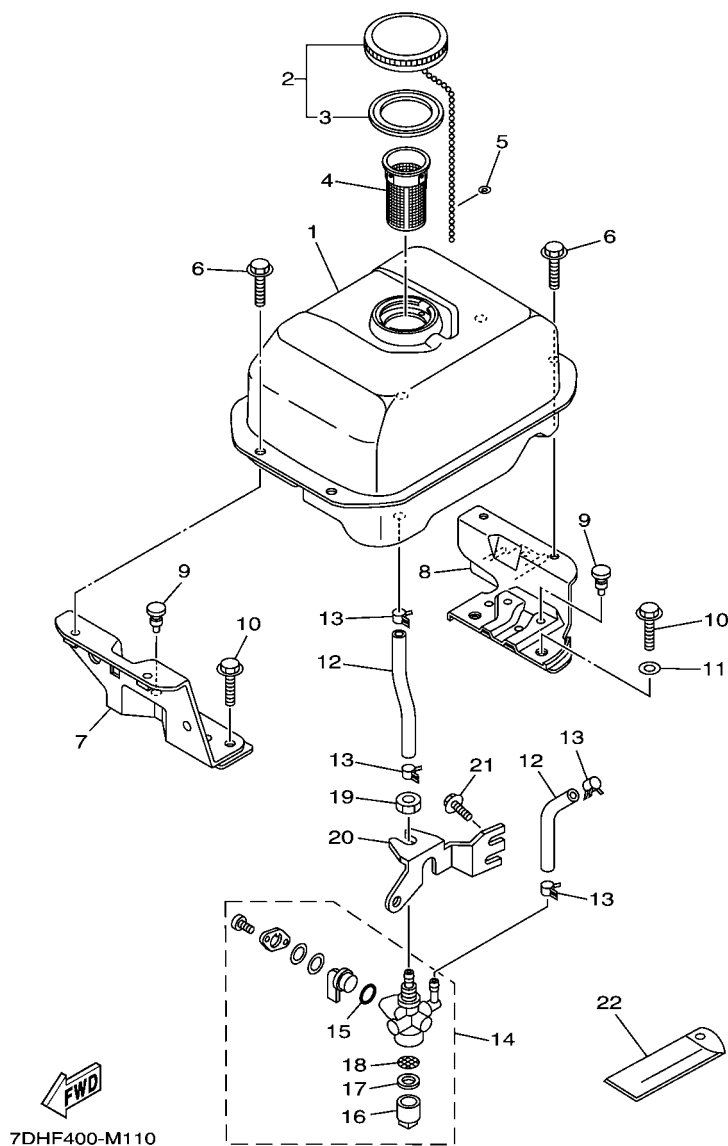


FIG. 10 CRANKCASE

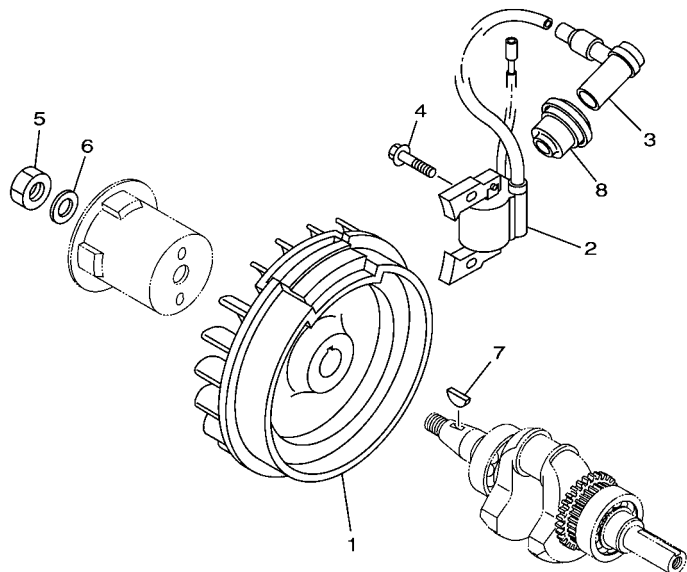
REF. NO.	PART NO.	DESCRIPTION	7DHJ				REMARKS
1	7DH-E5121-01	CRANKCASE 2	1				
2	93306-206Y4	BEARING	1				
3	93102-25806	OIL SEAL	1				
4	93104-06800	OIL SEAL	1				
5	7DH-E5187-00	BOLT	2				
6	90430-10801	GASKET	2				
7	99530-08016	PIN, DOWEL	2				
8	7CN-E5411-50	COVER, CRANKCASE 1	1				
9	7CN-E1971-00	SHAFT, FLYWEIGHT	1				
10	93306-205XV	BEARING	1				
11	93102-25805	OIL SEAL	1				
12	90338-06800	PLUG	1				
13	7CN-E5451-01	GASKET, CRANKCASE COVER 1	1				
14	90105-08895	BOLT, FLANGE	6				
15	7BX-E536A-00	PLUG, OIL LEVEL	1				
16	90430-17801	GASKET	1				
17	7CN-E5362-00	PLUG, OIL LEVEL	1				
18	93210-13801	O-RING	1				

FIG. 11 FUEL TANK



REF. NO.	PART NO.	DESCRIPTION	7DHU				REMARKS
1	7CN-F4110-70	FUEL TANK COMP.	1				
2	7CN-F4610-20	CAP ASSY	1				
3	7CN-F4612-01	.PACKING, CAP	1				
4	7CN-F4167-00	STRAINER	1				
5	7CA-F1757-00	WASHER, SPECIAL 1	1				
6	90105-06864	BOLT, FLANGE	4				
7	7CN-F4115-00	STAY, FUEL TANK 1	1				
8	7CN-F4116-00	STAY, FUEL TANK 2	1				
9	90338-05800	PLUG	3				
10	90105-08899	BOLT, FLANGE	4				
11	90201-08826	WASHER, PLATE	3				
12	90445-100K4	HOSE (L125)	2				
13	90467-09806	CLIP	4				
14	7CN-F4500-11	FUEL COCK ASSY 1	1				
15	7CN-F4534-00	.SEAL, COCK	1				
16	7J3-24521-00	.CUP, FILTER	1				
17	4X8-24565-00	.GASKET	1				
18	7CN-F4515-10	.NET, FILTER 2	1				
19	95302-10700	NUT	1				
20	7DH-F4544-00	BRACKET, FUEL COCK	1				
21	90105-06866	BOLT, FLANGE	1				
22	7CA-F8100-01	TOOL KIT	1				

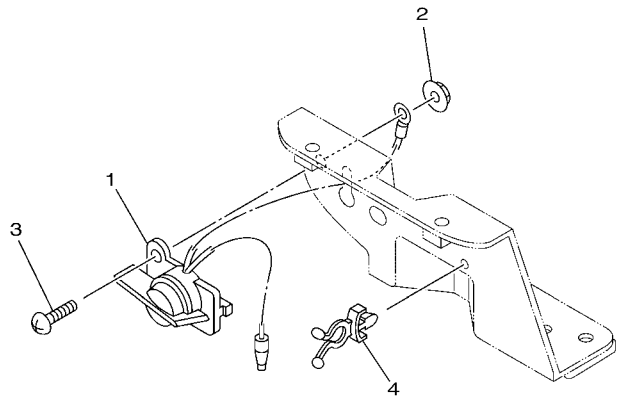
FIG. 12 TCI MAGNETO



REF. NO.	PART NO.	DESCRIPTION	7DHU				REMARKS
1	7DH-H5650-00	ROTOR ASSY	1				
2	7CN-H5640-01	T.C.I. UNIT ASSY	1				
3	7CN-H2370-10	PLUG CAP ASSY	1				
4	90105-06872	BOLT, FLANGE	2				
5	90170-14800	NUT	1				
6	92902-14200	WASHER	1				
7	90280-04801	KEY, WOODRUFF	1				
8	7CP-H2372-00	SEAL, PLUG CAP	1				


7DH2400-M120

FIG. 13 ELECTRICAL 1

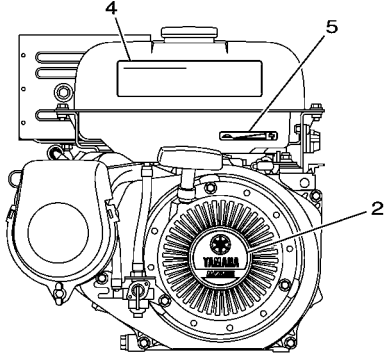
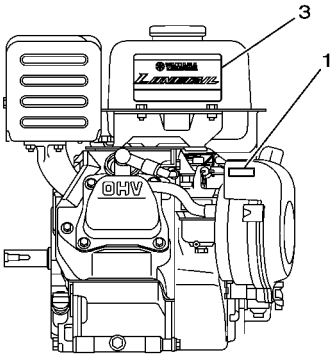
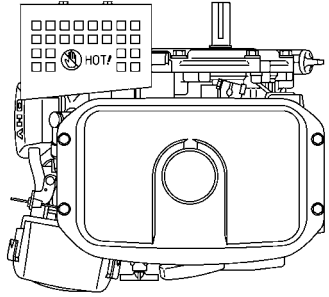


7DH1200-F130

REF. NO.	PART NO.	DESCRIPTION	7DHU				REMARKS
1	7CN-H2550-00	ENGINE STOP SWITCH ASSY	1				
2	95704-06500	NUT, FLANGE	1				
3	90157-06810	SCREW, PAN HEAD	1				
4	90464-07803	CLAMP	1				

FIG. 14 EMBLEM & LABEL

REF. NO.	PART NO.	DESCRIPTION	7DHU					REMARKS
1	7BN-F4155-00	INDICATOR, CHOKE	1					
2	7DH-E2629-00	EMBLEM (MZ200)	1					
3	7DH-F4161-02	EMBLEM 1 (LONGLTAIL)	2					
4	7CN-F4162-40	EMBLEM 2 (WARNING)	1					
5	7CN-F4154-00	INDICATOR, SHIFT	1					



7DHF400-M140

NUMERICAL INDEX

PART NO.	REF. NO.	PART NO.	REF. NO.	PART NO.	REF. NO.	PART NO.	REF. NO.	PART NO.	REF. NO.	PART NO.	REF. NO.
82A-14134-00	8 - 5	7CN-E2153-00	5 - 4	7DH-E5716-00	6 - 11	90170-14800	12 - 5				
	8 - 18	7CN-E2154-00	5 - 13	7DH-E5719-00	6 - 13	90173-06802	4 - 14				
	8 - 23	7CN-E2155-01	5 - 12	7DH-E5723-00	6 - 17	90201-06085	7 - 11				
2H0-14147-00	8 - 8	7CN-E2157-01	5 - 10	7DH-E5741-00	6 - 7	90201-06842	4 - 4				
7NN-1414A-69	8 - 13	7CN-E2158-01	5 - 11	7DH-E5743-00	6 - 9		4 - 6				
5YY-14150-00	8 - 20	7CN-E2165-00	5 - 9	7DH-E5751-00	6 - 14	90201-08826	11 - 11				
7EG-14159-00	8 - 21	7CN-E2170-00	5 - 1	7DH-E5755-00	6 - 15	90280-04801	12 - 7				
7EG-14185-00	8 - 11	7CN-E2621-30	6 - 1	7DH-E5793-00	6 - 12	90282-05035	3 - 1				
7LV-14211-00	8 - 22	7DH-E2629-00	14 - 2	7CA-F1757-00	11 - 5	90338-05800	11 - 9				
7RH-14216-00	8 - 2	7CN-E2651-01	6 - 3	7CN-F4110-70	11 - 1	90338-06800	10 - 12				
7G0-14227-00	8 - 14	7CN-E2684-00	7 - 10	7CN-F4115-00	11 - 7	90430-10801	10 - 6				
7RH-14486-00	8 - 3	7CN-E3557-12	7 - 2	7CN-F4116-00	11 - 8	90430-17801	10 - 16				
7J3-24521-00	11 - 16	7CN-E3567-12	7 - 3	7CN-F4154-00	14 - 5	90445-100K4	11 - 12				
4X8-24565-00	11 - 17	7CN-E3596-10	7 - 1	7BN-F4155-00	14 - 1	90445-13800	1 - 11				
7DH-E1121-01	1 - 1	7DH-E4101-02	8 - 1	7DH-F4161-02	14 - 3	90464-07803	13 - 4				
7CN-E1160-00	1 - 10	7DH-E4142-37	8 - 9	7CN-F4162-40	14 - 4	90467-09806	11 - 13				
7CN-E1169-01	1 - 12	7DH-E4162-00	8 - 15	7CN-F4167-00	11 - 4	90468-18800	4 - 10				
7CN-E1179-00	1 - 3	7DH-E4181-00	8 - 16	7CN-F4500-11	11 - 14	90501-090A8	4 - 19				
7DH-E1179-00	1 - 2	7CN-E4186-00	8 - 19	7CN-F4515-10	11 - 18	90501-20800	5 - 5				
7DH-E1181-01	1 - 4	7DH-E4191-00	8 - 17	7CN-F4534-00	11 - 15	90506-04800	4 - 16				
7CN-E1191-00	1 - 9	7DH-E4216-00	8 - 6	7DH-F4544-00	11 - 20	92902-05600	4 - 23				
7CN-E1193-00	1 - 13	7DH-E4243-00	8 - 7	7CN-F4610-20	11 - 2	92902-06200	4 - 9				
7DH-E1400-30	2 - 1	7CN-E4411-20	7 - 4	7CN-F4612-01	11 - 3	92902-06600	4 - 13				
7CN-E1561-00	3 - 8	7CN-E4412-20	7 - 5	7CA-F8100-01	11 - 22	92902-14200	12 - 6				
7DH-E1610-00	3 - 5	7CN-E4422-30	7 - 9	7CN-G1238-00	4 - 21	93102-25805	10 - 11				
7DH-E1610-10	3 - 5	7BN-E4445-00	7 - 15	7CN-G1239-00	4 - 25	93102-25806	10 - 3				
7DH-E1610-20	3 - 5	7CN-E4451-20	7 - 7	7CN-G1240-00	4 - 17	93104-06800	10 - 4				
7DH-E1631-10-A0	3 - 4	7CN-E4468-20	7 - 6	7CN-G1271-00	4 - 24	93210-13801	10 - 18				
7CN-E1633-00	3 - 6	7CN-E4477-00	7 - 12	7CN-H2370-10	12 - 3	93306-205XV	10 - 10				
7DH-E1635-00	3 - 4	7BN-E4583-11	7 - 14	7CP-H2372-00	12 - 8	93306-206Y4	10 - 2				
7DH-E1636-00	3 - 4	7DH-E4611-40	9 - 4	7CN-H2550-00	13 - 1	93440-06826	4 - 5				
7CN-E1650-11	3 - 2	7CN-E4613-00	9 - 8	7CN-H5640-01	12 - 2	93450-17828	3 - 7				
7CN-E1654-00	3 - 3	7DH-E4613-40	9 - 6	7DH-H5650-00	12 - 1	94702-00819	1 - 8				
7CN-E1913-00	4 - 2	7DH-E4708-40	9 - 2	90105-06864	1 - 14	95302-10700	11 - 19				
7CT-E1914-00	4 - 3	7DH-E4711-40	9 - 1		6 - 2	95702-06500	7 - 13				
7CN-E1917-00	4 - 7	7DH-E4922-00	8 - 4		6 - 4	95704-06500	13 - 2				
7CN-E1922-00	4 - 8	7DH-E495H-4A	8 - 12		11 - 6	95822-08065	1 - 5				
7CN-E1924-10	4 - 11	7CN-E4997-00	8 - 10	90105-06865	6 - 16	97022-06030	4 - 12				
7CN-E1925-00	4 - 20	7DH-E5121-01	10 - 1	90105-06866	11 - 21	98502-05025	4 - 18				
7CN-E1928-00	4 - 15	7DH-E5187-00	10 - 5	90105-06871	9 - 3	98502-05506	4 - 22				
7CN-E1970-00	4 - 1	7CN-E5362-00	10 - 17	90105-06872	12 - 4	99530-08016	10 - 7				
7CN-E1971-00	10 - 9	7BX-E536A-00	10 - 15	90105-08895	10 - 14	99530-10114	1 - 7				
7DH-E2111-00	5 - 2	7CN-E5411-50	10 - 8	90105-08899	11 - 10						
7CN-E2117-00	5 - 6	7CN-E5451-01	10 - 13	90105-088B1	1 - 6						
7CN-E2118-00	5 - 7	7DH-E5710-00	6 - 5	90122-06017	7 - 8						
7DH-E2119-01	5 - 14	7DH-E5713-00	6 - 8	90157-06810	13 - 3						
7CN-E2121-00	5 - 3	7DH-E5714-01	6 - 6	90170-06808	9 - 5						
7CN-E2151-00	5 - 8	7DH-E5715-00	6 - 10		9 - 7						