



PARTS CATALOGUE

MZ200L2U (7DHC) CHN

MZ200L2U
PARTS CATALOGUE
©2011 by Yamaha Motor Co., Ltd.
1st edition, July 2011
All rights reserved.
Any reprinting or unauthorized use
without the written permission of
Yamaha Motor Co., Ltd.
is expressly prohibited.
Printed in Japan.

FOREWORD

This Parts Catalogue is related to the parts for the model(s) on the cover page. When you are ordering replacement parts, please refer to this Parts Catalogue and quote both part numbers and part names correctly.

1. Modifications or additions which have been made after the issue of the Parts Catalogue will be announced in the Parts News.

It is advisable that you make the necessary corrections to the Parts Catalogue according to the Parts News.

2. Abbreviations

The following abbreviations are used in this Parts Catalogue.

“UR” Use specified parts number.

“UN” Use as many as needed.

“AP” Alternate Parts

“LM” Locally Made (Parts need to be ordered locally)

“F#” Frame No. (Applicable machine No.)

“O/S” Over Size

3. The number of components for assembly

- Parts, which are to be supplied in an assembly, are listed with a dot (.) in front of the part name as shown below.
- The numeral appearing to the right of each component part indicates the quantity of parts for each assembly unit.

PART NO.	DESCRIPTION	Q'TY	REMARKS
2F5-83310-60	FRONT FLASHER LIGHT ASSY	2	
115-83311-60	.BULB (6V-18W)	1	

4. Applicable colours of graphics are represented in the “REMARKS” as shown below.

PART NO.	DESCRIPTION	Q'TY	REMARKS
2N4-24110-00-X5	FUEL TANK COMP.	2	MXR
3J1-24240-10	.GRAPHIC, FUEL TANK	1	FOR MXR

5. Note that the illustrations for reference in finding parts numbers are not to be used for assembling. When assembling, please use the applicable service manual.

6. The asterisk (*) before a reference number indicates modified items after the first edition.

FOREWORD

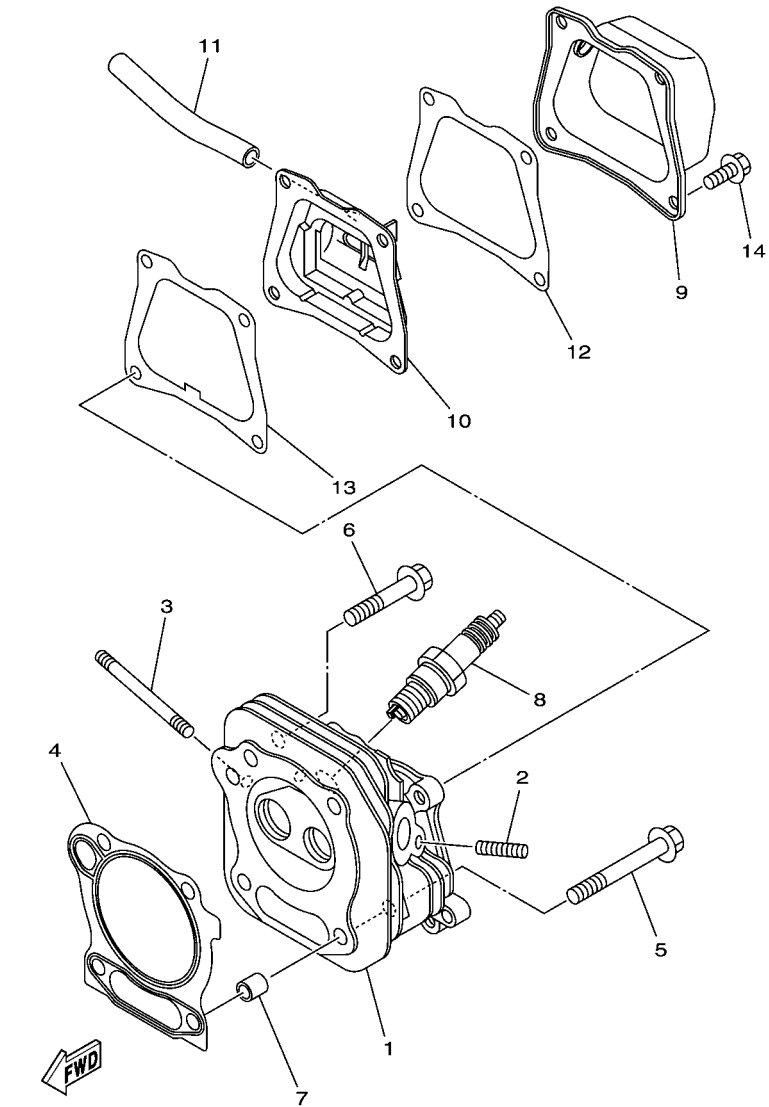
Engine Serial No.

This parts catalogue is related to the parts for the models in the list below.

MODEL CODE	MODEL NAME	SPECIFICATION (OUT LINE)	ENGINE SERIAL NO.
7DHC	MZ200L2U	P.T.O. SHAFT L TYPE, MOUNT FACE (mm) EXHAUST LESS, TANK LESS	7DHC-1000101

CONTENTS

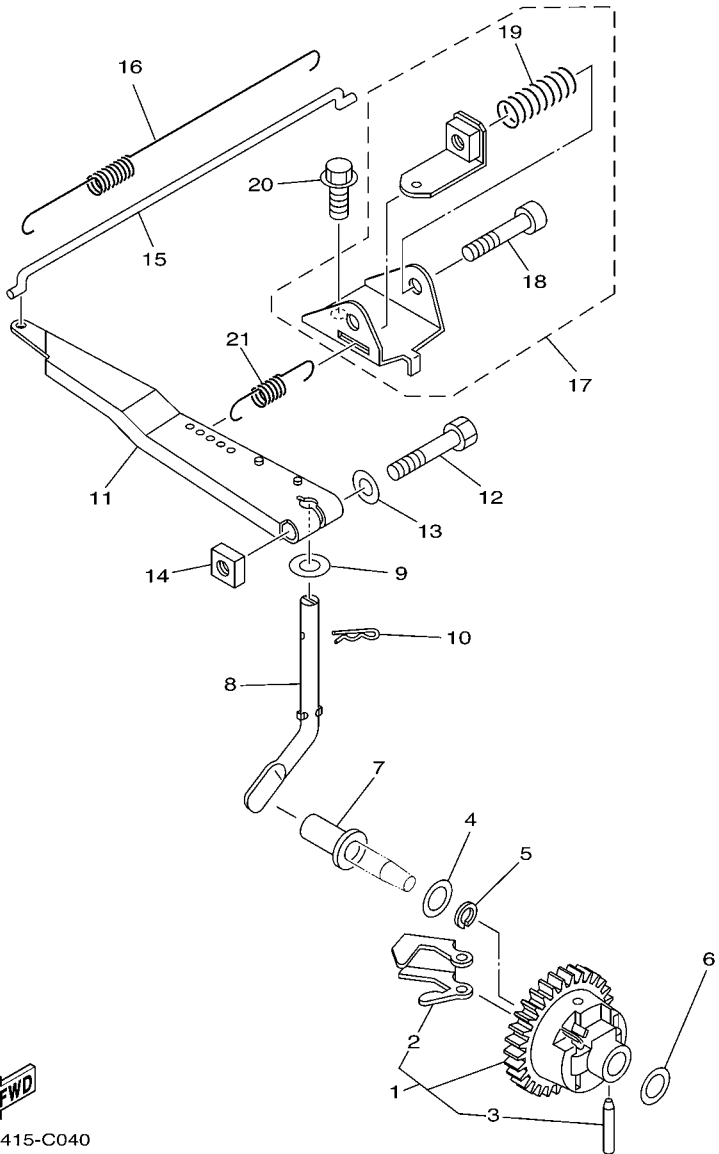
CYLINDER	1
CRANKSHAFT	2
CRANKSHAFT & PISTON	3
GOVERNOR	4
CAMSHAFT & VALVE	5
AIR SHROUD & STARTER	6
INTAKE	7
CARBURETOR	8
CRANKCASE	9
MAGNETO	10
BODY FITTING	11
EMBLEM & LABEL	12
INDEX	
NUMERICAL INDEX	13



7DHJ400-K010

FIG. 1 CYLINDER

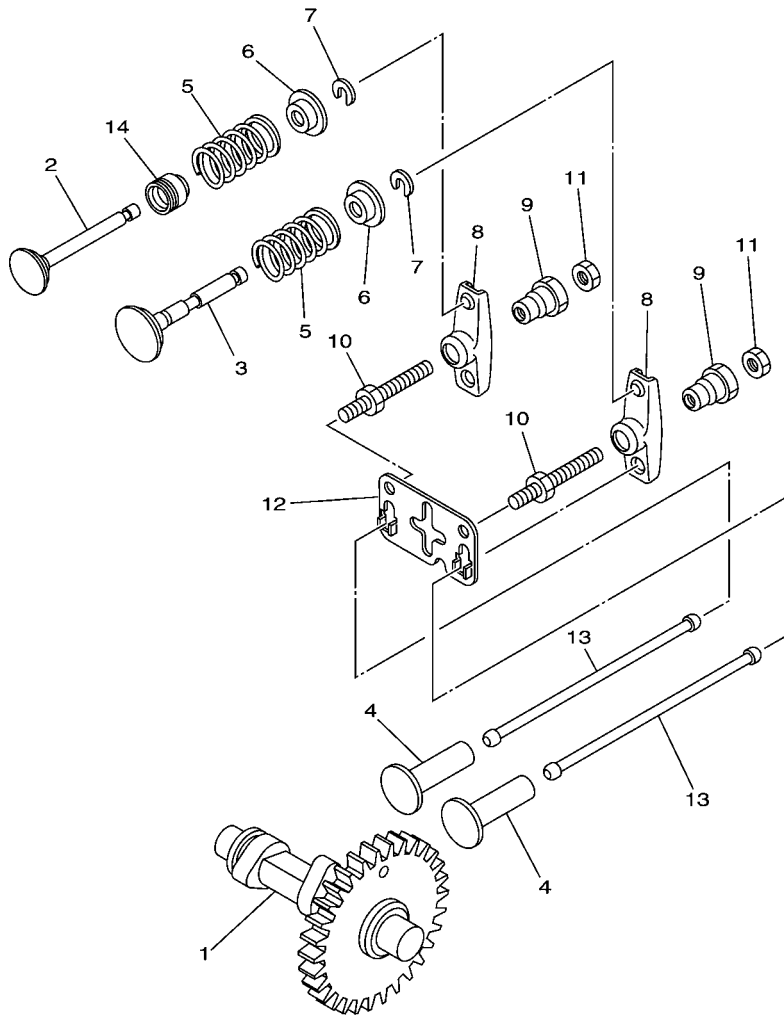
REF. NO.	PART NO.	DESCRIPTION	7DHC				REMARKS
1	7DH-E1121-01	HEAD, CYLINDER 2	1				
2	95602-06615	BOLT, STUD	2				
3	7CN-E1179-00	BOLT, STUD	2				
4	7DH-E1181-01	GASKET, CYLINDER HEAD 1	1				
5	95822-08065	BOLT, FLANGE	2				
6	95822-08045	BOLT, FLANGE	2				
7	99530-10114	PIN, DOWEL	2				
8	94702-00819	PLUG, SPARK (NGK BPR4ES)	1				
9	7CN-E1191-00	COVER, CYLINDER HEAD 1	1				
10	7CN-E1160-00	BREATHER ASSY	1				
11	90445-13800	HOSE	1				
12	7CN-E1169-01	GASKET, BREATHER COVER	1				
13	7CN-E1193-00	GASKET, HEAD COVER 1	1				
14	95822-06012	BOLT, FLANGE	4				




7CNC415-C040

FIG. 4 GOVERNOR

REF. NO.	PART NO.	DESCRIPTION	7DHC				REMARKS
1	7CN-E1970-00	FLYWEIGHT SHAFT ASSY.	1				
2	7CN-E1913-00	.WEIGHT	2				
3	7CT-E1914-00	.SHAFT, WEIGHT	2				
4	90201-06842	WASHER, PLATE	1				
5	93440-06826	CIRCLIP	1				
6	90201-06842	WASHER, PLATE	1				
7	7CN-E1917-00	COLLAR	1				
8	7CN-E1922-00	FORK, GOVERNOR	1				
9	92902-06200	WASHER	1				
10	90468-18800	CLIP	1				
11	7CN-E1924-00	ARM, GOVERNOR	1				
12	97022-06030	BOLT	1				
13	92902-06600	WASHER, PLATE	1				
14	90173-06802	NUT, SQUARE	1				
15	7CN-E1928-00	ROD, LINK	1				
16	90506-04800	SPRING, TENSION	1				
17	7CN-E1950-00	ADJUST PLATE COMP.	1				
18	98502-06035	.SCREW, PAN HEAD	1				
19	90501-10812	.SPRING, COMPRESSION	1				
20	95822-06016	BOLT, FLANGE	1				
21	90506-08801	SPRING, TENSION	1				




 7DHJ400-K050

FIG. 5 CAMSHAFT & VALVE

REF. NO.	PART NO.	DESCRIPTION	7DHC				REMARKS
1	7CN-E2170-00	CAMSHAFT ASSY 1	1				
2	7DH-E2111-00	VALVE, INTAKE	1				
3	7CN-E2121-00	VALVE, EXHAUST	1				
4	7CN-E2153-00	LIFTER, VALVE	2				
5	90501-20800	SPRING, COMPRESSION	2				
6	7CN-E2117-00	RETAINER, VALVE SPRING	2				
7	7CN-E2118-00	COTTER, VALVE	2				
8	7CN-E2151-00	ARM, VALVE ROCKER	2				
9	7CN-E2165-00	PIVOT, ROCKER ARM	2				
10	7CN-E2157-01	BOLT	2				
11	7CN-E2158-01	NUT, LOCK	2				
12	7CN-E2155-01	GUIDE, PUSH ROD	1				
13	7CN-E2154-00	ROD, VALVE PUSH	2				
14	7DH-E2119-01	SEAL, VALVE STEM	1				

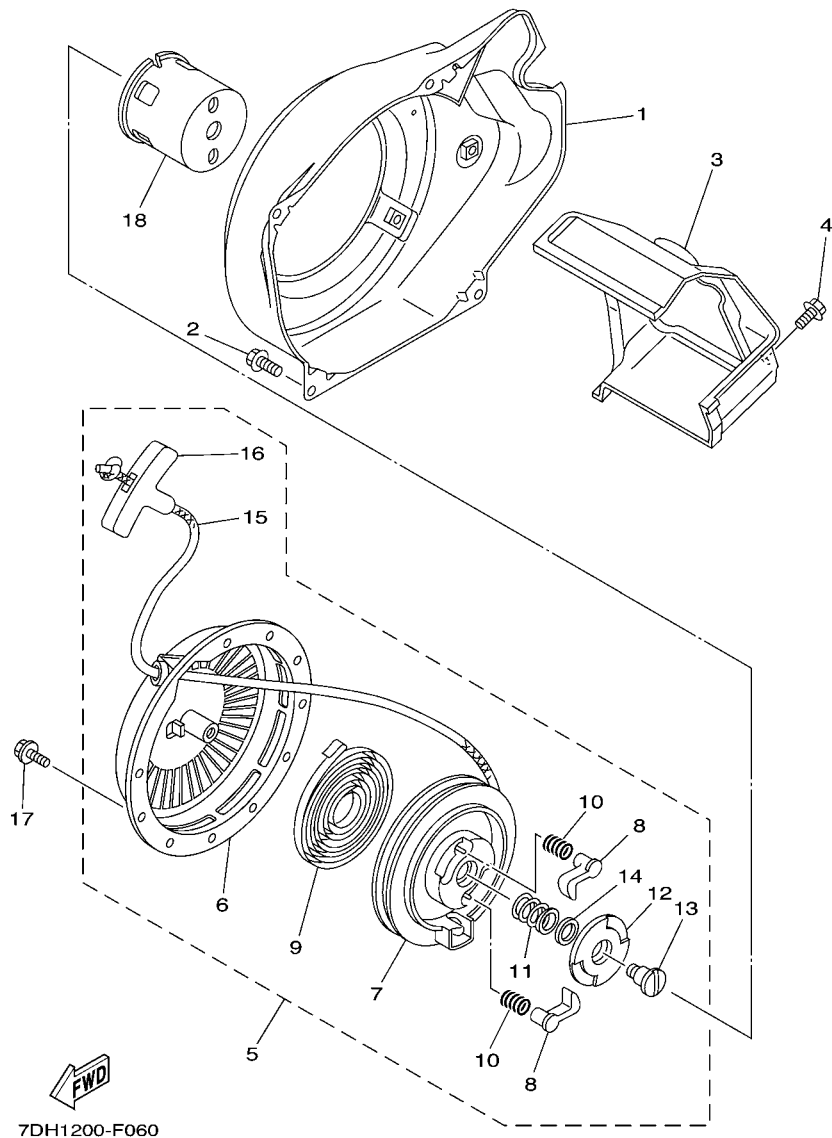


FIG. 6 AIR SHROUD & STARTER

REF. NO.	PART NO.	DESCRIPTION	7DHC				REMARKS
1	7CN-E2621-30	CASE, FAN	1				
2	95802-06012	BOLT, FLANGE	4				
3	7CN-E2651-01	AIR SHROUD, CYLINDER 1	1				
4	95822-06012	BOLT, FLANGE	1				
5	7DH-E5710-00	STARTER ASSY	1				
6	7CP-E5711-00	.CASE, STARTER	1				
7	7DH-E5714-00	.DRUM, SHEAVE	1				
8	7DH-E5741-00	.PAWL, DRIVE	2				
9	7DH-E5713-00	.SPRING, STARTER	1				
10	7DH-E5743-00	.SPRING, RETURN	2				
11	7DH-E5715-00	.SPRING, FRICTION	1				
12	7DH-E5716-00	.PLATE, DRIVE	1				
13	7DH-E5793-00	.SCREW	1				
14	7DH-E5719-00	.WASHER, THRUST	1				
15	7DH-E5751-00	.WIRE, STARTER	1				
16	7DH-E5755-00	.HANDLE, STARTER	1				
17	95802-06016	BOLT, FLANGE	3				
18	7DH-E5723-00	PULLEY, STARTER	1				

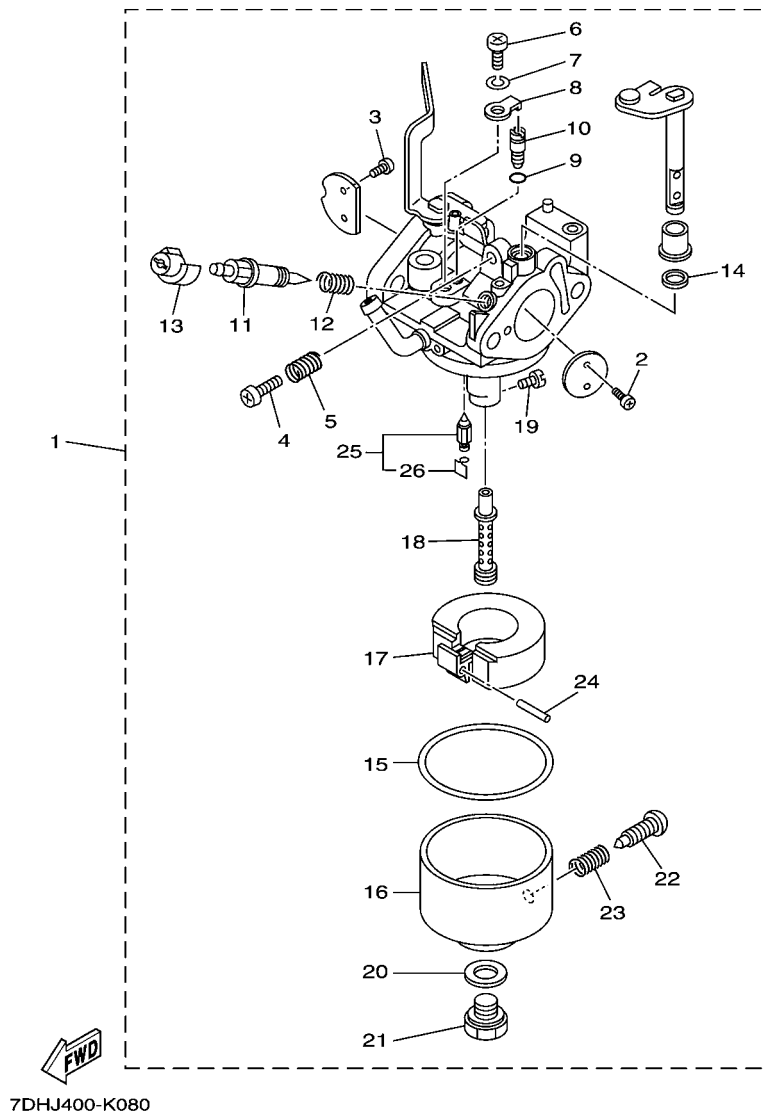


FIG. 8 CARBURETOR

REF. NO.	PART NO.	DESCRIPTION	7DHC				REMARKS
1	7DH-E4101-10	CARBURETOR ASSY 1	1				
2	7RH-14216-00	.SCREW	2				
3	7RH-14486-00	.SCREW, ROD	2				
4	1WG-14922-00	.SCREW, THROTTLE	1				
5	73A-14212-00	.SPRING	1				
6	98507-05008	.SCREW, PAN HEAD	1				
7	92990-05100	.WASHER, SPRING	1				
8	7CU-E4527-00	.PLATE	1				
9	2H0-14147-00	.O-RING	1				
10	7CU-E4142-37-A0	.JET, PILOT (#37.5)	1				
11	7CU-E4211-00	.SCREW, PILOT ADJUSTING	1				
12	73A-14212-10	.SPRING	1				
13	7CP-E4118-00	.CAP	1				
14	6K8-14597-10	.WASHER	1				
15	7G0-14184-00	.GASKET, FLOAT CHAMBER	1				
16	7EG-14181-00	.BODY, FLOAT CHAMBER 1	1				
17	7EG-14185-00	.FLOAT	1				
18	7DH-E495H-4C	.NOZZLE, MAIN	1				
19	1HX-14231-17-A0	.JET, MAIN (# 85)	1				
20	7G0-14227-00	.WASHER	1				
21	7CN-E4162-00	.BOLT, HOLDING	1				
22	7E1-14191-00	.PLUG, DRAIN	1				
23	73A-14212-00	.SPRING	1				
24	7CN-E4186-00	.PIN, FLOAT	1				
25	7LG-14150-11	.NEEDLE ASSY	1				
26	7EG-14159-00	.CLIP	1				

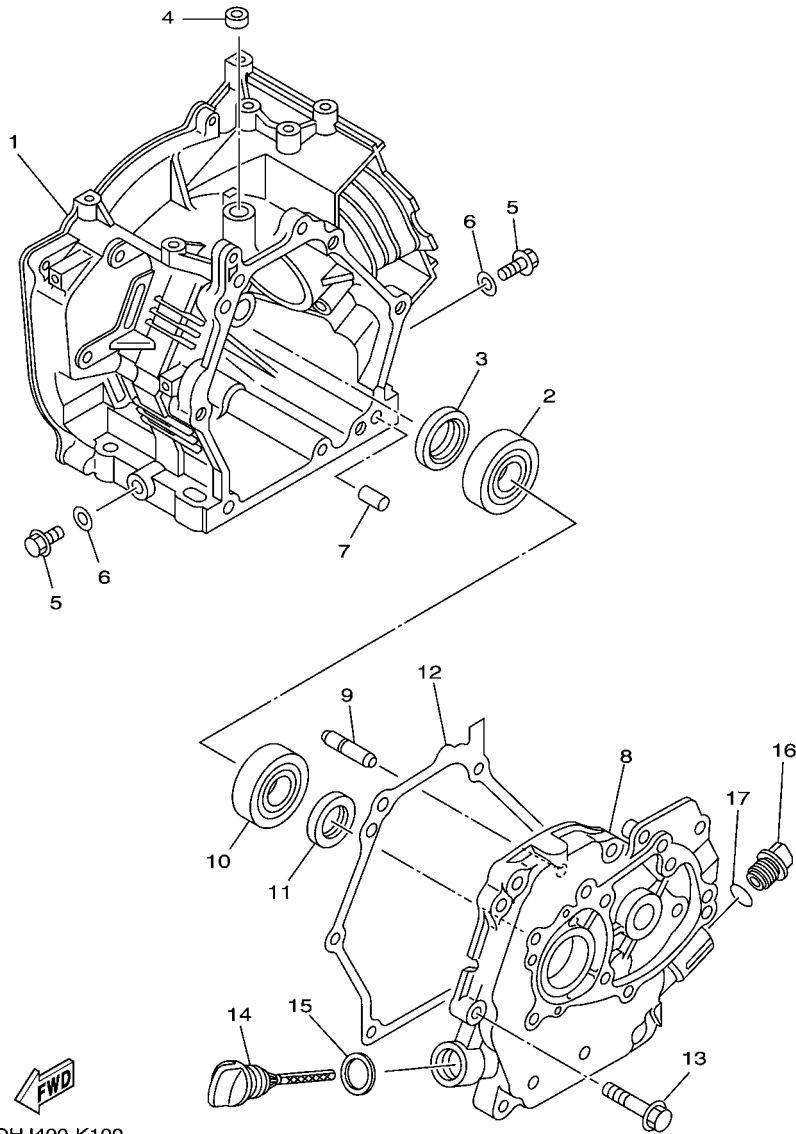
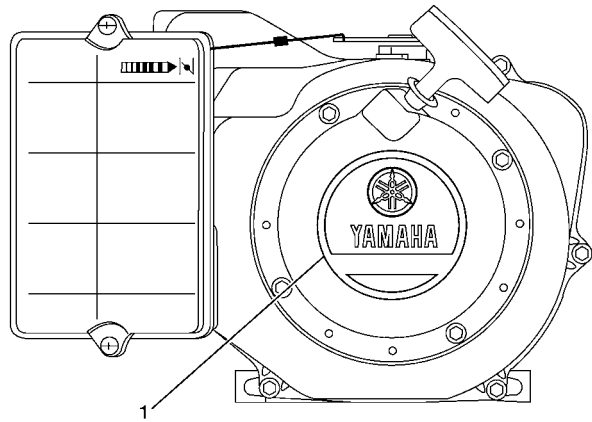


FIG. 9 CRANKCASE

REF. NO.	PART NO.	DESCRIPTION	7DHC				REMARKS
1	7DH-E5121-01	CRANKCASE 2	1				
2	93306-206Y4	BEARING	1				
3	93102-25806	OIL SEAL	1				
4	93104-06800	OIL SEAL	1				
5	95022-10016	BOLT, FLANGE	2				
6	90430-10801	GASKET	2				
7	99530-08016	PIN, DOWEL	2				
8	7CN-E5411-20	COVER, CRANKCASE 1	1				
9	7CN-E1971-00	SHAFT, FLYWEIGHT	1				
10	93306-205XV	BEARING	1				
11	93102-25805	OIL SEAL	1				
12	7CN-E5451-01	GASKET, CRANKCASE COVER 1	1				
13	95822-08035	BOLT, FLANGE	6				
14	7CN-E5362-10	PLUG, OIL LEVEL	1				
15	90430-17801	GASKET	1				
16	7CN-E5362-00	PLUG, OIL LEVEL	1				
17	93210-13801	O-RING	1				



7CUN110-K130

FIG. 12 EMBLEM & LABEL

REF. NO.	PART NO.	DESCRIPTION	7DHC				REMARKS
1	7DH-E2629-00	EMBLEM (MZ200)	1				

NUMERICAL INDEX

PART NO.	REF. NO.	PART NO.	REF. NO.	PART NO.	REF. NO.	PART NO.	REF. NO.	PART NO.	REF. NO.	PART NO.	REF. NO.
2H0-14147-00	8 - 9	7CN-E2151-00	5 - 8	7CN-H5640-00	10 - 2	95822-08045	1 - 6				
7LG-14150-11	8 - 25	7CN-E2153-00	5 - 4	7CN-H5650-00	10 - 1	95822-08065	1 - 5				
7EG-14159-00	8 - 26	7CN-E2154-00	5 - 13	7CN-H5690-00	11 - 4	97022-06030	4 - 12				
7EG-14181-00	8 - 16	7CN-E2155-01	5 - 12	7CN-H5720-00	10 - 8	98502-06020	11 - 6				
7G0-14184-00	8 - 15	7CN-E2157-01	5 - 10	7CN-H5724-00	10 - 10	98502-06035	4 - 18				
7EG-14185-00	8 - 17	7CN-E2158-01	5 - 11	7CA-H5770-01	11 - 5	98507-05008	8 - 6				
7E1-14191-00	8 - 22	7CN-E2165-00	5 - 9	90154-06823	7 - 8	99530-08016	9 - 7				
73A-14212-00	8 - 5	7CN-E2170-00	5 - 1	90170-14800	10 - 4	99530-10114	1 - 7				
	8 - 23	7CN-E2621-30	6 - 1	90173-06802	4 - 14						
73A-14212-10	8 - 12	7DH-E2629-00	12 - 1	90201-06842	4 - 4						
7RH-14216-00	8 - 2	7CN-E2651-01	6 - 3		4 - 6						
7G0-14227-00	8 - 20	7CN-E3557-12	7 - 2	90280-04801	10 - 6						
1HX-14231-17-A0	8 - 19	7CN-E3567-12	7 - 3	90430-10801	9 - 6						
7RH-14486-00	8 - 3	7CN-E3596-10	7 - 1	90430-17801	9 - 15						
6K8-14597-10	8 - 14	7DH-E4101-10	8 - 1	90445-13800	1 - 11						
1WG-14922-00	8 - 4	7CP-E4118-00	8 - 13	90464-07803	11 - 8						
7DH-E1121-01	1 - 1	7CU-E4142-37-A0	8 - 10	90468-18800	4 - 10						
7CN-E1160-00	1 - 10	7CN-E4162-00	8 - 21	90501-10812	4 - 19						
7CN-E1169-01	1 - 12	7CN-E4186-00	8 - 24	90501-20800	5 - 5						
7CN-E1179-00	1 - 3	7CU-E4211-00	8 - 11	90506-04800	4 - 16						
7DH-E1181-01	1 - 4	7CN-E4411-40	7 - 4	90506-08801	4 - 21						
7CN-E1191-00	1 - 9	7CN-E4412-00	7 - 5	92902-06200	4 - 9						
7CN-E1193-00	1 - 13	7CN-E4451-00	7 - 7	92902-06600	4 - 13						
7DH-E1400-40	2 - 1	7CN-E4468-01	7 - 6	92902-14200	10 - 5						
7CN-E1561-00	3 - 7	7CN-E4477-20	7 - 9	92990-05100	8 - 7						
7DH-E1610-00	3 - 4	7CU-E4527-00	8 - 8	93102-25805	9 - 11						
7DH-E1610-10	3 - 4	7CN-E4613-00	11 - 3	93102-25806	9 - 3						
7DH-E1610-20	3 - 4	7DH-E495H-4C	8 - 18	93104-06800	9 - 4						
7DH-E1631-10-A0	3 - 3	7DH-E5121-01	9 - 1	93210-13801	9 - 17						
7CN-E1633-00	3 - 5	7CN-E5362-00	9 - 16	93306-205XV	9 - 10						
7DH-E1635-00	3 - 3	7CN-E5362-10	9 - 14	93306-206Y4	9 - 2						
7DH-E1636-00	3 - 3	7CN-E5411-20	9 - 8	93440-06826	4 - 5						
7CN-E1650-11	3 - 1	7CN-E5451-01	9 - 12	93450-17828	3 - 6						
7CN-E1654-00	3 - 2	7DH-E5710-00	6 - 5	94702-00819	1 - 8						
7CN-E1913-00	4 - 2	7CP-E5711-00	6 - 6	95022-10016	9 - 5						
7CT-E1914-00	4 - 3	7DH-E5713-00	6 - 9	95302-06600	11 - 2						
7CN-E1917-00	4 - 7	7DH-E5714-00	6 - 7	95602-06615	1 - 2						
7CN-E1922-00	4 - 8	7DH-E5715-00	6 - 11	95702-06500	7 - 10						
7CN-E1924-00	4 - 11	7DH-E5716-00	6 - 12	95704-06500	11 - 7						
7CN-E1928-00	4 - 15	7DH-E5719-00	6 - 14	95802-06012	6 - 2						
7CN-E1950-00	4 - 17	7DH-E5723-00	6 - 18	95802-06016	6 - 17						
7CN-E1970-00	4 - 1	7DH-E5741-00	6 - 8		7 - 11						
7CN-E1971-00	9 - 9	7DH-E5743-00	6 - 10	95822-06012	1 - 14						
7DH-E2111-00	5 - 2	7DH-E5751-00	6 - 15		6 - 4						
7CN-E2117-00	5 - 6	7DH-E5755-00	6 - 16		10 - 9						
7CN-E2118-00	5 - 7	7DH-E5793-00	6 - 13	95822-06016	4 - 20						
7DH-E2119-01	5 - 14	7CA-F8100-01	11 - 1	95822-06020	10 - 3						
7CN-E2121-00	5 - 3	7CN-H2370-00	10 - 7	95822-08035	9 - 13						