

PARTS CATALOGUE

MZ200B2B (7DH2) SEA



1K7DH-400EA

()

MZ200B2B
PARTS CATALOGUE
©2011 by Yamaha Motor Co., Ltd.
1st edition, April 2011
All rights reserved.
Any reprinting or unauthorized use
without the written permission of
Yamaha Motor Co., Ltd.
is expressly prohibited.
Printed in Japan.

FOREWORD

This Parts Catalogue is related to the parts for the model(s) on the cover page. When you are ordering replacement parts, please refer to this Parts Catalogue and quote both part numbers and part names correctly.

1. Modifications or additions which have been made after the issue of the Parts Catalogue will be announced in the Parts News.

It is advisable that you make the necessary corrections to the Parts Catalogue according to the Parts News.

2. Abbreviations

The following abbreviations are used in this Parts Catalogue.

“UR” Use specified parts number.

“UN” Use as many as needed.

“AP” Alternate Parts

“LM” Locally Made (Parts need to be ordered locally)

“F#” Frame No. (Applicable machine No.)

“O/S” Over Size

3. The number of components for assembly

- Parts, which are to be supplied in an assembly, are listed with a dot (.) in front of the part name as shown below.
- The numeral appearing to the right of each component part indicates the quantity of parts for each assembly unit.

PART NO.	DESCRIPTION	Q'TY	REMARKS
2F5-83310-60	FRONT FLASHER LIGHT ASSY	2	
115-83311-60	.BULB (6V-18W)	1	

4. Applicable colours of graphics are represented in the “REMARKS” as shown below.

PART NO.	DESCRIPTION	Q'TY	REMARKS
2N4-24110-00-X5	FUEL TANK COMP.	2	MXR
3J1-24240-10	.GRAPHIC, FUEL TANK	1	FOR MXR

5. Note that the illustrations for reference in finding parts numbers are not to be used for assembling. When assembling, please use the applicable service manual.

6. The asterisk (*) before a reference number indicates modified items after the first edition.

FOREWORD

Engine Serial No.

This parts catalogue is related to the parts for the models in the list below.

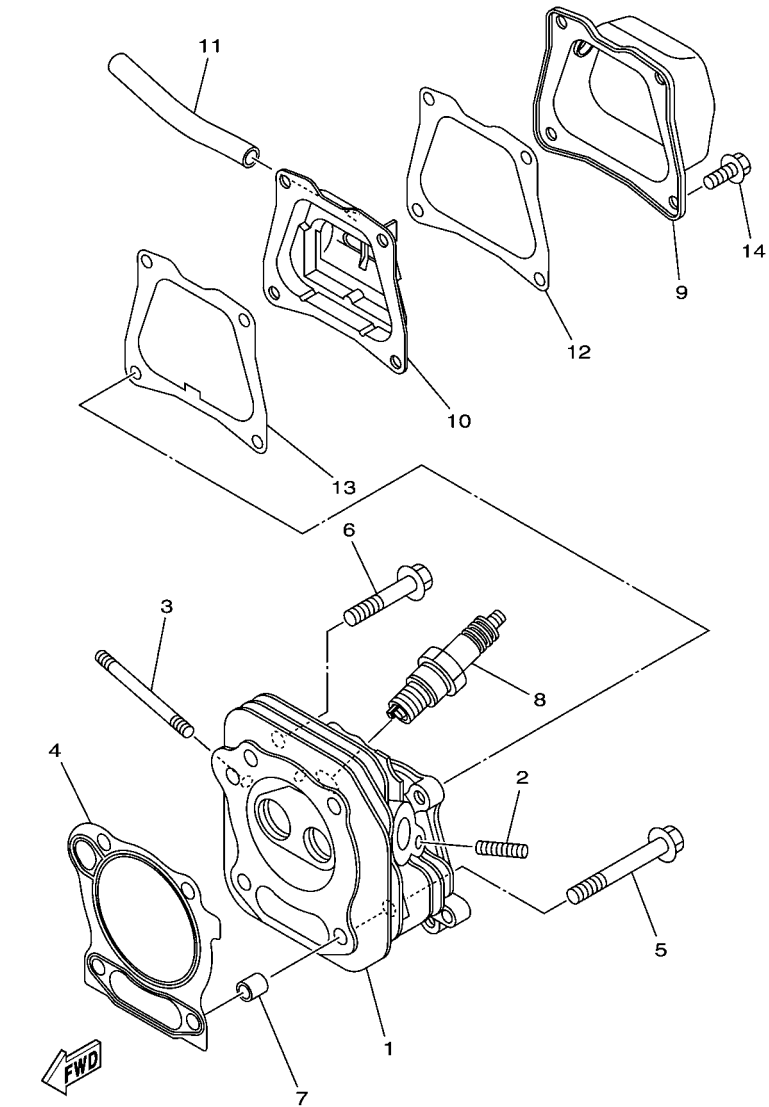
MODEL CODE	MODEL NAME	SPECIFICATION (OUT LINE)	ENGINE SERIAL NO.
7DH2	MZ200B2B	P.T.O. SHAFT B TYPE, MOUNT FACE (mm) WITH OIL WARNING	7DH2-2000101

CONTENTS

CYLINDER	1
CRANKSHAFT	2
CRANKSHAFT & PISTON	3
GOVERNOR	4
CAMSHAFT & VALVE	5
AIR SHROUD & STARTER	6
INTAKE	7
CARBURETOR	8
EXHAUST	9
CRANKCASE	10
FUEL TANK	11
TCI MAGNETO	12
ELECTRICAL 1	13
EMBLEM & LABEL	14

INDEX

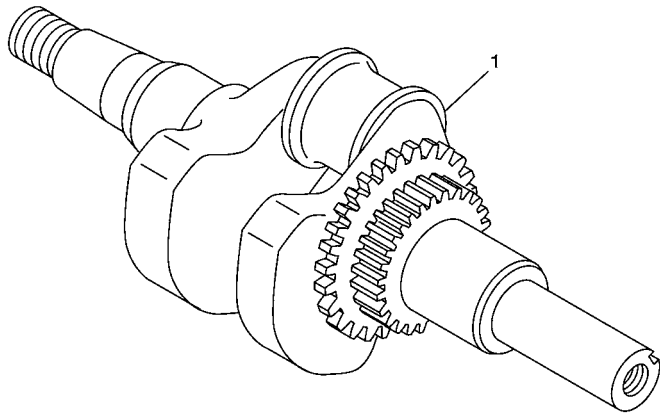
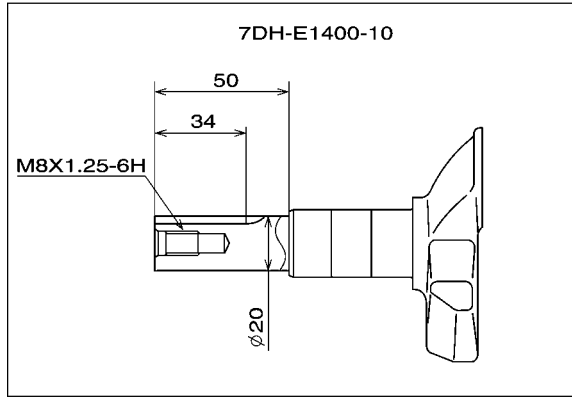
NUMERICAL INDEX	15
-----------------------	----



7DHJ400-K010

FIG. 1 CYLINDER

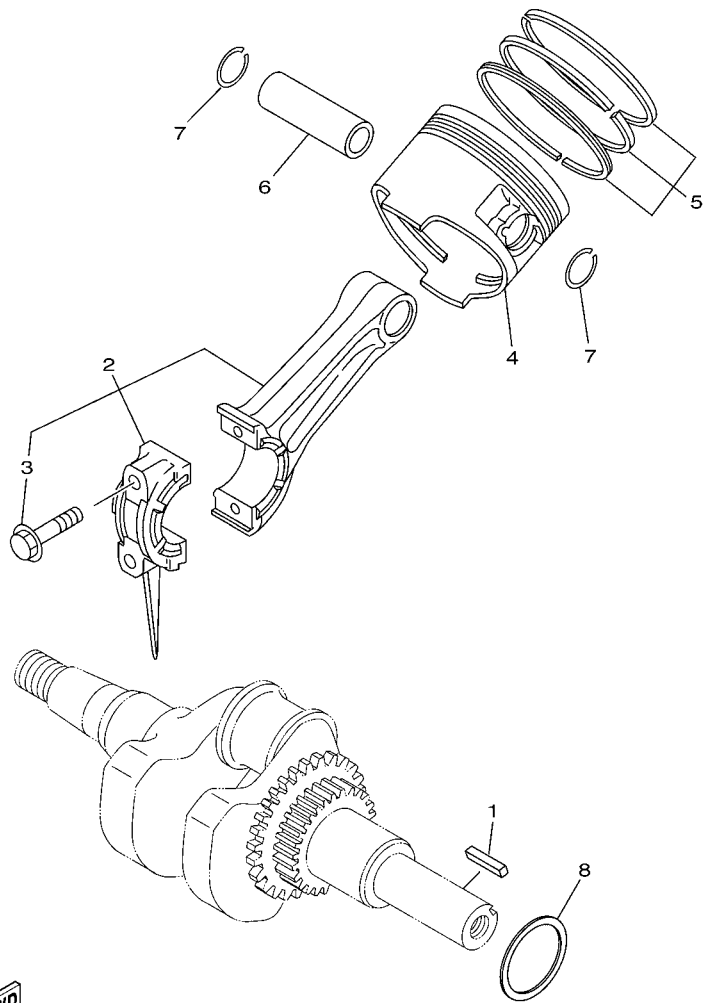
REF. NO.	PART NO.	DESCRIPTION	7DH2				REMARKS
1	7DH-E1121-01	HEAD, CYLINDER 2	1				
2	95602-06615	BOLT, STUD	2				
3	7CN-E1179-00	BOLT, STUD	2				
4	7DH-E1181-01	GASKET, CYLINDER HEAD 1	1				
5	95822-08065	BOLT, FLANGE	2				
6	95822-08045	BOLT, FLANGE	2				
7	99530-10114	PIN, DOWEL	2				
8	94702-00819	PLUG, SPARK (NGK BPR4ES)	1				
9	7CN-E1191-00	COVER, CYLINDER HEAD 1	1				
10	7CN-E1160-00	BREATHER ASSY	1				
11	90445-13800	HOSE	1				
12	7CN-E1169-01	GASKET, BREATHER COVER	1				
13	7CN-E1193-00	GASKET, HEAD COVER 1	1				
14	95822-06012	BOLT, FLANGE	4				




7DH1200-F021

FIG. 2 CRANKSHAFT

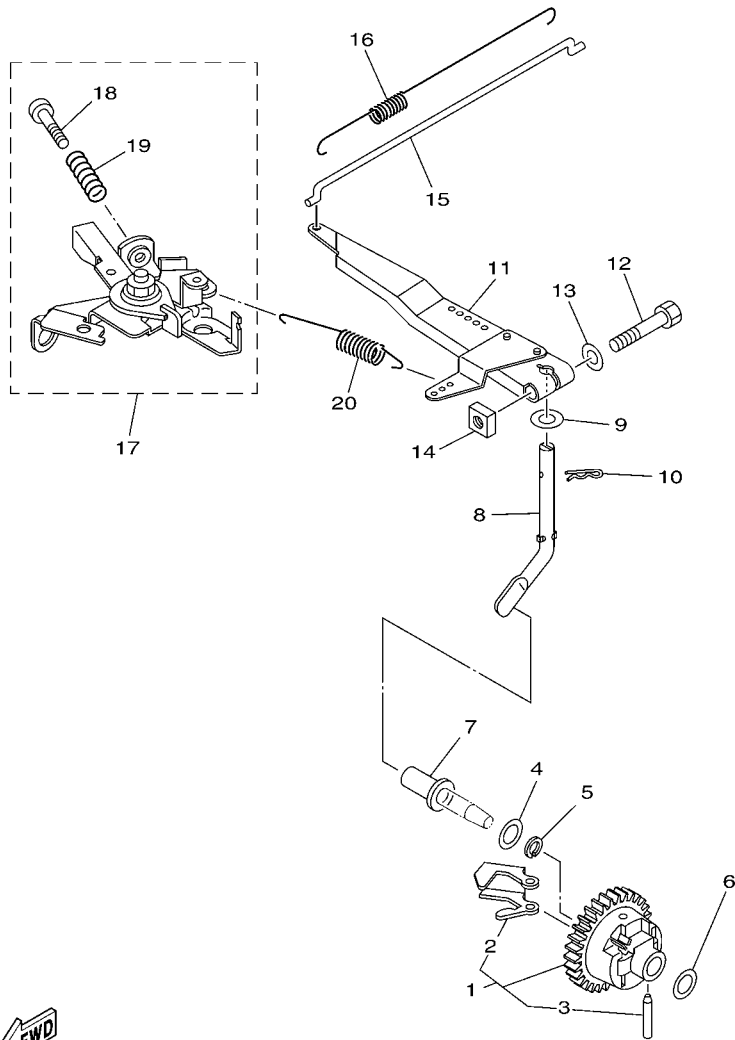
REF. NO.	PART NO.	DESCRIPTION	7DH2				REMARKS
1	7DH-E1400-10	CRANKSHAFT ASSY	1				



7CN1200-C030

FIG. 3 CRANKSHAFT & PISTON

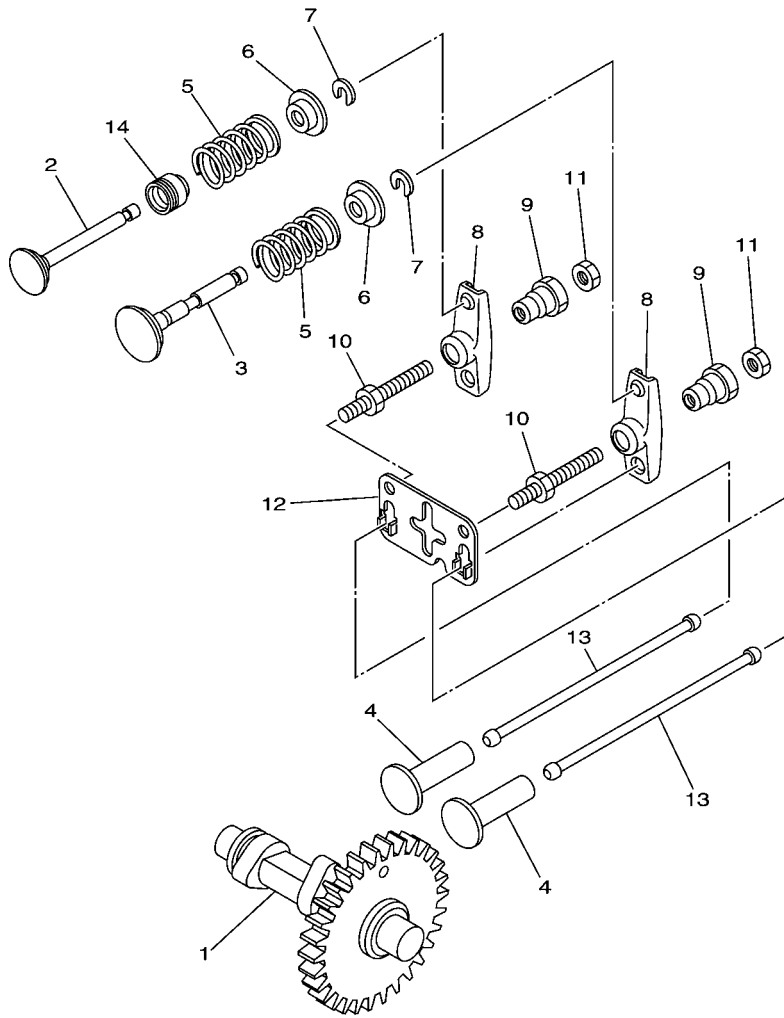
REF. NO.	PART NO.	DESCRIPTION	7DH2				REMARKS
1	7CN-E7441-00	KEY, FLAT	1				
2	7CN-E1650-11	CONNECTING ROD ASSY	1				
3	7CN-E1654-00	.BOLT, CONNECTING ROD	2				
4	7DH-E1631-10-A0	PISTON (STD)	1				
	7DH-E1635-00	PISTON (0.25MM O/S)	1				AP
	7DH-E1636-00	PISTON (0.50MM O/S)	1				AP
5	7DH-E1610-00	PISTON RING SET (STD)	1				
	7DH-E1610-10	PISTON RING SET (0.25MM O/S)	1				AP
	7DH-E1610-20	PISTON RING SET (0.50MM O/S)	1				AP
6	7CN-E1633-00	PIN, PISTON	1				
7	93450-17828	CIRCLIP	2				
8	7CN-E1561-00	SHIM, CRANK 1 (T=0.1)	1				UN



7CNF415-D040

FIG. 4 GOVERNOR

REF. NO.	PART NO.	DESCRIPTION	7DH2				REMARKS
1	7CN-E1970-00	FLYWEIGHT SHAFT ASSY.	1				
2	7CN-E1913-00	.WEIGHT	2				
3	7CN-E1914-00	.SHAFT, WEIGHT	2				
4	90201-06842	WASHER, PLATE	1				
5	93440-06826	CIRCLIP	1				
6	90201-06842	WASHER, PLATE	1				
7	7CN-E1917-00	COLLAR	1				
8	7CN-E1922-00	FORK, GOVERNOR	1				
9	92902-06200	WASHER	1				
10	90468-18800	CLIP	1				
11	7CN-E1924-10	ARM, GOVERNOR	1				
12	97022-06030	BOLT	1				
13	92902-06600	WASHER, PLATE	1				
14	90173-06802	NUT, SQUARE	1				
15	7CN-E1928-00	ROD, LINK	1				
16	90506-04800	SPRING, TENSION	1				
17	7CN-G1240-00	THROTTLE LEVER COMP.	1				
18	98502-05025	.SCREW, PAN HEAD	1				
19	90501-090A8	.SPRING, COMPRESSION	1				
20	7CN-E1925-00	SPRING, GOVERNOR	1				




 7DHJ400-K050

FIG. 5 CAMSHAFT & VALVE

REF. NO.	PART NO.	DESCRIPTION	7DH2				REMARKS
1	7CN-E2170-00	CAMSHAFT ASSY 1	1				
2	7DH-E2111-00	VALVE, INTAKE	1				
3	7CN-E2121-00	VALVE, EXHAUST	1				
4	7CN-E2153-00	LIFTER, VALVE	2				
5	90501-20800	SPRING, COMPRESSION	2				
6	7CN-E2117-00	RETAINER, VALVE SPRING	2				
7	7CN-E2118-00	COTTER, VALVE	2				
8	7CN-E2151-00	ARM, VALVE ROCKER	2				
9	7CN-E2165-00	PIVOT, ROCKER ARM	2				
10	7CN-E2157-01	BOLT	2				
11	7CN-E2158-01	NUT, LOCK	2				
12	7CN-E2155-01	GUIDE, PUSH ROD	1				
13	7CN-E2154-00	ROD, VALVE PUSH	2				
14	7DH-E2119-01	SEAL, VALVE STEM	1				

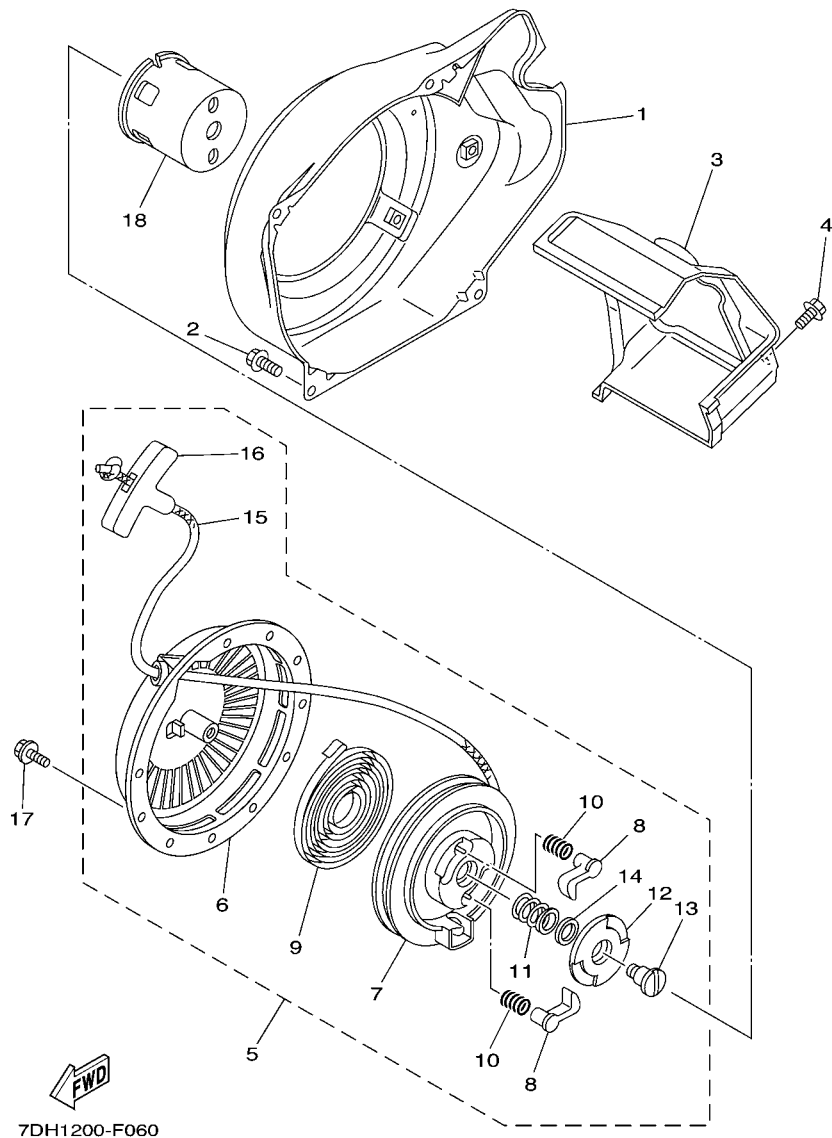
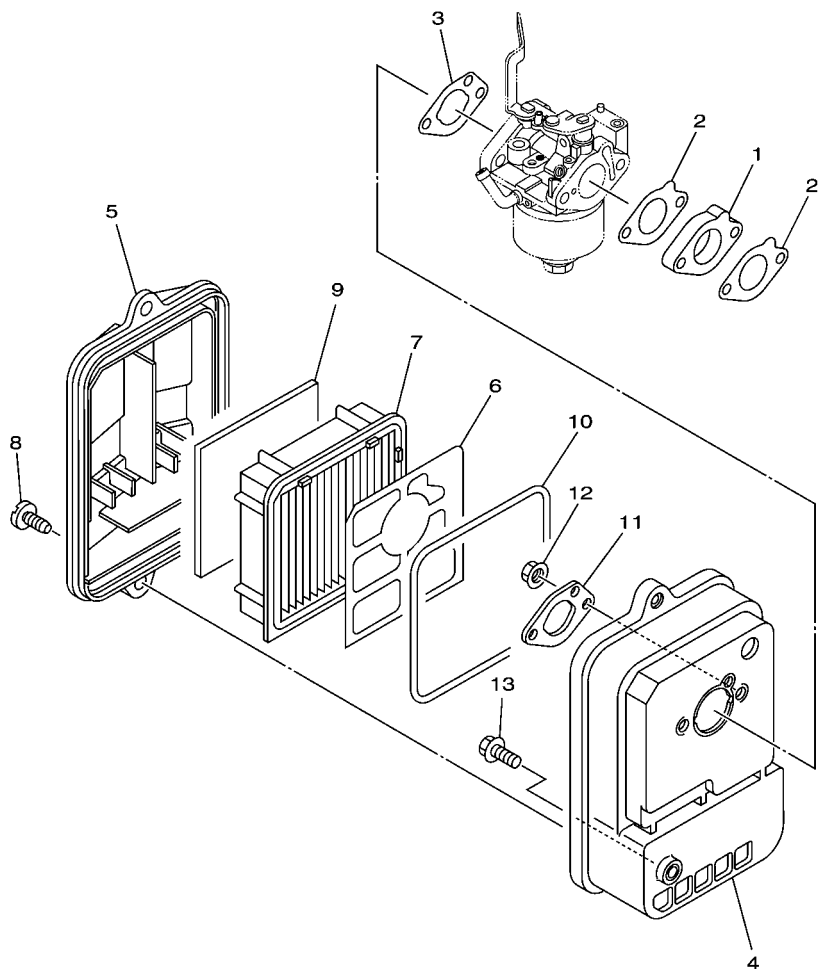


FIG. 6 AIR SHROUD & STARTER

REF. NO.	PART NO.	DESCRIPTION	7DH2				REMARKS
1	7CN-E2621-30	CASE, FAN	1				
2	95802-06012	BOLT, FLANGE	4				
3	7CN-E2651-01	AIR SHROUD, CYLINDER 1	1				
4	95822-06012	BOLT, FLANGE	1				
5	7DH-E5710-00	STARTER ASSY	1				
6	7CP-E5711-00	.CASE, STARTER	1				
7	7DH-E5714-00	.DRUM, SHEAVE	1				
8	7DH-E5741-00	.PAWL, DRIVE	2				
9	7DH-E5713-00	.SPRING, STARTER	1				
10	7DH-E5743-00	.SPRING, RETURN	2				
11	7DH-E5715-00	.SPRING, FRICTION	1				
12	7DH-E5716-00	.PLATE, DRIVE	1				
13	7DH-E5793-00	.SCREW	1				
14	7DH-E5719-00	.WASHER, THRUST	1				
15	7DH-E5751-00	.WIRE, STARTER	1				
16	7DH-E5755-00	.HANDLE, STARTER	1				
17	95802-06016	BOLT, FLANGE	3				
18	7DH-E5723-00	PULLEY, STARTER	1				



FWD
7DHJ400-K070

FIG. 7 INTAKE

REF. NO.	PART NO.	DESCRIPTION	7DH2				REMARKS
1	7CN-E3596-10	JOINT, CARBURETOR 2	1				
2	7CN-E3557-12	GASKET	2				
3	7CN-E3567-12	GASKET	1				
4	7CN-E4411-40	CASE, AIR CLEANER 1	1				
5	7CN-E4412-00	CAP, CLEANER CASE 1	1				
6	7CN-E4468-01	PLATE,ELEMENT FITTING	1				
7	7CN-E4451-10	ELEMENT, AIR CLEANER	1				
8	90154-06823	SCREW, BINDING	2				
9	7CN-E4461-10	ELEMENT, AIR CLEANER 2	1				
10	7CN-E4462-10	SEAL	1				
11	7CN-E4477-20	PLATE	1				
12	95702-06500	NUT, FLANGE	2				
13	95802-06016	BOLT, FLANGE	1				

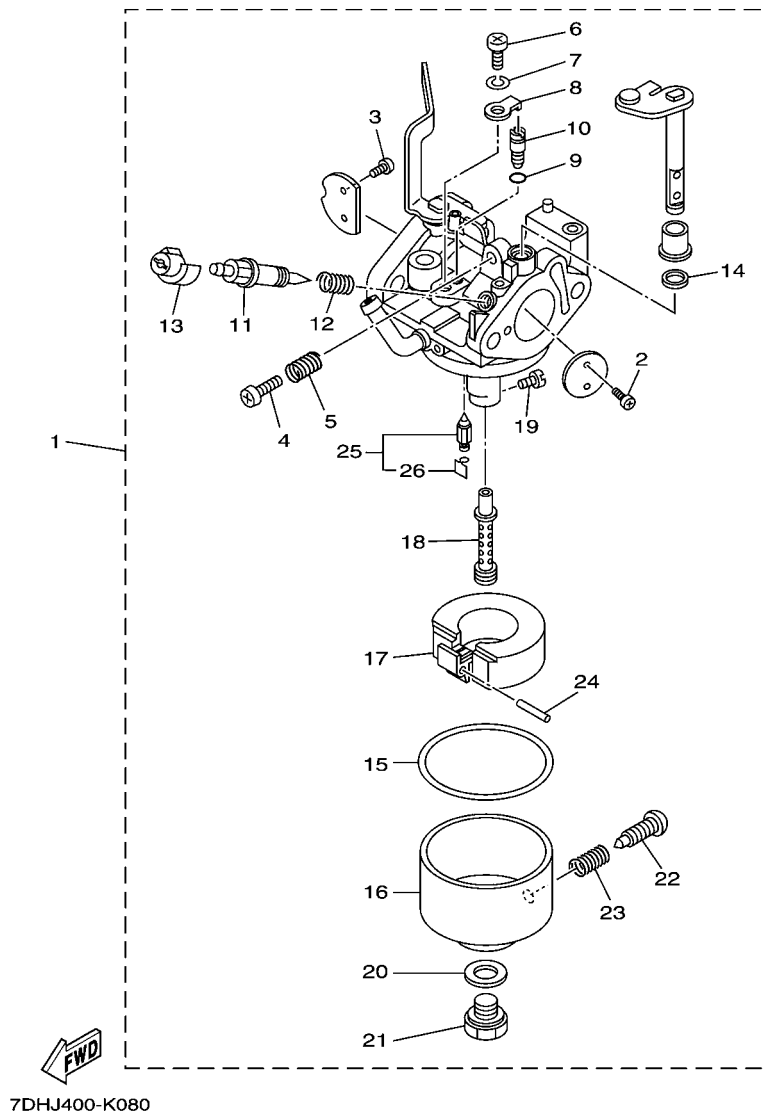


FIG. 8 CARBURETOR

REF. NO.	PART NO.	DESCRIPTION	7DH2				REMARKS
1	7DH-E4101-10	CARBURETOR ASSY 1	1				
2	7RH-14216-00	.SCREW	2				
3	7RH-14486-00	.SCREW, ROD	2				
4	1WG-14922-00	.SCREW, THROTTLE	1				
5	73A-14212-00	.SPRING	1				
6	98507-05008	.SCREW, PAN HEAD	1				
7	92990-05100	.WASHER, SPRING	1				
8	7CU-E4527-00	.PLATE	1				
9	2H0-14147-00	.O-RING	1				
10	7CU-E4142-37-A0	.JET, PILOT (#37.5)	1				
11	7CU-E4211-00	.SCREW, PILOT ADJUSTING	1				
12	73A-14212-10	.SPRING	1				
13	7CP-E4118-00	.CAP	1				
14	6K8-14597-10	.WASHER	1				
15	7G0-14184-00	.GASKET, FLOAT CHAMBER	1				
16	7EG-14181-00	.BODY, FLOAT CHAMBER 1	1				
17	7EG-14185-00	.FLOAT	1				
18	7DH-E495H-4C	.NOZZLE, MAIN	1				
19	1HX-14231-17-A0	.JET, MAIN (# 85)	1				
20	7G0-14227-00	.WASHER	1				
21	7CN-E4162-00	.BOLT, HOLDING	1				
22	7E1-14191-00	.PLUG, DRAIN	1				
23	73A-14212-00	.SPRING	1				
24	7CN-E4186-00	.PIN, FLOAT	1				
25	7LG-14150-11	.NEEDLE ASSY	1				
26	7EG-14159-00	..CLIP	1				

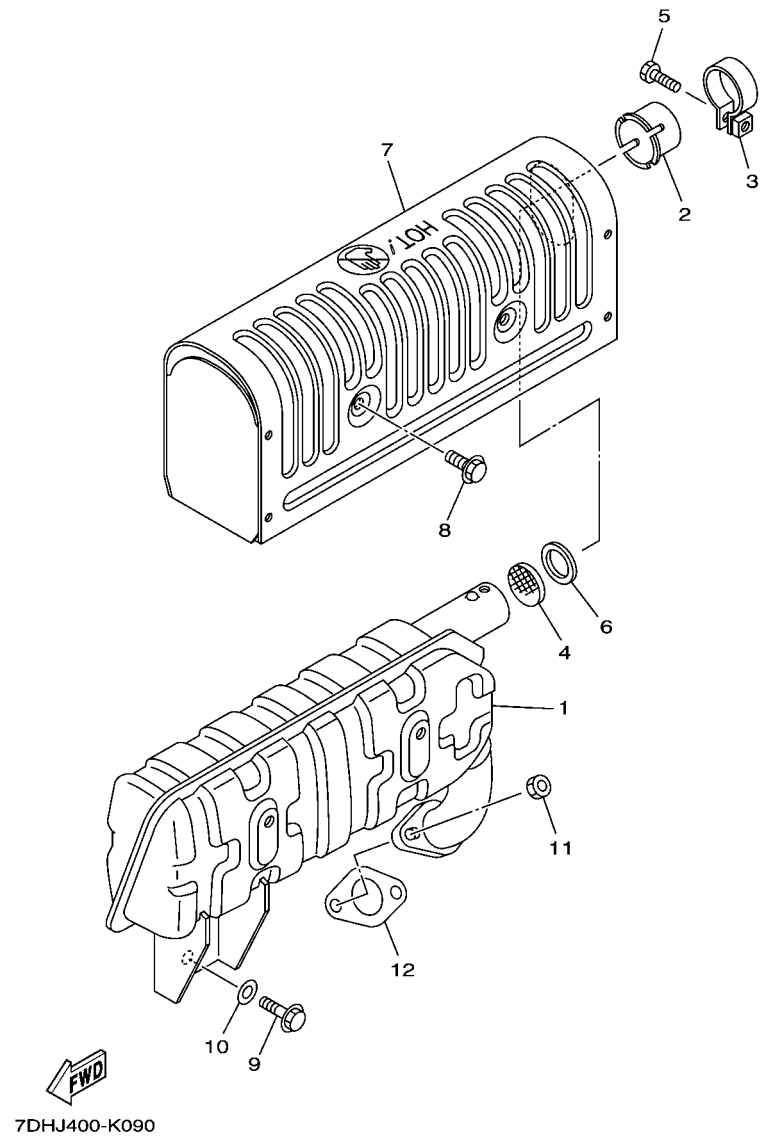
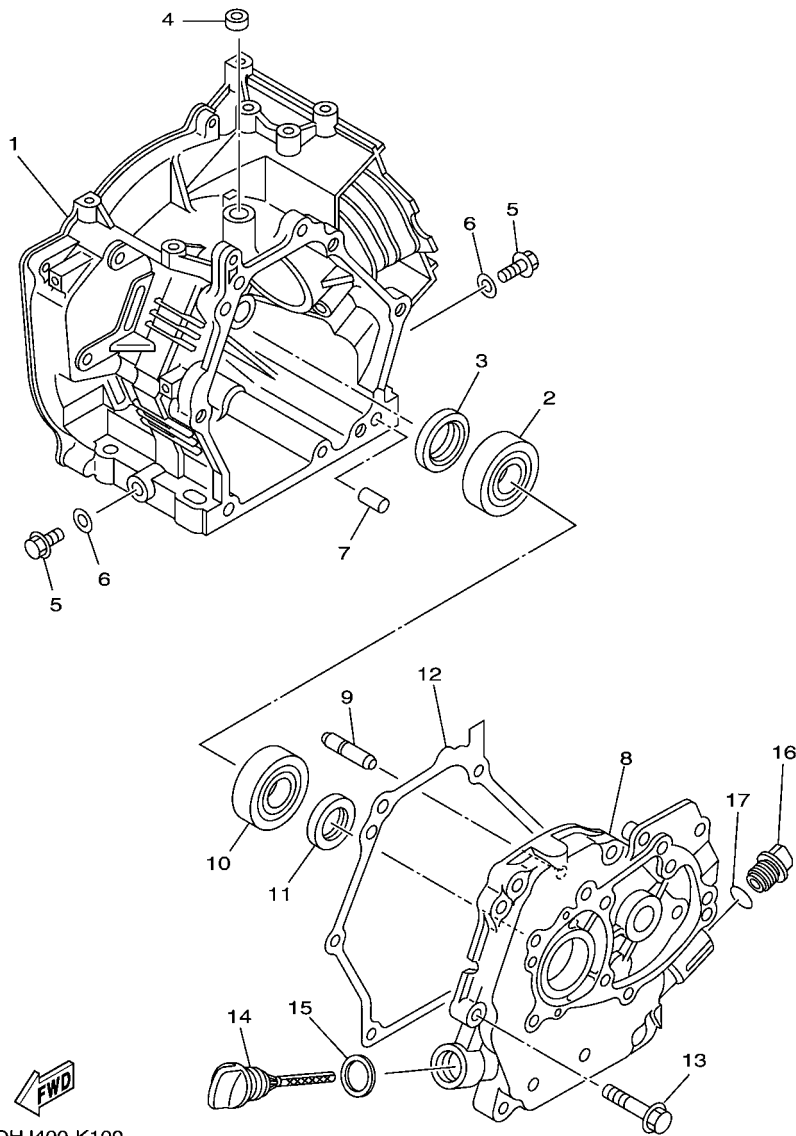


FIG. 9 EXHAUST

REF. NO.	PART NO.	DESCRIPTION	7DH2				REMARKS
1	7DH-E4711-20	MUFFLER 1	1				
2	7CA-E4799-00	CAP	1				
3	7CA-E4788-00	BAND, SILENCER	1				
4	7CA-E479E-00	NET, WIRE 2	1				
5	90153-05800	SCREW, HEXAGON	1				
6	90201-17802	WASHER, PLATE	1				
7	7CN-E4708-01	PROTECTOR ASSY	1				
8	95822-06008	BOLT, FLANGE	4				
9	95822-06016	BOLT, FLANGE	1				
10	90201-06843	WASHER, PLATE	1				
11	95302-06600	NUT	2				
12	7CN-E4613-00	GASKET, EXHAUST PIPE	1				



7DHJ400-K100

FIG. 10 CRANKCASE

REF. NO.	PART NO.	DESCRIPTION	7DH2				REMARKS
1	7DH-E5121-01	CRANKCASE 2	1				
2	93306-206Y4	BEARING	1				
3	93102-25806	OIL SEAL	1				
4	93104-06800	OIL SEAL	1				
5	95022-10016	BOLT, FLANGE	2				
6	90430-10801	GASKET	2				
7	99530-08016	PIN, DOWEL	2				
8	7CN-E5411-20	COVER, CRANKCASE 1	1				
9	7CN-E1971-00	SHAFT, FLYWEIGHT	1				
10	93306-205XV	BEARING	1				
11	93102-25805	OIL SEAL	1				
12	7CN-E5451-01	GASKET, CRANKCASE COVER 1	1				
13	95822-08035	BOLT, FLANGE	6				
14	7CN-E5362-10	PLUG, OIL LEVEL	1				
15	90430-17801	GASKET	1				
16	7CN-E5362-00	PLUG, OIL LEVEL	1				
17	93210-13801	O-RING	1				

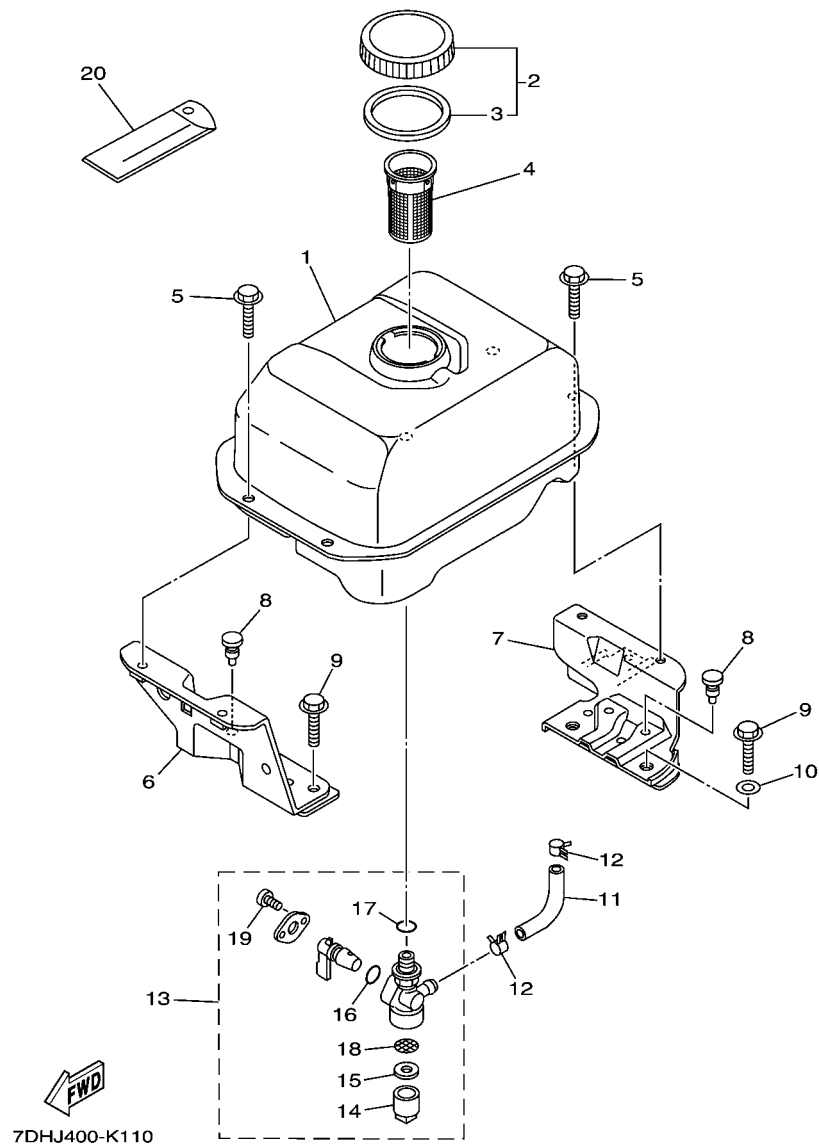
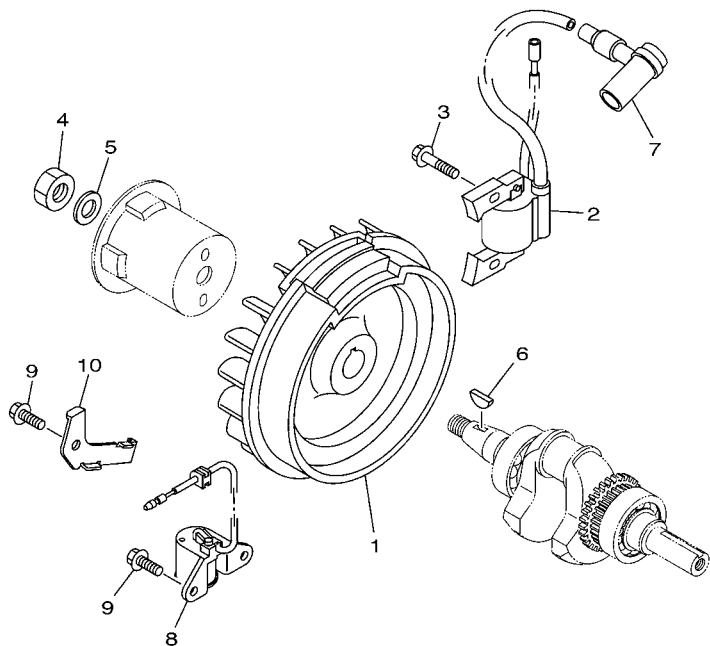


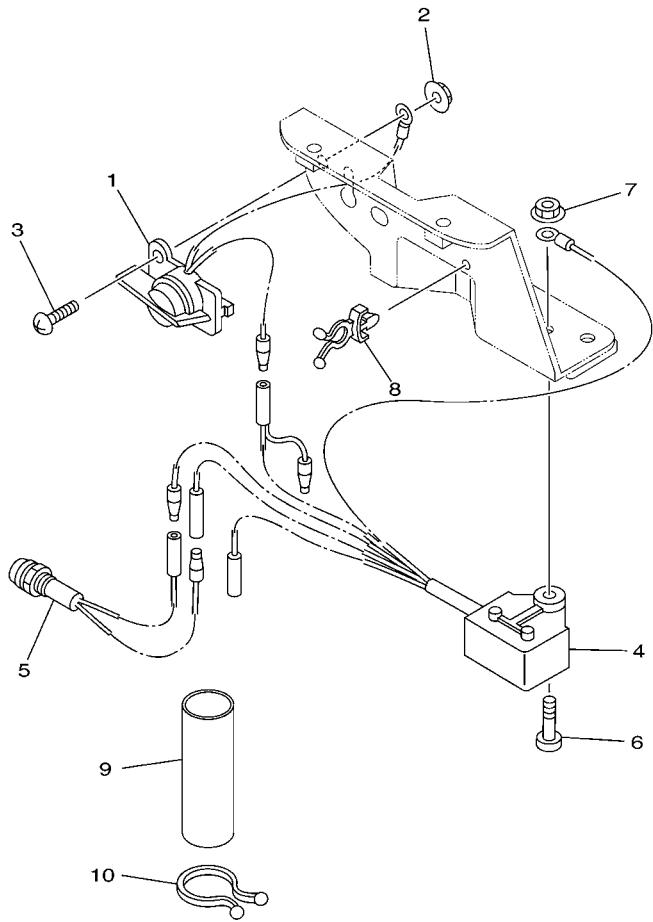
FIG. 11 FUEL TANK

REF. NO.	PART NO.	DESCRIPTION	7DH2				REMARKS
1	7CN-F4110-00	FUEL TANK COMP.	1				
2	7CN-F4610-00	CAP ASSY	1				
3	7CN-F4612-00	.PACKING, CAP	1				
4	7CN-F4167-00	STRAINER	1				
5	95822-06012	BOLT, FLANGE	4				
6	7CN-F4115-00	STAY, FUEL TANK 1	1				
7	7CN-F4116-00	STAY, FUEL TANK 2	1				
8	90338-05800	PLUG	3				
9	95822-08020	BOLT, FLANGE	4				
10	90201-08826	WASHER, PLATE	3				
11	7CN-F4311-00	PIPE, FUEL 1	1				
12	90467-09806	CLIP	2				
13	7CN-F4500-00	FUEL COCK ASSY 1	1				
14	7J3-24521-00	.CUP, FILTER	1				
15	4X8-24565-00	.GASKET	1				
16	7NJ-24534-00	.SEAL, COCK	1				
17	7NJ-24532-00	.GASKET	1				
18	7NJ-24515-01	.NET, FILTER 2	1				
19	98507-03008	.SCREW, PAN HEAD	2				
20	7CA-F8100-01	TOOL KIT	1				

FIG. 12 TCI MAGNETO



REF. NO.	PART NO.	DESCRIPTION	7DH2				REMARKS
1	7CN-H5650-00	ROTOR ASSY	1				
2	7CN-H5640-00	T.C.I. UNIT ASSY	1				
3	95822-06020	BOLT, FLANGE	2				
4	90170-14800	NUT	1				
5	92902-14200	WASHER	1				
6	90280-04801	KEY, WOODRUFF	1				
7	7CN-H2370-00	PLUG CAP ASSY	1				
8	7CN-H5720-00	OIL LEVEL GAUGE ASSY	1				
9	95822-06012	BOLT, FLANGE	3				
10	7CN-H5724-00	CLAMP	1				

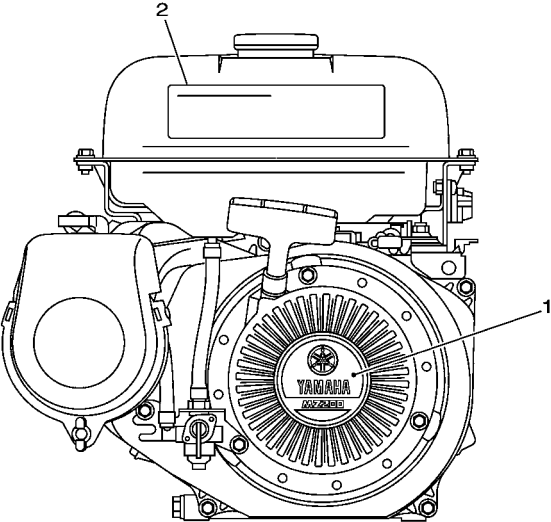


7CNB400-C140

FIG. 13 ELECTRICAL 1

REF. NO.	PART NO.	DESCRIPTION	7DH2				REMARKS
1	7CN-H2550-00	ENGINE STOP SWITCH ASSY	1				
2	95704-06500	NUT, FLANGE	1				
3	98502-06014	SCREW, PAN HEAD	1				
4	7CN-H5690-00	OIL WARNING UNIT	1				
5	7CA-H5770-01	OIL PILOT LIGHT ASSY	1				
6	98502-06020	SCREW, PAN HEAD	1				
7	95704-06500	NUT, FLANGE	1				
8	90464-07803	CLAMP	1				
9	7CN-H2599-00	COVER, CONNECTER	1				
10	90464-23800	CLAMP	1				

FIG. 14 EMBLEM & LABEL



7DHJ400-K140

REF. NO.	PART NO.	DESCRIPTION	7DH2					REMARKS
1	7DH-E2629-00	EMBLEM (MZ200)	1					
2	7CN-F4162-40	EMBLEM 2 (WARNING)	1					

NUMERICAL INDEX

PART NO.	REF. NO.	PART NO.	REF. NO.	PART NO.	REF. NO.	PART NO.	REF. NO.	PART NO.	REF. NO.	PART NO.	REF. NO.
2H0-14147-00	8 - 9	7DH-E2111-00	5 - 2	7DH-E5714-00	6 - 7	90468-18800	4 - 10				
7LG-14150-11	8 - 25	7CN-E2117-00	5 - 6	7DH-E5715-00	6 - 11	90501-090A8	4 - 19				
7EG-14159-00	8 - 26	7CN-E2118-00	5 - 7	7DH-E5716-00	6 - 12	90501-20800	5 - 5				
7EG-14181-00	8 - 16	7DH-E2119-01	5 - 14	7DH-E5719-00	6 - 14	90506-04800	4 - 16				
7G0-14184-00	8 - 15	7CN-E2121-00	5 - 3	7DH-E5723-00	6 - 18	92902-06200	4 - 9				
7EG-14185-00	8 - 17	7CN-E2151-00	5 - 8	7DH-E5741-00	6 - 8	92902-06600	4 - 13				
7E1-14191-00	8 - 22	7CN-E2153-00	5 - 4	7DH-E5743-00	6 - 10	92902-14200	12 - 5				
73A-14212-00	8 - 5	7CN-E2154-00	5 - 13	7DH-E5751-00	6 - 15	92990-05100	8 - 7				
	8 - 23	7CN-E2155-01	5 - 12	7DH-E5755-00	6 - 16	93102-25805	10 - 11				
73A-14212-10	8 - 12	7CN-E2157-01	5 - 10	7DH-E5793-00	6 - 13	93102-25806	10 - 3				
7RH-14216-00	8 - 2	7CN-E2158-01	5 - 11	7CN-E7441-00	3 - 1	93104-06800	10 - 4				
7G0-14227-00	8 - 20	7CN-E2165-00	5 - 9	7CN-F4110-00	11 - 1	93210-13801	10 - 17				
1HX-14231-17-A0	8 - 19	7CN-E2170-00	5 - 1	7CN-F4115-00	11 - 6	93306-205XV	10 - 10				
7RH-14486-00	8 - 3	7CN-E2621-30	6 - 1	7CN-F4116-00	11 - 7	93306-206Y4	10 - 2				
6K8-14597-10	8 - 14	7DH-E2629-00	14 - 1	7CN-F4162-40	14 - 2	93440-06826	4 - 5				
1WG-14922-00	8 - 4	7CN-E2651-01	6 - 3	7CN-F4167-00	11 - 4	93450-17828	3 - 7				
7NJ-24515-01	11 - 18	7CN-E3557-12	7 - 2	7CN-F4311-00	11 - 11	94702-00819	1 - 8				
7J3-24521-00	11 - 14	7CN-E3567-12	7 - 3	7CN-F4500-00	11 - 13	95022-10016	10 - 5				
7NJ-24532-00	11 - 17	7CN-E3596-10	7 - 1	7CN-F4610-00	11 - 2	95302-06600	9 - 11				
7NJ-24534-00	11 - 16	7DH-E4101-10	8 - 1	7CN-F4612-00	11 - 3	95602-06615	1 - 2				
4X8-24565-00	11 - 15	7CP-E4118-00	8 - 13	7CA-F8100-01	11 - 20	95702-06500	7 - 12				
7DH-E1121-01	1 - 1	7CU-E4142-37-A0	8 - 10	7CN-G1240-00	4 - 17	95704-06500	13 - 2				
7CN-E1160-00	1 - 10	7CN-E4162-00	8 - 21	7CN-H2370-00	12 - 7		13 - 7				
7CN-E1169-01	1 - 12	7CN-E4186-00	8 - 24	7CN-H2550-00	13 - 1	95802-06012	6 - 2				
7CN-E1179-00	1 - 3	7CU-E4211-00	8 - 11	7CN-H2599-00	13 - 9	95802-06016	6 - 17				
7DH-E1181-01	1 - 4	7CN-E4411-40	7 - 4	7CN-H5640-00	12 - 2		7 - 13				
7CN-E1191-00	1 - 9	7CN-E4412-00	7 - 5	7CN-H5650-00	12 - 1	95822-06008	9 - 8				
7CN-E1193-00	1 - 13	7CN-E4451-10	7 - 7	7CN-H5690-00	13 - 4	95822-06012	1 - 14				
7DH-E1400-10	2 - 1	7CN-E4461-10	7 - 9	7CN-H5720-00	12 - 8		6 - 4				
7CN-E1561-00	3 - 8	7CN-E4462-10	7 - 10	7CN-H5724-00	12 - 10		11 - 5				
7DH-E1610-00	3 - 5	7CN-E4468-01	7 - 6	7CA-H5770-01	13 - 5		12 - 9				
7DH-E1610-10	3 - 5	7CN-E4477-20	7 - 11	90153-05800	9 - 5	95822-06016	9 - 9				
7DH-E1610-20	3 - 5	7CU-E4527-00	8 - 8	90154-06823	7 - 8	95822-06020	12 - 3				
7DH-E1631-10-A0	3 - 4	7CN-E4613-00	9 - 12	90170-14800	12 - 4	95822-08020	11 - 9				
7CN-E1633-00	3 - 6	7CN-E4708-01	9 - 7	90173-06802	4 - 14	95822-08035	10 - 13				
7DH-E1635-00	3 - 4	7DH-E4711-20	9 - 1	90201-06842	4 - 4	95822-08045	1 - 6				
7DH-E1636-00	3 - 4	7CA-E4788-00	9 - 3		4 - 6	95822-08065	1 - 5				
7CN-E1650-11	3 - 2	7CA-E4799-00	9 - 2	90201-06843	9 - 10	97022-06030	4 - 12				
7CN-E1654-00	3 - 3	7CA-E479E-00	9 - 4	90201-08826	11 - 10	98502-05025	4 - 18				
7CN-E1913-00	4 - 2	7DH-E495H-4C	8 - 18	90201-17802	9 - 6	98502-06014	13 - 3				
7CN-E1914-00	4 - 3	7DH-E5121-01	10 - 1	90280-04801	12 - 6	98502-06020	13 - 6				
7CN-E1917-00	4 - 7	7CN-E5362-00	10 - 16	90338-05800	11 - 8	98507-03008	11 - 19				
7CN-E1922-00	4 - 8	7CN-E5362-10	10 - 14	90430-10801	10 - 6	98507-05008	8 - 6				
7CN-E1924-10	4 - 11	7CN-E5411-20	10 - 8	90430-17801	10 - 15	99530-08016	10 - 7				
7CN-E1925-00	4 - 20	7CN-E5451-01	10 - 12	90445-13800	1 - 11	99530-10114	1 - 7				
7CN-E1928-00	4 - 15	7DH-E5710-00	6 - 5	90464-07803	13 - 8						
7CN-E1970-00	4 - 1	7CP-E5711-00	6 - 6	90464-23800	13 - 10						
7CN-E1971-00	10 - 9	7DH-E5713-00	6 - 9	90467-09806	11 - 12						