



PARTS CATALOGUE

MZ200B1AT (7DH1) CSA, SEA



1F7DH-200E1

()

2010-6-9

NEWS NO.	DATE	COMMENT
PE0-MP-090001	Nov.,30,2009	MZ200B1AT(7DH1) PARTS CATAROGUE CORRECTIONS
PE0-MP-100001	Apr.,16,2010	MZ200B1AT(7DH1) PARTS CATAROGUE CORRECTIONS

MZ200B1AT
PARTS CATALOGUE
©2007 by Yamaha Motor Co., Ltd.
1st edition, August 2007
All rights reserved.
Any reprinting or unauthorized use
without the written permission of
Yamaha Motor Co., Ltd.
is expressly prohibited.
Printed in Japan.

FOREWORD

This Parts Catalogue is related to the parts for the model(s) on the cover page. When you are ordering replacement parts, please refer to this Parts Catalogue and quote both part numbers and part names correctly.

1. Modifications or additions which have been made after the issue of the Parts Catalogue will be announced in the Parts News.

It is advisable that you make the necessary corrections to the Parts Catalogue according to the Parts News.

2. Abbreviations

The following abbreviations are used in this Parts Catalogue.

“UR” Use specified parts number.

“UN” Use as many as needed.

“AP” Alternate Parts

“LM” Locally Made (Parts need to be ordered locally)

“F#” Frame No. (Applicable machine No.)

“O/S” Over Size

3. The number of components for assembly

- Parts, which are to be supplied in an assembly, are listed with a dot (.) in front of the part name as shown below.
- The numeral appearing to the right of each component part indicates the quantity of parts for each assembly unit.

PART NO.	DESCRIPTION	Q'TY	REMARKS
2F5-83310-60	FRONT FLASHER LIGHT ASSY	2	
115-83311-60	.BULB (6V-18W)	1	

4. Applicable colours of graphics are represented in the “REMARKS” as shown below.

PART NO.	DESCRIPTION	Q'TY	REMARKS
2N4-24110-00-X5	FUEL TANK COMP.	2	MXR
3J1-24240-10	.GRAPHIC, FUEL TANK	1	FOR MXR

5. Note that the illustrations for reference in finding parts numbers are not to be used for assembling. When assembling, please use the applicable service manual.

6. The asterisk (*) before a reference number indicates modified items after the first edition.

FOREWORD

Engine Serial No.

This parts catalogue is related to the parts for the models in the list below.

MODEL CODE	MODEL NAME	SPECIFICATION (OUT LINE)	ENGINE SERIAL NO.
7DH1	MZ200B1AT	P.T.O. SHAFT L TYPE, MOUNT FACE B (M8) OIL WARNING LESS	7DH1-1000101

CONTENTS

CYLINDER	1
CRANKSHAFT	2
CRANKSHAFT & PISTON	3
GOVERNOR	4
CAMSHAFT & VALVE	5
AIR SHROUD & STARTER	6
INTAKE	7
CARBURETOR	8
EXHAUST	9
CRANKCASE	10
FUEL TANK	11
TCI MAGNETO	12
ELECTRICAL 1	13
EMBLEM & LABEL	14

INDEX

NUMERICAL INDEX	15
-----------------------	----

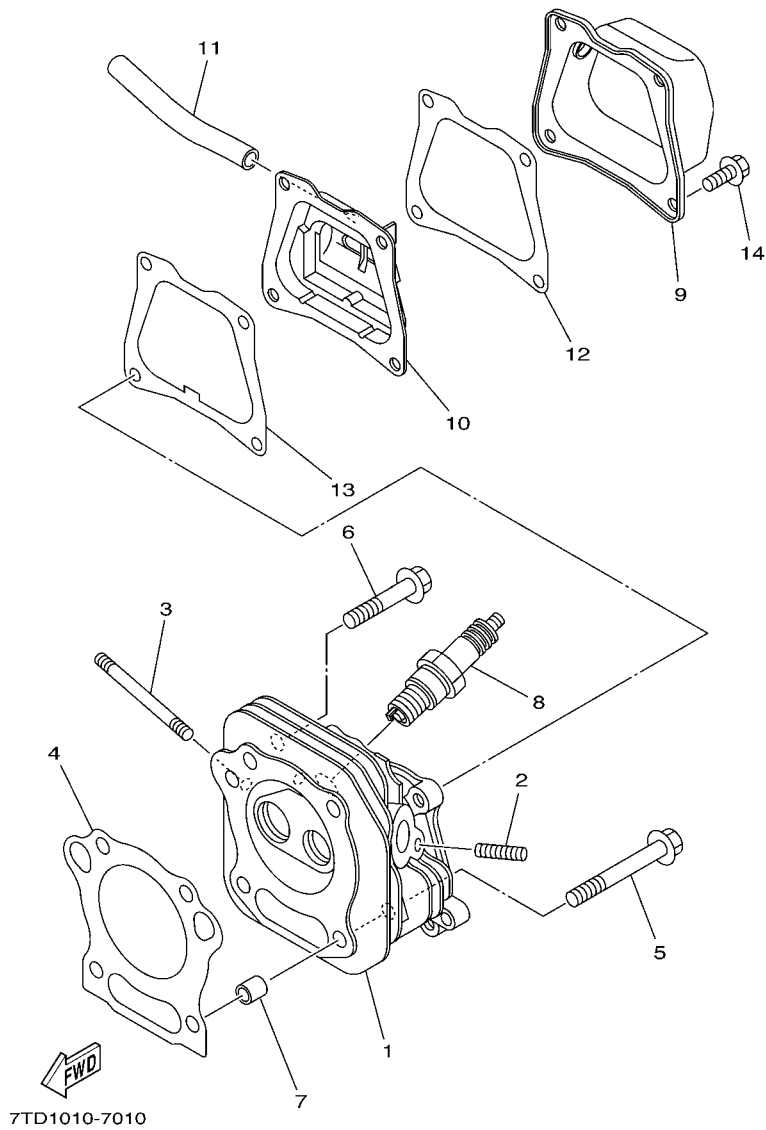
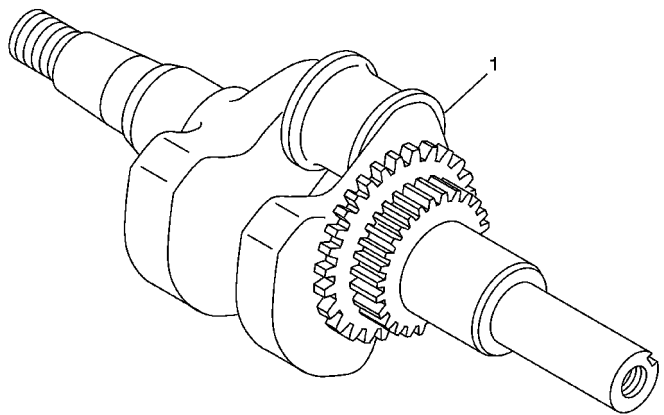
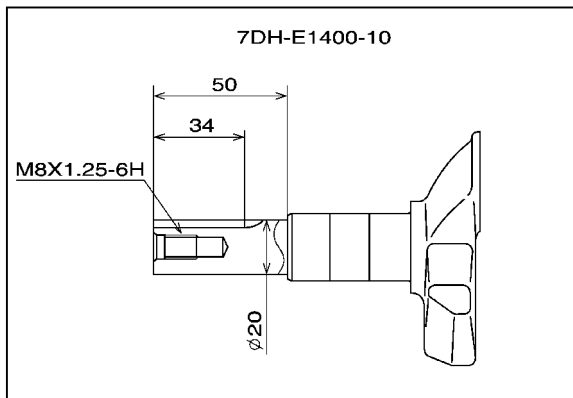


FIG. 1 CYLINDER

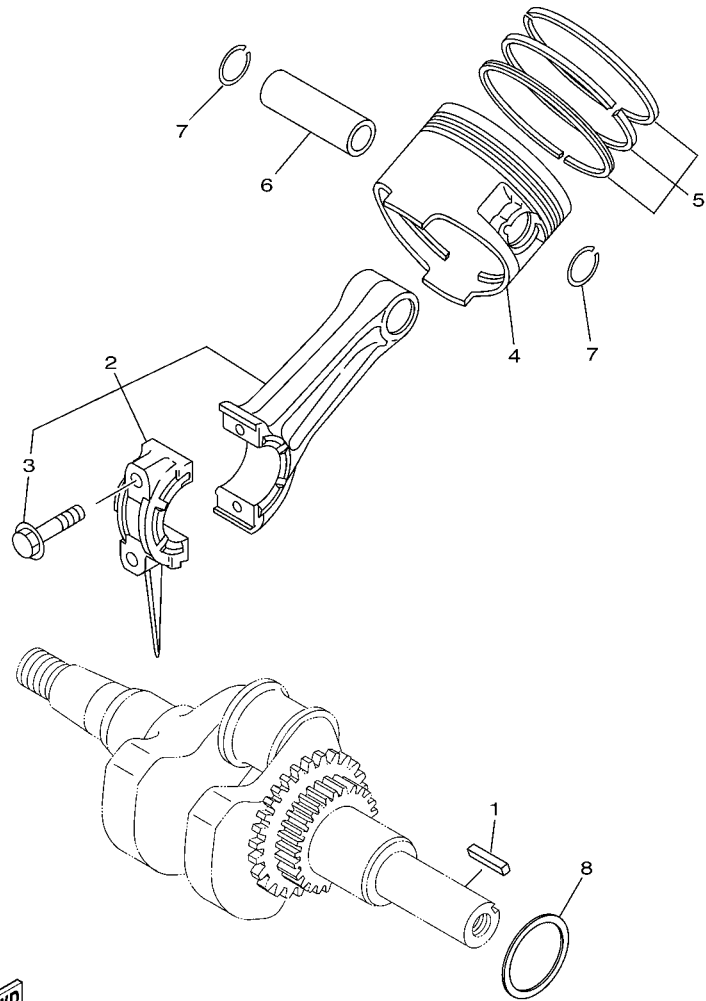
REF. NO.	PART NO.	DESCRIPTION	7DH				REMARKS
1	7DH-E1111-00	HEAD, CYLINDER 1	1				
2	90116-06812	BOLT, STUD	2				
3	90116-06807	BOLT, STUD	2				
4	7DH-E1181-00	GASKET, CYLINDER HEAD 1	1				
5	95827-08065	BOLT, FLANGE	2				
6	95827-08045	BOLT, FLANGE	2				
7	99530-10114	PIN, DOWEL	2				
8	94702-00819	PLUG, SPARK (NGK BPR4ES)	1				
9	7CN-E1191-00	COVER, CYLINDER HEAD 1	1				
10	7CN-E1160-00	BREATHER ASSY	1				
11	90445-13800	HOSE	1				
12	7CN-E1169-00	GASKET, BREATHER COVER	1				
13	7CN-E1193-00	GASKET, HEAD COVER 1	1				
14	90105-06864	BOLT, FLANGE	4				

FIG. 2 CRANKSHAFT



7DH1200-F021

REF. NO.	PART NO.	DESCRIPTION	7DH1				REMARKS
1	7DH-E1400-10	CRANKSHAFT ASSY					



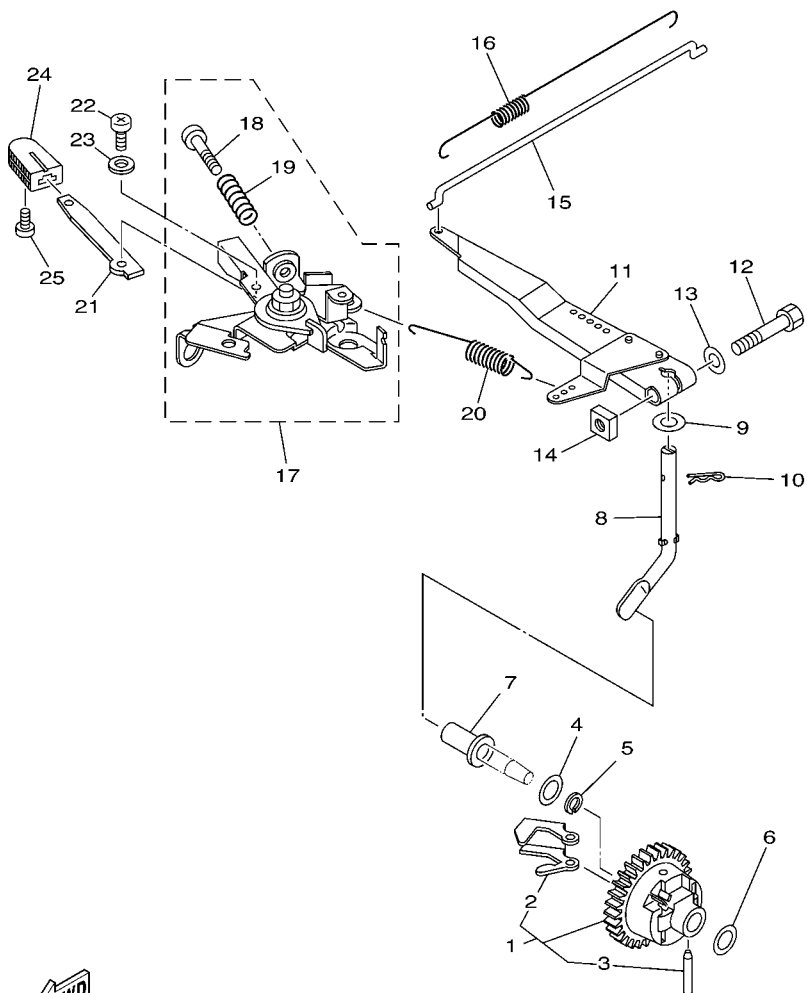
7CN1200-C030

FIG. 3 CRANKSHAFT & PISTON

REF. NO.	PART NO.	DESCRIPTION	7DH				REMARKS
1	7CN-E7441-00	KEY, FLAT	1				
2	7CN-E1650-10	CONNECTING ROD ASSY	1				
3	7CN-E1654-00	.BOLT, CONNECTING ROD	2				
4	7DH-E1631-00-A0	PISTON (STD)	1				
	7DH-E1635-00	PISTON (0.25MM O/S)	1				AP
	7DH-E1636-00	PISTON (0.50MM O/S)	1				AP
5	7DH-E1610-00	PISTON RING SET (STD)	1				
	7DH-E1610-10	PISTON RING SET (0.25MM O/S)	1				AP
	7DH-E1610-20	PISTON RING SET (0.50MM O/S)	1				AP
6	7CN-E1633-00	PIN, PISTON	1				
7	93450-17828	CIRCLIP	2				
8	7CN-E1561-00	SHIM, CRANK 1 (T=0.1)	1				UN

FIG. 4 GOVERNOR

REF. NO.	PART NO.	DESCRIPTION	7DH				REMARKS
1	7CN-E1970-00	FLYWEIGHT SHAFT ASSY.	1				
2	7CN-E1913-00	.WEIGHT	2				
3	7CN-E1914-00	.SHAFT, WEIGHT	2				
4	90201-06842	WASHER, PLATE	1				
5	93440-06826	CIRCLIP	1				
6	90201-06842	WASHER, PLATE	1				
7	7CN-E1917-00	COLLAR	1				
8	7CN-E1922-00	FORK, GOVERNOR	1				
9	92907-06200	WASHER	1				
10	90468-18800	CLIP	1				
11	7CN-E1924-10	ARM, GOVERNOR	1				
12	97027-06030	BOLT	1				
13	92907-06600	WASHER, PLATE	1				
14	90173-06802	NUT, SQUARE	1				
15	7CN-E1928-00	ROD, LINK	1				
16	90506-04800	SPRING, TENSION	1				
17	7CN-G1240-00	THROTTLE LEVER COMP.	1				
18	98507-05025	.SCREW, PAN HEAD	1				
19	90501-090A8	.SPRING, COMPRESSION	1				
20	7CN-E1925-00	SPRING, GOVERNOR	1				
21	7CN-G1238-00	JOINT, LINK	1				
22	90157-05003	SCREW, PAN HEAD	1				
23	92907-05600	WASHER, PLATE	1				
24	7CN-G1271-00	KNOB, CHOKE	1				
25	7CN-G1239-00	SCREW	1				




7CN1200-C050

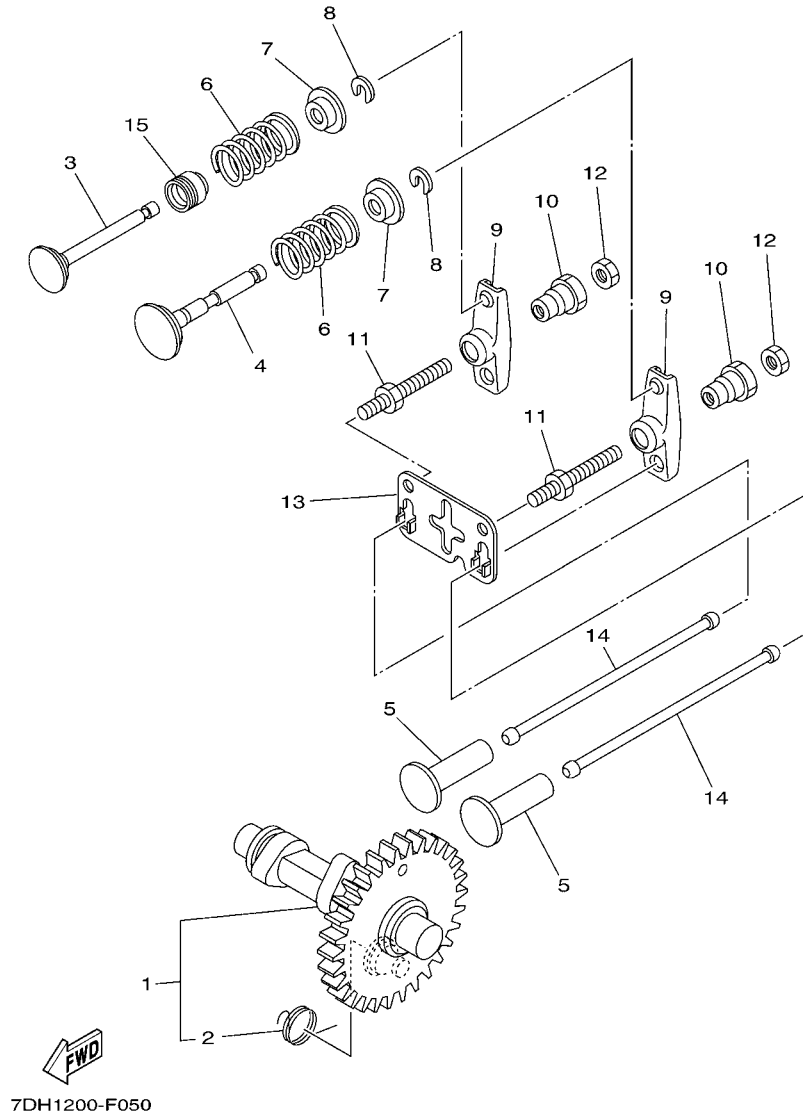
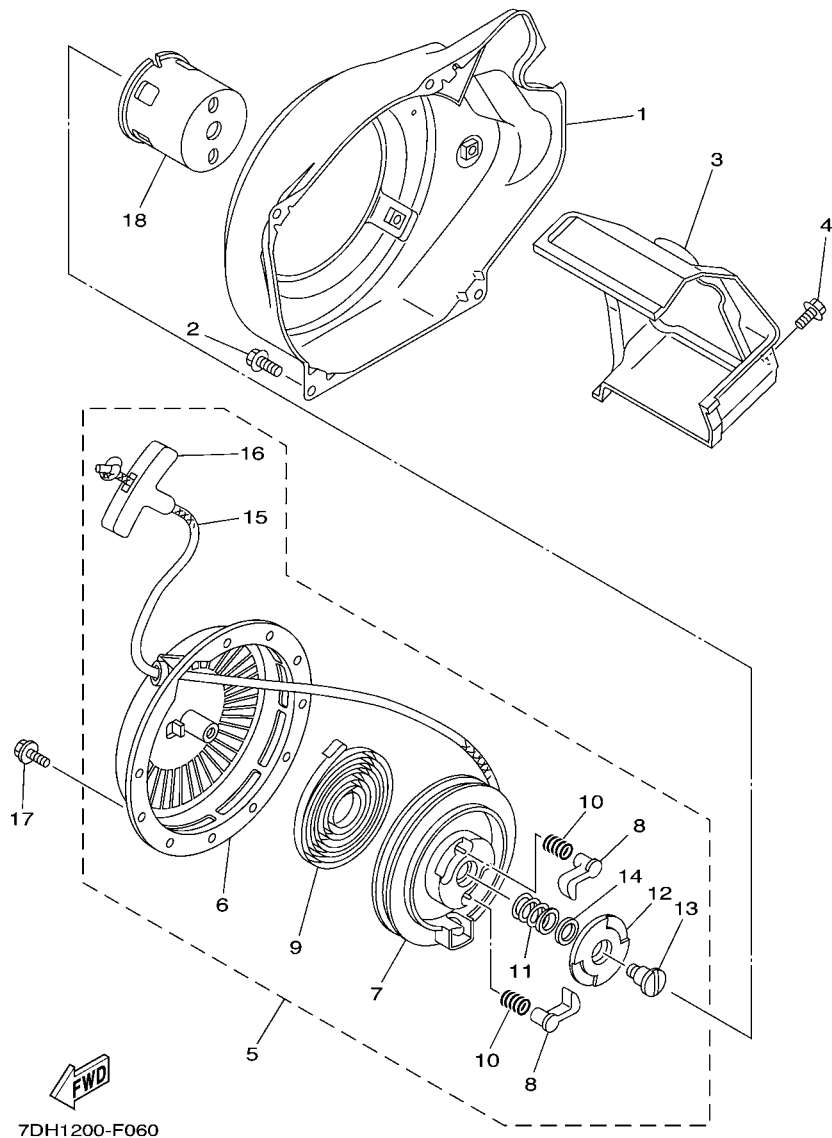


FIG. 5 CAMSHAFT & VALVE

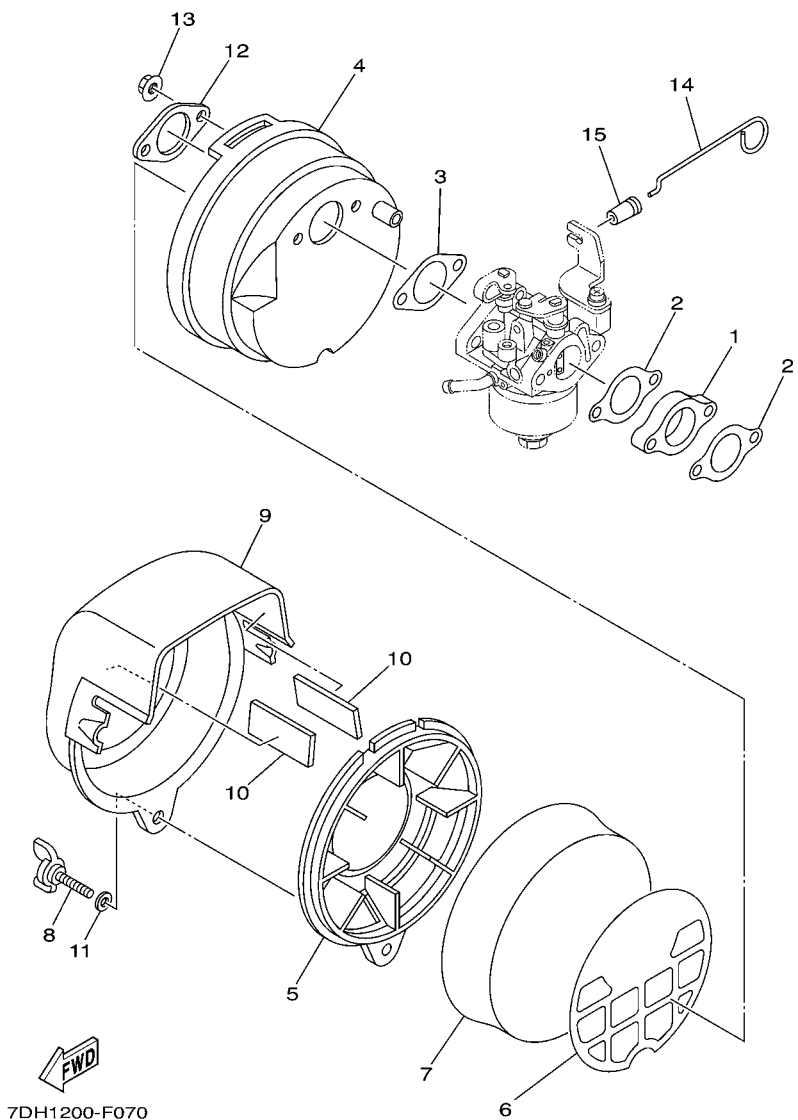
REF. NO.	PART NO.	DESCRIPTION	7DH				REMARKS
1	7CN-E2170-00	CAMSHAFT ASSY 1	1				
2	7CN-E2287-00	.SPRING, DECOMPRESSION	1				
3	7DH-E2111-00	VALVE, INTAKE	1				
4	7CN-E2121-00	VALVE, EXHAUST	1				
5	7CN-E2153-00	LIFTER, VALVE	2				
6	90501-20800	SPRING, COMPRESSION	2				
7	7CN-E2117-00	RETAINER, VALVE SPRING	2				
8	7CN-E2118-00	COTTER, VALVE	2				
9	7CN-E2151-00	ARM, VALVE ROCKER	2				
10	7CN-E2165-00	PIVOT, ROCKER ARM	2				
11	7CN-E2157-00	BOLT	2				
12	7CN-E2158-00	NUT, LOCK	2				
13	7CN-E2155-01	GUIDE, PUSH ROD	1				
14	7CN-E2154-00	ROD, VALVE PUSH	2				
15	7CN-E2119-00	SEAL, VALVE STEM	1				



7DH1200-F060

FIG. 6 AIR SHROUD & STARTER

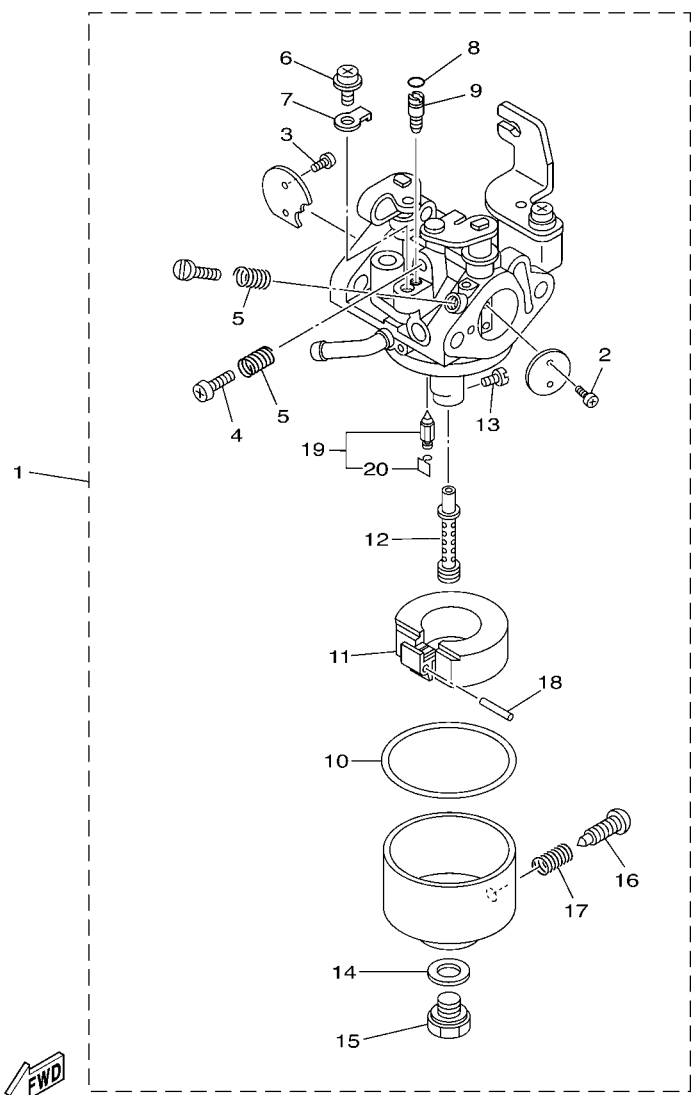
REF. NO.	PART NO.	DESCRIPTION	7DH				REMARKS
1	7CN-E2621-30	CASE, FAN	1				
2	90105-06864	BOLT, FLANGE	4				
3	7CN-E2651-01	AIR SHROUD, CYLINDER 1	1				
4	90105-06864	BOLT, FLANGE	1				
5	7DH-E5710-00	STARTER ASSY	1				
6	7CP-E5711-00	.CASE, STARTER	1				
7	7DH-E5714-00	.DRUM, SHEAVE	1				
8	7DH-E5741-00	.PAWL, DRIVE	2				
9	7DH-E5713-00	.SPRING, STARTER	1				
10	7DH-E5743-00	.SPRING, RETURN	2				
11	7DH-E5715-00	.SPRING, FRICTION	1				
12	7DH-E5716-00	.PLATE, DRIVE	1				
13	7DH-E5793-00	.SCREW	1				
14	7DH-E5719-00	.WASHER, THRUST	1				
15	7DH-E5751-00	.WIRE, STARTER	1				
16	7DH-E5755-00	.HANDLE, STARTER	1				
17	90105-06865	BOLT, FLANGE	3				
18	7DH-E5723-00	PULLEY, STARTER	1				



7DH1200-F070

FIG. 7 INTAKE

REF. NO.	PART NO.	DESCRIPTION	7DH				REMARKS
1	7CN-E3596-10	JOINT, CARBURETOR 2	1				
2	7CN-E3557-11	GASKET	2				
3	7CN-E3567-11	GASKET	1				
4	7CN-E4411-20	CASE, AIR CLEANER 1	1				
5	7CN-E4412-20	CAP, CLEANER CASE 1	1				
6	7CN-E4468-20	PLATE,ELEMENT FITTING	1				
7	7CN-E4451-20	ELEMENT, AIR CLEANER	1				
8	90122-06017	BOLT, WING	1				
9	7CN-E4422-30	CAP, CLEANER CASE 2	1				
10	7CN-E2684-00	DAMPER, DUCT 1	2				
11	90201-06380	WASHER, PLATE	1				
12	7CN-E4477-00	PLATE	1				
13	95707-06500	NUT, FLANGE	2				
14	7BN-E4583-11	LEVER, CHOKE	1				
15	7BN-E4445-00	GROMMET	1				

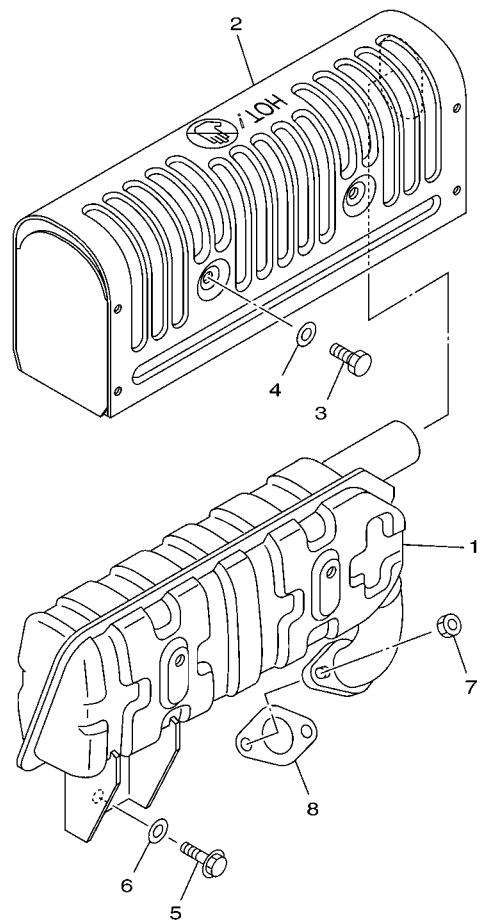


7DH1200-F080

FIG. 8 CARBURETOR

REF. NO.	PART NO.	DESCRIPTION	7DH				REMARKS
1	7DH-E4101-00	CARBURETOR ASSY 1	1				
2	7RH-14216-00	.SCREW	2				
3	7RH-14486-00	.SCREW, ROD	2				
4	7DH-E4922-00	.SCREW, THROTTLE	1				
5	7DH-E4212-00	.SPRING, PILOT ADJUSTING	2				
6	7DH-E4216-00	.SCREW	1				
7	7DH-E4243-00	.PLATE	1				
8	2H0-14147-00	.O-RING	1				
9	7DH-E414J-18	.JET, PILOT (#46.3)	1				
10	7G0-14184-00	.GASKET, FLOAT CHAMBER	1				
11	7LG-14185-00	.FLOAT	1				
12	7DH-E495H-4A	.NOZZLE, MAIN	1				
13	7NN-1414A-69	.JET, MAIN (# 92.5)	1				
14	7G0-14227-00	.WASHER	1				
15	7DH-E4162-00	.BOLT, HOLDING	1				
16	7DH-E4191-00	.PLUG, DRAIN	1				
17	7DH-E4212-00	.SPRING, PILOT ADJUSTING	1				
18	22F-14186-00	.PIN, FLOAT	1				
19	7LG-14150-11	.NEEDLE ASSY	1				
20	7EG-14159-00	..CLIP	1				

FIG. 9 EXHAUST



7DH1200-F090

REF. NO.	PART NO.	DESCRIPTION	7DH				REMARKS
1	7DH-E4711-00	MUFFLER 1	1				
2	7CN-E4708-00	PROTECTOR ASSY	1				
3	97027-06010	BOLT	4				
4	92907-06600	WASHER, PLATE	4				
5	90105-06865	BOLT, FLANGE	1				
6	90201-06843	WASHER, PLATE	1				
7	90170-06808	NUT	2				
8	7CN-E4613-00	GASKET, EXHAUST PIPE	1				

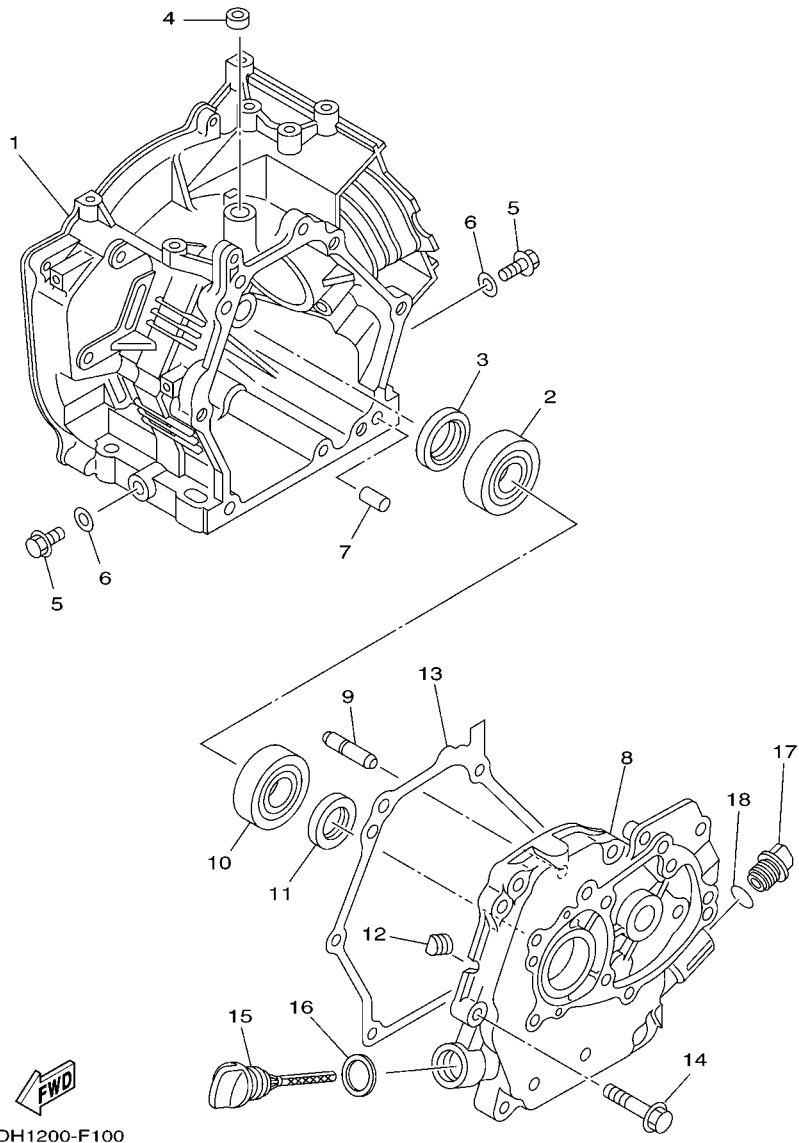
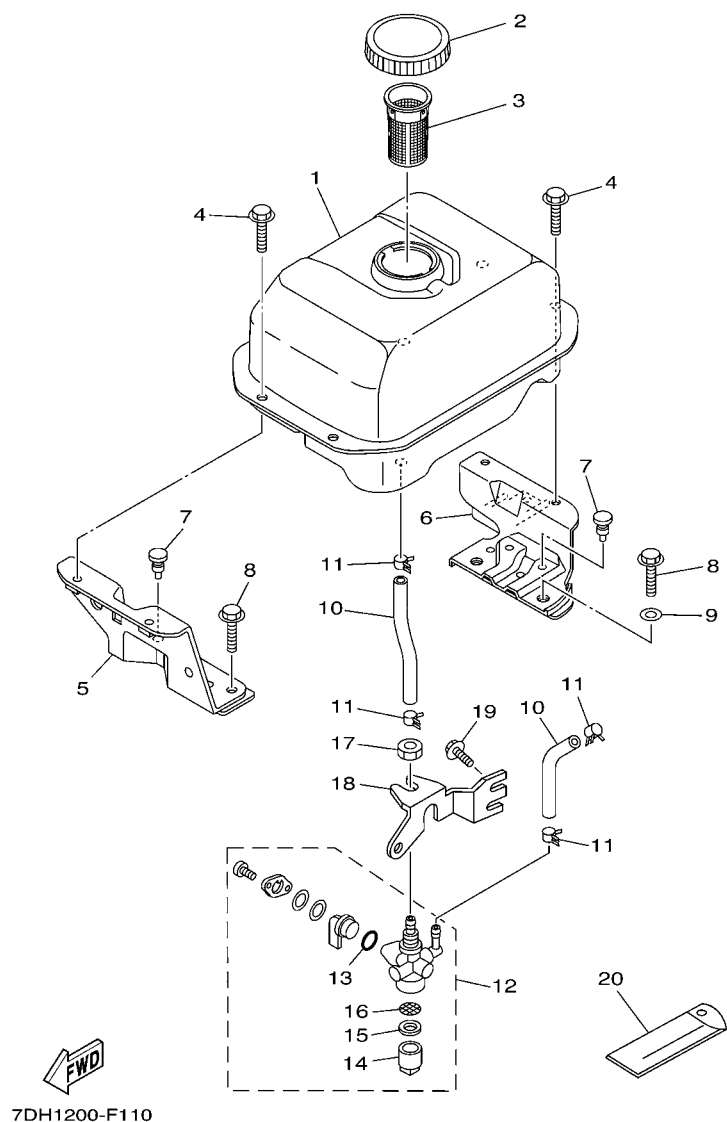


FIG. 10 CRANKCASE

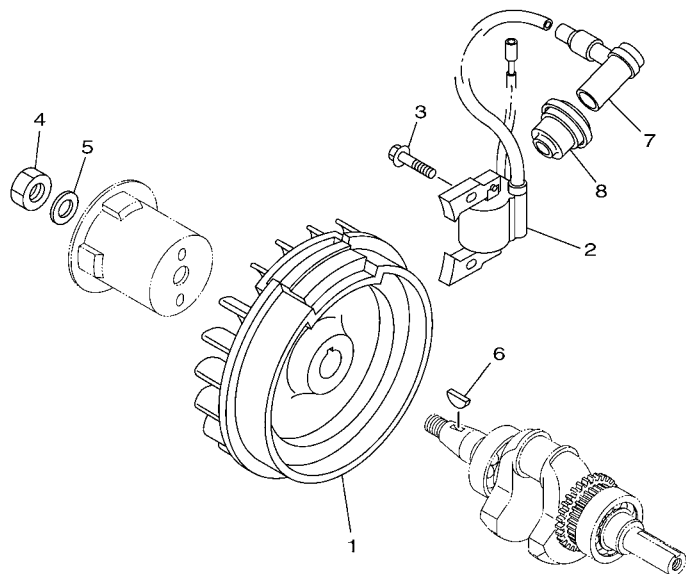
REF. NO.	PART NO.	DESCRIPTION	7DH				REMARKS
1	7DH-E5121-01	CRANKCASE 2	1				
2	93306-205XV	BEARING	1				
3	93102-25806	OIL SEAL	1				
4	93104-06800	OIL SEAL	1				
5	7DH-E5187-00	BOLT	2				
6	90430-10801	GASKET	2				
7	99530-08016	PIN, DOWEL	2				
8	7CN-E5411-20	COVER, CRANKCASE 1	1				
9	7CN-E1971-00	SHAFT, FLYWEIGHT	1				
10	93306-205XV	BEARING	1				
11	93102-25805	OIL SEAL	1				
12	90338-06800	PLUG	1				
13	7CN-E5451-00	GASKET, CRANKCASE COVER 1	1				
14	90105-08895	BOLT, FLANGE	6				
15	7CN-E5362-10	PLUG, OIL LEVEL	1				
16	90430-17801	GASKET	1				
17	7CN-E5362-00	PLUG, OIL LEVEL	1				
18	93210-13801	O-RING	1				

FIG. 11 FUEL TANK



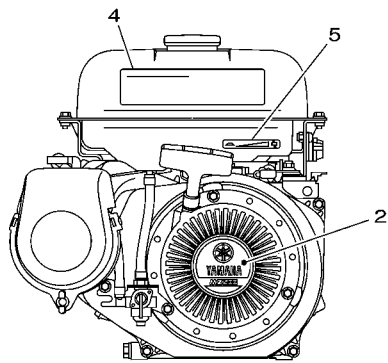
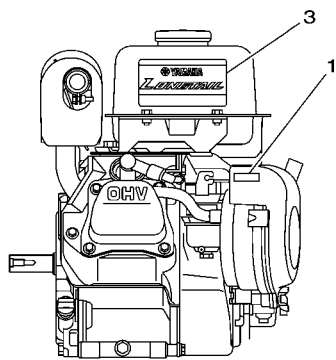
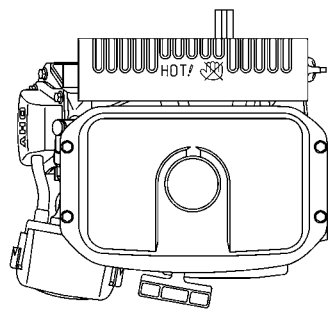
REF. NO.	PART NO.	DESCRIPTION	7DH1				REMARKS
1	7CN-F4110-20-NJ	FUEL TANK COMP.	1				FWB
2	7CN-F4610-00	CAP ASSY	1				
3	7CN-F4167-00	STRAINER	1				
4	90105-06864	BOLT, FLANGE	4				
5	7CN-F4115-00	STAY, FUEL TANK 1	1				
6	7CN-F4116-00	STAY, FUEL TANK 2	1				
7	90338-05800	PLUG	3				
8	90105-08899	BOLT, FLANGE	4				
9	90201-08826	WASHER, PLATE	3				
10	90445-100K4	HOSE (L125)	2				
11	90467-09806	CLIP	4				
12	7CN-F4500-11	FUEL COCK ASSY 1	1				
13	7CN-F4534-00	.SEAL, COCK	1				
14	7J3-24521-00	.CUP, FILTER	1				
15	4X8-24565-00	.GASKET	1				
16	7CN-F4515-10	.NET, FILTER 2	1				
17	95307-10700	NUT	1				
18	7DH-F4544-00	BRACKET, FUEL COCK	1				
19	90105-06866	BOLT, FLANGE	1				
20	7CA-F8100-00	TOOL KIT	1				

FIG. 12 TCI MAGNETO



REF. NO.	PART NO.	DESCRIPTION	7DH				REMARKS
1	7DH-H5650-00	ROTOR ASSY	1				
2	7CN-H5640-00	T.C.I. UNIT ASSY	1				
3	95827-06020	BOLT, FLANGE	2				
4	90170-14800	NUT	1				
5	92907-14200	WASHER	1				
6	90280-04801	KEY, WOODRUFF	1				
7	7CN-H2370-10	PLUG CAP ASSY	1				
8	7CP-H2372-00	SEAL, PLUG CAP	1				


7DH1200-F120



7DH1200-F140

FIG. 14 EMBLEM & LABEL

REF. NO.	PART NO.	DESCRIPTION	7DH1				REMARKS
1	7BN-F4155-00	INDICATOR, CHOKE	1				
2	7DH-E2629-00	EMBLEM (MZ200)	1				
3	7DH-F4161-00	EMBLEM 1 (LONGTAIL)	2				
4	7CN-F4162-00	EMBLEM 2 (WARNING)	1				
5	7CN-F4154-00	INDICATOR, SHIFT	1				

NUMERICAL INDEX

PART NO.	REF. NO.	PART NO.	REF. NO.	PART NO.	REF. NO.	PART NO.	REF. NO.	PART NO.	REF. NO.	PART NO.	REF. NO.
2H0-14147-00	8 - 8	7CN-E2158-00	5 - 12	7DH-E5751-00	6 - 15	90201-08826	11 - 9				
7NN-1414A-69	8 - 13	7CN-E2165-00	5 - 10	7DH-E5755-00	6 - 16	90280-04801	12 - 6				
7LG-14150-11	8 - 19	7CN-E2170-00	5 - 1	7DH-E5793-00	6 - 13	90338-05800	11 - 7				
7EG-14159-00	8 - 20	7CN-E2287-00	5 - 2	7CN-E7441-00	3 - 1	90338-06800	10 - 12				
7G0-14184-00	8 - 10	7CN-E2621-30	6 - 1	7CN-F4110-20-NJ	11 - 1	90430-10801	10 - 6				
7LG-14185-00	8 - 11	7DH-E2629-00	14 - 2	7CN-F4115-00	11 - 5	90430-17801	10 - 16				
22F-14186-00	8 - 18	7CN-E2651-01	6 - 3	7CN-F4116-00	11 - 6	90445-100K4	11 - 10				
7RH-14216-00	8 - 2	7CN-E2684-00	7 - 10	7CN-F4154-00	14 - 5	90445-13800	1 - 11				
7G0-14227-00	8 - 14	7CN-E3557-11	7 - 2	7BN-F4155-00	14 - 1	90464-07803	13 - 4				
7RH-14486-00	8 - 3	7CN-E3567-11	7 - 3	7DH-F4161-00	14 - 3	90467-09806	11 - 11				
7J3-24521-00	11 - 14	7CN-E3596-10	7 - 1	7CN-F4162-00	14 - 4	90468-18800	4 - 10				
4X8-24565-00	11 - 15	7DH-E4101-00	8 - 1	7CN-F4167-00	11 - 3	90501-090A8	4 - 19				
7DH-E1111-00	1 - 1	7DH-E414J-18	8 - 9	7CN-F4500-11	11 - 12	90501-20800	5 - 6				
7CN-E1160-00	1 - 10	7DH-E4162-00	8 - 15	7CN-F4515-10	11 - 16	90506-04800	4 - 16				
7CN-E1169-00	1 - 12	7DH-E4191-00	8 - 16	7CN-F4534-00	11 - 13	92907-05600	4 - 23				
7DH-E1181-00	1 - 4	7DH-E4212-00	8 - 5	7DH-F4544-00	11 - 18	92907-06200	4 - 9				
7CN-E1191-00	1 - 9			7CN-F4610-00	11 - 2	92907-06600	4 - 13				
7CN-E1193-00	1 - 13	7DH-E4216-00	8 - 6	7CA-F8100-00	11 - 20		9 - 4				
7DH-E1400-00	2 - 1	7DH-E4243-00	8 - 7	7CN-G1238-00	4 - 21	92907-14200	12 - 5				
7CN-E1561-00	3 - 8	7CN-E4411-20	7 - 4	7CN-G1239-00	4 - 25	93102-25805	10 - 11				
7DH-E1610-00	3 - 5	7CN-E4412-20	7 - 5	7CN-G1240-00	4 - 17	93102-25806	10 - 3				
7DH-E1610-10	3 - 5	7CN-E4422-30	7 - 9	7CN-G1271-00	4 - 24	93104-06800	10 - 4				
7DH-E1610-20	3 - 5	7BN-E4445-00	7 - 15	7CN-H2370-10	12 - 7	93210-13801	10 - 18				
7DH-E1631-00-AO	3 - 4	7CN-E4451-20	7 - 7	7CP-H2372-00	12 - 8	93306-205XV	10 - 2				
7CN-E1633-00	3 - 6	7CN-E4468-20	7 - 6	7CN-H2550-00	13 - 1		10 - 10				
7DH-E1635-00	3 - 4	7CN-E4477-00	7 - 12	7CN-H5640-00	12 - 2	93440-06826	4 - 5				
7DH-E1636-00	3 - 4	7BN-E4583-11	7 - 14	7DH-H5650-00	12 - 1	93450-17828	3 - 7				
7CN-E1650-10	3 - 2	7CN-E4613-00	9 - 8	90105-06864	1 - 14	94702-00819	1 - 8				
7CN-E1654-00	3 - 3	7CN-E4708-00	9 - 2		6 - 2	95307-10700	11 - 17				
7CN-E1913-00	4 - 2	7DH-E4711-00	9 - 1		6 - 4	95704-06500	13 - 2				
7CN-E1914-00	4 - 3	7DH-E4922-00	8 - 4		11 - 4	95707-06500	7 - 13				
7CN-E1917-00	4 - 7	7DH-E495H-4A	8 - 12	90105-06865	6 - 17	95827-06020	12 - 3				
7CN-E1922-00	4 - 8	7DH-E5121-00	10 - 1		9 - 5	95827-08045	1 - 6				
7CN-E1924-10	4 - 11	7DH-E5187-00	10 - 5	90105-06866	11 - 19	95827-08065	1 - 5				
7CN-E1925-00	4 - 20	7CN-E5362-00	10 - 17	90105-08895	10 - 14	97027-06010	9 - 3				
7CN-E1928-00	4 - 15	7CN-E5362-10	10 - 15	90105-08899	11 - 8	97027-06030	4 - 12				
7CN-E1970-00	4 - 1	7CN-E5411-20	10 - 8	90116-06807	1 - 3	98507-05025	4 - 18				
7CN-E1971-00	10 - 9	7CN-E5451-00	10 - 13	90116-06812	1 - 2	99530-08016	10 - 7				
7DH-E2111-00	5 - 3	7DH-E5710-00	6 - 5	90122-06017	7 - 8	99530-10114	1 - 7				
7CN-E2117-00	5 - 7	7CP-E5711-00	6 - 6	90157-05003	4 - 22						
7CN-E2118-00	5 - 8	7DH-E5713-00	6 - 9	90157-06810	13 - 3						
7CN-E2119-00	5 - 15	7DH-E5714-00	6 - 7	90170-06808	9 - 7						
7CN-E2121-00	5 - 4	7DH-E5715-00	6 - 11	90170-14800	12 - 4						
7CN-E2151-00	5 - 9	7DH-E5716-00	6 - 12	90173-06802	4 - 14						
7CN-E2153-00	5 - 5	7DH-E5719-00	6 - 14	90201-06380	7 - 11						
7CN-E2154-00	5 - 14	7DH-E5723-00	6 - 18	90201-06842	4 - 4						
7CN-E2155-01	5 - 13	7DH-E5741-00	6 - 8		4 - 6						
7CN-E2157-00	5 - 11	7DH-E5743-00	6 - 10	90201-06843	9 - 6						