



# PARTS CATALOGUE

## MZ175AAZB0 (7CNJ) EUROPE

---



1P7CN-300E1

( )

MZ175AAZB0  
PARTS CATALOGUE  
©2015 by Yamaha Motor Co., Ltd.  
1st edition, October 2015  
All rights reserved.  
Any reprinting or unauthorized use  
without the written permission of  
Yamaha Motor Co., Ltd.  
is expressly prohibited.  
Printed in Japan.

# FOREWORD

This Parts Catalogue is related to the parts for the model(s) on the cover page. When you are ordering replacement parts, please refer to this Parts Catalogue and quote both part numbers and part names correctly.

1. Modifications or additions which have been made after the issue of the Parts Catalogue will be announced in the Parts News.

It is advisable that you make the necessary corrections to the Parts Catalogue according to the Parts News.

2. Abbreviations

The following abbreviations are used in this Parts Catalogue.

“UR” Use specified parts number.

“UN” Use as many as needed.

“AP” Alternate Parts

“LM” Locally Made (Parts need to be ordered locally)

“F#” Frame No. (Applicable machine No.)

“O/S” Over Size

3. The number of components for assembly

- Parts, which are to be supplied in an assembly, are listed with a dot (.) in front of the part name as shown below.
- The numeral appearing to the right of each component part indicates the quantity of parts for each assembly unit.

PART NO.	DESCRIPTION	Q'TY	REMARKS
2F5-83310-60	FRONT FLASHER LIGHT ASSY	2	
115-83311-60	.BULB (6V-18W)	1	

4. Applicable colours of graphics are represented in the “REMARKS” as shown below.

PART NO.	DESCRIPTION	Q'TY	REMARKS
2N4-24110-00-X5	FUEL TANK COMP.	2	MXR
3J1-24240-10	.GRAPHIC, FUEL TANK	1	FOR MXR

5. Note that the illustrations for reference in finding parts numbers are not to be used for assembling. When assembling, please use the applicable service manual.

6. The asterisk (\*) before a reference number indicates modified items after the first edition.



## FOREWORD

Engine Serial No.

This parts catalogue is related to the parts for the models in the list below.

MODEL CODE	MODEL NAME	SPECIFICATION (OUT LINE)	ENGINE SERIAL NO.
7CNJ	MZ175AAZB0	P.T.O. SHAFT A TYPE, MOUNT FACE (UNF)	7CNJ-3000101

# CONTENTS

CYLINDER .....	1
CRANKSHAFT .....	2
CRANKSHAFT & PISTON .....	3
GOVERNOR .....	4
CAMSHAFT & VALVE .....	5
AIR SHROUD & STARTER .....	6
INTAKE .....	7
CARBURETOR .....	8
EXHAUST .....	9
CRANKCASE .....	10
FUEL TANK .....	11
TCI MAGNETO .....	12
ELECTRICAL .....	13
EMBLEM & LABEL .....	14

## INDEX

NUMERICAL INDEX .....	15
-----------------------	----

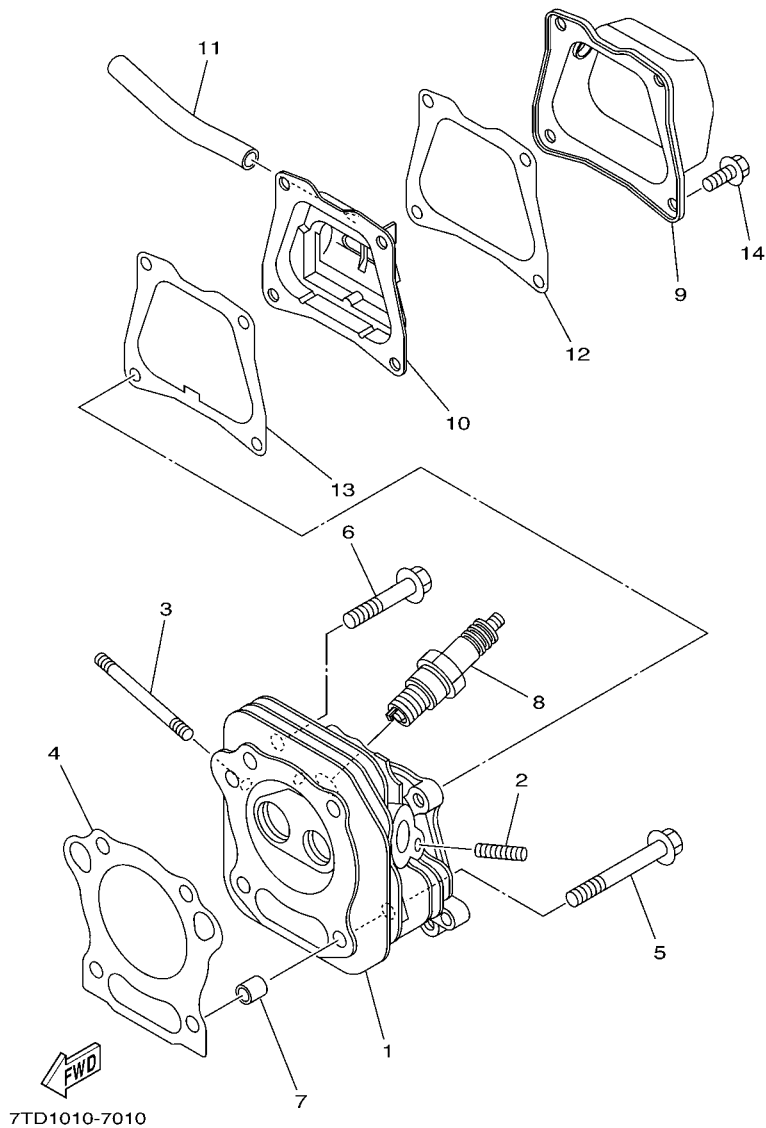
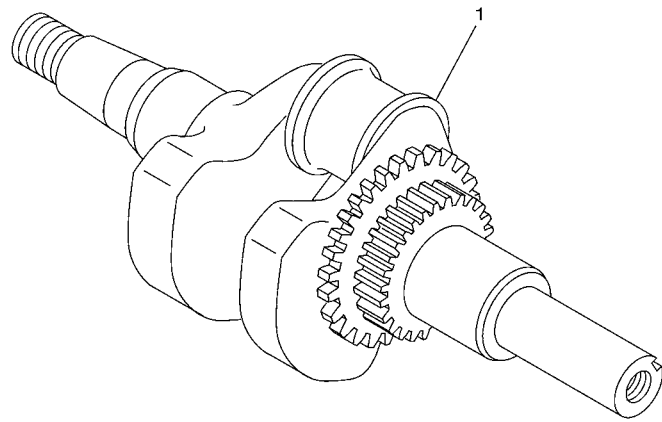
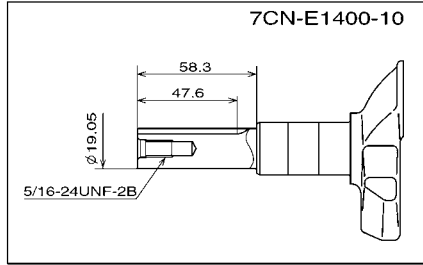


FIG. 1 CYLINDER

REF. NO.	PART NO.	DESCRIPTION	7CNJ				REMARKS
1	7CN-E1111-01	HEAD, CYLINDER 1	1				
2	95602-06615	BOLT, STUD	2				
3	90116-06807	BOLT, STUD	2				
4	7CN-E1181-01	GASKET, CYLINDER HEAD 1	1				
5	95822-08065	BOLT, FLANGE	2				
6	95822-08045	BOLT, FLANGE	2				
7	99530-10114	PIN, DOWEL	2				
8	94702-00331	PLUG, SPARK (NGK BPR4ES)	1				
9	7CN-E1191-00	COVER, CYLINDER HEAD 1	1				
10	7CN-E1160-00	BREATHER ASSY	1				
11	90445-13800	HOSE	1				
12	7CN-E1169-01	GASKET, BREATHER COVER	1				
13	7CN-E1193-00	GASKET, HEAD COVER 1	1				
14	95822-06012	BOLT, FLANGE	4				

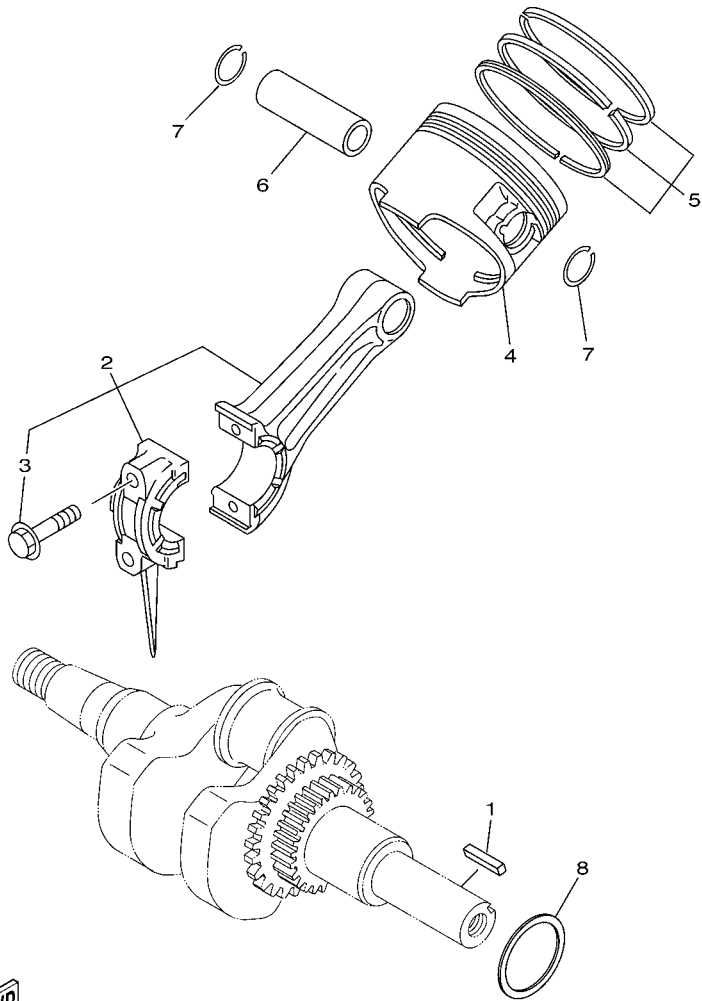
FIG. 2 CRANKSHAFT



7BP1110-D020

REF. NO.	PART NO.	DESCRIPTION	TCNJ				REMARKS
1	7CN-E1400-10	CRANKSHAFT ASSY	1				

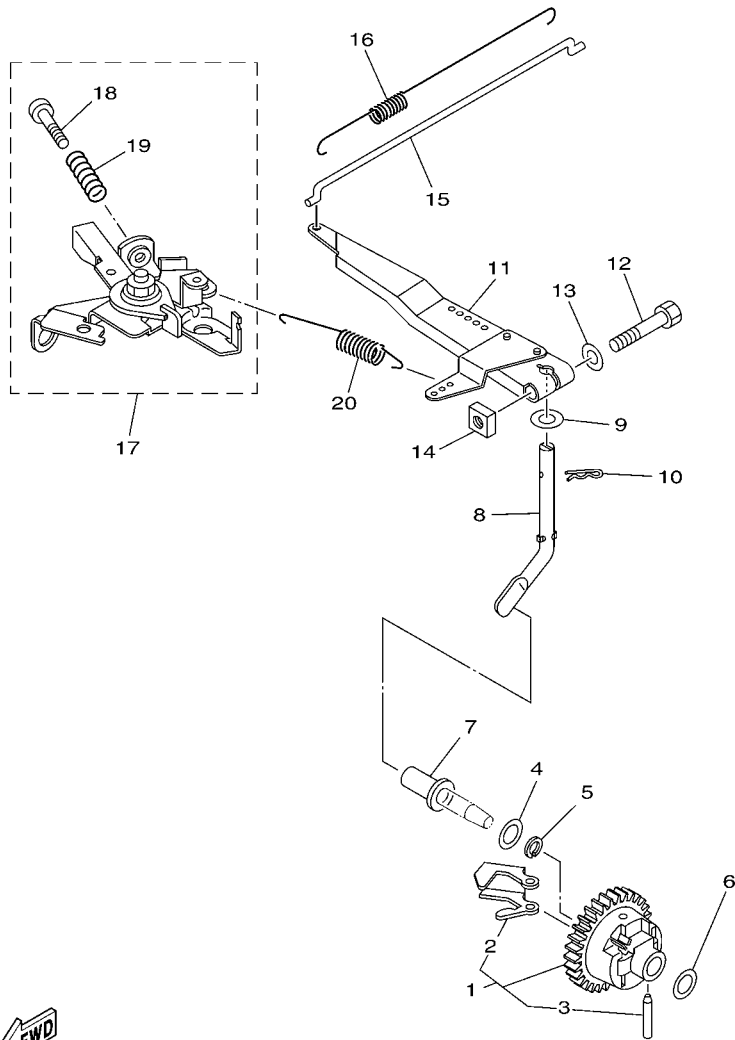




7CN1200-C030

**FIG. 3 CRANKSHAFT & PISTON**

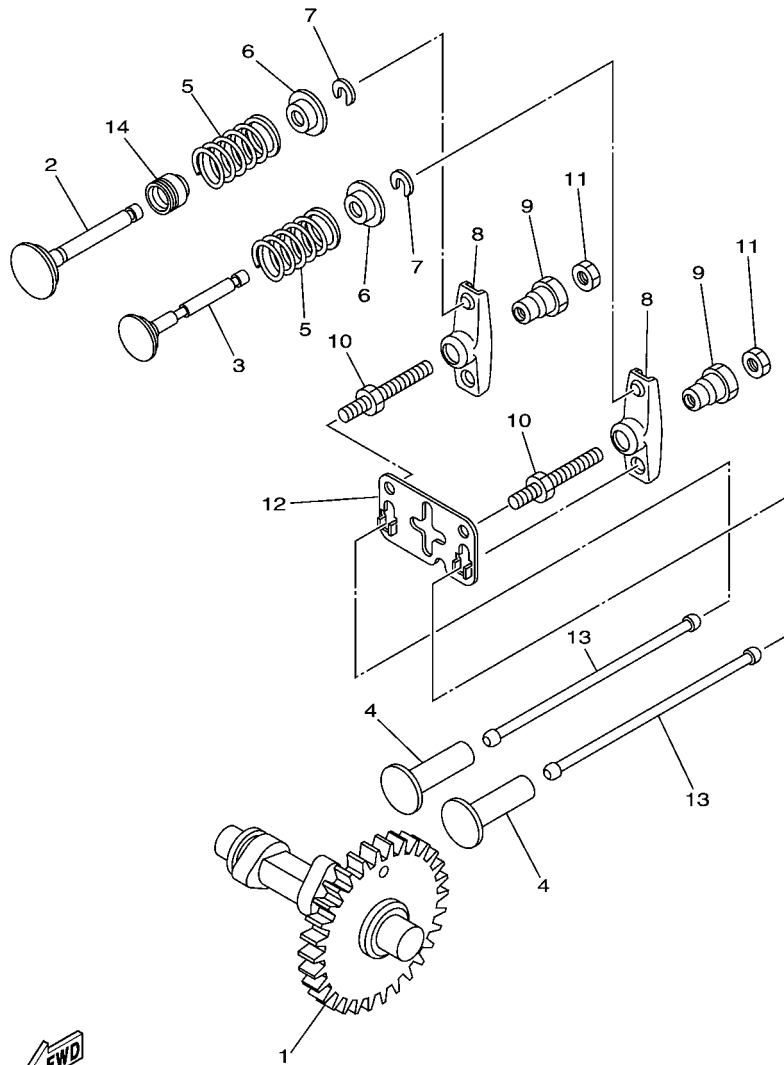
REF. NO.	PART NO.	DESCRIPTION	7CNJ				REMARKS
1	90282-05035	KEY, STRAIGHT (4.7MMX35MM)	1				
2	7CN-E1650-11	CONNECTING ROD ASSY	1				
3	7CN-E1654-00	.BOLT, CONNECTING ROD	2				
4	7CN-E1631-10-A0	PISTON (STD)	1				
	7CN-E1635-00	PISTON (0.25MM O/S)	1				AP
	7CN-E1636-00	PISTON (0.50MM O/S)	1				AP
5	7CN-E1610-00	PISTON RING SET (STD)	1				
	7CN-E1610-10	PISTON RING SET (0.25MM O/S)	1				AP
	7CN-E1610-20	PISTON RING SET (0.50MM O/S)	1				AP
6	7CN-E1633-00	PIN, PISTON	1				
7	93450-17828	CIRCLIP	2				
8	7CN-E1561-00	SHIM, CRANK 1 (T=0.1)	1				UN



7CNF415-D040

FIG. 4 GOVERNOR

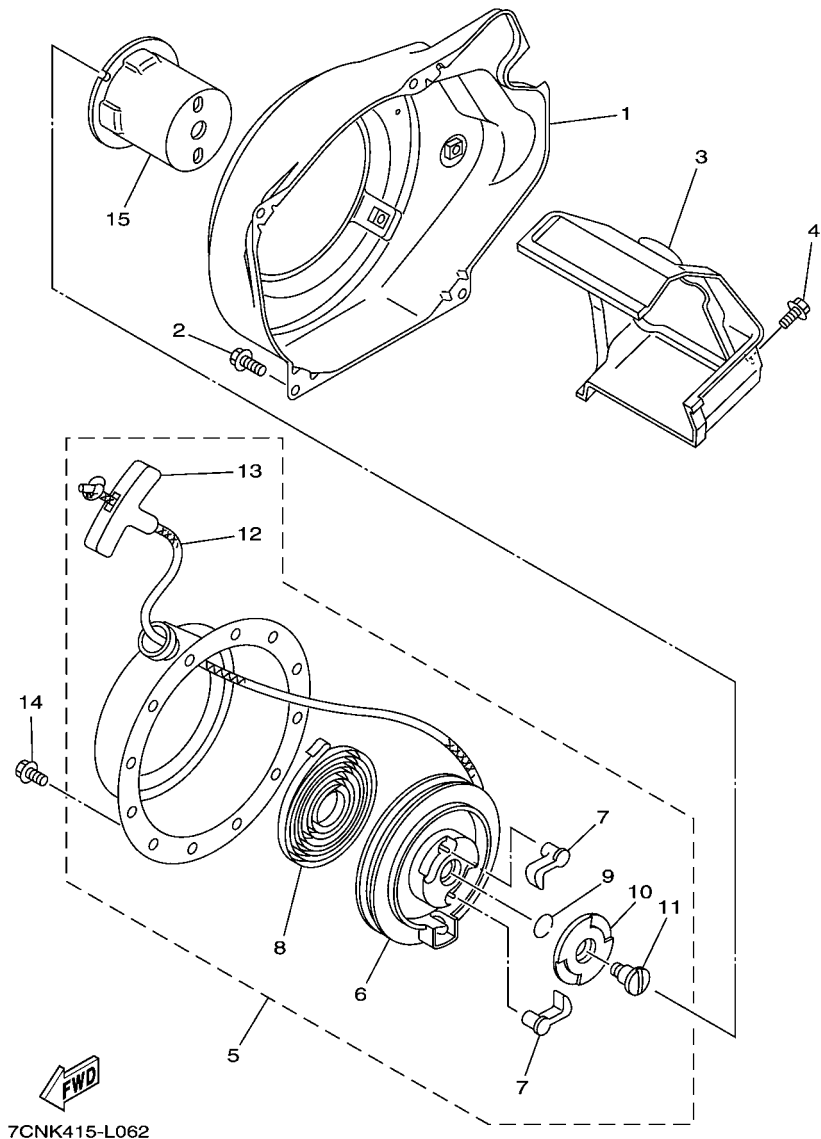
REF. NO.	PART NO.	DESCRIPTION	7CNJ				REMARKS
1	7CN-E1970-00	FLYWEIGHT SHAFT ASSY	1				
2	7CN-E1913-00	.WEIGHT	2				
3	7CN-E1914-00	.SHAFT, WEIGHT	2				
4	90201-06842	WASHER, PLATE	1				
5	93440-06826	CIRCLIP	1				
6	90201-06842	WASHER, PLATE	1				
7	7CN-E1917-00	COLLAR	1				
8	7CN-E1922-00	FORK, GOVERNOR	1				
9	92902-06200	WASHER	1				
10	90468-18800	CLIP	1				
11	7CN-E1924-10	ARM, GOVERNOR	1				
12	97022-06030	BOLT, HEXAGON	1				
13	92902-06600	WASHER, PLATE	1				
14	90173-06802	NUT, SQUARE	1				
15	7CN-E1928-00	ROD, LINK	1				
16	90506-04800	SPRING, TENSION	1				
17	7CN-G1240-00	THROTTLE LEVER COMP.	1				
18	98502-05025	.SCREW, PAN HEAD	1				
19	90501-090A8	.SPRING, COMPRESSION	1				
20	7CN-E1925-00	SPRING, GOVERNOR	1				



7VUG110-K030

FIG. 5 CAMSHAFT & VALVE

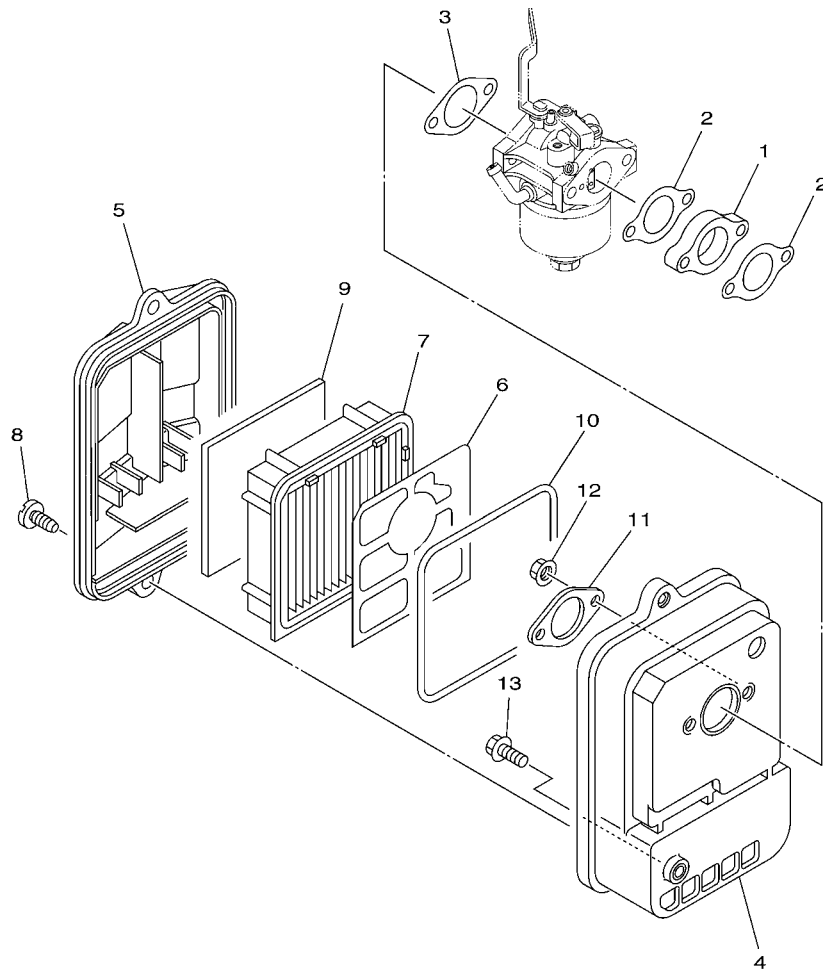
REF. NO.	PART NO.	DESCRIPTION	7CNJ				REMARKS
1	7CN-E2170-00	CAMSHAFT ASSY 1	1				
2	7CN-E2111-00	VALVE, INTAKE	1				
3	7CN-E2121-00	VALVE, EXHAUST	1				
4	7CN-E2153-00	LIFTER, VALVE	2				
5	90501-20800	SPRING, COMPRESSION	2				
6	7CN-E2117-00	RETAINER, VALVE SPRING	2				
7	7CN-E2118-00	LOCK, VALVE SPRING RETAINER	2				
8	7CN-E2151-00	ARM, VALVE ROCKER	2				
9	7CN-E2165-00	PIVOT, ROCKER ARM	2				
10	7CN-E2157-01	BOLT	2				
11	7CN-E2158-01	NUT, LOCK	2				
12	7CN-E2155-01	GUIDE, PUSH ROD	1				
13	7CN-E2154-00	ROD, VALVE PUSH	2				
14	7DH-E2119-01	SEAL, VALVE STEM	1				



7CNK415-L062

FIG. 6 AIR SHROUD & STARTER

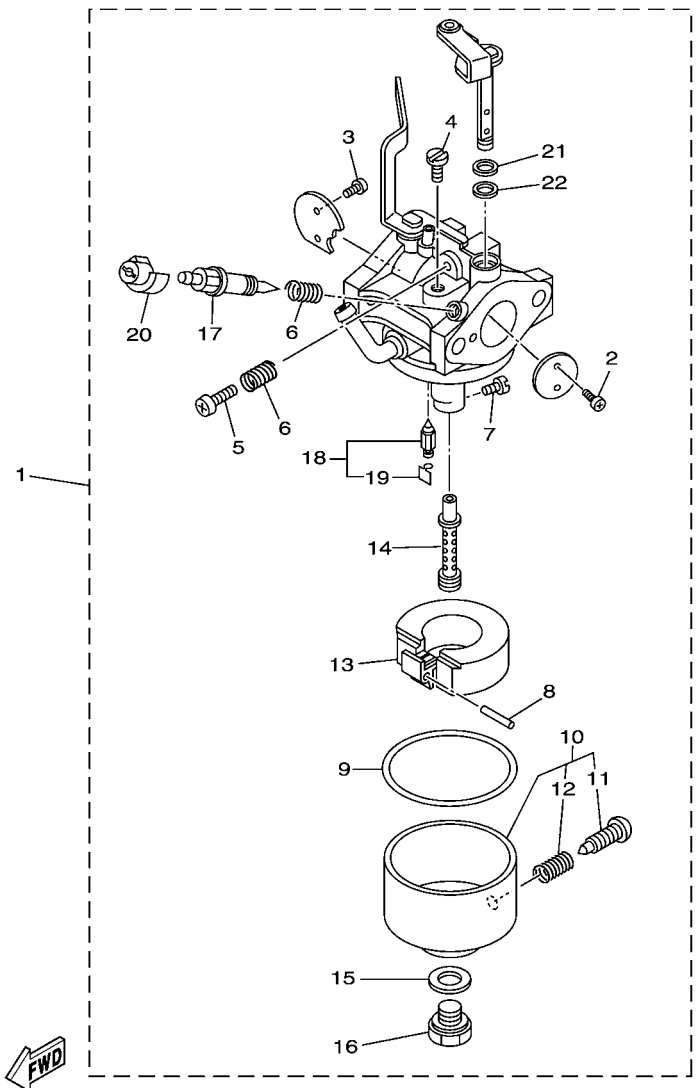
REF. NO.	PART NO.	DESCRIPTION	7CNJ				REMARKS
1	7CN-E2621-00	CASE, FAN	1				
2	95802-06012	BOLT, FLANGE	4				
3	7CN-E2651-01	AIR SHROUD, CYLINDER 1	1				
4	95822-06012	BOLT, FLANGE	2				
5	7CN-E5710-02	STARTER ASSY	1				
6	7CN-E5714-02	.DRUM, SHEAVE	1				
7	7CN-E5741-01	.PAWL, DRIVE	2				
8	7CN-E5713-00	.SPRING, STARTER	1				
9	7CN-E5715-00	.SPRING, FRICTION	1				
10	7CN-E5716-01	.PLATE, DRIVE	1				
11	7CN-E5793-00	.SCREW	1				
12	7CN-E5751-00	.WIRE, STARTER	1				
13	7CN-E5755-00	.HANDLE, STARTER	1				
14	95802-06008	BOLT, FLANGE	3				
15	7CN-E5723-01	PULLEY, STARTER	1				



  
 7CN2400-D070

**FIG. 7 INTAKE**

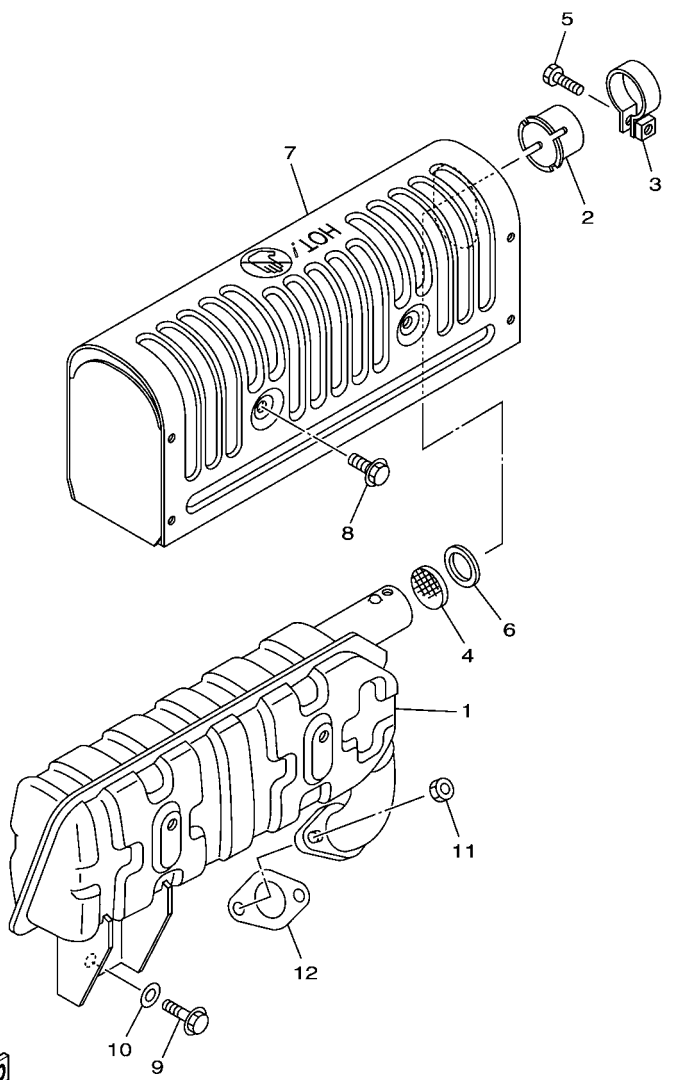
REF. NO.	PART NO.	DESCRIPTION	7CNJ				REMARKS
1	7CN-E3596-00	JOINT, CARBURETOR 2	1				
2	7CN-E3557-01	GASKET	2				
3	7CN-E3567-01	GASKET	1				
4	7CN-E4411-00	CASE, AIR CLEANER 1	1				
5	7CN-E4412-00	CAP, CLEANER CASE 1	1				
6	7CN-E4468-01	PLATE,ELEMENT FITTING	1				
7	7CN-E4451-10	ELEMENT, AIR CLEANER	1				
8	90154-06823	SCREW, BINDING	2				
9	7CN-E4461-10	ELEMENT, AIR CLEANER 2	1				
10	7CN-E4462-10	SEAL	1				
11	7CN-E4477-00	PLATE	1				
12	95702-06500	NUT, FLANGE	2				
13	95802-06016	BOLT, FLANGE	1				



7CNK415-L082

FIG. 8 CARBURETOR

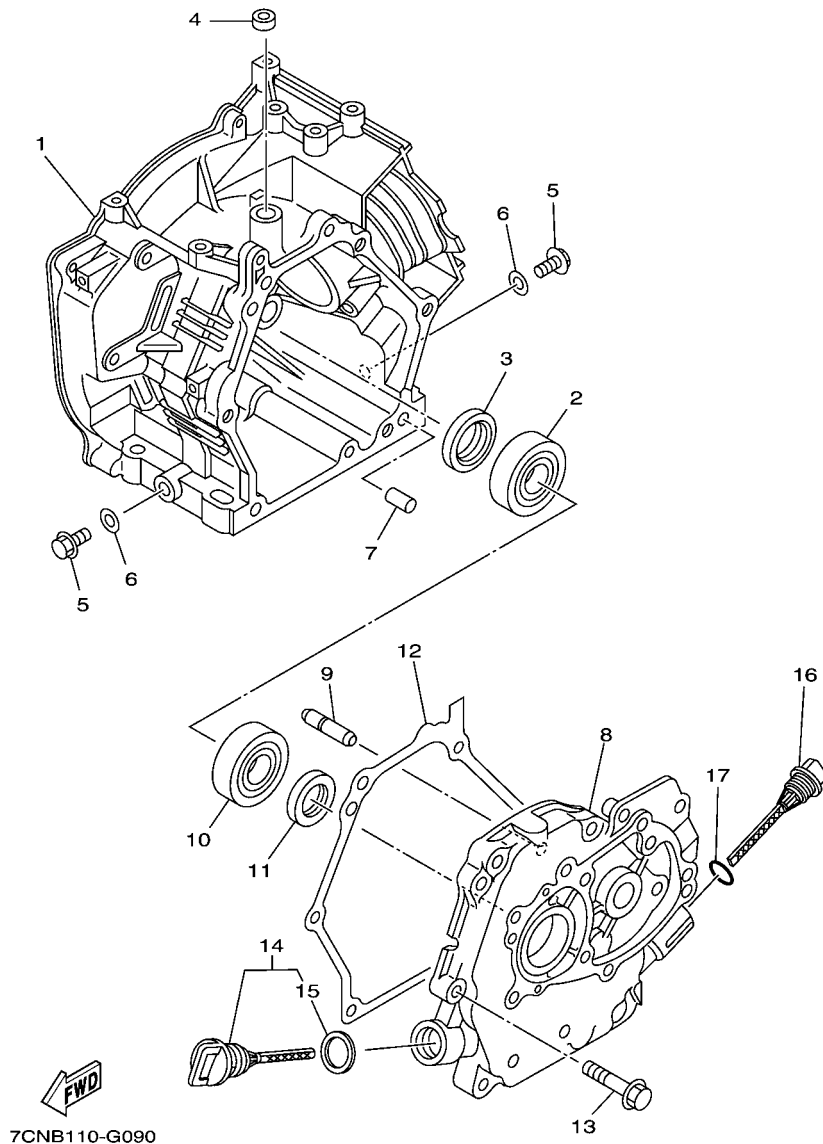
REF. NO.	PART NO.	DESCRIPTION	7CNJ				REMARKS
1	7CN-E4101-42	CARBURETOR ASSY 1	1				
2	7RH-14216-00	.SCREW	2				
3	7RH-14486-00	.SCREW, ROD	2				
4	620-14142-37-A0	.JET, PILOT (#37.5)	1				
5	1WG-14922-00	.SCREW, THROTTLE	1				
6	73A-14212-00	.SPRING	2				
7	1HX-1423A-69-A0	.JET, MAIN (# 92.5)	1				
8	22F-14186-00	.PIN, FLOAT	1				
9	7CN-E4997-00	.SEAL	1				
10	7EG-14181-00	.BODY, FLOAT CHAMBER 1	1				
11	7E1-14191-00	..PLUG, DRAIN	1				
12	73A-14212-00	..SPRING	1				
13	7LG-14185-00	.FLOAT	1				
14	7NN-1495F-1B	.NOZZLE, MAIN	1				
15	7G0-14227-00	.WASHER	1				
16	7NJ-14162-00	.BOLT, HOLDING	1				
17	7NJ-14211-00	.SCREW, PILOT ADJUSTING	1				
18	7LG-14150-11	.NEEDLE ASSY	1				
19	7EG-14159-00	..CLIP	1				
20	7LV-14118-00	.CAP	1				
21	22F-14953-00	.WASHER	1				
22	6K8-14597-10	.WASHER	1				



7DHJ400-K090

FIG. 9 EXHAUST

REF. NO.	PART NO.	DESCRIPTION	7CNJ				REMARKS
1	7CN-E4711-00	MUFFLER 1	1				
2	7CA-E4799-00	CAP	1				
3	7CA-E4788-00	BAND, SILENCER	1				
4	7CA-E479E-00	NET, WIRE 2	1				
5	90153-05800	SCREW, HEXAGON	1				
6	90201-17802	WASHER, PLATE	1				
7	7CN-E4708-01	PROTECTOR ASSY	1				
8	95822-06008	BOLT, FLANGE	4				
9	95822-06016	BOLT, FLANGE	1				
10	90201-06843	WASHER, PLATE	1				
11	95302-06600	NUT, HEXAGON	2				
12	7CN-E4613-00	GASKET, EXHAUST PIPE	1				

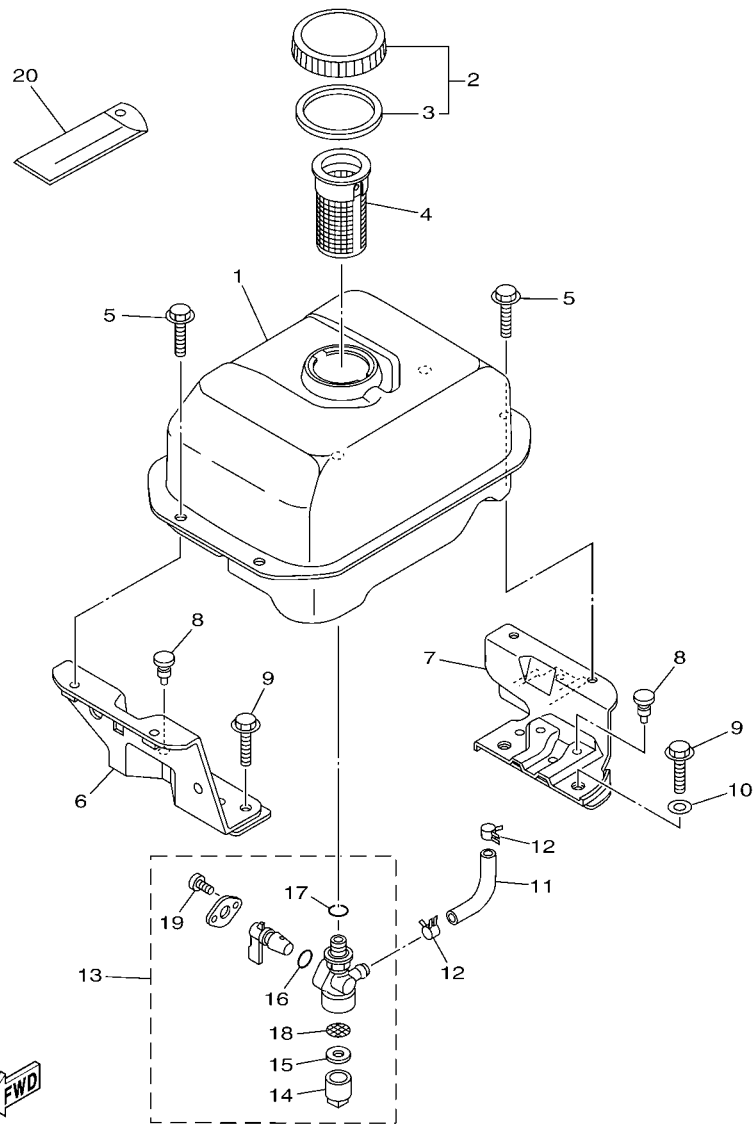


7CNB110-G090

FIG. 10 CRANKCASE

REF. NO.	PART NO.	DESCRIPTION	7CNJ				REMARKS
1	7CN-E5111-70	CRANKCASE 1	1				
2	93306-205XE	BEARING	1				
3	93102-25806	OIL SEAL	1				
4	93104-06800	OIL SEAL	1				
5	95022-10016	BOLT, FLANGE	2				
6	90430-10801	GASKET	2				
7	99530-08016	PIN, DOWEL	2				
8	7CN-E5411-50	COVER, CRANKCASE 1	1				
9	7CN-E1971-00	SHAFT, FLYWEIGHT	1				
10	93306-205XE	BEARING	1				
11	93102-25805	OIL SEAL	1				
12	7CN-E5451-01	GASKET, CRANKCASE COVER 1	1				
13	95822-08035	BOLT, FLANGE	6				
14	7BX-E536A-00	PLUG, OIL LEVEL	1				
15	90430-17801	.GASKET	1				
16	7CN-E5362-00	PLUG, OIL LEVEL	1				
17	93210-13801	O-RING	1				

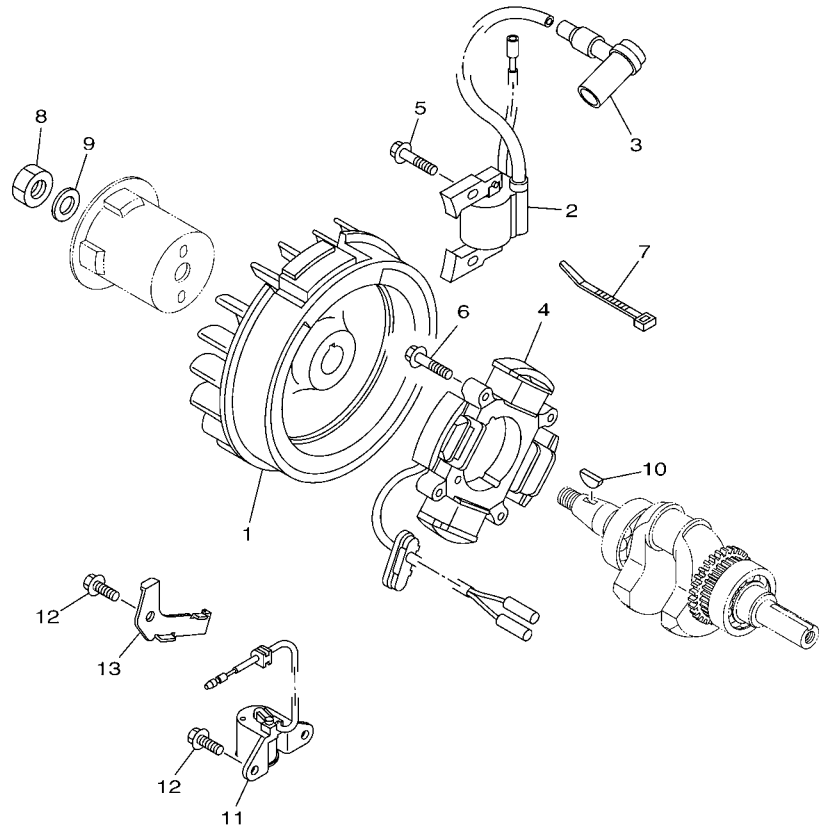




7CNJ300-P110

FIG. 11 FUEL TANK

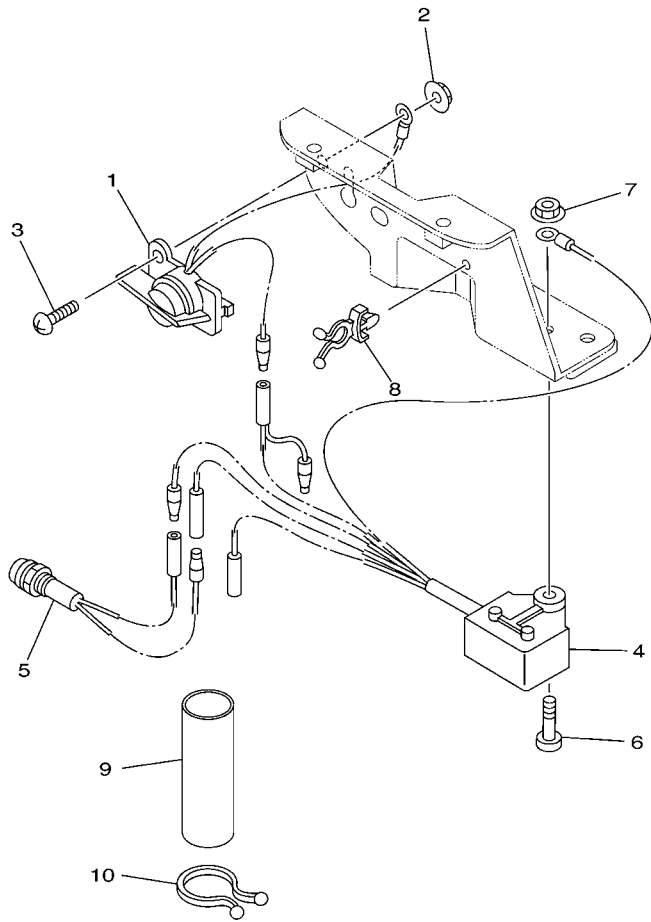
REF. NO.	PART NO.	DESCRIPTION	7CNJ				REMARKS
1	7CN-F4110-00	FUEL TANK COMP.	1				
2	7CN-F4610-01	CAP ASSY	1				
3	7CN-F4612-01	.PACKING, CAP	1				
4	7CN-F4167-00	STRAINER	1				
5	95822-06012	BOLT, FLANGE	4				
6	7CN-F4115-00	STAY, FUEL TANK 1	1				
7	7CN-F4116-00	STAY, FUEL TANK 2	1				
8	90338-05800	PLUG	3				
9	95822-08020	BOLT, FLANGE	4				
10	90201-08826	WASHER, PLATE	3				
11	7CN-F4311-00	PIPE, FUEL 1	1				
12	90467-09806	CLIP	2				
13	7CN-F4500-00	FUEL COCK ASSY 1	1				
14	7J3-24521-00	.CUP, FILTER	1				
15	4X8-24565-00	.GASKET	1				
16	7NJ-24534-00	.SEAL, COCK	1				
17	7NJ-24532-00	.GASKET	1				
18	7NJ-24515-01	.NET, FILTER 2	1				
19	98507-03008	.SCREW, PAN HEAD	2				
20	7CA-F8100-01	TOOL KIT	1				



  
 7CNJ300-P120

**FIG. 12 TCI MAGNETO**

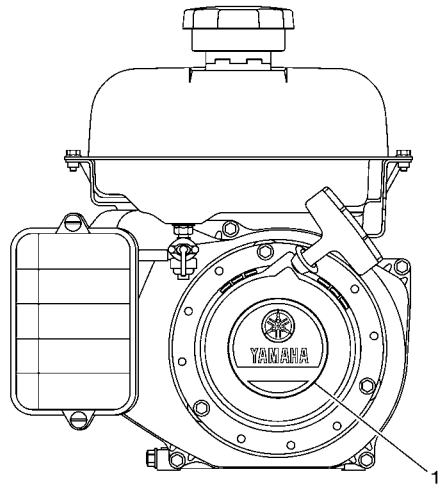
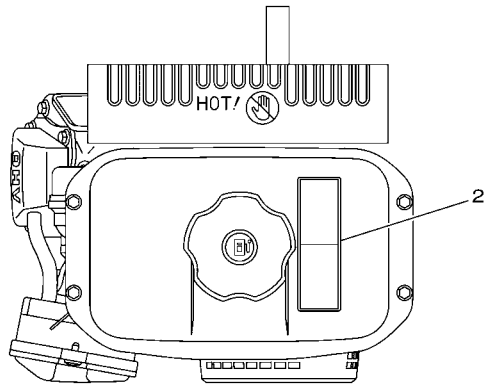
REF. NO.	PART NO.	DESCRIPTION	7CNJ				REMARKS
1	7CN-H5650-30	ROTOR ASSY	1				
2	7CN-H5640-01	T.C.I. UNIT ASSY	1				
3	7CN-H2370-00	PLUG CAP ASSY	1				
4	7BN-H1410-00	STATOR ASSY	1				
5	95822-06020	BOLT, FLANGE	2				
6	90109-06881	BOLT	4				
7	7CN-H7188-00	BINDER	1				
8	90170-14800	NUT	1				
9	92902-14200	WASHER	1				
10	90280-04801	KEY, WOODRUFF	1				
11	7CN-H5720-00	OIL LEVEL GAUGE ASSY	1				
12	95822-06012	BOLT, FLANGE	3				
13	7CN-H5724-00	CLAMP	1				



7CNB400-C140

FIG. 13 ELECTRICAL

REF. NO.	PART NO.	DESCRIPTION	7CNJ				REMARKS
1	7CN-H2550-00	ENGINE STOP SWITCH ASSY	1				
2	95704-06500	NUT, FLANGE	1				
3	98502-06014	SCREW, PAN HEAD	1				
4	7CN-H5690-00	OIL WARNING UNIT	1				
5	7CA-H5770-01	OIL PILOT LIGHT ASSY	1				
6	98502-06020	SCREW, PAN HEAD	1				
7	95704-06500	NUT, FLANGE	1				
8	90464-07803	CLAMP	1				
9	7CN-H2599-00	COVER, CONNECTER	1				
10	90464-23800	CLAMP	1				



7CNJ300-P140

FIG. 14 EMBLEM & LABEL

REF. NO.	PART NO.	DESCRIPTION	7CNJ				REMARKS
1	7CN-E2629-20	EMBLEM (MZ175)	1				
2	7CN-F4162-40	EMBLEM 2 (WARNING)	1				

NUMERICAL INDEX

PART NO.	REF. NO.	PART NO.	REF. NO.	PART NO.	REF. NO.	PART NO.	REF. NO.	PART NO.	REF. NO.	PART NO.	REF. NO.
7LV-14118-00	8 - 20	7CN-E1928-00	4 - 15	7CN-E5741-01	6 - 7	90501-20800	5 - 5				
620-14142-37-A0	8 - 4	7CN-E1970-00	4 - 1	7CN-E5751-00	6 - 12	90506-04800	4 - 16				
7LG-14150-11	8 - 18	7CN-E1971-00	10 - 9	7CN-E5755-00	6 - 13	92902-06200	4 - 9				
7EG-14159-00	8 - 19	7CN-E2111-00	5 - 2	7CN-E5793-00	6 - 11	92902-06600	4 - 13				
7NJ-14162-00	8 - 16	7CN-E2117-00	5 - 6	7CN-F4110-00	11 - 1	92902-14200	12 - 9				
7EG-14181-00	8 - 10	7CN-E2118-00	5 - 7	7CN-F4115-00	11 - 6	93102-25805	10 - 11				
7LG-14185-00	8 - 13	7DH-E2119-01	5 - 14	7CN-F4116-00	11 - 7	93102-25806	10 - 3				
22F-14186-00	8 - 8	7CN-E2121-00	5 - 3	7CN-F4162-40	14 - 2	93104-06800	10 - 4				
7E1-14191-00	8 - 11	7CN-E2151-00	5 - 8	7CN-F4167-00	11 - 4	93210-13801	10 - 17				
7NJ-14211-00	8 - 17	7CN-E2153-00	5 - 4	7CN-F4311-00	11 - 11	93306-205XE	10 - 2				
73A-14212-00	8 - 6	7CN-E2154-00	5 - 13	7CN-F4500-00	11 - 13		10 - 10				
	8 - 12	7CN-E2155-01	5 - 12	7CN-F4610-01	11 - 2	93440-06826	4 - 5				
7RH-14216-00	8 - 2	7CN-E2157-01	5 - 10	7CN-F4612-01	11 - 3	93450-17828	3 - 7				
7G0-14227-00	8 - 15	7CN-E2158-01	5 - 11	7CA-F8100-01	11 - 20	94702-00331	1 - 8				
1HX-1423A-69-A0	8 - 7	7CN-E2165-00	5 - 9	7CN-G1240-00	4 - 17	95022-10016	10 - 5				
7RH-14486-00	8 - 3	7CN-E2170-00	5 - 1	7BN-H1410-00	12 - 4	95302-06600	9 - 11				
6K8-14597-10	8 - 22	7CN-E2621-00	6 - 1	7CN-H2370-00	12 - 3	95602-06615	1 - 2				
1WG-14922-00	8 - 5	7CN-E2629-20	14 - 1	7CN-H2550-00	13 - 1	95702-06500	7 - 12				
22F-14953-00	8 - 21	7CN-E2651-01	6 - 3	7CN-H2599-00	13 - 9	95704-06500	13 - 2				
7NN-1495F-1B	8 - 14	7CN-E3557-01	7 - 2	7CN-H5640-01	12 - 2		13 - 7				
7NJ-24515-01	11 - 18	7CN-E3567-01	7 - 3	7CN-H5650-30	12 - 1	95802-06008	6 - 14				
7J3-24521-00	11 - 14	7CN-E3596-00	7 - 1	7CN-H5690-00	13 - 4	95802-06012	6 - 2				
7NJ-24532-00	11 - 17	7CN-E4101-42	8 - 1	7CN-H5720-00	12 - 11	95802-06016	7 - 13				
7NJ-24534-00	11 - 16	7CN-E4411-00	7 - 4	7CN-H5724-00	12 - 13	95822-06008	9 - 8				
4X8-24565-00	11 - 15	7CN-E4412-00	7 - 5	7CA-H5770-01	13 - 5	95822-06012	1 - 14				
7CN-E1111-01	1 - 1	7CN-E4451-10	7 - 7	7CN-H7188-00	12 - 7		6 - 4				
7CN-E1160-00	1 - 10	7CN-E4461-10	7 - 9	90109-06881	12 - 6		11 - 5				
7CN-E1169-01	1 - 12	7CN-E4462-10	7 - 10	90116-06807	1 - 3		12 - 12				
7CN-E1181-01	1 - 4	7CN-E4468-01	7 - 6	90153-05800	9 - 5	95822-06016	9 - 9				
7CN-E1191-00	1 - 9	7CN-E4477-00	7 - 11	90154-06823	7 - 8	95822-06020	12 - 5				
7CN-E1193-00	1 - 13	7CN-E4613-00	9 - 12	90170-14800	12 - 8	95822-08020	11 - 9				
7CN-E1400-10	2 - 1	7CN-E4708-01	9 - 7	90173-06802	4 - 14	95822-08035	10 - 13				
7CN-E1561-00	3 - 8	7CN-E4711-00	9 - 1	90201-06842	4 - 4	95822-08045	1 - 6				
7CN-E1610-00	3 - 5	7CA-E4788-00	9 - 3		4 - 6	95822-08065	1 - 5				
7CN-E1610-10	3 - 5	7CA-E4799-00	9 - 2	90201-06843	9 - 10	97022-06030	4 - 12				
7CN-E1610-20	3 - 5	7CA-E479E-00	9 - 4	90201-08826	11 - 10	98502-05025	4 - 18				
7CN-E1631-10-A0	3 - 4	7CN-E4997-00	8 - 9	90201-17802	9 - 6	98502-06014	13 - 3				
7CN-E1633-00	3 - 6	7CN-E5111-70	10 - 1	90280-04801	12 - 10	98502-06020	13 - 6				
7CN-E1635-00	3 - 4	7CN-E5362-00	10 - 16	90282-05035	3 - 1	98507-03008	11 - 19				
7CN-E1636-00	3 - 4	7BX-E536A-00	10 - 14	90338-05800	11 - 8	99530-08016	10 - 7				
7CN-E1650-11	3 - 2	7CN-E5411-50	10 - 8	90430-10801	10 - 6	99530-10114	1 - 7				
7CN-E1654-00	3 - 3	7CN-E5451-01	10 - 12	90430-17801	10 - 15						
7CN-E1913-00	4 - 2	7CN-E5710-02	6 - 5	90445-13800	1 - 11						
7CN-E1914-00	4 - 3	7CN-E5713-00	6 - 8	90464-07803	13 - 8						
7CN-E1917-00	4 - 7	7CN-E5714-02	6 - 6	90464-23800	13 - 10						
7CN-E1922-00	4 - 8	7CN-E5715-00	6 - 9	90467-09806	11 - 12						
7CN-E1924-10	4 - 11	7CN-E5716-01	6 - 10	90468-18800	4 - 10						
7CN-E1925-00	4 - 20	7CN-E5723-01	6 - 15	90501-090A8	4 - 19						