



PARTS CATALOGUE

MZ175N8KB2 (7CNF) CHN

MZ175N8KB2
PARTS CATALOGUE
©2013 by Yamaha Motor Co., Ltd.
1st edition, April 2013
All rights reserved.
Any reprinting or unauthorized use
without the written permission of
Yamaha Motor Co., Ltd.
is expressly prohibited.
Printed in Japan.

FOREWORD

This Parts Catalogue is related to the parts for the model(s) on the cover page. When you are ordering replacement parts, please refer to this Parts Catalogue and quote both part numbers and part names correctly.

1. Modifications or additions which have been made after the issue of the Parts Catalogue will be announced in the Parts News.

It is advisable that you make the necessary corrections to the Parts Catalogue according to the Parts News.

2. Abbreviations

The following abbreviations are used in this Parts Catalogue.

“UR” Use specified parts number.

“UN” Use as many as needed.

“AP” Alternate Parts

“LM” Locally Made (Parts need to be ordered locally)

“F#” Frame No. (Applicable machine No.)

“O/S” Over Size

3. The number of components for assembly

- Parts, which are to be supplied in an assembly, are listed with a dot (.) in front of the part name as shown below.
- The numeral appearing to the right of each component part indicates the quantity of parts for each assembly unit.

PART NO.	DESCRIPTION	Q'TY	REMARKS
2F5-83310-60	FRONT FLASHER LIGHT ASSY	2	
115-83311-60	.BULB (6V-18W)	1	

4. Applicable colours of graphics are represented in the “REMARKS” as shown below.

PART NO.	DESCRIPTION	Q'TY	REMARKS
2N4-24110-00-X5	FUEL TANK COMP.	2	MXR
3J1-24240-10	.GRAPHIC, FUEL TANK	1	FOR MXR

5. Note that the illustrations for reference in finding parts numbers are not to be used for assembling. When assembling, please use the applicable service manual.

6. The asterisk (*) before a reference number indicates modified items after the first edition.

FOREWORD

Engine Serial No.

This parts catalogue is related to the parts for the models in the list below.

MODEL CODE	MODEL NAME	SPECIFICATION (OUT LINE)	ENGINE SERIAL NO.
7CNF	MZ175N8KB2	P.T.O. MOUNT FACE (mm) TANK LESS	7CNF-3000101

CONTENTS

CYLINDER	1
CRANKSHAFT	2
CRANKSHAFT & PISTON	3
GOVERNOR	4
CAMSHAFT & VALVE	5
AIR SHROUD & STARTER	6
INTAKE	7
CARBURETOR	8
CRANKCASE	9
MAGNETO	10
BODY FITTING	11

INDEX

NUMERICAL INDEX	12
-----------------------	----

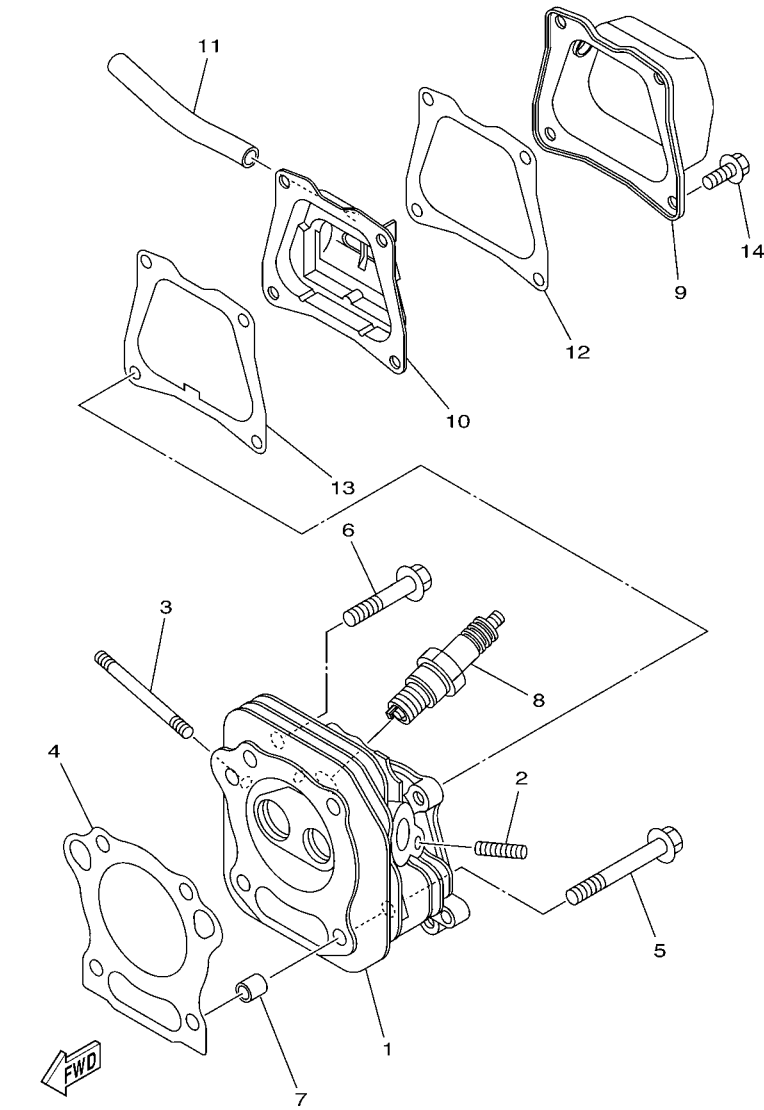
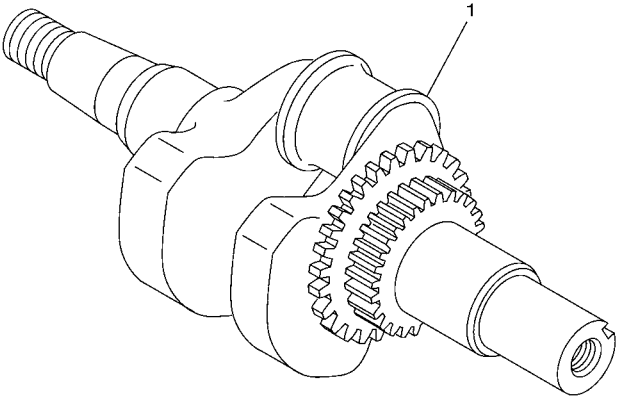
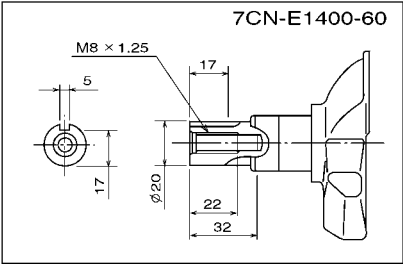


FIG. 1 CYLINDER

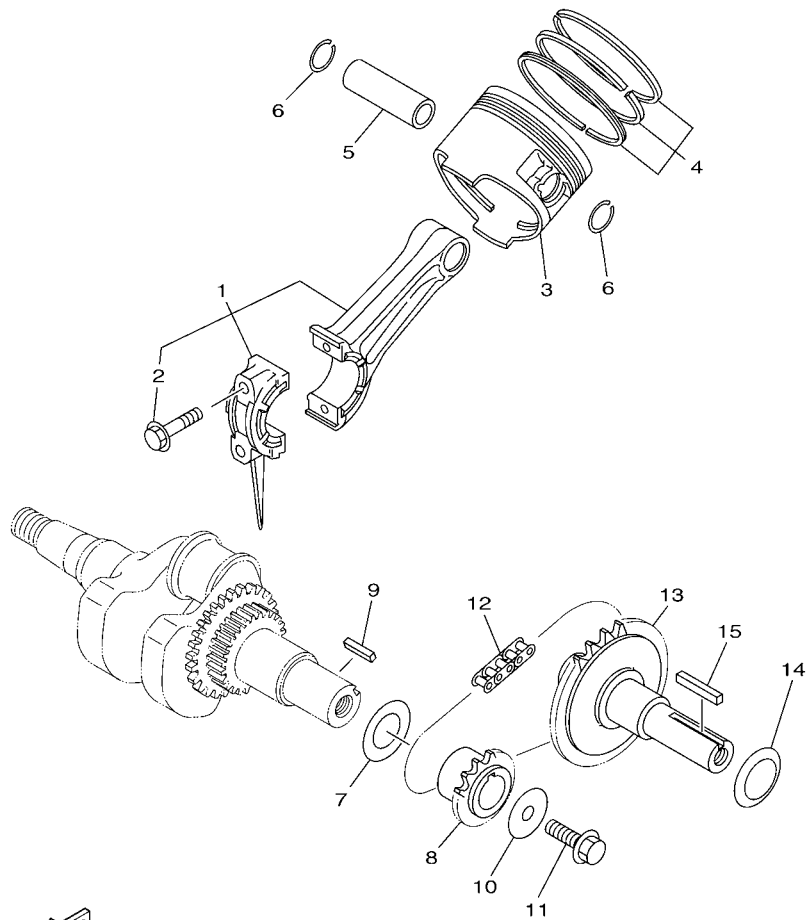
REF. NO.	PART NO.	DESCRIPTION	TCNF					REMARKS
1	7CN-E1111-01	HEAD, CYLINDER 1	1					
2	95602-06615	BOLT, STUD	2					
3	90116-06807	BOLT, STUD	2					
4	7CN-E1181-01	GASKET, CYLINDER HEAD 1	1					
5	95822-08065	BOLT, FLANGE	2					
6	95822-08045	BOLT, FLANGE	2					
7	99530-10114	PIN, DOWEL	2					
8	94702-00331	PLUG, SPARK (NGK BPR4ES)	1					
9	7CN-E1191-00	COVER, CYLINDER HEAD 1	1					
10	7CN-E1160-00	BREATHER ASSY	1					
11	90445-13800	HOSE	1					
12	7CN-E1169-01	GASKET, BREATHER COVER	1					
13	7CN-E1193-00	GASKET, HEAD COVER 1	1					
14	95822-06012	BOLT, FLANGE	4					

FIG. 2 CRANKSHAFT

REF. NO.	PART NO.	DESCRIPTION	7CNF				REMARKS
1	7CN-E1400-60	CRANKSHAFT ASSY	1				



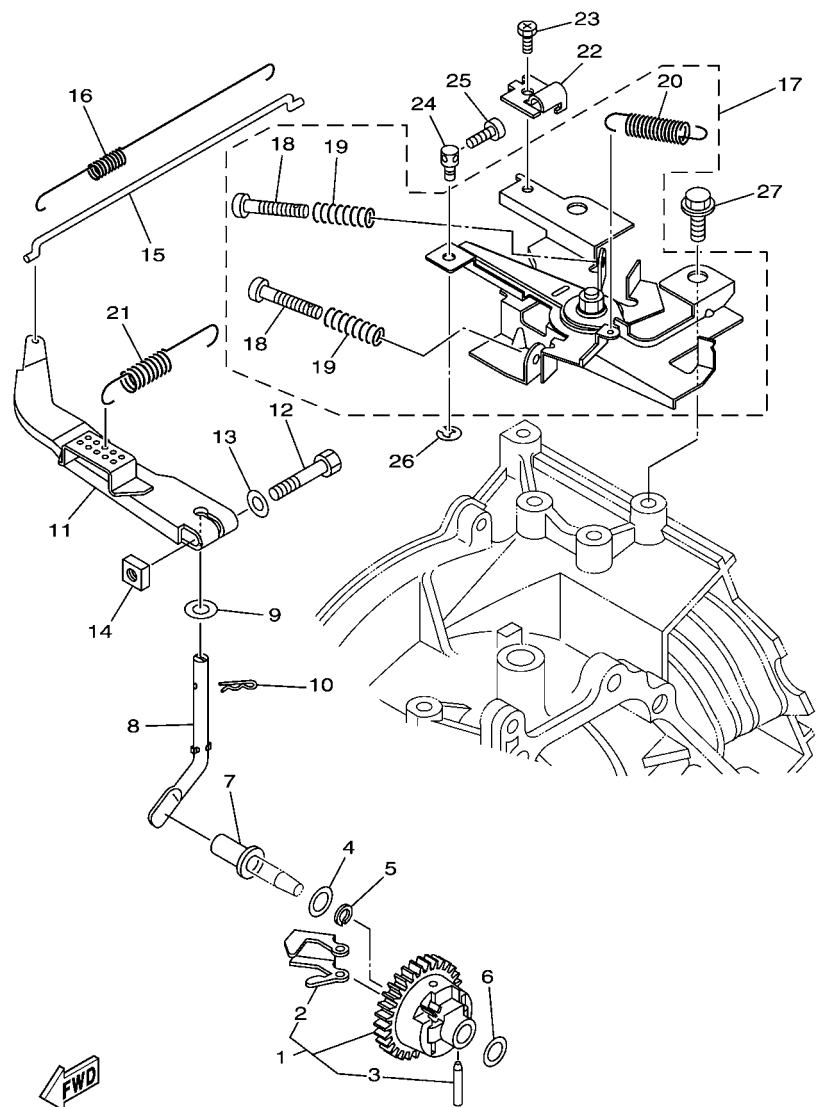
7CNF415-D020



7CNF415-D030

FIG. 3 CRANKSHAFT & PISTON

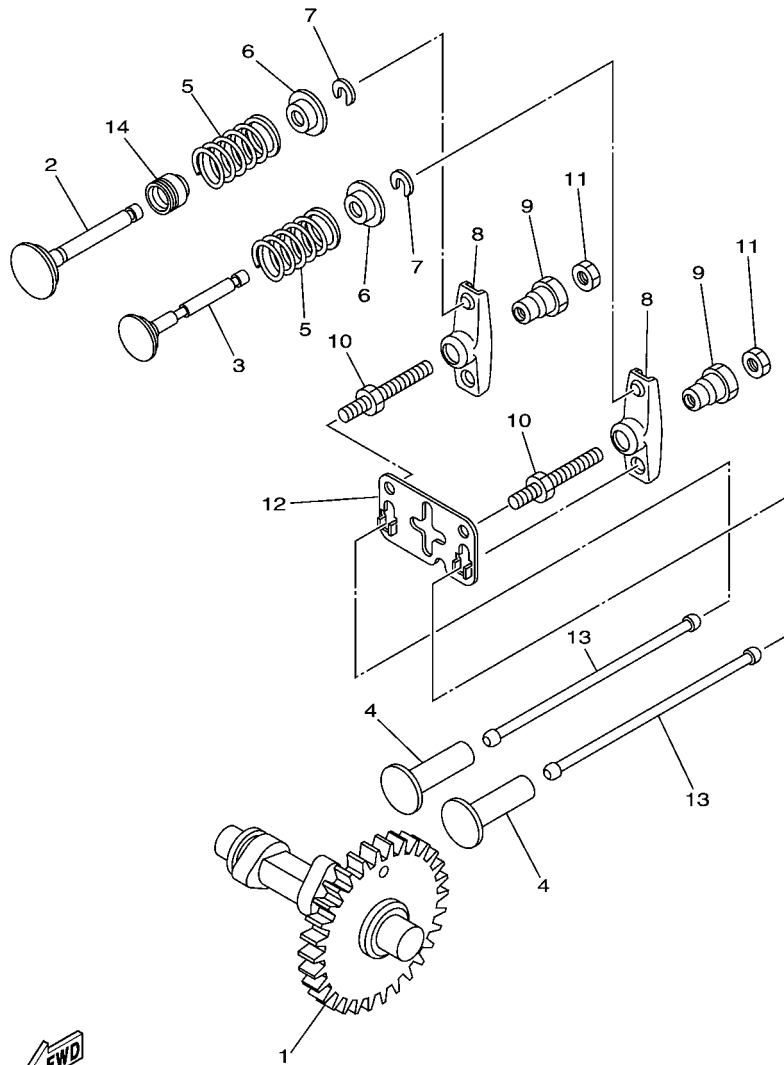
REF. NO.	PART NO.	DESCRIPTION	7CNF				REMARKS
1	7CN-E1650-11	CONNECTING ROD ASSY	1				
2	7CN-E1654-00	.BOLT, CONNECTING ROD	2				
3	7CN-E1631-10-A0	PISTON (STD)	1				
	7CN-E1635-00	PISTON (0.25MM O/S)	1				AP
	7CN-E1636-00	PISTON (0.50MM O/S)	1				AP
4	7CN-E1610-00	PISTON RING SET (STD)	1				
	7CN-E1610-10	PISTON RING SET (0.25MM O/S)	1				AP
	7CN-E1610-20	PISTON RING SET (0.50MM O/S)	1				AP
5	7CN-E1633-00	PIN, PISTON	1				
6	93450-17828	CIRCLIP	2				
7	90201-20812	WASHER, PLATE	1				
8	7CN-E1437-10	SPROCKET, IDLE 1	1				
9	90282-05001	KEY, STRAIGHT (5MMX16MM)	1				
10	90201-08828	WASHER, PLATE	1				
11	95822-08025	BOLT, FLANGE	1				
12	7CN-E1456-10	CHAIN, PRIMARY	1				
13	7CN-E1465-00	SHAFT 2	1				
14	7CN-E1557-00	WASHER 1	1				
15	7CN-E7441-00	KEY, FLAT	1				



7CNF400-M040

FIG. 4 GOVERNOR

REF. NO.	PART NO.	DESCRIPTION	7CNF				REMARKS
1	7CN-E1970-00	FLYWEIGHT SHAFT ASSY.	1				
2	7CN-E1913-00	.WEIGHT	2				
3	7CN-E1914-00	.SHAFT, WEIGHT	2				
4	90201-06842	WASHER, PLATE	1				
5	93440-06826	CIRCLIP	1				
6	90201-06842	WASHER, PLATE	1				
7	7CN-E1917-00	COLLAR	1				
8	7CN-E1922-00	FORK, GOVERNOR	1				
9	92902-06200	WASHER	1				
10	90468-18800	CLIP	1				
11	7CN-E1924-20	ARM, GOVERNOR	1				
12	97022-06030	BOLT, HEXAGON	1				
13	92902-06600	WASHER, PLATE	1				
14	90173-06802	NUT, SQUARE	1				
15	7CN-E1928-00	ROD, LINK	1				
16	90506-04800	SPRING, TENSION	1				
17	7CN-G1240-50	THROTTLE LEVER COMP.	1				
18	7CN-E4922-01	.SCREW, THROTTLE	2				
19	90501-090A8	.SPRING, COMPRESSION	2				
20	7CN-E5555-00	.SPRING, RETURN	1				
21	7CN-E1925-21	SPRING, GOVERNOR	1				
22	7CN-E1933-00	PLATE, ADJUST	1				
23	90153-05003	SCREW, HEXAGON	1				
24	7CT-E1932-00	SETTER, WIRE	1				
25	98502-04006	SCREW, PAN HEAD	1				
26	99001-04600	CIRCLIP	1				
27	95802-08012	BOLT, FLANGE	2				



7VUG110-K030

FIG. 5 CAMSHAFT & VALVE

REF. NO.	PART NO.	DESCRIPTION	7CNF				REMARKS
1	7CN-E2170-00	CAMSHAFT ASSY 1	1				
2	7CN-E2111-00	VALVE, INTAKE	1				
3	7CN-E2121-00	VALVE, EXHAUST	1				
4	7CN-E2153-00	LIFTER, VALVE	2				
5	90501-20800	SPRING, COMPRESSION	2				
6	7CN-E2117-00	RETAINER, VALVE SPRING	2				
7	7CN-E2118-00	LOCK, VALVE SPRING RETAINER	2				
8	7CN-E2151-00	ARM, VALVE ROCKER	2				
9	7CN-E2165-00	PIVOT, ROCKER ARM	2				
10	7CN-E2157-01	BOLT	2				
11	7CN-E2158-01	NUT, LOCK	2				
12	7CN-E2155-01	GUIDE, PUSH ROD	1				
13	7CN-E2154-00	ROD, VALVE PUSH	2				
14	7DH-E2119-01	SEAL, VALVE STEM	1				

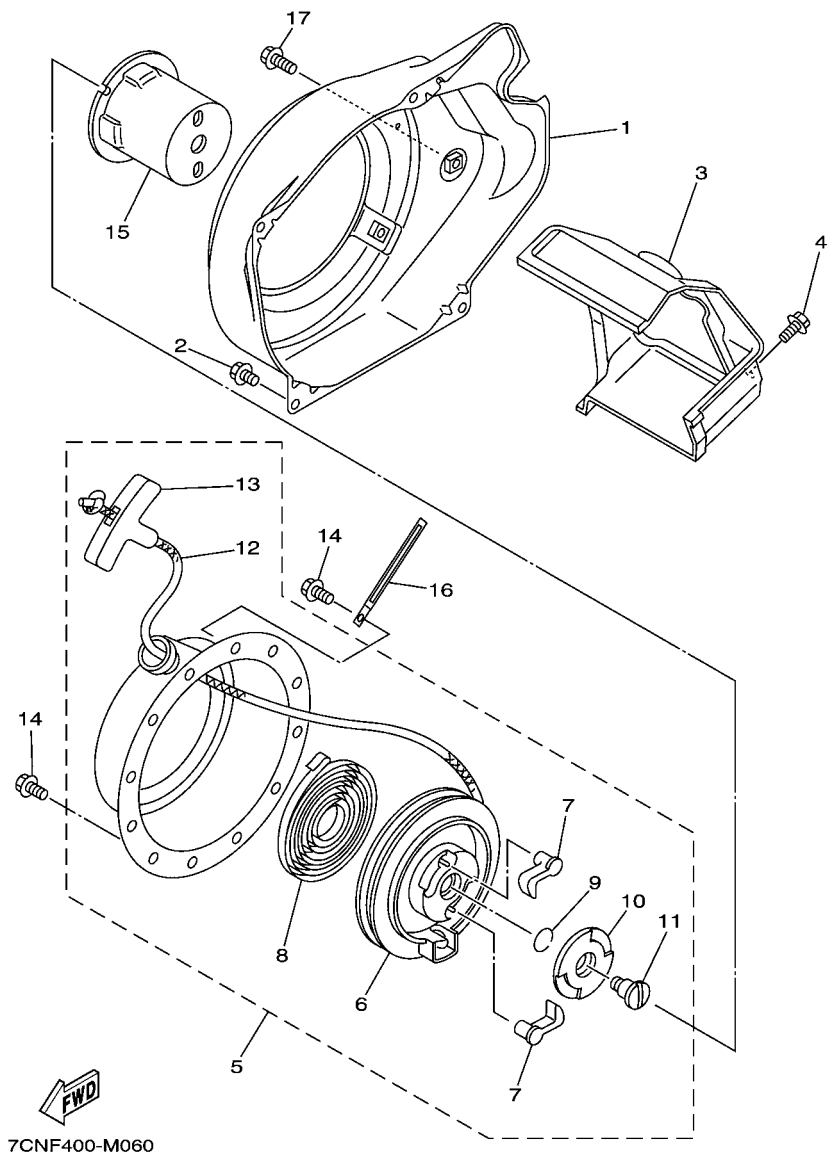


FIG. 6 AIR SHROUD & STARTER

REF. NO.	PART NO.	DESCRIPTION	7CNF				REMARKS
1	7CN-E2621-00	CASE, FAN	1				
2	95802-06012	BOLT, FLANGE	4				
3	7CN-E2651-01	AIR SHROUD, CYLINDER 1	1				
4	95822-06012	BOLT, FLANGE	1				
5	7CN-E5710-12	STARTER ASSY	1				
6	7CN-E5714-02	.DRUM, SHEAVE	1				
7	7CN-E5741-01	.PAWL, DRIVE	2				
8	7CN-E5713-00	.SPRING, STARTER	1				
9	7CN-E5715-00	.SPRING, FRICTION	1				
10	7CN-E5716-01	.PLATE, DRIVE	1				
11	7CN-E5793-00	.SCREW	1				
12	7CN-E5751-11	.WIRE, STARTER	1				
13	7CN-E5755-00	.HANDLE, STARTER	1				
14	95802-06008	BOLT, FLANGE	3				
15	7CN-E5723-00	PULLEY, STARTER	1				
16	90462-05061	CLAMP	1				
17	95802-06016	BOLT, FLANGE	1				

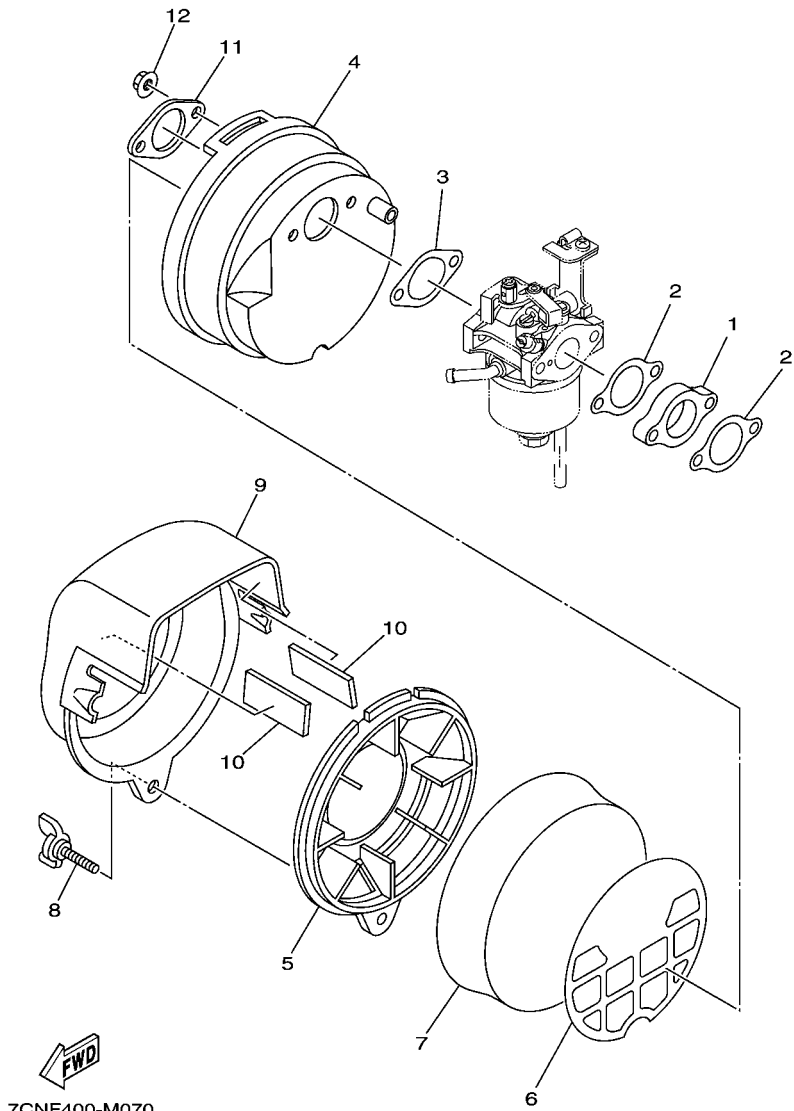


FIG. 7 INTAKE

REF. NO.	PART NO.	DESCRIPTION	7CNF				REMARKS
1	7CN-E3596-00	JOINT, CARBURETOR 2	1				
2	7CN-E3557-01	GASKET	2				
3	7CN-E3567-01	GASKET	1				
4	7CN-E4411-20	CASE, AIR CLEANER 1	1				
5	7CN-E4412-20	CAP, CLEANER CASE 1	1				
6	7CN-E4468-20	PLATE,ELEMENT FITTING	1				
7	7CN-E4451-20	ELEMENT, AIR CLEANER	1				
8	90122-06017	BOLT, WING	1				
9	7CN-E4422-30	CAP, CLEANER CASE 2	1				
10	7CN-E2684-00	DAMPER, DUCT 1	2				
11	7CN-E4477-00	PLATE	1				
12	95702-06500	NUT, FLANGE	2				

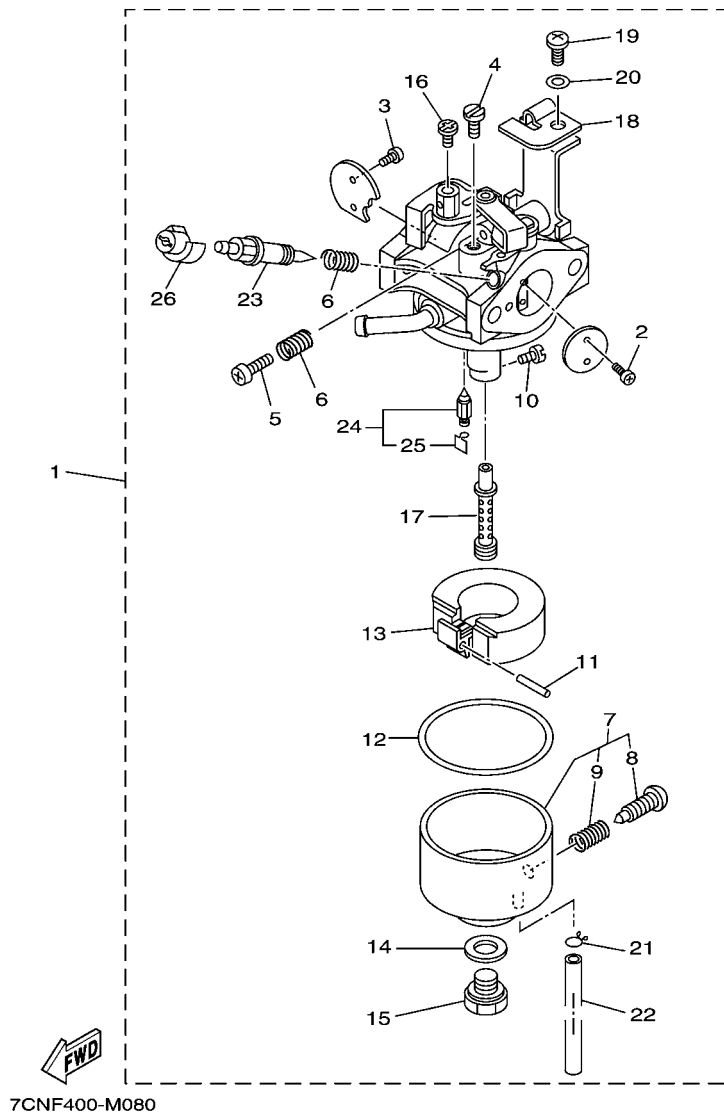


FIG. 8 CARBURETOR

REF. NO.	PART NO.	DESCRIPTION	7CNF				REMARKS
1	7CN-E4101-B2	CARBURETOR ASSY 1	1				
2	7RH-14216-00	.SCREW	2				
3	7RH-14486-00	.SCREW, ROD	2				
4	7NN-1414J-16	.JET, PILOT (#41.3)	1				
5	1WG-14922-00	.SCREW, THROTTLE	1				
6	73A-14212-00	.SPRING	2				
7	7TD-14181-00	.BODY, FLOAT CHAMBER 1	1				
8	7E1-14191-00	..PLUG, DRAIN	1				
9	73A-14212-00	..SPRING	1				
10	7NN-1414E-32	.JET, MAIN (#81.3)	1				
11	22F-14186-00	.PIN, FLOAT	1				
12	7CN-E4997-00	.SEAL	1				
13	7LG-14185-00	.FLOAT	1				
14	7G0-14227-00	.WASHER	1				
15	7TD-14162-00	.BOLT, HOLDING	1				
16	78G-14496-00	.BOLT	1				
17	7NN-14941-4K	.NOZZLE, MAIN	1				
18	7CY-14243-00	.PLATE	1				
19	98502-05008	.SCREW, PAN HEAD	1				
20	92902-05100	.WASHER, SPRING	1				
21	22F-14139-00	.CLIP, PIPE	1				
22	1V3-14196-00	.PIPE, OVER FLOW 1	1				
23	7NJ-14211-00	.SCREW, PILOT ADJUSTING	1				
24	7LG-14150-11	.NEEDLE ASSY	1				
25	7EG-14159-00	..CLIP	1				
26	7LV-14118-00	.CAP	1				

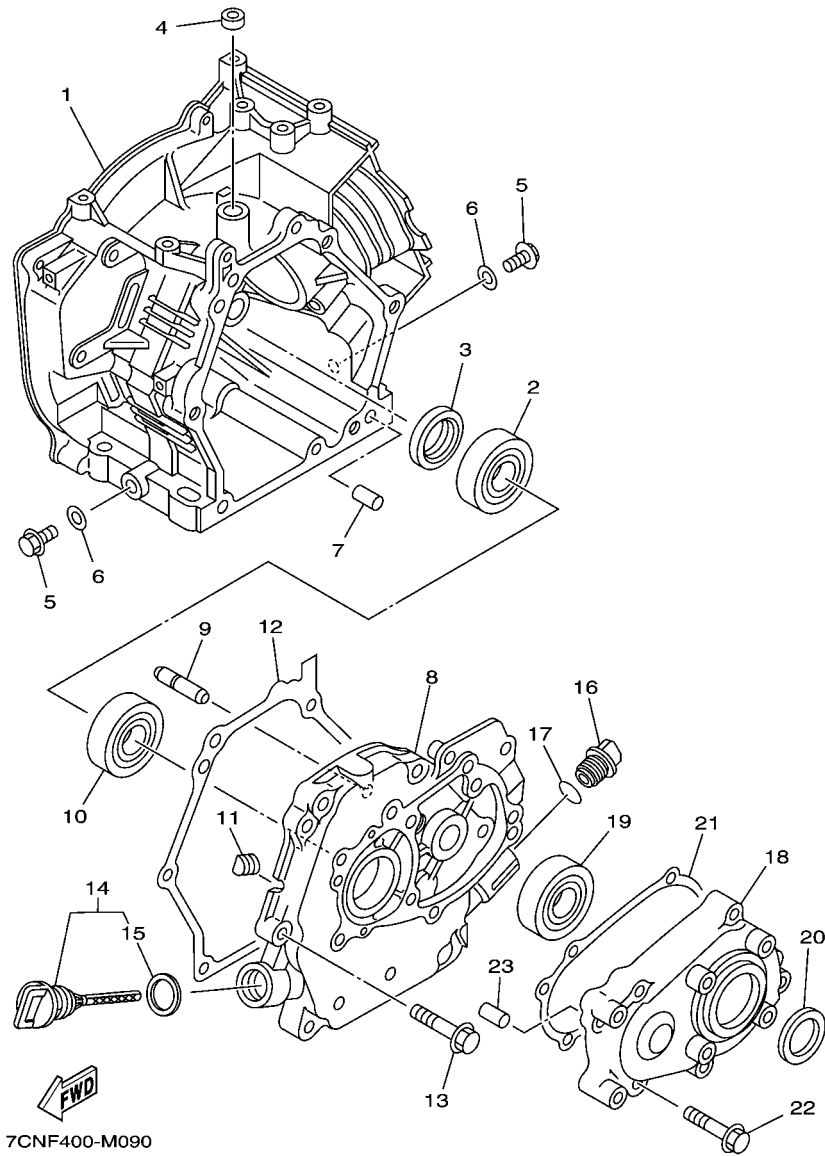
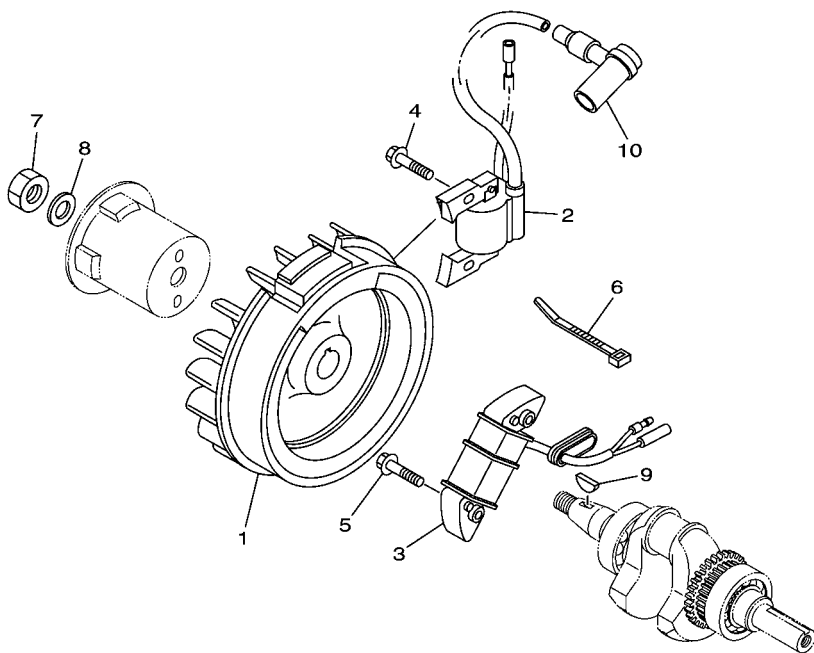


FIG. 9 CRANKCASE

REF. NO.	PART NO.	DESCRIPTION	7CNF				REMARKS
1	7CN-E5111-30	CRANKCASE 1	1				
2	93306-205XE	BEARING	1				
3	93102-25806	OIL SEAL	1				
4	93104-06800	OIL SEAL	1				
5	95022-10016	BOLT, FLANGE	2				
6	90430-10801	GASKET	2				
7	99530-08016	PIN, DOWEL	2				
8	7CN-E5411-40	COVER, CRANKCASE 1	1				
9	7CN-E1971-00	SHAFT, FLYWEIGHT	1				
10	93306-205XE	BEARING	1				
11	90338-06800	PLUG	1				
12	7CN-E5451-01	GASKET, CRANKCASE COVER 1	1				
13	95822-08035	BOLT, FLANGE	6				
14	7BX-E536A-00	PLUG, OIL LEVEL	1				
15	90430-17801	.GASKET	1				
16	7CN-E5362-00	PLUG, OIL LEVEL	1				
17	93210-13801	O-RING	1				
18	7CN-E5418-00	COVER, CHAIN CASE	1				
19	93306-205XE	BEARING	1				
20	93102-25806	OIL SEAL	1				
21	7CN-E5453-00	GASKET	1				
22	95822-06030	BOLT, FLANGE	4				
23	99530-08016	PIN, DOWEL	2				



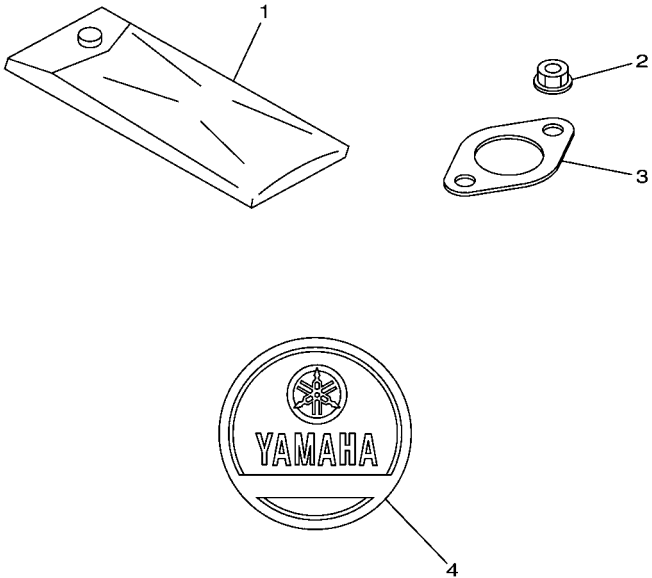

 7CNK415-L101

FIG. 10 MAGNETO

REF. NO.	PART NO.	DESCRIPTION	7CNF				REMARKS
1	7CN-H5650-30	ROTOR ASSY	1				
2	7CN-H5640-01	T.C.I. UNIT ASSY	1				
3	7CN-H5521-10	COIL ASSY	1				
4	95822-06020	BOLT, FLANGE	2				
5	95822-06030	BOLT, FLANGE	2				
6	7CN-H7188-00	BINDER	1				
7	90170-14800	NUT	1				
8	92902-14200	WASHER	1				
9	90280-04801	KEY, WOODRUFF	1				
10	7CN-H2370-00	PLUG CAP ASSY	1				

FIG. 11 BODY FITTING

REF. NO.	PART NO.	DESCRIPTION	TCNF					REMARKS
1	7CA-F8100-01	TOOL KIT	1					
2	95302-06600	NUT	2					
3	7CN-E4613-00	GASKET, EXHAUST PIPE	1					
4	7CN-E2629-20	EMBLEM (MZ175)	1					



7CNK415-L110

NUMERICAL INDEX

PART NO.	REF. NO.	PART NO.	REF. NO.	PART NO.	REF. NO.	PART NO.	REF. NO.	PART NO.	REF. NO.	PART NO.	REF. NO.
7LV-14118-00	8 - 26	7CN-E1928-00	4 - 15	7CN-E5723-00	6 - 15	95302-06600	11 - 2				
22F-14139-00	8 - 21	7CT-E1932-00	4 - 24	7CN-E5741-01	6 - 7	95602-06615	1 - 2				
7NN-1414E-32	8 - 10	7CN-E1933-00	4 - 22	7CN-E5751-11	6 - 12	95702-06500	7 - 12				
7NN-1414J-16	8 - 4	7CN-E1970-00	4 - 1	7CN-E5755-00	6 - 13	95802-06008	6 - 14				
7LG-14150-11	8 - 24	7CN-E1971-00	9 - 9	7CN-E5793-00	6 - 11	95802-06012	6 - 2				
7EG-14159-00	8 - 25	7CN-E2111-00	5 - 2	7CN-E7441-00	3 - 15	95802-06016	6 - 17				
7TD-14162-00	8 - 15	7CN-E2117-00	5 - 6	7CA-F8100-01	11 - 1	95802-08012	4 - 27				
7TD-14181-00	8 - 7	7CN-E2118-00	5 - 7	7CN-G1240-50	4 - 17	95822-06012	1 - 14				
7LG-14185-00	8 - 13	7DH-E2119-01	5 - 14	7CN-H2370-00	10 - 10		6 - 4				
22F-14186-00	8 - 11	7CN-E2121-00	5 - 3	7CN-H5521-10	10 - 3	95822-06020	10 - 4				
7E1-14191-00	8 - 8	7CN-E2151-00	5 - 8	7CN-H5640-01	10 - 2	95822-06030	9 - 22				
1V3-14196-00	8 - 22	7CN-E2153-00	5 - 4	7CN-H5650-30	10 - 1		10 - 5				
7NJ-14211-00	8 - 23	7CN-E2154-00	5 - 13	7CN-H7188-00	10 - 6	95822-08025	3 - 11				
73A-14212-00	8 - 6	7CN-E2155-01	5 - 12	90116-06807	1 - 3	95822-08035	9 - 13				
	8 - 9	7CN-E2157-01	5 - 10	90122-06017	7 - 8	95822-08045	1 - 6				
7RH-14216-00	8 - 2	7CN-E2158-01	5 - 11	90153-05003	4 - 23	95822-08065	1 - 5				
7G0-14227-00	8 - 14	7CN-E2165-00	5 - 9	90170-14800	10 - 7	97022-06030	4 - 12				
7CY-14243-00	8 - 18	7CN-E2170-00	5 - 1	90173-06802	4 - 14	98502-04006	4 - 25				
7RH-14486-00	8 - 3	7CN-E2621-00	6 - 1	90201-06842	4 - 4	98502-05008	8 - 19				
78G-14496-00	8 - 16	7CN-E2629-20	11 - 4		4 - 6	99001-04600	4 - 26				
1WG-14922-00	8 - 5	7CN-E2651-01	6 - 3	90201-08828	3 - 10	99530-08016	9 - 7				
7NN-14941-4K	8 - 17	7CN-E2684-00	7 - 10	90201-20812	3 - 7		9 - 23				
7CN-E1111-01	1 - 1	7CN-E3557-01	7 - 2	90280-04801	10 - 9	99530-10114	1 - 7				
7CN-E1160-00	1 - 10	7CN-E3567-01	7 - 3	90282-05001	3 - 9						
7CN-E1169-01	1 - 12	7CN-E3596-00	7 - 1	90338-06800	9 - 11						
7CN-E1181-01	1 - 4	7CN-E4101-B2	8 - 1	90430-10801	9 - 6						
7CN-E1191-00	1 - 9	7CN-E4411-20	7 - 4	90430-17801	9 - 15						
7CN-E1193-00	1 - 13	7CN-E4412-20	7 - 5	90445-13800	1 - 11						
7CN-E1400-60	2 - 1	7CN-E4422-30	7 - 9	90462-05061	6 - 16						
7CN-E1437-10	3 - 8	7CN-E4451-20	7 - 7	90468-18800	4 - 10						
7CN-E1456-10	3 - 12	7CN-E4468-20	7 - 6	90501-090A8	4 - 19						
7CN-E1465-00	3 - 13	7CN-E4477-00	7 - 11	90501-20800	5 - 5						
7CN-E1557-00	3 - 14	7CN-E4613-00	11 - 3	90506-04800	4 - 16						
7CN-E1610-00	3 - 4	7CN-E4922-01	4 - 18	92902-05100	8 - 20						
7CN-E1610-10	3 - 4	7CN-E4997-00	8 - 12	92902-06200	4 - 9						
7CN-E1610-20	3 - 4	7CN-E5111-30	9 - 1	92902-06600	4 - 13						
7CN-E1631-10-A0	3 - 3	7CN-E5362-00	9 - 16	92902-14200	10 - 8						
7CN-E1633-00	3 - 5	7BX-E536A-00	9 - 14	93102-25806	9 - 3						
7CN-E1635-00	3 - 3	7CN-E5411-40	9 - 8		9 - 20						
7CN-E1636-00	3 - 3	7CN-E5418-00	9 - 18	93104-06800	9 - 4						
7CN-E1650-11	3 - 1	7CN-E5451-01	9 - 12	93210-13801	9 - 17						
7CN-E1654-00	3 - 2	7CN-E5453-00	9 - 21	93306-205XE	9 - 2						
7CN-E1913-00	4 - 2	7CN-E5555-00	4 - 20		9 - 10						
7CN-E1914-00	4 - 3	7CN-E5710-12	6 - 5		9 - 19						
7CN-E1917-00	4 - 7	7CN-E5713-00	6 - 8	93440-06826	4 - 5						
7CN-E1922-00	4 - 8	7CN-E5714-02	6 - 6	93450-17828	3 - 6						
7CN-E1924-20	4 - 11	7CN-E5715-00	6 - 9	94702-00331	1 - 8						
7CN-E1925-21	4 - 21	7CN-E5716-01	6 - 10	95022-10016	9 - 5						