



PARTS CATALOGUE

MZ175B8EAB (7CNK) CHN



1L7CN-415EA

()

2014/11/11

NEWS NO.	DATE	COMMENT
PE0-MP-140002	Oct., 21, 2014	MZ175B8EAB(7CNK) PARTS CATALOGUR CORRECTIONS

MZ175B8EAB
PARTS CATALOGUE
©2012 by Yamaha Motor Co., Ltd.
1st edition, December 2012
All rights reserved.
Any reprinting or unauthorized use
without the written permission of
Yamaha Motor Co., Ltd.
is expressly prohibited.
Printed in Japan.

FOREWORD

This Parts Catalogue is related to the parts for the model(s) on the cover page. When you are ordering replacement parts, please refer to this Parts Catalogue and quote both part numbers and part names correctly.

1. Modifications or additions which have been made after the issue of the Parts Catalogue will be announced in the Parts News.

It is advisable that you make the necessary corrections to the Parts Catalogue according to the Parts News.

2. Abbreviations

The following abbreviations are used in this Parts Catalogue.

“UR” Use specified parts number.

“UN” Use as many as needed.

“AP” Alternate Parts

“LM” Locally Made (Parts need to be ordered locally)

“F#” Frame No. (Applicable machine No.)

“O/S” Over Size

3. The number of components for assembly

- Parts, which are to be supplied in an assembly, are listed with a dot (.) in front of the part name as shown below.
- The numeral appearing to the right of each component part indicates the quantity of parts for each assembly unit.

PART NO.	DESCRIPTION	Q'TY	REMARKS
2F5-83310-60	FRONT FLASHER LIGHT ASSY	2	
115-83311-60	.BULB (6V-18W)	1	

4. Applicable colours of graphics are represented in the “REMARKS” as shown below.

PART NO.	DESCRIPTION	Q'TY	REMARKS
2N4-24110-00-X5	FUEL TANK COMP.	2	MXR
3J1-24240-10	.GRAPHIC, FUEL TANK	1	FOR MXR

5. Note that the illustrations for reference in finding parts numbers are not to be used for assembling. When assembling, please use the applicable service manual.

6. The asterisk (*) before a reference number indicates modified items after the first edition.

FOREWORD

Engine Serial No.

This parts catalogue is related to the parts for the models in the list below.

MODEL CODE	MODEL NAME	SPECIFICATION (OUT LINE)	ENGINE SERIAL NO.
7CNK	MZ175B8EAB	P.T.O. SHAFT B TYPE, MOUNT FACE (mm) TANK LESS	7CNK-5000101

CONTENTS

CYLINDER	1
CRANKSHAFT	2
CRANKSHAFT & PISTON	3
GOVERNOR	4
CAMSHAFT & VALVE	6
AIR SHROUD & STARTER	7
INTAKE	8
CARBURETOR	9
CRANKCASE	10
FUEL	11
MAGNETO	12
BODY FITTING	13

INDEX

NUMERICAL INDEX	14
-----------------------	----

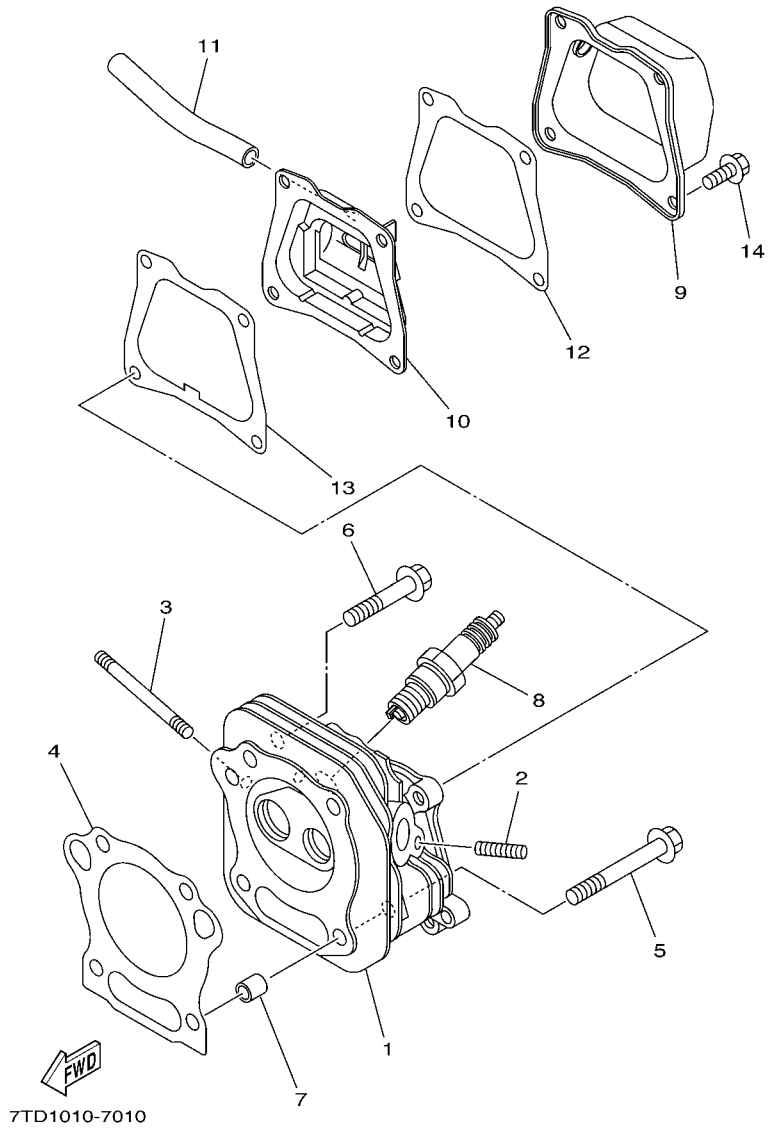
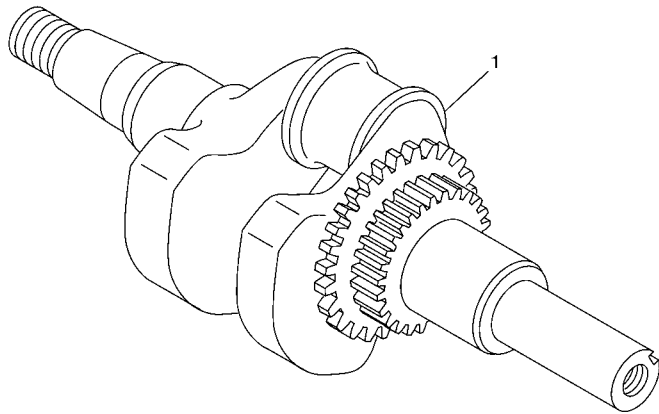
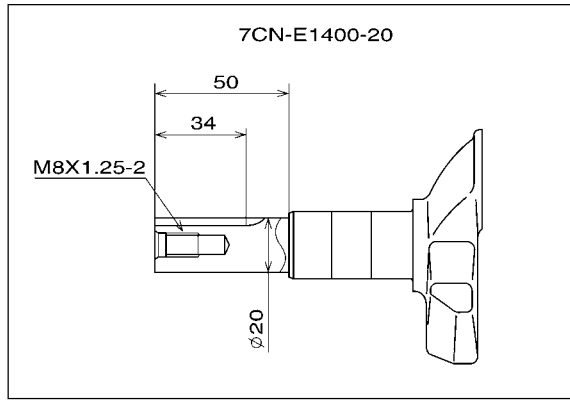


FIG. 1 CYLINDER

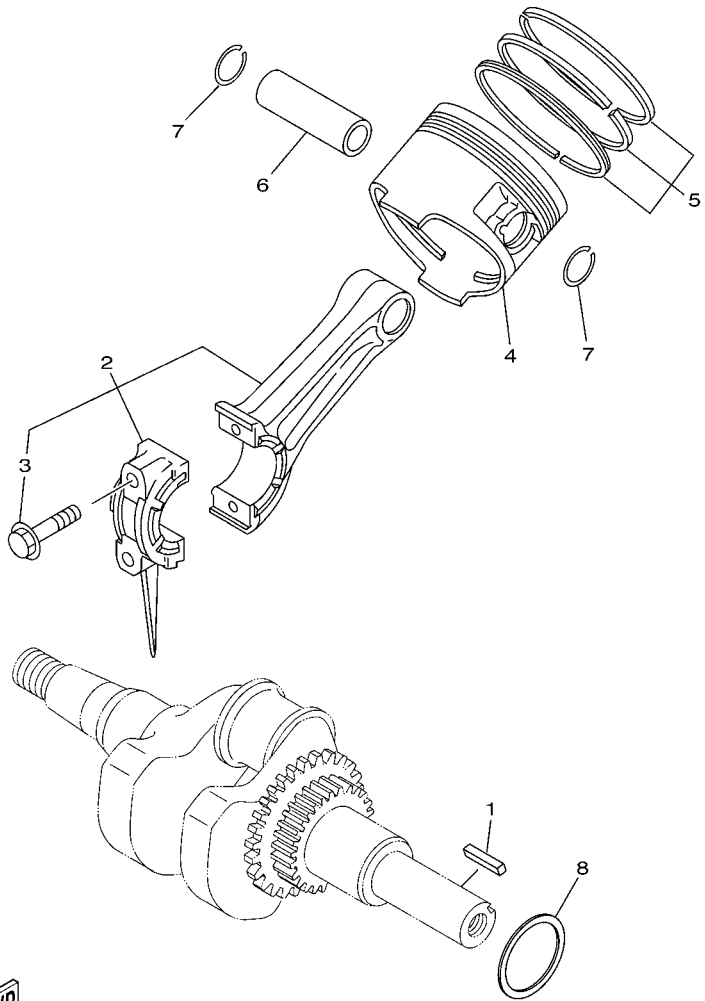
REF. NO.	PART NO.	DESCRIPTION	7CNK				REMARKS
1	7CN-E1111-01	HEAD, CYLINDER 1	1				
2	95602-06615	BOLT, STUD	2				
3	90116-06807	BOLT, STUD	2				
4	7CN-E1181-01	GASKET, CYLINDER HEAD 1	1				
5	95822-08065	BOLT, FLANGE	2				
6	95822-08045	BOLT, FLANGE	2				
7	99530-10114	PIN, DOWEL	2				
8	94701-00820	PLUG, SPARK	1				
9	7CN-E1191-00	COVER, CYLINDER HEAD 1	1				
10	7CN-E1160-00	BREATHER ASSY	1				
11	90445-13800	HOSE	1				
12	7CN-E1169-01	GASKET, BREATHER COVER	1				
13	7CN-E1193-00	GASKET, HEAD COVER 1	1				
14	95822-06012	BOLT, FLANGE	4				



 FWD
7CN2400-D020

FIG. 2 CRANKSHAFT

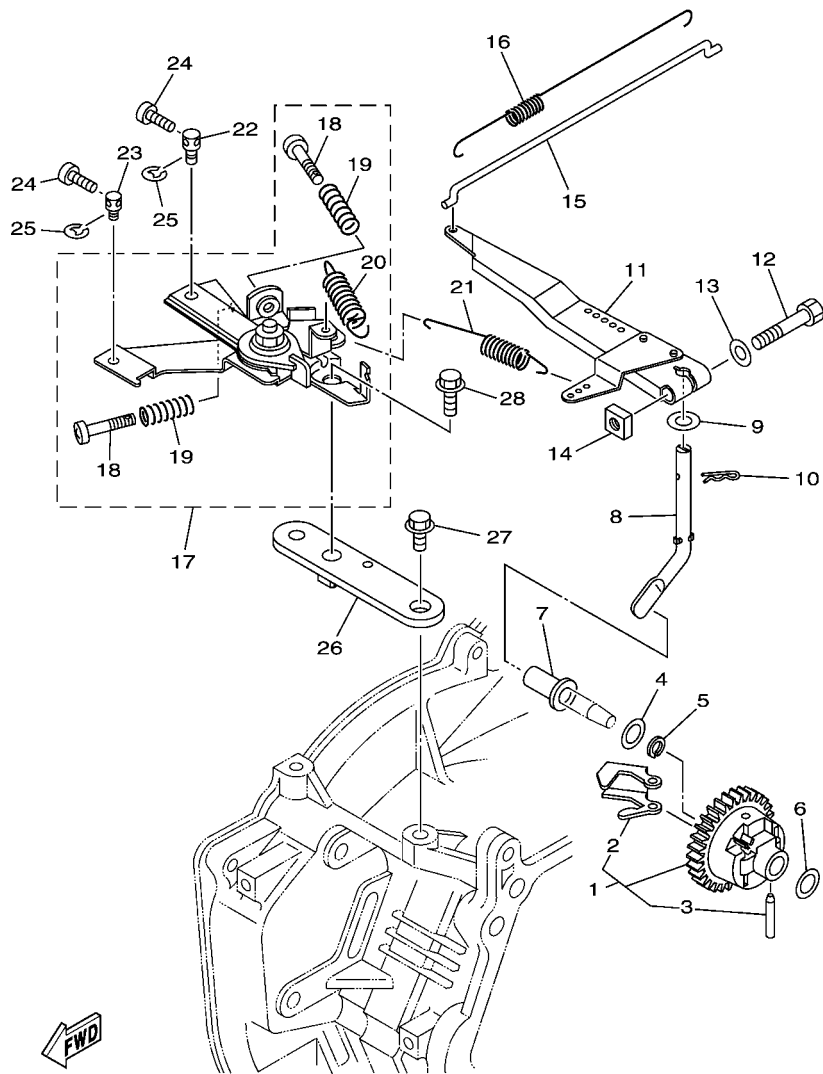
REF. NO.	PART NO.	DESCRIPTION	7CNK				REMARKS
1	7CN-E1400-20	CRANKSHAFT ASSY	1				




7CN1200-C030

FIG. 3 CRANKSHAFT & PISTON

REF. NO.	PART NO.	DESCRIPTION	7CNK				REMARKS
1	7CN-E7441-00	KEY, FLAT	1				
2	7CN-E1650-11	CONNECTING ROD ASSY	1				
3	7CN-E1654-00	.BOLT, CONNECTING ROD	2				
4	7CN-E1631-10-A0	PISTON (STD)	1				
	7CN-E1635-00	PISTON (0.25MM O/S)	1				AP
	7CN-E1636-00	PISTON (0.50MM O/S)	1				AP
5	7CN-E1610-00	PISTON RING SET (STD)	1				
	7CN-E1610-10	PISTON RING SET (0.25MM O/S)	1				AP
	7CN-E1610-20	PISTON RING SET (0.50MM O/S)	1				AP
6	7CN-E1633-00	PIN, PISTON	1				
7	93450-17828	CIRCLIP	2				
8	7CN-E1561-00	SHIM, CRANK 1 (T=0.1)	1				UN

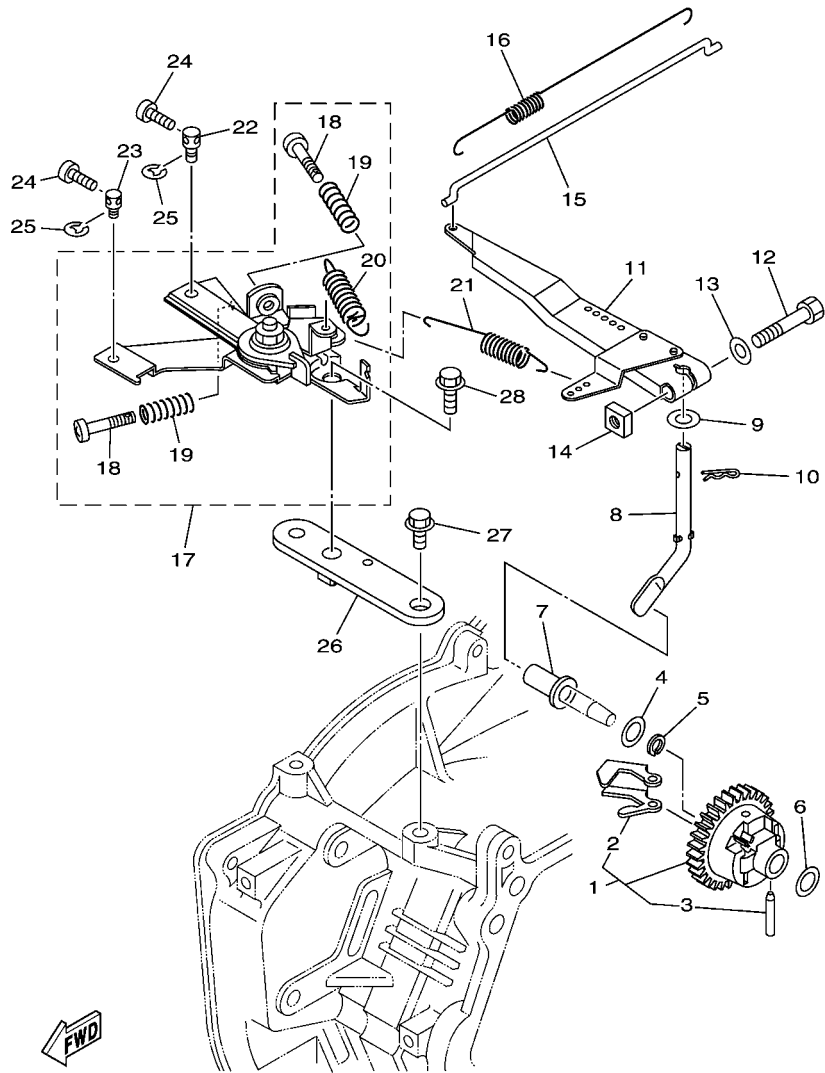


7CNK415-L041

FIG. 4 GOVERNOR

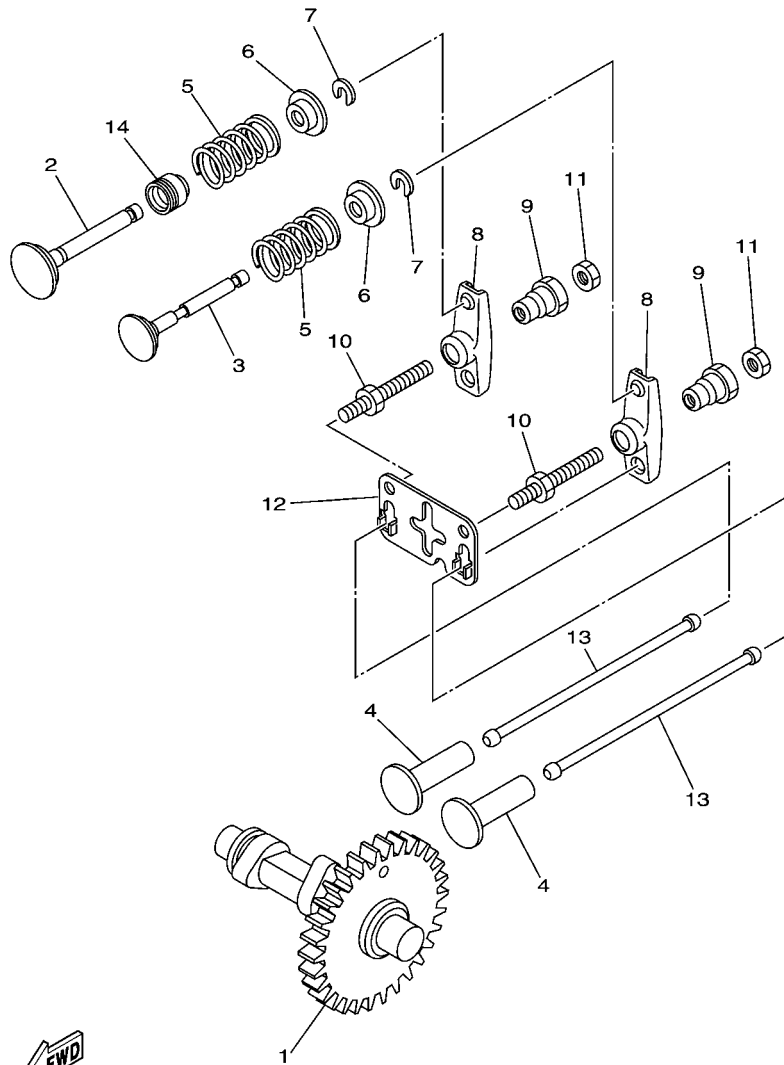
REF. NO.	PART NO.	DESCRIPTION	7CNK				REMARKS
1	7CN-E1970-00	FLYWEIGHT SHAFT ASSY.	1				
2	7CN-E1913-00	.WEIGHT	2				
3	7CN-E1914-00	.SHAFT, WEIGHT	2				
4	90201-06842	WASHER, PLATE	1				
5	93440-06826	CIRCLIP	1				
6	90201-06842	WASHER, PLATE	1				
7	7CN-E1917-00	COLLAR	1				
8	7CN-E1922-00	FORK, GOVERNOR	1				
9	92902-06200	WASHER	1				
10	90468-18800	CLIP	1				
11	7CN-E1924-10	ARM, GOVERNOR	1				
12	97022-06030	BOLT, HEXAGON	1				
13	92902-06600	WASHER, PLATE	1				
14	90173-06802	NUT, SQUARE	1				
15	7CN-E1928-00	ROD, LINK	1				
16	90506-04800	SPRING, TENSION	1				
17	7CN-G1240-40	THROTTLE LEVER COMP.	1				
18	7CN-E4922-01	.SCREW, THROTTLE	2				
19	90501-090A8	.SPRING, COMPRESSION	2				
20	7CN-E5555-00	.SPRING, RETURN	1				
21	7CN-E1925-30	SPRING, GOVERNOR	1				
22	7CN-E1932-10	SETTER, WIRE	1				
23	7CN-E1932-00	SETTER, WIRE	1				
24	98502-04006	SCREW, PAN HEAD	2				
25	99001-04600	CIRCLIP	2				
26	7CN-E1951-02	PLATE	1				
27	95822-08020	BOLT, FLANGE	1				

FIG. 4 GOVERNOR



← FWD
7CNK415-L041

REF. NO.	PART NO.	DESCRIPTION	7CNK			REMARKS
28	95802-08012	BOLT, FLANGE	1			



7VUG110-K030

FIG. 5 CAMSHAFT & VALVE

REF. NO.	PART NO.	DESCRIPTION	7CNK				REMARKS
1	7CN-E2170-00	CAMSHAFT ASSY 1	1				
2	7CN-E2111-00	VALVE, INTAKE	1				
3	7CN-E2121-00	VALVE, EXHAUST	1				
4	7CN-E2153-00	LIFTER, VALVE	2				
5	90501-20800	SPRING, COMPRESSION	2				
6	7CN-E2117-00	RETAINER, VALVE SPRING	2				
7	7CN-E2118-00	LOCK, VALVE SPRING RETAINER	2				
8	7CN-E2151-00	ARM, VALVE ROCKER	2				
9	7CN-E2165-00	PIVOT, ROCKER ARM	2				
10	7CN-E2157-01	BOLT	2				
11	7CN-E2158-01	NUT, LOCK	2				
12	7CN-E2155-01	GUIDE, PUSH ROD	1				
13	7CN-E2154-00	ROD, VALVE PUSH	2				
14	7DH-E2119-01	SEAL, VALVE STEM	1				

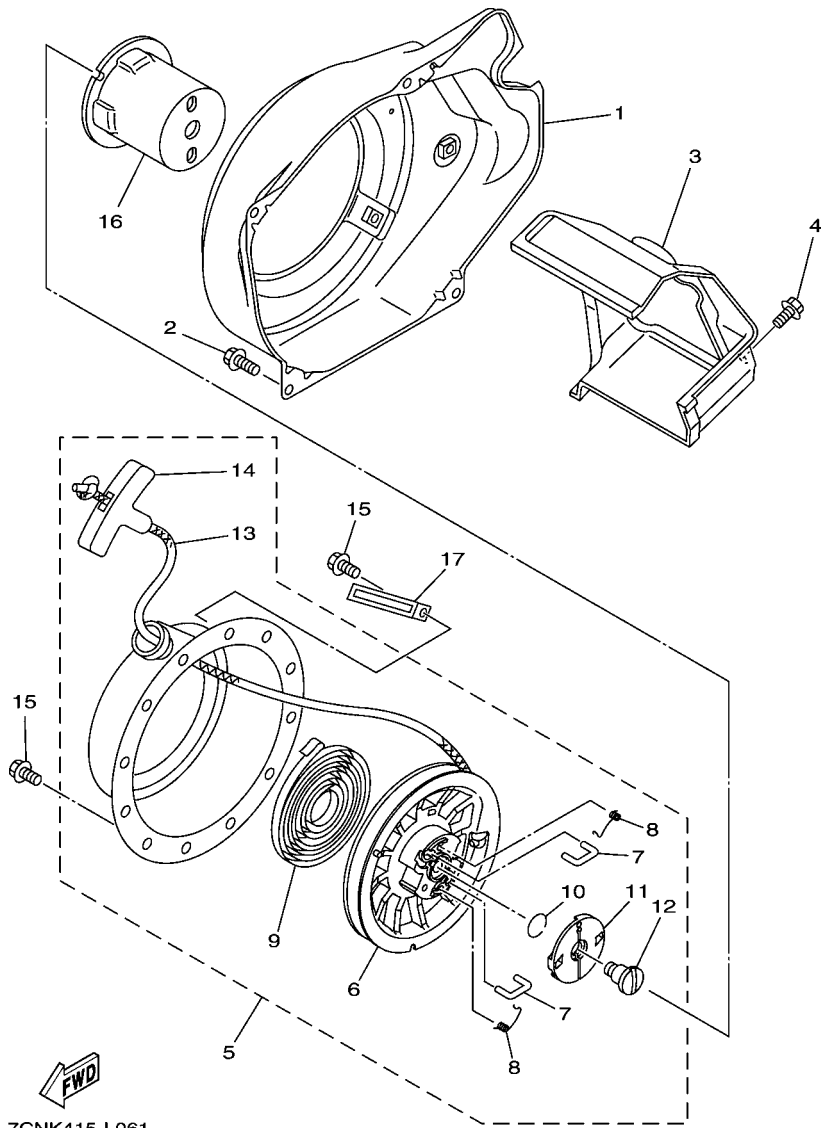
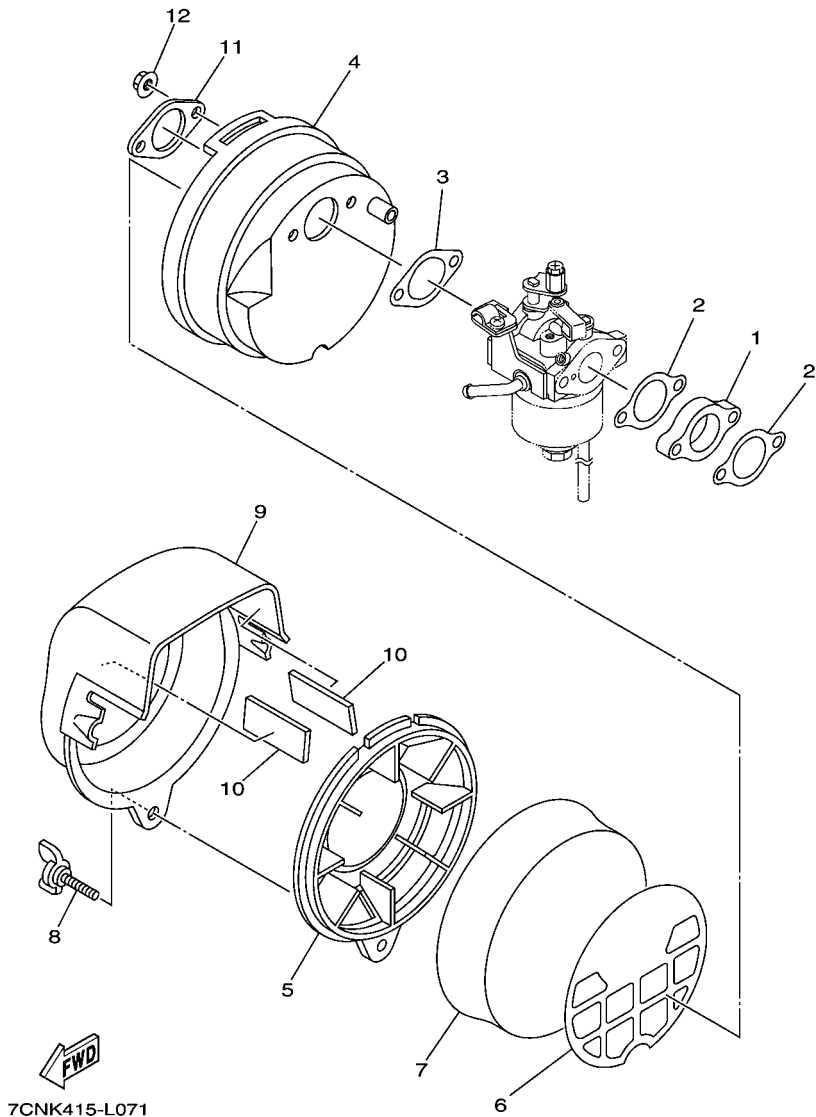


FIG. 6 AIR SHROUD & STARTER

REF. NO.	PART NO.	DESCRIPTION	7CNK				REMARKS
1	7CN-E2621-00	CASE, FAN	1				
2	95802-06012	BOLT, FLANGE	4				
3	7CN-E2651-01	AIR SHROUD, CYLINDER 1	1				
4	95822-06012	BOLT, FLANGE	2				
5	7CN-E5710-60	STARTER ASSY	1				
6	7CN-E5714-60	.DRUM, SHEAVE	1				
7	7CN-E5741-60	.PAWL, DRIVE	2				
8	7CN-E5734-60	.SPRING, RETURN	2				
9	7CN-E5713-00	.SPRING, STARTER	1				
10	7CN-E5715-60	.SPRING, FRICTION	1				
11	7CN-E5716-60	.PLATE, DRIVE	1				
12	7CN-E5793-00	.SCREW	1				
13	7CN-E5751-40	.WIRE, STARTER	1				
14	7CN-E5755-00	.HANDLE, STARTER	1				
15	95802-06008	BOLT, FLANGE	3				
16	7CN-E5723-00	PULLEY, STARTER	1				
17	90462-05061	CLAMP	1				



7CNK415-L071

FIG. 7 INTAKE

REF. NO.	PART NO.	DESCRIPTION	7CNK				REMARKS
1	7CN-E3596-00	JOINT, CARBURETOR 2	1				
2	7CN-E3557-01	GASKET	2				
3	7CN-E3567-01	GASKET	1				
4	7CN-E4411-20	CASE, AIR CLEANER 1	1				
5	7CN-E4412-20	CAP, CLEANER CASE 1	1				
6	7CN-E4468-20	PLATE,ELEMENT FITTING	1				
7	7CN-E4451-20	ELEMENT, AIR CLEANER	1				
8	90122-06017	BOLT, WING	1				
9	7CN-E4422-30	CAP, CLEANER CASE 2	1				
10	7CN-E2684-00	DAMPER, DUCT 1	2				
11	7CN-E4477-00	PLATE	1				
12	95702-06500	NUT, FLANGE	2				

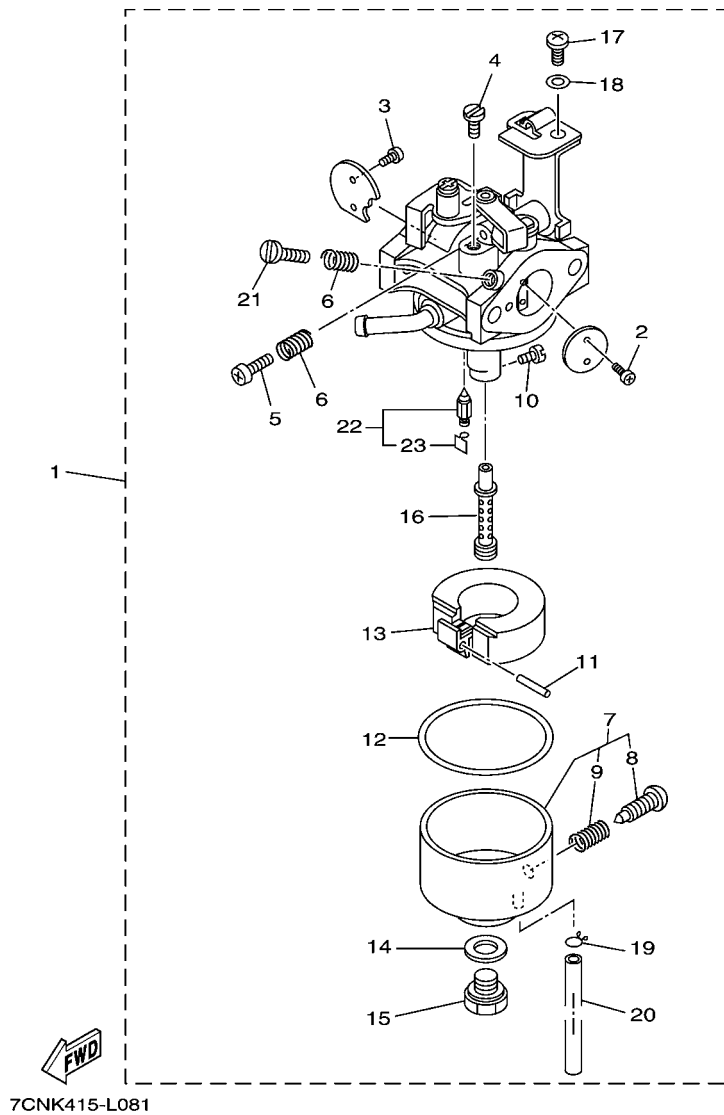


FIG. 8 CARBURETOR

REF. NO.	PART NO.	DESCRIPTION	7CNK				REMARKS
1	7CN-E4101-B1	CARBURETOR ASSY 1	1				
2	7RH-14216-00	.SCREW	2				
3	7RH-14486-00	.SCREW, ROD	2				
4	7NN-1414J-16	.JET, PILOT (#41.3)	1				
5	1WG-14922-00	.SCREW, THROTTLE	1				
6	73A-14212-00	.SPRING	2				
7	7TD-14181-00	.BODY, FLOAT CHAMBER 1	1				
8	7E1-14191-00	..PLUG, DRAIN	1				
9	73A-14212-00	..SPRING	1				
10	7NN-1414E-32	.JET, MAIN (#81.3)	1				
11	22F-14186-00	.PIN, FLOAT	1				
12	7CN-E4997-00	.SEAL	1				
13	7LG-14185-00	.FLOAT	1				
14	7G0-14227-00	.WASHER	1				
15	7TD-14162-00	.BOLT, HOLDING	1				
16	7NN-14941-4K	.NOZZLE, MAIN	1				
17	98502-05008	.SCREW, PAN HEAD	1				
18	92902-05100	.WASHER, SPRING	1				
19	22F-14139-00	.CLIP, PIPE	1				
20	1V3-14196-00	.PIPE, OVER FLOW 1	1				
21	7LV-14211-00	.SCREW, PILOT ADJUSTING	1				
22	7LG-14150-11	.NEEDLE ASSY	1				
23	7EG-14159-00	..CLIP	1				

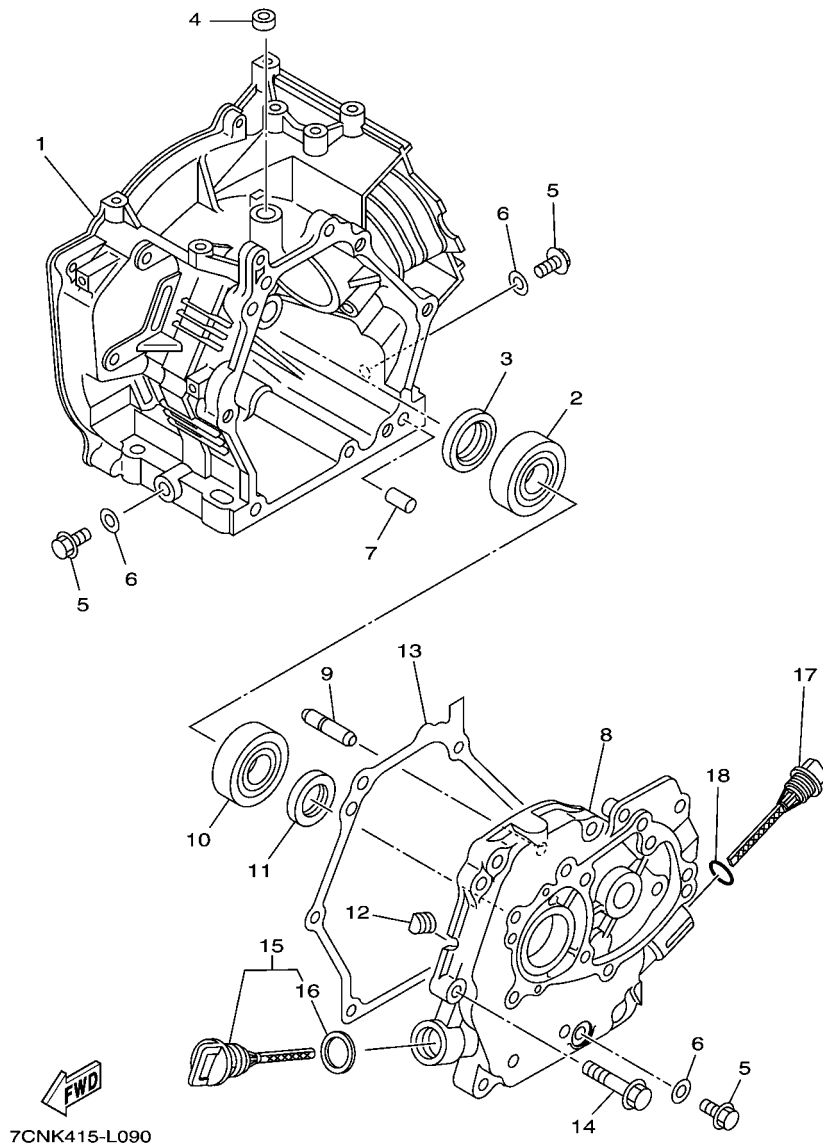
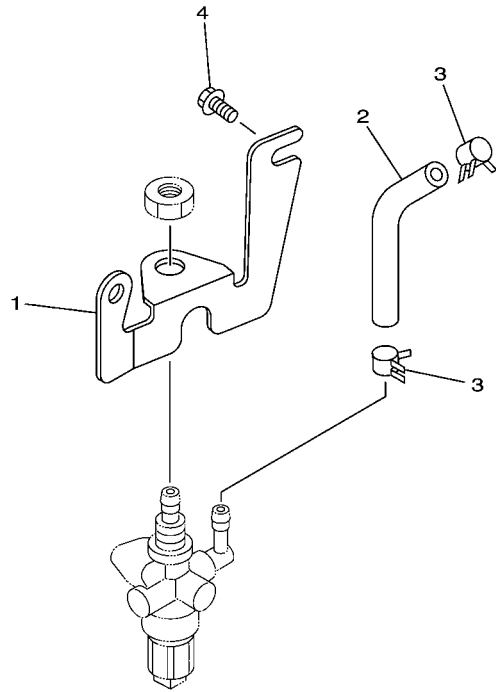


FIG. 9 CRANKCASE

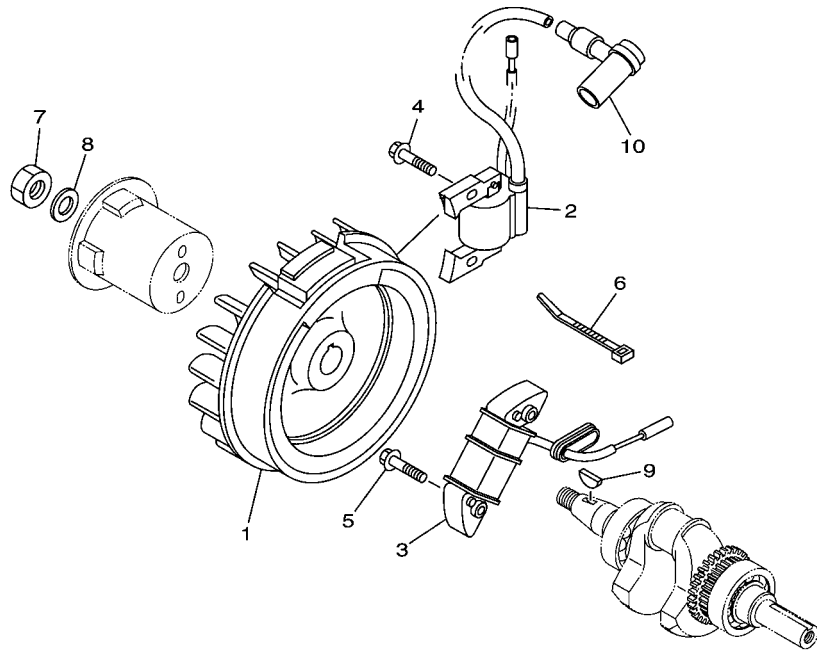
REF. NO.	PART NO.	DESCRIPTION	7CNK				REMARKS
1	7CN-E5111-30	CRANKCASE 1	1				<7CNK-5004669
	7CN-E5121-A0	CRANKCASE 2	1				>7CNK-5004670
2	93306-205XE	BEARING	1				
3	93102-25806	OIL SEAL	1				
4	93104-06800	OIL SEAL	1				
5	95022-10016	BOLT, FLANGE	3				
6	90430-10801	GASKET	3				
7	99530-08016	PIN, DOWEL	2				
8	7CN-E5411-90	COVER, CRANKCASE 1	1				
9	7CN-E1971-00	SHAFT, FLYWEIGHT	1				
10	93306-205XE	BEARING	1				
11	93102-25805	OIL SEAL	1				
12	90338-06800	PLUG	1				
13	7CN-E5451-01	GASKET, CRANKCASE COVER 1	1				
14	95822-08035	BOLT, FLANGE	6				
15	7BX-E536A-00	PLUG, OIL LEVEL	1				
16	90430-17801	.GASKET	1				
17	7CN-E5362-30	PLUG, OIL LEVEL	1				
18	93210-13801	O-RING	1				




 7CNK415-L100

FIG. 10 FUEL

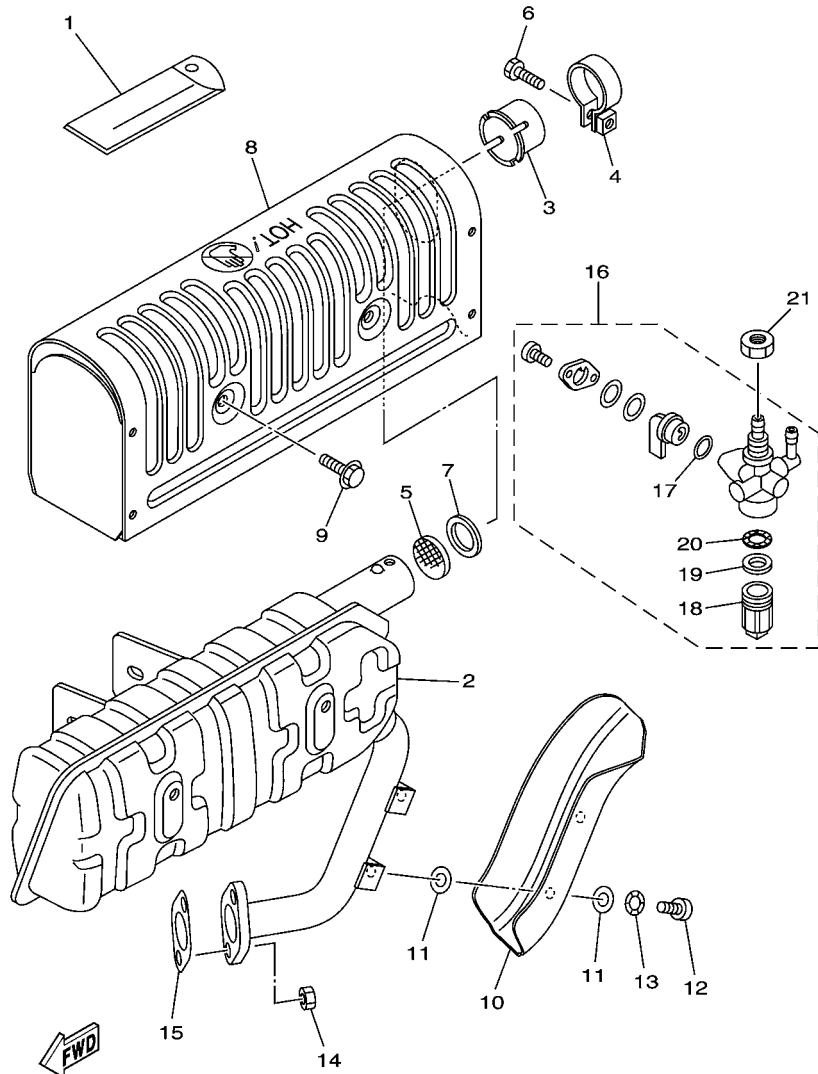
REF. NO.	PART NO.	DESCRIPTION	7CNK				REMARKS
1	7CN-F4544-10	BRACKET, FUEL COCK	1				
2	90445-10308	HOSE (L160)	1				
3	90467-09806	CLIP	2				
4	95802-06012	BOLT, FLANGE	1				




 7CNK415-L111

FIG. 11 MAGNETO

REF. NO.	PART NO.	DESCRIPTION	7CNK				REMARKS
1	7CN-H5650-30	ROTOR ASSY	1				
2	7CN-H5640-01	T.C.I. UNIT ASSY	1				
3	7CN-H5521-50	COIL ASSY	1				
4	95822-06020	BOLT, FLANGE	1				
5	95822-06030	BOLT, FLANGE	2				
6	7CN-H7188-00	BINDER	1				
7	90170-14800	NUT	1				
8	92902-14200	WASHER	1				
9	90280-04801	KEY, WOODRUFF	1				
10	7CN-H2370-00	PLUG CAP ASSY	1				



7CNK415-L120

FIG. 12 BODY FITTING

REF. NO.	PART NO.	DESCRIPTION	7CNK			REMARKS
1	7CA-F8100-01	TOOL KIT	1			
2	7CN-E4711-50	MUFFLER 1	1			
3	7CA-E4799-00	CAP	1			
4	7CA-E4788-00	BAND, SILENCER	1			
5	7CN-E479E-10	NET, WIRE 2	1			
6	90153-05800	SCREW, HEXAGON	1			
7	90201-17802	WASHER, PLATE	1			
8	7CN-E4708-20	PROTECTOR ASSY	1			
9	95822-06008	BOLT, FLANGE	4			
10	7CN-E4628-10	PROTECTOR, EXHAUST PIPE	1			
11	7CN-E4766-00	WASHER, PROTECTOR	4			
12	98980-06010	SCREW, BIND	2			
13	90206-06090	WASHER, WAVE	2			
14	95302-06600	NUT	2			
15	7CN-E4613-00	GASKET, EXHAUST PIPE	1			
16	7CN-F4500-20	FUEL COCK ASSY 1	1			
17	7CN-F4534-00	.SEAL, COCK	1			
18	7CN-F4521-20	.CUP, FILTER	1			
19	4X8-24565-00	.GASKET	1			
20	7CN-F4515-20	.NET, FILTER 2	1			
21	95302-10700	NUT	1			

NUMERICAL INDEX

PART NO.	REF. NO.	PART NO.	REF. NO.	PART NO.	REF. NO.	PART NO.	REF. NO.	PART NO.	REF. NO.	PART NO.	REF. NO.
22F-14139-00	8 - 19	7CN-E1971-00	9 - 9	7CN-E5716-60	6 - 11	93210-13801	9 - 18				
7NN-1414E-32	8 - 10	7CN-E2111-00	5 - 2	7CN-E5723-00	6 - 16	93306-205XE	9 - 2				
7NN-1414J-16	8 - 4	7CN-E2117-00	5 - 6	7CN-E5734-60	6 - 8		9 - 10				
7LG-14150-11	8 - 22	7CN-E2118-00	5 - 7	7CN-E5741-60	6 - 7	93440-06826	4 - 5				
7EG-14159-00	8 - 23	7DH-E2119-01	5 - 14	7CN-E5751-40	6 - 13	93450-17828	3 - 7				
7TD-14162-00	8 - 15	7CN-E2121-00	5 - 3	7CN-E5755-00	6 - 14	94701-00820	1 - 8				
7TD-14181-00	8 - 7	7CN-E2151-00	5 - 8	7CN-E5793-00	6 - 12	95022-10016	9 - 5				
7LG-14185-00	8 - 13	7CN-E2153-00	5 - 4	7CN-E7441-00	3 - 1	95302-06600	12 - 14				
22F-14186-00	8 - 11	7CN-E2154-00	5 - 13	7CN-F4500-20	12 - 16	95302-10700	12 - 21				
7E1-14191-00	8 - 8	7CN-E2155-01	5 - 12	7CN-F4515-20	12 - 20	95602-06615	1 - 2				
1V3-14196-00	8 - 20	7CN-E2157-01	5 - 10	7CN-F4521-20	12 - 18	95702-06500	7 - 12				
7LV-14211-00	8 - 21	7CN-E2158-01	5 - 11	7CN-F4534-00	12 - 17	95802-06008	6 - 15				
73A-14212-00	8 - 6	7CN-E2165-00	5 - 9	7CN-F4544-10	10 - 1	95802-06012	6 - 2				
	8 - 9	7CN-E2170-00	5 - 1	7CA-F8100-01	12 - 1		10 - 4				
7RH-14216-00	8 - 2	7CN-E2621-00	6 - 1	7CN-G1240-40	4 - 17	95802-08012	4 - 28				
7G0-14227-00	8 - 14	7CN-E2651-01	6 - 3	7CN-H2370-00	11 - 10	95822-06008	12 - 9				
7RH-14486-00	8 - 3	7CN-E2684-00	7 - 10	7CN-H5521-50	11 - 3	95822-06012	1 - 14				
1WG-14922-00	8 - 5	7CN-E3557-01	7 - 2	7CN-H5640-01	11 - 2		6 - 4				
7NN-14941-4K	8 - 16	7CN-E3567-01	7 - 3	7CN-H5650-30	11 - 1	95822-06020	11 - 4				
4X8-24565-00	12 - 19	7CN-E3596-00	7 - 1	7CN-H7188-00	11 - 6	95822-06030	11 - 5				
7CN-E1111-01	1 - 1	7CN-E4101-B1	8 - 1	90116-06807	1 - 3	95822-08020	4 - 27				
7CN-E1160-00	1 - 10	7CN-E4411-20	7 - 4	90122-06017	7 - 8	95822-08035	9 - 14				
7CN-E1169-01	1 - 12	7CN-E4412-20	7 - 5	90153-05800	12 - 6	95822-08045	1 - 6				
7CN-E1181-01	1 - 4	7CN-E4422-30	7 - 9	90170-14800	11 - 7	95822-08065	1 - 5				
7CN-E1191-00	1 - 9	7CN-E4451-20	7 - 7	90173-06802	4 - 14	97022-06030	4 - 12				
7CN-E1193-00	1 - 13	7CN-E4468-20	7 - 6	90201-06842	4 - 4	98502-04006	4 - 24				
7CN-E1400-20	2 - 1	7CN-E4477-00	7 - 11		4 - 6	98502-05008	8 - 17				
7CN-E1561-00	3 - 8	7CN-E4613-00	12 - 15	90201-17802	12 - 7	98980-06010	12 - 12				
7CN-E1610-00	3 - 5	7CN-E4628-10	12 - 10	90206-06090	12 - 13	99001-04600	4 - 25				
7CN-E1610-10	3 - 5	7CN-E4708-20	12 - 8	90280-04801	11 - 9	99530-08016	9 - 7				
7CN-E1610-20	3 - 5	7CN-E4711-50	12 - 2	90338-06800	9 - 12	99530-10114	1 - 7				
7CN-E1631-10-A0	3 - 4	7CN-E4766-00	12 - 11	90430-10801	9 - 6						
7CN-E1633-00	3 - 6	7CA-E4788-00	12 - 4	90430-17801	9 - 16						
7CN-E1635-00	3 - 4	7CA-E4799-00	12 - 3	90445-10308	10 - 2						
7CN-E1636-00	3 - 4	7CN-E479E-10	12 - 5	90445-13800	1 - 11						
7CN-E1650-11	3 - 2	7CN-E4922-01	4 - 18	90462-05061	6 - 17						
7CN-E1654-00	3 - 3	7CN-E4997-00	8 - 12	90467-09806	10 - 3						
7CN-E1913-00	4 - 2	7CN-E5111-30	9 - 1	90468-18800	4 - 10						
7CN-E1914-00	4 - 3	7CN-E5121-A0	9 - 1	90501-090A8	4 - 19						
7CN-E1917-00	4 - 7	7CN-E5362-30	9 - 17	90501-20800	5 - 5						
7CN-E1922-00	4 - 8	7BX-E536A-00	9 - 15	90506-04800	4 - 16						
7CN-E1924-10	4 - 11	7CN-E5411-90	9 - 8	92902-05100	8 - 18						
7CN-E1925-30	4 - 21	7CN-E5451-01	9 - 13	92902-06200	4 - 9						
7CN-E1928-00	4 - 15	7CN-E5555-00	4 - 20	92902-06600	4 - 13						
7CN-E1932-00	4 - 23	7CN-E5710-60	6 - 5	92902-14200	11 - 8						
7CN-E1932-10	4 - 22	7CN-E5713-00	6 - 9	93102-25805	9 - 11						
7CN-E1951-02	4 - 26	7CN-E5714-60	6 - 6	93102-25806	9 - 3						
7CN-E1970-00	4 - 1	7CN-E5715-60	6 - 10	93104-06800	9 - 4						