

PARTS CATALOGUE

MZ175L3U (7CPC) CHINA



1F7CP-400E1

()

MZ175L3U
PARTS CATALOGUE
©2007 by Yamaha Motor Co., Ltd.
1st edition, June 2007
All rights reserved.
Any reprinting or unauthorized use
without the written permission of
Yamaha Motor Co., Ltd.
is expressly prohibited.
Printed in Japan.

FOREWORD

This Parts Catalogue is related to the parts for the model(s) on the cover page. When you are ordering replacement parts, please refer to this Parts Catalogue and quote both part numbers and part names correctly.

1. Modifications or additions which have been made after the issue of the Parts Catalogue will be announced in the Parts News.

It is advisable that you make the necessary corrections to the Parts Catalogue according to the Parts News.

2. Abbreviations

The following abbreviations are used in this Parts Catalogue.

“UR” Use specified parts number.

“UN” Use as many as needed.

“AP” Alternate Parts

“LM” Locally Made (Parts need to be ordered locally)

“F#” Frame No. (Applicable machine No.)

“O/S” Over Size

3. The number of components for assembly

- Parts, which are to be supplied in an assembly, are listed with a dot (.) in front of the part name as shown below.
- The numeral appearing to the right of each component part indicates the quantity of parts for each assembly unit.

PART NO.	DESCRIPTION	Q'TY	REMARKS
2F5-83310-60	FRONT FLASHER LIGHT ASSY	2	
115-83311-60	.BULB (6V-18W)	1	

4. Applicable colours of graphics are represented in the “REMARKS” as shown below.

PART NO.	DESCRIPTION	Q'TY	REMARKS
2N4-24110-00-X5	FUEL TANK COMP.	2	MXR
3J1-24240-10	.GRAPHIC, FUEL TANK	1	FOR MXR

5. Note that the illustrations for reference in finding parts numbers are not to be used for assembling. When assembling, please use the applicable service manual.

6. The asterisk (*) before a reference number indicates modified items after the first edition.

FOREWORD

Engine Serial No.

This parts catalogue is related to the parts for the models in the list below.

MODEL CODE	MODEL NAME	SPECIFICATION (OUT LINE)	ENGINE SERIAL NO.
7CPC	MZ175L3U	P.T.O. SHAFT L TYPE, MOUNT FACE A (M8) TANK LESS	7CPC-2000101

CONTENTS

CYLINDER	1
CRANKSHAFT	2
CRANKSHAFT & PISTON	3
GOVERNOR 1	4
CAMSHAFT & VALVE	5
AIR SHROUD & STARTER	6
INTAKE	7
CARBURETOR	8
CRANKCASE	9
MAGNETO	10
STARTING MOTOR	11
EMBLEM & LABEL	12
BODY FITTING	13
INDEX	
NUMERICAL INDEX	14

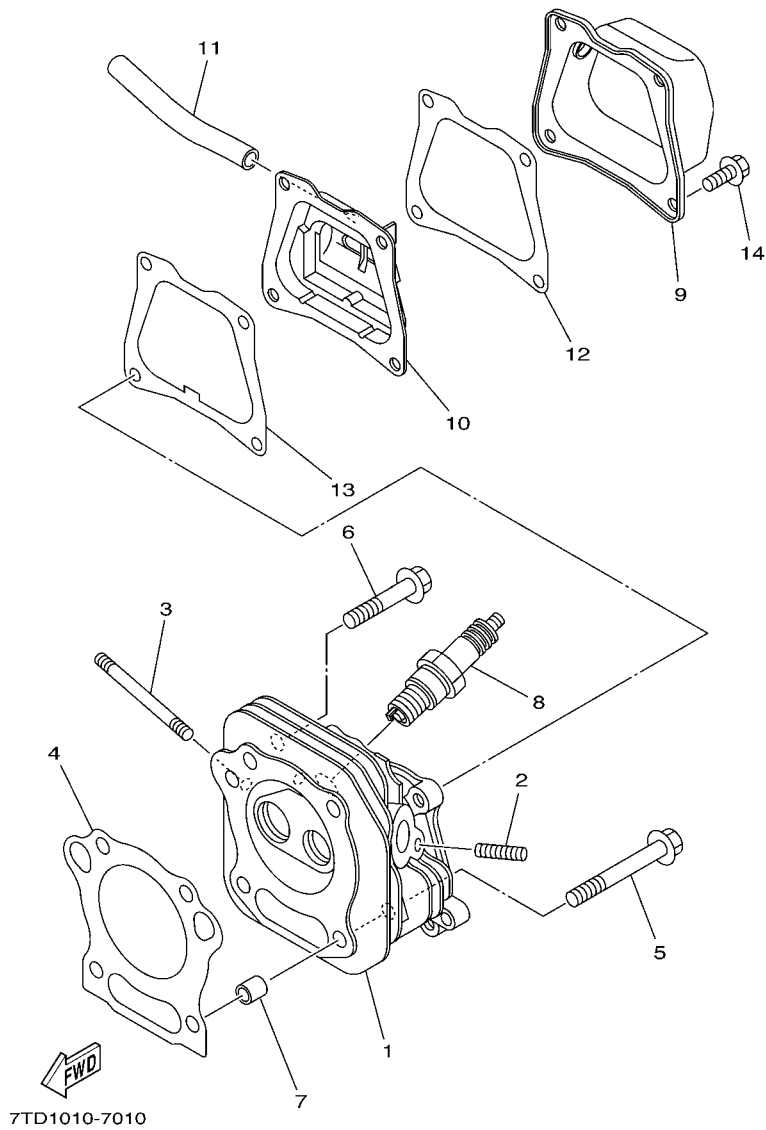


FIG. 1 CYLINDER

REF. NO.	PART NO.	DESCRIPTION	7CPC				REMARKS
1	7CN-E1111-00	HEAD, CYLINDER 1	1				
2	95607-06615	BOLT, STUD	2				
3	90116-06807	BOLT, STUD	2				
4	7CN-E1181-00	GASKET, CYLINDER HEAD 1	1				
5	95827-08065	BOLT, FLANGE	2				
6	95827-08045	BOLT, FLANGE	2				
7	99530-10114	PIN, DOWEL	2				
8	94702-00331	PLUG, SPARK (NGK BPR4ES)	1				
9	7CN-E1191-00	COVER, CYLINDER HEAD 1	1				
10	7CN-E1160-00	BREATHER ASSY	1				
11	90445-13800	HOSE	1				
12	7CN-E1169-00	GASKET, BREATHER COVER	1				
13	7CN-E1193-00	GASKET, HEAD COVER 1	1				
14	95827-06012	BOLT, FLANGE	4				

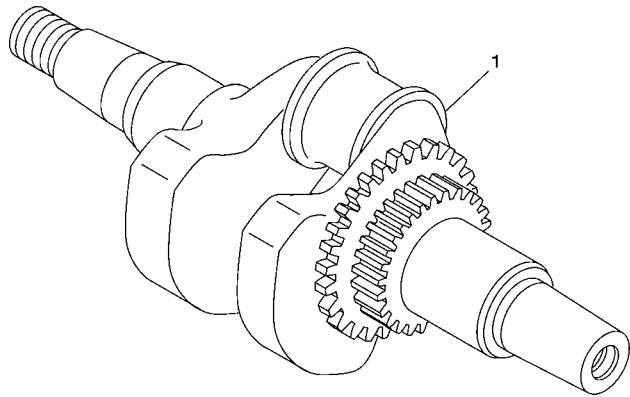
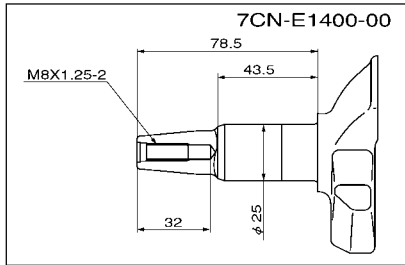
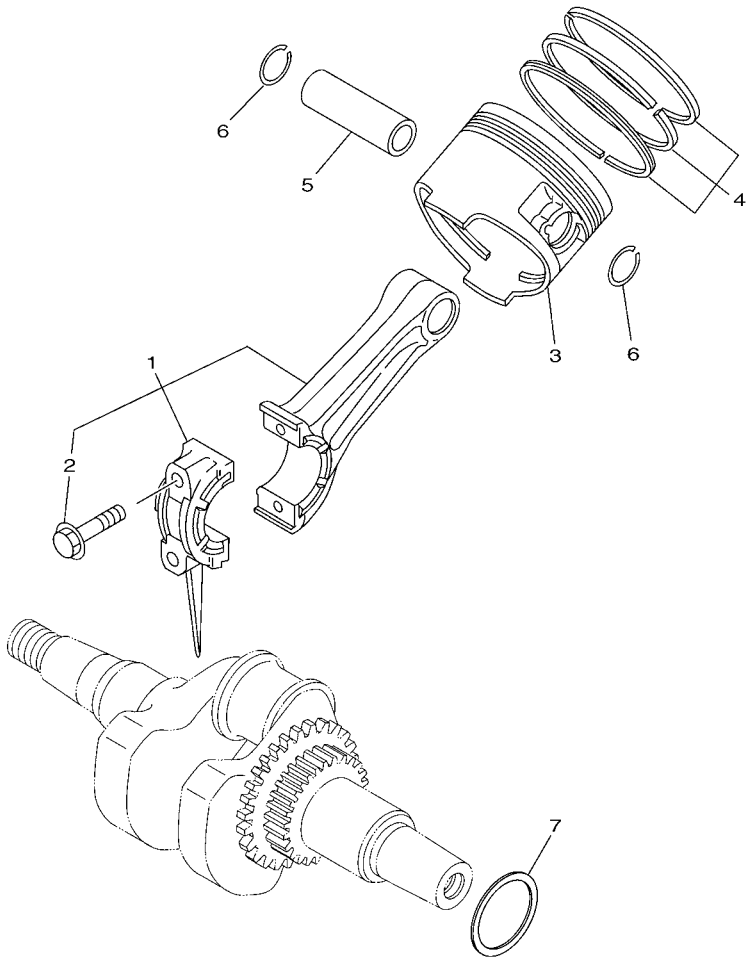


FIG. 2 CRANKSHAFT

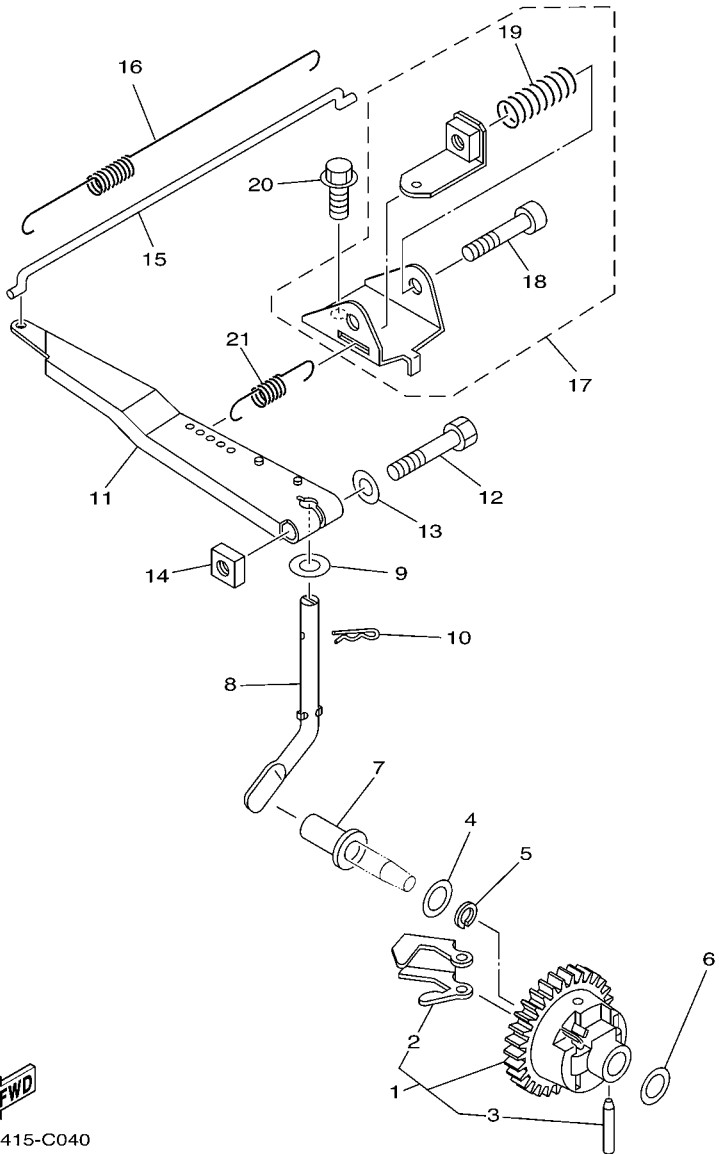
REF. NO.	PART NO.	DESCRIPTION	7CPC				REMARKS
1	7CN-E1400-00	CRANKSHAFT ASSY	1				




 7CPC400-F030

FIG. 3 CRANKSHAFT & PISTON

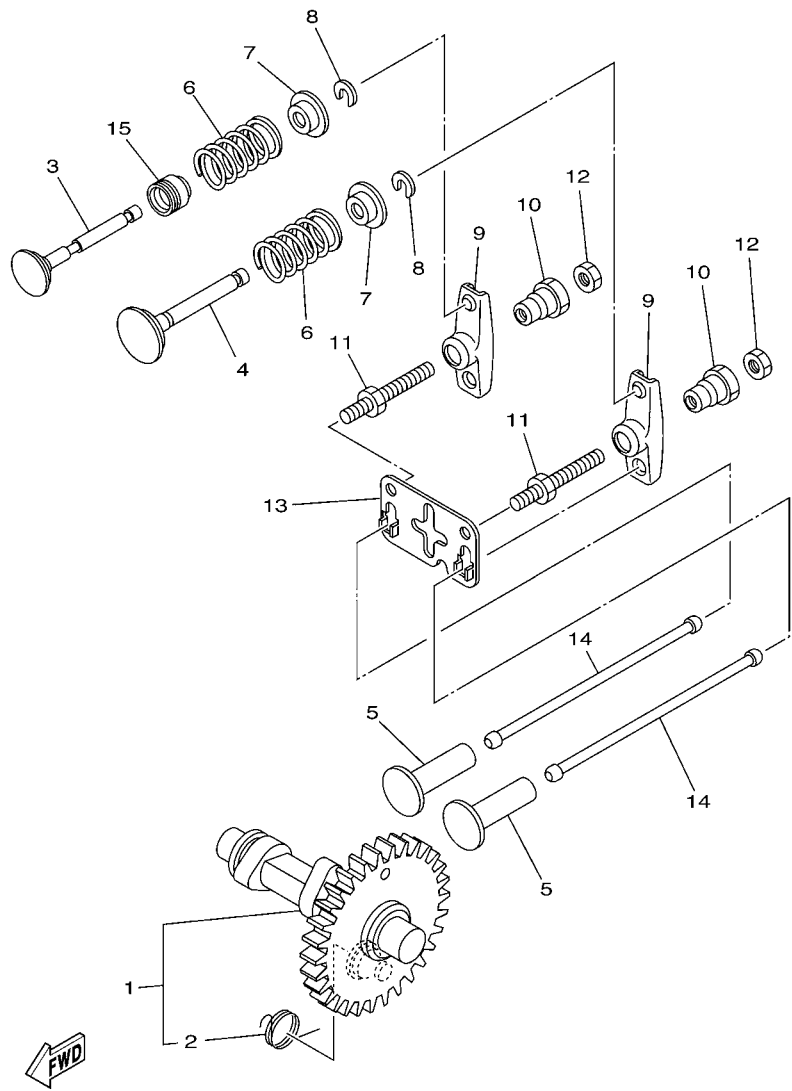
REF. NO.	PART NO.	DESCRIPTION	7CPC				REMARKS
1	7CN-E1650-10	CONNECTING ROD ASSY	1				
2	7CN-E1654-00	BOLT, CONNECTING ROD	2				
3	7CN-E1631-00	PISTON (STD)	1				
	7CN-E1635-00	PISTON (0.25MM O/S)	1				AP
	7CN-E1636-00	PISTON (0.50MM O/S)	1				AP
4	7CN-E1610-00	PISTON RING SET (STD)	1				
	7CN-E1610-10	PISTON RING SET (0.25MM O/S)	1				AP
	7CN-E1610-20	PISTON RING SET (0.50MM O/S)	1				AP
5	7CN-E1633-00	PIN, PISTON	1				
6	93450-17828	CIRCLIP	2				
7	7CN-E1561-00	SHIM, CRANK 1 (T=0.1)	1				UN




7CNC415-C040

FIG. 4 GOVERNOR 1

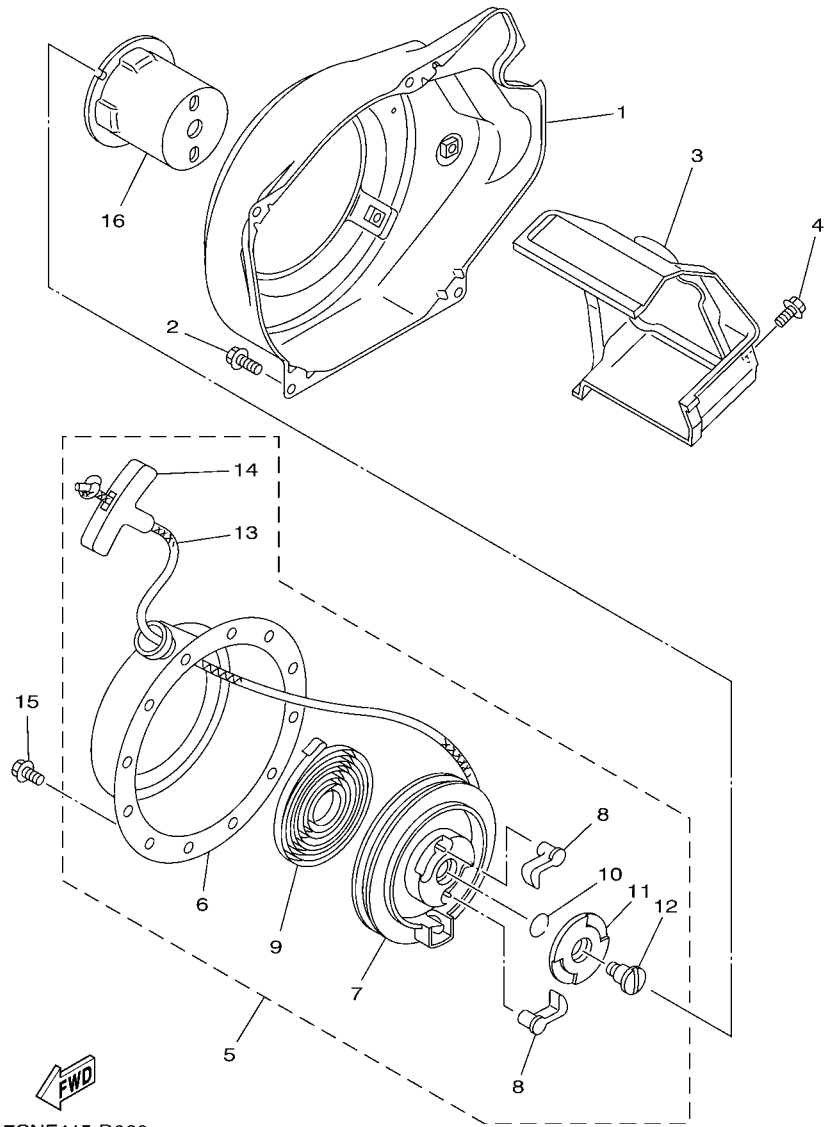
REF. NO.	PART NO.	DESCRIPTION	7CPC				REMARKS
1	7CN-E1970-00	FLYWEIGHT SHAFT ASSY.	1				
2	7CN-E1913-00	.WEIGHT	2				
3	7CN-E1914-00	.SHAFT, WEIGHT	2				
4	90201-06842	WASHER, PLATE	1				
5	93440-06826	CIRCLIP	1				
6	90201-06842	WASHER, PLATE	1				
7	7CN-E1917-00	COLLAR	1				
8	7CN-E1922-00	FORK, GOVERNOR	1				
9	92907-06200	WASHER	1				
10	90468-18800	CLIP	1				
11	7CN-E1924-00	ARM, GOVERNOR	1				
12	97027-06030	BOLT	1				
13	92907-06600	WASHER, PLATE	1				
14	90173-06802	NUT, SQUARE	1				
15	7CN-E1928-00	ROD, LINK	1				
16	90506-04800	SPRING, TENSION	1				
17	7CN-E1950-00	ADJUST PLATE COMP.	1				
18	98507-06035	.SCREW, PAN HEAD	1				
19	90501-10812	.SPRING, COMPRESSION	1				
20	95827-06016	BOLT, FLANGE	1				
21	90506-08801	SPRING, TENSION	1				



7WC1110-1070

FIG. 5 CAMSHAFT & VALVE

REF. NO.	PART NO.	DESCRIPTION	7CPC				REMARKS
1	7CN-E2170-00	CAMSHAFT ASSY 1	1				
2	7CN-E2287-00	.SPRING, DECOMPRESSION	1				
3	7CN-E2111-00	VALVE, INTAKE	1				
4	7CN-E2121-00	VALVE, EXHAUST	1				
5	7CN-E2153-00	LIFTER, VALVE	2				
6	90501-20800	SPRING, COMPRESSION	2				
7	7CN-E2117-00	RETAINER, VALVE SPRING	2				
8	7CN-E2118-00	COTTER, VALVE	2				
9	7CN-E2151-00	ARM, VALVE ROCKER	2				
10	7CN-E2165-00	PIVOT, ROCKER ARM	2				
11	7CN-E2157-00	BOLT	2				
12	7CN-E2158-00	NUT, LOCK	2				
13	7CN-E2155-01	GUIDE, PUSH ROD	1				
14	7CN-E2154-00	ROD, VALVE PUSH	2				
15	7CN-E2119-00	SEAL, VALVE STEM	1				

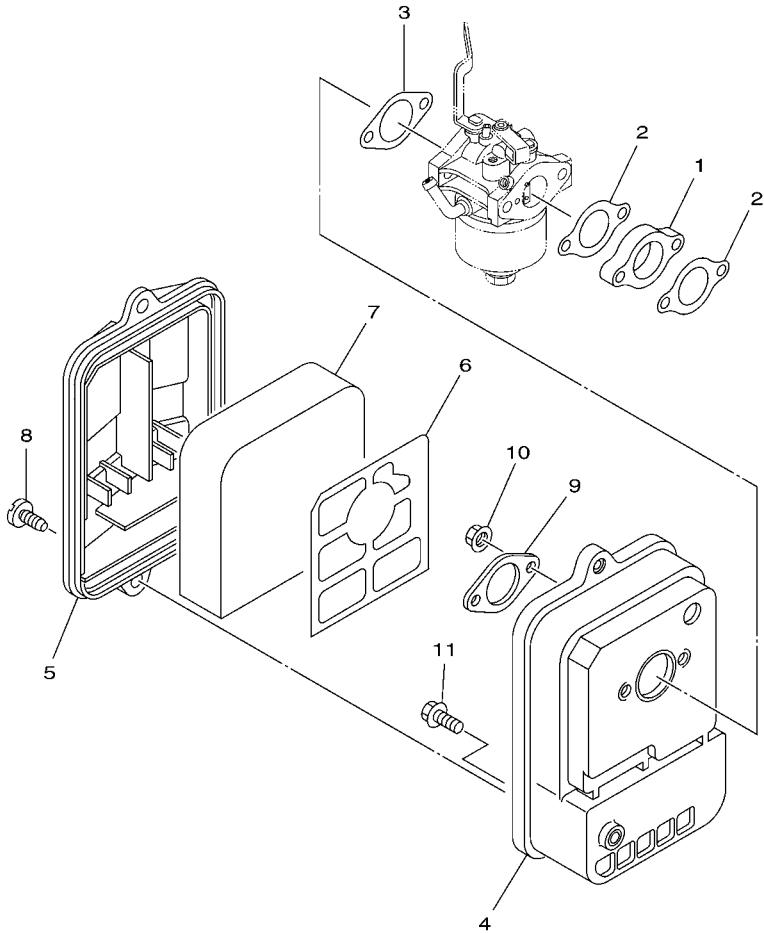


7CNF415-D060

FIG. 6 AIR SHROUD & STARTER

REF. NO.	PART NO.	DESCRIPTION	7CPC				REMARKS
1	7CN-E2621-00	CASE, FAN	1				
2	95807-06012	BOLT, FLANGE	4				
3	7CN-E2651-01	AIR SHROUD, CYLINDER 1	1				
4	95827-06012	BOLT, FLANGE	1				
5	7CN-E5710-01	STARTER ASSY	1				
6	7CN-E5711-00	.CASE, STARTER	1				
7	7CN-E5714-01	.DRUM, SHEAVE	1				
8	7CN-E5741-01	.PAWL, DRIVE	2				
9	7CN-E5713-00	.SPRING, STARTER	1				
10	7CN-E5715-00	.SPRING, FRICTION	1				
11	7CN-E5716-01	.PLATE, DRIVE	1				
12	7CN-E5793-00	.SCREW	1				
13	7CN-E5751-00	.WIRE, STARTER	1				
14	7CN-E5755-00	.HANDLE, STARTER	1				
15	95807-06008	BOLT, FLANGE	3				
16	7CN-E5723-00	PULLEY, STARTER	1				

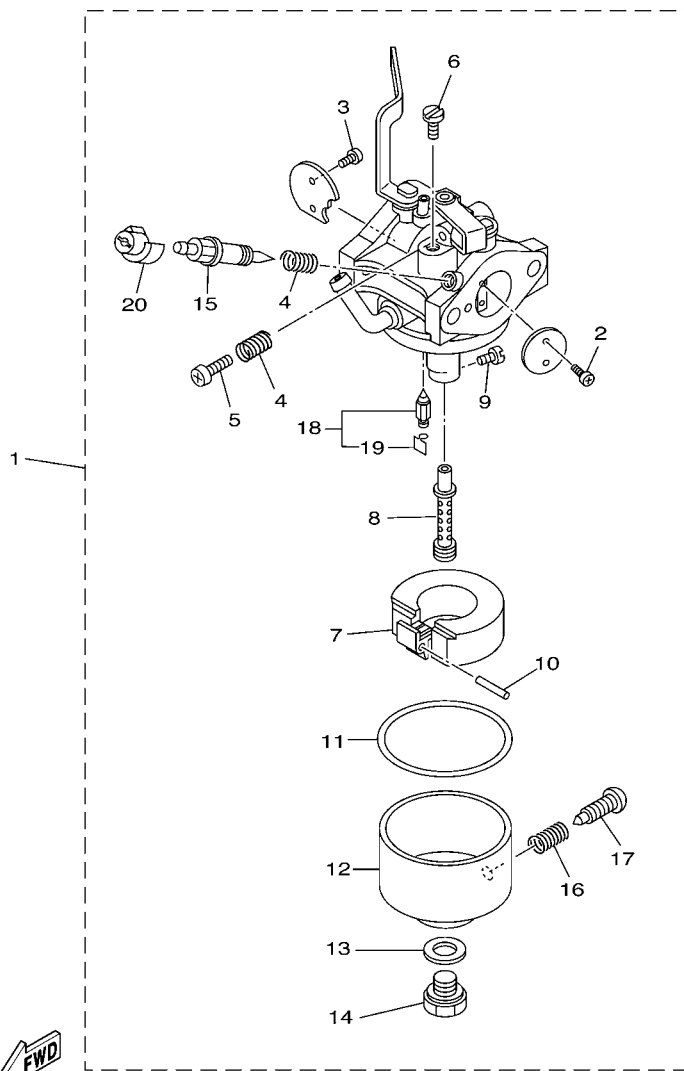
FIG. 7 INTAKE



 7CPC400-F070

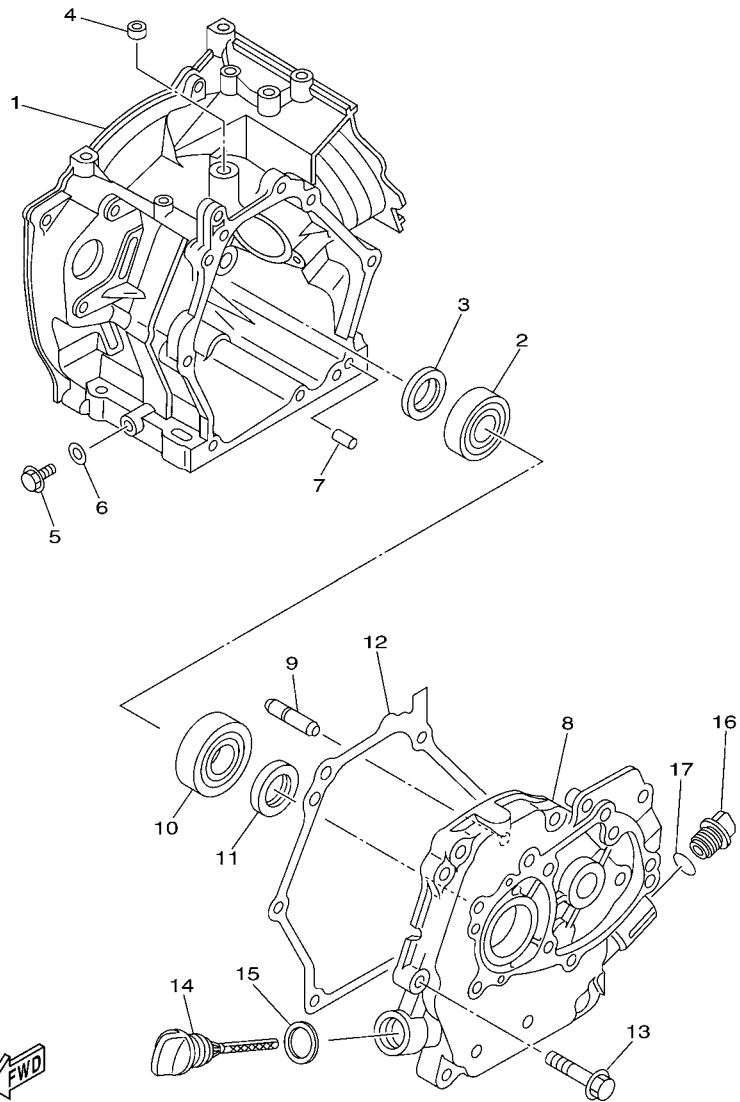
REF. NO.	PART NO.	DESCRIPTION	7CPC				REMARKS
1	7CN-E3596-00	JOINT, CARBURETOR 2	1				
2	7CN-E3557-00	GASKET	2				
3	7CN-E3567-00	GASKET	1				
4	7CN-E4411-00	CASE, AIR CLEANER 1	1				
5	7CN-E4412-00	CAP, CLEANER CASE 1	1				
6	7CN-E4468-01	PLATE,ELEMENT FITTING	1				
7	7CN-E4451-00	ELEMENT, AIR CLEANER	1				
8	90154-06823	SCREW, BINDING	2				
9	7CN-E4477-00	PLATE	1				
10	95707-06500	NUT, FLANGE	2				
11	95807-06016	BOLT, FLANGE	1				

FIG. 8 CARBURETOR



7CNB400-C090

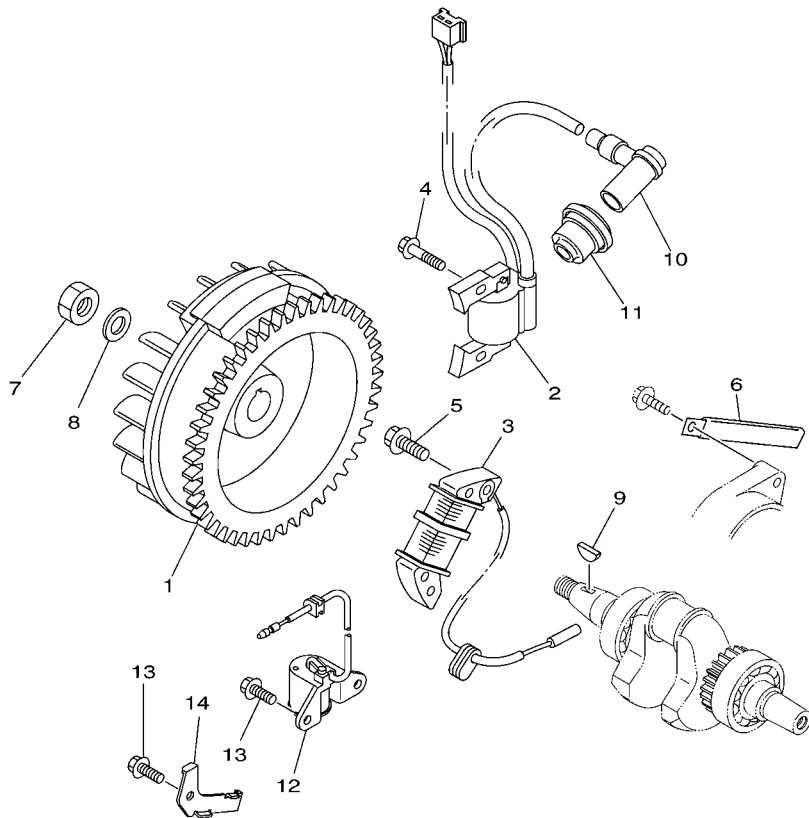
REF. NO.	PART NO.	DESCRIPTION	7CPC				REMARKS
1	7CN-E4101-10	CARBURETOR ASSY 1	1				
2	7RH-14216-00	.SCREW	2				
3	7RH-14486-00	.SCREW, ROD	2				
4	73A-14212-00	.SPRING	2				
5	1WG-14922-00	.SCREW, THROTTLE	1				
6	620-1414J-16-A0	.JET, PILOT (#41.3)	1				
7	7LG-14185-00	.FLOAT	1				
8	7NJ-1495F-1A	.NOZZLE, MAIN	1				
9	1HX-1423E-36-A0	.JET, MAIN (#91.3)	1				
10	22F-14186-00	.PIN, FLOAT	1				
11	7G0-14184-00	.GASKET, FLOAT CHAMBER	1				
12	7EG-14181-00	.BODY, FLOAT CHAMBER 1	1				
13	7G0-14227-00	.WASHER	1				
14	7NJ-14162-00	.BOLT, HOLDING	1				
15	7NJ-14211-00	.SCREW, PILOT ADJUSTING	1				
16	73A-14212-00	.SPRING	1				
17	7E1-14191-00	.PLUG, DRAIN	1				
18	7LG-14150-11	.NEEDLE ASSY	1				
19	7EG-14159-00	..CLIP	1				
20	7LV-14118-00	.CAP	1				



7CPC400-F090

FIG. 9 CRANKCASE

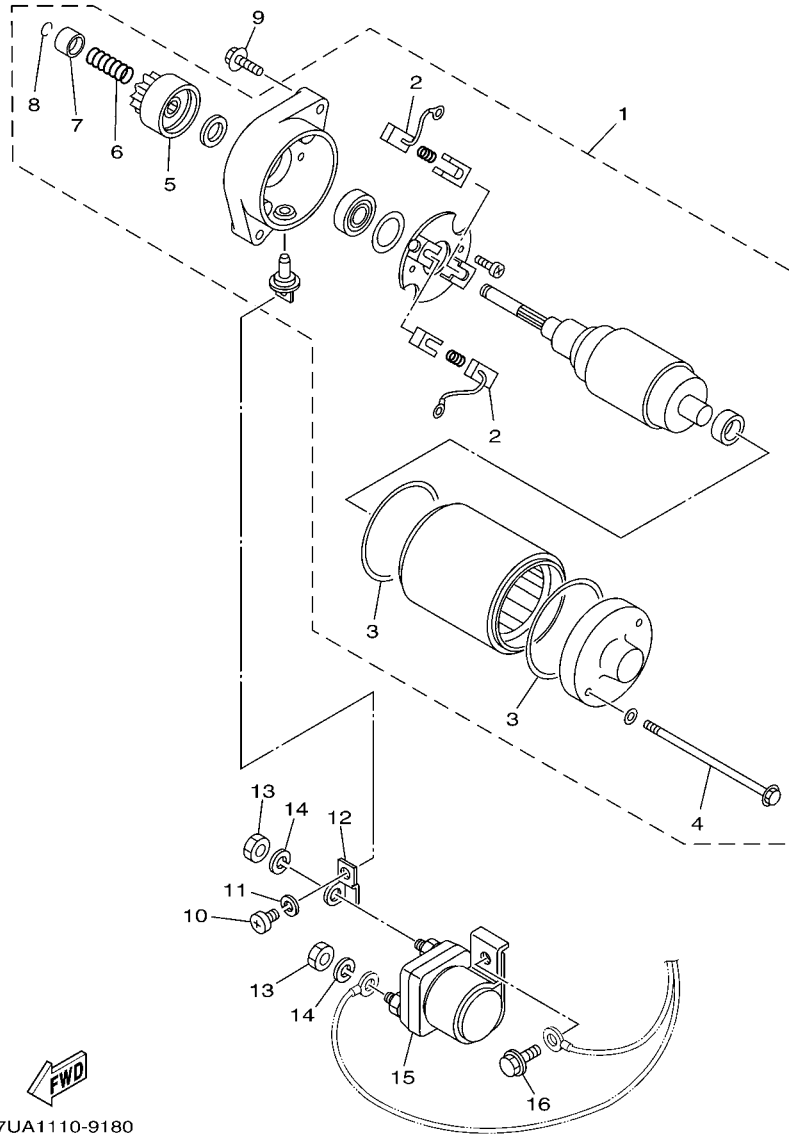
REF. NO.	PART NO.	DESCRIPTION	7CPC				REMARKS
1	7CN-E5111-20	CRANKCASE 1	1				
2	93306-205XE	BEARING	1				
3	93102-25806	OIL SEAL	1				
4	93104-06800	OIL SEAL	1				
5	95027-10016	BOLT, FLANGE	2				
6	90430-10801	GASKET	2				
7	99530-08016	PIN, DOWEL	2				
8	7CN-E5411-20	COVER, CRANKCASE 1	1				
9	7CN-E1971-00	SHAFT, FLYWEIGHT	1				
10	93306-205XE	BEARING	1				
11	93102-25805	OIL SEAL	1				
12	7CN-E5451-00	GASKET, CRANKCASE COVER 1	1				
13	95827-08035	BOLT, FLANGE	6				
14	7CN-E5362-10	PLUG, OIL LEVEL	1				
15	90430-17801	GASKET	1				
16	7CN-E5362-00	PLUG, OIL LEVEL	1				
17	93210-13801	O-RING	1				



FWD
7CPC400-F130

FIG. 10 MAGNETO

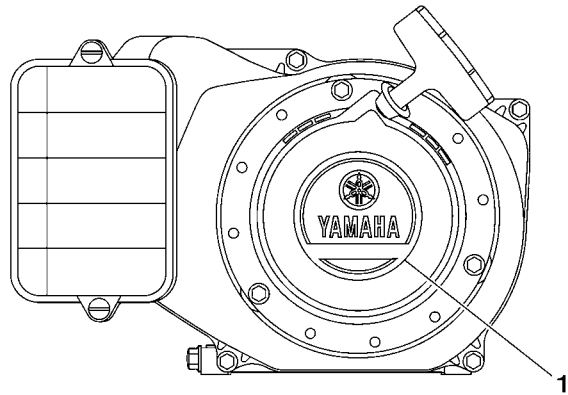
REF. NO.	PART NO.	DESCRIPTION	7CPC				REMARKS
1	7CN-H5650-40	ROTOR ASSY	1				
2	7CN-H5640-00	T.C.I. UNIT ASSY	1				
3	7CN-H5521-40	COIL ASSY	1				
4	95827-06020	BOLT, FLANGE	2				
5	95827-06025	BOLT, FLANGE	2				
6	90462-05061	CLAMP	1				
7	90170-14800	NUT	1				
8	92907-14200	WASHER	1				
9	90280-04801	KEY, WOODRUFF	1				
10	7CN-H2370-00	PLUG CAP ASSY	1				
11	7CP-H2372-00	SEAL, PLUG CAP	1				
12	7CN-H5720-00	OIL LEVEL GAUGE ASSY	1				
13	95827-06012	BOLT, FLANGE	3				
14	7CN-H5724-00	CLAMP	1				



7UA1110-9180

FIG. 11 STARTING MOTOR

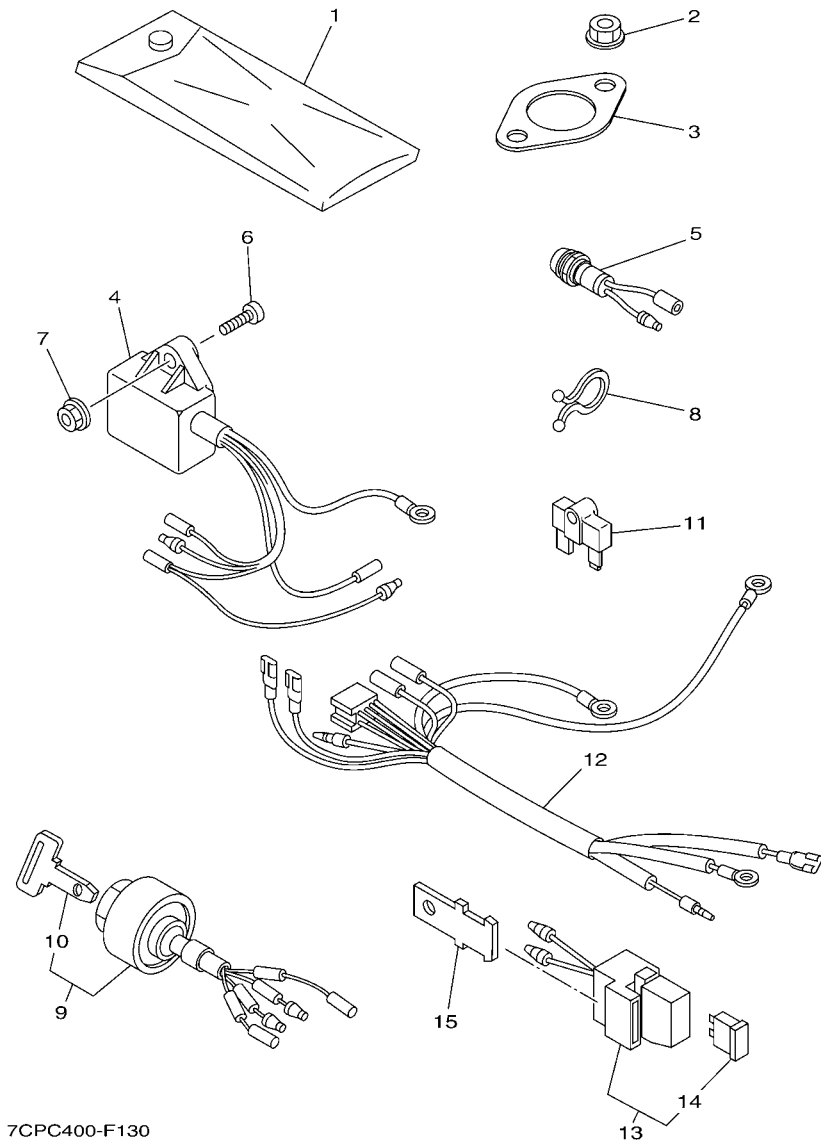
REF. NO.	PART NO.	DESCRIPTION	7CPC				REMARKS
1	7CP-H1800-10	STARTING MOTOR ASSY	1				
2	7CP-H1801-00	.BRUSH SET	1				
3	7CP-H181Y-00	.GASKET, YOKE	2				
4	7CP-H1828-00	.BOLT 2	2				
5	7CP-H1807-00	.GEAR ASSY, STARTING MOTOR	1				
6	7CP-H1858-00	.SPRING, RETURN	1				
7	7CP-H1859-00	.STOPPER, PINION	1				
8	7CP-H1833-00	.RING, STOP	1				
9	95827-06020	BOLT, FLANGE	2				
10	98507-05008	SCREW, PAN HEAD	1				
11	92907-05100	WASHER, SPRING	1				
12	7CN-H715B-00	TERMINAL 1	1				
13	95307-06700	NUT	2				
14	92907-06100	WASHER, SPRING	2				
15	7CN-H1940-00	STARTER RELAY ASSY	1				
16	95807-06016	BOLT, FLANGE	1				



7CPC400-F120

FIG. 12 EMBLEM & LABEL

REF. NO.	PART NO.	DESCRIPTION	7CPC				REMARKS
1	7CN-E2629-20	EMBLEM	1				
<hr style="border-top: 1px dashed black;"/>							
<hr style="border-top: 1px dashed black;"/>							
<hr style="border-top: 1px dashed black;"/>							
<hr style="border-top: 1px dashed black;"/>							
<hr style="border-top: 1px dashed black;"/>							
<hr style="border-top: 1px dashed black;"/>							
<hr style="border-top: 1px dashed black;"/>							
<hr style="border-top: 1px dashed black;"/>							
<hr style="border-top: 1px dashed black;"/>							
<hr style="border-top: 1px dashed black;"/>							
<hr style="border-top: 1px dashed black;"/>							



7CPC400-F130

FIG. 13 BODY FITTING

REF. NO.	PART NO.	DESCRIPTION	7CPC				REMARKS
1	7CA-F8100-00	TOOL KIT	1				
2	95307-06600	NUT	2				
3	7CN-E4613-00	GASKET, EXHAUST PIPE	1				
4	7CN-H5690-00	OIL WARNING UNIT	1				
5	7CA-H5770-01	OIL PILOT LIGHT ASSY	1				
6	7CT-H2379-00	SCREW, UNIT	1				
7	95704-06500	NUT, FLANGE	1				
8	90464-07803	CLAMP	1				
9	7LP-82510-00	MAIN SWITCH ASSY	1				
10	73A-82511-00	.KEY, MAIN SWITCH	2				
11	7CU-H1970-00	RECTIFIER ASSY	1				
12	7CP-H2507-10	WIRE, LEAD	1				
13	7CU-H2150-00	FUSE HOLDER ASSY	1				
14	7CU-H2151-00	.FUSE	2				
15	7CU-H2588-00	PLATE	1				

NUMERICAL INDEX

PART NO.	REF. NO.	PART NO.	REF. NO.	PART NO.	REF. NO.	PART NO.	REF. NO.	PART NO.	REF. NO.	PART NO.	REF. NO.
7LV-14118-00	8 - 20	7CN-E2117-00	5 - 7	7CP-H1833-00	11 - 8	93440-06826	4 - 5				
620-1414J-16-A0	8 - 6	7CN-E2118-00	5 - 8	7CP-H1858-00	11 - 6	93450-17828	3 - 6				
7LG-14150-11	8 - 18	7CN-E2119-00	5 - 15	7CP-H1859-00	11 - 7	94702-00331	1 - 8				
7EG-14159-00	8 - 19	7CN-E2121-00	5 - 4	7CN-H1940-00	11 - 15	95027-10016	9 - 5				
7NJ-14162-00	8 - 14	7CN-E2151-00	5 - 9	7CU-H1970-00	13 - 11	95307-06600	13 - 2				
7EG-14181-00	8 - 12	7CN-E2153-00	5 - 5	7CU-H2150-00	13 - 13	95307-06700	11 - 13				
7G0-14184-00	8 - 11	7CN-E2154-00	5 - 14	7CU-H2151-00	13 - 14	95607-06615	1 - 2				
7LG-14185-00	8 - 7	7CN-E2155-01	5 - 13	7CN-H2370-00	10 - 10	95704-06500	13 - 7				
22F-14186-00	8 - 10	7CN-E2157-00	5 - 11	7CP-H2372-00	10 - 11	95707-06500	7 - 10				
7E1-14191-00	8 - 17	7CN-E2158-00	5 - 12	7CT-H2379-00	13 - 6	95807-06008	6 - 15				
7NJ-14211-00	8 - 15	7CN-E2165-00	5 - 10	7CP-H2507-10	13 - 12	95807-06012	6 - 2				
73A-14212-00	8 - 4	7CN-E2170-00	5 - 1	7CU-H2588-00	13 - 15	95807-06016	7 - 11				
	8 - 16	7CN-E2287-00	5 - 2	7CN-H5521-40	10 - 3		11 - 16				
7RH-14216-00	8 - 2	7CN-E2621-00	6 - 1	7CN-H5640-00	10 - 2	95827-06012	1 - 14				
7G0-14227-00	8 - 13	7CN-E2629-20	12 - 1	7CN-H5650-40	10 - 1		6 - 4				
1HX-1423E-36-A0	8 - 9	7CN-E2651-01	6 - 3	7CN-H5690-00	13 - 4		10 - 13				
7RH-14486-00	8 - 3	7CN-E3557-00	7 - 2	7CN-H5720-00	10 - 12	95827-06016	4 - 20				
1WG-14922-00	8 - 5	7CN-E3567-00	7 - 3	7CN-H5724-00	10 - 14	95827-06020	10 - 4				
7NJ-1495F-1A	8 - 8	7CN-E3596-00	7 - 1	7CA-H5770-01	13 - 5		11 - 9				
7LP-82510-00	13 - 9	7CN-E4101-10	8 - 1	7CN-H715B-00	11 - 12	95827-06025	10 - 5				
73A-82511-00	13 - 10	7CN-E4411-00	7 - 4	90116-06807	1 - 3	95827-08035	9 - 13				
7CN-E1111-00	1 - 1	7CN-E4412-00	7 - 5	90154-06823	7 - 8	95827-08045	1 - 6				
7CN-E1160-00	1 - 10	7CN-E4451-00	7 - 7	90170-14800	10 - 7	95827-08065	1 - 5				
7CN-E1169-00	1 - 12	7CN-E4468-01	7 - 6	90173-06802	4 - 14	97027-06030	4 - 12				
7CN-E1181-00	1 - 4	7CN-E4477-00	7 - 9	90201-06842	4 - 4	98507-05008	11 - 10				
7CN-E1191-00	1 - 9	7CN-E4613-00	13 - 3		4 - 6	98507-06035	4 - 18				
7CN-E1193-00	1 - 13	7CN-E5111-20	9 - 1	90280-04801	10 - 9	99530-08016	9 - 7				
7CN-E1400-00	2 - 1	7CN-E5362-00	9 - 16	90430-10801	9 - 6	99530-10114	1 - 7				
7CN-E1561-00	3 - 7	7CN-E5362-10	9 - 14	90430-17801	9 - 15						
7CN-E1610-00	3 - 4	7CN-E5411-20	9 - 8	90445-13800	1 - 11						
7CN-E1610-10	3 - 4	7CN-E5451-00	9 - 12	90462-05061	10 - 6						
7CN-E1610-20	3 - 4	7CN-E5710-01	6 - 5	90464-07803	13 - 8						
7CN-E1631-00	3 - 3	7CN-E5711-00	6 - 6	90468-18800	4 - 10						
7CN-E1633-00	3 - 5	7CN-E5713-00	6 - 9	90501-10812	4 - 19						
7CN-E1635-00	3 - 3	7CN-E5714-01	6 - 7	90501-20800	5 - 6						
7CN-E1636-00	3 - 3	7CN-E5715-00	6 - 10	90506-04800	4 - 16						
7CN-E1650-10	3 - 1	7CN-E5716-01	6 - 11	90506-08801	4 - 21						
7CN-E1654-00	3 - 2	7CN-E5723-00	6 - 16	92907-05100	11 - 11						
7CN-E1913-00	4 - 2	7CN-E5741-01	6 - 8	92907-06100	11 - 14						
7CN-E1914-00	4 - 3	7CN-E5751-00	6 - 13	92907-06200	4 - 9						
7CN-E1917-00	4 - 7	7CN-E5755-00	6 - 14	92907-06600	4 - 13						
7CN-E1922-00	4 - 8	7CN-E5793-00	6 - 12	92907-14200	10 - 8						
7CN-E1924-00	4 - 11	7CA-F8100-00	13 - 1	93102-25805	9 - 11						
7CN-E1928-00	4 - 15	7CP-H1800-10	11 - 1	93102-25806	9 - 3						
7CN-E1950-00	4 - 17	7CP-H1801-00	11 - 2	93104-06800	9 - 4						
7CN-E1970-00	4 - 1	7CP-H1807-00	11 - 5	93210-13801	9 - 17						
7CN-E1971-00	9 - 9	7CP-H181Y-00	11 - 3	93306-205XE	9 - 2						
7CN-E2111-00	5 - 3	7CP-H1828-00	11 - 4		9 - 10						